

2025

**MASTER
CATALOG**


RICE LAKE[®]
WEIGHING SYSTEMS

800-472-6703

www.ricelake.com

Train for Excellence

ENROLL NOW


RICE LAKE WEIGHING SYSTEMS' TRAINING COURSES offer something for technicians of all experience levels.

Our topics include everything from general electronic systems to indicator programming and weighing industry standards—there are even specialty classes focused on unique product lines.

Learn from Rice Lake experts and gain skills you and your team can use during real-world sales and service calls in 2025 and beyond!

2025
Rice Lake, WI

RICE LAKE WEIGHING SYSTEMS

| | | |
|--|--|--|
| ES-111 Fundamentals of Electronic Systems and Load Cells January 6-10 March 3-7 April 14-18 June 23-27 October 6-10 November 10-14 | ES-300 1280 Enterprise™ Indicator Programming June 2-6 October 13-17 | AW-111 Automatic Wrapper Training March 17-21 May 12-18 July 21-25 September 8-12 December 8-12 |
| ES-222 Advanced Scale System Troubleshooting January 20-24 April 28-May 2 July 7-11 September 22-26 | ES-301 i-Rite Indicator Programming June 9-13 October 20-24 | AW-112 Micro-Wrapper Training February 17-21 March 31-April 4 August 4-8 November 17-21 |
| RS-111 Retail Scales Training February 3-7 May 5-9 August 18-22 |  | |

Online

HB44 Online
Handbook 44 Training

SC-111
Online Setpoint and Batching

RICE LAKE TECHNICAL TRAINING SEMINARS

View our complete training schedule, read course descriptions and register today at:



www.ricelake.com/training



To speak with our training coordinator, call:

800-472-6703

What's New

in your 2025 Master Catalog...



Belt Scales

SCT-4XD page 159
Belt Scale Integrator



Load Cells / Weigh Modules

- RL1600 HE Series page 695
Medium Capacity with RL77032SS HE Load Cells
- RL1600 Series with RL77032 page 691
Mild Steel, Weigh Modules
- RL1600 Series with RL77032SS ...page 693
Stainless Steel, Weigh Modules
- RL77032 page 738
Alloy Steel, Environmentally Sealed, IP67
- RL77032SS page 739
Stainless Steel, Environmentally Sealed, IP67
- RL77032SS HE page 740
Stainless Steel, Hermetically Sealed, IP69K
- RL82021 page 755
Stainless Steel, Hermetically Sealed, IP69K



Health Scales

150-10-8 page 483
Digital Physician Scale



Dimensioning

iDimension® Plus/Plus OEM page 342
Static Dimensioning System

Table of Contents

| | |
|---|----|
| Shipping Information..... | 8 |
| Customer Service Contacts..... | 10 |
| Trademarks..... | 14 |
| Terms and Conditions..... | 15 |
| Warranty and Limitation of Liability..... | 17 |

Automated Ticketing

| | |
|--|----|
| Table of Contents..... | 21 |
| 1280 Truck Scale Kiosk..... | 22 |
| Weigh Out/Printer Kiosk..... | 23 |
| Weigh/Check In Kiosk..... | 24 |
| Printer Kiosk..... | 24 |
| <i>Direct Thermal Printer Kiosk</i> | |
| Printer Kiosk..... | 25 |
| <i>Thermal-transfer Printer Kiosk</i> | |
| Intercom Kiosk..... | 26 |
| Network Cameras..... | 26 |
| Network Components..... | 27 |
| Remote HID Box..... | 28 |
| HID Long Range Readers..... | 28 |
| RFID..... | 29 |
| Multiprotocol Rail Reader and Parapanel Antenna..... | 29 |
| RFID Access Tags..... | 30 |
| RFID Transportation Tags..... | 30 |
| HID RFID Cards..... | 31 |
| HID RFID Readers..... | 31 |
| OnTrak® Enterprise..... | 32 |
| OnTrak®..... | 33 |
| Kiosk Safety Swing-away Arm..... | 34 |
| Traffic Light Kits..... | 36 |
| Vehicle Loop Detector..... | 37 |
| EMX Lite Preformed Loops..... | 37 |
| Photo Eyes..... | 38 |

Aviation

| | |
|------------------------|----|
| Table of Contents..... | 39 |
| Tracer® AV2..... | 40 |

Balances

| | |
|------------------------|----|
| Table of Contents..... | 45 |
|------------------------|----|

Rice Lake

| | |
|-------------------------|----|
| ANALYTICAL | |
| TA Plus Series..... | 46 |
| LEGAL FOR TRADE | |
| TE Enhanced Series..... | 47 |
| TOPLOADER | |
| TS Series Washdown..... | 48 |
| TP Series..... | 49 |
| TC Series..... | 50 |
| Equipoise® Series..... | 51 |

A&D Weighing

| | |
|------------------------|----|
| MASS COMPARATOR | |
| MC Series..... | 52 |
| MICRO / SEMI-MICRO | |
| Ion BM Series..... | 53 |
| Phoenix GH Series..... | 54 |
| Gemini GR Series..... | 55 |
| ANALYTICAL | |
| Ion BM Series..... | 56 |
| Phoenix GH Series..... | 57 |
| Gemini GR Series..... | 58 |

| | |
|------------------------------|----|
| HR-AZ/A Series..... | 59 |
| Orion HR Series..... | 60 |
| AD-4212A Series..... | 61 |
| Apollo GF Series..... | 62 |
| Apollo GX Series..... | 63 |
| LEGAL FOR TRADE | |
| GF-P Series..... | 64 |
| FX-i Series..... | 65 |
| EK-i Series..... | 66 |
| EW-i Series..... | 67 |
| PRECISION | |
| Apollo GX Series..... | 68 |
| Apollo GF Series..... | 69 |
| FX-iWP Series Washdown..... | 70 |
| FX-i Series..... | 71 |
| AD-4212A Series..... | 72 |
| FX-i Series..... | 73 |
| Apollo GX Series..... | 74 |
| Apollo GF Series..... | 75 |
| FX-iWP Series Washdown..... | 76 |
| EJ Newton Series..... | 77 |
| EK-i Series..... | 78 |
| EW-i Series..... | 79 |
| HIGH CAPACITY | |
| GX-M Series..... | 80 |
| GF-M Series..... | 81 |
| GP Series..... | 82 |
| INTRINSICALLY SAFE | |
| EK-AEP Series..... | 84 |
| MOISTURE ANALYZERS | |
| MS-70/MX-50/MF-50/ML-50..... | 85 |
| STATIC ELIMINATOR | |
| AD-1683..... | 86 |

Ohaus

| | |
|---|-----|
| SEMI-MICRO | |
| Explorer® Series..... | 87 |
| ANALYTICAL | |
| Pioneer® PX Series..... | 88 |
| Explorer® Series..... | 89 |
| Adventurer® Series..... | 90 |
| LEGAL FOR TRADE | |
| Scout® SJX Series..... | 91 |
| Valor® 7000 Series..... | 92 |
| Adventurer® Series..... | 93 |
| PRECISION | |
| Adventurer® Series..... | 94 |
| Pioneer® PX Series..... | 95 |
| Explorer® Series..... | 96 |
| Scout® Series..... | 97 |
| TOPLOADER | |
| Pioneer® PX Series..... | 98 |
| Explorer® Series..... | 99 |
| Adventurer® Series..... | 100 |
| Navigator™ XT Series..... | 101 |
| Scout® Series..... | 102 |
| Valor® 3000 Xtreme Series..... | 104 |
| Valor® 3000 Xtreme Series Washdown..... | 105 |
| Valor® 2000 Series Washdown..... | 106 |
| Compass CX Series..... | 107 |

| | |
|------------------------------------|-----|
| Compass CR Series..... | 108 |
| HH Series..... | 109 |
| YA Series..... | 110 |
| Valor® 1000 Series..... | 111 |
| HIGH CAPACITY | |
| Explorer® Series..... | 112 |
| MECHANICAL | |
| Triple Beam..... | 113 |
| Harvard Trip Balance..... | 114 |
| Dial-O-Gram® and Cent-O-Gram®..... | 115 |
| Field Test Scale..... | 116 |
| Heavy Duty Solution..... | 116 |
| MOISTURE ANALYZER | |
| MB Series..... | 117 |

Sartorius

| | |
|--|-----|
| ULTRA-MICRO / MICRO | |
| Cubis® II Series MCA..... | 118 |
| Cubis® II Series MCE..... | 119 |
| SEMI-MICRO | |
| Cubis® II MCA Series..... | 120 |
| Cubis® II MCE Series..... | 121 |
| Quintix/Secura Series..... | 122 |
| ANALYTICAL | |
| Practum/Quintix/Secura Series..... | 123 |
| Cubis® II MCA Series..... | 124 |
| Cubis® II MCE Series..... | 125 |
| Entris® II Series Basic Essential..... | 126 |
| Entris® II Series Basic Advanced..... | 127 |
| LEGAL FOR TRADE | |
| Entris® II Series Basic Essential..... | 128 |
| Secura Series..... | 129 |
| PRECISION | |
| Cubis® II Series MCA..... | 130 |
| Cubis® II Series MCE..... | 131 |
| Entris® II Series Basic Essential..... | 132 |
| Entris® II Series Basic Advanced..... | 133 |
| Practum/Quintix/Secura Series..... | 134 |
| TOPLOADER | |
| Practum/Quintix/Secura Series..... | 135 |
| Cubis® II Series MCA..... | 136 |
| Cubis® II Series MCE..... | 137 |
| Entris® II Series Basic Essential..... | 138 |
| Entris® II Series Basic Advanced..... | 139 |
| MOISTURE ANALYZER | |
| MA35, MA37 and MA160 Series..... | 140 |

Accessories

| | |
|--|-----|
| ADAPTER CABLE, RS-232/USB KEYBOARD INPUT | |
| AbleCable®..... | 141 |
| DATA CAPTURE AND STORAGE | |
| Go-Between™..... | 142 |
| Kasota Stone Balance Slab..... | 143 |
| Kasota Stone Balance Table..... | 143 |
| Granite Clean Room Table..... | 143 |
| Anti-Vibration Pad..... | 144 |
| Scoops..... | 144 |
| STATIC BRUSHES, IONIZING STRIPS AND ACCESSORIES | |
| Static Control..... | 145 |

Table of Contents

Belt Scales

| | |
|---|-----|
| Table of Contents..... | 149 |
| Master™ 311 Belt Scale Weigh Frame..... | 150 |
| Master™ 221DB Belt Scale Weigh Frame..... | 151 |
| Master™ 211 Belt Scale Weigh Frame..... | 152 |
| Master™ 14X Belt Scale Weigh Frame..... | 153 |
| Master™ 421 Belt Scale Weigh Frame..... | 154 |
| BCi Belt Scale Weigh Frame..... | 155 |
| 882D..... | 157 |
| SCT-4XD..... | 159 |
| Speed Sensor..... | 161 |
| Belt Scale Application..... | 162 |

Bench Scales

| | |
|---|-----|
| Table of Contents..... | 165 |
| BenchMark® SL..... | 166 |
| BenchMark® CW-80B..... | 167 |
| BenchMark® SL/HE..... | 168 |
| CW-90B..... | 169 |
| CW-90XB..... | 170 |
| Ready-n-Weigh Bench Scale System..... | 171 |
| <i>CW-90B Bench Scale and 380 Indicator Package</i> | |
| Ready-n-Weigh Bench Scale System..... | 172 |
| <i>CW-90B Bench Scale and 480/480 Plus Indicator Package</i> | |
| Ready-n-Weigh Bench Scale System..... | 174 |
| <i>CW-90B Bench Scale and 482/482 Plus Indicator Package</i> | |
| Ready-n-Weigh Bench Scale System..... | 176 |
| <i>CW-90B Bench Scale and 680 Indicator Package</i> | |
| Ready-n-Weigh Bench Scale System..... | 177 |
| <i>CW-90XB Bench Scale and 380 Indicator Package</i> | |
| Ready-n-Weigh Bench Scale System..... | 178 |
| <i>CW-90XB Bench Scale and 480/480 Plus Indicator Package</i> | |
| Ready-n-Weigh Bench Scale System..... | 180 |
| <i>CW-90XB Bench Scale and 482/482 Plus Indicator Package</i> | |
| Ready-n-Weigh Bench Scale System..... | 182 |
| <i>CW-90XB Bench Scale and 680 Indicator Package</i> | |
| BenchMark® MS..... | 183 |
| BenchMark® SS..... | 184 |
| BenchMark® HE..... | 185 |
| BenchMark® HE-X..... | 186 |
| BenchMark® LP..... | 188 |
| BenchMark® HD..... | 189 |
| BenchMark® HD-1 Aviation..... | 190 |
| BenchMark® HD-2 Aviation..... | 192 |
| BenchMark® HD-3 Aviation..... | 194 |
| BenchMark® HDP..... | 196 |
| Ishida iPC Series..... | 197 |
| Versa-portion®..... | 198 |
| BenchPro™ BP-P..... | 199 |
| BenchPro™ BP-S..... | 200 |
| BenchPro™ BP-SB..... | 201 |
| BenchPro™ BP-SR..... | 202 |
| BenchMark® MSC-10..... | 203 |
| BenchMark® MSC-20..... | 204 |
| BenchMark® MSC-30..... | 205 |
| BenchMark® MSC-40..... | 206 |
| Bench Scale Ball Transfer and Roller Conveyor..... | 207 |
| Bench Scale Columns..... | 208 |

Calibration Weights

| | |
|------------------------|-----|
| Table of Contents..... | 209 |
|------------------------|-----|

ASTM Precision

| | |
|--|-----|
| METRIC SINGLE WEIGHT WITH CASE (KITS) | |
| Range: 20 kg – 1 mg..... | 210 |
| METRIC SINGLE WEIGHTS | |
| Range: 20 kg – 1 mg..... | 211 |
| METRIC SINGLE WEIGHT WITH CASE (KITS) | |
| Range: 25 kg – 1 g..... | 212 |
| Range: 25 kg – 1 g..... | 213 |
| METRIC SINGLE WEIGHTS | |
| Range: 25 kg – 1 g..... | 214 |
| METRIC SINGLE WEIGHT WITH CASE (KITS) | |
| Range: 500 mg – 0.5 mg..... | 216 |
| METRIC SINGLE WEIGHTS | |
| Range: 500 mg – 1 mg..... | 217 |
| AVOIRDUPOIS SINGLE WEIGHT WITH CASE (KITS) | |
| Range: 30 lb – 1/16 oz..... | 218 |
| Range: 0.001 lb – 1/32 oz..... | 220 |
| AVOIRDUPOIS SINGLE WEIGHTS | |
| Range: 50 lb – 1/16 oz..... | 222 |
| Range: 0.001 lb – 1/32 oz..... | 224 |
| METRIC SETS | |
| Essential Weight Sets..... | 225 |
| Range: 500 mg..... | 226 |
| Range: 20 g..... | 228 |
| Range: 50 g..... | 230 |
| Range: 100 g..... | 232 |
| Range: 200 g..... | 234 |
| Range: 300 g and 500 g..... | 236 |
| Range: 1 kg..... | 238 |
| Range: 2 kg..... | 240 |
| Range: 3 kg and 5 kg..... | 242 |
| Range: 10 kg..... | 244 |
| Range: 20 kg and 25 kg..... | 246 |
| AVOIRDUPOIS SETS | |
| Range: 2 lb through 50 lb..... | 248 |

OIML Precision

| | |
|---------------------------------------|-----|
| METRIC SINGLE WEIGHT WITH CASE (KITS) | |
| Range: 20 kg – 1 g..... | 250 |
| Range: 500 mg – 1 mg..... | 251 |
| METRIC SINGLE WEIGHTS | |
| Range: 20 kg – 1 mg..... | 252 |
| METRIC SETS | |
| Range: 500 mg – 50 g..... | 253 |
| Range: 100 g..... | 254 |
| Range: 200 g..... | 256 |
| Range: 500 g..... | 258 |
| Range: 1 kg..... | 260 |
| Range: 2 kg..... | 262 |
| Range: 5 kg..... | 264 |
| Range: 10 kg..... | 266 |
| Range: 20 kg..... | 268 |

Balance Calibration

| | |
|---|-----|
| METRIC SINGLE WEIGHT WITH CASE (KIT) | |
| Range: 5 kg – 10 g..... | 270 |
| BALANCE CALIBRATION WEIGHTS / METRIC SINGLE WEIGHTS | |
| Range: 30 kg – 5 kg..... | 272 |
| Range: 5 kg – 10 g..... | 273 |

AVOIRDUPOIS SINGLE WEIGHTS

| | |
|-----------------------------|-----|
| Range: 50 lb – 10 lb..... | 274 |
| Range: 10 lb – 0.05 lb..... | 275 |

AVOIRDUPOIS SINGLE WEIGHT WITH CASE (KIT)

| | |
|-----------------------------|-----|
| Range: 10 lb – 0.05 lb..... | 276 |
|-----------------------------|-----|

Stainless Field

| | |
|------------------------------|-----|
| METRIC SINGLE WEIGHTS | |
| Range: 30 kg – 1 mg..... | 278 |
| AVOIRDUPOIS SINGLE WEIGHTS | |
| Range: 50 lb – 10 lb..... | 279 |
| Range: 10 lb – 0.001 lb..... | 280 |
| METRIC SETS | |
| Range: 5 g and 50 g..... | 281 |
| Range: 100 g..... | 282 |
| Range: 500 g..... | 283 |
| Range: 1 kg..... | 284 |
| Range: 2 kg..... | 285 |
| Range: 5 kg..... | 286 |
| AVOIRDUPOIS SET | |
| Range: 4 oz..... | 287 |
| Range: 1 lb..... | 288 |
| Range: 2 lb..... | 289 |
| Range: 5 lb..... | 290 |
| Range: 10 lb..... | 292 |

Cast Iron Field

| | |
|--|-----|
| AVOIRDUPOIS GRIP-HANDLE AND NESTING SLAB | |
| Range: 3,000 lb – 1 lb..... | 294 |
| METRIC GRIP-HANDLE | |
| Range: 1,000 kg – 500 g..... | 295 |
| AVOIRDUPOIS AND METRIC SLOTTED INTERLOCKING AND HANGER | |
| Range: 100 lb – 200 g..... | 296 |
| AVOIRDUPOIS AND METRIC COUNTERPOISE AND HANGER WEIGHTS | |
| Range: 200 kg – 7 oz..... | 297 |
| AVOIRDUPOIS COUNTERPOISE AND HANGER | |
| Range: 500 lb – 7 oz..... | 298 |

Specialty

| | |
|--|-----|
| METRIC CUBE AND RING WEIGHTS; AVOIRDUPOIS RING WEIGHTS | |
| Range: 5 lb – 25 g..... | 300 |
| TROY OUNCE CYLINDRICAL AND LEAF WEIGHTS | |
| Range: 500 oz t – 0.005 oz t..... | 301 |
| PENNYWEIGHT CYLINDRICAL AND LEAF, AND GRAIN WEIGHTS | |
| Range: 20 dwt – 20 gr..... | 302 |
| AVOIRDUPOIS AND METRIC CUBE WEIGHT SETS | |
| Range: 1 kg – 1 mg..... | 303 |
| AVOIRDUPOIS AND METRIC SINGLE HOOK WEIGHTS | |
| Range: 25 kg – 1/32 oz..... | 304 |
| AVOIRDUPOIS AND METRIC SINGLE HANGERS/SLOTTED WEIGHTS | |
| Range: 5 lb – 100 g..... | 305 |
| LIFT TRUCK WEIGHTS AND CLEAN ROOM CART | |
| Range: 50 kg – 2,000 lb..... | 306 |

Table of Contents

Accessories

| | |
|--------------------------|-----|
| Cases | 308 |
| Sealing Plugs | 310 |
| Canvas Dust Covers | 310 |
| Gloves | 310 |
| Transfer Equipment | 311 |
| Transfer Cart | 311 |
| Touch-Up Paint | 311 |

Checkweighers

| | |
|-------------------------|-----|
| Table of Contents | 313 |
| IQ Plus® 2100 | 314 |
| IQ Plus® 2100SL | 316 |
| CW-90 | 318 |
| CW-90X | 320 |

Concrete Batch Controllers

| | |
|--------------------------------------|-----|
| Table of Contents | 323 |
| 1280 FlexWeigh Systems | |
| Concrete Batcher | 324 |
| Concrete Batcher Questionnaire | 326 |

Counting Scales

| | |
|------------------------------------|-----|
| Table of Contents | 333 |
| Rice Lake Counterpart® | 334 |
| DIGI® S-YC Series | 336 |
| DIGI® DC-788 Series | 337 |
| DIGI® DC-782 Series | 338 |
| DIGI® DMC-782 Series | 338 |
| A&D® Weighing HC-i Series | 339 |
| A&D® Weighing FC-i/Si Series | 339 |
| OHAUS® Ranger™ Count 3000 | 340 |

Dimensioning

| | |
|--------------------------------|-----|
| Table of Contents | 341 |
| iDimension® Plus | 342 |
| iDimension® Flex Series | 347 |
| iDimension® PWD System | 349 |
| iDimension® LTL / LTL XL | 351 |
| iDimension® SS | 354 |

Floor Scales

| | |
|---|-----|
| Table of Contents | 357 |
| RoughDeck® Rough-n-Ready System | 358 |
| <i>Floor Scale and 381 Indicator Package</i> | |
| RoughDeck® Rough-n-Ready System | 359 |
| <i>Floor Scale and 380 Indicator Package</i> | |
| RoughDeck® Rough-n-Ready System | 360 |
| <i>Floor Scale and 480/480 Plus Indicator Package</i> | |
| RoughDeck® Rough-n-Ready System | 361 |
| <i>Floor Scale and 482/482 Plus Indicator Package</i> | |
| RoughDeck® Rough-n-Ready System | 362 |
| <i>Floor Scale and 680 Indicator Package</i> | |
| RoughDeck® HP | 363 |
| RoughDeck® HP-H | 365 |
| RoughDeck® RP | 367 |
| RoughDeck® PC | 368 |
| RoughDeck® CS | 369 |
| RoughDeck® CS Rail Car | 371 |
| <i>Top-access Coil Scale</i> | |
| RoughDeck® CS Rail Car | 372 |
| <i>Under Beam Mount Coil Scale</i> | |
| RoughDeck® SS | 373 |
| RoughDeck® HE | 374 |

| | |
|---------------------------------------|-----|
| AutoLift HE | 375 |
| RoughDeck® QC-X | 377 |
| RoughDeck® QC-XP | 379 |
| RoughDeck® QC | 380 |
| RoughDeck® SD | 383 |
| RoughDeck® LP | 384 |
| RoughDeck® PW-1 Mild Steel | 385 |
| RoughDeck® PW-1 Stainless Steel | 386 |
| RoughDeck® BDP Mild Steel | 387 |

Barrel, Drum, Pallet Scale – Stationary Model

| | |
|---------------------------------|-----|
| RoughDeck® BDP Mild Steel | 388 |
|---------------------------------|-----|

Barrel, Drum, Pallet Scale – Portable Model

| | |
|--------------------------------------|-----|
| RoughDeck® BDP Stainless Steel | 389 |
|--------------------------------------|-----|

Barrel, Drum, Pallet Scale - Stationary Model

| | |
|--------------------------------------|-----|
| RoughDeck® BDP Stainless Steel | 390 |
|--------------------------------------|-----|

Barrel, Drum, Pallet Scale – Portable Model

| | |
|-----------------|-----|
| DeckHand™ | 391 |
|-----------------|-----|

| | |
|--------------|-----|
| RL1200 | 392 |
|--------------|-----|

| | |
|-----------------|-----|
| RL1200 EM | 393 |
|-----------------|-----|

| | |
|-----------------|-----|
| RL1200 IS | 394 |
|-----------------|-----|

| | |
|------------------|-----|
| Altralite™ | 395 |
|------------------|-----|

| | |
|----------------------|-----|
| RoughDeck® FXB | 396 |
|----------------------|-----|

| | |
|---|-----|
| Summit® Scale and 120 Indicator Package | 397 |
|---|-----|

| | |
|--|-----|
| Summit® Scale and 120 Plus Indicator Package | 398 |
|--|-----|

| | |
|--------------------|-----|
| Summit® 3000 | 399 |
|--------------------|-----|

| | |
|-------------------------------|-----|
| RoughDeck® Access Ramps | 400 |
|-------------------------------|-----|

| | |
|---|-----|
| Floor Scale Pit Mounted Riser Stand | 402 |
|---|-----|

| | |
|-----------------------------|-----|
| RoughDeck® Pit Frames | 403 |
|-----------------------------|-----|

| | |
|---------------------------------|-----|
| Summit® 3000 Access Ramps | 404 |
|---------------------------------|-----|

| | |
|-------------------------------|-----|
| Summit® 3000 Pit Frames | 405 |
|-------------------------------|-----|

| | |
|---------------------|-----|
| Bumper Guards | 406 |
|---------------------|-----|

Option A

Option B

Option C

| | |
|----------------------------|-----|
| RoughDeck® HP and SS | 409 |
|----------------------------|-----|

| | |
|---------------------|-----|
| RoughDeck® HP | 410 |
|---------------------|-----|

Forklift SENDit Portability Frames, Non-NTEP

| | |
|---------------------|-----|
| RoughDeck® HP | 411 |
|---------------------|-----|

Forklift SENDit Portability Frames, NTEP

| | |
|---------------------|-----|
| RoughDeck® HP | 412 |
|---------------------|-----|

Caster Portability Frames

| | |
|---------------------|-----|
| RoughDeck® HP | 413 |
|---------------------|-----|

Caster SENDit Portability Frames, Non-NTEP

| | |
|---------------------|-----|
| RoughDeck® HP | 414 |
|---------------------|-----|

Caster SENDit Portability Frames, NTEP

| | |
|------------------------------|-----|
| RoughDeck® HP, SS & HE | 415 |
|------------------------------|-----|

*Pit Frame Concrete Details**

| | |
|-----------------------|-----|
| RoughDeck® HP-H | 416 |
|-----------------------|-----|

Pit Frame Concrete Details – 20,000lb Capacity*

| | |
|-----------------------|-----|
| RoughDeck® HP-H | 417 |
|-----------------------|-----|

Pit Frame Concrete Details – 30,000lb Capacity*

| | |
|-------------------|-----|
| AutoLift HE | 418 |
|-------------------|-----|

*Pit Frame Concrete Details**

| | |
|-----------------------|-----|
| RoughDeck® QC-X | 419 |
|-----------------------|-----|

*Pit Frame Concrete Details**

| | |
|---------------------|-----|
| RoughDeck® QC | 420 |
|---------------------|-----|

*Pit Frame Concrete Details**

| | |
|--------------------|-----|
| Summit® 3000 | 421 |
|--------------------|-----|

*Pit Frame Concrete Details**

| | |
|-------------------------|-----|
| Table of Contents | 423 |
|-------------------------|-----|

| | |
|---------------------------|-----|
| CLS Series Class II | 424 |
|---------------------------|-----|

| | |
|---------------------------|-----|
| CLS Series Class II | 425 |
|---------------------------|-----|

Forklift Scale with Mobile Printer

Forklift / Pallet Jack Scales

| | |
|-----------------------------|-----|
| CLS Series Class III | 426 |
| CLS Series Options | 427 |
| CLS Series Dimensions | 428 |
| CLS-680 | 429 |
| CLS-920i® | 430 |
| VIRTUi®3 | 431 |
| RL-HPJ | 432 |

Hanging Scales

| | |
|-------------------------|-----|
| Table of Contents | 435 |
|-------------------------|-----|

| | |
|---------------------------------|-----|
| On-site OS-10/OS-25/OS-45 | 436 |
|---------------------------------|-----|

Hardware and Accessories

| | |
|-------------------------|-----|
| Table of Contents | 439 |
|-------------------------|-----|

| | |
|-----------------------------|--|
| Load Cell Mounting Hardware | |
|-----------------------------|--|

| | |
|-------------------------|-----|
| Safety Guidelines | 440 |
|-------------------------|-----|

| | |
|-------------------|--|
| Mounting Assembly | |
|-------------------|--|

| | |
|--------------------------------|-----|
| Component Identification | 441 |
|--------------------------------|-----|

| | |
|----------------|-----|
| Jam Nuts | 441 |
|----------------|-----|

| | |
|----------------|-----|
| Eye Nuts | 442 |
|----------------|-----|

| | |
|-------------------------------|-----|
| Clevis Mount Assemblies | 442 |
|-------------------------------|-----|

| | |
|---------------------|-----|
| Coupling Nuts | 442 |
|---------------------|-----|

| | |
|---------------------------|-----|
| Load Cell Eye Bolts | 443 |
|---------------------------|-----|

| | |
|---------------------------|-----|
| Rod End Ball Joints | 444 |
|---------------------------|-----|

| | |
|------------------------|-----|
| Connecting Links | 444 |
|------------------------|-----|

| | |
|---------------------------|-----|
| Load Cell Isolators | 445 |
|---------------------------|-----|

| | |
|-------------------------|-----|
| Threaded Adapters | 445 |
|-------------------------|-----|

| | |
|--------------------------|-----|
| ITCM Hardware Kits | 446 |
|--------------------------|-----|

| | |
|-----------------------|-----|
| Grounding Strap | 447 |
|-----------------------|-----|

| | |
|---------------------|-----|
| Ball Bearings | 447 |
|---------------------|-----|

| | |
|---------------------------|-----|
| Load Receiver Plate | 447 |
|---------------------------|-----|

| | |
|-----------------|-----|
| Load Cups | 447 |
|-----------------|-----|

| | |
|----------------------------|-----|
| Wire Rope Assemblies | 448 |
|----------------------------|-----|

| | |
|--------------------------------------|-----|
| Cardinal® Wire Rope Assemblies | 448 |
|--------------------------------------|-----|

| | |
|-------------------------|-----|
| Custom Wire Ropes | 448 |
|-------------------------|-----|

| | |
|--|-----|
| Custom Wire Rope Definition Form | 449 |
|--|-----|

| | |
|-----------------------------|-----|
| Spherical Washer Sets | 450 |
|-----------------------------|-----|

| | |
|-------------------------|-----|
| Load Cell Spacers | 450 |
|-------------------------|-----|

| | |
|-------------------|-----|
| Load Button | 450 |
|-------------------|-----|

| | |
|--------------------------|-----|
| Weldless End Links | 450 |
|--------------------------|-----|

| | |
|------------------------------|-----|
| Load Button Insert Kit | 451 |
|------------------------------|-----|

| | |
|---------------------------------------|-----|
| Flintec® Adjustable Rubber Foot | 451 |
|---------------------------------------|-----|

| | |
|------------------------|-----|
| Bench Scale Feet | 451 |
|------------------------|-----|

| | |
|-----------------|-----|
| Surefoot™ | 451 |
|-----------------|-----|

| | |
|---|-----|
| Polyurethane Rubber Leveling Feet | 452 |
|---|-----|

| | |
|---|-----|
| Captured Ball Floor Scale Leveling Feet | 452 |
|---|-----|

| | |
|----------------------|-----|
| Leveling Mount | 453 |
|----------------------|-----|

| | |
|---------------------|-----|
| Leveling Pads | 453 |
|---------------------|-----|

| | |
|--------------------------|-----|
| Leveling Pad Stems | 453 |
|--------------------------|-----|

| | |
|-----------------------------|-----|
| RoughDeck® Scale Base | 454 |
|-----------------------------|-----|

| | |
|-------------------------------|-----|
| Summit® 3000 Scale Base | 454 |
|-------------------------------|-----|

| | |
|------------------------|-----|
| Floor Scale Base | 454 |
|------------------------|-----|

| | |
|--------------------------------------|-----|
| Complete Custom Cable Services | 455 |
|--------------------------------------|-----|

| | |
|---------------------|-----|
| EL147, 6 Wire | 456 |
|---------------------|-----|

| | |
|----------------------------|-----|
| EL147RP Plus, 6 Wire | 456 |
|----------------------------|-----|

| | |
|-----------------------|-----|
| EL147HE, 6 Wire | 457 |
|-----------------------|-----|

| | |
|-----------------------|-----|
| EL147IS, 6 Wire | 457 |
|-----------------------|-----|

| | |
|---------------------|-----|
| EL146, 4 Wire | 458 |
|---------------------|-----|

| | |
|-----------------------|-----|
| EL146HE, 4 Wire | 458 |
|-----------------------|-----|

| | |
|-------------------------|-----|
| Fiber-Optic Cable | 459 |
|-------------------------|-----|

| | |
|----------------------------------|-----|
| EL144 Communications Cable | 459 |
|----------------------------------|-----|

| | |
|-----------------|-----|
| BCD Cable | 459 |
|-----------------|-----|

Table of Contents

| | | | | | |
|---|-----|---|-----|--|-----|
| SURVIVOR® EL620HE | 460 | 350-10-2 | 499 | MODBUS®-TCP Interface..... | 574 |
| EL148HE Mettler Toledo® | 460 | 350-10-7 | 500 | EtherNet/IP® Interface..... | 575 |
| SURVIVOR® Cable Armor..... | 460 | 350-10-3 | 501 | EtherCAT® Interface..... | 575 |
| Mettler Toledo® Power Cell® | 460 | 350-10-4 | 502 | TranSend™ MSI-7000..... | 576 |
| Cord Grip Assemblies | 461 | 350-10-8 | 503 | TranSend™ MSI-7001..... | 577 |
| EL214 Cable Splicing Kit..... | 461 | RL-350-5 | 504 | TranSend™ MSI-7000HD..... | 579 |
| Load Cell Conduit Adapters | 461 | RL-350-6 | 505 | TranSend™ MSI-7001HD..... | 580 |
| EL214T Cable Splicing Kit..... | 462 | SB-1150 Summit™ | 506 | SendIt™ | 581 |
| EL215 Cable Splicing Kit..... | 462 | SD-1150-WP | 507 | ConnexLink™ | 582 |
| Flintec® Load Cell Cable | 462 | <i>Dialysis Wheelchair Scale</i> | | Industrial Broadband | 583 |
| Five-Position Connectors, Shell Plugs, Receptacles..... | 463 | <i>Pit Frame Concrete Details</i> | | Visible Lights and Audible Alarms | 584 |
| Seven-Position Connectors, Shell Plugs, Receptacles..... | 463 | 350-10-8S | 509 | Manual Pushbuttons/ Pushbutton Switches..... | 584 |
| Six-Position Connectors, Shell Plugs, Receptacles..... | 463 | Indicators / Controllers | | Nanostation..... | 584 |
| T-Grip Molding | 464 | Table of Contents..... | 511 | INDUSTRIAL CONTROL PRODUCTS | |
| T-Strip Molding | 464 | 120/120 Plus | 512 | Tripp-Lite USB to Serial Converter/Adapter | 585 |
| Electronic Scale Tickets..... | 465 | IQ Plus® 210..... | 514 | Amphenol® RJF 544..... | 586 |
| Mechanical Scale Tickets | 466 | CW-90 | 515 | AbleCable® | 587 |
| Printer Dust Covers..... | 466 | CW-90X | 517 | go-between™ | 588 |
| Printer Cables | 467 | 380 Synergy Series..... | 519 | Hazardous Location Instrumentation | |
| Static Brushes | 468 | 380X Synergy Series | 520 | Table of Contents..... | 591 |
| Ionizing Strips..... | 468 | 381 Synergy Series..... | 521 | Explosive Environment Equipment Policy | 592 |
| Desiccants | 468 | 480/482 Legend® Series..... | 522 | Hazardous Area Classification | 593 |
| Crimper and Lead Seals | 468 | 680 Synergy Series..... | 524 | Explosive Environment Solutions | 594 |
| Ionizing Strip Accessories | 468 | 682 Synergy Series..... | 526 | Hazardous Atmospheres | 595 |
| Industrial Corrosion Inhibitor..... | 468 | 680HE Synergy Series | 528 | 882IS/882IS Plus | 596 |
| Static Control Table Mat and Floor Mat | 469 | 720i™ Series..... | 529 | EL232 XPCD | 600 |
| Static Control Wrist Strap..... | 469 | 880/880 Plus Performance™ Series..... | 532 | Intrinsic Safety Barriers | 601 |
| Static Shielding Bags | 469 | 920i® Series | 535 | InMotion Weighing | |
| Static-Safe Service Kit..... | 469 | 1280 Enterprise™ Series | 539 | Table of Contents..... | 603 |
| Rice Lake's Scale Technician Kits..... | 470 | Relays and Racks..... | 544 | ELS Series | 604 |
| Health Scales | | LaserLight3™ | 545 | MotoWeigh® IMW | 606 |
| Table of Contents..... | 471 | LaserLT-60 and LaserLT-100 | 547 | MotoWeigh® Metal Detector..... | 611 |
| RL-330HHD/RL-330HHL | 472 | 1280 Enterprise™ Series User Programs | 548 | MotoWeigh® Cascade Checkweigher | 613 |
| DHH-10 | 473 | 920i® User Programs | 550 | MotoWeigh® Integrator | 613 |
| RL-MPS | 474 | 920i® FlexWeigh Systems | 552 | A&D Inspection..... | 614 |
| RL-MPS-10 | 475 | <i>Fillers/Batchers</i> | | RT-M | 616 |
| RL-MPS-20 | 476 | 920i® FlexWeigh Systems | 554 | Junction Boxes / Simulators | |
| RL-MPS-30 | 477 | <i>Bulkweighers and Flip Flop Fillers</i> | | Table of Contents..... | 619 |
| RL-MPS-40 | 478 | 920i® FlexWeigh Systems | 555 | JB4SS | 620 |
| RL-MPS-50 | 479 | <i>Flow Rate Controllers</i> | | JB4ES..... | 621 |
| 150-10-5 | 480 | 920i® FlexWeigh Systems | 555 | JB4SP and JB4SPT..... | 622 |
| 150-10-6 | 481 | <i>Hand Batching</i> | | JB4EP and JB4EPT | 623 |
| 150-10-7 | 482 | MSI-8000HD | 556 | EL204 | 624 |
| 150-10-8 | 483 | MSI-8004HD | 558 | EL504 | 625 |
| RL-WMS-10 | 484 | SCT-1100 | 560 | JB8SP | 626 |
| RL-MIS | 485 | SCT-2200 | 561 | JB8SPT | 627 |
| RL-MIS-20 | 486 | SCT-3300 | 562 | EL304A..... | 628 |
| Suspended Infant Scale | 487 | SCT-15X | 563 | JB1010T | 629 |
| RL-DBS | 488 | SCT-4X..... | 564 | JB1010ST | 630 |
| RL-DBS-2 | 489 | SCT-10..... | 565 | Replacement Junction Boxes, Boards or Components..... | 631 |
| 650-10-1 | 490 | SCT-20..... | 566 | iQUBE2® | 632 |
| RL-PCT-10 | 491 | SCT-30..... | 567 | EL168 | 635 |
| 260-10-1 | 492 | SCT-40 | 568 | TP75 DC..... | 635 |
| 250-10-2 | 493 | FIELDBUS CARDS | | UJB3T6 DC..... | 636 |
| 250-10-4 | 494 | Profibus® DP Interface | 569 | | |
| RL-MCS | 495 | Profinet® I/O Interface..... | 569 | | |
| 560-10-1 | 496 | DeviceNet™ Interface..... | 570 | | |
| 550-10-1 | 497 | ControlNet™ Interface | 570 | | |
| 350-10-3M | 498 | EtherNet/IP® Interface | 571 | | |
| | | Ethernet TCP/IP Interface | 572 | | |
| | | Profibus® DP Interface | 573 | | |
| | | PROFINET® Interface..... | 573 | | |
| | | DeviceNet® Interface..... | 574 | | |

Table of Contents

| | |
|------------------------|-----|
| TP232 | 637 |
| Ranger 1 | 637 |
| Ranger 3 | 638 |
| Transducer Simulator 4 | 638 |
| Ranger 5 | 639 |
| Ranger 7 | 639 |

Livestock Scales

| | |
|--------------------------------|-----|
| Table of Contents | 641 |
| RoughDeck® SLV | 642 |
| RoughDeck® EQ | 644 |
| Farm Bars | 646 |
| <i>With 380 Indicator</i> | |
| Farm Bars | 647 |
| <i>Without Instrumentation</i> | |

Load Cells / Weigh Modules

| | |
|---|-----|
| Table of Contents | 651 |
| SURVIVOR® Paramounts® HE | 652 |
| RL1700 HE | 653 |
| RL1600 HE Series | 654 |
| RL1855 HE-HS | 655 |
| RL2100 HE | 656 |
| ITCM | 657 |
| ITCM SS | 658 |
| ITCM HE | 659 |
| RL50210TA | 660 |
| 65059 | 662 |
| RL50219SS-TA | 664 |
| Paramounts® EP | 666 |
| Paramounts® HS | 668 |
| RLBTM | 670 |
| RL1800 Series | 671 |
| RL1800 Series with MLC Coated Load Cell | 673 |
| RL1900 Series | 674 |
| RLTM | 675 |
| RL9000TWM Series | 676 |
| RL9000TWM-HT | 679 |
| RL2200 Series | 680 |
| RL2200SS Series | 681 |
| RLC | 682 |
| 220 Universal Mount | 683 |
| EZ Mount 1 with RL72020 | 684 |
| EZ Mount 1 SS with RL72020SS | 686 |
| EZ Mount 1 with MLC Coated RL72020 | 687 |
| EZ Mount 1 HE | 688 |
| RL1600 Series with RL75016 | 689 |
| <i>Cast Iron, Weigh Modules</i> | |
| RL1600 Series with RL75016 | 690 |
| <i>Mild Steel, Weigh Modules</i> | |
| RL1600 Series with RL77032 | 691 |
| RL1600 Series with RL75016SS | 692 |
| RL1600 SS Series with RL77032SS | 693 |
| RL1600 Series with MLC Coated RL75016 | 694 |
| RL1600 HE Series with RL77032SS HE | 695 |
| MVS Mount/MVS | 696 |
| Translink™ Parallel Link | 697 |
| Motor Truck Scale Electronic Conversion Kit | 698 |

| | |
|---------------------------------------|-----|
| MagnaMount™ | 699 |
| Mettler Toledo® DigiTOL® Retrofit Kit | 700 |
| Rice Lake Analog Retrofit Kit | 702 |
| Electronic Floor Scale Underdeck Kits | 703 |
| S-BEAM | |
| RL20000I | 704 |
| RL20000SS | 705 |
| RL20000ST | 706 |
| RL20001I | 707 |
| RL20001HE | 708 |
| RLETS | 709 |
| SINGLE-ENDED BEAM | |
| RL32022 | 710 |
| RL32022-S | 711 |
| RL32018 | 712 |
| RL32018 MLC Coated | 713 |
| RL32018S | 714 |
| RL32018S-P | 715 |
| RL32018S-HE | 716 |
| RL32019S-HE | 717 |
| RL32218S-HE | 718 |
| RL9018SS | 719 |
| RL30000I | 720 |
| RL30002 Thru Hole | 721 |
| RLH35 | 722 |
| RL39123 | 723 |
| RL32018S-T | 724 |
| RL35023S MLC Coated | 725 |
| RLHTO | 726 |
| RLSSB | 727 |
| RLSB250/RLSB250T | 728 |
| RL50219SS | 729 |
| RL50210 | 730 |
| RL40BBS | 731 |
| RL32011WB-L | 732 |
| RL32011WB-T | 733 |
| DOUBLE-ENDED BEAM | |
| RL72020 | 734 |
| RL72020SS | 735 |
| RL72020 MLC Coated | 736 |
| RL72019SS | 737 |
| RL77032 | 738 |
| RL77032SS | 739 |
| RL77032SS HE | 740 |
| RL75016 | 741 |
| RL75016 MLC Coated | 742 |
| RL75016SS | 743 |
| RL75016SS-W | 744 |
| RL75016WHE | 745 |
| RL75058I for Rice Lake Coil Scale | 746 |
| RL75058-LP | 747 |
| RL75058S-LP | 748 |
| RL75060S | 749 |
| RL75223 | 750 |
| RLDB50000S | 751 |
| RL75040 | 752 |
| COMPRESSION CANISTER | |
| RLCSP1 | 753 |
| RL8C2P1SST | 754 |
| ROCKER COLUMN | |
| RL82021 | 755 |

| | |
|----------------------------|-----|
| RLSCA-50K | 756 |
| RL70510/RL80453 | 757 |
| RL75114-50K | 758 |
| COMPRESSION DISK | |
| RL90000 | 759 |
| RLPC3SS | 760 |
| RLPC4SS-HE | 761 |
| SINGLE POINT | |
| RLPC6 | 762 |
| RLPWM15HE | 763 |
| RLPWM15 | 764 |
| RLPCBC-60 | 765 |
| RL1521A | 766 |
| RL1010 | 767 |
| RLSP4 | 768 |
| RLPWM12 | 769 |
| RLPWM16 | 770 |
| RL1042 | 771 |
| RL1040 | 772 |
| RL1140 | 773 |
| RL1380 | 774 |
| RL1385 | 775 |
| RL260FD | 776 |
| RL26018A | 777 |
| RL1218A | 778 |
| RL42018A | 779 |
| RLFLS | 780 |
| PLANAR BEAM | |
| RLBLP | 781 |
| TENSION LINK | |
| RL2010 | 782 |
| MSI Load Pin Sensors | 783 |
| MSI Load Pin Questionnaire | 784 |
| MSI Tension Link | 785 |
| MSI Clamp-On | 786 |

Monorail Scales

| | |
|-------------------|-----|
| Table of Contents | 787 |
| MS200 | 788 |
| MS202 | 790 |

Onboard Weighing

| | |
|--------------------------------------|-----|
| Table of Contents | 793 |
| PL Series Load Cells | 794 |
| PL9110 | 796 |
| PLSB-25K Stacking Cone and TwistLock | 796 |
| Rigid Underbody Load Cell Kits | 797 |
| Tractor-Trailer Kits | 798 |
| Loadrunner® | 799 |
| King Pin Load Cell Kit | 800 |
| Sand Shoe Load Cell Kit | 800 |
| TradeRoute® HL Series | 801 |

Overhead Weighing

| | |
|--|-----|
| Table of Contents | 803 |
| MSI-3460 Challenger 3 | 804 |
| MSI-4260 Port-A-Weigh | 806 |
| MSI-4260 IS Port-A-Weigh | 808 |
| MSI-4260M Port-A-Weigh | 809 |
| MSI-4260M Port-A-Weigh | 811 |
| MSI-9600HT Hi-Torque Port-A-Weigh Plus | 812 |

Table of Contents

| | |
|-----------------------------|-----|
| MSI-6360 Trans-Weigh | 813 |
| RL101 Scale | 815 |
| Crane Scale Cart | 816 |
| MSI-7300 Dyna-Link 2 | 817 |
| MSI Dyna-Clamp | 819 |
| MSI Clamp-On | 820 |
| MSI Load Pin Sensors | 821 |
| MSI Load Pin Questionnaire | 822 |
| MSI Shear Web | 823 |
| MSI Tension Link | 824 |
| Shackle Dimensions | 825 |
| MSI-8000 | 826 |
| MSI-8000HD | 827 |
| MSI-8004HD | 829 |
| MSI Scoreboards Wireless RF | 831 |
| TranSend™ MSI-7000 | 832 |
| TranSend™ MSI-7001 | 833 |
| TranSend™ MSI-7000HD | 835 |
| TranSend™ MSI-7001HD | 836 |
| ScaleCore Webserver | 837 |
| Rugged Remote | 839 |
| Wi-Fi Information Request | 840 |

Pipe Lever Scales

| | |
|--------------------------------|-----|
| Table of Contents | 841 |
| Pipe Lever Scale | 842 |
| Pipe Lever Scale Questionnaire | 843 |

Power Conditioning

| | |
|---|-----|
| Table of Contents | 845 |
| Selecting the Best Power Conditioning Devices/ Equipment for Your Application | 846 |
| Transient Protection AC, DC, Series and Parallel | 848 |
| TP232 RS-232 | 849 |
| Tripp-Lite DNET1 | 850 |
| LCP-1 DC | 850 |
| UJB3T6 DC | 851 |
| TP75 DC | 852 |
| ISOBLOK® | 853 |
| ISOBAR® | 854 |
| EL226 | 855 |
| EL225-4 | 856 |
| Sola MCR Series | 856 |
| Tripp-Lite PV Series | 857 |
| Tripp-Lite LC1200 | 857 |
| Sola S1K/S3K | 858 |
| Eaton 3S/5S | 858 |

Precision Industrial Weighing

| | |
|-------------------------|-----|
| Table of Contents | 859 |
| MINEBEA INTEC | |
| Midrics® Series | 860 |
| Midrics® 2 Series | 861 |
| Combics® 2 | 862 |
| Midrics® 1 and 2 Series | 863 |
| Signum Series | 864 |
| Combics® 1 | 866 |
| Combics® 2 | 867 |
| Combics® 3 | 868 |
| PURO® SmallFlat | 869 |

| | |
|---------------------------------------|-----|
| PURO® LargeFlat | 870 |
| PURO® SmallTall | 871 |
| PURO® LargeTall | 872 |
| PURO® LargeCount | 873 |
| Combics® | 874 |
| IF Series | 875 |
| <i>Painted Steel Platform Scale</i> | |
| IF Series | 877 |
| <i>Stainless Steel Platform Scale</i> | |
| IS Series | 879 |
| Signum EX Supreme, Explosion Proof | 880 |
| Combics® 2 Ex, Explosion Proof | 881 |
| Combics®, Explosion Proof | 882 |
| IF Series, Explosion Proof | 883 |
| Inteco | 885 |
| Inteco | 886 |
| PR6202 | 887 |
| Contego-Hygienic Weigh Module Kits | 888 |
| PR5220 Ethernet TCP/IP Transmitter | 889 |
| PR5230 Fieldbus Transmitter | 890 |
| DIGI® DSX-1000 | 891 |

Printers

| | |
|--|-----|
| Table of Contents | 893 |
| Rice Lake SURVIVOR® SST4™ | 894 |
| Rice Lake GUARDIAN™ | 895 |
| Rice Lake GUARDIAN G-2™ | 895 |
| Rice Lake POLY GUARD | 896 |
| GoDEX® DT2x | 897 |
| GoDEX® DT4x+ | 898 |
| GoDEX® G500 | 899 |
| GoDEX® GX4000i Series | 900 |
| GoDEX® ZX1200i+ | 901 |
| GoDEX® ZX400i+ Series | 902 |
| Honeywell® PD45S | 903 |
| Honeywell® PM45 | 904 |
| Honeywell® PX940 | 905 |
| EPSON® TM-T88VI | 906 |
| EPSON® TM-U220 | 907 |
| EPSON® TM-U295 | 908 |
| EPSON® TM-U590 | 909 |
| Star® SP742 | 910 |
| Star® TSP 847 | 911 |
| Star® TSP743 II | 912 |
| Zebra® ZD411 | 913 |
| Zebra® ZD421 | 914 |
| Zebra® ZQ630 | 915 |
| DTL | 916 |
| DTL Plus/DTT | 917 |
| DTL-SYN | 917 |
| TTL | 918 |
| Fantastock | 918 |
| TTT Standard | 919 |
| SDR Super Durable Ribbon | 919 |
| MaxWax™ GPR | 920 |
| Tape and Ticket Printer Impact Ribbons | 921 |
| Tape Printer Paper Supplies | 922 |
| Electronic Scale Tickets | 923 |
| Mechanical Scale Tickets | 924 |
| Replacement Printheads | 925 |
| Printer Cables | 926 |
| Dust Covers | 927 |

Remote Displays / Scoreboards

| | |
|----------------------------|-----|
| Table of Contents | 929 |
| LaserLight2™ | 930 |
| LaserLight3™ | 932 |
| LaserLT-60 and LaserLT-100 | 934 |
| RD-232 | 936 |
| RD-300 | 937 |

Retail Scales

| | |
|--|-----|
| Table of Contents | 939 |
| Rice Lake RS-130/RS-160 | 940 |
| Ishida Astra II | 941 |
| Ishida Astra II Standard Label Formats | 943 |
| BenchPro™ BP-R | 944 |
| QuikSharp™ | 946 |
| Weight Set | 946 |

Scanners

| | |
|---------------------------------------|-----|
| Table of Contents | 947 |
| Datalogic QuickScan® QD2590 | 948 |
| Datalogic PowerScan® PD9130 Series | 949 |
| Datalogic PowerScan® RF PM9100 Series | 950 |
| Zebra® DS457 | 951 |

Software Systems

| | |
|------------------------|-----|
| Table of Contents | 953 |
| Interchange | 954 |
| Myrias® | 955 |
| OnTrak® Enterprise | 957 |
| OnTrak® | 958 |
| RL Web Display | 959 |
| VIRTUj2® | 960 |
| VIRTUlink™ | 961 |
| WeighVault® | 963 |
| WinWedge® TAL Software | 964 |

Vehicle Scales

| | |
|---------------------------------|-----|
| Table of Contents | 965 |
| SURVIVOR® Truck and Rail Scales | 966 |
| RailBoss® | 967 |
| RoughDeck® AX | 970 |
| AX3040 | 971 |
| RoughDeck® AX-1 | 972 |
| Load Ranger | 974 |
| Load Ranger Cart | 976 |

Shipping Information

| FREIGHT SERVICES OFFERED | "SMALL PACK" | LTL | TRUCK LOAD |
|-------------------------------------|--------------|-----|------------|
| Nationwide Same Day Service | Y* *** | Y* | N |
| Next Day (AM) | Y** | Y** | Y** |
| Next Day (END OF DAY) | Y | Y** | Y** |
| 2 Day | Y | Y | Y |
| 3 Day | Y | Y | Y |
| Ground | Y | Y | Y |
| Canada | Y | Y | Y |
| Mexico | Y | Y | Y |
| Express Freight (Air-over 150 lb)** | Y | Y | N |
| International (Sea) | Y | Y | Y |
| International (Air) | Y | Y | N |

* Subject to cost/distance

** Subject to distance

*** Subject to flight availability and proximity of nearest airport

Same Day Services

These services do not carry the same service guarantees that standard delivery schedules do and are subject to availability.

Small Parcel Services

We ship with internationally recognized parcel carriers based on delivery time and services offered.

Determining Dimensional Weight for Small Parcel Shipments for Air and Ground

When shipping via air services, carriers require the shipping weight be determined by the greater of the boxed product's actual weight or its dimensional shipping weight. The formula for calculating dimensional shipping weight is as follows:

Domestic shipments via Ground or Air: $L \times W \times H / 139$.

International air shipments: $L \times W \times H / 139$.

Please note: Rice Lake Weighing Systems takes the added precaution of double-boxing some of our electronic products and balances. This may result in higher dimensional weight charges by the carrier. Even with this added precaution, we suggest you always ship high precision and fragile products via air services to reduce excessive handling.

Less Than Truckload (LTL)

Full service LTL coverage for the continental United States, Puerto Rico, Canada and Mexico.

Note: A standard LTL delivery is considered to be one that ships from either a company or partner dock to arrival at a standard commercial address with disposition of the goods at the rear of the truck to enable off loading by material handling equipment provided by the consignee at either ground level or via loading dock. The freight in question should be palletized and secured in a way to facilitate the safe handling of the freight with no one dimension over six feet.

Any LTL delivery falling outside of this criteria may well accrue accessorial charges levied by the carrier in line with their tariff rules. It is recommended that any potential accessorial costs are discussed at the time of order placement so these costs can be billed appropriately at the time of shipment. If this is not the case, Rice Lake reserves the right to charge the customer retrospectively for any accessorial costs incurred during the delivery process.

Accessorial charges include, but are not limited to the following:

Lift gate, call for appointment and guaranteed delivery: Day and by 10:30 a.m. (where available). Excessive length, inside delivery.

NOTE: To inside of first threshold crossed only, high cost delivery areas such as government sites and mines, re-delivery, re-consignment, residential and restricted access shipments. All prices are available on request.

Full Truckload

Various truckload providers give us the ability to ship to the contiguous United States, Alaska, Canada and Mexico.

Forwarders (International Freight)

We can provide service through a forwarder of our choice, or select one of your preferred forwarders.

Air freight: All of our forwarders are internationally recognized brands.

Ocean freight: All of our forwarders are internationally recognized brands.

Rice Lake Weighing Systems Freight Claims Procedure

Incidents can happen anytime between a package's departure from Rice Lake's loading dock and the time you receive it. For that reason, we are asking you to follow the procedures below when receiving a shipment.

The Bill of Lading (BOL) or Delivery Receipt (D/R) is the only record of the product's condition when it arrives at your site. If you do not inspect a shipment before signing, you are essentially waiving the right to collect on a damage claim regardless of whether the damage is visible or concealed. Your signature on a delivering carrier's BOL or D/R constitutes acceptance of the merchandise "as is." This proof is essential in filing a claim and holding the responsible parties accountable for items damaged or missing while in transit. Remember, once you sign, the goods and responsibility are yours.

Receiving a Shipment

- Check immediately for possible damage during shipment. Inspect, examine and inventory your delivery as it is unloaded.
- Open cartons and containers. Any suspicion of damage or shortage must be noted on the BOL or D/R. This information must include the item, discrepancy and condition of the item in question. If this is NOT noted, the liability to prove the damage was done by the delivering carrier is your responsibility.
- The driver cannot leave your receiving dock until the BOL or D/R is signed, regardless if they are behind schedule or not. Do not be intimidated by the driver.

Damaged Shipment

- Discovered damage: If the box, crate or merchandise is visibly damaged beyond what you would consider to be normal shipping wear and tear, refuse the delivery and request a Return Authorization Number from the driver in order for the shipment to be sent back to its origin at no charge.
- Concealed damage: Immediately document and photograph the damage and packaging. Keep all crating and packaging material with the damaged item(s) for inspection by the company's claim inspector until told to either return or dispose of the item(s). The item(s) should be moved minimally—only to an area where it can be inspected by the carrier or their agent.
- Keep a second copy of the BOL or D/R noting the damage and the driver's signature.
- Call your Rice Lake customer service representative to report the shortage and/or damage. Ideally, the call should be made before the driver leaves the site.

At this point, a claim for concealed damage will be started and an inspection will be requested. The inspector will determine if the damage was possibly caused by the carrier. A report and claim must be filed with the carrier within seven days after delivery. The sooner concealed damage is discovered and reported, the better.

Small Parcel Shipments

In general, it is the policy of small parcel carriers to NOT deliver damaged packages but rather take them back to the distribution center for evaluation. HOWEVER, that does not always happen. Occasionally if the package is deemed to be ok, it will be re-taped and delivered to the consignee. If damage is noticed while still at the distribution center, a notation should have been entered into the system.

If you do receive a package that appears to be damaged you can either refuse as damaged or accept the damaged package and report the damage (immediately) to your Rice Lake customer service representative with the tracking number. They will, in turn, contact the relevant team member from their support group so the claims process can be started. It should be noted that **drivers do not normally note the package was damaged until it is brought back to the distribution center. A clerk will note damage at that point.**

Questions

If you have any questions about shipping or potential damages to your shipment, contact us at 800-472-6703 and a member of our sales and logistics team will assist you.

Customer Service Contacts

At Rice Lake Weighing Systems, we strive to give you the best customer service in the industry. You can depend on our knowledgeable staff to deliver decisive, courteous assistance when you need it most.

Customer Service Representative Hours (CST):

Monday through Friday 6:30 AM to 6:30 PM; Saturday 8:00 AM to Noon

United States and Canada Field Sales



Tim Campbell
Great Lakes Region
715-434-5067



Tim DeDoncker
Allegheny Region
715-736-6436



Jim Gruchalla
Lower Midwest Region
715-434-5084



Dino Valverde
Mid-Southeast Region
715-434-5069



Reggie Mabe
Western and Eastern
Canada Region
715-434-5049



Monte Martinson
Upper Midwest Region
715-736-6466



Gabriel Ruberti
Southeast Region
715-434-5157



Jim O'Brien
Northeast Region
715-736-6487



Toby Mailes
Southwest Region
715-434-5047



Steve Delaney
Mid-Southwest Region
715-434-5293



Jon Spencer
Northwest Region
715-434-5370

International Field Sales



Alessandro Mattioli
International Sales
Director
+39 0536 843 418



Manuel Talancon
Director of
Latin America Sales
and Operations
715-434-5041



Martin DeVilla
Southern Mexico
+52 81 1516 5938



Carlos Aguilera
Northern Mexico
+52 81 8356 5062



Daniel Brito
Latin America/
Caribbean
+507 6835 2515



Jaap Oosterlee
Master Brand, Europe
+31 06 30048248



Frank Da Silva
Central/South America
+507 6480 5171



CW Pang
Southeast Asia
+60-12-201-6262



Phil Maillols
Oceania
+61 45 144 1755



Marco Casolari
Northern Europe/
Balkans
+39 329 649 9997



George Cox
UK/Ireland
+44 (0) 7821 122257



Richard Pouncy
UK/Ireland
+44 (0) 7517 861263



Luca Prampolini
Italy
+39 344 2528841



Manuel Goncalves
Spain/Portugal
+351 937173756



Stefano Ferli
Italy/OEM
+39 351 273 1978



Vitaliy Domalchuk
Central Europe
+39 344 2686947



Alessio Balatti
France
+39 344 2528126



Mathieu Favreau
France
+33 0148 734 347



Riccardo Spezzani
East Europe/Poland
+39 320 3819266



May Deng
China
+86 21 66314055



Rashid Alam
Middle East/Africa
+917 50 4570896

Customer Service Contacts

CUSTOMER ASSISTANCE

Customer Relations



Mark O. Johnson
Chief Executive Officer



Mark Johnson, Jr.
President



Steve Parkman
Chief Operating Officer



Nick Peterson
Chief Financial Officer



Tom Kowalski
Chief Information Officer



Steve Hersman
Vice President of Global Sales



Dominic Hodkiewicz
Vice President of Manufacturing



Patrick Ranfranz
Vice President of Global Marketing



Glenn Zalusky
Vice President Strategic Business



Tim Donahue
Director, Global Product Management/Engineering



Guru Ganesh
Managing Director, India



Walter Hendriks
Managing Director, Master Brand, Europe



Massimo Corradini
General Manager Engineering/Manufacturing Modena, Italy



Enrico Tosi
General Manager Business/HR/Finance Modena, Italy



Kris Lagace
Director of Logistics



Jim Norvid
Director of Mechanical Engineering



Joe Ramos
Director of Electrical/Software Engineering



Brandi Harder
Quality Manager



Sam Bower
Training Coordinator



Greg Stager
Technical Training Specialist

Inside Sales



Deanna Stanley
Inside Sales Manager



Keven Jensen
Warranty Coordinator



Jody Elmquist



Melissa Hatlan



Sonya Hegle



Stacie Lashmett-Stoebert



Jim Maier



Gene Marquardt



Matt Piazza



Shannon Paul



Jamie Springer



John Tennant



Casey Sutherland



Lynnette Thompson



Jon Thurs



Kally Wagner

Customer Service Contacts

Sales Engineers



Tommy Guest
Sales Resource
Manager



Sam Brower



John Eisele



Dan Hunt



Doug Hagie



Sharon Miller



Efrain Molinari
Habla Español



Preston Reed

Health Sales



Staci Wiesner

Heavy Capacity Sales



Karen Hansen



Stacie Lashmett-
Stoeberl



Tony Zillmer

International Region



Jennifer
Krahenbuhl



Gloria Miranda
Habla Español



Bobbie Stiver
Habla Español
Parle Français

Livestock Sales



Keven Jensen



Gene Marquardt



Shannon Paul



Matt Piazza



Casey Sutherland



Tony Zillmer

MSI Overhead Weighing



Phil Gray



Bob Davis



Rob Upright



Patrick Hillman



Sue Radowick



Rob Nelson



David Garcia

Customer Service Contacts

CUSTOMER ASSISTANCE

Technical Support



Tommy Guest
Sales Resource
Manager



Brent Craine



David Dietz



Alan Dobrowolski



Isaac Holt



Pete Jacobs



Owen Korpela



Torey Nelson



Seth Poulter



Scott Ross



Joel Thompson



Mark Ware



Don O'Connell
Retail



Chris Olson
Retail



Matt Rigden
Retail

Repair Department



Phil Stoeberl
Electronic Assembly
Repair Manager



Diane Gagner



Lisa Maciosek



Randeel Bauch



Chad Dobrowolski



Morgan Frisinger



Hannah Ince



Tonya Krahenbuhl

Receptionists



Tracy Lavalere



Terica Schamberger
Sales Administration
Supervisor



Chantel Holmes



Ashley Janota



Trish Schultz

Financial Services



Wendy Boese
Financial Services
Supervisor



Lynette Marshall



Nicole Dostal



Melissa Olson



Mackenzie Lord



Leanne Madsen



Brianna Nelson

Trademarks

The following product names, logos, brands and other trademarks featured or referred to within this publication are the property of their respective trademark holders.

| | | | |
|----------------------|--------------------|-----------------------|------------|
| Access™ | Flintec™ | Novell® | SUREFOOT™ |
| Adventure Pro® | Genius® | OHAUS® | Symbol® |
| Allen-Bradley® | Hewlett-Packard™ | OKI® | TekLynx® |
| Amphenol® | Howe™ | Pax® | Toledo® |
| AstraLabel™ | IBM® | pcANYWHERE® | Torque™ |
| AstraLink™ | InCal™ | Peachtree® | TRANSCORE® |
| AutoCal™ | Intel® | Pelican™ | Trooper® |
| Beldfoil® | Interchange® | Pick N Pluck™ | Turck® |
| Bitstream® | Intercomp CS™ | Pioneer™ | Valor® |
| Bluetooth® | Intercomp PT300DW™ | PowerCell® | Voyager® |
| Cardinal® | Intercomp PT300™ | Powerware® | Vulcan® |
| Cent-O-Gram® | IONMASTER™ | PreVent™ | WinCT® |
| Centronics® | iPAQ™ | Prodigy Max™ | Windows® |
| Citizen® | ISOBAR® | Prodigy™ | WinWedge® |
| ConnexLink™ | ISOBLOK® | Profibus® | Xscale® |
| ControlNet® | JavaPOS™ | ProPrinter® | XTend-PKG™ |
| Conxall® | LabelView™ | Quencharc® | Zebra® |
| CRS™ | LifeGuard™ | Quickbooks® | ZigBee™ |
| Cubis® | Linux® | QuickScan® | ZPL® |
| Datalogic QuickScan® | LoopTracker™ | QuikSharp™ | |
| Datamax-O'Neil® | Lotus™ | R Stahl® | |
| DeviceNet™ | Maxi-Scoop™ | Ranger™ | |
| Dial-O-Gram® | MaxWax™ | Rapid Exchange® | |
| DIGI® | Microline® | Rockwell Automation® | |
| Discovery™ | Microsoft® | Roman and Swiss™ | |
| Dymo® | Midrics® | S4M™ | |
| EPL® | MIFARE® | Sartorius® | |
| EPL2® | Minebea Intec | Scout Pro® | |
| EPSON® | Mobile 5.0™ | SI® | |
| ESC/POS® | Motiontrap™ | STAR® | |
| Excel™ | Motorola ColdFire® | The Crosby Group LLC® | |
| Explorer® | MS-DOS™ | | |
| Fairbanks™ | NatraSorb® | | |

The terms “buyer,” “authorized reseller,” and “customer” as used herein, shall mean the party placing the purchase order with Rice Lake Weighing Systems. No contractual relationship between Rice Lake Weighing Systems and said party shall arise until such time as a purchase order has been accepted by Rice Lake Weighing Systems and such acceptance has been indicated on a written acknowledgment. Orders shall be subject to Rice Lake Weighing Systems’ standard terms and conditions as printed below, subject to correction for clerical errors.

Any conditions stipulated by the buyer which are in contradiction to these sales terms and conditions shall only be valid if expressly acknowledged by Rice Lake Weighing Systems in writing.

1. Prices

(a) Rice Lake Weighing Systems (Rice Lake) prices are net 30 days Ex Works Rice Lake plants. Orders are subject to approval of our credit department with rights reserved to change or withdraw credit terms without notice and to terminate any orders when invoices for work done thereon have gone unpaid for 60 days.

(b) Prices do not include taxes of any kind by federal, state, municipality or other governmental authority, which Rice Lake may be required to collect or pay with respect to the sale or shipment of goods sold hereunder. Regardless of when any such taxes are determined or become payable, all taxes would be the responsibility of the customer and would be in addition to the prices quoted hereon.

(c) This quotation is made upon the basis of the cost of materials and labor as of the date of this quotation. A change in such costs shall give Rice Lake the right to alter prices to reflect such changes in cost.

(d) Requests for additional documentation, drawings, audits of factories or inspection of equipment in-process, additional testing, additional inspections and record retention will be quoted as a separate item even if we have already issued quotations for products and services.

2. Shipment, Title, Risk of Loss

(a) All shipments are Ex Works point of shipment. Title and risk of loss or damage passes to the customer upon presentation of the goods to the customer’s carrier at Rice Lake’s facility.

3. Quantity, Materials and Tolerances

(a) Rice Lake assumes no responsibility for loss or damage occurring by reason of delay or inability to deliver caused by fires, strikes, accidents, embargoes, car shortages, delays of carriers, insurrection, riots, acts of the civil or military authorities, nor will we assume responsibility for any reason whatever for damages of any kind on account of failure to deliver at the time specified. The customer shall indemnify and hold Rice Lake harmless from all direct and consequential costs and damages resulting from such loss or delay.

4. Weight Calibration Services

The uncertainty of measurement is included in the decision rule in determining pass/fail criteria of the Maximum Permissible Error (MPE).

5. Patents

If this quotation covers parts made specifically for the customer, the customer agrees to indemnify and hold Rice Lake harmless against any loss resulting from infringement of patents or trademarks, or from claims of such infringements and shall pay all legal and defense costs incurred by Rice Lake in the defense of such actions.

6. Software

Unless specifically otherwise stated, any and all software associated or part of any product sold, loaned on trial or demonstration to the customer is to be considered proprietary to Rice Lake. The customer agrees not to duplicate for distribution or to sell or distribute in any way without the prior written consent of Rice Lake.

7. Changes and Cancellation: Rejection, Claims

(a) Orders placed with Rice Lake are not subject to cancellation, change or reduction in amount or suspension of deliveries except with Rice Lake’s consent and upon terms that indemnify Rice Lake against loss. Unless confirmed in writing, all verbal agreements are void.

(b) Rice Lake will not be responsible for changes in design, deliveries or other instructions, unless they are furnished in writing. The customer agrees to pay for all tooling charges caused by changes in design or specifications.

(c) Samples submitted shall be deemed approved unless written rejection is received within two weeks of submission.

(d) Manufactured parts will be shipped and billed as they are produced.

(e) Claims for shortage or rejections for defects must be made within 10 days of receipt of goods. Credit will be rendered on such defective parts after we have had an opportunity to inspect them, provided they are returned to our factory, transportation charges prepaid, within 30 days, and provided they have not been altered or defaced in any way.

8. Tooling and Designing

(a) In consideration of the engineering service necessary in the designing of jigs, fixtures and tooling not being charged for, but being quoted on the basis of labor and material only, and not at their fair market value, such jigs, fixtures and tooling shall remain in our possession for at least one year. Thereafter, the customer desiring delivery of such jigs, fixtures and tooling shall pay an engineering charge of 50 percent of the original price of said jigs, fixtures and tooling and accept same as-is.

(b) When requested, we will submit suggestions concerning design and construction of parts, but we will not accept responsibility of liability for the practicability of these suggestions if adopted by the customer.

9. Delivery and Adjustment to Price

(a) If the customer requests that the goods be manufactured and shipped on a date (or dates) earlier than originally agreed to by Rice Lake and the customer, and Rice Lake agrees to the earlier date (or dates), any increase in the cost of performance incurred by Rice Lake resulting from earlier manufacture and shipment will be included in an adjustment of the purchase price to be made by Rice Lake and will be paid by the customer.

Terms and Conditions

(b) Should shipments be held beyond scheduled date for convenience of the customer, goods will be billed and charges will be made for warehousing, trucking and other expenses incident to such delay. Reasonable and sufficient care is taken by Rice Lake in crating its goods. Rice Lake cannot be held responsible for breakage after having received “in-good-order” receipts from the transportation carrier. All claim for loss and damage must be made by the customer to the carrier, but we will assist insofar as practical in securing satisfactory adjustment of such claims.

10. Payment and Liens

(a) All invoices shall be due and payable when submitted for payment in accordance with the revisions of Rice Lake terms. No withholding of funds, back charges or credits against amounts otherwise due to Rice Lake will be permitted unless specifically agreed to in writing by Rice Lake. Settlement of any amounts due to the customer will be negotiated as separate items and not as offsets against amounts otherwise due to Rice Lake from the customer for products sold hereunder.

(b) Any unpaid account for work done shall constitute a lien on any jigs, fixtures, manufactured parts and raw materials in Rice Lake possession. In the event any account remains open and unpaid for 90 days, Rice Lake reserves the right to use the customer’s jigs and fixtures to make parts therefrom, and to sell or dispose of manufactured parts and raw materials.

(c) The customer shall not assign or transfer any rights or obligations arising from this proposal, or monies payable thereunder, without the prior written consent of Rice Lake, and any such assignment or transfer made without such written consent shall be deemed null and void.

11. Additional Provisions

(a) Errors—stenographic and clerical errors are subject to correction.

(b) These terms and conditions constitute the entire contract between the customer and Rice Lake, transcending any oral arrangements or representations which may be inconsistent therewith.

(c) This quotation is made under and shall be governed by the laws of the state of Wisconsin.

12. Resale of Rice Lake Weighing Systems Products

In order to ensure compliance with the U.S. Export Administration Regulations we ask you to comply with the following:

(a) The customer shall not export or re-export Rice Lake Weighing Systems products, either directly or indirectly, in contravention of any applicable law, statute or regulation and will first obtain any required licenses or authorizations from the relevant government authority when necessary as prescribed by law.

(b) The customer confirms that it is familiar with and complies with the relevant national and international export control regulations and embargo regulations. The customer furthermore confirms that it is in particular familiar with and complies with the U.S. Department of Commerce, Export Administration Regulations; U.S. Department of Treasury, OFAC Sanctions; the U.S. Department of Defense, ITAR requirements and the U.S. Department of State regulations.

(c) If deemed necessary, Rice Lake Weighing Systems, in individual cases may make further requests from the customer for information required for export compliance.

(d) Should it be necessary for the customer to obtain an export license from the appropriate authorities pursuant to the aforementioned regulations, the customer shall apply for such a license autonomously and at their own expense.

The foregoing warranties are exclusive and in lieu of all other express and implied warranties whatsoever, including but not limited to implied warranties of merchantability and fitness for a particular purpose. Rice Lake shall not be subject to any other obligations or liabilities whatsoever with respect to parts manufactured or supplied by Rice Lake or services rendered by it.

Anything herein to the contrary notwithstanding, Rice Lake shall not be liable for incidental and consequential damages, and in substitution for all remedies which the customer may have under any applicable law. The customer’s sole and exclusive remedy against Rice Lake for any breach of warranty or any other breach relating to goods delivered pursuant hereto shall be for repair or replacement (at Rice Lake’s option) of the goods or parts effected by such breach.

Warranties

Standard Product Limited Warranty

Rice Lake Weighing Systems (Rice Lake) warrants that all Rice Lake brand equipment and systems properly installed by an Authorized Reseller or original equipment manufacturer (OEM) will operate per written specifications as confirmed by the authorized reseller/OEM and accepted by Rice Lake. All systems and components are warranted against defects in materials and workmanship for one (1) year from the date of shipment from Rice Lake, unless otherwise stated in the product catalog or manual. Rice Lake warrants that the equipment sold here under will conform to the current written specifications authorized by Rice Lake. Rice Lake warrants the equipment against faulty workmanship and defective materials. If any equipment fails to conform to these warranties, **Rice Lake will, at its option, repair or replace such goods returned within the warranty period subject to the following conditions:**

Upon discovery by the Customer of such nonconformity, Rice Lake will be given prompt written notice with a detailed explanation of the alleged deficiencies.

Individual electronic components returned to Rice Lake for warranty purposes must be packaged to prevent electrostatic discharge (ESD) damage in shipment. Packaging requirements are listed in the publication, “Protecting Your Components From Static Damage in Shipment,” available from the Rice Lake Equipment Return Department.

Examination of such equipment by Rice Lake confirms that the non-conformity actually exists, and was not caused by accident, misuse, neglect, alteration, improper installation, improper repair, or improper testing. Rice Lake shall be the sole judge of all alleged non-conformities.

Warranty and Limitation of Liability

Such equipment has not been modified, altered, or changed by any person other than Rice Lake or its duly authorized repair agents.

Cutting the load cell cable will void the warranty.

Rice Lake will have a reasonable time to repair or replace the defective equipment. The Customer is responsible for shipping the product to Rice Lake. Rice Lake is responsible for shipping the product back to the Customer.

In no event will Rice Lake be responsible for travel time or on-location repairs, including assembly or disassembly of equipment. Nor will Rice Lake be liable for the cost of any repairs made by others.

On all intrinsically safe equipment, any field repair or modifications voids any and all warranties expressed or implied and void F.M. approval.

Any loose hardware, screws, washers or non-ESD bags of hardware stored inside indicator will void warranty. This could cause harm to repair technician or damage CPU board.

If just the board is sent in for repair, the serial number of the product the board is from should accompany the board.

These warranties exclude all other warranties, expressed or implied, including without limitation warranties of merchantability or fitness for a particular purpose. Neither Rice Lake nor the authorized reseller will, in any event, be liable for incidental or consequential damages at the point of use. Rice Lake and the Customer agree that Rice Lake's sole and exclusive liability here under is limited to repair or replacement of such goods. In accepting this warranty, the Customer waives any and all other claims to warranty.

Should the seller be other than Rice Lake, the Customer agrees to look only to the seller for warranty claims. No terms, conditions, understanding, or agreements purporting to modify the terms of this warranty shall have any legal effect unless made in writing and signed by a corporate officer of Rice Lake and the Customer.

Carrier Product Damage

As part of our commitment to customer satisfaction and in accordance with ISO 9001 standards, we make every attempt to pack our products so they will arrive in new condition. Occasionally due to rough handling or carelessness of carrier, product may arrive in a damaged condition. When this happens, don't assume that the shipment left Rice Lake in that condition or that the original packing was not sufficient.

The receiver, whether it is the authorized reseller or their Customer, is responsible for making a notation of damaged or missing items when signing the carrier's delivery receipt. If you or your Customer are not sure whether there is damage, we suggest adding a statement "CONDITION UNKNOWN" to the delivery receipt. In the event that damage or missing items are not properly documented at time of receipt, the carrier is relieved of responsibility and the receiver is then responsible for the cost to get the product back to new condition.

After the damage or shortage has been properly noted with the carrier, contact Rice Lake immediately and keep all the original packaging material for inspection by the carrier's representative. It is also helpful in the claim process to take pictures of the condition of the packaging and damage.

When drop-shipping items to your Customers, it is imperative that you advise them of their responsibility in accepting shipments from common carriers. Even if the equipment is not expected to be installed or used for a period of time, the shipment must be inspected at time of receipt in order to preserve their rights for making a claim.

Custom Software Limited Warranty

Rice Lake Weighing Systems (Rice Lake) warrants that (a) the software will perform in accordance with the specification and accompanying written endorsement by the Customer for a period of 90 days from the date of receipt; (b) any hardware accompanying the software will be free from defects in materials and workmanship under normal use and service for a period of one (1) year from the date of shipment from Rice Lake; and (c) the Customer should perform inspection and testing of software products prior to installation.

This limited warranty is void if failure of the software or hardware has resulted from accident, abuse, misapplication, or incorrect Customer specification. Any replacement software will be warranted for the remainder of the original warranty period or 30 days, whichever is longer.

If the software fails to conform to these warranties, Rice Lake will, at its option, repair or replace such goods returned within the warranty period subject to the following conditions:

Upon discovery by the Customer of such nonconformity, Rice Lake will be given prompt written notice with a detailed explanation of the alleged deficiencies.

Examination of software by Rice Lake confirms that the nonconformity exists, and was not caused by accident, misuse, neglect, alteration, improper installation, improper repair, improper testing, or incorrect Customer specification. Rice Lake shall be the sole judge of all alleged non-conformities.

Rice Lake will have a reasonable time to repair or replace the software. The Customer is responsible for shipping charges both ways.

In no event will Rice Lake be responsible for travel time or on-location repairs, including assembly or disassembly of equipment. Nor will Rice Lake be liable for the cost of any repairs made by others.

These warranties exclude all other warranties, expressed or implied, including without limitation warranties of merchantability or fitness for a particular purpose. Neither Rice Lake nor the authorized reseller will, in any event, be liable for incidental or consequential damages at the point of use.

Rice Lake and Customer agree that Rice Lake's sole and exclusive liability here under is limited to repair or replacement of such goods. In accepting this warranty, the Customer waives any and all other claims to warranty.

Warranty and Limitation of Liability

Should the seller be other than Rice Lake, the Customer agrees to look only to the seller for warranty claims.

No terms, conditions, understanding, or agreements purporting to modify the terms of this warranty shall have any legal effect unless made in writing and signed by a corporate officer of Rice Lake and the Customer.

Return Policies

Our commitment to our Customers states that if any standard product purchased from Rice Lake does not work, or if the incorrect product is shipped, **return it in its original shipping carton with all accessories in “like new” condition** for full credit or replacement within 30 days of purchase. **Electronic components returned to Rice Lake must be properly packaged to prevent electrostatic discharge (ESD) damage in shipment.** Packaging requirements are listed in the publication, “Protecting Your Components from Static Damage in Shipment,” available online or from our Returns Department. This policy and the 30-day limit also apply to any products drop-shipped directly from the manufacturer.

Please note that if an incorrect quantity of product was shipped, Rice Lake must be contacted within 10 days of the purchase. Upon notification, we will immediately correct the situation.

A restocking charge will apply if equipment is not in like-new condition. The restocking charge is directly proportional to the amount of time and material required to return the item to resalable condition—we will make every effort to do this quickly and economically. Equipment that has been abused and/or shows signs of excessive wear and cannot be reconditioned and resold will not be accepted for return or credit after excessive wear or has been modified.

As Applied to Drop Shipments

All Rice Lake return guidelines apply to products drop-shipped directly from the manufacturer. If a perceived error occurs, Rice Lake will investigate to the best of our ability to determine if the error occurred prior to shipping, during shipping, or at the end user site. If our records and subsequent investigation indicate that the shipment was correct when it left our factory, our responsibility extends only to the authorized reseller, not their end user. Our standard product warranty notes that our coverage extends only to equipment and systems **properly installed by an authorized reseller.**

Obtaining an RMA

A return authorization number (RMA) is required for all materials being returned to Rice Lake for credit. Flat rate repairs require purchase orders at time of RMA issuance. When returning equipment for repair or warranty reimbursement consideration, these simple steps will help to expedite your request:

1. Contact our Returns Department.
2. Please have your customer number and both the item description and detailed findings of product problem for repair.
3. Please have the original sales order or invoice number for items to be returned for credit or warranty.
NOTE: See return policy
4. An RMA number will be given for eligible returns. This RMA number may also be faxed or emailed per your request.

Return Shipments Outside the United States for Repair, Warranty, Calibration or Other Services and Re-export.

For shipment to the USA:

1. The commercial invoice must include the following statement:
 - i. “These goods are being returned for maintenance under”
 - ii. Goods Made in the USA -- “HTS 9801.00.1012”
 - iii. Goods NOT made in the USA -- “HTS 9801.00.2500”
2. The commercial invoice must list items individually and include the fair market value of the item based on its present condition for customs purposes only.
3. Please reference original Rice Lake commercial invoice number and date item was purchased if applicable.
4. Please note that failure to follow these procedures may cause delay and will certainly incur extra charges that will NOT be absorbed by Rice Lake.

Return Shipments Outside the United States Other Than for Repair, or Service Work Not Being Returned.

For shipment to the USA:

1. The commercial invoice must include the following statement:
 - i. Goods Made in the USA -- “HTS 9801.00.1045”
 - ii. Goods NOT made in the USA -- “HTS 9801.00.2500”
2. The commercial invoice must list items individually and include the fair market value of the item based on its present condition for customs purposes only.
3. Please reference original Rice Lake commercial invoice number and date item was purchased if applicable.
4. Please note that failure to follow these procedures may cause delay and possible reduction in your refund.
5. Please be advised that you may qualify for a refund of your duties and should contact your local customs authority for instructions and forms.

Special Order, Modified, Non-Catalog, or Non-Stock Items

Due to the added resources and difficulty in reselling special or non-standard products, returns or credit are not allowed for special order equipment, special software programs, equipment physically modified or altered in the field, discrete electronic components, relays, manuals, or opened software packages.

Calibration Test Weights

All weights returned for credit will be assessed a restocking charge because of the required inspection and verification. Credit is not allowed for serialized weights, calibration or traceable services performed on weights.

Calibration Test Weights

No returns will be accepted for items that are specifically modified for the Customer’s requirements. Examples of such modifications may include, but not necessarily limited to:

1. Weights that have been specifically built to the customer’s specifications.
2. Standard product specifically modified to the customer’s specifications.
3. Standard product engraved with serial numbers at the customer’s request.

Warranty and Limitation of Liability

4. Laboratory procedure charges.
5. Laboratory documentation fees.

Balances

Balances returned for credit within 30 days of purchase may be subject to a restocking fee if assessed by balance manufacturer.

Balance Repair Policy and Rates

We offer repair support on the following balance models:

- All Rice Lake brand models: Once we receive the equipment and the RMA form, an estimate will be prepared.

A minimum charge of one hour will apply. All balance repairs are covered by a 90-day limited warranty on parts and workmanship performed and noted under the scope of the specific repair.

Balances must be packaged to adequately protect them from damage in transit. Please refer to “How to Prepare a Balance for Shipment” available on our website and from our Returns Department.

How to Prepare a Balance for Shipment

The best and most effective method for shipping a balance at any time and for any reason is to use the original manufacturer’s packaging materials and subsequently double box it as described below. Teach your Customers to retain the packing set. Please remember that due to the nature of the equipment, new packaging materials can be very expensive.

In the event that the original manufacturer’s packaging materials are not available, follow these instructions for top loading balances.

1. Remove the weighing platform cover, support buttons, weighing platform, floor plate and other devices installed in the weighing chamber. Pack these pieces individually in bubble wrap and tape the wrapping closed. Follow this same procedure for AC adapters and power cords. Please note that AC adapters and power cords are necessary to adequately evaluate the problem.
2. Examine the device (refer to the operating instructions) and if necessary, re-install or tighten any shipping screws/retaining devices to prevent damage to the weighing mechanism during shipment.
3. If the floor plate is not removable, ensure it is securely in place and cannot come loose during shipment, even if the balance is inverted. Do NOT invert the balance to test the security of the floor plate.
4. Clean the device of any loose debris or potential contaminants to our testing facility.
5. Prepare and sign a Statement of Decontamination (form #0679). This form MUST be included in a separate packing list envelope on the outside of the box with the “Statement of Decontamination Form” statement clearly visible.
6. Using Scotch tape or “speed” tape, tape all the glass doors on the device CLOSED. Be sure the tape is securely affixed and will not come off during shipment. Please note that on some devices, the glass breeze-break around the weighing chamber can actually be disassembled and packed separate prior to shipment. Refer to the manufacturer’s operating

instructions. If this is a feature of the device being return, disassemble the breeze break and pack it in its own packing material and box.

7. Use a large box that will provide a minimum of 3 inches of space around the device for loose-fill packing material.
8. Place a padding of foam or Styrofoam (at least 1inch thick) at the bottom of the box.
9. Place the balance in a large plastic bag and seal the bag closed.
10. Please put the device on top of the foam padding or Styrofoam from step 8 above.
11. Ensure that there is at least three inches of clearance between the top of the balance and the top of the box.
12. Using generous amounts of anti-static loose-fill packing material, fill all the spaces around the balance. Shake the box to cause the material to settle and add additional loose fill as necessary.
13. Place the small box containing all the items from step 1 above on top of the loose fill covering the balance. Add additional loose fill to completely cover all items within the box.
14. Double pack this box in another box that will again provide an additional two inches of space around the inner box. Fill all existing space between the inner and outer box with copious amounts of anti-static loose fill packing material.
15. Seal the box and include all the necessary documentation on the outside of the box. Don’t forget the Decontamination Form (form #0679) from step 5 above.

Repair Service Policies

Our Service Department is staffed Monday through Friday from 6:30 A.M. to 6:30 P.M., and Saturday from 8:00 A.M. to noon, Central time. For those utilizing the conveniences of the internet, we have an e-mail address dedicated to technical support. Please contact Rice Lake at service@ricelake.com for answers to your technical questions and the status of repair products during normal business hours.

We provide quality and timely repairs for the products we sell. Flat rate repair is offered for selected models of indicators, printers and remote displays. Prior to returning a product for repair, our returns department will work with you to determine some key factors that will help Rice Lake better serve you. Please provide the following via phone to extensions 5348 or an RMA form.

Warranty and Limitation of Liability

- Customer Number: Without a customer number we cannot issue an RMA number.
- Ship-to Address: Your customer number will bring up the bill-to address. You must inform Rice Lake of the ship-to address if it's different than the bill-to address.
- **Original sales and invoice orders: Required on warranty claims.**
- Freight Type: Unless stated otherwise, we ship the device back to you utilizing the same freight type in which we received it. If Rice Lake is responsible for freight charges, the carrier will be selected at the sole discretion of Rice Lake.
- **Definition of Product and Problem: Please provide as much detail as possible regarding the type of product, application and problem.**
- Purchase Order Number for Flat Rate Repair: Once we receive the equipment and the RMA, equipment for flat rate repair will be processed immediately. Other equipment will be evaluated and a minimum evaluation charge will apply (contact the factory for exact pricing).

You may be asked about the possibility of a new replacement product. It may be in your customer's best interest to explore the option of purchasing a new product if the repair will exceed 50 percent of authorized reseller net price, since new products carry full-warranty benefits.

Please note our hourly service rate on all current Rice Lake products. Contact the factory for exact pricing. There is a 120-day limited warranty on parts and workmanship performed and noted under the scope of the specific repair.

California Proposition 65

Rice Lake Weighing Systems Statement

Proposition 65 requires businesses to inform Californians about exposures to chemicals that are listed by the State of California as known to cause cancer, birth defects or other reproductive harm. There are over 900 different chemicals listed under Proposition 65 and more chemicals are listed by the State of California each year. These chemicals may be in the products you purchase, or you may be exposed to them at home, at the workplace or within the environment. Proposition 65 enables Californians to make informed purchasing decisions about products that can expose you to these chemicals even in minute or trace amounts. California's Proposition 65 is a California only law.

Rice Lake Weighing Systems provides Proposition 65 warnings on the packaging of the products it sells that may require a warning in an abundance of caution. All of Rice Lake's products are safe for their intended use. We are providing this warning



based on the knowledge that one or more chemicals included in the California Proposition 65 list is present in Rice Lake Weighing Systems products even if only in trace or minute amounts. To the extent that customers repackage any Rice Lake products they have sole responsibility for ensuring that the Rice Lake Proposition 65 warning is provided if the repackaged product is sold in California. Any Rice Lake customer who repackages a Rice Lake product but does not include the Rice Lake Proposition 65 warning that is included on the Rice Lake packaging agrees to defend and indemnify Rice Lake by counsel of its choice if a claim is asserted against Rice Lake based on the failure to provide a Proposition 65 warning on the repackaged product. The Rice Lake terms and conditions prevail over any conflicting terms in customer's purchase documentation and customer's order and receipt of Rice Lake Products is deemed acceptance of Rice Lake's terms and conditions. More information about California's Proposition 65 can be found at www.P65Warnings.ca.gov.

Automated Ticketing

TABLE OF CONTENTS

| | |
|--|-----------|
| 1280 Truck Scale Kiosk | 22 |
| <i>Automated Truck Scale System</i> | |
| Weigh Out/Printer Kiosk | 23 |
| <i>Automated Truck Scale System</i> | |
| Weigh/Check In Kiosk | 24 |
| <i>Automated Truck Scale System</i> | |
| Printer Kiosk | 24 |
| <i>Direct Thermal Printer Kiosk</i> | |
| Printer Kiosk | 25 |
| <i>Thermal-transfer Printer Kiosk</i> | |
| Intercom Kiosk | 26 |
| Network Cameras | 26 |
| Network Components | 27 |
| Remote HID Box | 28 |
| HID Long Range Readers | 28 |
| RFID | 29 |
| <i>TransCore® SmartPass®</i> | |
| Multiprotocol Rail Reader and Parapanel Antenna | 29 |
| RFID Access Tags | 30 |
| RFID Transportation Tags | 30 |
| HID RFID Cards | 31 |
| HID RFID Readers | 31 |
| OnTrak® Enterprise | 32 |
| <i>Truck Scale Data Management Software</i> | |
| OnTrak® | 33 |
| <i>Truck Scale Data Management Software</i> | |
| Kiosk Safety Swing-away Arm | 34 |
| <i>Self Centering Kiosk Mount</i> | |
| Traffic Light Kits | 36 |
| Vehicle Loop Detector | 37 |
| EMX Lite Preformed Loops | 37 |
| Photo Eyes | 38 |

Product names, logos, brands and other trademarks featured or referred to within this publication are the property of their respective trademark holders.

1280 Truck Scale Kiosk

Automated Truck Scale System

AUTOMATED
TICKETING



PN 225096 shown with options

Standard Features

- 12-inch 1280 color touchscreen
- Stainless steel or mild steel enclosure
- 1,500 NIT display
- Two serial ports RS-232 or RS-485/422
- Operator prompting
- Formattable tickets
- Transmits weight to remote display
- 120 or 220 VAC
- 460 MB onboard database
- Ethernet TCP/IP (wired and Wi-Fi)
- Web server
- Direct thermal printer
- Internal heater
- Slide door access to ticket
- Works with standard 1280 programs, customization available
- One-year warranty

Optional Features

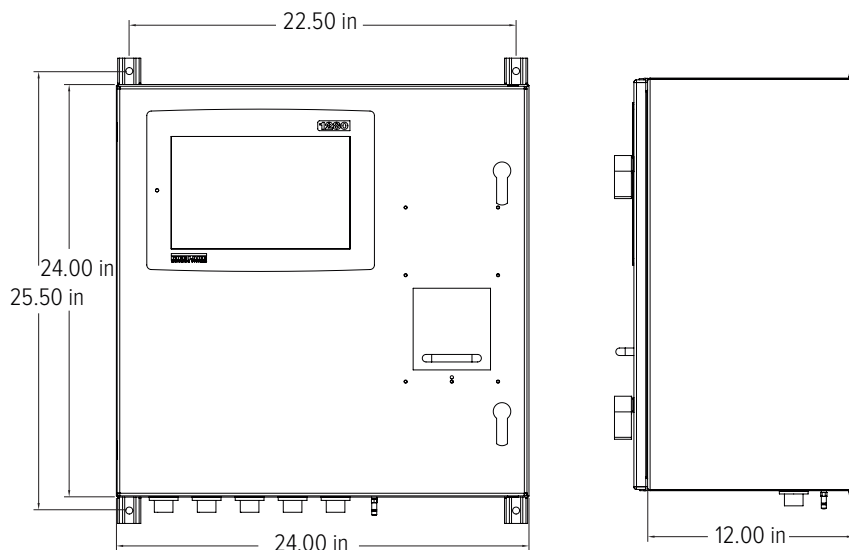
- A/D cards
- RFID reader
- Gate control
- Loop detector input
- QWERTY keyboard
- 12-key keypad
- Credit card reader (US and Canadian currency)
- Stop/Go remote display traffic light control

Part Numbers/Price

| Part# | Description | Price |
|--------|--|-------------|
| 225096 | ATS Kiosk, 1280 Kiosk TOP 12 inch with 1500 NIT Display, 304 Stainless Steel, Thermal Printer, With Printer Slide Door Access and Basket, Heater 115VAC, No A/D | \$13,375.00 |
| 199512 | ATS Kiosk, 1280 Kiosk TOP 12 inch with 1500 NIT Display, Painted MS Enclosure, Thermal Printer, With Printer Slide Door Access and Basket, Heater 115VAC, No A/D | \$9,825.00 |
| 218355 | ATS Kiosk, 1280 Inbound 12 inch with 1500 NIT Display, Painted MS Enclosure, NO A/D, 115 VAC | \$7,195.00 |

Options/Accessories

| Part # | Description | Price |
|--------|---|----------|
| 176452 | HID smart card reader | \$695.00 |
| 119693 | 200 watt heater | \$925.00 |
| 196709 | Kiosk option, A/D single-channel, includes DIN rail and terminals | \$665.00 |
| 196710 | Kiosk option, A/D dual-channel, includes DIN rail and terminals | \$765.00 |
| 33490 | Relay rack four-channel Opto 22 style with screws | \$125.00 |
| 21159 | Internal transient protection | \$245.00 |



Weigh Out/Printer Kiosk

Automated Truck Scale System



Shown with optional features

Standard Features

Weigh Out/Printer Kiosk

- 920i® HMI with sun shield
- Six serial ports
- 1 MB database memory
- Two option slots
- Slide door access to ticket
- 8-in paper roll
- Operator prompting
- Formattable tickets
- Transmits weight to remote display
- Stop/Go remote display traffic light control
- Direct thermal kiosk printer
- One-year warranty

Weigh Out/Printer Kiosk Options

- Ethernet TCP/IP (wired and Wi-Fi options available)
- Single or dual channel A/D cards
- RFID reader
- Currency acceptor (US currency only)
- Internal heater
- Gate control
- Loop detector output
- Automated traffic light control
- Credit card reader (US and Canadian currency)

Consult for the following options

- Stainless steel enclosure
- Bar code badge scanner
- 230 VAC

Part Numbers/Price

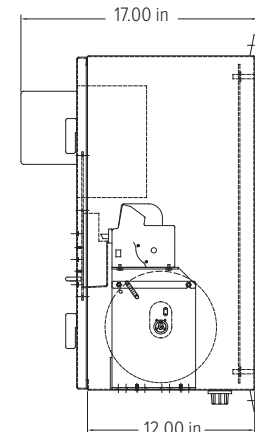
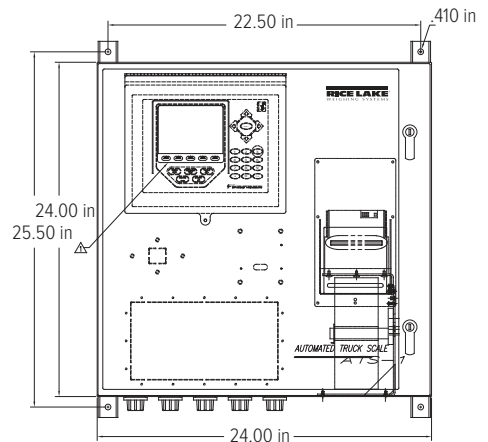
| Part # | Description | Price |
|--------|--|------------|
| 119687 | Weigh out kiosk with 920i® HMI and thermal kiosk printer, 24 × 24 × 12 in painted mild steel enclosure, A/D not included | \$6,695.00 |

Options/Accessories

| Part # | Description | Price |
|--------|---|----------|
| 119691 | Vandal-proof 12-key keypad | \$505.00 |
| 176452 | HID smart card reader | \$695.00 |
| 119692 | 88 key, panel mount Qwerty style keyboard | \$875.00 |
| 119693 | 200 watt heater | \$925.00 |
| 119761 | Ethernet unmanaged switch, five port | \$315.00 |
| 119689 | Kiosk option, A/D single-channel, includes DIN rail and terminals | \$395.00 |
| 119690 | Kiosk option, A/D dual-channel, includes DIN rail and terminals | \$575.00 |
| 33490 | Relay rack four-channel Opto 22 style with screws | \$125.00 |
| 21159 | Internal transient protection | \$245.00 |

Replacement Parts

| Part # | Description | Price |
|--------|--|------------|
| 105445 | Paper 6 in OD, one ply thermal 80 mm (3.1 in) 710 ft/roll | \$30.00 |
| 105446 | Paper 8 in OD, one ply thermal 80 mm (3.1 in) 1268 ft/roll | \$32.50 |
| 54215 | 3.15 amp 250V Slo Blo 5 x 20 mm kiosk power input fuse | \$5.00 |
| 160025 | Power supply, IDEC 12V - 30W | \$185.00 |
| 88792 | Power supply, IDEC 12VDC - 15W | \$140.00 |
| 88793 | Power supply, IDEC 24VDC -30W | \$230.00 |
| 72682 | Network protection, surge | \$80.00 |
| 69201 | RS-232 protection, TP232 | \$187.00 |
| 181230 | Serial kiosk printer kit (includes printer, bracket assembly, power supply and cables) | \$1,635.00 |
| 191359 | Ethernet kiosk printer kit (includes printer, bracket assembly, power supply and cables) | \$1,695.00 |
| 179762 | Direct thermal replacement RS232 printer, kiosk 80 mm DTL | \$1,175.00 |
| 203720 | Direct thermal replacement TCP/IP printer | \$1,325.00 |



AUTOMATED
TICKETING

Weigh/Check In Kiosk

Automated Truck Scale System

AUTOMATED
TICKETING

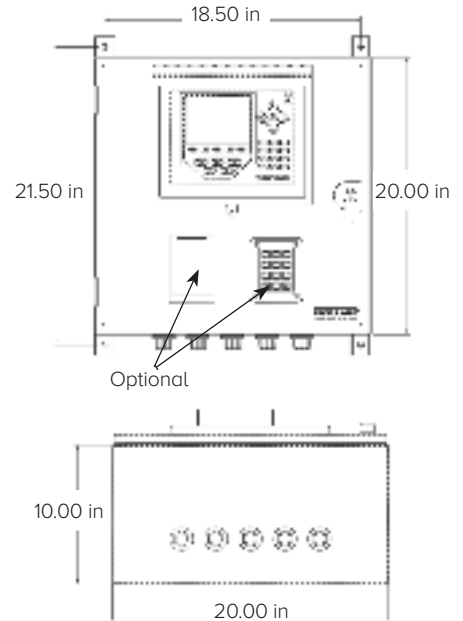


Shown with PN 176452

Standard Features

Weigh/Check In Kiosk

- 920i® HMI with sun shield
- Four serial ports
- 120 VAC
- Two option slots for 920i option cards
- One-year warranty



Part Numbers/Price

| Part # | Description | Price |
|--------|--|------------|
| 153353 | Check-in kiosk with 920i HMI, 20 × 20 × 12 in painted mild steel enclosure | \$4,315.00 |

Options/Accessories

| Part # | Description | Price |
|--------|---|----------|
| 119691 | Vandal-proof 12-key keypad | \$505.00 |
| 176452 | HID smart card reader | \$695.00 |
| 119692 | 88 key, panel mount Qwerty style keyboard | \$875.00 |
| 119693 | 200 watt heater | \$925.00 |
| 119689 | Kiosk option, A/D single-channel, includes DIN rail and terminals | \$395.00 |
| 119690 | Kiosk option, A/D dual-channel, includes DIN rail and terminals | \$575.00 |

Printer Kiosk

Direct Thermal Printer Kiosk



PN 112836

Standard Features

Direct Thermal Printer Kiosk

- Custom America VKP80II receipt printer
- Slide door access to ticket
- 8 in paper roll
- 1 year warranty

Specifications

Line Voltages:

115 or 230 VAC

Frequency:

50/60 Hz

Power Consumption:

0.5 amps (depending on options)

Fusing:

3.15 amps circuit breaker

Printer Communication Ports:

RS-232 or Ethernet

Temperature:

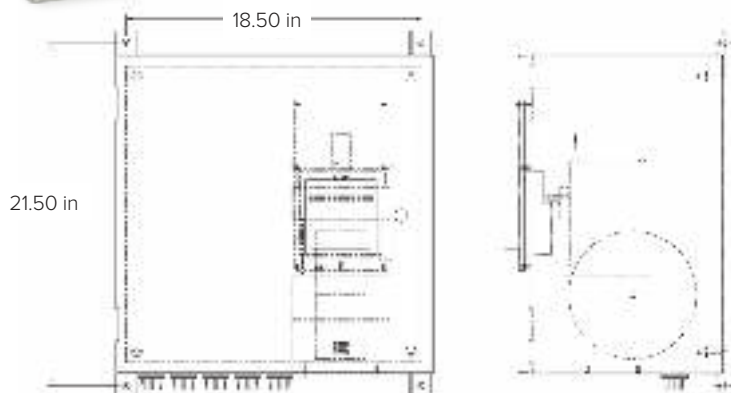
Storage:
14 °F to 158 °F (-10 °C to 70 °C)

Humidity:

0 to 95% relative humidity

Warranty:

One-year limited



Printer Kiosk

Thermal-transfer Printer Kiosk



Basic printer kiosk with optional RFID card reader and optional number keypad

Basic printer kiosk with optional RFID card reader



Basic printer kiosk PN 92971

Standard Features

Printer Kiosk with Ethernet Intercom

- Digital Acoustics Ethernet TCP/IP intercom substation
- Custom America VKP80III direct thermal printer

Thermal-transfer Printer Kiosk

- Painted mild steel enclosure
- Slide door access to ticket
- Zinc-plated 3/4-inch NPT conduit hubs
- Additional options available upon request

Note: Printer, thermal transfer ribbon and card stock sold separately

Specifications

Line Voltages:

115 or 230 VAC

Frequency:

50/60 Hz

Power Consumption:

0.5 amps (depending on options)

Fusing:

6 amp circuit breaker

Printer Communication Ports:

RS-232
Ethernet (optional)

Temperature:

Storage:
14 °F to 158 °F (-10 °C to 70 °C)

Humidity:

0 to 95% relative humidity

Current Supported Riser Plates:

Zebra® 140XIIIPlus
Zebra 105SL
Zebra R110Xi
Zebra Z4Mplus
Zebra 2746e
Honeywell 4206
Honeywell I-4212
Intermec/Honeywell 3400e
Intermec/Honeywell 4440

Warranty:

One-year limited

AUTOMATED
TICKETING

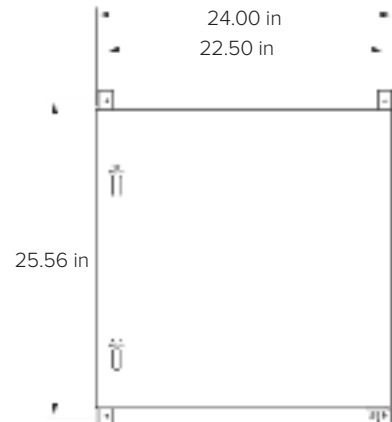
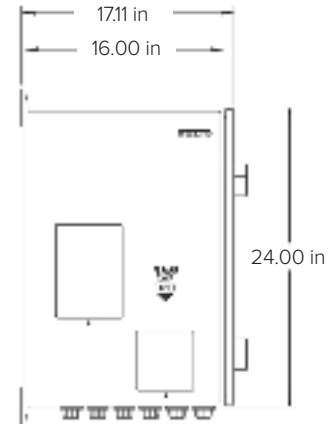
Part Numbers/Price

| Part # | Description | Price |
|--------|--|------------|
| 92971 | Printer kiosk, inbound base unit 115 VAC (printer not included) | \$3,355.00 |
| 112836 | Printer kiosk, thermal ticket printer 20 × 20 × 12 in painted mild steel enclosure | \$4,195.00 |
| 193639 | Printer kiosk, thermal ticket printer (Ethernet), 20 × 20 × 12 in painted mild steel enclosure | \$4,355.00 |

A test plan is included with each kiosk.

Options/Accessories

| Part # | Description | Price |
|-------------|---|------------|
| 119693 | 200 watt heater | \$925.00 |
| 119946 | Single port Ethernet server | \$485.00 |
| 120040 | Dual port Ethernet server | \$675.00 |
| 93463 | Printer riser plate for Honeywell I-4212e | \$315.00 |
| 93468 | Printer riser plate for Intermec/Honeywell 3400e | \$315.00 |
| 176452 | HID smart card reader | \$695.00 |
| 131143 | Honeywell I-4212e, direct thermal RS-232, parallel and USB | \$1,595.00 |
| 64884 | Thermal transfer option Honeywell | \$133.00 |
| 131150 | Ethernet option Honeywell | \$365.00 |
| 53918 | Cutter option Honeywell | \$695.00 |
| 109298 | Tag, direct thermal, 4 in wide, 7.2 pt continuous 480 ft roll | \$51.00 |
| 179762 | Direct thermal replacement RS232 printer, kiosk 80 mm DTL | \$1,175.00 |
| 203720 | Direct thermal replacement TCP/IP printer | \$1,325.00 |
| Consumables | | |
| 105445 | Paper roll 6 in OD, one ply thermal 80 mm (3.1 in) 710 ft per roll | \$30.00 |
| 105446 | Paper roll 8 in OD, one ply thermal 80 mm (3.1 in) 1268 ft per roll | \$32.50 |
| 89190 | TT Tag stock 4 in wide, 7.5 pt continuous 400 ft roll | \$46.25 |
| 34056 | Transfer ribbon, 4 in wide GPR Plus black 1181 ft roll | \$30.50 |



Intercom Kiosk



Standard Features

- Moisture and puncture resistant speaker
- Three-layer steel baffle protects speaker from tampering
- Hands-free communication
- Weather and vandal resistant
- FRP enclosure

Specifications

Wiring:
CAT5 to Ethernet adapter

Dimensions:
(L x W x H)
14 x 12 x 8 in

Communication:
PC software functions as base station for networked intercom system

TalkMaster FOCUS, download directly from digitalacoustics.com/talkmaster-focus-software-download/

Part Number/Price

| Part# | Description | Price |
|--------|-------------------|------------|
| 215451 | Ethernet intercom | \$2,625.00 |

Network Cameras

AUTOMATED TICKETING

Remote Monitoring Specifications



License Plate Recognition

Read Range:
10 to 82 ft (3 to 25 m)

Interface:
10 Base-T/100 Base TX Ethernet (RJ-45)

Operating System:
Microsoft Windows® 10/8/7

Web Browser:
Chrome 58 or above, Internet Explorer 10/11

Power Input:
IEEE 802.3af PoE Class 0 (Power Redundancy)

Power Consumption:
PoE: Max. 10.77/7.77 W (IR on/off)

Night Illumination Range:
164 to 328 ft (50 to 100 m) with Smart IR II

Dimensions:
5.75 x 11.34 in (146 x 288 mm)

Temperature:
Operating:
IR off: -40 °F to 140 °F (-40 °C to 60 °C)
IR on: -40 °F to 122 °F (-40 °C to 50 °C)

Weight (including bracket):
3.5 lb (1.6 kg)

Rating:
IP66

Approvals:
CE
BIS
FCC Class A

License Plate Recognition Specifications

Read Range:
10 to 82 ft (3 to 25 m)

Image Sensor:
2 megapixels
1/2.8 in CMOS sensor

Frame Rate:
25 FPS

Interface:
LAN (weatherproof standard RJ-45) 10/100 Mbps
ethernet interface Wi-Fi (for easy setup)
Relay control (1 input, 2 outputs)
Wiegand

Power Input/Network:
24 to 48 VDC, PoE+ IEEE 802.3 at
Requires CAT 5e or better network, POE+ network switch or 24 to 48 VDC power supply

Power Consumption:
Average 18 W, max 25 W

Dimensions:
4.0 x 7.0 x 11.5 in
(102 x 180 x 290 mm)

Weight:
6.5 lb (2.95 kg)

Rating:
IP66

Temperature:
Operating:
-40 °F to 140 °F (-40 °C to +60 °C)

Humidity:
0% to 95% RH

Approvals:
IEC 62368-1, Electrical Safety General
IEC 60950-22, Electrical Safety Outdoor
IEC 62471, Photobiological
EN 55022:2010, Emissions
EN 55024:2010, Immunity
IEC 60068-2-27 Ea, Shock
IEC 60068-2-64 Fh, Vibration
UL94 HB, Flammability
RoHS directive 2002/95/EC and RoHS2 directive 2011/65/EU



Remote Monitoring

Part Number/Price

| Part # | Description | Price |
|---|--|------------|
| Remote Monitoring Camera | | |
| 163175 | Ethernet camera 2-megapixel CMOS sensor | \$1,500.00 |
| 131605 | Power supply, POE injector | \$205.00 |
| 15438 | Power cord | \$25.00 |
| License Plate Recognition Camera | | |
| 220688 | Camera LPR | \$8,045.00 |
| 220690 | Mounting bracket, LPR camera | \$245.00 |
| 220691 | Cable power & relay LPR camera power cable | \$125.00 |



PN 221451



PN 197373

Specifications PN 119761

- Power:**
12 to 48 VDC, 2.88 watts maximum
- Serial Connectors:**
5 × RJ45, 6-pin removable screw terminal (power)
- Communication Ports:**
Ethernet 10/100 Base-T
- Temperature:**
Operating:
50 °F to 140 °F (10 °C to 60 °C)
- Humidity:**
10% to 95%
- Installation/Style:**
DIN rail mounting

Specifications PN 65385 and PN 120041

- Power:**
9 to 30 VDC, 1.8 Watts maximum,
wall adapter included
- Serial Interface:**
RS232, RS422 or RS 485
- Serial Connectors:**
(UDS 1100) 1 × DM25F,
(UDS 2200) 2 × DB9M
- Communication Ports:**
Ethernet 10/100 Base-T, 1 × RJ45 connector
- Temperature:**
Operating:
32°F to 140°F (0°C to 60°C)
- Humidity:**
10% to 90%
- Installation/Style:**
Desktop or panel use



PN 119761



PN 65383



PN 120041

Specifications PN 221451 and PN 197373

- Power:**
12 to 48 VDC, 4.1 watts maximum
- Serial Interface:**
RS232, RS422 or RS485 software selectable
- Serial Connectors:**
DB9, EKI-1524 also include terminal block
- Communication Ports:**
Ethernet 10/100Base-T, 1 × RJ45 connector
- Temperature:**
Operating:
14°F to 140°F (10°C to 60°C)
- Humidity:**
10% to 95%
- Installation/Style:**
DIN rail mounting

Part Number/Price

| Part# | Description | Price |
|--------|--|------------|
| 221451 | Ethernet Serial Server Dual serial port (2-9 pin connectors)1 Ethernet 10/100 (RJ45) DIN rail mounting. (2x5 pin terminal blocks for RS422/485 only) | \$875.00 |
| 197373 | Ethernet serial server four serial port (DB-9) one Ethernet 10/100 (RJ45) DIN rail mounting | \$1,000.00 |
| 119761 | Ethernet Unmanaged Switch Requires 12 To 36 VDC ESW105, Industrial 5 port, UL E180881 | \$315.00 |
| 65383 | Converter, Ethernet Thin Server UDS-1100, 10/100 RJ45 232 to Ethernet | \$385.00 |
| 120041 | Converter, Ethernet Thin Server UDS2100, 10/100 RJ45 232 to Ethernet Dual Serial Ports. Includes Power Transformer | \$495.00 |

Remote HID Box

AUTOMATED
TICKETING



Standard Features

- Self-contained HID reader with Weigand to RS-232 converter with power supply
- Indoor/outdoor
- Use with 920i®, 1280 indicators and kiosk systems
- Requires special programming

Specifications

Power Supply:

120 VAC input at 10 W, 5 VDC Output 2 at amp

Read Range*:

2.5 to 4.5 in (6.3 to 11.4 cm) with HID iCLASS® card
 1.0 in (2.5 cm) with HID iCLASS key
 1.0 in (2.5 cm) with HID iCLASS tag
 1.5 to 2.0 in (3.8 to 5.0 cm) with HID iCLASS prox
 1 to 2 in (2.5 to 5.0 cm) with MIFARE® card (serial number only)

**Using ISO 15693 mode (except MIFARE®). Dependent upon installation conditions. Please note that all iCLASS credentials are available in either a 2 K bits (256 Bytes) or 16Kbits (2 KBytes) configuration.*

Transmit Frequency:

13.56 MHz

Cable Distance:

RS-232-C 50 ft

Specifications Continued

Current Requirements (Avg/Peak):

80/260 mA at 12 VDC

Material:

FRP

Dimensions:

(L × W × H)
 10.50 × 8.91 × 6.25 in
 (267 × 226 × 159 mm)

Temperature:

Operating: -31 °F to 150 °F (-35 °C to 65 °C)

Humidity:

5 to 95% RH (non-condensing)

Weight:

8.8 oz (249.5 g)

Pending Certifications:

Taiwan, Singapore, Germany VdS

Approvals Power Supply:

CE Marked
 TUV
 UL61010/cUL
 CSA C22.2 o. 107.1
 UL1604: Class I Div 2
 EN 50175
 LVD: EN662368
 EMC: Directive EN61204-3
 EMI: Class B, EMS Industrial

Pending Approvals HID:

Taiwan, Singapore, Germany VdS

Approvals HID:

UL 294/cUL
 FCC Certification
 Canada Certification
 CE Mark (Europe)
 New Zealand
 Australia c-Tick

Part Number/Price

| Part # | Description | Price |
|--------|-----------------|------------|
| 220144 | HID Box, remote | \$2,545.00 |

HID Long Range Readers



Standard Features

- Discreet hands-free authentication solution for long range parking, gate control and truck identification
- IP65 rating allows outdoor mounting
- Supports Wiegand standards
- Requires Wiegand converter, consult with a sales engineer with application specifics

Specifications

Read Range:

9.8 to 16.4 ft (3 to 5 m)

Color:

Black

Mounting:

Drill mounting box to meet application
 Drill points provided for US and EU wall boxes, and 75 mm, 100 mm and 200 mm VESA mounts

Transmit Frequency:

865 to 868 MHz/902 to 928 MHz
 dependent on regional regulations

Dimensions:

(L × W × H)
 9.10 × 9.10 × 2.75 in
 (231 × 231 × 70 mm)

Rating/Material:

IP65
 UL94 Polycarbonate

Temperature:

Storage:
 -67 °F to 185 °F (-55 °C to 85 °C)
 Operating:
 -30 °F to 150 °F (-35 °C to 65 °C)

Humidity:

5% to 95% RH non-condensing

Approvals:

UL 294/cUL, CB Scheme
 FCC Certification
 IC (Canada)
 CE (Europe)
 IFETEL (Mexico)

Part Number/Price

| Part # | Description | Price |
|--------|--|------------|
| 184458 | Reader, long range HID | \$1,995.00 |
| 184459 | UHF credentials (factory programming required) | \$15.00 |
| 184466 | Windshield mount | \$10.50 |
| 220769 | Converter, Weigand/RS232 FRP enclosure, includes: Weigand to RS232 converter, 5 VDC and 24 VDC power supply, terminals for field wiring. | \$1,025.00 |
| 225411 | Mount, for use only when mounting with kiosk pole and swing-arm | Consult |
| 226003 | Kit, wallmount bracket | Consult |



Standard Features

TransCore SmartPass® RFID Reader

- Fully self-contained, integrated reader
- Ideal for truck scales, and parking and access control applications
- 915 MHz RF band operation
- Compatibility with a wide range of industry-standard formats
- Weatherproof enclosure
- Quick, simple installation by trained, authorized personnel
- Programmable RF power
- Compatible with a variety of RFID tag options including half and full frame RFID tags (beam or battery powered) as well as windshield RFID tag options (beam or battery powered)

Specifications

- Input Power:**
16 to 20 VAC, 47 to 63 Hz, or 16 to 28 V DC
- Vibration:**
0.5 grams, 10 to 500 Hz
- Frequency Range:**
902 to 928 MHz
- RF Control:**
By sense output or host command
- Polarization:**
Linear, horizontal
- Read Range:**
Read performance varies depending on tag and reader configuration and environment
Read range for all the SmartPass E4 Reader is 12 ft (3.7 m) typical to 17 ft (3.7 m) maximum
- I/O Control:**
Input: Two independent dry contact closures for sense circuits
Output: Two independent Form-C contacts
- Mounting Surface:**
Mount to pole or wall, indoor or outdoor
- Enclosure:**
Tamper-proof, polycarbonate housing
- Temperature:**
Operating:
-40 °F to 131 °F (-40 °C to 55 °C)
- Humidity:**
100% condensing
- Dimensions:**
(L x D x W)
15.5 x 15.5 x 3.25 in
(393 x 393 x 83 mm)
- Weight:**
9.5 lb (4.3 kg)

Part Number/Price

| Part # | Description | Price |
|--------|--------------------------|------------|
| 108201 | SmartPass E4 reader only | \$6,725.00 |
| 162431 | 18 VAC power supply | \$47.00 |
| 86401 | 5 ft interface cable | \$165.00 |
| 162430 | 20 ft interface cable | \$330.00 |
| 86403 | 35 ft interface cable | \$490.00 |
| 162432 | Pole/wall mount bracket | \$145.00 |

Multiprotocol Rail Reader and Parapanel Antenna



Standard Features

Multiprotocol Rail Reader

- Designed for railroad applications
- Fixed mount, integrated package (reader and RF module)
- Reads Association of American Railroads (AAR) format tags and SuereGo® (SeGO) protocol tags
- Supports tag and mutual authentication
- 902 to 928 MHz RF range operation in North America
- Real-time clock
- Tag read buffering
- Programmable RF output power
- Programmable frequency
- Supports up to two AT5720 Check Tags
- Multiplexes up to four antennas

Parapanel Antenna

Standard Features

- Asymmetrical broadcast pattern
- Low-profile design
- Weatherproof enclosure
- UV-tolerant and corrosion-resistant construction

Part Number/Price

| Part # | Description | Price |
|---------|---|---------|
| Consult | Please consult sales engineer to ensure proper system for application | Consult |

RFID Access Tags



157184



157185

Standard Features

RFID Access Tags

- Interior mounting on non-metallized windshield
- Impact resistant, molded plastic case
- Slim profile
- Non-battery for extended service life (AT5402)
- Dual-frequency (915 and 2450 MHz, AT5406)

Specifications

Power Source:

AT5402: Beam-powered
AT5406: Lithium battery

Frequency Range:

AT5402: 902 to 928 MHz
AT5406: 902 to 928 MHz/2425 to 2475 MHz

Read Range:

AT5402: 5 to 10 ft (1.5 to 3 m)
AT5406: 5 to 35 ft (1.5 to 11 m)

Polarization:

Parallel with longer side

Data Capacity:

Up to 10 alphanumeric characters (60 available bits) or Wiegand 26 to 54 bit formats

Service Life:

AT5402: >10 years
AT5406: Eight-year lithium battery (typical life)

Case Material:

Weatherproof, polycarbonate alloy, UV stabilized

Mounting Surface:

Interior: Non-metallic windshield

Mounting Method:

Semi-permanent mounting: Double-sided tape
Removable mounting: Adhesive-backed hook-and-loop material attached to the tag and vehicle windshield

Temperature:

Operating:
-40 °F to 185 °F (-40 °C to 85 °C)

Dimensions:

(L × W × H)
AT5402: 3.60 × 2.30 × 0.27 in
(92 × 59 × 7 mm)
AT5406: 4.50 × 2.50 × 0.70 in
(114 × 64 × 18 mm)

Weight:

AT5402: 1.4 oz. (40 g)
AT5406: 3.5 oz. (99 g)

Part Number/Price

| Part # | Description | Price |
|--------|------------------------------------|----------|
| 157184 | AT5402 windshield tag beam power | \$42.00 |
| 157185 | AT5406 windshield tag with battery | \$58.00 |
| 159518 | Programming fee | \$310.00 |

Note: Programming fee applies if ordering fewer than 100 tags

AUTOMATED TICKETING

RFID Transportation Tags



Standard Features

RFID Transportation Tags

- Harsh environment durability
- Factory sealed case
- Non-battery for extended service life (AT5412)
- Dual-frequency (915 and 2450 MHz, AT5414)

Specifications

Power Source:

AT5412: Beam
AT5414: Lithium battery for a typical eight-year life

Frequency Range:

AT5412: 902 to 928 MHz
AT5414: 902 to 928 MHz/2425 to 2475 MHz

Read Range:

AT5412: 5 to 10 ft (1.5 to 3 m)
AT5414: 5 to 35 ft (1.5 to 11 m)

Polarization:

Parallel with longer side

Data Memory Capacity:

SeGo and eGo Modes: 2048 bits
ATA Mode: 60 bits

Case Material:

Weatherproof, polycarbonate, UV-stabilized case that is sealed after programming

Mounting Surface:

Any smooth metallic surface

Mounting Method:

Mount to any flat smooth metal surface using bolts, screws or blind rivets

Dimensions:

(L × W × H)
AT5412: 9.30 × 2.38 × 0.69 in
(236 × 60 × 18 mm)
AT5414: 9.32 × 2.39 × 0.75 in
(237 × 61 × 19 mm)

Temperature:

Operating:
-40 °F to 185 °F (-40 °C to 85 °C)

Weight:

AT5412: 5.3 oz (150.2 g)
AT5414: 6.6 oz (187 g)

Part Number/Price

| Part # | Description | Price |
|--------|--|----------|
| 86399 | AT5412 transportation tag 1/2 frame beam power | \$63.00 |
| 157188 | AT5414 transportation tag 1/2 frame with battery | \$79.00 |
| 159518 | RFID programming fee | \$310.00 |

Note: Programming fee applies if ordering less than 100 tags

HID RFID Cards



Standard Features

HID RFID Cards

- Offer sufficient read/write memory to store multiple biometric templates
- Available in a 2 or 16 application area configuration
- Offer multiple, securely separated areas to enable numerous applications, including the HID standard access control application
- Future growth for new read/write applications
- ISO 15693 and 14443B2 standards for read/write contactless communication
- Cost-effective way to enhance the security of your access control installation
- Close range

HID RFID Readers

AUTOMATED
TICKETING



Standard Features

HID RFID Readers

- More powerful and versatile access control
- User-friendly proximity technology
- Uses the 13.56 MHz technology platform
- High-intensity, three-color light bar provides clear, visual feedback, even in direct sunlight
- Selectable, distinct tone sequences indicate status conditions
- All RF data transmission between the card and reader is encrypted using a secure algorithm
- Close range

Specifications

Power Supply:

10 to 16 VDC reverse voltage protected
Linear supply recomm ended

Read Range*:

2.5 to 4.5 in (6.3 to 11.4 cm) with HID iCLASS® card
1.0 in (2.5 cm) with HID iCLASS key
1.0 in (2.5 cm) with HID iCLASS tag
1.5 to 2.0 in (3.8 to 5.0 cm) with HID iCLASS prox
1 to 2 in (2.5 to 5.0 cm) with MIFARE® card
(serial number only)

**Using ISO 15693 mode (except MIFARE®). Dependent upon installation conditions. Please note that all iCLASS credentials are available in either a 2K bits (256 Bytes) or 16Kbits (2 KBytes) configuration.*

Transmit Frequency:

13.56 MHz

Current Requirements (Avg/Peak):

80/260 mA at 12 VDC

Material:

UL94 polycarbonate

Cable Distance:

Wiegand interface: 500 ft (150 m)
Recommended cable is ALPHA 1295 (22AWG)
Five-conductor stranded with overall shield or equivalent. Additional conductors may be required to connect all outputs.

Dimensions:

(L × W × H)
3.30 × 0.85 × 4.80 in
(84 × 22 × 122 mm)

Temperature:

Operating: -31 °F to 150 °F (-35 °C to 65 °C)

Humidity:

5 to 95% RH non-condensing

Weight:

8.8 oz (249.5 g)

Pending Certifications:

Taiwan, Singapore, Germany VdS

Approvals:

UL 294/cUL
FCC Certification
Canada Certification
CE Mark (Europe)
New Zealand
Australia c-Tick

Part Number/Price

| Part # | Description | Price |
|--------|---|----------|
| 176452 | HID smart card reader, includes Wiegand to RS232 converter and mounting hardware | \$695.00 |
| 88792 | Power supply, IDEC 12 VDC output, 85 VAC input, required for 176452 above | \$140.00 |
| 85902 | iClass Smart Card pack 1 to 25 13.56 MHz | \$255.00 |
| 85903 | iClass Smart Card pack 26 to 50 13.56 MHz | \$255.00 |
| 85904 | iClass Smart Card pack 51 to 75 13.56 MHz | \$255.00 |
| 85905 | iClass Smart Card pack 76 to 100 13.56 MHz | \$255.00 |
| 95358 | Card, HID unprogrammed configured 256 byte no slot punch - MUST BE FACTORY PROGRAMMED | \$10.00 |
| 212168 | Card, HID unprogrammed configured 256 byte vertical slot | \$10.00 |

Keyfob and disc tags optional—consult for price.



HID card (PN 212168)

OnTrak® ENTERPRISE

TRUCK SCALE DATA MANAGEMENT



Weigh Screen



Customer Screen Main

AUTOMATED
TICKETING

Standard Features

- Comprehensive transaction management
- Unlimited charge and discount amounts per product
- Calculates tax
- Ship or Receive mode for each transaction
- Assign one of four security levels to each user
- Exclusive databases for customer, hauler, truck, product, job, price/discount, tax and transaction
- Filter reports to view relevant information
- Customize printed tickets
- Back up and restore via SQL Server Management Studio available through Microsoft
- Software supports unlimited number of scales, number of scales supported is dependent on user's hardware
- Website for remote access, systems integration and data monitoring (SSL certificate required for publishing website to internet)
- A supported web browser (Google® Chrome®, Microsoft® Edge®, Mozilla® Firefox® or Apple® Safari®)

Optional Features

- 1280 kiosk interface
- REST API
- Image capturing*
- License plate recognition*

*User must Purchase SQL Server Standard when using cameras for image capturing or license plate recognition.

Specifications

Systems Requirements:

Windows® 10 or newer (x64 systems)

Databases:

10 GB max database size when using included Microsoft SQL Server Express

*Unlimited database size when using a purchased edition of Microsoft SQL Server (required when using image capturing or license plate recognition)

Communications:

Supports all Rice Lake indicator interfaces and 1280 based Automated Ticketing Kiosks
Optional drivers available for non-Rice Lake weight indicators (Ethernet TCP/IP required)

Transaction Ticket:

User defined ticket formatting

Export Data:

File export of completed transactions via: XML, JSON, CSV or TXT

Software Support:

Database configuration, field installation and training available
Phone support packages available
Contact Rice Lake for further options

Approvals:

NTEP 05-107

Approvals



Part Numbers/Price

| Part # | Description | Price |
|--|--|------------|
| 218502 | OnTrak Enterprise Base Software | \$3,495.00 |
| Modules | | |
| 218503 | License, Kiosk Module OnTrak Enterprise | \$795.00 |
| 218504 | License, API Module OnTrak Enterprise | \$695.00 |
| 218505 | License, Image Capture Module OnTrak Enterprise | \$695.00 |
| 218506 | License, LPR Module OnTrak Enterprise, License Plate Recognition | Consult |
| Annual Maintenance Agreements (AMA) | | |
| 218507 | OnTrak Enterprise AMA for Base Software | \$699.00 |
| 218508 | OnTrak Enterprise AMA for Kiosk Module | \$159.00 |
| 218509 | OnTrak Enterprise AMA for API Module | \$139.00 |
| 218510 | OnTrak Enterprise AMA for Image Capture Module | \$119.00 |
| 218511 | OnTrak Enterprise AMA for LPR Module | Consult |

Note: Annual Maintenance Agreements (AMA) are required. Billable after year two.

Options/Accessories

| Part # | Description | Price |
|---------|-----------------------------------|---------------|
| Consult | Non-Rice Lake indicator interface | \$295.00 |
| Consult | Custom reports | \$255.00/hour |
| 104789 | Phone Support, one hour | \$145.00 |

OnTrak®

TRUCK SCALE DATA MANAGEMENT



Weigh Scale



Customer Account Information

Approvals



Part Numbers/Price

| Part # | Description | Price |
|--------|------------------------|------------|
| 104787 | OnTrak activation code | \$1,495.00 |
| 101062 | OnTrak CD-ROM | \$84.00 |

OnTrak trial at www.ricelake.com/ontrak

Options/Accessories

| Part # | Description | Price |
|-------------|-----------------------------------|----------------------------------|
| Consult | Non-Rice Lake indicator interface | \$295.00 |
| Consult | Custom reports | \$243.00/hour |
| Consult | Database configuration | \$243.00/hour |
| FLD-INSTALL | Field installation | \$1,395.00/weekday plus expenses |
| 104789 | Phone support, one hour | \$145.00 |
| 101003 | Additional OnTrak manual | \$65.00 |

Standard Features

- Supports systems using Windows® 10 and newer
- Microsoft SQL Server Express client/server database (free edition)
- Comprehensive report filters
- User and administrator roles
- Back up and restore via SQL Server Management Studio freely available through Microsoft
- Unlimited charge/discount per product
- Ship or Receive mode for each transaction
- Exclusive database for: customer, hauler, truck, product, job, price/discount, tax, transaction
- Ethernet TCP/IP or RS-232 connectivity
- Supports VIRTUi/VIRTUi2® or Rice Lake weight indicators
- CSV transaction file export
- Supports one or two scales

Optional Features

- Image capture with Ethernet camera TCP/IP (requires SQL Server Standard or better through Microsoft)
- Interface to non-Rice Lake weight indicators
- Custom reports
- Database configuration
- Field installation and training
- Factory phone support

Specifications

System Requirements:

Windows® 10 and newer (x64 systems)

Databases:

10 GB max database size when using included Microsoft SQL Server Express
 Unlimited database size when using a purchased edition (contact Microsoft for details on purchasing a licensed edition of SQL Server)

Communications:

Support for multiple printers
 Supports all Rice Lake indicator interfaces
 Supports VIRTUi/VIRTUi2 interface
 920i® based Automated Ticketing Kiosks
 Optional drivers available for non-Rice Lake weight indicators

Transaction Ticket:

User defined ticket formatting

Reports:

Comprehensive report filters
 Optional custom reports

Export Data:

File transfer via XML transaction; exported reports can be saved as PDF/XLS; configurable transaction data export in CSV file format

Transaction Calculations:

Unlimited product prices and discounts
 Tax calculations (does not integrate directly to financial software)

Software Support:

Database configuration, field installation and training available
 Phone support packages available
 Contact Rice Lake for further options

Approvals:

NTEP 05-107

AUTOMATED TICKETING

Kiosk Safety Swing-away Arm

Self Centering Kiosk Mount



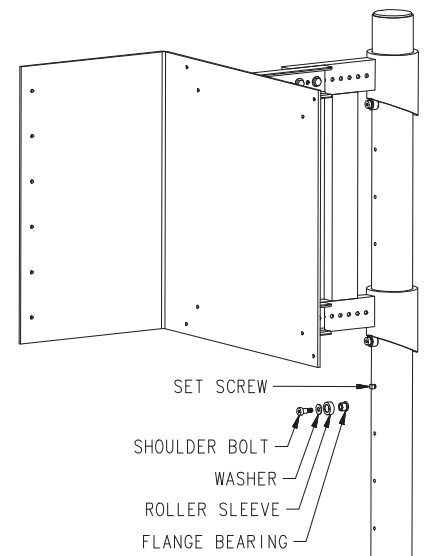
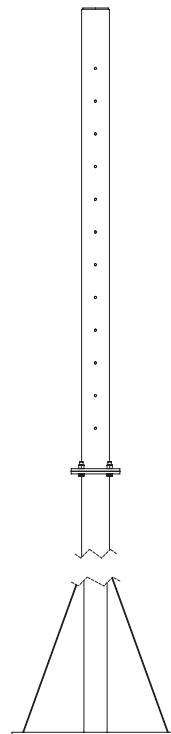
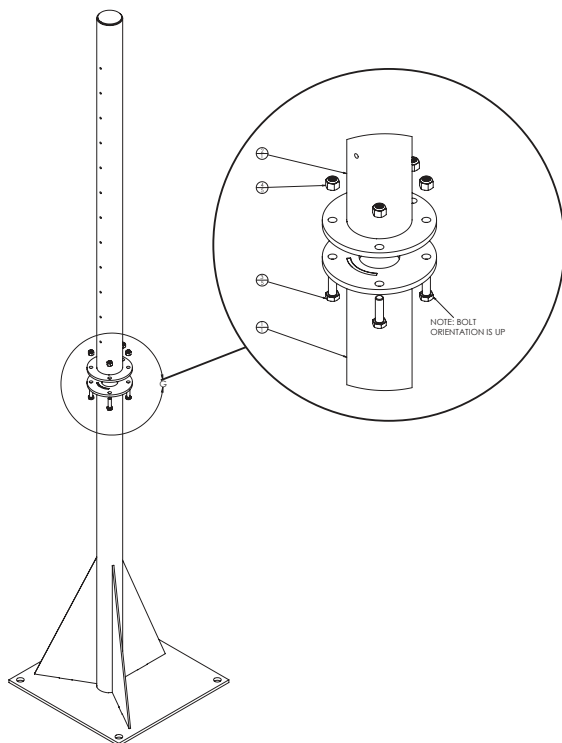
Standard Features

- Protects kiosk from vehicle traffic
- Swings away freely and returns to center position
- Universal mount accommodates a wide variety of kiosks
- Includes mounting pole and base stand
- Adjustable vertical and horizontal mounting

AUTOMATED TICKETING

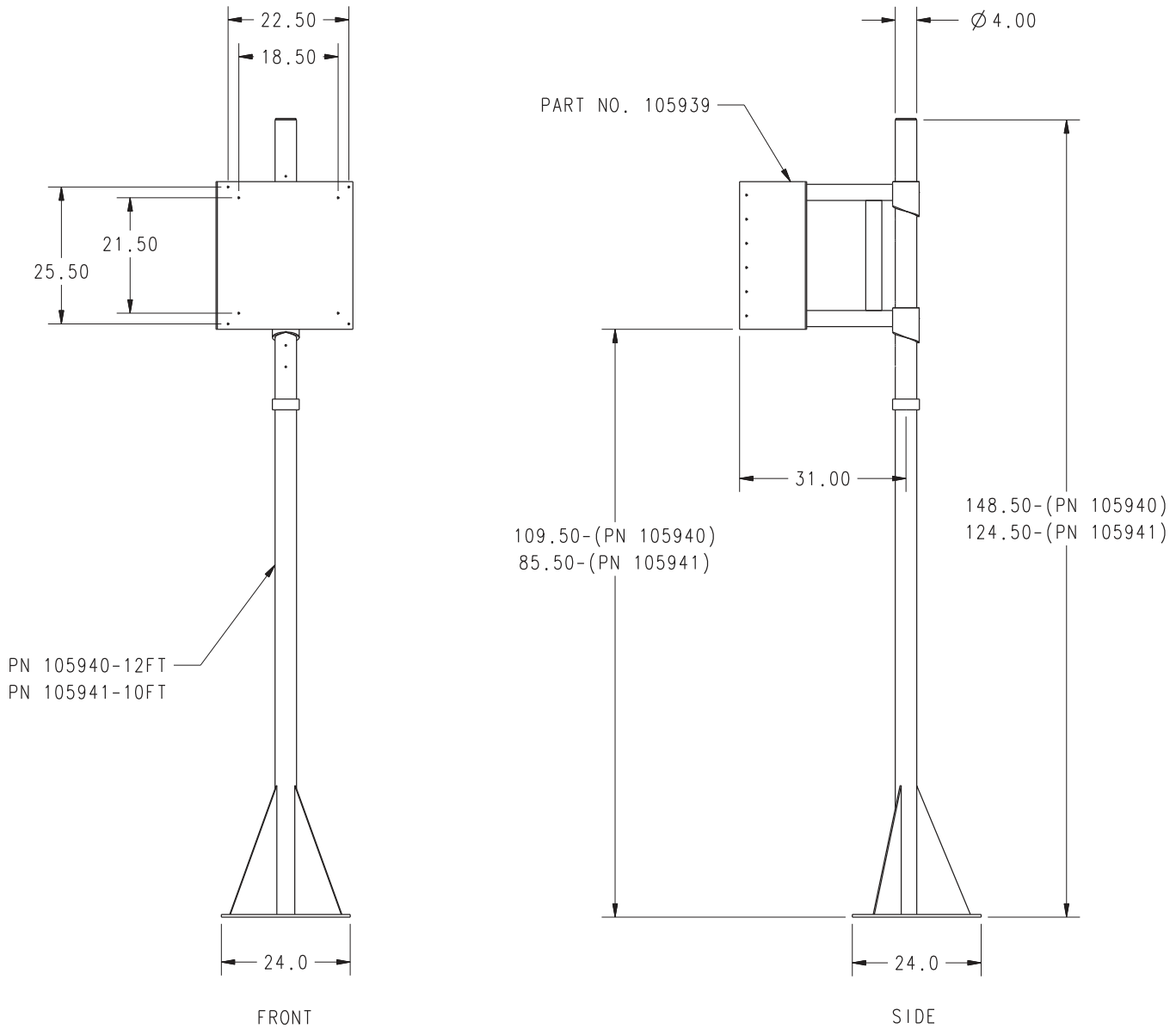
Part Number/Price

| Part # | Description | Price |
|--------|--|------------|
| 109164 | Complete kit for pit type scale (10 ft pole, red) | \$1,645.00 |
| 109163 | Complete kit for aboveground scale (12 ft pole, red) | \$1,675.00 |
| 105939 | Weldment, swing arm, kiosk (red) | \$895.00 |
| 105941 | Pole weldment, 10 ft supported/free standing, 4.0 in O.D. (red) | \$695.00 |
| 105940 | Pole weldment, 12 ft supported/free standing, 4.0 in O.D. (red) | \$775.00 |
| 110606 | Weldment, swing arm 24 × 24 × 16 in side discharge printer kiosk (red) | \$895.00 |
| 155435 | Weldment, swing arm 30 × 24 × 16 in side discharge printer kiosk (red) | \$1,145.00 |
| 178074 | Complete kit for pit type scale (10 ft pole, yellow) | \$1,645.00 |
| 178073 | Complete kit for aboveground scale (12 ft pole, yellow) | \$1,675.00 |
| 178077 | Pole weldment, 10 ft supported free standing 4.0 in O.D. (yellow) | \$695.00 |
| 178076 | Pole weldment, 12 ft supported free standing 4.0 in O.D. (yellow) | \$775.00 |
| 178075 | Weldment, swing arm kiosk (yellow) | \$895.00 |
| 160403 | Mount, swing arm pole for SURVIVOR ATV truck scale | \$1,295.00 |
| 225411 | Mount for HID long range readers | Consult |

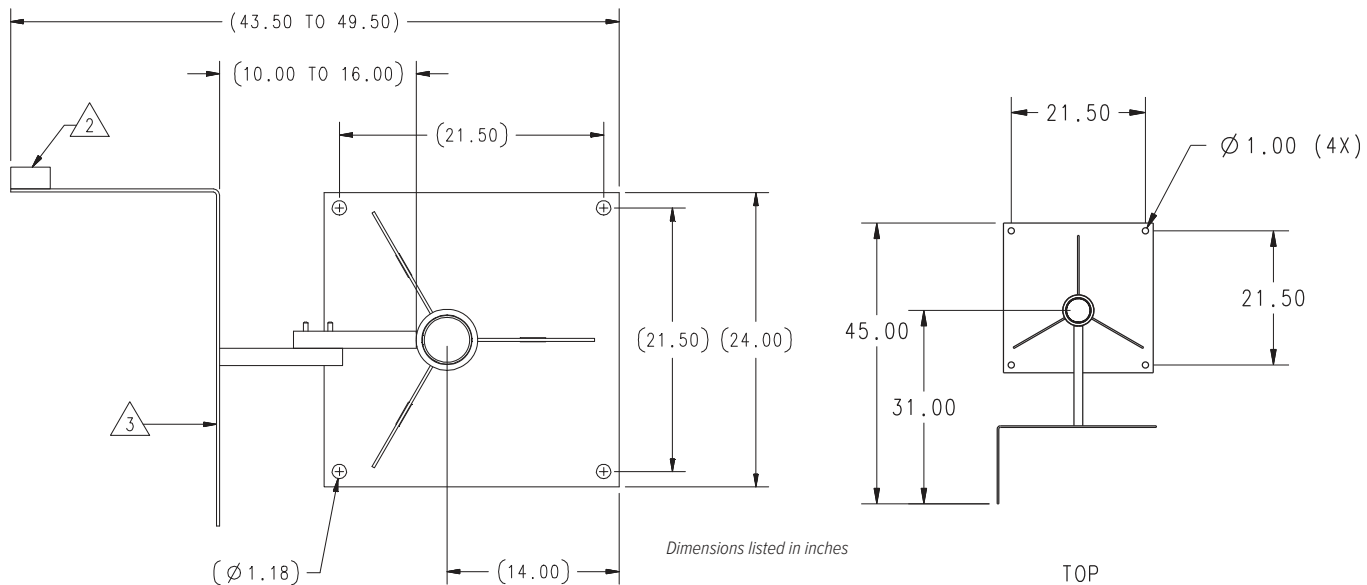


Kiosk Safety Swing-away Arm

Self Centering Kiosk Mount



**AUTOMATED
TICKETING**



Traffic Light Kits



Traffic Light

Standard Features

Light

- Housing meets or exceeds ITE specifications
- Stainless steel hardware
- 8 in LED lights, enclosure injection molded polycarbonate
- LED modules
- Compliant to ITE UTCSH - LED circular signal
- Temperature compensated power supplies for long LED life
- Conformal coated power supplies
- Intertek/ETL certified and listed on ETL certification program
- 135 VAC

Pole

- 4.5 in outer dimension aluminum pole
- Cast aluminum base mounts to concrete with four anchor bolts
- Base underside has integrated anchor bolt guide to ensure proper anchor placement.
- Removable 8 in access door for cable splicing and bolt attachments (H x W) 15 x 13-3/4 in

AUTOMATED TICKETING

Part Number/Price

| Part # | Description | Est. Weight | Price |
|--------|--|-------------|------------|
| 23146 | 2 Section, with mounting hardware for 4.5 in pole 120 VAC LED | 25 lb | \$1,025.00 |
| 85789 | Kit, traffic light pole. Includes 8 ft aluminum pole, base & four 18 in anchors. Bolts with nuts and washers. Option: Pole cap (PN 179172) | 70 lb | \$1,055.00 |
| 179172 | Aluminum pole cap, 4.5 in (for use when traffic light not mounted on pole) | - | \$59.00 |
| 87111 | Side mount brackets include 12 in nipples and universal hubs, bracket, aluminum upper and lower assembly | 10 lb | \$240.00 |
| 84504 | Anchor bolt with nut washer | 2 lb | \$13.00 |
| 160242 | Kit, Dual Traffic Light Includes (2) 23146 traffic lights, (2) 85789 traffic light poles (1) 160208 and electrical drawing (170218) | - | \$5,395.00 |
| 160208 | Control panel, dual traffic light | - | \$975.00 |
| 156106 | Buzzer box, 115 VAC | - | \$795.00 |
| 163734 | Switch box, remote (includes legend plates for Zero, Print, Tare, Cancel and Accept) | - | \$315.00 |



Anchor bolt with nut and washer



Side Mount Brackets



Control Panel



Buzzer Box



Switch Box

Traffic Light Pole



Vehicle Loop Detector



Standard Features

Vehicle Loop Detector

- Loop diagnostics
- Loop isolation transformer
- Loop conditioner
- Aluminum RF shield housing
- Surge protection
- Loop frequency counter
- 10 gold-plated sensitivity controls
- Eight gold-plated function controls
- Six gold-plated controls for frequency, reset and frequency counter
- Two high-intensity LED indicators
- Two relays—relay 2 is pulse or presence

Specifications

Power:

12 VAC/DC, 24 VAC, 24 VDC, 110 VAC, 220 VAC, maximum current draw 100 mA

Output Relays:

5A/125 VAC standard version, 1A/125 VAC low current version

Connector:

86CP11 compatible with 11-Pin Octal DIN-rail mountable socket or wire harness

Enclosure Material:

Extruded anodized aluminum

Enclosure Dimensions:

(L × W × H)
3.25 × 2.56 × 3.65 in
(83 × 40 × 90 mm)

Loop Dimensions:

4 × 6 ft thru 4 × 12 ft standard, custom sizes available

Loop Diameter:

0.26 in

Lead-in-Wire:

50 ft long, twisted wire in PVC jacket

Temperature:

Operating: -40 °F to 180 °F (-40 °C to 82 °C)

Loop Approvals:

UL subject 13, Type PLTC 300 V, 90 °C passes IEEE-328.210,000, BTU Flame Test Pennsylvania, Bureau of Deep Mine Safety, Approval P-MWMS-1-85

Part Number/Price

| Part # | Description | Price |
|---------|---|------------|
| Consult | Relay box for additional I/O control | Consult |
| 171093 | Vehicle Detector includes pre-wired loop detectors, terminals for wiring lead wires from loops and power source. (loops not included) | \$1,355.00 |
| 78986 | Loop, vehicle detection preformed, 4 ft x 8 ft loop, 50 ft lead in wire | \$275.00 |
| 86758 | Loop, vehicle detection preformed, 4 ft x 10 ft loop, 50 ft lead in wire | \$275.00 |

AUTOMATED
TICKETING

EMX Lite Preformed Loops



Standard Features

EMX Lite Preformed Loops

- Rugged and flexible TPE tubing
- Electronic lightning protection of vehicle detectors
- Comes standard with 50 ft of twisted and jacketed lead-in wire
- Vehicle detection loop is constructed of stranded wire conductors with thermoplastic elastomer insulation jacketing
- Outer shell is flexible nonmetallic 0.26 in tubing
- Two relays—relay 2 is pulse or presence
- Loop installation requires backer rod and epoxy sealant provided by others

Specifications

Power:

12 VAC/DC, 24 VAC, 24 VDC, 110 VAC, 220 VAC, maximum current draw 100 mA

Output Relays:

5A/125 VAC standard version, 1A/125 VAC low current version

Connector:

86CP11 compatible with 11-Pin Octal DIN-rail mountable socket or wire harness

Enclosure Material:

Extruded anodized aluminum

Enclosure Dimensions:

(L × W × H)
3.25 × 2.56 × 3.65 in
(83 × 40 × 90 mm)

Loop Dimensions:

4 × 6 ft thru 4 × 12 ft standard, custom sizes available

Loop Diameter:

0.26 in

Lead-in-Wire:

50 ft long, twisted wire in PVC jacket

Temperature:

Operating: -40 °F to 180 °F (-40 °C to 82 °C)

Loop Approvals:

UL subject 13, Type PLTC 300 V, 90 °C passes IEEE-328.210,000, BTU Flame Test Pennsylvania, Bureau of Deep Mine Safety, Approval P-MWMS-1-85

Part Number/Price

| Part # | Description | Price |
|--------|--|----------|
| 86601 | Vehicle detector includes detector, socket and 4 ft x 8 ft loop with 50 ft lead in wire | \$655.00 |
| 86759 | Vehicle detector includes detector, socket and 4 ft x 10 ft loop with 50 ft lead in wire | \$655.00 |

Photo Eyes



Retro-reflective

Standard Features

- Many varieties available for both truck scale and dynamic weighing applications
- Arrange photo eyes to keep wheels on scale
- Rugged outdoor applications
- Reflective types work up to 17 ft (5.18 m) in clean conditions
- Quick disconnects for easy replacement
- Broken beams can signal a wheel off the scale or prevent a weighment in unattended systems
- Transmitter/receiver types work up to 17 ft in clean conditions

AUTOMATED TICKETING

Part Number/Price

| Part # | Description | Price |
|-----------------------|---|------------|
| Photo Eyes | | |
| 78975 | Allen-Bradley® photo eye retro-reflective sensor | \$340.00 |
| 78976 | Photo eye reflector, 3 in diameter | \$29.00 |
| 78977 | Quick disconnect photo eye cable, 12 ft, 5-Pin mini connector | \$145.00 |
| Photo Switches | | |
| 165776 | Kit, photo eye switch | \$1,395.00 |
| 103013 | Photo switch receiver | \$300.00 |
| 103014 | Photo switch transmitter | \$225.00 |
| 196361 | Photo switch transmitter (DC) | \$265.00 |
| 103015 | Photo switch quick connector receiver | \$145.00 |
| 103016 | Photo switch quick connector transmitter | \$115.00 |
| 130398 | Mounting swivel assembly for 103013 and 103014 | \$31.00 |
| 156532 | Photo eye stand kit | \$425.00 |

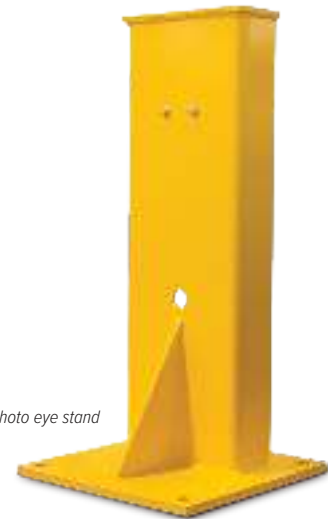
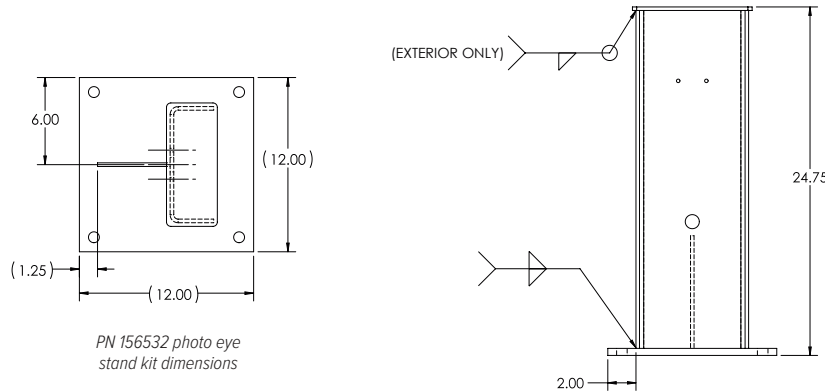


Photo eye stand



PN 156532 photo eye stand kit dimensions

Dimensions listed in inches

Aviation

TABLE OF CONTENTS

| | |
|---|-----------|
| Tracer® AV2 | 40 |
| <i>Baggage Weighing Instrumentation</i> | |

AVIATION

The following product names, logos, brands and other trademarks featured or referred to within this publication are the property of their respective trademark holders.

Tracer® AV2

Baggage Weighing Instrumentation



Approvals



Ideal for baggage weighing, Tracer AV2 combines a sleek five-button keypad with the most durable stainless steel display. The easy-to-install display features a large, backlit LCD display and the rugged keypad will endure years of busy check-in counter use.

Part Number/Price

| Part # | Description | Price |
|--------|--|------------|
| 202532 | Tracer AV2, single LCD panel mount display, single keypad | \$2,060.00 |
| 202531 | Tracer AV2, dual LCD panel mount display, single keypad | \$2,495.00 |
| 207287 | Tracer AV2, dual LCD panel mount display, dual keypad | \$2,595.00 |
| 204452 | Tracer AV2, single LCD external mount display, single keypad | \$2,110.00 |
| 204451 | Tracer AV2, dual LCD external mount display, Single keypad | \$2,645.00 |

To complete your system, refer to page 188 for the BenchMark LP or page 189 for the BenchMark HD scales

Replacement Parts

| Part # | Description | Price |
|--------|--|------------|
| 205206 | Tracer AV2 CPU module | \$1,075.00 |
| 207288 | Kit, RD2 LCD display | \$510.00 |
| 207289 | Kit, RD2 LCD display, external mount package | \$565.00 |
| 207290 | Kit, five-button keypad | \$225.00 |
| 15438 | Power cord, detachable, 7.5 ft long | \$25.00 |
| 203937 | Power supply, 7.5 V 30 W | \$185.00 |
| 207302 | Cable splitter, DB9 female to DB9 male connector | \$11.00 |

Standard Features

- Customer display (panel mount)
- CPU module
- Supports two displays (customer/agent)
- Five-button keypad for ticket agent
- Accumulation function
- Display indicates overweight bag

Specifications

Power:

115 to 230 VAC to CPU module
50/60 Hz

Power Consumption:

6 W

Excitation Voltage:

5 VDC, 8 x 350 ohm load cells

Analog Signal Input Range:

-0.5 mV/V to 4.5 mV/V

Analog Signal Sensitivity:

1 µV/graduation recommended

A/D Sample Rate:

6.25 to 120 Hz, software selectable

Resolution:

Internal: 8,000,000 counts
Display: 1,000,000

System Linearity:

Within 0.01% full scale

Communication:

Ethernet TCP/IP
USB Device

Annunciators:

lb/kg

Display:

Stainless steel, panel mounted, seven-digit LCD display, 0.8 in (20 mm) tall digits

Keys/Buttons:

Zero, Units, Accum, Print, Enter

Temperature Range:

14 °F to 104 °F (-10 °C to 40 °C)

Dimensions:

Panel Mount Display:
7.5 x 4.0 x 1.49 in
(19.05 x 10.16 x 3.79 cm)
External Mount Display:
7.5 x 3.9 x 1.44 in
(19.05 x 9.91 x 3.66 cm)
Panel Mount Keypad:
4.0 x 2.5 x 2.1 in
(10.16 x 6.35 x 5.33 cm)
CPU Enclosure:
7.5 x 7.0 x 2.25 in
without mounting feet
11.13 x 7.0 x 3.06 in
with mounting feet

Weight:

5.25 lb

Warranty:

Two-year limited

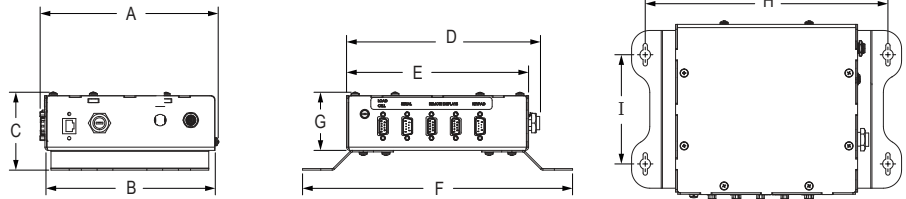
Approvals:

NTEP 21-015, Class III/IIIL, 10,000d
Measurement Canada AM-6168C
cULus

Dimensions

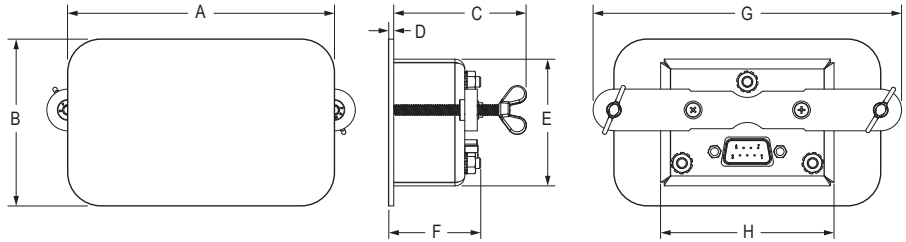
CPU Enclosure Assembly

| | | | |
|---|--------------------|---|---------------------|
| A | 7.30 in (18.55 cm) | F | 11.10 in (28.20 cm) |
| B | 7.00 in (17.78 cm) | G | 2.40 in (6.10 cm) |
| C | 3.20 in (8.13 cm) | H | 10.00 in (25.40 cm) |
| D | 8.00 in (20.32 cm) | I | 4.50 in (11.43 cm) |
| E | 7.50 in (19.05 cm) | | |



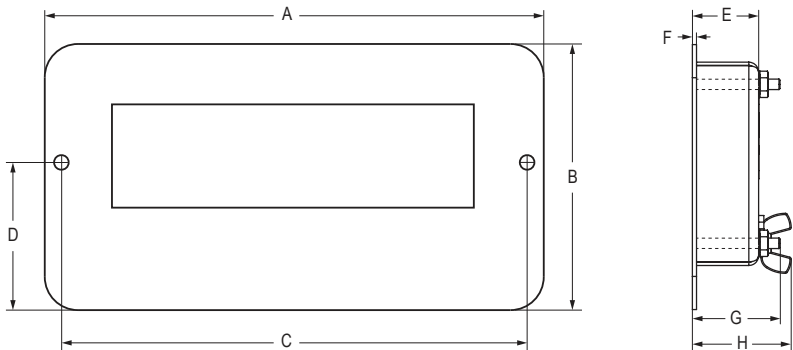
Remote Keypad (Panel Mount)

| | | | |
|---|--------------------|---|--------------------|
| A | 4.00 in (10.16 cm) | E | 1.90 in (4.83 cm) |
| B | 2.50 in (6.35 cm) | F | 1.38 in (3.51 cm) |
| C | 1.98 in (5.03 cm) | G | 4.63 in (11.76 cm) |
| D | 0.063 in (0.16 cm) | H | 2.60 in (6.61 cm) |



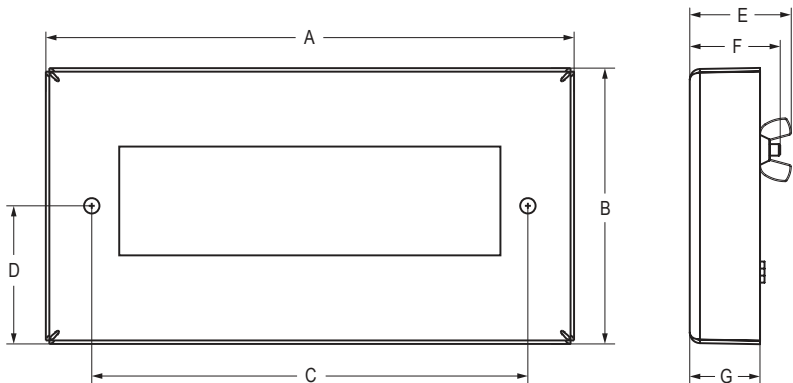
Remote Display (Panel Mount)

| | | | |
|---|--------------------|---|-------------------|
| A | 7.50 in (19.05 cm) | E | 1.00 in (2.54 cm) |
| B | 4.00 in (10.16 cm) | F | 0.06 in (0.16 cm) |
| C | 7.00 in (17.78 cm) | G | 1.33 in (3.38 cm) |
| D | 2.22 in (5.64 cm) | H | 1.49 in (3.79 cm) |

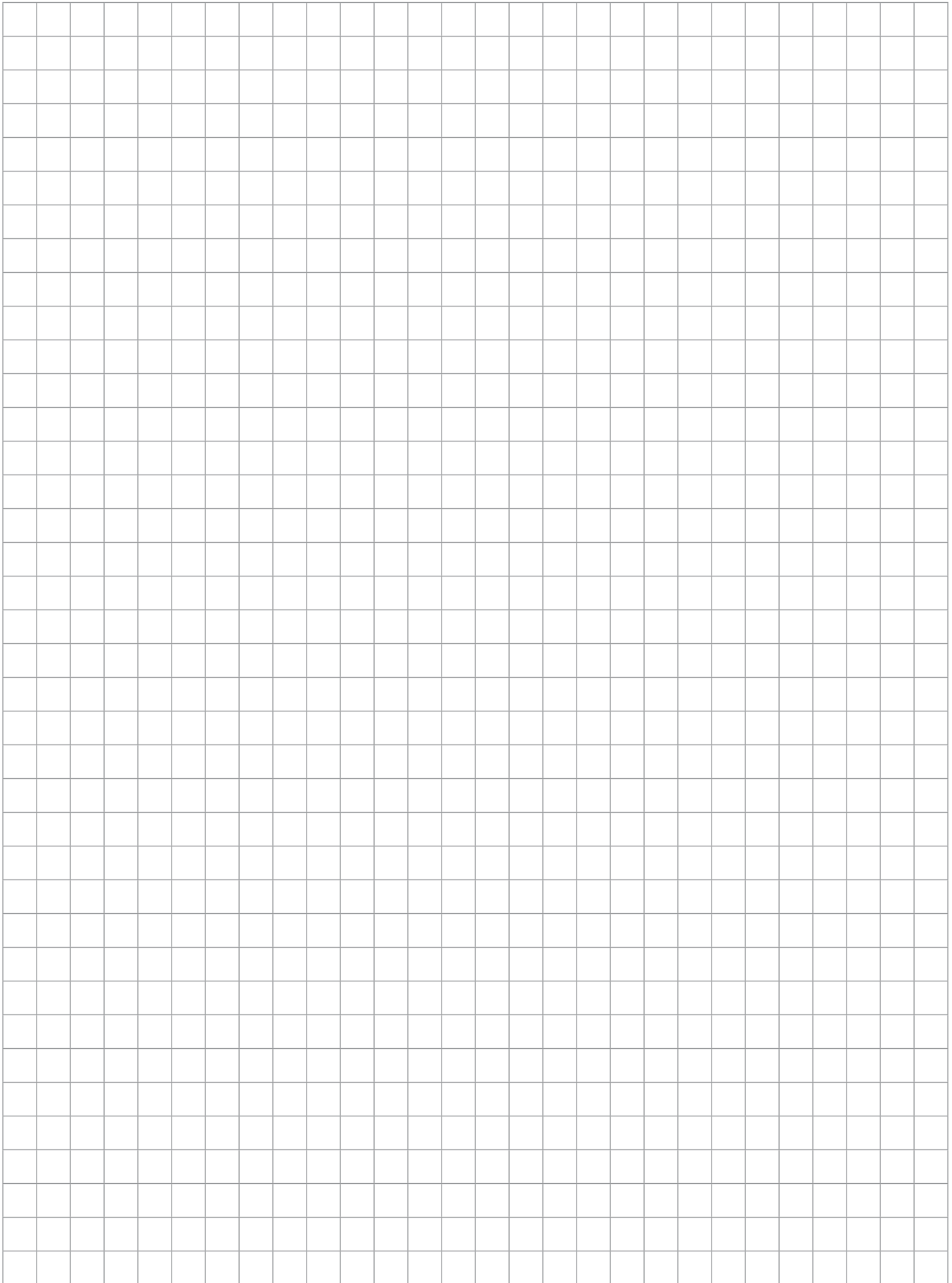


Remote Display (External Mount)

| | | | |
|---|--------------------|---|-------------------|
| A | 7.50 in (19.05 cm) | E | 1.44 in (3.66 cm) |
| B | 3.90 in (9.91 cm) | F | 1.29 in (3.28 cm) |
| C | 6.22 in (15.80 cm) | G | 1.00 in (2.54 cm) |
| D | 1.95 in (4.96 cm) | | |



AVIATION



Balances

| | | |
|--|-----|--|
| TABLE OF CONTENTS | | |
| Balances | 45 | |
| Rice Lake | | |
| ANALYTICAL | | |
| TA Plus Series | 46 | |
| LEGAL FOR TRADE | | |
| TE Enhanced Series | 47 | |
| TOPLOADER | | |
| TS Series Washdown | 48 | |
| TP Series | 49 | |
| TC Series | 50 | |
| Equipoise® Series | 51 | |
| A&D Weighing | | |
| MASS COMPARATOR | | |
| MC Series | 52 | |
| MICRO / SEMI-MICRO | | |
| Ion BM Series | 53 | |
| Phoenix GH Series | 54 | |
| Gemini GR Series | 55 | |
| ANALYTICAL | | |
| Ion BM Series | 56 | |
| Phoenix GH Series | 57 | |
| Gemini GR Series | 58 | |
| HR-AZ/A Series | 59 | |
| Orion HR Series | 60 | |
| AD-4212A Series | 61 | |
| Apollo GF Series | 62 | |
| Apollo GX Series | 63 | |
| LEGAL FOR TRADE | | |
| GF-P Series | 64 | |
| FX-i Series | 65 | |
| EK-i Series | 66 | |
| EW-i Series | 67 | |
| PRECISION | | |
| Apollo GX Series | 68 | |
| Apollo GF Series | 69 | |
| FX-iWP Series Washdown | 70 | |
| FX-i Series | 71 | |
| AD-4212A Series | 72 | |
| FX-i Series | 73 | |
| Apollo GX Series | 74 | |
| Apollo GF Series | 75 | |
| FX-iWP Series Washdown | 76 | |
| EJ Newton Series | 77 | |
| EK-i Series | 78 | |
| EW-i Series | 79 | |
| HIGH CAPACITY | | |
| GX-M Series | 80 | |
| GF-M Series | 81 | |
| GP Series | 82 | |
| INTRINSICALLY SAFE | | |
| EK-AEP Series | 84 | |
| MOISTURE ANALYZERS | | |
| MS-70/MX-50/MF-50/ML-50 | 85 | |
| STATIC ELIMINATOR | | |
| AD-1683 | 86 | |
| Ohaus | | |
| SEMI-MICRO | | |
| Explorer® Series | 87 | |
| ANALYTICAL | | |
| Pioneer® PX Series | 88 | |
| Explorer® Series | 89 | |
| Adventurer® Series | 90 | |
| LEGAL FOR TRADE | | |
| Scout® SJX Series | 91 | |
| Valor® 7000 Series | 92 | |
| Adventurer® Series | 93 | |
| PRECISION | | |
| Adventurer® Series | 94 | |
| Pioneer® PX Series | 95 | |
| Explorer® Series | 96 | |
| Scout® Series | 97 | |
| TOPLOADER | | |
| Pioneer® PX Series | 98 | |
| Explorer® Series | 99 | |
| Adventurer® Series | 100 | |
| Navigator™ XT Series | 101 | |
| Scout® Series | 102 | |
| Valor® 3000 Xtreme Series | 104 | |
| Valor® 3000 Xtreme Series Washdown | 105 | |
| Valor® 2000 Series Washdown | 106 | |
| Compass CX Series | 107 | |
| Compass CR Series | 108 | |
| HH Series | 109 | |
| YA Series | 110 | |
| Valor® 1000 Series | 111 | |
| HIGH CAPACITY | | |
| Explorer® Series | 112 | |
| MECHANICAL | | |
| Triple Beam | 113 | |
| Harvard Trip Balance | 114 | |
| Dial-O-Gram® and Cent-O-Gram® | 115 | |
| Field Test Scale | 116 | |
| Heavy Duty Solution | 116 | |
| MOISTURE ANALYZER | | |
| MB Series | 117 | |
| Sartorius | | |
| ULTRA-MICRO / MICRO | | |
| Cubis® II Series MCA | 118 | |
| Cubis® II Series MCE | 119 | |
| SEMI-MICRO | | |
| Cubis® II MCA Series | 120 | |
| Cubis® II MCE Series | 121 | |
| Quintix/Secura Series | 122 | |
| ANALYTICAL | | |
| Practum/Quintix/Secura Series | 123 | |
| Cubis® II MCA Series | 124 | |
| Cubis® II MCE Series | 125 | |
| ANALYTICAL | | |
| Entris® II Series Basic Essential | 126 | |
| Entris® II Series Basic Advanced | 127 | |
| LEGAL FOR TRADE | | |
| Entris® II Series Basic Essential | 128 | |
| Secura Series | 129 | |
| PRECISION | | |
| Cubis® II Series MCA | 130 | |
| Cubis® II Series MCE | 131 | |
| Entris® II Series Basic Essential | 132 | |
| Entris® II Series Basic Advanced | 133 | |
| Practum/Quintix/Secura Series | 134 | |
| TOPLOADER | | |
| Practum/Quintix/Secura Series | 135 | |
| Cubis® II Series MCA | 136 | |
| Cubis® II Series MCE | 137 | |
| Entris® II Series Basic Essential | 138 | |
| Entris® II Series Basic Advanced | 139 | |
| MOISTURE ANALYZER | | |
| MA35, MA37 and MA160 Series | 140 | |
| Accessories | | |
| ADAPTER CABLE, RS-232/USB KEYBOARD INPUT | | |
| AbleCable® | 141 | |
| DATA CAPTURE AND STORAGE | | |
| Go-Between™ | 142 | |
| Kasota Stone Balance Slab | 143 | |
| Kasota Stone Balance Table | 143 | |
| Granite Clean Room Table | 143 | |
| Anti-Vibration Pad | 144 | |
| Scoops | 144 | |
| STATIC BRUSHES, IONIZING STRIPS AND ACCESSORIES | | |
| Static Control | 145 | |

BALANCES

TA Plus Series

Standard Features

- Mono-metal tuning fork sensor (MMTS) provides quick response and stability
- Internal adjustment weight
- Anti-electrostatic 360° transparent windshield
- Eight-digit, 16.5 mm high liquid crystal display (LCD) with backlight
- Single-touch response setting for environment
- 40-step bar graph display
- RS-232 interface for connecting to printer or PC
- ISO/GLP/GMP compliant printing record
- Plastic housing
- Underweigh hook

Specifications

Weighing Units:

Carat, pennyweight, troy ounce, decimal ounce, decimal pound (see technical manual for complete listing)

Operating Modes:

Counting, percentage, limit function (checkweighing), specific gravity

Power:

120 VAC adapter

RS-232 Baud Rate:

1200/2400/4800/9600/19200 bps, 8/7 data bits, Parity bit-none/odd/even

Calibration Weight:

TA Plus-124: 120 g
TA Plus-224: 220 g

Temperature:

Operating:
50 °F to 86 °F (10 °C to 30 °C)

Humidity:

80% RH or lower

Est. Weight:

6.4 lb (2.9 kg)

Warranty:

Five-year limited

Return Policy:

Rice Lake standard policy

| Model | Capacity | Readability | Repeatability | Linearity | Pan Size | Weighing Chamber | Dimensions | Part # | List Price |
|-------------|----------|-------------|---------------|------------|-------------------|---|---------------------------------------|--------|------------|
| TA Plus-124 | 120 g | 0.0001 g | 1 division | 1 division | Ø 3.15 in (80 mm) | 8.9 × 8.4 × 8.4 in (225 × 213 × 213 mm) | 11 × 7.9 × 12 in (290 × 200 × 306 mm) | 196569 | \$2,250.00 |
| TA Plus-224 | 220 g | 0.0001 g | 1 division | 1 division | Ø 3.15 in (80 mm) | 8.9 × 8.4 × 8.4 in (225 × 213 × 213 mm) | 11 × 7.9 × 12 in (290 × 200 × 306 mm) | 196570 | \$2,160.00 |

Options/Accessories

| Part # | Description | Price |
|--------|---|----------|
| 108255 | 115 VAC adapter | \$58.00 |
| 108256 | 230 VAC adapter | \$88.00 |
| 108257 | In-use cover | \$58.00 |
| 107398 | Additional operating manual | \$18.00 |
| 75351 | WinWedge® Tal software | \$345.00 |
| 66535 | Null modem cable | \$46.00 |
| 119919 | AbleCable, requires null modem cable PN 66535 | \$190.00 |



MMTS technology 50 times more sensitive than a load cell.



TE Enhanced Series

Standard Features

- Mono-metal tuning fork sensor (MMTS) provides quick response and stability
- Seven-segment (main)/16-segment (sub) display
- 30-step bar graph display
- AA dry-cell port, (150 hours continuous use with LCD backlight and communication signal ON)
- RS-232 interface for connecting to printer or PC
- Glass breeze break (available on TE-223, TE-322NC and TE-623 only)

Specifications

Weighing Units:

Milligram, gram, ounce, pound, carat, pennyweight, troy ounce (see technical manual for complete listing)

Operating Modes:

Weighing, counting, percentage, coefficient, specific gravity, statistics, animal, formulation

Power:

100 to 240 VAC adapter, AA dry cell (batteries not included)

Temperature:

Operating:
41 °F to 95 °F (5 °C to 35 °C)

Est. Weight:

TE-223/322NC: 6.5 lb (3 kg)
TE-623/3202/6202/15001/1501NC/8200NC:
6.0 lb (2.7 kg)

Warranty:

Five-year limited

Return Policy:

Rice Lake standard policy

Approvals:

NTEP Certified 17-104A2
Measurement Canada AM-6169



Measurement
Canada
Approved

| Model | Capacity | Resolution | NTEP Resolution | Pan Size | Weighing Chamber | Dimensions | Part # | List Price |
|---|----------|------------|-----------------|-----------------------------|---|---|--------|------------|
| NTEP Certified Only | | | | | | | | |
| TE-223 | 220 g | 0.001 g | 0.01 g | 4.6 in (118 mm) | 8.9 × 5.9 × 5.9 in (226 × 150 × 150 mm) | 10.6 × 8.1 × 11.8 in (270 × 208 × 301 mm) | 187600 | \$1,100.00 |
| TE-623 | 620 g | 0.001 g | 0.01 g | 4.6 in (118 mm) | 8.9 × 5.9 × 5.9 in (226 × 150 × 150 mm) | 10.6 × 8.1 × 11.8 in (270 × 208 × 301 mm) | 186030 | \$1,400.00 |
| TE-3202 | 3,200 g | 0.01 g | 0.1 g | 6.3 × 7.1 in (160 × 180 mm) | N/A | 10.4 × 7.5 × 3.4 in (265 × 192 × 86 mm) | 186035 | \$1,200.00 |
| TE-6202 | 6,200 g | 0.01 g | 0.1 g | 6.3 × 7.1 in (160 × 180 mm) | N/A | 10.4 × 7.5 × 3.4 in (265 × 192 × 86 mm) | 186036 | \$1,302.00 |
| TE-15001 | 15,000 g | 0.1 g | 1.0 g | 6.3 × 7.1 in (160 × 180 mm) | N/A | 10.4 × 7.5 × 3.4 in (265 × 192 × 86 mm) | 186037 | \$1,260.00 |
| NTEP Certified and Measurement Canada Approved | | | | | | | | |
| TE-322NC | 320 g | 0.01 g | 0.01 g | 4.6 in (118 mm) | 8.9 × 5.9 × 5.9 in (226 × 150 × 150 mm) | 10.6 × 8.1 × 11.8 in (270 × 208 × 301 mm) | 204688 | \$1,165.50 |
| TE-1501NC | 1,500 g | 0.1 g | 0.1 g | 6.3 × 7.1 in (160 × 180 mm) | N/A | 10.4 × 7.5 × 3.4 in (265 × 192 × 86 mm) | 204689 | \$1,270.50 |
| TE-8200NC | 8,200 g | 1 g | 1 g | 6.3 × 7.1 in (160 × 180 mm) | N/A | 10.4 × 7.5 × 3.4 in (265 × 192 × 86 mm) | 204690 | \$1,270.50 |

Options/Accessories

| Part# | Description | Price |
|--------|---|----------|
| 186074 | Power supply 100-240 VAC, 50-60 Hz | \$75.00 |
| 186075 | In-use dust cover 620 g models and lower | \$30.00 |
| 186076 | In-use dust cover 3,200 g models and higher | \$30.00 |
| 186077 | Specific Density Measurement Kit | \$690.00 |
| 186079 | Ethernet TCP/IP option card | \$690.00 |



MMTS technology 50 times more sensitive than a load cell.



BALANCES
RICE LAKE

TS Series Washdown

Standard Features

- Mono-metal tuning fork sensor (MMTS) provides quick response and stability
- Stainless steel, IP65 top housing
- Large, 18 mm LCD with backlight
- Selectable modes
- 13 units of measurement
- Washdown with IP65 rating
- Semi-automatic calibration, external weight
- RS-232 interface for connecting to printer or PC

OPTIONS

- Battery holder
- Underweigh hook
- Waterproof RS-232 cable

Specifications

Weighing Units:

Carat, pennyweight, troy ounce, decimal ounce, decimal pound (see technical manual for complete listing)

Operating Modes:

Weight, count, percentage, limit function (checkweighing)

Power:

120 VAC adapter included (230 VAC optional)

Battery Option:

Nickel-cadmium battery, 12-hour run time, 24-hour charge time

RS-232 Baud Rate:

1200/2400/2800/9600;
Data bits - 8, Connector-DIN 5-pin

Calibration Weight:

TP-620: 600 g
TP-6200: 6,000 g
TP-8200: 8,000 g

Temperature:

Operating:
41 °F to 95 °F (5 °C to 35 °C)

Est. Weight:

6.2 lb (2.8 kg)

Warranty:

Five-year limited

Return Policy:

Rice Lake standard policy

| Model | Capacity | Resolution | Calibration | Part # | List Price |
|---------|----------|------------|-------------|--------|------------|
| TS-620 | 620 g | 0.01 g | 600 g | 108156 | \$1,400.00 |
| TS-6200 | 6,200 g | 0.1 g | 6,000 g | 108157 | \$1,500.00 |
| TS-8200 | 8,200 g | 0.1 g | 8,000 g | 112182 | \$1,600.00 |

Options/Accessories

| Part# | Description | Price |
|--------|--|----------|
| 108499 | AC adapter, multi-range 110:230 VAC, 6 VDC | \$58.00 |
| 72440 | 9-pin D-sub F-25-Pin D-sub connector | \$67.00 |
| 22436 | 9-pin D-sub F to blunt end | \$70.00 |
| 66535 | Null modem cable | \$46.00 |
| 119064 | Slimline adapter, null modem gender changer | \$12.50 |
| 109236 | Underweigh hook | \$30.00 |
| 109238 | Waterproof RS-232 cable | \$400.00 |
| 109050 | Additional operating manual | \$18.00 |
| 112611 | Battery operator manual | \$7.00 |
| 112516 | Battery holder option, requires Four AA batteries (not included) | \$121.00 |
| 119919 | AbleCable, requires null modem cable PN 66535 | \$190.00 |



MMTS technology 50 times more sensitive than a load cell.



TP Series

Standard Features

- Mono-metal tuning fork sensor (MMTS) provides quick response and stability
- Large, 16.5 mm-high backlit liquid crystal display (LCD)
- 20-step bar graph display
- RS-232 interface for connecting to printer or PC
- Plastic housing on models < 1,000 g
- Plastic top and die-cast bottom on models > 1,000 g

OPTIONS

- Rechargeable battery
- Underweigh hook

Specifications

Weighing Units:

Carat, pennyweight, troy ounce, decimal ounce, decimal pound (see technical manual for complete listing)

Operating Modes:

Weight, count, percentage, limit function (checkweighing)

Power:

120 VAC (adapter included)

Battery Option:

Nickel-cadmium battery, 12-hour run time, 24-hour charge time

RS-232 Baud Rate:

1200/2400/2800/9600;
Data bits - 8, connector-DIN 5-pin

Calibration Weight:

TP-220: 200 g
TP-820: 800 g
TP-3200: 3,000 g
TP-8200: 8,000 g
TP-12K: 12,000 g

Temperature:

Operating:
41 °F to 95 °F (5 °C to 35 °C)

Est. Weight:

6.2 lb (2.8 kg)

Warranty:

Five-year limited

Return Policy:

Rice Lake standard policy

| Model | Capacity | Readability | Repeatability | Linearity | Pan Size | Weighing Chamber | Dimensions | Part # | List Price |
|---------|----------|-------------|---------------|------------|-----------------------------------|--|--|--------|------------|
| TP-220 | 220 g | 0.001 g | 1 division | 1 division | Ø 4.6 in (117 mm) | 3.7 × 5.5 × 3.7 in (95 × 140 × 95 mm) | 9.2 × 7.1 × 6.6 in (including draft shield) (235 × 182 × 170 mm) | 107244 | \$1,166.00 |
| TP-820 | 820 g | 0.01 g | 1 division | 1 division | 6.6 in × 5.5 in (168 × 140 mm) | N/A | 9.2 × 7.1 × 2.9 in (235 × 182 × 75 mm) | 107245 | \$1,166.00 |
| TP-3200 | 3,200 g | 0.01 g | 1 division | 1 division | 7 in × 6.2 in (178 × 158 mm) | N/A | 10.1 × 7.5 × 3.4 in (265 × 192 × 87 mm) | 107246 | \$1,314.00 |
| TP-8200 | 8,200 g | 0.1 g | 1 division | 1 division | 7 in × 6.2 in (178 × 158 mm) | N/A | 10.1 × 7.5 × 3.4 in (265 × 192 × 87 mm) | 107247 | \$1,166.00 |
| TP-12K | 12,000 g | 0.1 g | 1 division | 1 division | 7 in × 6.2 in (178 × 158 mm) | N/A | 10.1 × 7.5 × 3.4 in (265 × 192 × 87 mm) | 107248 | \$1,345.00 |

Options/Accessories

| Part # | Description | Price |
|--------|---------------------------------------|----------|
| 107249 | Rechargeable battery ≤TP-820 | \$121.00 |
| 107237 | Rechargeable battery ≥TP-3200 | \$121.00 |
| 107250 | In-use dust cover ≥TP-3200 | \$30.00 |
| 107240 | In-use dust cover ≤TP-820 | \$30.00 |
| 109236 | Underweigh hook ≤TP-820 | \$30.00 |
| 109292 | Underweigh hook ≥TP-3200 | \$30.00 |
| 42566 | 115 VAC adapter/12 VDC | \$76.00 |
| 42168 | 230 VAC adapter | \$82.00 |
| 107251 | Additional operating manual | \$18.00 |
| 75351 | WinWedge® Tal software | \$345.00 |
| 115303 | 5-pin to 9-pin DB female RS-232 cable | \$111.00 |



MMTS technology 50 times more sensitive than a load cell.



TC Series

Standard Features

- Mono-metal tuning fork sensor (MMTS) provides quick response and stability
- Large, 16.5 mm-high, backlit liquid crystal display (LCD)
- 20-step bar graph display
- Semi-automatic calibration, external weight
- Plastic housing on models <1,000 g
- Plastic top and die-cast bottom on models >1,000 g

Specifications

Weighing Units:

Carat, pennyweight, troy ounce, decimal ounce, decimal pound (see technical manual for complete listing)

Operating Modes:

Weight, count, percentage, limit function (checkweighing)

Power:

115 VAC adapter included (230 VAC optional)

Calibration Weight:

TC-620: 600 g
 TC-1200: 1,200 g
 TC-4200: 4,000 g
 TC-6200: 6,200 g

Temperature:

Operating:
 41 °F to 95 °F (5 °C to 35 °C)

Est. Weight:

TC-620: 2.9 lb (1.3 kg)
 TC-1200: 2.9 lb (1.3 kg)
 TC-4200: 5.9 lb (2.7 kg)
 TC-6200: 5.9 lb (2.7 kg)

Warranty:

Five-year limited

Return Policy:

Rice Lake standard policy

| Model | Capacity | Readability | Repeatability | Linearity | Pan Size | Dimensions | Part # | List Price |
|---------|----------|-------------|---------------|------------|-----------------------------|---|--------|------------|
| TC-620 | 620 g | 0.01 g | 1 division | 1 division | Ø 5.5 in (140 mm) | 9.2 × 7.1 × 2.9 in (234 × 180 × 74 mm) | 107232 | \$815.00 |
| TC-1200 | 1,200 g | 0.1 g | 1 division | 1 division | 6.7 × 5.6 in (170 × 142 mm) | 10.4 × 7.5 × 3.4 in (264 × 191 × 86 mm) | 107233 | \$750.00 |
| TC-4200 | 4,200 g | 0.1 g | 1 division | 1 division | 7 × 6.2 in (178 × 158 mm) | 10.4 × 7.5 × 3.4 in (264 × 191 × 86 mm) | 107234 | \$815.00 |
| TC-6200 | 6,200 g | 0.1 g | 1 division | 1 division | 7 × 6.2 in (178 × 158 mm) | 10.4 × 7.5 × 3.4 in (264 × 191 × 86 mm) | 107235 | \$878.00 |

Options/Accessories

| Part # | Description | Price |
|--------|---|----------|
| 107236 | Rechargeable battery TC-620, TC-1200, 32 hr | \$121.00 |
| 107237 | Rechargeable battery TC-4200, TC-6200, 32 hr | \$121.00 |
| 107238 | RS-232 option with DIN-5-pin connector (not compatible with battery option) (TC-620, TC-1200) | \$150.00 |
| 107239 | RS-232 option with DIN-5-pin connection (not compatible with battery option) (TC-4200, TC-6200) | \$150.00 |
| 107240 | In-use dust cover, 620 g to 1,200 g | \$30.00 |
| 107250 | In-use dust cover, 4,200 g to 6,200 g | \$30.00 |
| 109236 | Underweigh hook TC-620, TC-1200 | \$30.00 |
| 109292 | Underweigh hook TC-4200, TC-6200 | \$30.00 |
| 42566 | 120 VAC adapter/12 VDC | \$76.00 |
| 42168 | 230 VAC adapter | \$82.00 |
| 107243 | Additional operating manual | \$18.00 |
| 75351 | WinWedge® software | \$345.00 |
| 115303 | 5-pin DIN to DB9F RS-232 cable | \$111.00 |
| 115148 | RS-232 manual | \$7.00 |



MMTS technology 50 times more sensitive than a load cell.



Equipoise® Series

Standard Features

- LCD display
- Quick response
- Accumulation, counting and percentage modes
- 13 different units of measure
- Detachable enclosed weighing chamber (in capacities = 1 kg)
- Battery operation for up to 40 hours of continuous use (without backlight)
- RS-232 interface for connecting to printer or PC
- Plastic enclosure

Specifications

Weighing Units:

Gram, ounce, pound, carat, pennyweight, troy ounce, grain (see technical manual for complete listing)

Operating Modes:

Weighing, percent weighing, parts counting, accumulation

Power:

AC adapter (12 V/500 mA); internal rechargeable battery (6 V/1.2 Ah)

Stabilization Time:

2 seconds

Battery Life:

Up to 40 hours of continuous use (without backlight)

Calibration Weight:

EQ-300: 300 g
EQ-600: 600 g
EQ-1500: 1,500 g
EQ-3000: 3,000 g
EQ-6000: 6,000 g

Temperature:

Operating:
32 °F to 104 °F (0 °C to 40 °C)

Est. Weight:

6.6 lb (3 kg)

Return Policy:

Rice Lake standard policy

Warranty:

One-year limited

Approval:

CE Approved



| Model | Capacity | Readability | Repeatability | Linearity | Weighing Chamber | Pan Size | Part # | List Price |
|---------|----------|-------------|---------------|-----------|---|--------------------------------|--------|------------|
| EQ-300 | 300 g | 0.01 g | 0.01 g | 0.02 g | 6.7 × 5.7 × 3.1 in (170 × 145 × 80 mm) | Ø 4.7 in (Ø 120 mm) | 165338 | \$300.00 |
| EQ-600 | 600 g | 0.02 g | 0.02 g | 0.04 g | 6.7 × 5.7 × 3.1 in (170 × 145 × 80 mm) | Ø 4.7 in (Ø 120 mm) | 165339 | \$300.00 |
| EQ-1500 | 1,500 g | 0.05 g | 0.05 g | 0.1 g | N/A | 4.8 × 5.6 in (122 × 142 mm) | 165340 | \$300.00 |
| EQ-3000 | 3,000 g | 0.1 g | 0.1 g | 0.2 g | N/A | 4.8 × 5.6 in (122 × 142 mm) | 165341 | \$300.00 |
| EQ-6000 | 6,000 g | 0.2 g | 0.2 g | 0.4 g | N/A | 4.8 × 5.6 in (122 × 142 mm) | 165342 | \$300.00 |

Options/Accessories

| Part# | Description | Price |
|--------|---|----------|
| 41279 | Printer cable, DB9M to 25-pin M | \$70.00 |
| 103142 | SP742 dot matrix printer, tear bar | \$520.00 |
| 119919 | AbleCable RS-232/USB cable (requires 130789) | \$190.00 |
| 130789 | Slim line null modem adapter | \$14.50 |
| 131135 | Aluminum case | \$103.00 |
| 165183 | AC adapter, 110-240 V AC, interchangeable plugs | \$46.00 |



PN 165183 Multi-range AC adapter and multi-plug



BALANCES
RICE LAKE

MC Series

Standard Features

- Super hybrid sensor technology
- Bright VFD display
- Manage ASTM and OIML weights
- Built-in calibration weight
- GLP/LIM/ISO compliant
- RS-232 interface for connecting to printer or PC
- Underweigh hook

Specifications

Weighing Units:

Gram, ounce, pound, carat, pennyweight, troy ounce, pound/ounce (see technical manual for complete listing)

Operating Modes:

Weighing, percentage, comparator

Power:

120/240 AC adapter

Stabilization Time:

5 seconds

Calibration Weight:

MC-1000S: 1,000 g
 MC-6100: 6,000 g
 MC-10K: 10 kg
 MC-30K: 30 kg

Temperature:

Operating:
 41 °F to 104 °F (5 °C to 40 °C)

Humidity:

85% RH or less
 (no condensation)

Est. Weight:

MC-1000S: 4.6 kg
 MC-6100: 5.1 kg
 MC-10K and MC-30K: 9.3 kg

Warranty:

Five-year limited

Return Policy:

A&D Weighing standard policy - restock fee may apply

| Model | Capacity | Readability | Repeatability | Linearity | Pan Size | Dimensions | Part # | List Price |
|----------|----------|-------------|------------------------------------|-----------|-----------------------------------|---|--------|------------|
| MC-1000S | 1,100 g | 0.1 mg | 0.0005 g / 1 kg / 0.0004 g / 500 g | ±0.002 g | 5.04 × 5.04 in (128 × 128 mm) | 8.27 × 12.48 × 3.39 in (210 × 317 × 86 mm) | 151262 | \$7,425.00 |
| MC-6100 | 6,100 g | 0.001 g | 0.004 g / 5 kg / 0.0015 g / 2 kg | ±0.02 g | 5.79 × 5.79 in (147 × 147 mm) | 10.63 × 8.27 in (270 × 210 mm) | 151263 | \$7,425.00 |
| MC-10K | 10.1 kg | 0.001 g | 0.005 g / 10 kg / 0.004 g / 5 kg | ±0.03 g | 10.63 × 8.27 in (270 × 210 mm) | 11.81 × 13.80 × 4.37 in (300 × 355 × 111 mm) | 151264 | \$8,900.00 |
| MC-30K | 31 kg | 0.01 g | 0.015 g / 20 kg | ±0.2 g | 10.63 × 8.27 in (270 × 210 mm) | 10.63 × 10.63 in (270 × 210 mm) | 151265 | \$8,900.00 |

Options/Accessories

| Part # | Model # | Description | Price |
|--------|-----------------|--|------------|
| 151266 | AX-MC1000PAN | Auto center pan, MC-1000S | \$1,390.00 |
| 151267 | AX-MC6100PAN | Auto center pan, MC-6100 | \$1,390.00 |
| 151268 | AX-MC10K-30KPAN | Auto center pan, MC-10/30K | \$1,770.00 |
| 151247 | AD-1688 | Data logger | \$370.00 |
| 97649 | TB-648 | AC adapter (120 V/220 V) | \$53.00 |
| 97695* | GX-04 | Comparator output, factory installed | \$960.00 |
| 97696* | GX-06 | Analog output, factory installed | \$1,010.00 |
| 97699 | GX-12 | Animal weigh pan | \$205.00 |
| 97700 | GX-13 | Density determination for MC-1000S | \$695.00 |
| 97607 | AD-1682 | External rechargeable battery pack | \$815.00 |
| 97612 | SW-128 | Foot switch | \$100.00 |
| 196128 | AD-8127 | Impact dot matrix, statistical printer, includes cable | \$1,030.00 |

* Only one option may be installed and requires factory installation



Ion BM Series

Standard Features

- Built-in fanless static eliminator
- Anti-static glass
- Weighing chamber
- Built-in motorized calibration weight
- One-touch environmental filters
- GLP/LIM/ISO compliant
- RS-232C and WinCT© software standard
- AD-1688 Weighing Data Logger included
- Underweigh hook

Specifications

Weighing Units:

Carat, pennyweight, troy ounce (see technical manual for complete listing)

Operating Modes:

Percentage, counting

Power:

120/240 AC adapter

Stabilization Time:

BM-20: 10 seconds (typically)
 BM-22: 8 to 10 seconds
 BM-252: 8 seconds

Calibration Weight:

BM-20 and BM-22: 20 g
 BM-252: 200 g

Temperature:

Operating:
 41 °F to 104 °F (5 °C to 40 °C)

Humidity:

85% RH or less
 (no condensation)

Est. Weight:

10 kg (ships by motor freight)

Warranty:

Five-year limited

Return Policy:

A&D Weighing standard policy - restock fee may apply

| Model | Capacity | Readability | Repeatability | Linearity | Pan Size | Dimensions | Part # | List Price |
|---------------|--------------|------------------------|--------------------|---------------------|-------------------|--|---------------|-------------|
| BM-20 | 22 g | 0.000001 g | 0.0025 mg | ±0.010 mg | Ø 0.98 in (25 mm) | 10.2 × 18.3 × 12.8 in (259 × 466 × 326 mm) | 150762 | \$19,525.00 |
| BM-22 | 22 g / 5.1 g | 0.00001 g / 0.000001 g | 0.004 mg / 0.01 mg | ±0.010 mg / 0.02 mg | Ø 0.98 in (25 mm) | 10.2 × 18.3 × 12.8 in (259 × 466 × 326 mm) | 150763 | \$18,550.00 |
| BM-252 | 250 g | 0.00001 g | 0.03 mg | ±0.010 mg | Ø 3.6 in (90 mm) | 10.2 × 18.3 × 12.8 in (259 × 466 × 326 mm) | 150765 | \$9,875.00 |

Options/Accessories

| Part # | Model # | Description | Price |
|---------------|----------|--|------------|
| 150769 | BM-08 | Balance OPT, Ethernet BM | \$350.00 |
| 97606 | AD-1653 | Density determination kit (BM-252/200/300/500 only) | \$675.00 |
| 97609 | AD-8922A | Remote controller | \$765.00 |
| 97608 | AD-8920A | Universal remote display | \$325.00 |
| 97612 | SW:128 | Foot switch | \$100.00 |
| 97649 | TB:648 | AC adapter (120 V/220 V) | \$53.00 |
| 196128 | AD-8127 | Impact dot matrix, statistical printer, includes cable | \$1,030.00 |



**BALANCES
A&D WEIGHING**

Phoenix GH Series

Standard Features

- Simple and easy to operate, adapts to your environment
- GLP/GMP/GCP/ISO compliant which outputs the calibration data and ID number of the balance for calibration confirmation to the AD-8121B printer
- Internal adjustment weight
- System diagnostic to alert operator of abnormal weighing conditions
- Weighing chamber
- RS-232 interface for connecting to printer or PC
- Data memory function
- Time and date function
- WinCT[©] communication tools software
- Liquid crystal display (LCD)
- Underweigh hook

Specifications

Weighing Units:

Carat, pennyweight, troy ounce, decimal ounce (see technical manual for complete listing)

Operating Modes:

Percentage, counting

Power:

120 VAC (AC adapter) 50/60 Hz, 11 VA (110, 220, 240 available by special order)

Stabilization Time:

Approx. 3.5 sec (0.1 mg)/8 sec (0.01 mg)

Calibration Weight:

20 g/50 g/100 g/200 g

Temperature:

Operating:
41 °F to 104 °F (5 °C to 40 °C)

Humidity:

85% RH or less
(no condensation)

Est. Weight:

Approx. 18 lb (8.2 kg)

Warranty:

Five-year limited

Return Policy:

A&D Weighing standard policy - restock fee may apply

| Model | Capacity | Readability | Repeatability | Linearity | Weighing Chamber | Pan Size | Dimensions | Part # | List Price |
|---------------|---------------|--------------------|--------------------|------------------|--|------------------|---|--------------|------------|
| GH-202 | 220 g / 51 g | 0.0001 / 0.00001 g | ±0.2 mg / ±0.03 mg | 0.1 mg / 0.02 mg | 6.45 × 4.87 × 9.88 in (164 × 149 × 251 mm) | Ø 3.6 in (90 mm) | 8.54 × 17.4 × 12.24 in (217 × 442 × 316 mm) | 97601 | \$6,100.00 |
| GH-252 | 250 g / 101 g | 0.0001 / 0.00001 g | ±0.2 mg / ±0.10 mg | 0.1 mg / 0.03 mg | 6.45 × 4.87 × 9.88 in (164 × 149 × 251 mm) | Ø 3.6 in (90 mm) | 8.54 × 17.4 × 12.24 in (217 × 442 × 316 mm) | 97602 | \$6,700.00 |

Options/Accessories

| Part # | Model # | Description | Price |
|---------------|----------|-------------------------------------|------------|
| 97604 | GH-08 | Ethernet option for GH | \$350.00 |
| 97605 | AD-100-2 | Anti-theft device | \$90.00 |
| 97606 | AD-1653 | Density determination kit | \$675.00 |
| 97607 | AD-1682 | Rechargeable battery pack, external | \$815.00 |
| 97608 | AD-8920A | Universal remote display | \$325.00 |
| 97609 | AD-8922A | Remote controller | \$765.00 |
| 97610 | AD-1683 | Static eliminator | \$1,440.00 |
| 151247 | AD-1688 | Data logger | \$370.00 |
| 97612 | SW:128 | Foot switch | \$100.00 |
| 97649 | TB:648 | AC adapter (120 V/220 V) | \$53.00 |

BALANCES
A&D WEIGHING



Gemini GR Series

Standard Features

- GLP/GMP/GCP/ISO compliant software outputs the calibration data and ID number of the balance for calibration confirmation to the AD-8121B printer
- Easy-access door system
- Automatic self-calibration
- Data memory function
- Weighing chamber
- Internal adjustment weight
- Liquid crystal display (LCD)
- RS-232 interface for connecting to printer or PC
- WinCT[®] communication tools software
- Underweigh hook

Specifications

Weighing Units:

Carat, pennyweight, troy ounce, decimal ounce (see technical manual for complete listing)

Operating Modes:

Percentage, counting

Power:

120 VAC (AC adapter) 50/60 Hz, 11 VA (110, 220, 240 VAC adapter by special order)

Stabilization Time:

Approx. 3.5 sec (0.1 mg)/8 sec (0.01 mg)

Calibration Weight:

100 g/200 g

Temperature:

Operating:
41 °F to 104 °F (5 °C to 40 °C)

Humidity:

85% RH or less
(no condensation)

Est. Weight:

Approx. 13.2 lb (6.0 kg)

Warranty:

Five-year limited

Return Policy:

A&D Weighing standard policy - restock fee may apply

| Model | Capacity | Readability | Repeatability | Linearity | Weighing Chamber | Pan Size | Dimensions | Part # | List Price |
|--------|------------|--------------------|--------------------|----------------------|---|------------------|---|--------|------------|
| GR-202 | 210 / 42 g | 0.0001 / 0.00001 g | 0.0001 / 0.00002 g | ±0.0002 / ±0.00003 g | 7.01 × 6.5 × 9.17 in (178 × 160 × 233 mm) | Ø 3.3 in (85 mm) | 9.8 × 12.99 × 12.87 in (249 × 330 × 327 mm) | 97628 | \$5,625.00 |

Options/Accessories

| Part # | A&D Model # | Description | Price |
|--------|-------------|--|------------|
| 97605 | AD-100-2 | Anti-theft device | \$90.00 |
| 97606 | AD-1653 | Density determination kit | \$675.00 |
| 97607 | AD-1682 | Rechargeable battery pack | \$815.00 |
| 97608 | AD-8920A | Universal remote display | \$325.00 |
| 97609 | AD-8922A | Remote controller | \$765.00 |
| 97610 | AD-1683 | Static eliminator | \$1,440.00 |
| 97612 | SW-128 | Foot switch | \$100.00 |
| 97649 | TB-648 | AC adapter (120 V/220 V) | \$53.00 |
| 151247 | AD-1688 | Data logger | \$370.00 |
| 196128 | AD-8127 | Impact dot matrix, statistical printer, includes cable | \$1,030.00 |



BALANCES
A&D WEIGHING

Ion BM Series

Standard Features

- Built-in fanless static eliminator
- Anti-static glass
- Weighing chamber
- Built-in motorized calibration weight
- One-touch environmental filters
- GLP/LIM/ISO compliant
- RS-232C and WinCT© software standard
- AD-1688 Weighing Data Logger included
- Underweigh hook

Specifications

Weighing Units:

Carat, pennyweight, troy ounce (see technical manual for complete listing)

Operating Modes:

Percentage, counting

Power:

120/240 AC adapter

Stabilization Time:

BM-200, BM-300, BM-500: approx. 3.5 seconds

Calibration Weight:

BM-200: 200 g
BM-300: 300 g
BM-500: 500 g

Temperature:

Operating:
41 °F to 104 °F (5 °C to 40 °C)

Humidity:

85% RH or less
(no condensation)

Est. Weight:

10 kg (ships by motor freight)

Warranty:

Five-year limited

Return Policy:

A&D Weighing standard policy -
restock fee may apply

| Model | Capacity | Readability | Repeatability | Linearity | Pan Size | Dimensions | Part # | List Price |
|--------|----------|-------------|---------------|-----------|---------------------|---|--------|------------|
| BM-200 | 220 g | 0.0001 g | 0.1 mg | ±0.2 mg | Ø 3.6 in (90 mm) | 10.2 × 18.3 × 12.8 in (259 × 466 × 326 mm) | 150766 | \$5,250.00 |
| BM-300 | 320 g | 0.0001 g | 0.2 mg | ±0.3 mg | Ø 3.6 in (90 mm) | 10.2 × 18.3 × 12.8 in (259 × 466 × 326 mm) | 150767 | \$5,475.00 |
| BM-500 | 520 g | 0.0001 g | 0.2 mg | ±0.5 mg | Ø 3.6 in (90 mm) | 10.2 × 18.3 × 12.8 in (259 × 466 × 326 mm) | 150768 | \$7,625.00 |

Options/Accessories

| Part # | Model # | Description | Price |
|--------|----------|--|------------|
| 150769 | BM-08 | Balance OPT, Ethernet BM | \$350.00 |
| 97606 | AD-1653 | Density determination kit | \$675.00 |
| 97609 | AD-8922A | Remote controller | \$765.00 |
| 97608 | AD-8920A | Universal remote display | \$325.00 |
| 97612 | SW:128 | Foot switch | \$100.00 |
| 97649 | TB:648 | AC adapter (120 V/220 V) | \$53.00 |
| 196128 | AD-8127 | Impact dot matrix, statistical printer, includes cable | \$1,030.00 |



Phoenix GH Series

Standard Features

- Simple and easy to operate, adapts to your environment
- GLP/GMP/GCP/ISO compliant which outputs the calibration data and ID number of the balance for calibration confirmation to the AD-8121B printer
- Internal adjustment weight
- System diagnostic to alert operator of abnormal weighing conditions
- Weighing chamber
- RS-232 interface for connecting to printer or PC
- Data memory function
- Time and date function
- WinCT[®] communication tools software
- Liquid crystal display (LCD)
- Underweigh hook

Specifications

Weighing Units:

Carat, pennyweight, troy ounce, decimal ounce (see technical manual for complete listing)

Operating Modes:

Percentage, counting

Power:

120 VAC (AC adapter) 50/60 Hz, 11 VA (110, 220, 240 available by special order)

Stabilization Time:

Approx. 3.5 sec (0.1 mg)/8 sec (0.01 mg)

Calibration Weight:

GH-120: 50 g/100 g
GH-200: 100 g/200 g
GH-300: 100 g/200 g/300 g

Temperature:

Operating:
41 °F to 104 °F (5 °C to 40 °C)

Humidity:

85% RH or less (no condensation)

Est. Weight:

Approx. 18 lb (8.2 kg)

Warranty:

Five-year limited

Return Policy:

A&D Weighing standard policy - restock fee may apply

| Model | Capacity | Readability | Repeatability | Linearity | Weighing Chamber | Pan Size | Dimensions | Part # | List Price |
|--------|----------|-------------|---------------|-----------|---|---------------------|--|--------|------------|
| GH-120 | 120 g | 0.0001 g | ±0.2 mg | 0.1 mg | 6.45 × 4.87 × 9.88 in (164 × 149 × 251 mm) | Ø 3.6 in (90 mm) | 8.54 × 17.4 × 12.24 in (217 × 442 × 316 mm) | 97597 | \$4,050.00 |
| GH-200 | 220 g | 0.0001 g | ±0.2 mg | 0.1 mg | 6.45 × 4.87 × 9.88 in (164 × 149 × 251 mm) | Ø 3.6 in (90 mm) | 8.54 × 17.4 × 12.24 in (217 × 442 × 316 mm) | 97599 | \$4,575.00 |
| GH-300 | 320 g | 0.0001 g | ±0.3 mg | 0.2 mg | 6.45 × 4.87 × 9.88 in (164 × 149 × 251 mm) | Ø 3.6 in (90 mm) | 8.54 × 17.4 × 12.24 in (217 × 442 × 316 mm) | 97600 | \$5,425.00 |

Options/Accessories

| Part # | Model # | Description | Price |
|--------|----------|-------------------------------------|------------|
| 97604 | GH-08 | Ethernet option | \$350.00 |
| 97605 | AD-100-2 | Anti-theft device | \$90.00 |
| 97606 | AD-1653 | Density determination kit | \$675.00 |
| 97607 | AD-1682 | Rechargeable battery pack, external | \$815.00 |
| 97608 | AD-8920A | Universal remote display | \$325.00 |
| 97609 | AD-8922A | Remote controller | \$765.00 |
| 97610 | AD-1683 | Static eliminator | \$1,440.00 |
| 151247 | AD-1688 | Data logger | \$370.00 |
| 97612 | SW:128 | Foot switch | \$100.00 |
| 97649 | TB:648 | AC adapter (120 V/220 V) | \$53.00 |



BALANCES
A&D WEIGHING

Gemini GR Series

Standard Features

- GLP/GMP/GCP/ISO compliant software outputs the calibration data and ID number of the balance for calibration confirmation to the AD-8121B printer
- Easy-access door system
- Automatic self-calibration
- Data memory function
- Weighing chamber
- Internal adjustment weight
- Liquid crystal display (LCD)
- RS-232 interface for connecting to printer or PC
- WinCT[©] communication tools software
- Underweigh hook

Specifications

Weighing Units:

Carat, pennyweight, troy ounce, decimal ounce (see technical manual for complete listing)

Operating Modes:

Percentage, counting

Power:

120 VAC (AC adapter) 50/60 Hz, 11 VA (110, 220, 240 VAC adapter by special order)

Stabilization Time:

Approx. 3.5 sec (0.1 mg)/8 sec (0.01 mg)

Calibration Weight:

GR-120: 50 g/100 g
GR-200: 100 g/200 g
GR-300: 200 g/300 g

Temperature:

Operating:
41 °F to 104 °F (5 °C to 40 °C)

Humidity:

85% RH or less
(no condensation)

Est. Weight:

13.2 lb (6.0 kg)

Warranty:

Five-year limited

Return Policy:

A&D Weighing standard policy - restock fee may apply

| Model | Capacity | Readability | Repeatability | Linearity | Weighing Chamber | Pan Size | Dimensions | Part # | List Price |
|--------|----------|-------------|---------------|-----------|--|---------------------|--|--------|------------|
| GR-120 | 120 g | 0.0001 g | 0.0001 g | ±0.0002 g | 7.01 × 6.5 × 9.17 in (178 × 160 × 233 mm) | Ø 3.3 in (85 mm) | 9.8 × 12.99 × 12.87 in (249 × 330 × 327 mm) | 97625 | \$3,500.00 |
| GR-200 | 210 g | 0.0001 g | 0.0001 g | ±0.0002 g | 7.01 × 6.5 × 9.17 in (178 × 160 × 233 mm) | Ø 3.3 in (85 mm) | 9.8 × 12.99 × 12.87 in (249 × 330 × 327 mm) | 97626 | \$3,975.00 |
| GR-300 | 310 g | 0.0001 g | 0.0001 g | ±0.0002 g | 7.01 × 6.5 × 9.17 in (178 × 160 × 233 mm) | Ø 3.3 in (85 mm) | 9.8 × 12.99 × 12.87 in (249 × 330 × 327 mm) | 97627 | \$4,950.00 |

Options/Accessories

| Part # | A&D Model # | Description | Price |
|--------|-------------|--|------------|
| 97605 | AD-100-2 | Anti-theft device | \$90.00 |
| 97606 | AD-1653 | Density determination kit | \$675.00 |
| 97607 | AD-1682 | Rechargeable battery pack | \$815.00 |
| 97608 | AD-8920A | Universal remote display | \$325.00 |
| 97609 | AD-8922A | Remote controller | \$765.00 |
| 97610 | AD-1683 | Static eliminator | \$1,440.00 |
| 97612 | SW:128 | Foot switch | \$100.00 |
| 97649 | TB:648 | AC adapter (120 V/220 V) | \$53.00 |
| 151247 | AD-1688 | Data logger | \$370.00 |
| 196128 | AD-8127 | Impact dot matrix, statistical printer, includes cable | \$1,030.00 |



HR-AZ/A Series

Standard Features

- Fast stabilization time
- One-touch calibration in HR-AZ models
- Compact size
- Weighing chamber
- Rotary sliding doors
- Removable breeze break with anti-static coating
- GLP/GMP/GCP/ISO compliant

Specifications

Weighing Units:

Carat, pennyweight, troy ounce, decimal ounce (see technical manual for complete listing)

Operating Modes:

Weighing, percent weighing, parts counting, density

Power:

120/240 AC adapter

Stabilization Time:

3 seconds

Calibration Weight:

HR-100A and HR100AZ: 200 g
HR-150A and HR-150AZ: 150 g
HR-250A and HR-250AZ: 100 g

Temperature:

Operating:
41 °F to 104 °F (5 °C to 40 °C)

Humidity:

85% RH or less (no condensation)

Est. Weight:

8.6 lb (3.9 kg)

Warranty:

Five-year limited

Return Policy:

A&D Weighing standard policy - restock fee may apply

| Model | Capacity | Readability | Repeatability | Linearity | Pan Size | Dimensions | Part # | List Price |
|----------|----------|-------------|---------------------------------|-----------|------------------|---|--------|------------|
| HR-100A | 102 g | 0.0001 g | 0.1 mg | ± 0.2 mg | Ø 3.6 in (90 mm) | 7.8 × 11.6 × 12.3 in (198 × 294 × 313 mm) | 150777 | \$2,090.00 |
| HR-100AZ | 102 g | 0.0001 g | 0.1 mg | ± 0.2 mg | Ø 3.6 in (90 mm) | 7.8 × 11.6 × 12.3 in (198 × 294 × 313 mm) | 150779 | \$2,575.00 |
| HR-150A | 152 g | 0.0001 g | 0.1 mg | ± 0.2 mg | Ø 3.6 in (90 mm) | 7.8 × 11.6 × 12.3 in (198 × 294 × 313 mm) | 150780 | \$2,200.00 |
| HR-150AZ | 152 g | 0.0001 g | 0.1 mg | ± 0.2 mg | Ø 3.6 in (90 mm) | 7.8 × 11.6 × 12.3 in (198 × 294 × 313 mm) | 150781 | \$2,700.00 |
| HR-250A | 252 g | 0.0001 g | <200 mg 0.1 mg / >200 mg 0.2 mg | ± 0.3 mg | Ø 3.6 in (90 mm) | 7.8 × 11.6 × 12.3 in (198 × 294 × 313 mm) | 150782 | \$2,400.00 |
| HR-250AZ | 252 g | 0.0001 g | <200 mg 0.1 mg / >200 mg 0.2 mg | ± 0.3 mg | Ø 3.6 in (90 mm) | 7.8 × 11.6 × 12.3 in (198 × 294 × 313 mm) | 150783 | \$2,875.00 |

Options/Accessories

| Part# | A&D Model # | Description | Price |
|--------|-------------|-------------------------------------|----------|
| 151247 | AD-1688 | Data logger | \$370.00 |
| 98027* | FXi-02 | Quick USB interface with cable | \$105.00 |
| 98028* | FXi-08 | Ethernet interface with WINCT© Plus | \$350.00 |
| 98029* | FXi-09 | Rechargeable battery | \$390.00 |
| 97649 | TB:648 | AC adapter (120 V/220 V) | \$53.00 |

*Only one option may be installed and factory installation required



BALANCES
A&D WEIGHING

Orion HR Series

Standard Features

- GLP/GMP/GCP/ISO compliant software outputs the calibration data and ID number of the balance for calibration confirmation to the AD-8121B printer
- System diagnostics to alert the operator of abnormal weighing conditions
- RS-232C bidirectional interface (option for HR-60, HR-120 and HR-200; standard for HR-300i and HR-202i)
- Weighing chamber
- Liquid crystal display (LCD)
- WinCT[®] communication tools software
- Underweigh hook

Note: Orion HR series does have internal adjustment weight

Specifications

Weighing Units:

Carat, pennyweight, troy ounce, decimal ounce (see technical manual for complete listing)

Operating Modes:

Percentage, counting

Power:

120 VAC (AC adapter) 50/60 Hz (110, 220, 240 VAC adapter available by special order)

Stabilization Time:

Approx. 3.5 seconds

Calibration Weight:

300 g/200 g/100 g

Temperature:

Operating:
41 °F to 104 °F (5 °C to 40 °C)

Humidity:

85% RH or less
(no condensation)

Est. Weight:

Approx. 17.6 lb (8.0 kg)

Warranty:

Five-year limited

Return Policy:

A&D Weighing standard policy - restock fee may apply

| Model | Capacity | Readability | Repeatability | Linearity | Weighing Chamber | Pan Size | Dimensions | Part # | List Price |
|---------|----------|-------------|---------------|-----------|---|---------------------|--|--------------|------------|
| HR-300i | 320 g | 0.0001 g | ±0.0003 mg | 0.0002 mg | 6.45 × 5.84 × 9.88 in (164 × 149 × 251 mm) | Ø 3.6 in (90 mm) | 8.54 × 17.4 × 12.24 in (217 × 442 × 316 mm) | 97642 | \$4,185.00 |

Options/Accessories

| Part # | A&D Model # | Description | Price |
|---------------|-------------|--|------------|
| 97605 | AD-100-2 | Anti-theft device | \$90.00 |
| 97606 | AD-1653 | Density determination kit | \$675.00 |
| 97607 | AD-1682 | Rechargeable battery pack | \$815.00 |
| 97608 | AD-8920A | Universal remote display | \$325.00 |
| 97610 | AD-1683 | Static eliminator | \$1,440.00 |
| 97609 | AD-8922A | Remote controller | \$765.00 |
| 97649 | TB:648 | AC adapter (120 V/220 V) | \$53.00 |
| 151247 | AD-1688 | Data logger | \$370.00 |
| 196128 | AD-8127 | Impact dot matrix, statistical printer, includes cable | \$1,030.00 |



AD-4212A Series

Standard Features

- Comparator output (Hi/Ok/Lo) feature for manual or automatic operation as well as buzzer function
- GLP/GMP compliant software output
- Breeze break for maximum accuracy and fastest response
- Standard calibration weight
- Simple operator reference card provided
- Multi-weighing units
- Time and date clock function
- Data memory function for weighing, calibration, counting and Hi/Ok/Lo values
- Super Hybrid Sensor Technology (SHS)
- WinCT[®] communication tools software
- RS-232 interface for connecting to printer or PC

Specifications

Weighing Units:

Milligram, ounce, carat, pennyweight, troy ounce, grain (see technical manual for complete listings)

Operating Modes:

Counting, percentage

Power:

120 VAC adapter, 11 VA

Stabilization Time:

AD-4212A-100, AD-4212B-102:
0 to 30 g approx. 1.3 seconds
30 to 110 g approx. 1.3 seconds

I/O Interface Comparator Output:

3 level output with buzzer

I/O Interface External Contact Input:

Re-zero and print

Calibration Weight:

50 g

Connection Cable:

Approx. 2 m (between weighing unit and display unit)

Temperature:

Operating:
41 °F to 104 °F (5 °C to 40 °C)

Humidity:

85% RH or less
(no condensation)

Est. Weight:

8.5 lb (4 kg)

Warranty:

Five-year limited

Return Policy:

A&D Weighing standard policy - restock fee may apply

| Model | Capacity | Readability | Repeatability | Linearity | Pan Size | Dimensions | Part # | List Price |
|--------------|----------|-------------|---------------|-----------|--------------------------|--|--------|-------------|
| AD-4212A-100 | 110 g | 0.1 mg | 0.15 g | ±0.3 mg | 2 × 2 in (50 × 50 mm) | 3.2 × 9.1 × 3.5 in (80 × 230 × 90 mm) | 97654 | \$6,500.00 |
| AD-4212B-102 | 110 g | 0.01 mg | 0.15 g | ±0.3 mg | 2 × 2 in (50 × 50 mm) | 3.2 × 9.1 × 3.5 in (80 × 230 × 90 mm) | 102925 | \$10,050.00 |
| AD-4212B-201 | 210 g | 0.1 mg | 1 mg | ±2 mg | 2 × 2 in (50 × 50 mm) | 3.2 × 9.1 × 3.5 in (80 × 230 × 90 mm) | 102926 | \$7,700.00 |
| AD-4212B-301 | 310 g | 0.1 mg | 1 mg | ±2 mg | 2 × 2 in (50 × 50 mm) | 3.2 × 9.1 × 3.5 in (80 × 230 × 90 mm) | 102927 | \$8,550.00 |

Options/Accessories

| Part # | A&D Model # | Description | Price |
|--------|-------------|--|----------|
| 97672 | AD-4212A-01 | BCD output (factory installed, four month lead time) | \$615.00 |
| 97674 | AD-4212A-07 | Extension cable, 3 m | \$180.00 |
| 97675 | AD-4212A-08 | Ethernet interface with WinCT [®] | \$350.00 |
| 97676 | AD-4212A-19 | Stainless steel breeze break (200 g only) | \$130.00 |



Apollo GF Series

Standard Features

- Electronically controlled load (ECL) self-diagnostic before internal repeatability test without an external weight in less than 1.5 minutes
- External calibration
- Impact shock detection
- Flow rate display
- RS-232 interface for connecting to printer or PC
- Password protection and anti-theft security slot
- GLP/GMP/ISO compliant to either AD-8127 printer or computer
- Transmits date, time, ID number, serial number, model, manufacturer and calibration data
- Rechargeable battery option for portability
- Super Hybrid Sensor Technology (SHS)
- Reverse backlit LCD display
- Underweigh hook
- Optional glass breeze break

Specifications

Weighing Units:

Gram, ounce, pound, pound/ounce, troy ounce, grain (see technical manual for complete listing)

Operating Modes:

Weigh, count and percent

Power:

110/220 V VAC adapter

Stabilization Time:

Approx. 1 second (typical in FAST mode)

Calibration Weight:

GF-124A: 100 g

GF-224A: 200 g

GF-324A: 300 g

Temperature:

Operating:

41 °F to 104 °F (5 °C to 40 °C)

Est. Weight:

11 lb (5.2 kg)

Warranty:

Five-year limited

Return Policy:

A&D Weighing standard policy - restock fee may apply

| Model | Capacity | Readability | Repeatability | Linearity | Weighing Chamber | Pan Size | Dimensions | Part # | List Price |
|---------|----------|-------------|--------------------------------------|-----------|-------------------------|---------------------|---|--------|------------|
| GF-124A | 120 g | 0.0001 g | 0.0001 g | ±0.0002 g | 8.78 in H (223 mm H) | Ø 3.6 in (90 mm) | 10.2 × 14.1 × 13.1 in (259 × 358 × 332 mm) <i>Includes Large Glass Breeze Break</i> | 200327 | \$2,775.00 |
| GF-224A | 220 g | 0.0001 g | 0.0001 g | ±0.0002 g | 8.78 in H (223 mm H) | Ø 3.6 in (90 mm) | 10.2 × 14.1 × 13.1 in (259 × 358 × 332 mm) <i>Includes Large Glass Breeze Break</i> | 200328 | \$3,025.00 |
| GF-324A | 320 g | 0.0001 g | 0.0002 g (300 g) 0.0001 g (200 g) | ±0.0003 g | 8.78 in H (223 mm H) | Ø 3.6 in (90 mm) | 10.2 × 14.1 × 13.1 in (259 × 358 × 332 mm) <i>Includes Large Glass Breeze Break</i> | 200329 | \$3,575.00 |

Options/Accessories

| Part # | A&D Model # | Description | Price |
|--------|--------------|--|------------|
| 192662 | GXA-03 | RS-232C interface (D-sub 9-pin male) | \$275.00 |
| 192663 | GXA-04 | Comparator output (requires 192667) | \$260.00 |
| 192667 | AX-K05692 | MiniDIN 8-pin male for GXA-04 | \$45.00 |
| 192671 | GXA-06 | Analog output (includes 192673) | \$260.00 |
| 192674 | GXA-09 | Internal rechargeable battery (must be factory installed) | \$545.00 |
| 192675 | GXA-10 | Large glass breeze break | \$385.00 |
| 192676 | GXA-12 | Animal weighing pan (for models of 320 g capacity or higher) | \$175.00 |
| 192677 | GXA-13 | Density determination kit (for 1 mg models only) | \$595.00 |
| 192678 | GXA-17 | Large breeze break with built-in fanless ionizer (static eliminator) | \$1,670.00 |
| 192679 | GXA-23-PRINT | External key input interface for SW:137-PRINT foot switch | \$250.00 |
| 192680 | GXA-23-RZERO | External key input interface for SW:137-REZERo foot switch | \$245.00 |
| 192681 | GXA-23-PLUG | External key input interface for AX-T-314A-S plug | \$245.00 |
| 192682 | GXA-24 | USB host interface (USB A type) | \$130.00 |
| 192683 | GXA-25 | External fanless ionizer (static eliminator) | \$960.00 |
| 192684 | GXA-26 | External IR switch (MiniDIN 4-pin male) | \$205.00 |



Apollo GF-324A

Apollo GX Series

Standard Features

- Electronically controlled load (ECL) self-diagnostic before internal repeatability test without an external weight in less than 1.5 minutes
- Internal adjustment weight
- Impact shock detection
- Flow rate display
- RS-232 interface for connecting to printer or PC
- Password protection and anti-theft security slot
- GLP/GMP/ISO compliant to either AD-8127 printer or computer
- Transmits date, time, ID number, serial number, model, manufacturer and calibration data
- Rechargeable battery option for portability
- Super Hybrid Sensor Technology (SHS)
- Reverse backlit LCD display
- Optional glass breeze break
- Under weigh hook

Specifications

Weighing Units:

Gram, ounce, pound, carat, pennyweight, troy ounce, grain (see technical manual for complete listing)

Operating Modes:

Animal weighing, comparator function, ACAL counting function, percentage, density determination, statistical calculation

Power:

120 VAC adapter, Approx. 30 VA

Stabilization Time:

GX-124A: Approx. 1.5 seconds
GX-124AE: Approx. 2 seconds
GX-224A, GX-224AE: Approx. 1 second
GX-324A, GX-324AE: Approx. 2 seconds

Display Refresh Rate:

5 times/second, 10 times/second, 20 times/second

Calibration Weight:

GX-124A, GX-124AE: 100 g
GX-224A, GX-224AE, GX-324A, GX-324AE: 200 g

Ionizer (fanless):

AE versions come standard with built-in fanless ionizer with external touchless sensor

Temperature:

Operating:
41 °F to 104 °F (5 °C to 40 °C)

Humidity:

RH less than 85%
(no condensation)

Est. Weight:

18 lb (8 kg)

Warranty:

Five-year limited

Return Policy:

A&D Weighing standard policy - restock fee may apply

| Model | Capacity | Readability | Repeatability | Linearity | Weighing Chamber | Pan Size | Dimensions | Part # | List Price |
|----------|----------|-------------|--------------------------------------|-----------|-------------------------|---------------------|---|--------|------------|
| GX-124A | 120 g | 0.0001 g | 0.0001 g | ±0.0002 g | 8.78 in H (223 mm H) | Ø 3.6 in (90 mm) | 10.2 × 14.1 × 13.1 in (259 × 358 × 332 mm) <i>Includes Large Glass Breeze Break</i> | 200330 | \$3,300.00 |
| GX-124AE | 120 g | 0.0001 g | 0.0001 g | ±0.0002 g | 8.78 in H (223 mm H) | Ø 3.6 in (90 mm) | 10.2 × 14.1 × 13.1 in (259 × 358 × 332 mm) <i>Includes Large Glass Breeze Break</i> | 200334 | \$4,625.00 |
| GX-224A | 220 g | 0.0001 g | 0.0001 g | ±0.0002 g | 8.78 in H (223 mm H) | Ø 3.6 in (90 mm) | 10.2 × 14.1 × 13.1 in (259 × 358 × 332 mm) <i>Includes Large Glass Breeze Break</i> | 200332 | \$3,550.00 |
| GX-224AE | 220 g | 0.0001 g | 0.0001 g | ±0.0002 g | 8.78 in H (223 mm H) | Ø 3.6 in (90 mm) | 10.2 × 14.1 × 13.1 in (259 × 358 × 332 mm) <i>Includes Large Glass Breeze Break</i> | 200335 | \$4,825.00 |
| GX-324A | 320 g | 0.0001 g | 0.0002 g (300 g) 0.0001 g (200 g) | ±0.0003 g | 8.78 in H (223 mm H) | Ø 3.6 in (90 mm) | 10.2 × 14.1 × 13.1 in (259 × 358 × 332 mm) <i>Includes Large Glass Breeze Break</i> | 200333 | \$3,975.00 |
| GX-324AE | 320 g | 0.0001 g | 0.0002 g (300 g) 0.0001 g (200 g) | ±0.0003 g | 8.78 in H (223 mm H) | Ø 3.6 in (90 mm) | 10.2 × 14.1 × 13.1 in (259 × 358 × 332 mm) <i>Includes Large Glass Breeze Break</i> | 200336 | \$5,175.00 |

Options/Accessories

| Part # | A&D Model # | Description | Price |
|--------|--------------|--|----------|
| 192662 | GXA-03 | RS-232C Interface (D-sub 9-pin male) | \$275.00 |
| 192663 | GXA-04 | Comparator output (requires 192667) | \$260.00 |
| 192667 | AX-K05692 | MiniDIN 8-pin male for GXA-04 | \$45.00 |
| 192671 | GXA-06 | Analog output (includes 192673) | \$260.00 |
| 192674 | GXA-09 | Internal rechargeable battery (must be factory installed) | \$545.00 |
| 192675 | GXA-10 | Large glass breeze break | \$385.00 |
| 192676 | GXA-12 | Animal weighing pan (for models of 320 g capacity or higher) | \$175.00 |
| 192677 | GXA-13 | Density determination kit (for 1 mg models only) | \$595.00 |
| 192679 | GXA-23-PRINT | External key input interface for SW:137-PRINT foot switch | \$250.00 |
| 192680 | GXA-23-RZERO | External key input interface for SW:137-REZERo foot switch | \$245.00 |
| 192681 | GXA-23-PLUG | External key input interface for AX-T-314A-S plug | \$245.00 |
| 192682 | GXA-24 | USB host interface (USB A type) | \$130.00 |
| 192683 | GXA-25 | External fanless ionizer (static eliminator) | \$960.00 |
| 192684 | GXA-26 | External IR switch (MiniDIN 4-pin male) | \$205.00 |



BALANCES
A&D WEIGHING

GF-P Series

Standard Features

- Pill-counting feature also complies with Handbook 44 requirements
- Fast, Super Hybrid Sensor (SHS) gives you the ultimate in response speed; just one second
- GLP/GMP/ISO compliance
- WinCT[®] communication tools software included
- Weighing chamber
- Tough die-cast aluminum housing
- Removable stainless steel pan
- NTEP Certified and Pharmacopoeia approved
- IP54 splash proof operator keyboard protects against dust and spills, stainless steel weigh pan
- Data memory function
- Vacuum Fluorescent Display (VFD)
- RS-232 interface for connecting to printer or PC

Specifications

Weighing Units:

Gram, ounce, pound, pound/ounce, troy ounce, grain (see technical manual for complete listing)

Operating Modes:

Weigh, count and percent

Power:

110/220 V VAC adapter

Stabilization Time:

Approx. 1 second (typical in FAST mode)

Decimal Ounce:

GF-200P: 7.40755 × 0.00005 oz

GF-300P: 10.93493 × 0.00005 oz

Calibration Weight:

GF-200P, GF-300P: 200 g

Temperature:

Operating:

41 °F to 104 °F (5 °C to 40 °C)

Est. Weight:

11 lb (5.2 kg)

Warranty:

Five-year limited

Return Policy:

A&D Weighing standard policy - restock fee may apply

Approvals:

NTEP 04-077 e=0.01 g



| Model | Capacity | Readability | Repeatability | Linearity | Weighing Chamber | Pan Size | Dimensions | Part # | List Price |
|---------|----------|-------------|---------------|-----------|------------------|-------------------|--|--------|------------|
| GF-200P | 210 g | 0.001 g | 0.001 g | ±0.002 g | 3.6 in H (92 mm) | 5 × 5 in (127 mm) | 8.27 × 12.48 × 3.39 in (210 × 317 × 86 mm) | 97799 | \$1,600.00 |
| GF-300P | 310 g | 0.001 g | 0.001 g | ±0.002 g | 3.6 in H (92 mm) | 5 × 5 in (127 mm) | 8.27 × 12.48 × 3.39 in (210 × 317 × 86 mm) | 97800 | \$1,900.00 |

Options/Accessories

| Part# | A&D Model# | Description | Price |
|--------|----------------|---|----------|
| 102891 | GX-02 | USB option | \$180.00 |
| 97697 | GX-10 | Glass breeze break for GF-200 and 300 | \$325.00 |
| 97703 | AX:073003691-S | Protective in-use cover for GF-200/300 (each) | \$26.50 |
| 97649 | TB:648 | AC adapter (120 V/220 V) standard with unit | \$53.00 |

BALANCES
A&D WEIGHING



FX-i Series

Standard Features

- Compact Super Hybrid Sensor Technology (SHS)
- Vacuum Fluorescent Display (VFD)
- GLP/GMP/ISO compliant to either AD-8121 printer or computer. Transmits date, time, ID number, serial number and calibration data.
- RS-232 interface for connecting to printer or PC
- Response indicator function
- Weighing chamber
- Under weigh hook

OPTIONS

- Built-in rechargeable battery
- Quick USB interface (FXi-02) option
- LAN-Ethernet interface
- WinCT[®] communication tools software

Specifications

Weighing Units:

Pound, carat, pennyweight, troy ounce, grain, pound/ounce (see technical manual for complete listings)

Operating Modes:

Weigh, count, percent, animal weighing, statistical, hold and comparator

Power:

120/240 VAC adapter, approx. 11 VA

Stabilization Time:

Approx. 1 second

Display Refresh Rate:

5 times/second, 10 times/second or 20 times/second

Calibration Weight:

FX-300i: 300 g
FX-1200i: 1,000 g

Temperature:

Operating:
41 °F to 104 °F (5 °C to 40 °C)

Humidity:

85% RH or less

Est. Weight:

8 lb (3.5 kg)

Warranty:

Five-year limited

Return Policy:

A&D Weighing standard policy - restock fee may apply

Approvals:

NTEP 08-045A4
Measurement Canada AM-5692



Measurement
Canada
Approved

| Model | Capacity | Readability | Repeatability | Linearity | Pan Size | Dimensions | Part # | List Price |
|------------------------------------|----------|-------------|---------------|-----------|------------------|---|--------|------------|
| NTEP Certified | | | | | | | | |
| FX-1200iN | 1,220 g | 0.01 g | 0.01 g | ±0.02 g | 5.90 in (150 mm) | 7.6 × 10.3 × 3.3 in (193 × 263 × 85 mm) | 163641 | \$1,340.00 |
| Measurement Canada Approved | | | | | | | | |
| FX-300iNC | 320 g | 0.001 g | 0.001 g | ±0.002 g | 5.12 in (130 mm) | 7.6 × 10.3 × 3.3 in (193 × 263 × 85 mm) | 168077 | \$1,420.00 |
| FX-1200iNC | 1,220 g | 0.01 g | 0.01 g | ±0.02 g | 5.90 in (150 mm) | 7.6 × 10.3 × 3.3 in (193 × 263 × 85 mm) | 168076 | \$1,340.00 |

Options/Accessories

| Part # | A&D Model # | Description | Price |
|--------|-------------|--|------------|
| 98027* | FXi-02 | Quick USB interface | \$105.00 |
| 98028* | FXi-08 | Ethernet interface with WinCT [®] Plus software | \$350.00 |
| 98029* | FXi-09 | Built-in rechargeable battery | \$390.00 |
| 98030 | FXi-10 | Small breeze break | \$95.00 |
| 98031 | FXi-11 | Large breeze break | \$160.00 |
| 97649 | TB:648 | AC adapter (120 V/220 V) | \$53.00 |
| 151247 | AD-1688 | Data logger | \$370.00 |
| 196128 | AD-8127 | Impact dot matrix, statistical printer, includes cable | \$1,030.00 |

*Options FXi-02/FXi-08 and FXi-09 cannot be combined and are factory installed only.



**BALANCES
A&D WEIGHING**

EK-i Series

Standard Features

- Backlit weight display
- Remote zeroing
- Easy-to-install NiCad battery option
- RS-232 interface for connecting to printer or PC

Specifications

Weighing Units:

Carat, pennyweight, troy ounce, newton, decimal ounce, decimal pound

Operating Modes:

Counting, percentage

Power:

120 VAC adapter (optional Ni-MH battery pack)

Stabilization Time:

< 2 seconds

Display Type:

7 segment LCD with backlight
(character height 16 mm)

Calibration Weight:

EK-600i: 400 g
EK-1200i: 1,200 g
EK-6000i: 6,000 g
EK-12i: 12 kg

Temperature:

Operating:
14 °F to 104 °F (-10 °C to 40 °C)

Humidity:

Less than 85% R.H. (non-condensing)

Est. Weight:

3.5 lb (1.5 kg)

Warranty:

Five-year limited

Return Policy:

A&D Weighing standard policy -
restock fee may apply

Approvals:

NTEP 04-019A3



| Model | Capacity | Readability | Repeatability | Linearity | Pan Size | Dimensions | Part # | List Price |
|-----------------------|----------|-------------|---------------|-----------|--------------------------------|---|--------|------------|
| NTEP Certified | | | | | | | | |
| EK-600i | 600 g | 0.1 g | 0.1 g | ±0.1 g | 5.2 × 6.7 in (133 × 170 mm) | 7.5 × 8.6 × 2.2 in (190 × 218 × 55 mm) | 97752 | \$620.00 |
| EK-1200i | 1,200 g | 0.1 g | 0.1 g | ±0.1 g | 5.2 × 6.7 in (133 × 170 mm) | 7.5 × 8.6 × 2.2 in (190 × 218 × 55 mm) | 97753 | \$615.00 |
| EK-6000i | 6,000 g | 1 g | 1 g | ±1 g | 5.2 × 6.7 in (133 × 170 mm) | 7.5 × 8.6 × 2.2 in (190 × 218 × 55 mm) | 97758 | \$665.00 |
| EK-12i | 12,000 g | 1 g | 1 g | ±1 g | 5.2 × 6.7 in (133 × 170 mm) | 7.5 × 8.6 × 2.2 in (190 × 218 × 55 mm) | 97759 | \$840.00 |

Options/Accessories

| Part # | A&D Model # | Description | Price |
|--------|---------------|---|----------|
| 97760 | EKW-04i | Comparator/relay outputs/buzzer | \$200.00 |
| 97761 | EKW-07i | Underhook for EK-4100i/6100i/6000i/12Ki/EW-12Ki | \$63.00 |
| 97762 | EKW-09i | NiCad battery pack | \$255.00 |
| 97764 | AX:3005824-5S | Protective dust cover (not in use) | \$15.75 |
| 97605 | AD-100-2 | Anti-theft device | \$90.00 |
| 97766 | TB:662 | AC adapter (120 V) | \$47.50 |
| 97767 | TB:164 | AC adapter (240 V) | \$69.00 |
| 151247 | AD-1688 | Data logger | \$370.00 |

BALANCES
A&D WEIGHING



EW-i Series

Standard Features

- Backlit weight display
- Remote zeroing
- Easy-to-install NiCad battery option
- RS-232 interface for connecting to printer or PC
- Triple range

Specifications

Weighing Units:

Carat, pennyweight, troy ounce, decimal ounce, decimal pound

Operating Mode:

Counting, percentage, comparator

Power:

AC adapter or Ni-MH battery pack (option)

Stabilization Time:

< 2 seconds+

Calibration Weight :

EW-1500i: 1,500 g

EW-12Ki: 12 kg

Temperature:

Operating:

14 °F to 104 °F (-10 °C to 40 °C)

Humidity:

Less than 85% R.H. (non-condensing)

Est. Weight:

3.5 lb (1.5 kg)

Warranty:

Five-year limited

Return Policy:

A&D Weighing standard policy - restock fee may apply

Approvals:

NTEP 04-019A3



| Model | Capacity | Readability | Repeatability | Linearity | Pan Size | Dimensions | Part # | List Price |
|-----------------------|------------------------------|-----------------------|-----------------------|--------------------------|-----------------------------|--|--------------|------------|
| NTEP Certified | | | | | | | | |
| EW-1500i | 300 g / 600 g / 1,500 g | 0.1 g / 0.2 g / 0.5 g | 0.1 g / 0.2 g / 0.5 g | ±0.1 g / ±0.2 g / ±0.5 g | 5.2 × 6.7 in (133 × 170 mm) | 7.5 × 8.6 × 2.2 in (190 × 218 × 55 mm) | 97769 | \$500.00 |
| EW-12Ki | 3,000 g / 6,000 g / 12,000 g | 1 g / 2 g / 5 g | 1 g / 2 g / 5 g | ±1 g / ±2 g / ±5 g | 5.2 × 6.7 in (133 × 170 mm) | 7.5 × 8.6 × 2.2 in (190 × 218 × 55 mm) | 97771 | \$500.00 |

Options/Accessories

| Part # | A&D Model # | Description | Price |
|---------------|---------------|---|----------|
| 97760 | EKW-04i | Comparator/relay outputs/buzzer | \$200.00 |
| 97761 | EKW-07i | Underhook for EK-4100i/6100i/6000i/12Ki/EW-12Ki | \$63.00 |
| 97762 | EKW-09i | NiCad battery pack | \$255.00 |
| 97764 | AX:3005824-5S | Protective dust cover (not in use) | \$15.75 |
| 97605 | AD-100-2 | Anti-theft device | \$90.00 |
| 97766 | TB:662 | AC adapter (120 V) | \$47.50 |
| 97767 | TB:164 | AC adapter (240 V) | \$69.00 |
| 151247 | AD-1688 | Data logger | \$370.00 |



EW-1500i square pan

**BALANCES
A&D WEIGHING**

Apollo GX Series

Standard Features

- Electronically controlled load (ECL) self-diagnostic before internal repeatability test without an external weight in less than 1.5 minutes
- Internal adjustment weight
- Impact shock detection
- Flow rate display
- RS-232 interface for connecting to printer or PC
- Password protection and anti-theft security slot
- GLP/GMP/ISO compliant to either AD-8127 printer or computer
- Transmits date, time, ID number, serial number, model, manufacturer and calibration data
- Rechargeable battery option for portability
- Super Hybrid Sensor Technology (SHS)
- Reverse backlit LCD display
- Optional glass breeze break
- Under weigh hook

Specifications

Weighing Units:

Gram, ounce, pound, carat, pennyweight, troy ounce, grain (see technical manual for complete listing)

Operating Modes:

Animal weighing, comparator function, ACAI counting function, percentage, density determination, statistical calculation

Power:

120 VAC adapter, Approx. 30 VA

Stabilization Time:

Approx. 1 second

Display Refresh Rate:

5 times/second, 10 times/second or 20 times/second

Ionizer (fanless):

AE versions come standard with built-in fanless ionizer with external touchless sensor

Calibration Weight:

GX-203A, GX-303A: 200 g
GX-403A: 400 g
GX-603A: 600 g
GX-1003A, GX-1603A: 1000 g

Est. Weight:

18 lb (8 kg)

Temperature:

Operating:
41 °F to 104 °F (5 °C to 40 °C)

Humidity:

RH less than 85% (no condensation)

Warranty:

Five-year limited

Return Policy:

A&D Weighing standard policy - restock fee may apply

| Model | Capacity | Readability | Repeatability | Linearity | Weighing Chamber | Pan Size | Dimensions | Part # | List Price |
|----------|----------|-------------|---------------|-----------|------------------|-------------------------|---|--------|------------|
| GX-203A | 220 g | 0.001 g | 0.001 g | ±0.002 g | 3 in (85 mm) | 5 × 5 in (128 × 128 mm) | 8.3 × 12.5 × 3.7 in (212 × 317 × 93 mm) | 191691 | \$1,950.00 |
| GX-303A | 320 g | 0.001 g | 0.001 g | ±0.002 g | 3 in (85 mm) | 5 × 5 in (128 × 128 mm) | 8.3 × 12.5 × 3.7 in (212 × 317 × 93 mm) | 191692 | \$2,160.00 |
| GX-403A | 420 g | 0.001 g | 0.001 g | ±0.002 g | 3 in (85 mm) | 5 × 5 in (128 × 128 mm) | 8.3 × 12.5 × 3.7 in (212 × 317 × 93 mm) | 191693 | \$2,290.00 |
| GX-603A | 620 g | 0.001 g | 0.001 g | ±0.002 g | 3 in (85 mm) | 5 × 5 in (128 × 128 mm) | 8.3 × 12.5 × 3.7 in (212 × 317 × 93 mm) | 191694 | \$3,000.00 |
| GX-1003A | 1,100 g | 0.001 g | 0.001 g | ±0.003 g | 3 in (85 mm) | 5 × 5 in (128 × 128 mm) | 8.3 × 12.5 × 3.7 in (212 × 317 × 93 mm) | 191695 | \$3,450.00 |
| GX-1603A | 1,620 g | 0.001 g | 0.001 g | ±0.003 g | 3 in (85 mm) | 5 × 5 in (128 × 128 mm) | 8.3 × 12.5 × 3.7 in (212 × 317 × 93 mm) | 191696 | \$3,925.00 |

Options/Accessories

| Part # | A&D Model # | Description | Price |
|--------|--------------|--|------------|
| 192662 | GXA-03 | RS-232C interface (D-sub 9-pin male) | \$275.00 |
| 192663 | GXA-04 | Comparator output (requires 192667) | \$260.00 |
| 192667 | AX-K05692 | MiniDIN 8-pin male for GXA-04 | \$45.00 |
| 192671 | GXA-06 | Analog output | \$260.00 |
| 192674 | GXA-09 | Internal rechargeable battery (must be factory installed) | \$545.00 |
| 192675 | GXA-10 | Large glass breeze break | \$385.00 |
| 192676 | GXA-12 | Animal weighing pan (for models of 320 g capacity or higher) | \$175.00 |
| 192677 | GXA-13 | Density determination kit (for 1 mg models only) | \$595.00 |
| 192678 | GXA-17 | Large breeze break with built-in fanless ionizer (static eliminator) | \$1,670.00 |
| 192679 | GXA-23-PRINT | External key input interface for SW:137-PRINT foot switch | \$250.00 |
| 192680 | GXA-23-RZERO | External key input interface for SW:137-REZERo foot switch | \$245.00 |
| 192681 | GXA-23-PLUG | External key input interface for AX-T-314A-S plug | \$245.00 |
| 192682 | GXA-24 | USB host interface (USB A type) | \$130.00 |
| 192683 | GXA-25 | External fanless ionizer (static eliminator) | \$960.00 |
| 192684 | GXA-26 | External IR switch (MiniDIN 4-pin male) | \$205.00 |



BALANCES
A&D WEIGHING

Apollo GF Series

Standard Features

- Electronically controlled load (ECL) self-diagnostic before internal repeatability test without an external weight in less than 1.5 minutes
- External calibration
- Impact shock detection
- Flow rate display
- RS-232 interface for connecting to printer or PC
- Password protection and anti-theft security slot
- GLP/GMP/ISO compliant to either AD-8127 printer or computer
- Transmits date, time, ID number, serial number, model, manufacturer and calibration data
- Rechargeable battery option for portability
- Super Hybrid Sensor Technology (SHS)
- Reverse backlit LCD display
- Optional glass breeze break
- Under weigh hook

Specifications

Weighing Units:

pound, carat, pennyweight, troy ounce, grain, decimal ounce, pound/ounce

Operating Modes:

Counting, percentage

Power:

120/240 VAC adapter

Stabilization Time:

Approx. 1.5 seconds (typical in FAST mode)

Display Refresh Rate

5 times/second or 10 times/second

Calibration Weight:

GF-203A: 200 g
 GF-303A: 300 g
 GF-403A: 400 g
 GF-603A: 600 g
 GF-1003A: 1000 g
 GF-1603A: 1500 g

Temperature:

Operating:
 41 °F to 104 °F (5 °C to 40 °C)

Humidity:

RH less than 85% (no condensation)

Est. Weight:

18.3 lb (8.3 kg)

Warranty:

Five-year limited

Return Policy:

A&D Weighing standard policy - restock fee may apply

| Model | Capacity | Readability | Repeatability | Linearity | Weighing Chamber | Pan Size | Dimensions | Part # | List Price |
|----------|----------|-------------|---------------|-----------|---------------------|----------------------------|--|--------|------------|
| GF-203A | 220 g | 0.001 g | 0.001 g | ±0.002 g | 3 in H (85 mm H) | 5 × 5 in (128 × 128 mm) | 8.3 × 12.5 × 3.7 in (212 × 317 × 93 mm) | 191707 | \$1,580.00 |
| GF-303A | 320 g | 0.001 g | 0.001 g | ±0.002 g | 3 in H (85 mm H) | 5 × 5 in (128 × 128 mm) | 8.3 × 12.5 × 3.7 in (212 × 317 × 93 mm) | 191708 | \$1,780.00 |
| GF-403A | 420 g | 0.001 g | 0.001 g | ±0.003 g | 3 in H (85 mm H) | 5 × 5 in (128 × 128 mm) | 8.3 × 12.5 × 3.7 in (212 × 317 × 93 mm) | 191709 | \$1,930.00 |
| GF-603A | 620 g | 0.001 g | 0.001 g | ±0.03 g | 3 in H (85 mm H) | 5 × 5 in (128 × 128 mm) | 8.3 × 12.5 × 3.7 in (212 × 317 × 93 mm) | 191710 | \$2,270.00 |
| GF-1003A | 1,100 g | 0.001 g | 0.001 g | ±0.03 g | 3 in H (85 mm H) | 5 × 5 in (128 × 128 mm) | 8.3 × 12.5 × 3.7 in (212 × 317 × 93 mm) | 191711 | \$2,725.00 |
| GF-1603A | 1,620 g | 0.001 g | 0.002 g | ±0.03 g | 3 in H (85 mm H) | 5 × 5 in (128 × 128 mm) | 8.3 × 12.5 × 3.7 in (212 × 317 × 93 mm) | 191712 | \$3,525.00 |

Options/Accessories

| Part# | A&D Model# | Description | Price |
|--------|--------------|--|------------|
| 192662 | GXA-03 | RS-232C interface (D-sub 9-pin male) | \$275.00 |
| 192663 | GXA-04 | Comparator output (requires 192667) | \$260.00 |
| 192667 | AX-K05692 | MiniDIN 8-pin male for GXA-04 | \$45.00 |
| 192671 | GXA-06 | Analog output | \$260.00 |
| 192674 | GXA-09 | Internal rechargeable battery (must be factory installed) | \$545.00 |
| 192675 | GXA-10 | Large glass breeze break | \$385.00 |
| 192676 | GXA-12 | Animal weighing pan (for models of 320 g capacity or higher) | \$175.00 |
| 192677 | GXA-13 | Density determination kit (for 1 mg models only) | \$595.00 |
| 192678 | GXA-17 | Large breeze break with built-in fanless ionizer (static eliminator) | \$1,670.00 |
| 192679 | GXA-23-PRINT | External key input interface for SW:137-PRINT foot switch | \$250.00 |
| 192680 | GXA-23-RZERO | External key input interface for SW:137-REZERo foot switch | \$245.00 |
| 192681 | GXA-23-PLUG | External key input interface for AX-T-314A-S plug | \$245.00 |
| 192682 | GXA-24 | USB host interface (USB A type) | \$130.00 |
| 192683 | GXA-25 | External fanless ionizer (static eliminator) | \$960.00 |
| 192684 | GXA-26 | External IR switch (MiniDIN 4-pin male) | \$205.00 |



Apollo GF-1003A

BALANCES
A&D WEIGHING

FX-iWP Series Washdown

Standard Features

- Washdown IP65 rating
- Compact Super Hybrid Sensor Technology (SHS)
- Vacuum Fluorescent Display (VFD)
- GLP/GMP/ISO compliant to either AD-8121 printer or computer. Transmits date, time, ID number, serial number and calibration data.
- RS-232 interface for connecting to printer or PC
- Response indicator function
- Underhook weighing

Specifications

Weighing Units:

Carat, pennyweight, troy ounce, grain, pound/ounce (see technical manual for complete listings)

Operating Modes:

Weigh, count, percent, animal weighing, statistical, hold and comparator

Power:

120/240 VAC adapter, approx. 11 VA

Stabilization Time:

Approx. 1 second

Display Refresh Rate:

5 times/second, 10 times/second or 20 times/second

Calibration Weight:

FX-120iWP: 100 g
 FX-200iWP: 200 g
 FX-300iWP: 300 g

Temperature:

Operating:
 41 °F to 104 °F (5 °C to 40 °C)

Humidity:

85% RH or less
 (no condensation)

Est. Weight:

8 lb (3.5 kg)

Warranty:

Five-year limited

Return Policy:

A&D Weighing standard policy - restock fee may apply

| Model | Capacity | Readability | Repeatability | Linearity | Pan Size | Dimensions | Part # | List Price |
|-----------|----------|-------------|---------------|-----------|--------------------|---------------------------------------|--------|------------|
| FX-120iWP | 122 g | 0.001 g | 0.001 g | ±0.002 g | Ø 5.12 in (130 mm) | 6 × 10.3 × 3.3 in (193 × 263 × 85 mm) | 102905 | \$1,660.00 |
| FX-200iWP | 220 g | 0.001 g | 0.001 g | ±0.002 g | Ø 5.12 in (130 mm) | 6 × 10.3 × 3.3 in (193 × 263 × 85 mm) | 102906 | \$1,740.00 |
| FX-300iWP | 320 g | 0.001 g | 0.001 g | ±0.002 g | Ø 5.12 in (130 mm) | 6 × 10.3 × 3.3 in (193 × 263 × 85 mm) | 102907 | \$1,860.00 |

Options/Accessories

| Part # | A&D Model # | Description | Price |
|--------|-------------|--|----------|
| 98027* | FXi-02 | Quick USB interface | \$105.00 |
| 98028* | FXi-08 | Ethernet interface with WinCT [®] Plus software | \$350.00 |
| 98029* | FXi-09 | Built-in rechargeable battery | \$390.00 |
| 98030 | FXi-10 | Small breeze break | \$95.00 |
| 98031 | FXi-11 | Large breeze break | \$160.00 |
| 97649 | TB:648 | AC adapter (120 V/220 V) | \$53.00 |

*Options FXi-02/FXi-08 and FXi-09 cannot be combined and are factory installed only.

BALANCES
A&D WEIGHING



FX-i Series

Standard Features

- Compact Super Hybrid Sensor Technology (SHS)
- Vacuum Fluorescent Display (VFD)
- GLP/GMP/ISO compliant to either AD-8121 printer or computer. Transmits date, time, ID number, serial number and calibration data.
- RS-232 interface for connecting to printer or PC
- Response indicator function
- Weighing chamber
- Under weigh hook

OPTIONS

- Built-in rechargeable battery
- Quick USB interface (FXi-02) option
- LAN-Ethernet interface
- WinCT[®] communication tools software

Note: FXi NTEP and FXi models available by special order (internal adjustment weight)

Specifications

Weighing Units:

Pound, carat, pennyweight, troy ounce, grain, pound/ounce (see technical manual for complete listings)

Operating Modes:

Weigh, count, percent, animal weighing, statistical, hold and comparator

Power:

120/240 VAC adapter, approx. 11 VA

Stabilization Time:

Approx. 1 second

Display Refresh Rate:

5 times/second, 10 times/second or 20 times/second

Calibration Weight:

FX-120i: 100 g
FX-200i: 200 g
FX-300i: 300 g

Temperature:

Operating:
41 °F to 104 °F (5 °C to 40 °C)

Humidity:

85% RH or less
(no condensation)

Est. Weight:

8 lb (3.5 kg)

Warranty:

Five-year limited

Return Policy:

A&D Weighing standard policy - restock fee may apply

| Model | Capacity | Readability | Repeatability | Linearity | Pan Size | Dimensions | Part # | List Price |
|---------|----------|-------------|---------------|-----------|------------------|---|--------|------------|
| FX-120i | 122 g | 0.001 g | 0.001 g | ±0.002 g | 5.12 in (130 mm) | 7.6 × 10.3 × 3.3 in (193 × 263 × 85 mm) | 98021 | \$1,260.00 |
| FX-200i | 220 g | 0.001 g | 0.001 g | ±0.002 g | 5.12 in (130 mm) | 7.6 × 10.3 × 3.3 in (193 × 263 × 85 mm) | 98022 | \$1,310.00 |
| FX-300i | 320 g | 0.001 g | 0.001 g | ±0.002 g | 5.12 in (130 mm) | 7.6 × 10.3 × 3.3 in (193 × 263 × 85 mm) | 98023 | \$1,360.00 |

Options/Accessories

| Part # | A&D Model # | Description | Price |
|--------|-------------|--|------------|
| 98027* | FXi-02 | Quick USB interface | \$105.00 |
| 98028* | FXi-08 | Ethernet interface with WinCT [®] Plus software | \$350.00 |
| 98029* | FXi-09 | Built-in rechargeable battery | \$390.00 |
| 98030 | FXi-10 | Small breeze break | \$95.00 |
| 98031 | FXi-11 | Large breeze break | \$160.00 |
| 97649 | TB:648 | AC adapter (120 V/220 V) | \$53.00 |
| 151247 | AD-1688 | Data logger | \$370.00 |
| 196128 | AD-8127 | Impact dot matrix, statistical printer, includes cable | \$1,030.00 |

*Options FXi-02/FXi-08 and FXi-09 cannot be combined and are factory installed only.



BALANCES
A&D WEIGHING

AD-4212A Series

Standard Features

- Comparator output (Hi/OK/Lo) feature for manual or automatic operation as well as buzzer function
- GLP/GMP compliant software output
- Breeze break for maximum accuracy and fastest response
- Standard calibration weight
- Simple operator reference card provided
- Multi-weighing units
- Time and date clock function
- Data memory function for weighing, calibration, counting and Hi/OK/Lo values
- Super Hybrid Sensor Technology (SHS)
- WinCT[©] communication tools software
- RS-232 interface for connecting to printer or PC

Specifications

Weighing Units:

Milligram, ounce, carat, pennyweight, troy ounce, grain (see technical manual for complete listings)

Operating Modes:

Counting, percentage

Power:

120 VAC adapter, 11 VA

Stabilization Time:

AD-4212A-200, AD-4212B-201: 30 to 210 g approx. 1.0 second
 AD-4212B-301: 30 to 210 g approx. 1.0 second
 AD-4212A-600: 30 to 610 g approx. 1.1 seconds
 AD-4212A-1000: 30 to 1100 g approx. 1.1 seconds

I/O Interface Comparator Output:

3 level output with buzzer

I/O Interface External Contact Input:

Re-zero and print

Calibration Weight (OIML F1) (OPT):

AD-4212A-200, AD-4212B-201, AD-4212B-301: 100 g
 AD-4212A-600, AD-4212A-1000: 200 g

Connection Cable:

Approx. 2 m (between weighing unit and display unit)

Temperature:

Operating:
 41 °F to 104 °F (5 °C to 40 °C)

Humidity:

85% RH or less
 (no condensation)

Est. Weight:

8.5 lb (4 kg)

Warranty:

Five-year limited

Return Policy:

A&D Weighing standard policy - restock fee may apply

| Model | Capacity | Readability | Repeatability | Linearity | Pan Size | Dimensions | Part # | List Price |
|---------------|----------|-------------|---------------|-----------|------------------------------|--|--------|------------|
| AD-4212A-200 | 210 g | 1 mg | 1 mg | ±2 mg | 2 × 2 in (50 × 50 mm) | 3.2 × 9.1 × 3.5 in (80 × 230 × 90 mm) | 97655 | \$5,725.00 |
| AD-4212A-600 | 610 g | 1 mg | 1 mg | ±3 mg | 2.8 × 2.8 in (70 × 70 mm) | 3.2 × 9.1 × 3.5 in (80 × 230 × 90 mm) | 97656 | \$6,300.00 |
| AD-4212A-1000 | 1,100 g | 1 mg | 1 mg | ±3 mg | 2.8 × 2.8 in (70 × 70 mm) | 3.2 × 9.1 × 3.5 in (80 × 230 × 90 mm) | 97657 | \$6,550.00 |

Options/Accessories

| Part# | A&D Model# | Description | Price |
|-------|-------------|--|----------|
| 97672 | AD-4212A-01 | BCD output (factory installed, four month lead time) | \$615.00 |
| 97674 | AD-4212A-07 | Extension cable, 3 m | \$180.00 |
| 97675 | AD-4212A-08 | Ethernet interface with WinCT [©] | \$350.00 |
| 97676 | AD-4212A-19 | Stainless steel breeze break (200 g only) | \$130.00 |

BALANCES
A&D WEIGHING



FX-i Series

Standard Features

- Compact Super Hybrid Sensor Technology (SHS)
- Vacuum Fluorescent Display (VFD)
- GLP/GMP/ISO compliant to either AD-8121 printer or computer. Transmits date, time, ID number, serial number and calibration data.
- RS-232 interface for connecting to printer or PC
- Response indicator function
- Weighing chamber
- Under weigh hook

OPTIONS

- Built-in rechargeable battery
- Quick USB interface (FXi-02) option
- LAN-Ethernet interface
- WinCT[©] communication tools software

Specifications

Weighing Units:

Carat, pennyweight, troy ounce, grain, pound, ounce, (see technical manual for complete listings)

Operating Modes:

Weigh, count, percent, animal weighing, statistical, hold and comparator

Power:

120/240 VAC adapter, approx. 11 VA

Stabilization Time:

Approx. 1 second

Display Refresh Rate

5 times/second, 10 times/second or 20 times/second

Calibration Weight:

FX-1200i: 1,000 g
 FX-2000i: 2,000 g
 FX-3000i: 3,000 g

Temperature:

Operating:
 41 °F to 104 °F (5 °C to 40 °C)

Humidity:

85% RH or less (no condensation)

Est. Weight:

8 lb (3.5 kg)

Warranty:

Five-year limited

Return Policy:

A&D Weighing standard policy - restock fee may apply

| Model | Capacity | Readability | Repeatability | Linearity | Pan Size | Dimensions | Part # | List Price |
|----------|----------|-------------|---------------|-----------|------------------|---|--------|------------|
| FX-1200i | 1,220 g | 0.01 g | 0.01 g | ±0.02 g | 5.90 in (150 mm) | 7.6 × 10.3 × 3.3 in (193 × 263 × 85 mm) | 98024 | \$1,290.00 |
| FX-2000i | 2,200 g | 0.01 g | 0.01 g | ±0.02 g | 5.90 in (150 mm) | 7.6 × 10.3 × 3.3 in (193 × 263 × 85 mm) | 98025 | \$1,350.00 |
| FX-3000i | 3,200 g | 0.01 g | 0.01 g | ±0.02 g | 5.90 in (150 mm) | 7.6 × 10.3 × 3.3 in (193 × 263 × 85 mm) | 98026 | \$1,410.00 |

Options/Accessories

| Part # | A&D Model # | Description | Price |
|--------|-------------|--|------------|
| 98027* | FXi-02 | Quick USB interface | \$105.00 |
| 98028* | FXi-08 | Ethernet interface with WinCT [©] Plus software | \$350.00 |
| 98029* | FXi-09 | Built-in rechargeable battery | \$390.00 |
| 98030 | FXi-10 | Small breeze break | \$95.00 |
| 98031 | FXi-11 | Large breeze break | \$160.00 |
| 97649 | TB:648 | AC adapter (120 V/220 V) | \$53.00 |
| 151247 | AD-1688 | Data logger | \$370.00 |
| 196128 | AD-8127 | Impact dot matrix, statistical printer, includes cable | \$1,030.00 |

*Options FXi-02/FXi-08 and FXi-09 cannot be combined and are factory installed only.



BALANCES
A&D WEIGHING

Apollo GX Series

Standard Features

- Electronically controlled load (ECL) self-diagnostic before internal repeatability test without an external weight in less than 1.5 minutes
- Internal adjustment weight
- Impact shock detection
- Flow rate display
- RS-232 interface for connecting to printer or PC
- Password protection and anti-theft security slot
- GLP/GMP/ISO compliant to either AD-8127 printer or computer
- Transmits date, time, ID number, serial number, model, manufacturer and calibration data
- Rechargeable battery option for portability
- Super Hybrid Sensor Technology (SHS)
- Reverse backlit LCD display
- Optional glass breeze break
- Under weigh hook

Specifications

Weighing Units:

Gram, ounce, pound, carat, pennyweight, troy ounce, grain (see technical manual for complete listing)

Operating Modes:

Animal weighing, comparator function, ACAL counting function, percentage, density determination, statistical calculation

Power:

120 VAC adapter, approx. 30 VA

Stabilization Time:

Approx. 1 sec.

Display Refresh Rate:

5 times/second, 10 times/second or 20 times/second

Calibration Weight:

GX-2002A, GX-3002A: 2,000 g
 GX-4002A: 4000 g
 GX-6001A, GX-6002A: 5,000 g
 GX-10001A, GX-10002A: 10,000 g

Temperature:

Operating:
 41 °F to 104 °F (5 °C to 40 °C)

Humidity:

RH less than 85%
 (no condensation)

Est. Weight:

18 lb (8 kg)

Warranty:

Five-year limited

Return Policy:

A&D Weighing Standard Policy - restock fee may apply

| Model | Capacity | Readability | Repeatability | Linearity | Pan Size | Dimensions | Part # | List Price |
|-----------|----------|-------------|---------------|-----------|--------------------------------|--|--------|------------|
| GX-2002A | 2,200 g | 0.01 g | 0.01 g | ±0.02 g | 6.5 × 6.5 in (165 × 165 mm) | 8.3 × 12.5 × 3.7 in (212 × 317 × 93 mm) | 191697 | \$2,160.00 |
| GX-3002A | 3,200 g | 0.01 g | 0.01 g | ±0.02 g | 6.5 × 6.5 in (165 × 165 mm) | 8.3 × 12.5 × 3.7 in (212 × 317 × 93 mm) | 191700 | \$2,575.00 |
| GX-4002A | 4,200 g | 0.01 g | 0.01 g | ±0.02 g | 6.5 × 6.5 in (165 × 165 mm) | 8.3 × 12.5 × 3.7 in (212 × 317 × 93 mm) | 191701 | \$2,700.00 |
| GX-6001A | 6,200 g | 0.1 g | 0.1 g | ±0.01 g | 6.5 × 6.5 in (165 × 165 mm) | 8.3 × 12.5 × 3.7 in (212 × 317 × 93 mm) | 191705 | \$2,390.00 |
| GX-6002A | 6,200 g | 0.01 g | 0.01 g | ±0.03 g | 6.5 × 6.5 in (165 × 165 mm) | 8.3 × 12.5 × 3.7 in (212 × 317 × 93 mm) | 191702 | \$3,150.00 |
| GX-10001A | 10,200 g | 0.1 g | 0.1 g | ±0.01 g | 6.5 × 6.5 in (165 × 165 mm) | 8.3 × 12.5 × 3.7 in (212 × 317 × 93 mm) | 191706 | \$2,360.00 |
| GX-10002A | 10,200 g | 0.01 g | 0.02 g | ±0.03 g | 6.5 × 6.5 in (165 × 165 mm) | 8.3 × 12.5 × 3.7 in (212 × 317 × 93 mm) | 191704 | \$4,225.00 |

Options/Accessories

| Part# | A&D Model# | Description | Price |
|--------|--------------|--|------------|
| 192662 | GXA-03 | RS-232C Interface (D-sub 9-pin male) | \$275.00 |
| 192663 | GXA-04 | Comparator output (requires 192667) | \$260.00 |
| 192667 | AX-K05692 | MiniDIN 8-pin male for GXA-04 | \$45.00 |
| 192671 | GXA-06 | Analog output (includes 192673) | \$260.00 |
| 192674 | GXA-09 | Internal rechargeable battery (must be factory installed) | \$545.00 |
| 192676 | GXA-12 | Animal weighing pan (for models of 320 g capacity or higher) | \$175.00 |
| 192677 | GXA-13 | Density determination kit (for 1 mg models only) | \$595.00 |
| 192678 | GXA-17 | Large breeze break with built-in fanless ionizer (static eliminator) | \$1,670.00 |
| 192679 | GXA-23-PRINT | External key input interface for SW:137-PRINT foot switch | \$250.00 |
| 192680 | GXA-23-RZERO | External key input interface for SW:137-REZERo foot switch | \$245.00 |
| 192681 | GXA-23-PLUG | External key input interface for AX-T-314A-S plug | \$245.00 |
| 192682 | GXA-24 | USB host interface (USB A type) | \$130.00 |
| 192683 | GXA-25 | External fanless ionizer (static eliminator) | \$960.00 |
| 192684 | GXA-26 | External IR switch (MiniDIN 4-pin male) | \$205.00 |



Apollo GX-3002A

BALANCES
A&D WEIGHING

Apollo GF Series

Standard Features

- Electronically controlled load (ECL) self-diagnostic before internal repeatability test without an external weight in less than 1.5 minutes
- External calibration
- Impact shock detection
- Flow rate display
- RS-232 interface for connecting to printer or PC
- Password protection and anti-theft security slot
- GLP/GMP/ISO compliant to either AD-8127 printer or computer
- Transmits date, time, ID number, serial number, model, manufacturer and calibration data
- Rechargeable battery option for portability
- Super Hybrid Sensor Technology (SHS)
- Reverse backlit LCD display
- Optional glass breeze break
- Under weigh hook

Specifications

Weighing Units:

Pound, carat, pennyweight, troy ounce, grain, decimal ounce, pound/ounce

Operating Modes:

Counting, percentage

Power:

120/240 VAC adapter

Stabilization Time:

Approx. 1.5 seconds (typical in FAST mode)

Display Refresh Rate:

5 times/second or 10 times/second

Calibration Weight:

GF-1202A: 1 kg
 GF-2002A: 2 kg
 GF-3002A: 3 kg
 GF-4002A: 4 kg
 GF-6002A: 6 kg
 GF-6001A: 6 kg
 GF-10001A: 10 kg
 GF-10002A: 10 kg

Temperature:

Operating:
 41 °F to 104 °F (5 °C to 40 °C)

Humidity:

RH less than 85% (no condensation)

Est. Weight:

18.3 lb (8.3 kg)

Warranty:

Five-year limited

| Model | Capacity | Readability | Repeatability | Linearity | Pan Size | Dimensions | Part # | List Price |
|-----------|----------|-------------|---------------|-----------|--------------------------------|--|--------|------------|
| GF-1202A | 1,220 g | 0.01 g | 0.01 g | ±0.02 g | 6.5 × 6.5 in (165 × 165 mm) | 8.3 × 12.5 × 3.7 in (212 × 317 × 93 mm) | 191713 | \$1,600.00 |
| GF-2002A | 2,200 g | 0.01 g | 0.01 g | ±0.02 g | 6.5 × 6.5 in (165 × 165 mm) | 8.3 × 12.5 × 3.7 in (212 × 317 × 93 mm) | 191714 | \$1,640.00 |
| GF-3002A | 3,200 g | 0.01 g | 0.01 g | ±0.02 g | 6.5 × 6.5 in (165 × 165 mm) | 8.3 × 12.5 × 3.7 in (212 × 317 × 93 mm) | 191715 | \$1,700.00 |
| GF-4002A | 4,200 g | 0.01 g | 0.01 g | ±0.02 g | 6.5 × 6.5 in (165 × 165 mm) | 8.3 × 12.5 × 3.7 in (212 × 317 × 93 mm) | 191716 | \$2,180.00 |
| GF-6002A | 6,200 g | 0.01 g | 0.01 g | ±0.03 g | 5 × 5 in (128 × 128 mm) | 8.3 × 12.5 × 3.7 in (212 × 317 × 93 mm) | 191717 | \$2,675.00 |
| GF-6001A | 6,200 g | 0.1 g | 0.1 g | ±0.1 g | 6.5 × 6.5 in (165 × 165 mm) | 8.3 × 12.5 × 3.7 in (212 × 317 × 93 mm) | 192486 | \$1,810.00 |
| GF-10001A | 10,200 g | 0.1 g | 0.1 g | ±0.1 g | 6.5 × 6.5 in (165 × 165 mm) | 8.3 × 12.5 × 3.7 in (212 × 317 × 93 mm) | 192487 | \$1,890.00 |
| GF-10002A | 10,200 g | 0.01 g | 0.1 g | ±0.03 g | 6.5 × 6.5 in (165 × 165 mm) | 8.3 × 12.5 × 3.7 in (212 × 317 × 93 mm) | 191718 | \$3,275.00 |

Options/Accessories

| Part # | A&D Model # | Description | Price |
|--------|--------------|--|------------|
| 192662 | GXA-03 | RS-232C interface (D-sub 9-pin male) | \$275.00 |
| 192663 | GXA-04 | Comparator output (requires 192667) | \$260.00 |
| 192667 | AX-K05692 | MiniDIN 8-pin male for GXA-04 | \$45.00 |
| 192671 | GXA-06 | Analog output (includes 192673) | \$260.00 |
| 192674 | GXA-09 | Internal rechargeable battery (must be factory installed) | \$545.00 |
| 192675 | GXA-10 | Large glass breeze break | \$385.00 |
| 192676 | GXA-12 | Animal weighing pan (for models of 320 g capacity or higher) | \$175.00 |
| 192677 | GXA-13 | Density determination kit (for 1 mg models only) | \$595.00 |
| 192678 | GXA-17 | Large breeze break with built-in fanless ionizer (static eliminator) | \$1,670.00 |
| 192679 | GXA-23-PRINT | External key input interface for SW:137-PRINT foot switch | \$250.00 |
| 192680 | GXA-23-RZERO | External key input interface for SW:137-REZERo foot switch | \$245.00 |
| 192681 | GXA-23-PLUG | External key input interface for AX-T-314A-S plug | \$245.00 |
| 192682 | GXA-24 | USB host interface (USB A type) | \$130.00 |
| 192683 | GXA-25 | External fanless ionizer (static eliminator) | \$960.00 |
| 192684 | GXA-26 | External IR switch (MiniDIN 4-pin male) | \$205.00 |



Apollo GF-3002A

**BALANCES
A&D WEIGHING**

FX-iWP Series Washdown

Standard Features

- Washdown IP65 rating
- Compact Super Hybrid Sensor Technology (SHS)
- Vacuum Fluorescent Display (VFD)
- GLP/GMP/ISO compliant to either AD-8121 printer or computer. Transmits date, time, ID number, serial number and calibration data.
- RS-232 interface for connecting to printer or PC
- Response indicator function
- Under weigh hook

Specifications

Weighing Units:

Pound, carat, pennyweight, troy ounce, grain, pound/ounce

Operating Modes:

Weigh, count, percent, animal weighing, statistical, hold and comparator

Power:

120/240 VAC adapter, approx. 11 VA

Stabilization Time:

Approx. 1 second

Display Refresh Rate:

5 times/second, 10 times/second or 20 times/second

Calibration Weight:

FX-120iWP: 100 g
 FX-200iWP: 200 g
 FX-300iWP: 300 g

Temperature:

Operating:
 41 °F to 104 °F (5 °C to 40 °C)

Humidity:

85% RH or less
 (no condensation)

Est. Weight:

8 lb (3.5 kg)

Warranty:

Five-year limited

Return Policy:

A&D Weighing standard policy - restock fee may apply

| Model | Capacity | Readability | Repeatability | Linearity | Pan Size | Dimensions | Part # | List Price |
|------------|----------|-------------|---------------|-----------|--------------------|---------------------------------------|--------|------------|
| FX-1200iWP | 1,220 g | 0.01 g | 0.01 g | ±0.02 g | Ø 5.90 in (150 mm) | 6 × 10.3 × 3.3 in (193 × 263 × 85 mm) | 102908 | \$1,650.00 |
| FX-2000iWP | 2,200 g | 0.01 g | 0.01 g | ±0.02 g | Ø 5.90 in (150 mm) | 6 × 10.3 × 3.3 in (193 × 263 × 85 mm) | 102909 | \$1,740.00 |
| FX-3000iWP | 3,200 g | 0.01 g | 0.01 g | ±0.02 g | Ø 5.90 in (150 mm) | 6 × 10.3 × 3.3 in (193 × 263 × 85 mm) | 102910 | \$1,850.00 |

Options/Accessories

| Part# | A&D Model # | Description | Price |
|--------|-------------|--|----------|
| 98027* | FXi-02 | Quick USB interface | \$105.00 |
| 98028* | FXi-08 | Ethernet interface with WinCT© Plus software | \$350.00 |
| 98029* | FXi-09 | Built-in rechargeable battery | \$390.00 |
| 98030 | FXi-10 | Small breeze break | \$95.00 |
| 98031 | FXi-11 | Large breeze break | \$160.00 |
| 97649 | TB:648 | AC adapter (120 V/220 V) | \$53.00 |

*Options FXi-02/FXi-08 and FXi-09 cannot be combined and are factory installed only.

BALANCES
A&D WEIGHING



EJ Newton Series

Standard Features

- Easy-to-read seven segment LCD display with backlight
- 10 units of measurement



EJ-200



EJ-2000

Specifications

Weighing Units:

Carat, pennyweight, troy ounce, decimal ounce, decimal pound (see technical manual for complete listing)

Operating Modes:

Specific gravity, counting, percentage, checkweighing

Power:

Adapter:
120 VAC included (230 VAC optional)
Battery:
70 hours operation (four AA not included)

Stabilization Time:

< 2 seconds

Display Type:

Seven segment LCD with backlight (character height 16 mm)

Calibration Weight:

EJ-123, EJ-120: 100 g
EJ-200: 200 g
EJ-300: 300 g
EJ-410: 400 g
EJ-610: 600 g
EJ-1500: 1,500 g
EJ-2000: 2,000 g
EJ-3000: 3,000 g
EJ-4100: 4,000 g
EJ-6100: 6,000 g

Temperature:

Operating:
14 °F to 104 °F (-10 °C to 40 °C)

Humidity:

Less than 85% RH (no condensation)

Est. Weight:

EJ-123, EJ-120, EJ-200, EJ-300, EJ-410, EJ-610: 850 g
EJ-1500, EJ-2000, EJ-3000, EJ-4100, EJ-6100: 1,100 g

Warranty:

Five-year limited

Return Policy:

A&D Weighing standard policy - restock fee may apply

| Model | Capacity | Readability | Repeatability | Linearity | Pan Size | Dimensions | Part # | List Price |
|---------|----------|-------------|---------------|-----------|---------------------------|--|--------|------------|
| EJ-123 | 120 g | 0.001 g | 0.003 g | 0.003 g | Ø 4.3 in (110 mm) | 7.5 × 8.6 × 2.2 in (190 × 218 × 55 mm) | 163274 | \$590.00 |
| EJ-120 | 120 g | 0.01 g | 0.01 g | ±0.01 g | Ø 4.3 in (110 mm) | 7.5 × 8.6 × 2.2 in (190 × 218 × 55 mm) | 112410 | \$310.00 |
| EJ-200 | 210 g | 0.01 g | 0.01 g | ±0.01 g | Ø 4.3 in (110 mm) | 7.5 × 8.6 × 2.2 in (190 × 218 × 55 mm) | 112411 | \$390.00 |
| EJ-300 | 310 g | 0.01 g | 0.01 g | ±0.02 g | Ø 4.3 in (110 mm) | 7.5 × 8.6 × 2.2 in (190 × 218 × 55 mm) | 112412 | \$460.00 |
| EJ-410 | 410 g | 0.01 g | 0.01 g | ±0.02 g | Ø 4.3 in (110 mm) | 7.5 × 8.6 × 2.2 in (190 × 218 × 55 mm) | 112413 | \$500.00 |
| EJ-610 | 610 g | 0.01 g | 0.01 g | ±0.02 g | Ø 4.3 in (110 mm) | 7.5 × 8.6 × 2.2 in (190 × 218 × 55 mm) | 112414 | \$650.00 |
| EJ-1500 | 1,500 g | 0.1 g | 0.1 g | ±0.1 g | 5 × 5.5 in (127 × 140 mm) | 7.5 × 8.6 × 2.2 in (190 × 218 × 55 mm) | 112415 | \$310.00 |
| EJ-2000 | 2,100 g | 0.1 g | 0.1 g | ±0.1 g | 5 × 5.5 in (127 × 140 mm) | 7.5 × 8.6 × 2.2 in (190 × 218 × 55 mm) | 112416 | \$380.00 |
| EJ-3000 | 3,100 g | 0.1 g | 0.1 g | ±0.2 g | 5 × 5.5 in (127 × 140 mm) | 7.5 × 8.6 × 2.2 in (190 × 218 × 55 mm) | 112417 | \$465.00 |
| EJ-4100 | 4,100 g | 0.1 g | 0.1 g | ±0.2 g | 5 × 5.5 in (127 × 140 mm) | 7.5 × 8.6 × 2.2 in (190 × 218 × 55 mm) | 112418 | \$520.00 |
| EJ-6100 | 6,100 g | 0.1 g | 0.1 g | ±0.2 g | 5 × 5.5 in (127 × 140 mm) | 7.5 × 8.6 × 2.2 in (190 × 218 × 55 mm) | 112419 | \$595.00 |

BALANCES
A&D WEIGHING

Options/Accessories

| Part# | A&D Model# | Description | Price |
|--------|------------|--|----------|
| 112426 | EJ-02 | USB interface with cable | \$105.00 |
| 112427 | EJ-03 | RS-232 interface with cable | \$95.00 |
| 112428 | EJ-07 | Underhook for EJ-3000, EJ-4100 and EJ-6100 | \$84.00 |
| 112429 | EJ-08 | Underhook for EJ-1500 and EJ-2000 | \$84.00 |
| 112430 | EJ-11 | Breeze break | \$84.00 |
| 112431 | EJ-12 | Carrying case | \$79.00 |
| 112432 | EJ-13 | Density determination kit | \$95.00 |
| 97766 | TB:662 | AC adapter, 120 V | \$47.50 |
| 97767 | TB:164 | AC adapter, 220 V | \$69.00 |
| 151247 | AD-1688 | Data logger | \$370.00 |

EK-i Series

Standard Features

- Backlit weight display
- Remote zeroing
- Easy-to-install NiCad battery option
- RS-232 interface for connecting to printer or PC

Specifications

Weighing Units:

Carat, pennyweight, troy ounce, newton, decimal ounce, decimal pound

Operating Modes:

Counting, percentage

Power:

120 VAC adapter (optional Ni-MH battery pack)

Stabilization Time:

< 2 seconds

Display Type:

Seven segment LCD with backlight
(character height 16 mm)

Calibration Weight:

EK-120i: 120 g
 EK-200i: 200 g
 EK-300i: 300 g
 EK-410i: 400 g
 EK-610i: 400 g
 EK-2000i: 2,000 g
 EK-3000i: 3,000 g
 EK-4100i: 4,000 g
 EK-6100i: 6,000 g

Temperature:

Operating:
 14 °F to 104 °F (-10 °C to 40 °C)

Humidity:

Less than 85% RH (non-condensing)

Est. Weight:

3.5 lb (1.5 kg)

Warranty:

Five-year limited

Return Policy:

A&D Weighing standard policy -
 restock fee may apply

| Model | Capacity | Readability | Repeatability | Linearity | Pan Size | Dimensions | Part # | List Price |
|----------|----------|-------------|---------------|-----------|--------------------------------|---|--------|------------|
| EK-120i | 120 g | 0.01 g | 0.01 g | ±0.01 g | Ø 4.3 in (110 mm) | 7.5 × 8.6 × 2.2 in (190 × 218 × 55 mm) | 97747 | \$595.00 |
| EK-200i | 200 g | 0.01 g | 0.01 g | ±0.01 g | Ø 4.3 in (110 mm) | 7.5 × 8.6 × 2.2 in (190 × 218 × 55 mm) | 97748 | \$640.00 |
| EK-300i | 300 g | 0.01 g | 0.01 g | ±0.02 g | Ø 4.3 in (110 mm) | 7.5 × 8.6 × 2.2 in (190 × 218 × 55 mm) | 97749 | \$665.00 |
| EK-410i | 400 g | 0.01 g | 0.01 g | ±0.02 g | Ø 4.3 in (110 mm) | 7.5 × 8.6 × 2.2 in (190 × 218 × 55 mm) | 97750 | \$750.00 |
| EK-610i | 600 g | 0.01 g | 0.01 g | ±0.02 g | Ø 4.3 in (110 mm) | 7.5 × 8.6 × 2.2 in (190 × 218 × 55 mm) | 97751 | \$880.00 |
| EK-2000i | 2,000 g | 0.1 g | 0.1 g | ±0.1 g | 5.2 × 6.7 in (133 × 170 mm) | 7.5 × 8.6 × 2.2 in (190 × 218 × 55 mm) | 97754 | \$645.00 |
| EK-3000i | 3,000 g | 0.1 g | 0.1 g | ±0.2 g | 5.2 × 6.7 in (133 × 170 mm) | 7.5 × 8.6 × 2.2 in (190 × 218 × 55 mm) | 97755 | \$700.00 |
| EK-4100i | 4,000 g | 0.1 g | 0.1 g | ±0.2 g | 5.2 × 6.7 in (133 × 170 mm) | 7.5 × 8.6 × 2.2 in (190 × 218 × 55 mm) | 97756 | \$835.00 |
| EK-6100i | 6,000 g | 0.1 g | 0.1 g | ±0.2 g | 5.2 × 6.7 in (133 × 170 mm) | 7.5 × 8.6 × 2.2 in (190 × 218 × 55 mm) | 97757 | \$1,040.00 |

BALANCES
A&D WEIGHING

Options/Accessories

| Part # | A&D Model # | Description | Price |
|--------|---------------|---|----------|
| 97760 | EKW-04i | Comparator/relay outputs/buzzer | \$200.00 |
| 97761 | EKW-07i | Underhook for EK-4100i/6100i/6000i/12Ki/EW-12Ki | \$63.00 |
| 97762 | EKW-09i | NiCad battery pack | \$255.00 |
| 97764 | AX:3005824-5S | Protective dust cover (not in use) | \$15.75 |
| 97605 | AD-100-2 | Anti-theft device | \$90.00 |
| 97766 | TB:662 | AC adapter (120 V) | \$47.50 |
| 97767 | TB:164 | AC adapter (240 V) | \$69.00 |
| 151247 | AD-1688 | Data logger | \$370.00 |



EW-i Series

Standard Features

- Backlit weight display
- Remote zeroing
- Easy-to-install NiCad battery option
- RS-232 interface for connecting to printer or PC
- Triple range

Specifications

Weighing Units:

Carat, pennyweight, troy ounce, decimal ounce, decimal pound

Operating Modes:

Counting, percentage, comparator

Power:

AC adapter or Ni-MH battery pack (option)

Stabilization Time:

< 2 seconds

Calibration Weight:

150 g

Temperature:

Operating:
14 °F to 104 °F (-10 °C to 40 °C)

Humidity:

Less than 85% RH
(no condensation)

Est. Weight:

3.5 lb (1.5 kg)

Warranty:

Five-year limited

Return Policy:

A&D Weighing standard policy -
restock fee may apply

| Model | Capacity | Readability | Repeatability | Linearity | Pan Size | Dimensions | Part # | List Price |
|---------|------------------------|----------------------------|-----------------------------|--------------------------------|----------------------|---|--------|------------|
| EW-150i | 30 g / 60 g / 150 g | 0.01 g / 0.02 g / 0.1 g | 0.01 g / 0.02 g / 0.05 g | ±0.01 g / ±0.02 g / ±0.05 g | Ø 4.3 in (110 mm) | 7.5 × 8.6 × 2.2 in (190 × 218 × 55 mm) | 97768 | \$500.00 |

Options/Accessories

| Part # | A&D Model # | Description | Price |
|--------|---------------|---|----------|
| 97760 | EKW-04i | Comparator/relay outputs/buzzer | \$200.00 |
| 97761 | EKW-07i | Underhook for EK-4100i/6100i/6000i/12Ki/EW-12Ki | \$63.00 |
| 97762 | EKW-09i | NiCad battery pack | \$255.00 |
| 97764 | AX:3005824-5S | Protective dust cover (not in use) | \$15.75 |
| 97605 | AD-100-2 | Anti-theft device | \$90.00 |
| 97766 | TB:662 | AC adapter (120 V) | \$47.50 |
| 97767 | TB:164 | AC adapter (240 V) | \$69.00 |
| 151247 | AD-1688 | Data logger | \$370.00 |



HIGH CAPACITY GX-M Series

Standard Features

- Internal adjustment weight
- Auto environmental compensation
- IP65/NEMA Type 4
- RS-232 interface for connecting to printer or PC
- Data memory function
- Quick reference operation card
- Time and date
- Vacuum Fluorescent Display (VFD)
- Under weigh hook

Specifications

Weighing Units:

Pound, carat, pennyweight, troy ounce, grain, decimal ounce, pound/ounce

Operating Modes:

Counting, percentage

Power:

120/240 VAC adapter

Stabilization Time:

Approx. 1.5 seconds

Calibration Weight:

GX-8202M/MD: 2 kg to 8 kg
 GX-10202M: 2 kg to 10 kg
 GX-12001M: 5 kg, 10 kg
 GX-22001M: 5 kg, 10 kg, 20 kg
 GX-32001M/MD: 5 kg, 10 kg, 20 kg, 30 kg

Temperature:

Operating:
 41 °F to 104 °F (-5 °C to 40 °C)

Est. Weight:

18.3 lb (8.3 kg)

Warranty:

Five-year limited

Return Policy:

A&D Weighing standard policy - restock fee may apply

| Model | Capacity | Readability | Repeatability | Linearity | Pan Size | Dimensions | Part # | List Price |
|-------------------|------------------|----------------|-----------------|------------------|-----------------------------------|---|---------------|------------|
| GX-8202M | 8.2 kg | 0.01 g | 0.01 g | ±0.03 g | 10.62 × 8.26 in (270 × 210 mm) | 11.81 × 13.98 × 4.37 in (300 × 355 × 111 mm) | 207408 | \$4,150.00 |
| GX-8202MD | 2.2 kg / 8.2 kg | 0.01 g / 0.1 g | 0.01 g / 0.05 g | ±0.02 g / ±0.1 g | 10.62 × 8.26 in (270 × 210 mm) | 11.81 × 13.98 × 4.37 in (300 × 355 × 111 mm) | 207409 | \$3,625.00 |
| GX-10202M | 10.2 kg | 0.01 g | 0.01 g | ±0.03 g | 10.62 × 8.26 in (270 × 210 mm) | 11.81 × 13.98 × 4.37 in (300 × 355 × 111 mm) | 207410 | \$4,450.00 |
| GX-12001M | 12.2 kg | 0.1 g | 0.1 g | ±0.2 g | 10.62 × 8.26 in (270 × 210 mm) | 11.81 × 13.98 × 4.37 in (300 × 355 × 111 mm) | 207411 | \$3,775.00 |
| GX-22001M | 22.2 kg | 0.1 g | 0.1 g | ±0.2 g | 10.62 × 8.26 in (270 × 210 mm) | 11.81 × 13.98 × 4.37 in (300 × 355 × 111 mm) | 207412 | \$4,075.00 |
| GX-32001M | 32.2 kg | 0.1 g | 0.1 g | ±0.2 g | 10.62 × 8.26 in (270 × 210 mm) | 11.81 × 13.98 × 4.37 in (300 × 355 × 111 mm) | 207413 | \$4,700.00 |
| GX-32001MD | 6.2 kg / 32.2 kg | 0.1 g/1 g | 0.1 g / 0.5 g | ±0.2 g / ±1 g | 10.62 × 8.26 in (270 × 210 mm) | 11.81 × 13.98 × 4.37 in (300 × 355 × 111 mm) | 207414 | \$3,650.00 |

Options/Accessories

| Part # | A&D Model # | Description | Price |
|---------------|---------------|--|------------|
| 207431 | GX-04K* | Comparator/output and RS-232C/20 mA interface | \$515.00 |
| 207432 | GX-06K* | Analog output/20 mA interface | \$605.00 |
| 97784 | GX-07K** | Waterproof cable for standard RS-232C | \$370.00 |
| 102899 | GXK-12 | Animal weighing pan | \$995.00 |
| 102898 | GXK-31 | Draft shield | \$140.00 |
| 97605 | AD-100-2 | Anti-theft device | \$90.00 |
| 97785 | AX:073007197A | Protective in-use cover | \$26.50 |
| 97649 | TB:648 | AC adapter (120 V/220 V) | \$53.00 |
| 151247 | AD-1688 | Data logger | \$370.00 |
| 196128 | AD-8127 | Impact dot matrix, statistical printer, includes cable | \$1,030.00 |

*GX-04K, GX-06K, replace standard RS-232C and cannot be used at the same time.

IP65 rating does not apply when the GX-04K or the GX-06K is installed.

**Use the GX-07K optional waterproof RS-232C cable, in order to use the standard RS-232 interface for water and dust proof (IP65).



BALANCES
A&D WEIGHING

HIGH CAPACITY

GF-M Series

Standard Features

- IP65/NEMA Type 4
- RS-232 interface for connecting to printer or PC
- Quick reference operation card
- Time and date
- Vacuum fluorescent display (VFD)
- Interval time setting
- Under weigh hook

Specifications

Weighing Units:

Pound, carat, pennyweight, troy ounce, grain, decimal ounce, pound/ounce operating modes, counting, percentage

Power:

120/240 VAC adapter

Stabilization Time:

Approx. 1.5 seconds (typical in FAST mode)

Display Refresh Rate:

5 times/second or
10 times/second

Calibration Weight:

GF-8202M/MD: 2 to 8 kg
GF-10202M: 2 to 10 kg
GF-12001M: 5 kg, 10 kg
GF-22001M: 5 kg, 10 kg, 20 kg
GF-32001M/MD: 5 kg, 10 kg, 20 kg, 30 kg

Temperature:

Operating:
41 °F to 104 °F (5 °C to 40 °C)

Humidity:

RH less than 85%
(no condensation)

Est. Weight:

18.3 lb (8.3 kg)

Warranty:

Five-year limited

Return Policy:

A&D Weighing standard policy - restock fee may apply

| Model | Capacity | Readability | Repeatability | Linearity | Pan Size | Dimensions | Part # | List Price |
|------------|---------------|--------------|---------------|----------------|-----------------------------------|---|--------|------------|
| GF-8202M | 8.2 kg | 0.01 g | 0.01 g | ±0.03 g | 10.62 × 8.26 in (270 × 210 mm) | 11.81 × 13.98 × 4.37 in (300 × 355 × 111 mm) | 207415 | \$3,950.00 |
| GF-8202MD | 2.2 kg/8.2 kg | 0.01 g/0.1 g | 0.01 g/0.05 g | ±0.02 g/±0.1 g | 10.62 × 8.26 in (270 × 210 mm) | 11.81 × 13.98 × 4.37 in (300 × 355 × 111 mm) | 207416 | \$3,350.00 |
| GF-10202M | 10.2 kg | 0.01 g | 0.01 g | ±0.03 g | 10.62 × 8.26 in (270 × 210 mm) | 11.81 × 13.98 × 4.37 in (300 × 355 × 111 mm) | 207417 | \$4,250.00 |
| GF-12001M | 12.2 kg | 0.1 g | 0.1 g | ±0.2 g | 10.62 × 8.26 in (270 × 210 mm) | 11.81 × 13.98 × 4.37 in (300 × 355 × 111 mm) | 207418 | \$3,575.00 |
| GF-22001M | 22.2 kg | 0.1 g | ±0.2 g | 0.1 g | 10.62 × 8.26 in (270 × 210 mm) | 11.81 × 13.98 × 4.37 in (300 × 355 × 111 mm) | 207419 | \$3,800.00 |
| GF-32001M | 32.2 kg | 0.1 g | ±0.2 g | 0.1 g | 10.62 × 8.26 in (270 × 210 mm) | 11.81 × 13.98 × 4.37 in (300 × 355 × 111 mm) | 207420 | \$4,450.00 |
| GF-32001MD | 6.2/32.2 kg | 0.1/1 g | ±0.5 g/0.1 g | 0.2 g/1 g | 10.62 × 8.26 in (270 × 210 mm) | 11.81 × 13.98 × 4.37 in (300 × 355 × 111 mm) | 207422 | \$3,350.00 |

Options/Accessories

| Part # | A&D Model # | Description | Price |
|--------|---------------|--|------------|
| 207431 | GX-04K* | Comparator/output and RS-232C/20 mA interface | \$515.00 |
| 207432 | GX-06K* | Analog output/20 mA interface | \$605.00 |
| 97784 | GX-07K** | Waterproof cable for standard RS-232C | \$370.00 |
| 102899 | GXK-12 | Animal weighing pan | \$995.00 |
| 102898 | GXK-31 | Draft shield | \$140.00 |
| 97605 | AD-100-2 | Anti-theft device | \$90.00 |
| 97785 | AX:073007197A | Protective in-use cover | \$26.50 |
| 97649 | TB:648 | AC adapter (120 V/220 V) | \$53.00 |
| 151247 | AD-1688 | Data logger | \$370.00 |
| 196128 | AD-8127 | Impact dot matrix, statistical printer, includes cable | \$1,030.00 |

*GX-04K, GX-06K, replace standard RS-232C and cannot be used at the same time.

IP65 rating does not apply when the GX-04K or the GX-06K is installed.

**Use the GX-07K optional waterproof RS-232C cable, in order to use the standard RS-232 interface for water and dust proof (IP65).



BALANCES
A&D WEIGHING

HIGH CAPACITY GP Series

Standard Features

- IP65/NEMA Type 4
- Internal adjustment weight with manual, interval or auto-environmental compensation
- RS-232 interface for connecting to printer or PC
- Data-collection software
- Auto re-zero function
- Time and date
- Bright blue fluorescent display
- Adjustable swing arm display
- Die-cast aluminum body with stainless weighing pan
- Detached digital weight indicator (KS models only)

Specifications

Weighing Units:

Carat, pennyweight, troy ounce, grain, decimal ounce, decimal pound, pound/ounce

Operating Modes:

Counting, percentage

Power:

Approx. 30 VA (supplied to the AC adapter)

Stabilization Time:

Approx. 1.5 seconds (typical in FAST mode)

Height with Column:

652 mm

Calibration Weight:

GP-12K: 5 kg/10 kg
 GP-20K: 10 kg/20 kg
 GP-30K, GP-30KS, GP-32KS: 20 kg/30 kg
 GP-40K: 20/30/40 kg
 GP-60K, GP-60KS: 30/40/50/60 kg
 GP-61K, GP-61KS: 20/30/40/50/60 kg
 GP-100K, GP-100KS, GP-102K: 60/80/100 kg

Temperature:

Operating:
 41 °F to 104 °F (5 °C to 40 °C)

Humidity:

RH less than 85%
 (no condensation)

Est. Weight:

Approx. 39.7 lb (18 kg)

Warranty:

Five-year limited

Return Policy:

A&D Weighing standard policy - restock fee may apply

| Model | Capacity | Readability | Repeatability | Linearity | Pan Size | Dimensions | Part # | List Price |
|----------|----------------|-------------|---------------|------------|------------------------------|--|--------|------------|
| GP-12K | 12 kg | 0.1 g | 0.1 g | ±0.2 g | 15 × 13 in (384 × 344 mm) | 14.6 × 24.2 × 5.1 in (372 × 615 × 130 mm) | 97802 | \$4,025.00 |
| GP-20K | 21 kg | 0.1 g | 0.1 g | ±0.2 g | 15 × 13 in (384 × 344 mm) | 14.6 × 24.2 × 5.1 in (372 × 615 × 130 mm) | 97803 | \$4,425.00 |
| GP-30K | 31 kg | 0.1 g | 0.1 g | ±0.2 g | 15 × 13 in (384 × 344 mm) | 13.5 × 17.4 × 5.5 in (344 × 442 × 139 mm) | 97805 | \$5,250.00 |
| GP-30KS | 31 kg | 0.1 g | - | - | 15 × 13 in (384 × 344 mm) | 13.5 × 17.4 × 5.5 in (344 × 442 × 139 mm) | 97810 | \$5,625.00 |
| GP-32K | 31 kg / 6 kg | 1 / 0.1 g | 0.5 g / 0.1 g | ±1 / ±2 g | 15 × 13 in (384 × 344 mm) | 14.6 × 24.2 × 5.1 in (372 × 615 × 130 mm) | 97804 | \$3,675.00 |
| GP-32KS | 31 kg / 6 kg | 1 / 0.1 g | - | - | 15 × 13 in (384 × 344 mm) | 14.6 × 24.2 × 5.1 in (372 × 615 × 130 mm) | 102901 | \$4,075.00 |
| GP-40K | 41 kg | 0.5 g | 0.5 g | ±1 g | 15 × 13 in (384 × 344 mm) | 14.6 × 24.2 × 5.1 in (372 × 615 × 130 mm) | 97806 | \$4,875.00 |
| GP-60K | 61 kg | 1 g | 0.7 g | ±1 g | 15 × 13 in (384 × 344 mm) | 14.6 × 24.2 × 5.1 in (372 × 615 × 130 mm) | 97807 | \$6,000.00 |
| GP-60KS | 61 kg | 1 g | - | - | 15 × 13 in (384 × 344 mm) | 14.6 × 24.2 × 5.1 in (372 × 615 × 130 mm) | 102902 | \$6,275.00 |
| GP-61K | 61 kg | 0.1 g | 0.2 g | ±0.5 g | 15 × 13 in (384 × 344 mm) | 14.6 × 24.2 × 5.1 in (372 × 615 × 130 mm) | 102900 | \$6,875.00 |
| GP-61KS | 61 kg | 0.1 g | - | - | 15 × 13 in (384 × 344 mm) | 14.6 × 24.2 × 5.1 in (372 × 615 × 130 mm) | 102903 | \$6,700.00 |
| GP-100K | 100 kg | 1 g | 1 g | ±2 g | 15 × 13 in (384 × 344 mm) | 14.6 × 24.2 × 5.1 in (372 × 615 × 130 mm) | 97808 | \$6,325.00 |
| GP-100KS | 101 kg | 1 g | - | - | 15 × 13 in (384 × 344 mm) | 14.6 × 24.2 × 5.1 in (372 × 615 × 130 mm) | 97811 | \$6,800.00 |
| GP-102K | 101 kg / 61 kg | 10 / 1 g | 5 / 1 g | ±10 / ±2 g | 15 × 13 in (384 × 344 mm) | 14.6 × 24.2 × 5.1 in (372 × 615 × 130 mm) | 97809 | \$5,750.00 |

BALANCES
A&D WEIGHING

HIGH CAPACITY
GP Series

Options/Accessories

| Part# | A&D Model# | Description | Price |
|--------|------------|--|------------|
| 97607 | AD-1682 | Rechargeable battery pack | \$815.00 |
| 97608 | AD-8920 | Universal remote display | \$325.00 |
| 97813 | GP-04 | Comparator output with buzzer | \$335.00 |
| 97814 | GP-06 | Analog output (replaces standard RS-232C) | \$995.00 |
| 97815 | GP-07 | GP extension cable (factory installed 120 day lead time) | \$370.00 |
| 97816 | GP-20 | Underhook GP-12 kg thru 40 kg | \$225.00 |
| 97817 | GP-21 | Underhook GP-60 kg thru 102 kg | \$225.00 |
| 97605 | AD-100-2 | Anti-theft device | \$90.00 |
| 97820 | 07:3004753 | Protective in-use cover | \$31.50 |
| 97613 | TB:136 | AC adapter (120 V) standard with unit | \$47.50 |
| 97614 | TB:137 | AC adapter (220 V) | \$69.00 |
| 97609 | AD-8922 | Remote controller | \$765.00 |
| 102904 | GP-12 | Animal weighing pan | \$1,970.00 |
| 151247 | AD-1688 | Data logger | \$370.00 |
| 97612 | SW:128 | Foot switch | \$100.00 |
| 196128 | AD-8127 | Impact dot matrix, statistical printer, includes cable | \$1,030.00 |



**BALANCES
 A&D WEIGHING**

EK-AEP Series

Standard Features

- LCD display
- ATEX and FM approved (Class I, Division 1, groups C and D)
- Optical data output
- 200 hours of battery operation*
- Auto power off
- Counting/Percentage/Specific Gravity modes
- Optical data output

Specifications

Weighing Units:

Carat, pennyweight, troy ounce, newton, decimal ounce, decimal pound

Operating Modes:

Counting, percentage, specific gravity

Power:

Four AA batteries*

Stabilization Time:

< 2 seconds

Calibration Weight:

EK-300AEP: 300 g
 EK-3000AEP: 3,000 g
 EK-12KAEP: 10 kg

**(Battery life determined with backlight off with four AA batteries. The EK-AEP must be used with the following to maintain FM integrity: Duracell AA alkaline MN 1500 LR6, Energizer AA E91 alkaline LR6 AM3, Panasonic AA alkaline LR6 (XJ). Do not mix type or new/used batteries.)*

Temperature:

Operating:
 32 °F to 104 °F (0 °C to 40 °C)

Est. Weight:

3.5 lb (1.5 kg)

Warranty:

Two-year limited

Return Policy:

A&D Weighing standard policy - restock fee may apply

Approvals:

cFMus
 ATEX



| Model | Capacity | Readability | Repeatability | Linearity | Pan Size | Dimensions | Part # | List Price |
|------------|----------|-------------|---------------|-----------|--|---|--------|------------|
| EK-300AEP | 300 g | 0.01 g | 0.01 g | ±0.02 g | Ø4.33 in (110 mm) | 7.5 × 8.6 × 2.2 in (190 × 218 × 55 mm) | 199565 | \$1,880.00 |
| EK-3000AEP | 3,000 g | 0.1 g | 0.1 g | ±0.2 g | 5.24 in × 6.69 in (133 mm × 170 mm) | 7.5 × 8.6 × 2.2 in (190 × 218 × 55 mm) | 199566 | \$1,990.00 |
| EK-12KAEP | 12,000 g | 1 g | 1 g | ±1 g | 5.24 in × 6.69 in (133 mm × 170 mm) | 7.5 × 8.6 × 2.2 in (190 × 218 × 55 mm) | 199567 | \$2,220.00 |

Options/Accessories

| Part # | A&D Model # | Description | Price |
|--------|---------------|---|----------|
| 177696 | EJ-12 | Carrying case | \$79.00 |
| 202077 | AD-1611 | Safe area serial output module (requires a fiber-optic cable) | \$525.00 |
| 202074 | AX-KS5456-010 | Fiber-optic cable (10 m) | \$360.00 |
| 202075 | AX-KS5456-030 | Fiber-optic cable (30 m) | \$640.00 |
| 202076 | AX-KS5456-060 | Fiber-optic cable (60 m) | \$940.00 |

BALANCES
A&D WEIGHING



EK-300AEP



EK-3000AEP

MS-70/MX-50/MF-50/ML-50

Standard Features

- Fast and uniform heating with halogen lamp and uniquely designed (secondary radiation assist) SRA filter
- WinCT[©] communication tools software
- Sodium tartrate dihydrate is provided as a stable moisture content for accuracy checks of the analyzer
- Vacuum fluorescent display (VFD)
- Glass window for heating check and easy cleaning
- Self-check function
- Quick reference card
- RS-232 interface for connecting to printer or PC
- GLP/GMP/GCP/ISO compliant with time and date, ID, calibration data and check record outputs

Specifications

Operating Modes:

Wet base, dry base, solid content, ratio

Measurement Programs:

Standard, automatic, timer, manual

Power:

120 VAC

Drying Temperature:

MS-70: 30 °C to 200 °C
 MX-50, MF-50, ML-50:
 50 °C to 200 °C (1° increment)

Measurement Program Memories:

MS-70, MX50: 20 sets
 MF-50: 10 sets
 ML-50: 5 sets

Data Memory:

MS-70, MX-50: 100
 MF-50: 50
 ML-50: 30

Moisture Content Display:

MS-70: 0.001%/0.01%/ 0.1%
 MX-50: 0.01%/0.1%
 MF-50: 0.05%/0.1%/1%
 ML-50: 0.1%/1%

Moisture Content Accuracy

Over 1 g:

MS-70: 0.05%
 MX-50: 0.10%
 MF-50: 0.20%
 ML-50: 0.50%

Over 5 g:

MS-70: 0.01%
 MX-50: 0.02%
 MF-50: 0.05%
 ML-50: 0.10%

Temperature:

Operating:
 40 °F to 104 °F (5 °C to 40 °C)

Heating Technology:

Halogen lamp (straight type, 400 watt max, 5,000 hours)

Est. Weight:

13 lb (5.9 kg)

Warranty:

Five-year limited

Return Policy:

A&D Weighing standard policy - restock fee may apply

| Model | Capacity | Readability | Pan Size | Dimensions | Part # | List Price |
|-------|----------|-------------|-------------------|---|--------|------------|
| MS-70 | 71 g | 0.0001 g | Ø 2.16 in (85 mm) | 8.46 × 12.6 × 6.8 in (215 × 320 × 173 mm) | 97821 | \$6,675.00 |
| MX-50 | 51 g | 0.001 g | Ø 2.16 in (85 mm) | 8.46 × 12.6 × 6.8 in (215 × 320 × 173 mm) | 97822 | \$4,150.00 |
| MF-50 | 51 g | 0.002 g | Ø 2.16 in (85 mm) | 8.46 × 12.6 × 6.8 in (215 × 320 × 173 mm) | 97823 | \$3,350.00 |
| ML-50 | 51 g | 0.005 g | Ø 2.16 in (85 mm) | 8.46 × 12.6 × 6.8 in (215 × 320 × 173 mm) | 112408 | \$2,825.00 |

Options/Accessories

| Part # | A&D Model # | Description | Price |
|--------|-------------|--|------------|
| 97824 | AX-31 | Sample pans (washable, 100 each) | \$120.00 |
| 97825 | AX-32-2 | Glass fiber sheets (100 each) | \$63.00 |
| 97826 | AX-33 | Sodium tartrate dehydrate test samples (30 × 12 g) | \$100.00 |
| 97827 | AX-34 | Halogen lamp (replacement) | \$79.00 |
| 97828 | AX-35 | Pan handles (2 each) | \$31.50 |
| 97829 | AX-36 | Tweezers (2 each) | \$21.00 |
| 97830 | AX-37 | Spoons (2 each) | \$26.50 |
| 97831 | AX-38 | Protective in-use covers (5 each) | \$53.00 |
| 97832 | AX-39 | Dust cover | \$21.00 |
| 97833 | AX-42 | WinCT [©] Moisture (standard for MS-70 and MX-50, option for MF-50) | \$285.00 |
| 97834 | AD-1700-20G | Calibration mass (20 g) | \$130.00 |
| 97837 | AX-43 | Temperature calibrator (MS-70 and MX-50 only) | \$540.00 |
| 151247 | AD-1688 | Data logger | \$370.00 |
| 196128 | AD-8127 | Impact dot matrix, statistical printer, includes cable | \$1,030.00 |



BALANCES
A&D WEIGHING

AD-1683

Standard Features

- Requires no high-voltage wiring
- Eliminates static charges
- Little or no reverse charge is induced by irradiated ions
- Static elimination in narrow and remote places
- Suited for static elimination in narrow and remote places because of its lengthy ion irradiation distance
- Produces a small amount of ozone
- Current limiting circuit incorporated in the ion generating electrode
- No swing in surface potential of the charged object

Specifications

Power:
100 to 240 VAC, 50/60 Hz, 1.5 VAC

Elimination Range:
Distance: 10 to 30 cm from electrode
Area: 30 × 30 cm from electrode

Static Elimination Method:
DC corona discharge DUAL-DC

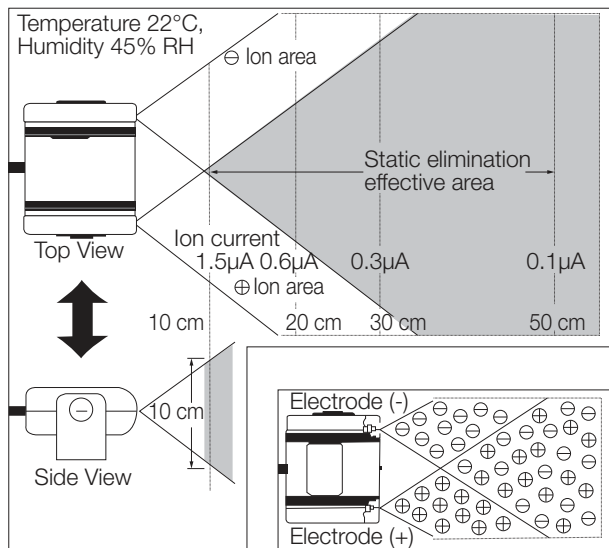
Static Eliminating Electrode:
Tungsten emitter

Est. Weight:
300 g

Warranty:
One-year limited

| Model | Elimination Range | Static Elimination Method | Static Eliminating Electrode | Environmental Conditions | Weight | Part # | List Price |
|---------|--|-----------------------------|------------------------------|---|--------|--------|------------|
| AD-1683 | Distance: 10 cm to 30 cm from the electrode area: 30 cm × 30 cm | DC corona discharge DUAL-DC | Tungsten emitter | -5 °C to 40 °C, 35% to 85% RH (no condensation) | 300 g | 97610 | \$1,440.00 |

(Below) Example of AD-1683 installation showing static elimination area and an example of ion generation.



Explorer® Series

Standard Features

- Intuitive SmarText™ software
- 4 programmable touchless sensors
- Weighing chamber
- Color touchscreen display
- Memory for up to 99 items
- Real-time clock for GLP/GMP data collection
- Audible stability alert
- Autocal automatic calibration
- EX225D/AD and EX225/AD
- Includes ionizer and auto doors

Specifications

Weighing Units:

Gram, kilogram, ounce, pound, carat, pennyweight, grain, newton (see technical manual for complete listing)

Operating Modes:

Weighing, percent weighing, parts counting, checkweighing, dynamic/animal weighing, filling, totalization, formulation, Differential weighing, density determination, peak hold, pipette adjustment, SQC

Power:

AC adapter input: 100 to 240 VAC 0.6 A 50/60 Hz

Stabilization Time:

0.1 mg = 0.3 seconds; 0.01 mg = 8 second

Min-Weight:

20.0 mg fine range (USP, u=0.10%, k=2)

Calibration:

AutoCal™ at 1.5 °C temperature change, 11 hours and external calibration

Temperature:

Operating:
14 °F to 86 °F (-10 °C to 30 °C)

Est. Weight:

25 lb (12.5 kg)

Warranty:

Two-year limited

Return Policy:

OHAUS standard policy - restock fee may apply

| Model | Capacity | Readability | Repeatability (20 g) std | Repeatability (100 g) std | Linearity | Pan Size | Dimensions | Part # | List Price |
|-----------|-------------|------------------|--------------------------|---------------------------|-----------|----------------|---|--------|-------------|
| EX125D | 52 g/120 g | 0.01 mg / 0.1 mg | ±0.015 mg | 0.1 mg | ±0.1 mg | 3.2 in (81 mm) | 9 × 15.4 × 13.8 in (230 × 393 × 350 mm) | 171347 | \$7,300.00 |
| EX125 | 120 g | 0.01 mg | ±0.015 mg | 0.02 mg | ±0.1 mg | 3.2 in (81 mm) | 9 × 15.4 × 13.8 in (230 × 393 × 350 mm) | 171348 | \$9,100.00 |
| EX225D | 120 g/220 g | 0.01 mg / 0.1 mg | ±0.015 mg | 0.02 mg / 0.1 mg | ±0.1 mg | 3.2 in (81 mm) | 9 × 15.4 × 13.8 in (230 × 393 × 350 mm) | 171349 | \$9,325.00 |
| EX225D/AD | 120 g/220 g | 0.01 mg / 0.1 mg | ±0.015 mg | 0.02 mg / 0.1 mg | ±0.1 mg | 3.2 in (81 mm) | 9 × 15.4 × 13.8 in (230 × 393 × 350 mm) | 171350 | \$9,625.00 |
| EX225/AD | 220 g | 0.01 mg | ±0.015 mg | 0.03 mg | ±0.1 mg | 3.2 in (81 mm) | 9 × 15.4 × 13.8 in (230 × 393 × 350 mm) | 171351 | \$11,825.00 |

Options/Accessories

| Part # | Model # | Description | Price |
|--------|----------|------------------------------|----------|
| 70406 | 80500525 | RS-232 Cable, PC 9-pin to EX | \$260.00 |
| 156234 | 46001724 | Multi-range AC adapter | \$67.00 |
| 156235 | 46001780 | International plug set | \$29.00 |



BALANCES
OHAUS

Pioneer® PX Series

Standard Features

- Easy-to-clean analytical draft shield
- Up-front level indicator
- Selectable environment settings
- Flexibility of available options
- Removable doors for easy cleaning and access
- Up-front level bubble for easy reference
- Selectable environmental settings
- Standard security bracket
- RS-232 interface for connecting to printer or PC
- Security menu lock
- Backlight display
- Underweigh hook

Specifications

Weighing Units:

Milligram, gram, carat, ounce, troy ounce, grain, pennyweight, momme, tael, tical, tola, baht, mesghal, newton, custom unit

Operating Modes:

Weighing, parts counting, percent, density determination, dynamic weighing

Power:

120 VAC adapter (220 to 240 VAC adapter by special order), 50/60 Hz

Stabilization Time :

Approx. 4 seconds

Calibration Weight:

PX84/E: 50/80
PX124/E: 50/100
PX224/E: 100/200

Temperature:

Operating:
50 °F to 86 °F (10 °C to 30 °C)

Est. Weight:

10 lb (4.5 kg)

Warranty:

Two-year limited

Return Policy:

OHAUS standard policy - restock fee may apply

| Model | Capacity | Readability | Repeatability | Linearity | Weighing Chamber | Pan Size | Dimensions | Part # | List Price |
|---------|----------|-------------|---------------|-----------|---|--------------------|--|--------|------------|
| PX84/E | 82 g | 0.1 mg | 0.1 mg | 0.2 mg | 7.32 × 6.30 × 9.05 in (186 × 160 × 230 mm) | 3.54 in (90 mm) | 8.2 × 12.6 × 12.2 in (209 × 321 × 309 mm) | 191850 | \$2,200.00 |
| PX124/E | 120 g | 0.1 mg | 0.1 mg | 0.2 mg | 7.32 × 6.30 × 9.05 in (186 × 160 × 230 mm) | 3.54 in (90 mm) | 8.2 × 12.6 × 12.2 in (209 × 321 × 309 mm) | 191851 | \$2,550.00 |
| PX224/E | 220 g | 0.1 mg | 0.1 mg | 0.2 mg | 7.32 × 6.30 × 9.05 in (186 × 160 × 230 mm) | 3.54 in (90 mm) | 8.2 × 12.6 × 12.2 in (209 × 321 × 309 mm) | 191852 | \$2,825.00 |

Options/Accessories

| Part # | A&D Model # | Description | Price |
|--------|-------------|--|------------|
| 67413 | 80850080 | TAL software WinWedge® | \$575.00 |
| 191875 | 80850043 | Security device | \$310.00 |
| 102799 | 80780009 | Forceps, 2.75 in (70 mm) | \$36.00 |
| 102800 | 80780010 | Forceps, 3.5 in (89 mm) | \$36.00 |
| 33454 | 80250048 | Black scoop, aluminum 4 in × 3.5 in (10.2 cm × 8.9 cm), weight 24 g | \$51.00 |
| 97250 | 80250400 | Stainless steel scoop 11.9 in × 7.38 in × 1.69 in | \$98.00 |
| 100292 | 80250954 | Stainless steel scoop 17.2 in × 11 in × 3.4 in (44 cm × 28 cm × 8.5 cm) | \$89.00 |
| 156234 | 46001724 | AC adapter (requires 156235 plug set) | \$67.00 |
| 156235 | 46001780 | Universal plug set | \$29.00 |
| 191876 | 30472064 | Auxiliary display AD7-RS | \$96.00 |
| 191877 | 80253384 | Density kit | \$1,030.00 |
| 191878 | 83034024 | Sinker glass for density determination | \$865.00 |
| 191879 | 83021085 | USB interface cable | \$260.00 |
| 191880 | 30093334 | Dust cover | \$49.00 |
| 191881 | 30372546 | In-use cover | \$62.00 |



Explorer® Series

Standard Features

- Automatic calibration via AutoCal™
- Communication RS-232C
- On-screen prompts
- Spill channel
- Applications library
- Backlit, high-resolution dot matrix display
- GLP outputs via RS-232 to meet traceability requirements
- User-selectable filter, stability indicator and auto-zero tracking
- Five-language operation display text
- Protective in-use cover and security bracket
- Underweigh hook

OPTIONS

- NTEP Certified, Legal for Trade models by special order

Specifications

Weighing Units:

Milligram, gram, kilogram, ounce, carat, pennyweight, troy ounce, grain, newton (see technical manual for complete listing)

Operating Modes:

Weighing, percent weighing, parts counting, checkweighing, dynamic/animal weighing, filling, totalization, formulation, Differential weighing, density determination, peak hold, ingredient costing, pipette adjustment, SQC

Power:

AC adapter input: 100 to 240 VAC 0.6 A 50/60 Hz

Stabilization Time:

EX124: Approx. 2 seconds
EX224: Approx. 2 seconds
EX324: Approx. 3 seconds

Calibration:

AutoCal™ at 1.5 °C temperature change, 11 hours, and external calibration

Temperature:

Operating:
50 °F to 86 °F (10 °C to 30 °C)

Est. Weight:

21.1 lb (9.6 kg)

Warranty:

Two-year limited

Return Policy:

OHAUS standard policy - restock fee may apply

| Model | Capacity | Readability | Repeatability | Linearity | Weighing Chamber | Pan Size | Dimensions | Part # | List Price |
|-------|----------|-------------|---------------|-----------|--|---------------------|--|--------|------------|
| EX124 | 120 g | 0.0001 g | ±0.0001 g | ±0.0002 g | 9.5 × 7.5 × 6.5 in (241 × 190 × 165 mm) | Ø 3.5 in (90 mm) | 9.1 × 15.5 × 13.8 in (230 × 393 × 350 mm) | 121192 | \$5,425.00 |
| EX224 | 220 g | 0.0001 g | ±0.0001 g | ±0.0002 g | 9.5 × 7.5 × 6.5 in (241 × 190 × 165 mm) | Ø 3.5 in (90 mm) | 9.1 × 15.5 × 13.8 in (230 × 393 × 350 mm) | 121193 | \$6,025.00 |
| EX324 | 320 g | 0.0001 g | ±0.0001 g | ±0.0002 g | 9.5 × 7.5 × 6.5 in (241 × 190 × 165 mm) | Ø 3.5 in (90 mm) | 9.1 × 15.5 × 13.8 in (230 × 393 × 350 mm) | 121194 | \$7,075.00 |

Options/Accessories

| Part # | Model # | Description | Price |
|--------|----------|-------------------------------|----------|
| 35263 | 80850043 | Security device for EX | \$120.00 |
| 77712 | 80500524 | RS-232 cable, PC 25-pin to EX | \$260.00 |
| 70406 | 80500525 | RS-232 Cable, PC 9-pin to EX | \$260.00 |
| 156234 | 46001724 | Multi-range AC adapter | \$67.00 |
| 156235 | 46001780 | International plug set | \$29.00 |



BALANCES
OHAUS

Adventurer® Series

Standard Features

- Stable, accurate and fast operation, ensuring optimal weighing results
- Color touchscreen with 4.3 in (109 mm) display size
- Dual USB ports and RS-232 provide connectivity options
- Space-saving, top-mounted draft shield on analytical models
- Real-time clock with GLP/GMP data
- Below minimum sample weight indication with minimum weight feature
- AutoCal™ automatic calibration

Specifications

Weighing Units:

Milligram, gram, kilogram, ounce, pound, carat, pennyweight, troy ounce, grain, newton (see technical manual for complete listing)

Operating Modes:

Counting, weighing, dynamic weighing, checkweighing, percent weighing, totalization, display hold, density determination, formulation

Power:

100 to 240 VAC, 0.3 A, 50 to 60 HZ AC adapter

Calibration Weight:

AX124: 100 g
AX224: 224 g
AX324: 300 g

Temperature:

Operating:
50 °F to 86 °F (10 °C to 30 °C)

Est. Weight:

17.2 lb (7.8 kg)

Warranty:

Two-year limited

Return Policy:

OHAUS standard policy - restock fee may apply

| Model | Capacity | Readability | Repeatability | Linearity | Pan Size | Weighing Chamber | Dimensions | Part # | List Price |
|-------|----------|-------------|---------------|-----------|-------------------|---|---|--------|------------|
| AX124 | 120 g | 0.0001 g | 1 mg | 0.2 mg | 3.5 in (90 mm) | 9.05 × 13.92 × 13.39 in (230 × 354 × 340 mm) | 13.93 × 13.39 × 9.05 in (354 × 340 × 230 mm) | 164622 | \$3,975.00 |
| AX224 | 220 g | 0.0001 g | 1 mg | 0.2 mg | 3.5 in (90 mm) | 9.05 × 13.92 × 13.39 in (230 × 354 × 340 mm) | 13.93 × 13.39 × 9.05 in (354 × 340 × 230 mm) | 164623 | \$4,375.00 |
| AX324 | 320 g | 0.0001 g | 1 mg | 0.2 mg | 3.5 in (90 mm) | 9.05 × 13.92 × 13.39 in (230 × 354 × 340 mm) | 13.93 × 13.39 × 9.05 in (354 × 340 × 230 mm) | 164625 | \$4,775.00 |

Options/Accessories

| Part# | Model# | Description | Price |
|--------|----------|-------------------------------|----------|
| 191879 | 83021085 | USB cable, Type A to B | \$260.00 |
| 191875 | 80850043 | Security device (laptop lock) | \$310.00 |
| 77712 | 80500524 | 25-pin RS-232 cable (PC) | \$260.00 |
| 70406 | 80500525 | 9-pin RS-232 cable (PC) | \$260.00 |



Scout® SJX Series

Standard Features

- Automatic Zero Tracking (AZT)
- Integral LCD display
- Auto-off feature
- Programmable tare
- Transportation lock
- Menu/calibration lockout switch

Specifications

Weighing Units:

Gram, kilogram, ounce, pound, carat, pennyweight, troy ounce, grain, pound/ounce

Operating Modes:

Weighing, parts counting, percent weighing, checkweighing, totalization, density determination, display hold

Power:

AC adapter (included) or four AA batteries (not included)

Battery Life:

Approx. 80 hours

Verification Interval:

SJX323N/E: 0.01 g
 SJX622N/E and SJX1502N/E: 0.1 g
 SJX6201N/E: 1 g

Draft Shield:

SJX323N/E: Yes
 SJX622N/E, SJX1502N/E, SJX6201N/E: No

Class:

SJX323N/E and SJX1502N/E: II
 SJX622N/E and SJX6201N/E: III

Calibration Weight:

SJX323N/E: 50 g
 SJX622N/E: 300 g
 SJX1502M/E: 1.5 kg
 SJX6201N/E: 5 kg

Temperature:

Operating:
 Class II: 10 °C to 30 °C (0 °F to 86 °F)
 Class III: 10 °C to 40 °C (50 °F to 104 °F)

Humidity:

Class II: 10% to 80% RH (no condensation)
 Class III: 10% to 80% RH (no condensation)

Est. Weight:

3.3 lb (1.5 kg)

Warranty:

Two-year limited

Approvals:

NTEP 16-015A1
 Measurement Canada: AM-6008

Return Policy:

OHAUS standard policy - restock fee may apply



Measurement
 Canada
 Approved

| Model | Capacity | Readability | Repeatability | Pan Size | Dimensions | Part # | List Price |
|------------|----------|-------------|---------------|--------------------------------|--|--------|------------|
| SJX323N/E | 64 g | 0.001 g | 0.002 g | Ø 3.7 in (Ø 93 mm) | 8 × 8.7 × 4.1 in (202 × 222 × 103 mm) | 196652 | \$895.00 |
| SJX622N/E | 620 g | 0.1 g | 0.01 g | Ø 4.7 in (Ø 120 mm) | 8 × 8.7 × 4.1 in (202 × 222 × 103 mm) | 196653 | \$1,120.00 |
| SJX1502N/E | 1,500 g | 0.01 g | 0.02 g | 6.7 × 5.5 in (170 × 140 mm) | 8 × 8.7 × 4.1 in (202 × 222 × 103 mm) | 196654 | \$1,300.00 |
| SJX6201N/E | 6,200 g | 1 g | 0.1 g | 6.7 × 5.5 in (170 × 140 mm) | 8 × 8.7 × 4.1 in (202 × 222 × 103 mm) | 196655 | \$1,150.00 |



SJX323N/E



SJX622N/E



SJX1502N/E and SJX6201N/E

BALANCES
 OHAUS

Valor® 7000 Series

Standard Features

- Touchless sensors
- Backlit dual LCD display
- Illuminated up-front level indicator
- Internal rechargeable battery
- ABS plastic housing
- Skid-resistant leveling feet
- Menu lock switch
- Multiple application modes
- RS-232 interface for connecting to printer or PC
- Fast stabilizing time

Specifications

Weighing Units:

Pound, ounce, kilogram, gram

Operating Modes:

Weighing, percent, checkweighing, accumulation

Power:

100 to 240 V, internal rechargeable battery
210-hour operation with 12 hour full charge

Stabilization Time:

Approx. 1 second

NTEP Resolution:

V71P1502T: 3 × 0.001 lb
V71P3T: 6 × 0.002 lb
V71P6T: 15 × 0.005 lb
V71P15T: 30 × 0.01 lb
V71P30T: 60 × 0.02 lb

Calibration Weight:

1502T: 1.5 kg/3 lb
3T: 3 kg/6 lb
6T: 6 kg/15 lb
15T: 15 kg/30 lb
30T: 30 kg/60 lb

Temperature:

Operating:
14 °F to 104 °F (-10 °C to 40 °C)

Est. Weight:

9.2 lb (4.2 kg)

Warranty:

One-year limited

Return Policy:

OHAUS standard policy - restock fee may apply

Approvals:

NTEP 13-022
Measurement Canada AM-5907C
OIML R76/2006-NL1-12-46
NSF



Measurement
Canada
Approved



| Model | Capacity | Readability | Pan Size | Dimensions | Part # | List Price |
|-----------|----------|-------------|---------------------------------|--|--------|------------|
| V71P1502T | 1.5 kg | 0.00005 kg | 11.8 × 8.9 in (300 × 225 mm) | 12.2 × 12.9 × 4.6 in (311 × 327 × 117 mm) | 157316 | \$910.00 |
| V71P3T | 3 kg | 0.0001 kg | 11.8 × 8.9 in (300 × 225 mm) | 12.2 × 12.9 × 4.6 in (311 × 327 × 117 mm) | 157317 | \$910.00 |
| V71P6T | 6 kg | 0.0002 kg | 11.8 × 8.9 in (300 × 225 mm) | 12.2 × 12.9 × 4.6 in (311 × 327 × 117 mm) | 157318 | \$910.00 |
| V71P15T | 15 kg | 0.0005 kg | 11.8 × 8.9 in (300 × 225 mm) | 12.2 × 12.9 × 4.6 in (311 × 327 × 117 mm) | 157319 | \$910.00 |
| V71P30T | 30 kg | 0.001 kg | 11.8 × 8.9 in (300 × 225 mm) | 12.2 × 12.9 × 4.6 in (311 × 327 × 117 mm) | 157320 | \$910.00 |

Options/Accessories

| Part # | Model # | Description | Price |
|--------|----------|--------------|----------|
| 154638 | 30037447 | Ethernet kit | \$168.00 |

BALANCES
OHAUS



Adventurer® Series

Standard Features

- Stable, accurate and fast operation, ensuring optimal weighing results
- Color touchscreen with 4.3 in (109 mm) display size
- Dual USB ports and RS-232 provide connectivity options
- Space-saving, top-mounted draft shield on analytical models
- Real-time clock with GLP/GMP data
- Below minimum sample weight indication with minimum weight feature
- AutoCal™

Specifications

Weighing Units:

Milligram, gram, kilogram, ounce, pound, carat, pennyweight, troy ounce, grain, newton, Hong Kong tael, Singapore tael, Taiwan tael, momme, tical, baht, mesghal, tola, custom

Operating Modes:

Counting, weighing, dynamic weighing, checkweighing, percent weighing, totalization, display hold, density determination, formulation

Power:

100 to 240 VAC, 0.3 A, 50/60 Hz AC adapter

Class:

AX224N: I (0.001 g)
 AX223N/E: II (0.01 g)
 AX423N/E and AX523N/E: II (0.01 g)
 AX622N/E, AX1502N/E, AX2202N/E, AX4202N/E: II (0.1 g)
 AX8201N/E: II (1 g)

Calibration Weight:

224N, AX223 and AX223N/E: 200 g
 AX423: 400 g
 AX523: 500 g
 AX622: 600 g
 1502N/E: 1500 g
 2202N/E: 2000 g
 4202N/E: 4000 g
 8201N/E: 8000 g

Temperature:

Operating:
 10 °C to 30 °C (50 °F to 86 °F)

Est. Weight:

AX224N: 17.2 lb (7.8 kg)
 AX223N/E: 12.8 lb (5.8 kg)
 AX423N/E and AX523N/E: 12.8 lb (5.8 kg)
 AX622N/E, AX1502N/E, AX2202N/E, AX4202N/E: 14.4 lb (6.5 kg)
 AX8201N/E: 12.6 lb (5.7 kg)

Warranty:

Two-year limited

Return Policy:

OHAUS standard policy - restock fee may apply

Approvals:

NTEP 14-082A4
 Measurement Canada: AM-5957



Measurement
 Canada
 Approved

| Model | Capacity | Readability | Repeatability | Linearity | Pan Size | Dimensions | Part # | List Price |
|---|----------|-------------|---------------|-----------|-----------------------------|--|--------|------------|
| NTEP Certified and Measurement Canada Approved | | | | | | | | |
| AX224N | 220 g | 0.0001 g | 2 mg | 0.2 mg | 3.5 in (90 mm) | 13.93 × 13.39 × 9.05 in (354 × 340 × 230 mm) | 164624 | \$4,650.00 |
| AX223N/E | 220 g | 0.001 g | 0.001 g | 0.2 mg | 5.1 in (130 mm) | 13.93 × 13.39 × 9.05 in (354 × 340 × 230 mm) | 164627 | \$2,110.00 |
| AX423N/E | 420 g | 0.001 g | 0.001 g | 0.002 mg | 5.1 in (130 mm) | 13.93 × 13.39 × 9.05 in (354 × 340 × 230 mm) | 164629 | \$2,525.00 |
| AX523N/E | 520 g | 0.001 g | 0.001 g | 0.002 mg | 5.1 in (130 mm) | 13.93 × 13.39 × 9.05 in (354 × 340 × 230 mm) | 164632 | \$2,800.00 |
| AX622N/E | 620 g | 0.01 g | 0.001 g | 0.002 mg | 6.9 × 7.7 in (175 × 195 mm) | 13.93 × 3.94 × 9.05 in (354 × 100 × 230 mm) | 164634 | \$1,630.00 |
| AX1502N/E | 1,520 g | 0.01 g | 0.001 g | 0.002 mg | 6.9 × 7.7 in (175 × 195 mm) | 13.93 × 3.94 × 9.05 in (354 × 100 × 230 mm) | 164636 | \$1,840.00 |
| AX2202N/E | 2,200 g | 0.01 g | 0.01 g | 0.002 mg | 6.9 × 7.7 in (175 × 195 mm) | 13.93 × 3.94 × 9.05 in (354 × 100 × 230 mm) | 164638 | \$2,050.00 |
| AX4202N/E | 4,200 g | 0.01 g | 0.01 g | 0.002 mg | 6.9 × 7.7 in (175 × 195 mm) | 13.93 × 3.94 × 9.05 in (354 × 100 × 230 mm) | 164640 | \$2,600.00 |
| AX8201N/E | 8,200 g | 0.1 g | 0.1 g | 0.02 mg | 6.9 × 7.7 in (175 × 195 mm) | 13.93 × 3.94 × 9.05 in (354 × 100 × 230 mm) | 164644 | \$2,050.00 |

**BALANCES
OHAUS**

Options/Accessories

| Part # | Model # | Description | Price |
|--------|----------|-------------------------------|----------|
| 191879 | 83021085 | USB cable, Type A to B | \$260.00 |
| 191875 | 80850043 | Security device (laptop lock) | \$310.00 |
| 77712 | 80500524 | 25-pin RS-232 cable (PC) | \$260.00 |
| 70406 | 80500525 | 9-pin RS-232 cable (PC) | \$260.00 |



Adventurer® Series

Standard Features

- Stable, accurate and fast operation, ensuring optimal weighing results
- Color touchscreen with 4.3 in (109 mm) display size
- Dual USB ports and RS-232 provide connectivity options
- Space-saving, top-mounted draft shield on analytical models
- Real-time clock with GLP/GMP data
- Below minimum sample weight indication with minimum weight feature
- AutoCal™ automatic internal adjustment weight for optimized weighing performance

Specifications

Weighing Units:

Milligram, gram, kilogram, ounce, pound, carat, pennyweight, troy ounce, grain, newton, Hong Kong tael, Singapore tael, Taiwan tael, momme, tical, baht, mesghal, tola, custom

Operating Modes:

Counting, weighing, dynamic weighing, checkweighing, percent weighing, totalization, display hold, density determination, formulation

Power:

100 to 240 VAC, 0.3 A, 50/60 Hz AC adapter

Stabilization Time:

Approx. 1 second

Calibration Weight:

AX223: 200 g
 AX423: 400 g
 AX523: 500 g
 AX622: 600 g

Temperature:

Operating:
 10 °C to 30 °C (50 °F to 86 °F)

Est. Weight:

AX223, AX423, AX523: 12.8 lb (5.8 kg)
 AX622: 14.8 lb (6.5 kg)

Warranty:

Two-year limited

Return Policy:

OHAUS standard policy - restock fee may apply

| Model | Capacity | Readability | Repeatability | Linearity | Pan Size | Dimensions | Part # | List Price |
|-------|----------|-------------|---------------|-----------|-----------------------------|--|--------|------------|
| AX223 | 220 g | 0.001 g | 0.001 g | 0.2 mg | 5.1 in (130 mm) | 13.93 × 13.39 × 9.05 in (354 × 340 × 230 mm) | 164626 | \$2,400.00 |
| AX423 | 420 g | 0.001 g | 0.001 g | 0.002 mg | 5.1 in (130 mm) | 13.93 × 13.39 × 9.05 in (354 × 340 × 230 mm) | 164628 | \$2,900.00 |
| AX523 | 520 g | 0.001 g | 0.001 g | 0.002 mg | 5.1 in (130 mm) | 13.93 × 13.39 × 9.05 in (354 × 340 × 230 mm) | 164630 | \$3,175.00 |
| AX622 | 620 g | 0.01 g | 0.001 g | 0.002 mg | 6.9 x 7.7 in (175 × 195 mm) | 13.93 × 3.94 × 9.05 in (354 × 100 × 230 mm) | 164633 | \$1,820.00 |

Options/Accessories

| Part# | Model# | Description | Price |
|--------|----------|-------------------------------|----------|
| 191879 | 83021085 | USB cable, Type A to B | \$260.00 |
| 191875 | 80850043 | Security device (laptop lock) | \$310.00 |
| 77712 | 80500524 | 25-pin RS-232 cable (PC) | \$260.00 |
| 70406 | 80500525 | 9-pin RS-232 cable (PC) | \$260.00 |

BALANCES
OHAUS



Pioneer® PX Series

Standard Features

- Easy-to-clean analytical draft shield (select models)
- Removable doors for easy cleaning and access
- Up-front level bubble for easy reference
- Selectable environmental settings
- Standard security bracket
- RS-232 interface for connecting to printer or PC
- Security menu lock
- Backlight display
- Flexibility of available options
- Underweigh hook

Specifications

Weighing Units:

Milligram, gram, carat, ounce, troy ounce, grain, pennyweight, momme, tael, tical, tola, baht, mesghal, newton, custom unit

Operating Modes:

Weighing, parts counting, percent, density, determination, dynamic weighing

Power:

120 VAC adapter (220 to 240 VAC adapter by special order), 50/60 Hz

Stabilization Time:

Approx. 4 seconds

Calibration Weight:

PX163/E: 100/150 g
 PX323/E: 200/300 g
 PX523/E: 200/500 g

Temperature:

Operating:
 10 °C to 30 °C (50 °F to 86 °F)

Est. Weight:

10 lb (4.5 kg)

Warranty:

Two-year limited

Return Policy:

OHAUS standard policy - restock fee may apply

| Model | Capacity | Readability | Repeatability | Linearity | Pan Size | Dimensions | Part # | List Price |
|---------|----------|-------------|---------------|-----------|------------------|---|--------|------------|
| PX163/E | 160 g | 0.001 g | 1 mg | 2 mg | 4.72 in (120 mm) | 8.2 × 12.6 × 12.2 in (209 × 321 × 309 mm) | 191853 | \$1,280.00 |
| PX323/E | 320 g | 0.001 g | 1 mg | 2 mg | 4.72 in (120 mm) | 8.2 × 12.6 × 12.2 in (209 × 321 × 309 mm) | 191854 | \$1,490.00 |
| PX523/E | 520 g | 0.001 g | 1 mg | 2 mg | 4.72 in (120 mm) | 8.2 × 12.6 × 12.2 in (209 × 321 × 309 mm) | 191855 | \$1,445.00 |

Options/Accessories

| Part # | A&D Model # | Description | Price |
|--------|-------------|---|------------|
| 67413 | 80850080 | TAL software WinWedge® | \$575.00 |
| 191875 | 80850043 | Security device | \$310.00 |
| 102799 | 80780009 | Forceps, 2.75 in (70 mm) | \$36.00 |
| 102800 | 80780010 | Forceps, 3.5 in (89 mm) | \$36.00 |
| 33454 | 80250048 | Black scoop, aluminum 4 in × 3.5 in (10.2 cm × 8.9 cm), weight 24 g | \$51.00 |
| 97250 | 80250400 | Stainless steel scoop 11.9 in × 7.38 in × 1.69 in | \$98.00 |
| 100292 | 80250954 | Stainless steel scoop 17.2 in × 11 in × 3.4 in (44 cm × 28 cm × 8.5 cm) | \$89.00 |
| 156234 | 46001724 | AC adapter (requires 156235 plug set) | \$67.00 |
| 156235 | 46001780 | Universal plug set | \$29.00 |
| 191876 | 30472064 | Auxiliary display AD7-RS | \$96.00 |
| 191877 | 80253384 | Density kit | \$1,030.00 |
| 191878 | 83034024 | Sinker glass for density determination | \$865.00 |
| 191879 | 83021085 | USB interface cable | \$260.00 |
| 191880 | 30093334 | Dust cover | \$49.00 |
| 191881 | 30372546 | In-use cover | \$62.00 |



BALANCES
OHAUS

Explorer® Series

Standard Features

- Large, 5.7 full-color touchscreen display with intuitive setup and application software
- AutoCal™ automatic internal adjustment weight for optimized weighing performance
- 14 application modes, 11 weighing units and 5 display languages for a wide variety of applications
- Four programmable touchless sensors for hands-free operation
- 0.001 g models feature frameless draftshield with anti-static glass, flip-top and large side entry doors on top-mounted bearings

OPTIONS

- External calibration models

Specifications

Weighing Units:

Milligram, gram, kilogram, ounce, carat, pennyweight, troy ounce, grain, newton (see technical manual for complete listing)

Operating Modes:

Weighing, percent weighing, parts counting, checkweighing, dynamic/animal weighing, filling, totalization, formulation, Differential weighing, density determination, peak hold, ingredient costing, pipette adjustment, SQC

Power:

AC adapter input: 100 to 240 VAC 0.6 A 50/60 Hz

Stabilization Time:

Approx. 1.5 second

Calibration:

AutoCal™ at 1.5 °C temperature change, 11 hours, and external calibration

Temperature:

Operating: 10 °C to 30 °C (50 °F to 86 °F)

Est. Weight:

21.1 lb (9.6 kg)

Warranty:

Two-year limited

Return Policy:

OHAUS standard policy - restock fee may apply

| Model | Capacity | Readability | Repeatability | Linearity | Weighing Chamber | Pan Size | Dimensions | Part # | List Price |
|--------|----------|-------------|---------------|-----------|--|----------------------|--|--------|------------|
| EX223 | 220 g | 0.001 g | ±0.001 g | ±0.002 g | 9.5 × 7.5 × 6.5 in (241 × 191 × 165 mm) | Ø 5.1 in (130 mm) | 9.1 × 15.5 × 13.8 in (230 × 393 × 350 mm) | 121195 | \$3,575.00 |
| EX423 | 420 g | 0.001 g | ±0.001 g | ±0.002 g | 9.5 × 7.5 × 6.5 in (241 × 191 × 165 mm) | Ø 5.1 in (130 mm) | 9.1 × 15.5 × 13.8 in (230 × 393 × 350 mm) | 121196 | \$4,175.00 |
| EX623 | 620 g | 0.001 g | ±0.001 g | ±0.002 g | 9.5 × 7.5 × 6.5 in (241 × 191 × 165 mm) | Ø 5.1 in (130 mm) | 9.1 × 15.5 × 13.8 in (230 × 393 × 350 mm) | 121197 | \$5,100.00 |
| EX1103 | 1,100 g | 0.001 g | ±0.001 g | ±0.002 g | 9.5 × 7.5 × 6.5 in (241 × 191 × 165 mm) | Ø 5.1 in (130 mm) | 9.1 × 15.5 × 13.8 in (230 × 393 × 350 mm) | 121198 | \$5,975.00 |

Options/Accessories

| Part # | Model # | Description | Price |
|--------|----------|-------------------------------|----------|
| 35263 | 80850043 | Security device | \$120.00 |
| 77712 | 80500524 | RS-232 cable, PC 25-pin to EX | \$260.00 |
| 70406 | 80500525 | RS-232 Cable, PC 9-pin to EX | \$260.00 |
| 156234 | 46001724 | Multi-range AC adapter | \$67.00 |
| 156235 | 46001780 | International plug set | \$29.00 |

BALANCES
OHAUS



Scout® Series

Standard Features

- ABS housing and stainless steel pan
- Display type (SPX): backlit LCD, six-digit, seven-segment with white LED backlight
- Display type (STX): full-color touchscreen WQVGA graphic LCD

Specifications

Weighing Units:

Gram, kilogram, ounce, pound, carat, pennyweight, troy ounce, grain, newton, pound/ounce (see technical manual for complete listing)

Operating Modes:

Weighing, parts counting, percent weighing, checkweighing, totalization, display hold, only available on STX models: animal/dynamic weighing, density determination, mole weighing

Power:

Multi-range, multi-plug AC power or battery (uses 4 AA batteries not included)

Stabilization Time:

Approx. 1 second

Battery Life:

SPX123, SPX223, SPX422, SPX622, SPX1202, SPX2202, SPX6201: 80 hours
 SPX222, SPX421, SPX621, SPX2201, SPX8200: 120 hours

Calibration Weight:

SPX123 and STX123: 100 g
 SPX223, STX223: 200 g

Temperature:

Operating:
 10 °C to 40 °C (50 °F to 104 °F);
 10% to 85% at 31 °C, decreasing linearly to 50% at 40 °C (no condensation)

Est. Weight:

2.8 lb (1.24 kg)

Warranty:

One-year limited

Return Policy:

OHAUS standard policy - restock fee may apply

| Model | Capacity | Readability | Repeatability | Linearity | Pan Size | Dimensions | Part # | List Price |
|--------------------------|----------|-------------|---------------|-----------|------------------|---------------------------------------|--------|------------|
| LCD Model | | | | | | | | |
| SPX123 | 120 g | 0.001 g | 2 d | 0.003 g | Ø 3.7 in (93 mm) | 8 × 8.7 × 4.1 in (202 × 222 × 103 mm) | 171984 | \$895.00 |
| SPX223 | 220 g | 0.001 g | 2 d | 0.001 g | Ø 3.7 in (93 mm) | 8 × 8.7 × 4.1 in (202 × 222 × 103 mm) | 171985 | \$1,000.00 |
| Touchscreen Model | | | | | | | | |
| STX123 | 120 g | 0.001 g | 2 d | 0.003 g | Ø 3.7 in (93 mm) | 8 × 8.7 × 4.1 in (202 × 222 × 103 mm) | 171996 | \$1,020.00 |
| STX223 | 220 g | 0.001 g | 2 d | 0.001 g | Ø 3.7 in (93 mm) | 8 × 8.7 × 4.1 in (202 × 222 × 103 mm) | 171998 | \$1,140.00 |

Options/Accessories

| Part# | Model# | Description | Price |
|--------|----------|------------------------------------|----------|
| 67413 | 80850080 | WinWedge® TAL Software | \$575.00 |
| 181878 | 30330714 | Power supply, US plug, 110/220 VAC | \$36.00 |

BALANCES
OHAUS



Pioneer® PX Series

Standard Features

- Up-front level bubble for easy reference
- Selectable environmental settings
- Standard security bracket
- RS-232 interface for connecting to printer or PC
- Security menu lock
- Backlight display
- Flexibility of available options
- Underweigh hook

Specifications

Weighing Units:

Milligram, gram, carat, ounce, troy ounce, grain, pennyweight, momme, tael, tical, tola, baht, mesghal, newton, custom unit

Operating Modes:

Weighing, parts counting, percent, density determination, dynamic weighing

Power:

120 VAC adapter (220 to 240 VAC adapter by special order), 50/60 Hz

Stabilization Time:

160 to 520 g: Approx. 2 seconds
1,600 to 4,200 g: Approx. 1 second

Calibration Weight:

PX1602/E: 1,000/1,500 g
PX2202/E: 1,000/2,000 g
PX3202/E: 2,000/3,000 g
PX4202/E: 2,000/4,000 g
PX2201/E: 1,000/2,000 g
PX4201/E: 2,000/4,000 g

Temperature:

Operating:
50 °F to 86 °F (10 °C to 30 °C)

Est. Weight:

160 to 520 g: 10 lb (4.5 kg)
1,600 to 4,200 g: 7.7 lb (3.5 kg)

Warranty:

Two-year limited

Return Policy:

OHAUS standard policy - restock fee may apply

| Model | Capacity | Readability | Repeatability | Linearity | Pan Size | Dimensions | Part # | List Price |
|----------|----------|-------------|---------------|-----------|-----------------|---|--------|------------|
| PX1602/E | 1,600 g | 0.01 g | 10 mg | 20 mg | 7.1 in (180 mm) | 8.2 × 12.6 × 3.9 in (209 × 321 × 98 mm) | 191856 | \$1,230.00 |
| PX2202/E | 2,200 g | 0.01 g | 10 mg | 20 mg | 7.1 in (180 mm) | 8.2 × 12.6 × 3.9 in (209 × 321 × 98 mm) | 191857 | \$1,350.00 |
| PX3202/E | 3,200 g | 0.01 g | 10 mg | 20 mg | 7.1 in (180 mm) | 8.2 × 12.6 × 3.9 in (209 × 321 × 98 mm) | 191858 | \$1,620.00 |
| PX4202/E | 4,200 g | 0.01 g | 10 mg | 20 mg | 7.1 in (180 mm) | 8.2 × 12.6 × 3.9 in (209 × 321 × 98 mm) | 191859 | \$1,840.00 |
| PX2201/E | 2,200 g | 0.1 g | 100 mg | 200 mg | 7.1 in (180 mm) | 8.2 × 12.6 × 3.9 in (209 × 321 × 98 mm) | 191860 | \$1,150.00 |
| PX4201/E | 4,200 g | 0.1 g | 100 mg | 200 mg | 7.1 in (180 mm) | 8.2 × 12.6 × 3.9 in (209 × 321 × 98 mm) | 191861 | \$1,320.00 |

Options/Accessories

| Part # | Model # | Description | Price |
|--------|----------|---|------------|
| 67413 | 80850080 | TAL software WinWedge® | \$575.00 |
| 191875 | 80850043 | Security device | \$310.00 |
| 102799 | 80780009 | Forceps, 2.75 in (70 mm) | \$36.00 |
| 102800 | 80780010 | Forceps, 3.5 in (89 mm) | \$36.00 |
| 33454 | 80250048 | Black scoop, aluminum 4 in × 3.5 ft (10.2 cm × 8.9 cm), weight 24 g | \$51.00 |
| 97250 | 80250400 | Stainless steel scoop 11.9 in × 7.38 in × 1.69 in | \$98.00 |
| 100292 | 80250954 | Stainless steel scoop 17.2 in × 11 in × 3.4 in (44 cm × 28 cm × 8.5 cm) | \$89.00 |
| 156234 | 46001724 | AC adapter (requires 156235 plug set) | \$67.00 |
| 156235 | 46001780 | Universal plug set | \$29.00 |
| 191876 | 30472064 | Auxiliary display AD7-RS | \$96.00 |
| 191877 | 80253384 | Density kit | \$1,030.00 |
| 191878 | 83034024 | Sinker glass for density determination | \$865.00 |
| 191879 | 83021085 | USB interface cable | \$260.00 |
| 191880 | 30093334 | Dust cover | \$49.00 |
| 191881 | 30372546 | In-use cover | \$62.00 |



BALANCES
OHAUS

Explorer® Series

Standard Features

- Large, 5.7 full-color touchscreen display with intuitive set up and application software
- AutoCal™ automatic internal adjustment weight for optimized weighing performance
- 14 application modes, 11 weighing units and 5 display languages for a wide variety of applications
- Four programmable touchless sensors for hands-free operation

OPTIONS

- External calibration models

Specifications

Weighing Units:

Milligram, gram, kilogram, ounce, carat, pennyweight, troy ounce, grain, newton (see technical manual for complete listing)

Operating Modes:

Weighing, percent weighing, parts counting, checkweighing, dynamic/animal weighing, filling, totalization, formulation, Differential weighing, density determination, peak gold, ingredient costing, pipette adjustment, SQC

Power:

AC adapter input: 100 to 240 VAC 0.6 A 50/60 Hz

Stabilization Time:

1 second

Calibration:

AutoCal™ at 1.5 °C temperature change, 11 hours and external calibration

Temperature:

Operating:
10 °C to 30 °C (50 °F to 86 °F)

Est. Weight:

EX2202, EX4202: 15 lb (6.8 kg)
EX6202, EX10202, EX6201, EX10201: 16.3 lb (7.4 kg)

Warranty:

Two-year limited

Return Policy:

OHAUS standard policy - restock fee may apply

| Model | Capacity | Readability | Repeatability | Linearity | Pan Size | Dimensions | Part # | List Price |
|---------|----------|-------------|---------------|-----------|--------------------------------|--|--------|------------|
| EX2202 | 2,200 g | 0.01 g | ±0.01 g | ±0.02 g | 7.5 × 7.9 in (190 × 200 mm) | 9.1 × 15.5 × 3.9 in (230 × 393 × 98 mm) | 121199 | \$3,850.00 |
| EX4202 | 4,200 g | 0.01 g | ±0.01 g | ±0.02 g | 7.5 × 7.9 in (190 × 200 mm) | 9.1 × 15.5 × 3.9 in (230 × 393 × 98 mm) | 121200 | \$4,425.00 |
| EX6202 | 6,200 g | 0.01 g | ±0.01 g | ±0.02 g | 7.5 × 7.9 in (190 × 200 mm) | 9.1 × 15.5 × 3.9 in (230 × 393 × 98 mm) | 121201 | \$5,025.00 |
| EX10202 | 10,200 g | 0.01 g | ±0.01 g | ±0.02 g | 7.5 × 7.9 in (190 × 200 mm) | 9.1 × 15.5 × 3.9 in (230 × 393 × 98 mm) | 121202 | \$5,950.00 |
| EX6201 | 6,200 g | 0.1 g | ±0.1 g | ±0.1 g | 7.5 × 7.9 in (190 × 200 mm) | 9.1 × 15.5 × 3.9 in (230 × 393 × 98 mm) | 121203 | \$4,175.00 |
| EX10201 | 10,200 g | 0.1 g | ±0.1 g | ±0.1 g | 7.5 × 7.9 in (190 × 200 mm) | 9.1 × 15.5 × 3.9 in (230 × 393 × 98 mm) | 121204 | \$4,575.00 |

Options/Accessories

| Part # | Model # | Description | Price |
|--------|----------|-------------------------------|----------|
| 35263 | 80850043 | Security device | \$120.00 |
| 77712 | 80500524 | RS-232 cable, PC 25-pin to EX | \$260.00 |
| 70406 | 80500525 | RS-232 Cable, PC 9-pin to EX | \$260.00 |
| 156234 | 46001724 | Multi-range AC adapter | \$67.00 |
| 156235 | 46001780 | International plug set | \$29.00 |



Adventurer® Series

Standard Features

- AutoCal™ automatic internal adjustment weight for optimized weighing performance
- Stable, accurate and fast operation, ensuring optimal weighing results
- Color touchscreen with 4.3 in (109 mm) display size
- Dual USB ports and RS-232 provide connectivity options
- Real-time clock with GLP/GMP data
- Below minimum sample weight indication with minimum weight feature

Specifications

Weighing Units:

Milligram, gram, kilogram, ounce, pound, carat, pennyweight, troy ounce, grain, newton (see technical manual for complete listing)

Operating Modes:

Counting, weighing, dynamic weighing, checkweighing, percent weighing, totalization, display hold, density determination, formulation

Power:

100 to 240 VAC, 0.3 A, 50/60 Hz AC adapter

Temperature:

Operating:
10 °C to 30 °C (50 °F to 86 °F)

Est. Weight:

AX1502, AX2202, AX4202: 14.4 lb (6.5 kg)
AX8201, AX5202: 12.6 lb (5.7 kg)

Warranty:

Two-year limited

Return Policy:

OHAUS standard policy - restock fee may apply

| Model | Capacity | Readability | Repeatability | Linearity | Pan Size | Dimensions | Part # | List Price |
|--------|----------|-------------|---------------|-----------|--------------------------------|--|--------|------------|
| AX1502 | 1,520 g | 0.01 g | 0.001 g | 0.002 mg | 6.9 × 7.7 in (175 × 195 mm) | 13.93 × 3.94 × 9.05 in (354 × 100 × 230 mm) | 164635 | \$2,220.00 |
| AX2202 | 2,200 g | 0.01 g | 0.01 g | 0.002 mg | 6.9 × 7.7 in (175 × 195 mm) | 13.93 × 3.94 × 9.05 in (354 × 100 × 230 mm) | 164637 | \$2,360.00 |
| AX4202 | 4,200 g | 0.01 g | 0.01 g | 0.002 mg | 6.9 × 7.7 in (175 × 195 mm) | 13.93 × 3.94 × 9.05 in (354 × 100 × 230 mm) | 164639 | \$2,975.00 |
| AX5202 | 5,200 g | 0.01 g | 0.01 g | 0.002 mg | 6.9 × 7.7 in (175 × 195 mm) | 13.93 × 3.94 × 9.05 in (354 × 100 × 230 mm) | 164641 | \$3,375.00 |
| AX4201 | 4,200 g | 0.1 g | 0.1 g | 0.02 mg | 6.9 × 7.7 in (175 × 195 mm) | 13.93 × 3.94 × 9.05 in (354 × 100 × 230 mm) | 164642 | \$1,960.00 |
| AX8201 | 8,200 g | 0.1 g | 0.1 g | 0.02 mg | 6.9 × 7.7 in (175 × 195 mm) | 13.93 × 3.94 × 9.05 in (354 × 100 × 230 mm) | 164643 | \$2,290.00 |

Options/Accessories

| Part # | Model # | Description | Price |
|--------|----------|-------------------------------|----------|
| 191879 | 83021085 | USB cable, Type A to B | \$260.00 |
| 191875 | 80850043 | Security device (laptop lock) | \$310.00 |
| 77712 | 80500524 | 25-pin RS-232 cable (PC) | \$260.00 |
| 70406 | 80500525 | 9-pin RS-232 cable (PC) | \$260.00 |



Navigator™ XT Series

Standard Features

- Touchless IR (infrared) sensors minimize keypad use
- Program IR sensor to control zero, print tare, backlight and power functions
- Backlit 0.8 in LCD display for high visibility
- Illuminated level indicator at start-up
- Integrated transportation and calibration lock switch
- Hygienic design for easy cleanup in food, laboratory and industrial applications
- Impact-resistant ABS plastic housing with polished stainless steel spill-resistant pan
- Non-skid leveling feet

Specifications

Weighing Units:

Gram, carat, ounce, pound, carat, pennyweight, troy ounce, grain, pound/ounce (see technical manual for complete listing)

Operating Modes:

Weighing, percent, parts counting, checkweighing, display hold, accumulation/totalization

Power:

12 VDC 0.42 A AC adapter, 100 to 240 V, four C-batteries (not included)

Stabilization Time:

1 second (NVT4201 = 1.5 seconds)

Calibration Weight:

NVT2201: 2 lb (1 kg)
 NVT4201: 5 lb (2 kg)
 NVT6200: 10 lb (5 kg)
 NVT12000: 10 lb (5 kg)
 NVT2200: 20 lb (10 kg)

Temperature:

Operating:
 10 °C to 40 °C (50 °F to 104 °F) at 20% to 85% RH

Est. Weight:

5.1 lb (2.3 kg)

Warranty:

One-year limited

Return Policy:

OHAUS standard policy - restock fee may apply

| Model | Capacity | Readability | Linearity | Pan Size | Dimensions | Part # | List Price |
|----------|----------|-------------|--------------|--------------------------------|---|--------|------------|
| NVT2201 | 2,200 g | 0.1 g | 0.1 g/±0.2 g | 9.1 × 6.9 in (230 × 174 mm) | 9.5 × 9.8 × 2.9 in (240 × 250 × 74 mm) | 194607 | \$510.00 |
| NVT4201 | 4,200 g | 0.1 g | 0.1 g/±0.2 g | 9.1 × 6.9 in (230 × 174 mm) | 9.5 × 9.8 × 2.9 in (240 × 250 × 74 mm) | 194608 | \$635.00 |
| NVT6200 | 6,200 g | 1 g | 1 g/±2 g | 9.1 × 6.9 in (230 × 174 mm) | 9.5 × 9.8 × 2.9 in (240 × 250 × 74 mm) | 194609 | \$635.00 |
| NVT12000 | 12,000 g | 1 g | 1 g/±2 g | 9.1 × 6.9 in (230 × 174 mm) | 9.5 × 9.8 × 2.9 in (240 × 250 × 74 mm) | 194610 | \$685.00 |
| NVT22000 | 22,000 g | 1 g | 1 g/±2 g | 9.1 × 6.9 in (230 × 174 mm) | 9.5 × 9.8 × 2.9 in (240 × 250 × 74 mm) | 194611 | \$820.00 |

Options/Accessories

| Part # | Model # | Description | Price |
|--------|----------|--|----------|
| 118779 | 83032107 | RS-232 interface kit, Navigator series | \$225.00 |
| 118780 | 83032108 | USB interface kit | \$225.00 |
| 118781 | 83032109 | Ethernet interface kit | \$225.00 |
| 194616 | 30467963 | Carrying case | \$150.00 |
| 194615 | 30467987 | Universal AC adapter | \$53.00 |



Scout® Series

Standard Features

- ABS housing and stainless steel pan
- Display type (SPX): backlit LCD, six-digit, seven-segment with white LED backlight
- Display type (STX): full-color touchscreen WQVGA graphic LCD

Specifications

Weighing Units:

Gram, kilogram, ounce, pound, carat, pennyweight, troy ounce, grain, newton, pound/ounce (see technical manual for complete listing)

Operating Modes:

Weighing, parts counting, percent weighing, checkweighing, totalization, display hold, only available on STX models: animal/dynamic weighing, density determination, mole weighing

Power:

Multi-range, multi-plug AC power or battery (uses four-AA batteries not included)

Battery Life:

SPX422, SPX622, SPX1202, SPX2202, SPX6201: 80 hours
 SPX222, SPX421, SPX621, SPX2201, SPX8200: 120 hours

Stabilization Time:

Approx. 1 second

Calibration Weight:

SPX222, STX222: 200 g
 SPX422, SPX421, STX422, SPT421: 400 g
 SPX622, SPX621, STX622, STX621: 600 g
 SPX1202 and STX1202: 1,000 g
 SPX2202, SPX2201, STX2202, STX2201: 2,000 g
 SPX6201: 6,000 g
 SPX8200: 8,000 g

Temperature:

Operating:
 10 °C to 40 °C (50 °F to 104 °F)

Humidity:

10% to 85% at 31 °C, decreasing linearly to 50% at 40 °C (no condensation)

Est. Weight:

2.8 lb (1.24 kg)

Warranty:

One-year limited

Return Policy:

OHAUS standard policy - restock fee may apply

| Model | Capacity | Readability | Repeatability | Linearity | Pan Size | Dimensions | Part # | List Price |
|------------------|----------|-------------|---------------|-----------|-----------------------------|--------------------------------------|--------|------------|
| LCD Model | | | | | | | | |
| SPX222 | 220 g | 0.01 g | 1d | 0.01 g | Ø 4.7 in (120 mm) | 8 × 8.8 × 2.1 in (202 × 224 × 54 mm) | 171986 | \$650.00 |
| SPX422 | 420 g | 0.01 g | 1d | 0.01 g | Ø 4.7 in (120 mm) | 8 × 8.8 × 2.1 in (202 × 224 × 54 mm) | 171987 | \$915.00 |
| SPX622 | 620 g | 0.01 g | 1d | 0.01 g | Ø 4.7 in (120 mm) | 8 × 8.8 × 2.1 in (202 × 224 × 54 mm) | 171988 | \$1,070.00 |
| SPX1202 | 1,200 g | 0.01 g | 2d | 0.01 g | 6.7 × 5.5 in (170 × 140 mm) | 8 × 8.8 × 2.1 in (202 × 224 × 54 mm) | 171989 | \$1,220.00 |
| SPX2202 | 2,200 g | 0.01 g | 2d | 0.01 g | 6.7 × 5.5 in (170 × 140 mm) | 8 × 8.8 × 2.1 in (202 × 224 × 54 mm) | 171990 | \$1,370.00 |
| SPX421 | 420 g | 0.1 g | 1d | 0.1 g | Ø 4.7 in (120 mm) | 8 × 8.8 × 2.1 in (202 × 224 × 54 mm) | 171991 | \$360.00 |
| SPX621 | 620 g | 0.1 g | 1d | 0.1 g | 6.7 × 5.5 in (170 × 140 mm) | 8 × 8.8 × 2.1 in (202 × 224 × 54 mm) | 171992 | \$535.00 |
| SPX2201 | 2,200 g | 0.1 g | 1d | 0.1 g | 6.7 × 5.5 in (170 × 140 mm) | 8 × 8.8 × 2.1 in (202 × 224 × 54 mm) | 171993 | \$680.00 |
| SPX6201 | 6,200 g | 0.1 g | 1d | 0.2 g | 6.7 × 5.5 in (170 × 140 mm) | 8 × 8.8 × 2.1 in (202 × 224 × 54 mm) | 171994 | \$1,110.00 |
| SPX8200 | 8,200 g | 1 g | 1d | 1 g | 6.7 × 5.5 in (170 × 140 mm) | 8 × 8.8 × 2.1 in (202 × 224 × 54 mm) | 171995 | \$555.00 |

BALANCES
OHAUS



SPX Round Pan

Scout® Series

| Model | Capacity | Readability | Repeatability | Linearity | Pan Size | Dimensions | Part # | List Price |
|--------------------------|----------|-------------|---------------|-----------|--------------------------------|---|--------|------------|
| Touchscreen Model | | | | | | | | |
| STX222 | 220 g | 0.01 g | 1d | 0.01 g | Ø 4.7 in (120 mm) | 8 × 8.8 × 2.1 in (202 × 224 × 54 mm) | 171999 | \$750.00 |
| STX422 | 420 g | 0.01 g | 1d | 0.01 g | Ø 4.7 in (120 mm) | 8 × 8.8 × 2.1 in (202 × 224 × 54 mm) | 172000 | \$1,050.00 |
| STX622 | 620 g | 0.01 g | 1d | 0.01 g | Ø 4.7 in (120 mm) | 8 × 8.8 × 2.1 in (202 × 224 × 54 mm) | 172001 | \$1,230.00 |
| STX1202 | 1,200 g | 0.01 g | 2d | 0.01 g | 6.7 × 5.5 in (170 × 140 mm) | 8 × 8.8 × 2.1 in (202 × 224 × 54 mm) | 172002 | \$1,400.00 |
| STX2202 | 2,200 g | 0.01 g | 2d | 0.01 g | 6.7 × 5.5 in (170 × 140 mm) | 8 × 8.8 × 2.1 in (202 × 224 × 54 mm) | 172003 | \$1,570.00 |
| STX421 | 420 g | 0.01 g | 1d | 0.01 g | Ø 4.7 in (120 mm) | 8 × 8.8 × 2.1 in (202 × 224 × 54 mm) | 172004 | \$425.00 |
| STX621 | 620 g | 0.1 g | 1d | 0.01 g | 6.7 × 5.5 in (170 × 140 mm) | 8 × 8.8 × 2.1 in (202 × 224 × 54 mm) | 172005 | \$635.00 |
| STX2201 | 2,200 g | 0.1 g | 1d | 0.01 g | 6.7 × 5.5 in (170 × 140 mm) | 8 × 8.8 × 2.1 in (202 × 224 × 54 mm) | 172006 | \$805.00 |
| STX6201 | 6,200 g | 0.1 g | 1d | 0.02 g | 6.7 × 5.5 in (170 × 140 mm) | 8 × 8.8 × 2.1 in (202 × 224 × 54 mm) | 172007 | \$1,270.00 |
| STX8200 | 8,200 g | 1 g | 1d | 0.01 g | 6.7 × 5.5 in (170 × 140 mm) | 8 × 8.8 × 2.1 in (202 × 224 × 54 mm) | 172008 | \$660.00 |

Options/Accessories

| Part # | Model # | Description | Price |
|--------|----------|------------------------------------|----------|
| 67413 | 80850080 | WinWedge™ TAL Software | \$575.00 |
| 181878 | 30330714 | Power supply, US plug, 110/220 VAC | \$36.00 |



STX Rectangular Pan

Valor® 3000 Xtreme Series

Standard Features

- Full 304 stainless steel housing with chemical resistant keypad
- Removable stainless steel weighing pan
- USDA approved
- Supports HACCP
- Resolutions up to 20,000d
- SmarText™ user interface
- Bright backlit LCD display
- Convenient up-front level device
- NSF listed
- NTEP 08-008A1 models available by special order

Specifications

Weighing Units:

Gram, kilogram, ounce, pound, decimal, pound/ounce, fractional ounces (see technical manual for complete listing)

Operating Modes:

Weighing, percent weighing, combined zero/tare, specific gravity

Power:

20 VAC adapter (9 VDC, 0.5 A), four 1.5 volt C batteries (not included)

Stabilization Time:

< 3 seconds

Battery Life:

V31XH202, V31XH402, V31X501:
50 hours with alkaline cells
V31XH2, V31X3, V31XH4, V31X6:
120 hours with alkaline cells

Protection Rating:

IP44 (non-washdown)

Calibration:

Digital external calibration

Temperature:

Operating:
0 °C to 40 °C (32 °F to 104 °F)

Est. Weight:

10 lb (4.8 kg)

Warranty:

One-year limited

Return Policy:

OHAUS standard policy - restock fee may apply

Approvals:

NSF



| Model | Capacity | Readability | Pan Size | Dimensions | Part # | List Price |
|----------|----------|-------------|--------------------------------|---|--------|------------|
| V31XH202 | 200 g | 0.01 g | 4.7 in (120 mm) | 8.5 × 7.3 × 3 in (218 × 186 × 72 mm) | 100283 | \$1,020.00 |
| V31XH402 | 400 g | 0.01 g | 4.7 in (120 mm) | 8.5 × 7.3 × 3 in (218 × 186 × 72 mm) | 117790 | \$1,390.00 |
| V31X501 | 500 g | 0.1 g | 4.7 in (120 mm) | 8.5 × 7.3 × 3 in (218 × 186 × 72 mm) | 117789 | \$750.00 |
| V31XH2 | 2 kg | 0.1 g | 5.8 × 6.2 in (146 × 158 mm) | 8.5 × 7.3 × 3 in (218 × 186 × 72 mm) | 100284 | \$1,020.00 |
| V31X3 | 3 kg | 1 g | 5.8 × 6.2 in (146 × 158 mm) | 8.5 × 7.3 × 3 in (218 × 186 × 72 mm) | 100285 | \$675.00 |
| V31XH4 | 4 kg | 0.1 g | 5.8 × 6.2 in (146 × 158 mm) | 8.5 × 7.3 × 3 in (218 × 186 × 72 mm) | 117792 | \$1,390.00 |
| V31X6 | 6 kg | 1 g | 5.8 × 6.2 in (146 × 158 mm) | 8.5 × 7.3 × 3 in (218 × 186 × 72 mm) | 100286 | \$675.00 |

Options/Accessories

| Part # | Model # | Description | Price |
|--------|----------|--|----------|
| 103119 | 80251216 | Hardshell carrying case for FD and Valor | \$180.00 |
| 102756 | 80251147 | Sandwich pan, 11 in × 5.9 in (280 × 150 mm) | \$115.00 |
| 102757 | 80251148 | French fries holder pan | \$115.00 |
| 102758 | 80251149 | Ice cream cone holder | \$115.00 |
| 100292 | 80250954 | Stainless steel scoop 17.2 × 11 × 3.4 in (44 × 28 × 8.5 cm) | \$89.00 |
| 97250 | 80250400 | Stainless steel scoop 11.9 × 7.4 × 1.7 in (30 × 18.7 × 4.3 cm) | \$98.00 |



BALANCES
OHAUS

Valor® 3000 Xtreme Series Washdown

Standard Features

- Full 304 stainless steel housing with chemical resistant keypad
- Removable stainless steel weighing pan
- USDA approved
- Supports HACCP

Specifications

Weighing Units:

Gram, kilogram, decimal ounce, fractional ounces, pound/ounces (see technical manual for complete listing)

Operating Modes:

Weighing, percent weighing, combined zero/tare, specific gravity

Power:

120 VAC adapter (9 VDC, 0.5 A), four 1.5 Volt C batteries (not included)

Stabilization Time:

Approx. 3 seconds

Battery Life:

V31XW301 and V31XW3: 50 hours with alkaline cells
V31XW6: 120 hours with alkaline cells

Protection Rating:

IP65

Calibration:

Digital external calibration

Temperature:

Operating:
0 °C to 40 °C (32 °F to 104 °F)

Est. Weight:

10 lb (4.8 kg)

Warranty:

One-year limited

Return Policy:

OHAUS standard policy - restock fee may apply

Approvals:

NTEP 08-008A1



| Model | Capacity | Resolution | Pan Size | Dimensions | Part # | List Price |
|-----------------------|----------|------------|--------------------------------|---|--------|------------|
| V31XW301 | 300 g | 0.1 g | 5.8 × 6.2 in (146 × 158 mm) | 8.5 × 7.3 × 3 in (218 × 186 × 72 mm) | 100287 | \$790.00 |
| NTEP Certified | | | | | | |
| V31XW3 | 3 kg | 1 g | 5.8 × 6.2 in (146 × 158 mm) | 8.5 × 7.3 × 3 in (218 × 186 × 72 mm) | 100288 | \$775.00 |
| V31XW6 | 6 kg | 2 g | 5.8 × 6.2 in (146 × 158 mm) | 8.5 × 7.3 × 3 in (218 × 186 × 72 mm) | 100289 | \$775.00 |

Options/Accessories

| Part # | Model # | Description | Price |
|--------|----------|--|----------|
| 103119 | 80251216 | Hardshell carrying case | \$180.00 |
| 102756 | 80251147 | Sandwich pan, 11 × 5.9 in (280 × 150 mm) | \$115.00 |
| 102757 | 80251148 | French fries holder pan | \$115.00 |
| 102758 | 80251149 | Ice cream cone holder | \$115.00 |
| 100292 | 80250954 | Stainless steel scoop 17.2 × 11 × 3.4 in (44 × 28 × 8.5 cm) | \$89.00 |
| 97250 | 80250400 | Stainless steel scoop 11.9 × 7.4 × 1.7 in (30 × 18.7 × 4.3 cm) | \$98.00 |



**BALANCES
OHAUS**

Valor® 2000 Series Washdown

Standard Features

- Front and rear dual display, 0.8 in (20.5 mm)
- Removable stainless steel platform cover
- Fast 0.5 second stabilization time
- SmartText™ interface
- Knife-proof keypad

Specifications

Weighing Units:

Grams, kilograms, pounds, ounces, pound/ounce

Operating Modes:

Weigh, checkweigh

Power:

Universal AC adapter, 12 VDC 0.7 A internal rechargeable lead acid battery

Stabilization Time:

Approx. 1 second

Battery Life:

50 hours with 1 hour recharge time

Protection Rating:

IPX8

Safe Overload:

150% of capacity

Calibration:

Digital external calibration

Temperature:

Operating:
-10 °C to 40 °C (14 °F to 104 °F)

Est. Weight:

8.6 lb (3.9 kg)

Warranty:

One-year limited

Return Policy:

OHAUS standard policy - restock fee may apply

| Model | Capacity | Readability | Pan Size | Dimensions | Part # | List Price |
|-----------|----------|-------------|--------------------------------|--|--------|------------|
| V22XWE3T | 3 kg | 0.5 g | 7.5 × 9.5 in (242 × 190 mm) | 10.1 × 11.3 × 4.9 in (256 × 288 × 124 mm) | 102771 | \$710.00 |
| V22XWE6T | 6 kg | 1 g | 7.5 × 9.5 in (242 × 190 mm) | 10.1 × 11.3 × 4.9 in (256 × 288 × 124 mm) | 102772 | \$710.00 |
| V22XWE15T | 15 kg | 2 g | 7.5 × 9.5 in (242 × 190 mm) | 10.1 × 11.3 × 4.9 in (256 × 288 × 124 mm) | 102773 | \$710.00 |

Options/Accessories

| Part # | Model # | Description | Price |
|--------|----------|---|---------|
| 97250 | 80250400 | Stainless steel scoop 11.9 × 7.4 × 1.7 in (30 × 18.7 × 4.3 cm) | \$98.00 |
| 100292 | 80250954 | Stainless steel scoop 17.2 × 11 × 3.4 in (44 × 28 × 8.5 cm) | \$89.00 |



Compass CX Series

Standard Features

- Superior RF protection
- Reliable, stable results
- CE listed and FCC Class B Part 15 operation
- Large, removable stainless steel weighing platform
- Low-profile design
- Easy operation
- Low-battery indicator
- Automatic shutoff
- Overload protection
- Push-button calibration
- P models: postal chart included

Specifications

Weighing Units:

Grams, pound/ounce, newton

Operating Modes:

Weighing

Power:

3 AA alkaline batteries (included) or AC adapter (not included)

Battery Life:

1,000 hours

Stabilization Time:

CX221, CX621: 1.5 seconds
 CX1201: 2 seconds
 CX2200, CX5200, CX221P, CX2200P, CX5200P: 1.5 seconds

Calibration Weight:

CX221: 200 g
 CX621: 500 g
 CX1201, CX2200: 1 kg
 CX5200: 2 kg

Temperature:

Operating:
 18 °C to 25 °C (64 °F to 77 °F)

Est. Weight:

0.91 lb (0.47 kg)

Warranty:

One-year limited

Return Policy:

OHAUS standard policy - restock fee may apply

Approvals:

CE Approved



| Model | Capacity | Readability | Repeatability | Linearity | Pan Size | Dimensions | Part # | List Price |
|---------|----------|-------------|---------------|-----------|------------------------------|---|--------|------------|
| CX221 | 220 g | 0.1 g | 0.1 g | ±0.1 g | 5 × 5.6 in (127 × 142 mm) | 5.3 × 7.9 × 1.6 in (135 × 201 × 41 mm) | 195245 | \$215.00 |
| CX621 | 620 g | 0.1 g | 0.1 g | ±0.1 g | 5 × 5.6 in (127 × 142 mm) | 5.3 × 7.9 × 1.6 in (135 × 201 × 41 mm) | 195246 | \$220.00 |
| CX1201 | 1,200 g | 0.1 g | 0.1 g | ±0.1 g | 5 × 5.6 in (127 × 142 mm) | 5.3 × 7.9 × 1.6 in (135 × 201 × 41 mm) | 195247 | \$235.00 |
| CX2200 | 2,200 g | 1 g | 1 g | ±1 g | 5 × 5.6 in (127 × 142 mm) | 5.3 × 7.9 × 1.6 in (135 × 201 × 41 mm) | 195248 | \$215.00 |
| CX5200 | 5,200 g | 1 g | 1 g | ±1 g | 5 × 5.6 in (127 × 142 mm) | 5.3 × 7.9 × 1.6 in (135 × 201 × 41 mm) | 195249 | \$250.00 |
| CX221P | 220 g | 0.1 g | 0.1 g | ±0.1 g | 5 × 5.6 in (127 × 142 mm) | 5.3 × 7.9 × 1.6 in (135 × 201 × 41 mm) | 195250 | \$230.00 |
| CX2200P | 2,200 g | 1 g | 1 g | ±1 g | 5 × 5.6 in (127 × 142 mm) | 5.3 × 7.9 × 1.6 in (135 × 201 × 41 mm) | 195251 | \$230.00 |
| CX5200P | 5,200 g | 1 g | 1 g | ±1 g | 5 × 5.6 in (127 × 142 mm) | 5.3 × 7.9 × 1.6 in (135 × 201 × 41 mm) | 195252 | \$250.00 |

Options/Accessories

| Part # | Model # | Description | Price |
|--------|----------|------------------|---------|
| 195254 | 30467763 | Carrying case | \$88.00 |
| 181878 | 30330714 | US power adapter | \$36.00 |
| 195256 | 30333865 | AU power adapter | \$37.00 |
| 195257 | 30333866 | EU power adapter | \$37.00 |
| 195258 | 30333867 | UK power adapter | \$37.00 |
| 70434 | 80850075 | Bowl, 1,050 mL | \$74.00 |



**BALANCES
OHAUS**

Compass CR Series

Standard Features

- Basic weighing with simple 2-button keypad
- Superior RF protection
- Large weighing platform
- Stackable design with integrated shipping lock
- Low battery indicator
- Auto shut-off feature
- Mechanical and software overload protection
- External push-button calibration

Specifications

Weighing Units:

Grams, pound/ounces, pennyweight, troy ounces

Operating Modes:

Weighing

Power:

Three AA batteries (included)
(AC adapter is optional)

Stabilization Time:

Approx. 3 seconds

Battery Life:

300 hours

Calibration Weight:

CR221: 200 g

CR621: 500 g

CR2200: 1 kg

CR5200: 2 kg

Temperature:

Operating:

18 °C to 25 °C (65 °F to 77 °F)

Est. Weight:

0.875 lb (0.4 kg)

Warranty:

One-year limited

Return Policy:

OHAUS standard policy - restock fee may apply

| Model | Capacity | Readability | Repeatability | Linearity | Pan Size | Dimensions | Part # | List Price |
|--------|----------|-------------|---------------|-----------|------------------------------|---|--------|------------|
| CR221 | 220 g | 0.1 g | 0.1 g | ± 0.1 g | 5 × 5.2 in (127 × 132 mm) | 5.5 × 8.1 × 1.6 in (140 × 206 × 41 mm) | 195265 | \$155.00 |
| CR621 | 620 g | 0.1 g | 0.1 g | ± 0.1 g | 5 × 5.2 in (127 × 132 mm) | 5.5 × 8.1 × 1.6 in (140 × 206 × 41 mm) | 195266 | \$160.00 |
| CR2200 | 2,200 g | 1 g | 1 g | ± 1 g | 5 × 5.2 in (127 × 132 mm) | 5.5 × 8.1 × 1.6 in (140 × 206 × 41 mm) | 195267 | \$155.00 |
| CR5200 | 5,200 g | 1 g | 1 g | ± 1 g | 5 × 5.2 in (127 × 132 mm) | 5.5 × 8.1 × 1.6 in (140 × 206 × 41 mm) | 195268 | \$210.00 |

Options/Accessories

| Part # | Model # | Description | Price |
|--------|----------|----------------|---------|
| 194615 | 30467987 | Power adapter | \$53.00 |
| 195254 | 30467763 | Carrying case | \$88.00 |
| 70434 | 80850075 | Bowl, 1,050 mL | \$74.00 |



HH Series

Standard Features

- Large, 0.4 in (10.16 mm), high-contrast backlit liquid crystal display (LCD)
- Low-battery indicator
- Overload and underload indicators
- Automatic shutoff
- Protective snap-on cover
- Rugged plastic construction

Specifications

Weighing Units:

Grams, ounces, pennyweight, troy ounces

Operating Modes:

Weighing

Power:

Battery operated

Stabilization Time:

Approx. 3 seconds

Maximum Overload:

150% of capacity

Calibration:

HH1200: Factory set

HH120, HH320: Calibration with keypad

Est. Weight:

0.34 lb (0.16 kg)

Warranty:

One-year limited

Return Policy:

OHAUS standard policy - restock fee may apply

| Model | Capacity | Readability | Linearity | Pan Size | Dimensions | Part # | List Price |
|--------|------------|-------------|---------------|-------------------------------|--|--------|------------|
| HH120D | 60 g/120 g | 0.1 g/0.2 g | ±0.1 g/±0.2 g | 3.25 × 3.2 in (83 × 81 mm) | 5.35 × 3.25 × 0.8 in (136 × 83 × 20 mm) | 52541 | \$250.00 |
| HH120 | 120 g | 0.1 g | ±0.1 g | 3.25 × 3.2 in (83 × 81 mm) | 5.35 × 3.25 × 0.8 in (136 × 83 × 20 mm) | 64055 | \$222.00 |
| HH320 | 320 g | 0.1 g | ±0.2 g | 3.25 × 3.2 in (83 × 81 mm) | 5.35 × 3.25 × 0.8 in (136 × 83 × 20 mm) | 52540 | \$277.00 |



BALANCES
OHAUS

YA Series

Standard Features

- Smaller size than most pocket scales allows for a comfortable fit in your pocket
- Clamshell case designs and protects scale during transport
- Bright blue backlit LCD display
- Automatic shutoff

Specifications

Weighing Units:
Grams, ounces, carats, grains

Operating Modes:
Weighing

Power:
Two AAA batteries

Calibration:
External

Est. Weight:
0.3 lb

Warranty:
One-year limited

Return Policy:
OHAUS standard policy - restock fee may apply

| Model | Capacity | Readability | Repeatability | Part # | List Price |
|-------|----------|-------------|---------------|--------|------------|
| YA102 | 100 g | 0.01 g | 0.01 g | 103106 | \$150.00 |
| YA302 | 300 g | 0.05 g | 0.05 g | 103107 | \$130.00 |

Options/Accessories

| Part# | Model # | Description | Price |
|-------|---------|---|---------|
| 33454 | 4590-30 | Black scoop, aluminum 4 × 3.5 in (10.2 × 8.9 cm), weight 24 g | \$51.00 |



Valor® 1000 Series

Standard Features

- Removable stainless steel platform cover
- Mid-profile ABS plastic housing
- Front-mounted leveling device
- Compact footprint
- Fast response time
- Easy to clean

Specifications

Weighing Units:

Gram, kilogram, ounce, pound, pound/ounce

Operating Modes:

Weigh, accumulate, checkweigh

Power:

Universal AC adapter included (9 VDC 500 mA)
Four D Cell alkaline batteries (not included)

Stabilization Time:

Approx. 1.5 seconds

Battery Life:

1,500 hours (with/without backlight on)

Scale Overload:

120% of capacity

Decimal Ounce:

V12P3: 105 oz × 0.02 oz
V12P6: 210 oz × 0.05 oz
V12P15: 520 oz × 0.1 oz
V12P30: 1,058 oz × 0.5 oz

Decimal Pound:

V12P3: 6.6 lb × 0.001 lb
V12P6: 13 lb × 0.002 lb
V12P15: 33 lb × 0.01 lb
V12P30: 66 lb × 0.02 lb

Grams:

V12P3: 3,000 g × 0.5 g
V12P6: 6,000 g × 1 g
V12P15: 15,000 g × 2 g
V12P30: 30,000 g × 5 g

Temperature:

Operating:
32 °F to 104 °F (0 °C to 40 °C)

Humidity:

10% to 95% relative humidity non-condensing, up to 2.5 miles/4,000 m above sea level

Est. Weight:

8.8 lb (4.0 kg)

Warranty:

One-year limited

Return Policy:

OHAUS standard policy - restock fee may apply

Approvals:

NSF



| Model | Capacity | Readability | Pan Size | Dimensions | Part # | List Price |
|--------|----------|-------------|--------------------------------|--|--------|------------|
| V12P3 | 3 kg | 0.5 g | 7.5 × 9.8 in (190 × 250 mm) | 10.1 × 11 × 4.8 in (256 × 280 × 121 mm) | 205019 | \$270.00 |
| V12P6 | 6 kg | 1 g | 7.5 × 9.8 in (190 × 250 mm) | 10.1 × 11 × 4.8 in (256 × 280 × 121 mm) | 205020 | \$270.00 |
| V12P15 | 15 kg | 2 g | 7.5 × 9.8 in (190 × 250 mm) | 10.1 × 11 × 4.8 in (256 × 280 × 121 mm) | 205021 | \$270.00 |
| V12P30 | 30 kg | 5 g | 7.5 × 9.8 in (190 × 250 mm) | 10.1 × 11 × 4.8 in (256 × 280 × 121 mm) | 205023 | \$270.00 |

Options/Accessories

| Part # | Model # | Description | Price |
|--------|----------|---|---------|
| 97250 | 80250400 | Stainless steel scoop 11.9 × 7.4 × 1.7 in (30 × 18.7 × 4.3 cm) | \$98.00 |
| 100292 | 80250954 | Stainless steel scoop 17.2 × 11 × 3.4 in (44 × 28 × 8.5 cm) | \$89.00 |



BALANCES
OHAUS

Explorer® Series

Standard Features

- Touchless IR (infrared) sensors minimize keypad use
- Program IR sensor to control operations including print, tare and other selectable functions
- Color VGA, 5.7 in display with icons for simple menu navigation
- Multiple application modes designed for versatility
- AutoCal™ calibration
- Robust IP54 die-cast metal bottom housing with stainless steel pan
- ENERGY STAR qualified adapter
- Underweigh hook

Specifications

Weighing Units:

Gram, kilogram, ounce, pound, carat, pennyweight, grain (see technical manual for complete listing)

Operating Modes:

weighing, counting, animal/dynamic weighing, checkweighing, percent weighing, filling, parts counting, totalization, formulation, differential weighing, density determination, peak hold, ingredient costing, SQC

Power:

AC adapter input: 100 to 240 VAC 0.6 A 50/60 Hz

Stabilization Time:

Approx. 1 second

Calibration:

AutoCal™ at 1.5 °C temperature change, 11 hours, and external calibration

Temperature:

Operating: 14 °F to 140 °F (-10 °C to 60 °C)

Est. Weight:

25 lb (12.5 kg)

Warranty:

Two-year limited

Return Policy:

OHAUS standard policy - restock fee may apply

| Model | Capacity | Readability | Repeatability | Linearity | Pan Size | Dimensions | Part # | List Price |
|---------|----------|-------------|---------------|-----------|------------------------------------|---|--------|------------|
| Ex12001 | 12,000 g | 0.1 g | ±0.1 g | ±0.2 g | 14.84 × 12.24 in (377 × 311 mm) | 14.84 × 4.72 × 17.44 in (377 × 120 × 443 mm) | 157235 | \$5,075.00 |
| Ex24001 | 24,000 g | 0.1 g | ±0.1 g | ±0.2 g | 14.84 × 12.24 in (377 × 311 mm) | 14.84 × 4.72 × 17.44 in (377 × 120 × 443 mm) | 157236 | \$6,175.00 |
| Ex35001 | 35,000 g | 0.1 g | ±0.1 g | ±0.2 g | 14.84 × 12.24 in (377 × 311 mm) | 14.84 × 4.72 × 17.44 in (377 × 120 × 443 mm) | 157237 | \$7,225.00 |

Options/Accessories

| Part # | Model # | Description | Price |
|--------|----------|-------------------------------|----------|
| 157238 | 30078082 | Tower mount display | \$205.00 |
| 77712 | 80500524 | RS-232 cable, PC 25-pin to EX | \$260.00 |
| 70406 | 80500525 | RS-232 cable, PC 9-pin to EX | \$260.00 |
| 156234 | 46001724 | Multi-range AC adapter | \$67.00 |
| 156235 | 46001780 | International plug set | \$29.00 |



Triple Beam

Standard Features

- Notched and tiered beams for easy reading
- Positive poise positioning for repeatability
- Magnetically damped
- Zero adjust compensator
- Optional tare beam vernier dial

Specifications

Tare Range:

710-T0: 225 g
760-00: 225 g

Pan Design:

710-00: Stainless steel pan
710-T0: Stainless steel pan with tare
720-00: Polypropylene scoop
750-S0: Stainless steel plate
760-00: Stainless steel plate with tare
720-S0: Stainless steel scoop

Calibration:

Front beam: 10 × 0.1 g
Middle beam: 500 × 100 g
Rear beam: 100 × 10 g

Est. Weight:

8 lb

Warranty:

Five-year limited

Return Policy:

OHAUS standard policy - restock fee may apply

| Model | Capacity | Readability | Pan Size | Dimensions | Part # | List Price |
|--------|----------|-------------|--------------------------------|--|--------|------------|
| 710-00 | 610 g | 0.1 g | Ø 6 in (152 mm) | 18 × 12 × 9 in (457 × 305 × 229 mm) | 33350 | \$375.00 |
| 710-T0 | 610 g | 0.1 g | Ø 6 in (152 mm) | 18 × 12 × 9 in (457 × 305 × 229 mm) | 33351 | \$455.00 |
| 720-00 | 610 g | 0.1 g | - | 18 × 12 × 9 in (457 × 305 × 229 mm) | 33352 | \$440.00 |
| 750-S0 | 610 g | 0.1 g | Ø 6 in (152 mm) | 18 × 12 × 9 in (457 × 305 × 229 mm) | 33355 | \$210.00 |
| 760-00 | 610 g | 0.1 g | Ø 6 in (152 mm) | 18 × 12 × 9 in (457 × 305 × 229 mm) | 33357 | \$385.00 |
| 720-S0 | 610 g | 0.1 g | - | 18 × 12 × 9 in (457 × 305 × 229 mm) | 33353 | \$510.00 |
| 730-00 | 610 g | 0.1 g | - | 18 × 12 × 9 in (457 × 305 × 229 mm) | 33354 | \$550.00 |
| TP2611 | 2,610 g | 0.1 g | 5.8 × 5.8 in (147 × 147 mm) | 18 × 12 × 9 in (457 × 305 × 229 mm) | 103109 | \$295.00 |

Options/Accessories

| Part # | Model # | Description | Price |
|--------|----------|---|----------|
| 33417 | 80780011 | Rod and clamp assembly | \$98.00 |
| 33447 | 80780015 | Stainless steel scoop, 12 × 6 × 2.75 in (304 × 152 × 70 mm) footed and counterweighted for balance without tare | \$175.00 |
| 33463 | 80780017 | Vinyl dust cover | \$39.00 |
| 33414 | 80780108 | Attachment weight set, metric | \$96.00 |



TP2611



Triple Beam Pro with Attachment Weight

BALANCES
OHAUS

Harvard Trip Balance

Standard Features

- Highly versatile, rugged and accurate
- Two-pan design ideal for comparative weighing
- Built-in sliding masses
- Roberval principle
- Magnetic damping
- Comparative weighing

Specifications

Pan Design:
Two pan design; stainless steel plate

Calibration:
Top beam: 10 × 0.1 lb
Bottom beam: 200 × 10 g

Warranty:
Five-year limited

Return Policy:
OHAUS standard policy - restock fee may apply

| Model | Capacity | Readability | Pan Size | Dimensions | Part # | List Price |
|---------|----------|-------------|------------------|---|--------|------------|
| 1450-SD | 2,000 g | 0.1 g | 6 in (152 mm) | 25 × 18 × 22 in (160 × 240 × 140 mm) | 33364 | \$500.00 |
| 1550-SD | 2,000 g | 0.1 g | 6 in (152 mm) | 25 × 18 × 22 in (160 × 240 × 140 mm) | 33367 | \$535.00 |
| 1560-SD | 2,000 g | 0.1 g | 6 in (152 mm) | 25 × 18 × 22 in (160 × 240 × 140 mm) | 33368 | \$560.00 |

Options/Accessories

| Part# | Model# | Description | Price |
|-------|----------|------------------------|---------|
| 33461 | 80850262 | Vinyl dust cover | \$39.00 |
| 33417 | 80780011 | Rod and clamp assembly | \$98.00 |



Dial-O-Gram[®] and Cent-O-Gram[®]

Standard Features

- 0.01 g or 0.1 g sensitivity
- Equipped for specific gravity weighing
- Four-tiered notched beams
- Easy-to-read vernier dial on model 310
- See-through poise on model 311
- High precision and remarkable value
- Three-point beam eliminates need for level adjustment
- Quick zeroing with zero adjust knob

Specifications

Operating Modes:

- 310-00: Dial
- 311-00: Poise

Platform:

- Stainless steel (removable)
- 3.5 × 0.5 in (89 × 13 mm)

Calibration:

- Front beam: 225 g tare
- Middle beam: 500 × 100 g
- Rear beam: 100 × 10 g
- Dial: 10 × 0.1 g

Est. Weight:

5 lb (2.3 kg)

Warranty:

Five-year limited

Return Policy:

OHAUS standard policy - restock fee may apply

| Model | Capacity | Readability | Pan Size | Part # | List Price |
|----------|----------|-------------|---------------|--------|------------|
| 310-00 | 310 g | 0.01 g | 6 in (152 mm) | 33371 | \$540.00 |
| 311-00 | 311 g | 0.01 g | 6 in (152 mm) | 33370 | \$450.00 |
| 1650-00* | 610 g | 0.1 g | 6 in (152 mm) | 33361 | \$480.00 |
| 1650-WO* | 2,610 g | 0.1 g | 6 in (152 mm) | 33362 | \$555.00 |
| 1610-00* | 610 g | 0.1 g | 6 in (152 mm) | 33360 | \$555.00 |

Options/Accessories

| Part # | Model # | Description | Price |
|---|----------|--|---------|
| 33420 | 80780018 | Test tube kit | \$54.00 |
| 33462 | 80780005 | Vinyl dust cover | \$39.00 |
| Additional OHAUS Mechanical Balance Accessories | | | |
| 33414 | 80780108 | Metric attachment mass set | \$96.00 |
| 33454 | 80250048 | Black scoop, aluminum, 4 in × 3.5 in (102 × 89 mm) | \$51.00 |



BALANCES
OHAUS

Field Test Scale

Standard Features

- Affordable compact industrial scale
- Large, stabilized pan can hold oversized samples without tipping
- Readings up to 500 g are taken from a single sliding-weight beam, while a set of slotted weights, stored in the base, can extend the capacity up to 36 lb

Specifications

Operating Modes:
Poise

Platform:
11 in (279 mm)

Calibration:
Bottom beam: 500 × 5 g
Top beam: 1 × 0.01 lb

Est. Weight:
12 lb (5.4 kg)

Warranty:
Five-year limited

Return Policy:
OHAUS standard policy - restock fee may apply

| Model | Capacity | Readability | Pan Size | Part # | List Price |
|---------|----------|-------------|----------------|--------|------------|
| 2400-11 | 16 kg | 5 g | 11 in (279 mm) | 33379 | \$1,990.00 |
| 2400-12 | 36 lb | 0.01 lb | 11 in (279 mm) | 33380 | \$2,060.00 |



Heavy Duty Solution

Standard Features

- Sets an industry standard for precision in high-capacity weighing
- Durable enough to resist corrosion
- Sensitive enough to weigh with a feather's touch
- Large stainless steel platform
- Lockable tare for containers up to 2,270 g
- Self-aligning bearings assure a long, maintenance-free life

Specifications

Operating Modes:
Poise

Platform:
11 in (279 mm)

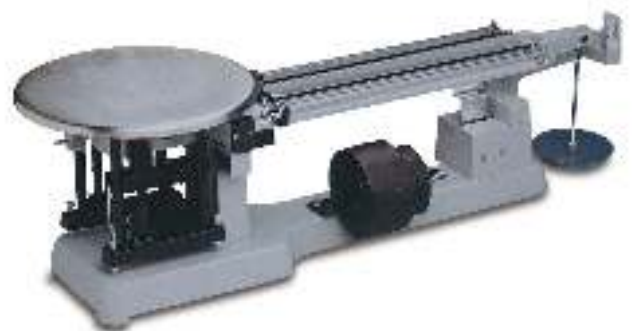
Calibrations:
Front beam: 100 × 1 g
Rear beam: 1,000 × 100 g

Est. Weight:
42 lb

Warranty:
Five-year limited

Return Policy:
OHAUS standard policy - restock fee may apply

| Model | Capacity | Readability | Pan Size | Part # | List Price |
|---------|----------|-------------|----------------|--------|------------|
| 1119-DO | 20 kg | 1 g | 11 in (279 mm) | 33378 | \$2,912.00 |



BALANCES
OHAUS

MB Series

Standard Features

- Fast halogen heating element provides uniform infrared heating and durability for extended use
- Superior weighing performance with readability up to 0.001 g, 0.01% moisture
- Powerful software for simple operation
- Large, backlit liquid crystal display (LCD) for easy viewing (MB23, MB27)
- Bright, easy-to-read touchscreen display (MB90, MB120)
- GLP/GMP compliant format when printed results are required
- RS-232 interface for connecting to printer or PC
- Multi-language display text (English, Spanish, French)

Specifications

Moisture Range:

110 g: 0.1% to 100%
 90 g: 0.05% to 100%
 90 g: 0.01% to 100%
 120 g: 0.01% to 100% (0.01% to 100% for regain mode)

Power:

120 VAC Adapter

Heater Type:

110 g: Infrared (no glass)
 90 to 120 g: Halogen

Timer:

110 to 90 g: 1 to 99 minutes in 30 seconds to 60 minute increments
 90 g: 1 to 120 minutes in 30 seconds to 60 minute increments, 1 minute increments from 60 to 120 minutes
 120 g: 1 to 120 minutes in 10 second increments

Temperature:

Operating:
 110 to 90 g: 41 °F to 104 °F (5 °C to 40 °C)
 90 to 120 g: 50 °F to 104 °F (10 °C to 40 °C)

Est. Weight:

14 lb (6.3 kg)

Warranty:

Two-year limited

Return Policy:

OHAUS standard policy - restock fee may apply

| Model | Capacity | Readability | Repeatability | Pan Size | Dimensions | Part # | List Price |
|----------|----------|-------------|--|---------------------|---|--------|------------|
| 83999801 | 110 g | 0.01 g | 3 g sample-0.3% 10 g sample-0.1% | 3.5 in (Ø 90 mm) | 7.5 × 6.0 × 14 in (191 × 152 × 356 mm) | 109522 | \$3,825.00 |
| 30251683 | 90 g | 0.001 g | 3 g sample-0.2% 10 g sample-0.05% | 3.5 in (Ø 90 mm) | 6.5 × 5 × 11 in (165 × 127 × 279 mm) | 178254 | \$3,825.00 |
| 30241164 | 90 g | 0.001 g | 3 g sample-0.18% 10 g sample-0.02% | 3.5 in (Ø 90 mm) | 8.3 × 7.7 × 14 in (211 × 196 × 356 mm) | 178255 | \$5,125.00 |
| 30241165 | 120 g | 0.001 g | 3 g sample-0.05% 10 g sample-0.015% | 3.5 in (Ø 90 mm) | 8.3 × 7.7 × 14 in (211 × 196 × 356 mm) | 178256 | \$6,500.00 |

Options/Accessories

| Part # | Model # | Description | Price |
|--------|----------|-------------------------------------|----------|
| 70401 | 11113857 | Temperature calibration kit | \$785.00 |
| 70402 | 80850087 | Pads, glass fiber, 200/box | \$140.00 |
| 70403 | 80850086 | Sample pans, 80/box, 90 mm diameter | \$88.00 |
| 70404 | 80850088 | Reusable sample pans, 3/box | \$270.00 |
| 70406 | 80500525 | Cable, 9-pin serial extension | \$260.00 |
| 191875 | 80850043 | Security device | \$310.00 |
| 67413 | 80850080 | WinWedge® TAL Software | \$575.00 |



BALANCES
OHAUS

Cubis® II Series MCA

Standard Features

- Large, high-end, 7 in color touchscreen TFT display in 16:9 format
- Modular design
- User configurable and custom designed to meet changing applications
- Meets advanced Pharma compliance including user/password management for security, audit trail function logs and integrated alibi memory
- RS-232 interface for connecting to printer or PC
- M/DH models: Automatic glass draft shield
- F models: Manual stainless steel draft shield

Specifications

Weighing Units:

Milligram, gram, kilogram, ounce, pound, carat, pennyweight, troy ounce, grain, newton pound/ounce, micrograms (see technical manual for complete listing)

Operating Modes:

Mass unit conversion, SQ min function, ISO-cal function, Density determination (buoyancy method only with MSE), calculation, averaging, formulation, percent weighing, totalizing, counting, customized identification, statistics, time control function, second tare memory, over/under checkweighing

Power:

120 VAC adapter auto ranging

Stabilization Time:

2.7S-2S00-M/F: 7 seconds
6.6S-2S00-M/F, 3.6P-2S00-M: 5 seconds
66S-000-DH, 66P-000-DH, 36S-000-DH, 36P-000-DH: 3.5 seconds

Calibration Weight:

2.7S-2S00-M/F: 2 g
6.6S-2S00-M/F: 5 g
3.6P-2S00-M: 3 g
66S-000-DH, 66P-000-DH: 50 g (E2)
36S-000-DH, 36P-000-DH: 20 g (E2)

Weighing Chamber:

(W × D × H)
8 × 8 × 10.2 in
(205 × 205 × 261 mm)

Temperature:

Operating:
5 °C to 40 °C (41 °F to 104 °F)

Est. Weight:

30 lb

Warranty:

Ten-year limited

Return Policy:

Sartorius standard policy - restock fee may apply

| Model | Capacity | Readability | Repeatability | Linearity | Pan Size | Dimensions | Part # | List Price |
|------------------|-------------------------|----------------------------------|----------------------------|-----------|---------------------------------|--|--------|-------------|
| Cubis II | | | | | | | | |
| MCA2.7S- 2S00-M | 2.1 g | 0.0001 mg | 0.25 µg | 0.9 µg | Ø 0.8 in (20 mm) | 7.55 × 12.72 × 3.46 in (192 mm × 323 mm × 88 mm) Chamber Height: 2.75 in (70 mm) | 195682 | \$47,565.00 |
| MCA2.7S- 2S00-F | 2.1 g | 0.0001 mg | 0.25 µg | 0.9 µg | Ø 1.9 in (50 mm) | 7.55 × 12.72 × 3.46 in (192 mm × 323 mm × 88 mm) Chamber Height: 0.6 in (15 mm) H | 195685 | \$48,840.00 |
| MCA6.6S- 2S00-M | 6.1 g | 0.001 mg | 0.001 mg | 4 µg | Ø 1.2 in (30 mm) | 7.55 × 12.72 × 3.46 in (192 mm × 323 mm × 88 mm) Chamber Height: 2.75 in (70 mm) | 195687 | \$37,400.00 |
| MCA6.6S- 2S00-F | 6.1 g | 0.001 mg | 0.001 mg | 4 µg | Ø 1.9 in (50 mm) | 7.55 × 12.72 × 3.46 in (192 mm × 323 mm × 88 mm) Chamber Height: 0.6 in (15 mm) | 195690 | \$38,675.00 |
| MCA3.6P- 2S00-M | 1.1 g 2.1 g 3.1 g | 0.001 mg 0.002 mg 0.005 mg | 0.003 0.004 0.005 mg | 4 µg | Ø 1.2 in (30 mm) | 7.55 × 12.72 × 3.46 in (192 mm × 323 mm × 88 mm) Chamber Height: 2.75 in (70 mm) | 195692 | \$28,840.00 |
| Cubis I | | | | | | | | |
| MCA66SI-S00-3 | 61 g | 0.001 mg | 0.0015 mg 0.004 mg | 0.020 mg | 1.18 in / 1.97 in (30 mm/50 mm) | 7.55 × 12.72 × 3.46 in (192 mm × 323 mm × 88 mm) Chamber Height: 7.13 in (181 mm) | 223107 | \$50,275.00 |
| MCA66P-3S00-DMDS | 12 g 61 g | 0.001 mg 0.01 mg | 0.002 mg 0.010 mg | 0.020 mg | 1.18 in / 1.97 in (30 mm/50 mm) | 7.55 × 12.72 × 3.46 in (192 mm × 323 mm × 88 mm) Chamber Height: 7.13 in (181 mm) | 223108 | \$43,650.00 |
| MCA36S-3S00-MDS | 32 g | 0.001 mg | 0.0015 mg 0.002 mg | 0.015 mg | 1.18 in (30 mm) | 7.55 × 12.72 × 3.46 in (192 mm × 323 mm × 88 mm) Chamber Height: 7.13 in (181 mm) | 223109 | \$41,560.00 |
| MCA36P-3S00-MDS | 10.1 g 32 g | 0.001 mg 0.01 mg | 0.0015 mg 0.008 mg | 0.015 mg | 1.18 in (30 mm) | 7.55 × 12.72 × 3.46 in (192 mm × 323 mm × 88 mm) Chamber Height: 7.13 in (181 mm) | 223110 | \$35,460.00 |

Options/Accessories

| Part # | Model # | Description | Price |
|---------|---------|--|----------|
| Consult | IP | Additional RS-232, 9-pin connection with PS/2 port (factory installed) | Consult |
| 156906 | 6971987 | Power supply, 100 to 240 V | \$260.00 |
| 156908 | 6900900 | Cord, power 220 V EU | \$50.00 |



Cubis® II Series MCE

Standard Features

- State-of-the-art, TFT touchscreen operation
- Fast stabilization time
- Modular design
- User configurable and custom designed to meet changing applications
- Meets advanced Pharma compliance including user/password management for security, audit trail function logs and integrated alibi memory
- RS-232 and USB communication
- Underweigh hook

Specifications

Weighing Units:

Milligram, gram, kilogram, ounce, pound, carat, pennyweight, troy ounce, grain, newton pound/ounce, micrograms (see technical manual for complete listing)

Operating Modes:

Mass unit conversion, SQ min function, ISO-cal function, density determination (buoyancy method only with MSE), calculation, averaging, formulation, percent weighing, totalizing, counting, customized identification, Statistics, time control function, second tare memory, over/under checkweighing

Power:

120 VAC adapter auto ranging

Stabilization Time:

2.7S-2S00-M/F: 7 seconds
6.6S-2S00-M/F, 3.6P-2S00-M: 5 seconds

Calibration Weight:

2.7S-2S00-M/F: 2 g
6.6S-2S00-M/F: 5 g
3.6P-2S00-M: 3 g

Temperature:

Operating:
5 °C to 40 °C (41 °F to 104 °F)

Est. Weight:

30 lb

Warranty:

Ten-year limited

Return Policy:

Sartorius standard policy - restock fee may apply

| Model | Capacity | Readability | Repeatability | Linearity | Pan Size | Dimensions | Part # | List Price |
|-----------------|-------------------------|----------------------------------|----------------------------------|-----------|------------------|---|--------|-------------|
| MCE2.7S- 2S00-M | 2.1 g | 0.0001 mg | 0.25 µg | 0.9 µg | Ø 0.8 in (20 mm) | 7.55 × 12.72 × 3.46 in (192 mm × 323 mm × 88 mm) Chamber Height: 2.75 in (70 mm) | 195680 | \$46,570.00 |
| MCE2.7S- 2S00-F | 2.1 g | 0.0001 mg | 0.25 µg | 0.9 µg | Ø 1.9 in (50 mm) | 7.55 × 12.72 × 3.46 in (192 mm × 323 mm × 88 mm) Chamber Height: 0.6 in (15 mm) | 195683 | \$47,850.00 |
| MCE6.6S- 2S00-M | 6.1 g | 0.001 mg | 0.001 mg | 4 µg | Ø 1.2 in (30 mm) | 7.55 × 12.72 × 3.46 in (192 mm × 323 mm × 88 mm) Chamber Height: 2.75 in (70 mm) | 195686 | \$36,410.00 |
| MCE6.6S- 2S00-F | 6.1 g | 0.001 mg | 0.001 mg | 4 µg | Ø 1.9 in (50 mm) | 7.55 × 12.72 × 3.46 in (192 mm × 323 mm × 88 mm) Chamber Height: 0.6 in (15 mm) | 195689 | \$37,685.00 |
| MCE3.6P- 2S00-M | 1.1 g 2.1 g 3.1 g | 0.001 mg 0.002 mg 0.005 mg | 0.003 mg 0.004 mg 0.005 mg | 4 µg | Ø 1.2 in (30 mm) | 7.55 × 12.72 × 3.46 in (192 mm × 323 mm × 88 mm) Chamber Height: 2.75 in (70 mm) | 195693 | \$27,845.00 |

Options/Accessories

| Part # | Model # | Description | Price |
|---------|---------|--|----------|
| Consult | IP | Additional RS-232, 9-pin connection with PS/2 port (factory installed) | Consult |
| 156906 | 6971987 | Power supply, 100 to 240 V | \$260.00 |
| 156908 | 6900900 | Cord, power 220 V EU | \$50.00 |



**BALANCES
SARTORIUS**

Cubis® II MCA Series

Standard Features

- Large, high-end, 7 in color touchscreen TFT display in 16:9 format
- Modular design
- User configurable and custom designed to meet changing applications
- Meets advanced Pharma compliance including user/password management for security, audit trail function logs and integrated alibi memory
- RS-232 and USB communication
- Easy cleaning by removing glass doors
- Manual glass draft shield
- Underweigh hook

Specifications

Weighing Units:

Milligram, gram, kilogram, ounce, pound, carat, pennyweight, troy ounce, grain, newton pound/ounce, micrograms (see technical manual for complete listing)

Operating Modes:

Mass unit conversion, SQ nin function, ISO-cal function, density determination (buoyancy method only with MSE), calculation, averaging, formulation, percent weighing, totalizing, counting, customized identification, statistics, time control function, second tare memory, over/under checkweighing

Power:

120 VAC adapter auto ranging

Stabilization Time:

2 seconds

Calibration Weight:

225S, 225P: 200 g
125P: 100 g

Temperature:

Operating:
5 °C to 40 °C (41 °F to 104 °F)

Est. Weight:

30 lb

Warranty:

Ten-year limited

Return Policy:

Sartorius standard policy - restock fee may apply

| Model | Capacity | Readability | Repeatability | Linearity | Pan Size | Weighing Chamber | Dimensions | Part # | List Price |
|---------|------------------------|-------------------------------|---------------------|-----------|------------------------------|---|--|--------|-------------|
| MCA225S | 220 g | 0.01 mg | 0.025 mg | 0.1 mg | 3.3 × 3.3 in (85 × 85 mm) | 8 × 8 × 10.2 in (205 × 205 × 261 mm) | 16 × 9.8 × 14.6 in (410 × 249 × 370 mm) | 195698 | \$16,300.00 |
| MCA225P | 60 g 120 g 220 g | 0.01 mg 0.02 mg 0.05 mg | 0.015 mg 0.04 mg | 0.15 mg | 3.3 × 3.3 in (85 × 85 mm) | 8 × 8 × 10.2 in (205 × 205 × 261 mm) | 16 × 9.8 × 14.6 in (410 × 249 × 370 mm) | 195802 | \$14,190.00 |
| MCA125P | 60 g 120 g | 0.01 mg 0.1 mg | 0.015 mg 0.06 mg | 0.15 mg | 3.3 × 3.3 in (85 × 85 mm) | 8 × 8 × 10.2 in (205 × 205 × 261 mm) | 16 × 9.8 × 14.6 in (410 × 249 × 370 mm) | 195803 | \$10,240.00 |

Options/Accessories

| Part # | Model # | Description | Price |
|---------|---------|---|----------|
| Consult | DA | Automatic motorized draft shield for analytical balances (factory installed) | Consult |
| Consult | DI | Automatic motorized draft shield for analytical balances, with integrated ionizer (factory installed) | Consult |
| Consult | TR | Certificate of compliance and full factory test report (factory installed) | Consult |
| Consult | IR | Additional RS-232, 25-pin connection (factory installed) | Consult |
| 156906 | 6971987 | Power supply, 100 to 240 V | \$260.00 |
| 156908 | 6900900 | Cord, power 220 V EU | \$50.00 |
| Consult | IP | Additional RS-232, 9-pin connection with PS/2 port | Consult |



Cubis® II MCE Series

Standard Features

- State-of-the-art, TFT touchscreen operation
- Modular design
- User configurable and custom designed to meet changing applications
- Meets advanced Pharma compliance including user/password management for security, audit trail function logs and integrated alibi memory
- RS-232 and USB communication
- Easy cleaning by removing glass doors
- Manual glass draft shield
- Underweigh hook

Specifications

Weighing Units:

Milligram, gram, kilogram, ounce, pound, carat, pennyweight, troy ounce, grain, newton pound/ounce, micrograms (see technical manual for complete listing)

Operating Modes:

Mass unit conversion, SQ min function, ISO-cal function, density determination (buoyancy method only with MSE), calculation, averaging, formulation, percent weighing, totalizing, counting, customized identification, Statistics, time control function, second tare memory, over/under checkweighing

Power:

120 VAC adapter auto ranging

Stabilization Time:

225S, 225P, 125P: 2 seconds

Calibration Weight:

225S, 225P: 200 g

125P: 100 g

Temperature:

Operating:
5 °C to 40 °C (41 °F to 104 °F)

Est. Weight:

30 lb

Warranty:

Ten-year limited

Return Policy:

Sartorius standard policy - restock fee may apply

| Model | Capacity | Readability | Repeatability | Linearity | Pan Size | Weighing Chamber | Dimensions | Part # | List Price |
|---------|------------------------|-------------------------------|---------------------|-----------|------------------------------|---|--|--------|-------------|
| MCE225S | 220 g | 0.01 mg | 0.025 mg | 0.1 mg | 3.3 × 3.3 in (85 × 85 mm) | 8 × 8 × 10.2 in (205 × 205 × 261 mm) | 16 × 9.8 × 14.6 in 410 × 249 × 370 mm | 195694 | \$16,625.00 |
| MCE225P | 60 g 120 g 220 g | 0.01 mg 0.02 mg 0.05 mg | 0.015 mg 0.04 mg | 0.15 mg | 3.3 × 3.3 in (85 × 85 mm) | 8 × 8 × 10.2 in (205 × 205 × 261 mm) | 16 × 9.8 × 14.6 in 410 × 249 × 370 mm | 195797 | \$14,350.00 |
| MCE125P | 60 g 120 g | 0.01 mg 0.1 mg | 0.015 mg 0.06 mg | 0.15 mg | 3.3 × 3.3 in (85 × 85 mm) | 8 × 8 × 10.2 in (205 × 205 × 261 mm) | 16 × 9.8 × 14.6 in 410 × 249 × 370 mm | 195798 | \$10,075.00 |

Options/Accessories

| Part # | Model # | Description | Price |
|---------|---------|---|----------|
| Consult | DA | Automatic motorized draft shield for analytical balances (factory installed) | Consult |
| Consult | DI | Automatic motorized draft shield for analytical balances, with integrated ionizer (factory installed) | Consult |
| Consult | TR | Certificate of compliance and full factory test report (factory installed) | Consult |
| Consult | IR | Additional RS-232, 25-pin connection (factory installed) | Consult |
| 156906 | 6971987 | Power supply, 100-240 V | \$260.00 |
| 156908 | 6900900 | Cord, power 220V EU | \$50.00 |
| Consult | IP | Additional RS-232, 9-pin connection with PS2 port | Consult |



Quintix/Secura Series

Standard Features

- Color capacitive touch with swipe technology
- Simple touch technology
- Monolithic and strain gauge technology
- Aluminum die-cast base, ABS housing
- Integrated level-control
- Mini-USB
- Weigh below hook
- GLP conformance with built-in time and date
- Time and date

SECURA OPTIONS

- Internal adjustment weight
- Opto-electronic leveling system
- Sqmin safety program
- Analytical draft support ring

Specifications

Weighing Units:

Gram, kilogram, carat, pound, ounce, troy ounce, Hong Kong tael, Singapore tael, Taiwan tael, grain, pennyweights, milligram, parts per pound, China teal, mommes, Austrian carat, tola, baht, mesghal and newton

Operating Modes:

Mass unit conversion, counting, percent weighing, averaging

Display Type:

LCD

Power:

12 to 15 VDC, 4.5 W
AC adapter, 115 to 240 V

Frequency:

50/60 Hz

Minimum Weight per USP:

Secura 125-1S, Secura 225D-1: 25 mg
Secura 324-1S: 160 mg

External Calibration Weight:

Quintix 65-1S: 50 g
Quintix 125D-1S: 100 g
Secura 125-1S: 100 g
Secura 225D-1S: 200 g

Stabilization Time:

Quintix 65-1S: 6 seconds
Quintix 125D-1S: 6/2 seconds
Secura 125-1S: 6 seconds
Secura 225D-1S: 6/2 seconds
Secura 324-1S: 2 seconds

Temperature:

Operating:
5 °C to 45 °C (41 °F to 113 °F)

Humidity:

Less than 95% RH

Est. Weight:

18 lb (7.8 kg)

Warranty:

Two-year manufacturer

Return Policy:

Sartorius standard policy - restock fee may apply

| Model | Capacity | Readability | Repeatability | Linearity | Weighing Chamber | Pan Size | Dimensions | Part # | List Price |
|----------------|----------------|-------------------|--------------------|------------------|--------------------|--------------------|--|--------|------------|
| Quintix | | | | | | | | | |
| QUINTIX165-1S | 60 g | 0.01 mg | 0.04 mg | 0.1 mg | 8.5 in (218 mm) | 3.5 in (80 mm) | 14.8 × 8.4 × 12.4 in (376 × 214 × 316 mm) | 170634 | \$7,325.00 |
| QUINTIX125D-1S | 60 g 120 g | 0.01 mg 0.1 mg | 0.04 mg 0.07 mg | 0.1 mg 0.2 mg | 8.5 in (218 mm) | 3.5 in (80 mm) | 14.8 × 8.4 × 12.4 in (376 × 214 × 316 mm) | 170635 | \$7,650.00 |
| Secura | | | | | | | | | |
| SECURA125-1S | 60 g 120 g | 0.01 mg 0.1 mg | 0.001 g | 0.1 mg | 8.5 in (218 mm) | 3.15 in (80 mm) | 14.8 × 8.4 × 12.4 in (376 × 214 × 316 mm) | 170636 | \$8,425.00 |
| SECURA225D-1S | 120 g 220 g | 0.01 mg 0.1 mg | 0.001 g | 0.1/0.2 mg | 8.5 in (218 mm) | 3.15 in (80 mm) | 14.8 × 8.4 × 12.4 in (376 × 214 × 316 mm) | 170380 | \$8,825.00 |

Options/Accessories

| Part # | Model # | Description | Price |
|--------|-----------|------------------------------|---------|
| 155847 | YCC03-D09 | Adapter cable, USB to RS-232 | \$76.00 |



Practum/Quintix/Secura Series

Standard Features

- Simple, color capacitive touch with swipe technology
- Monolithic and strain gauge technology
- Aluminum die-cast base, ABS housing
- Front level bubble
- Mini-USB
- Weigh below hook

QUINTIX AND SECURA OPTIONS

- isoCAL/fully automatic, external calibration
- GLP conformance with built-in time and date

SECURA OPTIONS

- Internal adjustment weight
- Opto-electronic leveling system
- Sqmin safety program
- Analytical draft support ring
- Legal For Trade models available

Specifications

Weighing Units:

Gram, kilogram, carat, pound, ounce, troy ounce, Hong Kong tael, Singapore tael, Taiwan tael, grain, pennyweights, milligram, parts per pound, China teal, mommes, Austrian carat, tola, baht, mesghal and newton

Operating Modes:

Mass unit conversion, counting, percent weighing, averaging

Display Type:

LCD

Power Requirements:

10 to 20 V, AC adapter, 115 V to 240 V

Frequency:

50 to 60 Hz

Calibration Weight:

124-1S: 100 g
224-1S, 213-1S, 313-1S: 200 g
513-1S: 500 g
324-1S: 300 g

Stabilization Time:

3 seconds

Temperature:

Operating:
10 °C to 30 °C (50 °F to 86 °F)

Humidity:

Less than 95% RH

Est. Weight:

11 lb (4.5 kg)

Warranty:

Two-year manufacturer

Return Policy:

Sartorius standard policy - restock fee may apply

| Model | Capacity | Readability | Repeatability | Linearity | Weighing Chamber | Pan Size | Dimensions | Part # | List Price |
|----------------|----------|-------------|---------------|-----------|--------------------|-------------------|--|--------|------------|
| Quintix | | | | | | | | | |
| QUINTIX124-1S | 120 g | 0.1 mg | ±0.1 mg | 0.2 mg | 7.9 in (209 mm) | 3.5 in (90 mm) | 14.1 × 8.5 × 12.6 in (360 × 216 × 320 mm) | 153992 | \$4,525.00 |
| QUINTIX224-1S | 220 g | 0.1 mg | ±0.1 mg | 0.2 mg | 7.9 in (209 mm) | 3.5 in (90 mm) | 14.1 × 8.5 × 12.6 in (360 × 216 × 320 mm) | 153993 | \$5,100.00 |
| Secura | | | | | | | | | |
| SECURA124-1S | 120 g | 0.1 mg | ±0.1 mg | 0.2 mg | 7.9 in (209 mm) | 3.5 in (90 mm) | 14.1 × 8.5 × 12.6 in (360 × 216 × 320 mm) | 154005 | \$4,825.00 |
| SECURA224-1S | 220 g | 0.1 mg | ±0.1 mg | 0.2 mg | 7.9 in (209 mm) | 3.5 in (90 mm) | 14.1 × 8.5 × 12.6 in (360 × 216 × 320 mm) | 154006 | \$5,325.00 |
| SECURA324-1S | 320 g | 0.1 mg | 0.001 g | 0.3 mg | 8.5 in (218 mm) | 3.5 in (90 mm) | 14.8 × 8.4 × 12.4 in (376 × 214 × 316 mm) | 170637 | \$6,275.00 |

Options/Accessories

| Part # | Model # | Description | Price |
|--------|-----------|--|---------|
| 191429 | 6971790 | AC adapter, 110-240 V, six power plugs | \$67.00 |
| 155847 | YCC03-D09 | Adapter cable, USB to RS-232 | \$76.00 |



Cubis® II MCA Series

Standard Features

- 7 in color touchscreen TFT display in 16:9 format
- Modular design
- User-configurable and custom designed to meet changing applications
- Meets advanced Pharma compliance including user/password management for security, audit trail function logs and integrated alibi memory
- RS-232 and USB communication
- Easy cleaning by removing glass doors
- Manual glass draft shield
- Underweigh hook

Specifications

Weighing Units:

Milligram, gram, kilogram, ounce, pound, carat, pennyweight, troy ounce, grain, newton pound/ounce, micrograms. (see technical manual for complete listing)

Operating Modes:

Mass unit conversion, SQ min function, ISO-cal function, Density determination (buoyancy method only with MSE), calculation, averaging, formulation, percent weighing, totalizing, counting, customized identification, statistics, time control function, second tare memory, over/under checkweighing

Power:

120 VAC adapter auto ranging

Stabilization Time:

Approx. 1 second

Calibration Weight:

124S: 100 g
224S: 200 g
324S / P: 300 g
524S / P: 500 g

Temperature:

Operating:
5 °C to 40 °C (41 °F to 104 °F)

Est. Weight:

30 lb

Warranty:

Ten-year limited

Return Policy:

Sartorius standard policy - restock fee may apply

| Model | Capacity | Readability | Repeatability | Linearity | Weighing Chamber | Pan Size | Dimensions | Part # | List Price |
|---------------------------------------|-------------------------|----------------------------|----------------------------|-----------|---|------------------------------|--|---------------|-------------|
| MCA with TFT Color Touchscreen | | | | | | | | | |
| MCA324P | 80 g 160 g 320 g | 0.1 mg 0.2 mg 0.5 mg | 0.1 mg 0.2 mg 0.4 mg | 0.5 mg | 8 × 8 × 10.2 in (205 × 205 × 261 mm) | 3.3 × 3.3 in (85 × 85 mm) | 16 × 9.8 × 14.6 in (410 × 249 × 370 mm) | 195805 | \$10,425.00 |
| MCA524P | 120 g 240 g 520 g | 0.1 mg 0.2 mg 0.5 mg | 0.1 mg 0.2 mg 0.5 mg | 0.5 mg | 8 × 8 × 10.2 in (205 × 205 × 261 mm) | 3.3 × 3.3 in (85 × 85 mm) | 16 × 9.8 × 14.6 in (410 × 249 × 370 mm) | 195804 | \$10,725.00 |
| MCA124S | 120 g | 0.1 mg | 0.1 mg | 0.2 mg | 8 × 8 × 10.2 in (205 × 205 × 261 mm) | 3.3 × 3.3 in (85 × 85 mm) | 16 × 9.8 × 14.6 in (410 × 249 × 370 mm) | 195702 | \$8,825.00 |
| MCA224S | 220 g | 0.1 mg | 0.07 mg | 0.2 mg | 8 × 8 × 10.2 in (205 × 205 × 261 mm) | 3.3 × 3.3 in (85 × 85 mm) | 16 × 9.8 × 14.6 in (410 × 249 × 370 mm) | 195701 | \$10,175.00 |
| MCA324S | 320 g | 0.1 mg | 0.1 mg | 0.3 mg | 8 × 8 × 10.2 in (205 × 205 × 261 mm) | 3.3 × 3.3 in (85 × 85 mm) | 16 × 9.8 × 14.6 in (410 × 249 × 370 mm) | 195700 | \$11,600.00 |
| MCA524S | 520 g | 0.1 mg | 0.1 mg | 0.4 mg | 8 × 8 × 10.2 in (205 × 205 × 261 mm) | 3.3 × 3.3 in (85 × 85 mm) | 16 × 9.8 × 14.6 in (410 × 249 × 370 mm) | 195699 | \$13,275.00 |

Options/Accessories

| Part# | Model # | Description | Price |
|---------------|---------|---|-----------------|
| Consult | DA | Automatic motorized draft shield for analytical balances (factory installed) | Consult |
| Consult | DI | Automatic motorized draft shield for analytical balances, with integrated ionizer (factory installed) | Consult |
| Consult | TR | Certificate of compliance and full factory test report (factory installed) | Consult |
| Consult | IR | Additional RS-232, 25-pin connection (factory installed) | Consult |
| 156906 | 6971987 | Power supply, 100 to 240 V | \$260.00 |
| 156908 | 6900900 | Cord, power 220V EU | \$50.00 |
| Consult | IP | Additional RS-232, 9-pin connection with PS/2 port | Consult |



Cubis® II MCE Series

Standard Features

- State-of-the-art TFT touchscreen operation
- Modular design
- User-configurable and custom designed to meet changing applications
- Meets advanced Pharma compliance including user/password management for security, audit trail function logs and integrated alibi memory
- RS-232 and USB communication
- Easy cleaning by removing glass doors
- Manual glass draft shield
- Underweigh hook

Specifications

Weighing Units:

Milligram, gram, kilogram, ounce, pound, carat, pennyweight, troy ounce, grain, newton pound/ounce, micrograms. (see technical manual for complete listing)

Operating Modes:

Mass unit conversion, SQ min function, ISO-cal function, density determination (buoyancy method only with MSE), calculation, averaging, formulation, percent weighing, totalizing, counting, customized identification, statistics, time control function, second tare memory, over/under checkweighing

Power:

120 VAC adapter auto ranging

Stabilization Time:

1 second

Calibration Weight:

124S: 100 g
224S: 200 g
324S/P: 300 g
524S/P: 500 g

Temperature:

Operating:
5 °C to 40 °C (41 °F to 104 °F)

Est. Weight:

30 lb

Warranty:

Ten-year Limited

Return Policy:

Sartorius standard policy - restock fee may apply

| Model | Capacity | Readability | Repeatability | Linearity | Weighing Chamber | Pan Size | Dimensions | Part # | List Price |
|---------------------------------|-------------------------|----------------------------|----------------------------|-----------|---|------------------------------|--|---------------|-------------|
| MCE with TFT Touchscreen | | | | | | | | | |
| MCE324P | 80 g 160 g 320 g | 0.1 mg 0.2 mg 0.5 mg | 0.1 mg 0.2 mg 0.4 mg | 0.5 mg | 8 × 8 × 10.2 in (205 × 205 × 261 mm) | 3.3 × 3.3 in (85 × 85 mm) | 16 × 9.8 × 14.6 in (410 × 249 × 370 mm) | 195801 | \$9,425.00 |
| MCE524P | 120 g 240 g 520 g | 0.1 mg 0.2 mg 0.5 mg | 0.1 mg 0.2 mg 0.5 mg | 0.5 mg | 8 × 8 × 10.2 in (205 × 205 × 261 mm) | 3.3 × 3.3 in (85 × 85 mm) | 16 × 9.8 × 14.6 in (410 × 249 × 370 mm) | 195800 | \$9,725.00 |
| MCE124S | 120 g | 0.1 mg | 0.1 mg | 0.2 mg | 8 × 8 × 10.2 in (205 × 205 × 261 mm) | 3.3 × 3.3 in (85 × 85 mm) | 16 × 9.8 × 14.6 in (410 × 249 × 370 mm) | 195697 | \$7,825.00 |
| MCE224S | 220 g | 0.1 mg | 0.07 mg | 0.2 mg | 8 × 8 × 10.2 in (205 × 205 × 261 mm) | 3.3 × 3.3 in (85 × 85 mm) | 16 × 9.8 × 14.6 in (410 × 249 × 370 mm) | 195696 | \$9,175.00 |
| MCE324S | 320 g | 0.1 mg | 0.1 mg | 0.3 mg | 8 × 8 × 10.2 in (205 × 205 × 261 mm) | 3.3 × 3.3 in (85 × 85 mm) | 16 × 9.8 × 14.6 in (410 × 249 × 370 mm) | 195695 | \$10,600.00 |
| MCE524S | 520 g | 0.1 mg | 0.1 mg | 0.4 mg | 8 × 8 × 10.2 in (205 × 205 × 261 mm) | 3.3 × 3.3 in (85 × 85 mm) | 16 × 9.8 × 14.6 in (410 × 249 × 370 mm) | 195799 | \$12,275.00 |

Options/Accessories

| Part# | Model # | Description | Price |
|---------------|---------|---|----------|
| Consult | DA | Automatic motorized draft shield for analytical balances (factory installed) | Consult |
| Consult | DI | Automatic motorized draft shield for analytical balances, with integrated ionizer (factory installed) | Consult |
| Consult | TR | Certificate of compliance and full factory test report (factory installed) | Consult |
| Consult | IR | Additional RS-232, 25-pin connection (factory installed) | Consult |
| 156906 | 6971987 | Power supply, 100 to 240 V | \$260.00 |
| 156908 | 6900900 | Cord, power 220V EU | \$50.00 |
| Consult | IP | Additional RS-232, 9-pin connection with PS/2 port | Consult |



Entris® II Series Basic Essential

Standard Features

- Backlit LED touchscreen
- User-friendly operation
- Basic applications
- Monolithic weighing systems
- Aluminum die-cast base, ABS housing
- Front level bubble
- RS-232 standard
- Below balance weighing

Specifications

Weighing Units:

Gram, kilogram, ounce, pound, carat, pennyweight, troy ounce, grain, newton (see technical manual for complete listing)

Operating Modes:

Weighing, density, percentage, counting, mass unit conversion

Power:

AC adapter, 115 to 240 V, US plug

Stabilization Time:

2.5 seconds

Calibration Weight:

BCE64I-1S: 50 g
BCE124I-1S: 100 g
BCE224I-1S: 200 g

Temperature:

Operating:
5 °C to 40 °C (41 °F to 104 °F)

Humidity:

15% to 80% for temperatures up to 31 °C

Est. Weight:

13.7 lb

Warranty:

Two-year limited

| Model | Capacity | Readability | Repeatability | Linearity | Pan Size | Dimensions | Part # | List Price |
|------------|----------|-------------|---------------|-----------|-------------------|--|--------|------------|
| BCE64I-1S | 60 g | 0.1 mg | ±0.1 mg | ±0.2 mg | 3.5 in (90 mm) | 9.1 × 11.9 × 13 in (230 × 303 × 330 mm) | 197392 | \$2,800.00 |
| BCE124I-1S | 120 g | 0.1 mg | ±0.1 mg | ±0.2 mg | 3.5 in (90 mm) | 9.1 × 11.9 × 13 in (230 × 303 × 330 mm) | 197393 | \$3,175.00 |
| BCE224I-1S | 220 g | 0.1 mg | ±0.1 mg | ±0.2 mg | 3.5 in (90 mm) | 9.1 × 11.9 × 13 in (230 × 303 × 330 mm) | 197394 | \$3,575.00 |

Options/Accessories

| Part # | Model # | Description | Price |
|--------|------------|---|------------|
| 112261 | YDP20-OCE | Data printer (printer requires power supply part number 191429) | \$1,580.00 |
| 31103 | 6906937 | Paper rolls, one roll | \$75.00 |
| 31106 | 6906918 | Ink ribbon cassette | \$105.00 |
| 201911 | YCC-D09MF | Data Cable RS-232, DB-9M to DB-9F (For YDP20 Printer) | \$85.00 |
| 204042 | YEPS01-PS8 | Replacement AC adapter with interchangeable plugs (included with Entris II) | \$61.00 |
| 191429 | YEPS01-PS4 | AC adapter with interchangeable plugs (for use with YDP20-OCE printer) | \$67.00 |



Entris® II Series Basic Advanced

Standard Features

- Graphic touchscreen
- User-friendly operation
- Basic applications
- Monolithic weighing systems
- Aluminum die-cast base, ABS housing
- Front level bubble
- RS-232 standard
- Below balance weighing

Specifications

Weighing Modes:

Gram, kilogram, carat, pound, ounce, troy ounce, Hong Kong tael, Singapore tael, Taiwan tael, grain, pennyweights, milligram, parts per pound, China teal, mommes, Austrian carat, tola, baht, mesghal, tons, pounds/ounces, newton

Operating Modes:

Weighing, density, percentage, counting, mass unit conversion, mixing, statistics, components, animal weighing, checkweighing, peak hold and pipette test

Power:

AC adapter, 115 to 240 V, US plug

Stabilization Time:

BCA64I-1S, BCA124I-1S: 2.5 seconds
BCA224I-1S: 1.3 seconds
BCA324I-1S: 1.0 seconds

Calibration Weight:

BCA64I-1S: 50 g
BCA124I-1S: 100 g
BCA224I-1S, BCA324I-1S: 200 g

Temperature:

Operating:
41 °F to 104 °F (5 °C to 40 °C)

Humidity:

15% to 80% for temperatures up to 31 °C

Est. Weight:

13.7 lb (6.2 kg)

Warranty:

Two-year limited

| Model | Capacity | Readability | Repeatability | Linearity | Pan Size | Dimensions | Part # | List Price |
|------------|----------|-------------|---------------|-----------|--------------------|--|--------|------------|
| BCA64I-1S | 60 g | 0.1 mg | ±0.1 mg | ±0.2 mg | 3.5 in (90 mm) | 20.67 × 19.49 × 15.75 in (525 × 495 × 400 mm) | 202468 | \$3,900.00 |
| BCA124I-1S | 120 g | 0.1 mg | ±0.1 mg | ±0.2 mg | 3.5 in (90 mm) | 20.67 × 19.49 × 15.75 in (525 × 495 × 400 mm) | 202469 | \$4,250.00 |
| BCA224I-1S | 220 g | 0.1 mg | ±1 mg | ±2 mg | 4.7 in (120 mm) | 20.67 × 19.49 × 15.75 in (525 × 495 × 400 mm) | 202471 | \$4,700.00 |
| BCA324I-1S | 320 g | 0.1 mg | ±1 mg | ±2 mg | 4.7 in (120 mm) | 20.67 × 19.49 × 15.75 in (525 × 495 × 400 mm) | 202473 | \$5,175.00 |

Options/Accessories

| Part # | Model # | Description | Price |
|--------|------------|---|------------|
| 112261 | YDP20-OCE | Data printer (printer requires power supply part number 191429) | \$1,580.00 |
| 31103 | 6906937 | Paper rolls, one roll | \$75.00 |
| 31106 | 6906918 | Ink ribbon cassette | \$105.00 |
| 201911 | YCC-D09MF | Data cable RS-232, DB-9M to DB-9F (For YDP20 Printer) | \$85.00 |
| 204042 | YEPS01-PS8 | Replacement AC adapter with interchangeable plugs (included with Entris II) | \$61.00 |
| 191429 | YEPS01-PS4 | AC adapter with interchangeable plugs (for use with YDP20-OCE printer) | \$67.00 |



BALANCES
SARTORIUS

Entris® II Series Basic Essential

Standard Features

- Backlit LED touchscreen, 15 mm digits
- User-friendly operation
- Stainless steel pan
- Basic applications
- Monolithic weighing systems
- Aluminum die-cast base, ABS housing
- Front level bubble
- RS-232 connectivity
- Weigh below hook
- NTEP Certified

Specifications

Weighing Units:

Gram, kilogram, carat, pound, ounce, troy ounce, Hong Kong Tael, Singapore tael, Taiwan tael, grain, pennyweights, milligram, parts per pound, China teal, mommes, Austrian carat, tola, baht, mesghal, tons, pounds, ounces, newton

Operation Modes:

Weighing, density, percentage, counting, mass unit conversion

Power:

AC adapter, 115 to 240 V, US plug

Stabilization Time:

2.5 seconds

External Calibration Weight:

BCE124-1NUS: 100 g
 BCE224-1NUS, BCE324-1NUS: 200 g
 BCE623-1NUS, BCE653-1NUS, BCE622-1NUS, BCE1202-1NUS: 500 g
 BCE3202-1NUS, BCE4202-1NUS, BCE5201-1NUS, BCE6202-1NUS: 5,000 g

Temperature:

Operating: 41 °F to 104 °F (5 °C to 40 °C)

Humidity:

15% to 80% for temperatures up to 31 °C

Est. Weight:

13.7 lb (6.2 kg)

Warranty:

Two-year limited

Approval:

NTEP 22-017



| Model | Capacity | Readability | NTEP Repeatability | Pan Size | Dimensions | Part # | List Price |
|--------------|----------|-------------|--------------------|-----------------|---|--------|------------|
| BCE124-1NUS | 120 g | 0.1 mg | 1 mg | 3.5 in (90 mm) | 20.67 × 19.49 × 15.75 in (525 × 495 × 400 mm) | 208212 | \$2,950.00 |
| BCE224-1NUS | 220 g | 0.1 mg | 1 mg | 3.5 in (90 mm) | 20.67 × 19.49 × 15.75 in (525 × 495 × 400 mm) | 208213 | \$3,325.00 |
| BCE323-1NUS | 320 g | 1 mg | 10 mg | 4.7 in (120 mm) | 20.67 × 19.49 × 15.75 in (525 × 495 × 400 mm) | 208214 | \$1,730.00 |
| BCE623-1NUS | 620 g | 1 mg | 10 mg | 4.7 in (120 mm) | 20.67 × 19.49 × 15.75 in (525 × 495 × 400 mm) | 208215 | \$2,550.00 |
| BCE653-1NUS | 650 g | 1 mg | 10 mg | 4.7 in (120 mm) | 20.67 × 19.49 × 15.75 in (525 × 495 × 400 mm) | 208216 | \$2,800.00 |
| BCE622-1NUS | 620 g | 10 mg | 0.1 g | 4.7 in (120 mm) | 20.67 × 19.49 × 15.75 in (525 × 495 × 400 mm) | 208217 | \$1,330.00 |
| BCE1202-1NUS | 1,200 g | 10 mg | 0.1 g | 4.7 in (120 mm) | 20.67 × 19.49 × 15.75 in (525 × 495 × 400 mm) | 208218 | \$1,600.00 |
| BCE3202-1NUS | 3,200 g | 10 mg | 0.1 g | 4.7 in (120 mm) | 20.67 × 19.49 × 15.75 in (525 × 495 × 400 mm) | 208219 | \$1,860.00 |
| BCE4202-1NUS | 4,200 g | 10 mg | 0.1 g | 4.7 in (120 mm) | 20.67 × 19.49 × 15.75 in (525 × 495 × 400 mm) | 208220 | \$2,130.00 |
| BCE5201-1NUS | 5,200 g | 0.1 g | 0.1 g | 4.7 in (120 mm) | 20.67 × 19.49 × 15.75 in (525 × 495 × 400 mm) | 208222 | \$1,600.00 |
| BCE6202-1NUS | 6,200 g | 10 mg | 0.1 g | 4.7 in (120 mm) | 20.67 × 19.49 × 15.75 in (525 × 495 × 400 mm) | 208221 | \$2,800.00 |
| BCE8201-1NUS | 8,200 g | 0.1 g | 1 g | 4.7 in (120 mm) | 20.67 × 19.49 × 15.75 in (525 × 495 × 400 mm) | 213481 | \$1,860.00 |

BALANCES
SARTORIUS

Options/Accessories

| Part # | Model # | Description | Price |
|--------|------------|---|------------|
| 112261 | YDP20-OCE | Data printer (printer requires power supply part number 191429) | \$1,580.00 |
| 31103 | 6906937 | Paper rolls, one roll | \$75.00 |
| 31106 | 6906918 | Ink ribbon cassette | \$105.00 |
| 201911 | YCC-D09MF | Data cable RS-232, DB-9M to DB-9F (For YDP20 Printer) | \$85.00 |
| 204042 | YEPS01-PS8 | Replacement AC adapter with interchangeable plugs (included with Entris II) | \$61.00 |
| 191429 | YEPS01-PS4 | AC adapter with interchangeable plugs (for use with YDP20-OCE printer) | \$67.00 |



Secura Series

Standard Features

- Simple, color capacitive touch with swipe technology
- Monolithic and strain gauge technology
- LCD Display
- Aluminum die-cast base, ABS housing
- Front level bubble
- Mini-USB
- Weigh below hook

OPTIONS

- isoCAL/fully automatic, external calibration
- Internal adjustment weight
- Opto-electronic leveling system
- GLP conformance with built-in time and date
- Sqmin safety program
- Analytical draft support ring

Specifications

Weighing Units:

Mass unit conversion, counting, percent weighing, averaging

Operating Modes:

Gram, kilogram, carat, pound, ounce, troy ounce, Hong Kong tael, Singapore tael, Taiwan tael, grain, pennyweights, milligram, parts per pound, China teal, mommes, Austrian carat, tola, baht, mesghal and newton

Power:

AC adapter, 115 to 240 V

Stabilization Time :

3 seconds

Frequency:

50/60 Hz

External Calibration Weight:

224-1NUS, 313-1NUS: 200 g
 613-1NUS: 500 g
 1102-1NUS, 1103-1NUS: 1,000 g
 3102-1NUS: 3000 g
 6101-1NUS, 6102-1NUS: 6000 g

Temperature:

Operating:
 50 °F to 86 °F (10 °C to 30 °C)

Humidity:

Less than 95% RH

Est Weight:

9 lb (4.5 kg)

Warranty:

Two-year limited

Approvals:

NTEP 21-013



| Model | Capacity | Readability | Repeatability | Linearity | Pan Size | Dimensions | Part # | List Price |
|-----------------|----------|-------------|---------------|-----------|------------------|---|--------|------------|
| SECURA224-1NUS | 220 g | 0.1 g | 0.5 mg | 1 mg | 4.73 in (120 mm) | 14.1 × 8.5 × 12.6 in (360 × 216 × 320 mm) | 207602 | \$5,325.00 |
| SECURA313-1NUS | 310 g | 0.001 g | 0.5 mg | 2 mg | 4.73 in (120 mm) | 14.1 × 8.5 × 12.6 in (360 × 216 × 320 mm) | 207603 | \$3,200.00 |
| SECURA613-1NUS | 610 g | 0.001 g | 0.5 mg | 2 mg | 4.73 in (120 mm) | 14.1 × 8.5 × 12.6 in (360 × 216 × 320 mm) | 207604 | \$4,275.00 |
| SECURA1102-1NUS | 1,100 g | 0.01 g | 5 mg | 0.02 g | 7.01 in (180 mm) | 14.1 × 8.5 × 12.6 in (360 × 216 × 320 mm) | 207605 | \$2,800.00 |
| SECURA1103-1NUS | 1,100 g | 0.001 g | 0.5 mg | 2 mg | 4.73 in (120 mm) | 14.1 × 8.5 × 12.6 in (360 × 216 × 320 mm) | 207606 | \$6,225.00 |
| SECURA3102-1NUS | 3,100 g | 0.01 g | 5 mg | 0.02 g | 7.01 in (180 mm) | 14.1 × 8.5 × 12.6 in (360 × 216 × 320 mm) | 207607 | \$3,625.00 |
| SECURA6101-1NUS | 6,100 g | 0.1 g | 50 mg | 0.1 g | 7.01 in (180 mm) | 14.1 × 8.5 × 12.6 in (360 × 216 × 320 mm) | 207608 | \$3,100.00 |
| SECURA6102-1NUS | 6,100 g | 0.01 g | 5 mg | 0.02 g | 7.01 in (180 mm) | 14.1 × 8.5 × 12.6 in (360 × 216 × 320 mm) | 207609 | \$4,400.00 |

Options/Accessories

| Part # | Model # | Description | Price |
|--------|-----------|---|---------|
| 191429 | 6971790 | AC adapter, 110 to 240 V, six power plugs | \$67.00 |
| 155847 | YCC03-D09 | Adapter cable, USB to RS-232 | \$76.00 |



BALANCES
SARTORIUS

Cubis® II Series MCA

Standard Features

- Large, high-end, 7-inch color touchscreen TFT display in 16:9 format
- Modular design
- User configurable and custom designed to meet changing applications
- Meets advanced Pharma compliance including user/password management for security, audit trail function logs and integrated alibi memory
- RS-232 and USB communication
- Easy cleaning by removing glass doors
- Manual glass draft shield
- Underweigh hook

Specifications

Weighing Units:

Milligram, gram, kilogram, ounce, pound, carat, pennyweight, troy ounce, grain, newton pound/ounce, micrograms (see technical manual for complete listing)

Operating Modes:

Mass unit conversion, SQ min function, ISO-cal function, Density determination (buoyancy method only with MSE), calculation, averaging, formulation, percent weighing, totalizing, counting, customized identification, statistics, time control function, second tare memory, over/under checkweighing

Power:

120 VAC adapter auto ranging

Stabilization Time:

3203S, 2203S, 2203P, 1203S, 5203S, 5203P: 1 second
623S, 623P, 323S: 0.8 seconds

Calibration Weight:

3203S, 2203S: 2,000 g
2203P, 1203S: 1,000 g
5203S, 5203P: 500 g
623S, 623P: 500 g
323S: 200 g

Temperature:

Operating:
5 °C to 40 °C (41 °F to 104 °F)

Est. Weight:

17 lb

Warranty:

Ten-year limited

Return Policy:

Sartorius standard policy - restock fee may apply

| Model | Capacity | Readability | Repeatability | Linearity | Pan Size | Dimensions | Part # | List Price |
|----------|-------------------------------|----------------------|----------------------|-----------|--------------------------------|--|--------|-------------|
| MCA623P | 150 g 300 g 620 g | 1 mg 2 mg 5 mg | 1 mg 2 mg 4 mg | 5 mg | 5.5 × 5.5 in (140 × 140 mm) | 16 × 9.8 × 11 in (410 × 249 × 281 mm) | 195811 | \$7,725.00 |
| MCA323S | 320 g | 1 mg | 0.7 mg | 2 mg | 5.5 × 5.5 in (140 × 140 mm) | 16 × 9.8 × 11 in (410 × 249 × 281 mm) | 195716 | \$7,575.00 |
| MCA623S | 620 g | 1 mg | 0.7 mg | 2 mg | 5.5 × 5.5 in (140 × 140 mm) | 16 × 9.8 × 11 in (410 × 249 × 281 mm) | 195715 | \$8,650.00 |
| MCA1203S | 1,200 g | 1 mg | 0.7 mg | 2 mg | 5.5 × 5.5 in (140 × 140 mm) | 16 × 9.8 × 11 in (410 × 249 × 281 mm) | 195713 | \$10,725.00 |
| MCA2203P | 1,010 g 2,200 g | 1 mg 10 mg | 1 mg 6 mg | 5 mg | 5.5 × 5.5 in (140 × 140 mm) | 16 × 9.8 × 11 in (410 × 249 × 281 mm) | 195809 | \$11,725.00 |
| MCA2203S | 2,200 g | 1 mg | 1 mg | 3 mg | 5.5 × 5.5 in (140 × 140 mm) | 16 × 9.8 × 11 in (410 × 249 × 281 mm) | 195712 | \$12,075.00 |
| MCA3203S | 3,200 g | 1 mg | 1/6 mg | 5 mg | 5.5 × 5.5 in (140 × 140 mm) | 16 × 9.8 × 11 in (410 × 249 × 281 mm) | 195711 | \$11,200.00 |
| MCA5203S | 5,200 g | 1 mg | 1 mg | 5 mg | 5.5 × 5.5 in (140 × 140 mm) | 16 × 9.8 × 11 in (410 × 249 × 281 mm) | 195714 | \$14,200.00 |
| MCA5203P | 5,200 g 2,400 g 1,200 g | 5 mg 2 mg 1 mg | 1 mg | 5 mg | 5.5 × 5.5 in (140 × 140 mm) | 16 × 9.8 × 11 in (410 × 249 × 281 mm) | 195810 | \$13,600.00 |

Options/Accessories

| Part# | Model# | Description | Price |
|---------|------------------|--|----------|
| Consult | TR | Certificate of compliance and full factory test report (factory installed) | Consult |
| Consult | IR | Additional RS-232, 25-pin connection (factory installed) | Consult |
| 156906 | 6971987 | Power supply, 100 to 240 V | \$260.00 |
| 156908 | 6900900 | Cord, power 220 V EU | \$50.00 |
| Consult | IP | Additional RS-232, 9-pin connection with PS/2 port (factory installed) | Consult |
| Consult | DA, DR, DI or DU | Other draft shields available | Consult |



BALANCES
SARTORIUS

Cubis® II Series MCE

Standard Features

- State-of-the-art, TFT touchscreen operation
- Modular design
- User configurable and custom designed to meet changing applications
- Meets advanced Pharma compliance including user/password management for security, audit trail function logs and integrated alibi memory
- RS-232 and USB communication
- Easy cleaning by removing glass doors
- Manual glass draft shield
- Underweigh hook

Specifications

Weighing Units:

Milligram, gram, kilogram, ounce, pound, carat, pennyweight, troy ounce, grain, newton pound/ounce, micrograms (see technical manual for complete listing)

Operating Modes:

Mass unit conversion, SQ min function, ISO-cal function, density determination (buoyancy method only with MSE), calculation, averaging, formulation, percent weighing, totalizing, counting, customized identification, statistics, time control function, second tare memory, over/under checkweighing

Power:

120 VAC adapter (auto ranging)

Stabilization Time:

3203S, 2203S, 2203P, 1203S, 5203S, 5203P: 1 second
623S, 623P, 323S: 0.8 seconds

Calibration Weight:

3203S, 2203S: 2,000 g
2203P, 1203S: 1,000 g
5203S, 5203P: 500 g
623S, 623P: 500 g
323S: 200 g

Temperature:

Operating:
5 °C to 40 °C (41 °F to 104 °F)

Est. Weight:

17 lb

Warranty:

Ten-year limited

Return Policy:

Sartorius standard policy - restock fee may apply

| Model | Capacity | Readability | Repeatability | Linearity | Pan Size | Dimensions | Part # | List Price |
|----------|-------------------------------|----------------------|---------------|-----------|--------------------------------|--|--------|-------------|
| MCE323S | 320 g | 1 mg | 0.7 mg | 2 mg | 5.5 × 5.5 in (140 × 140 mm) | 16 × 9.8 × 11 in (410 × 249 × 281 mm) | 195709 | \$6,600.00 |
| MCE623P | 150 g 300 g 620 g | 1 mg 2 mg 5 mg | 1/2/4 mg | 5 mg | 5.5 × 5.5 in (140 × 140 mm) | 16 × 9.8 × 11 in (410 × 249 × 281 mm) | 195808 | \$6,750.00 |
| MCE623S | 620 g | 1 mg | 0.7 mg | 2 mg | 5.5 × 5.5 in (140 × 140 mm) | 16 × 9.8 × 11 in (410 × 249 × 281 mm) | 195707 | \$7,650.00 |
| MCE5203P | 5,200 g 2,400 g 1,200 g | 5 mg 2 mg 1 mg | 1 mg | 5 mg | 5.5 × 5.5 in (140 × 140 mm) | 16 × 9.8 × 11 in (410 × 249 × 281 mm) | 195807 | \$12,600.00 |
| MCE5203S | 5,200 g | 1 mg | 1 mg | 5 mg | 5.5 × 5.5 in (140 × 140 mm) | 16 × 9.8 × 11 in (410 × 249 × 281 mm) | 195706 | \$13,200.00 |
| MCE1203S | 1,200 g | 1 mg | 0.7 mg | 2 mg | 5.5 × 5.5 in (140 × 140 mm) | 16 × 9.8 × 11 in (410 × 249 × 281 mm) | 195705 | \$9,750.00 |
| MCE2203P | 1,010 g 2,200 g | 1 mg 10 mg | 1 mg 6 mg | 5 mg | 5.5 × 5.5 in (140 × 140 mm) | 16 × 9.8 × 11 in (410 × 249 × 281 mm) | 195806 | \$10,725.00 |
| MCE2203S | 2,200 g | 1 mg | 1 mg | 3 mg | 5.5 × 5.5 in (140 × 140 mm) | 16 × 9.8 × 11 in (410 × 249 × 281 mm) | 195704 | \$11,100.00 |
| MCE3203S | 3,200 g | 1 mg | 1 mg 6 mg | 5 mg | 5.5 × 5.5 in (140 × 140 mm) | 16 × 9.8 × 11 in (410 × 249 × 281 mm) | 195703 | \$11,200.00 |

Options/Accessories

| Part# | Model# | Description | Price |
|---------|------------------|--|----------|
| Consult | TR | Certificate of compliance and full factory test report (factory installed) | Consult |
| Consult | IR | Additional RS-232, 25-pin connection (factory installed) | Consult |
| 156906 | 6971987 | Power supply, 100-240 V | \$260.00 |
| 156908 | 6900900 | Cord, power 220 V EU | \$50.00 |
| Consult | IP | Additional RS-232, 9-pin connection with PS/2 port (factory installed) | Consult |
| Consult | DA, DR, DI or DU | Other draft shields available | Consult |



BALANCES
SARTORIUS

Entris® II Series Basic Essential

Standard Features

- Backlit LED touchscreen
- User-friendly operation
- Basic applications
- Monolithic weighing systems
- Aluminum die-cast base, ABS housing
- Front level bubble
- RS-232 standard
- Weigh below hook

Specifications

Weighing Units:

Gram, kilogram, ounce, pound, carat, pennyweight, troy ounce, grain, newton (see technical manual for complete listing)

Operating Modes:

Weighing, density, percentage, counting, mass unit conversion

Power:

AC adapter, 115 to 240 V, US plug

Stabilization Time:

BCE223I-1S: 1.3 seconds
 BCE323I-1S: 1.1 seconds
 BCE423I-1S, BCE623I-1S, BCE622I-1S: 1.0 seconds
 BCE653I-1S: 1.5 seconds

Calibration Weight:

BCE223I-1S, BCE323I-1S, BCE423I-1S: 200 g
 BCE623I-1S, BCE653I-1S: 500 g

Temperature:

Operating:
 5 °C to 40 °C (41 °F to 104 °F)

Humidity:

15% to 80% for temperatures up to 31 °C

Est. Weight:

13.7 lb (6.2 kg)

Warranty:

Two-year limited

Return Policy:

Sartorius standard policy - restock fee may apply

| Model | Capacity | Readability | Repeatability | Linearity | Pan Size | Dimensions | Part # | List Price |
|------------|----------|-------------|---------------|-----------|--------------------|---|--------|------------|
| BCE223I-1S | 220 g | 0.001 g | ±1 mg | ±2 mg | 4.7 in (120 mm) | 9.1 × 11.9 × 5.4 in (230 × 303 × 136 mm) | 197395 | \$1,780.00 |
| BCE323I-1S | 320 g | 0.001 g | ±1 mg | ±2 mg | 4.7 in (120 mm) | 9.1 × 11.9 × 5.4 in (230 × 303 × 136 mm) | 197396 | \$2,040.00 |
| BCE423I-1S | 420 g | 0.001 g | ±1 mg | ±2 mg | 4.7 in (120 mm) | 9.1 × 11.9 × 5.4 in (230 × 303 × 136 mm) | 197397 | \$2,550.00 |
| BCE623I-1S | 620 g | 0.001 g | ±1 mg | ±2 mg | 4.7 in (120 mm) | 9.1 × 11.9 × 5.4 in (230 × 303 × 136 mm) | 197398 | \$2,800.00 |
| BCE653I-1S | 650 g | 0.001 g | ±1 mg | ±2 mg | 4.7 in (120 mm) | 9.1 × 11.9 × 3.4 in (230 × 303 × 87 mm) | 197400 | \$3,050.00 |

Options/Accessories

| Part # | Model # | Description | Price |
|--------|------------|---|------------|
| 112261 | YDP20-OCE | Data printer (printer requires power supply part number 191429) | \$1,580.00 |
| 31103 | 6906937 | Paper rolls, one roll | \$75.00 |
| 31106 | 6906918 | Ink ribbon cassette | \$105.00 |
| 201911 | YCC-D09MF | Data cable RS-232, DB-9M to DB-9F (For YDP20 Printer) | \$85.00 |
| 204042 | YEPS01-PS8 | Replacement AC adapter with interchangeable plugs (included with Entris II) | \$61.00 |
| 191429 | YEPS01-PS4 | AC adapter with interchangeable plugs (for use with YDP20-OCE printer) | \$67.00 |



Entris® II Series Basic Advanced

Standard Features

- User-friendly operation
- Basic applications
- Monolithic weighing systems
- Aluminum die-cast base, ABS housing
- Front level bubble
- RS-232 standard
- Below balance weighing

Specifications

Weighing Units:

Gram, kilogram, ounce, pound, carat, pennyweight, troy ounce, grain, newton (see technical manual for complete listing)

Operating Modes:

Weighing, density, percentage, counting, mass unit conversion, mixing, statistics, components, animal weighing, checkweighing, peak hold and pipette test

Power:

AC adapter, 115 to 240 V, US plug

Stabilization Time:

BCA223I-1S: 2.5 seconds
 BCA323I-1S: 1.1 seconds
 BCA423I-1S, BCA623I-1S: 1.0 seconds
 BCA1203I-1S: 1.5 seconds

Calibration Weight:

BCA223I-1S, BCA323I-1S: 200 g
 BCA423I-1S, BCA623I-1S, BCA1203I-1S: 500 g

Temperature:

Operating:
 41 °F to 104 °F (5 °C to 40 °C)

Humidity:

15% to 80% for temperatures up to 31 °C

Est. Weight:

BCA223I-1S, BCA323I-1S,
 BCA423I-1S: 13.7 lb (6.2 kg)
 BCA623I-1S: 13.9 lb (6.3 kg)
 BCA1203I-1S: 12 lb (5.4 kg)

Warranty:

Two-year limited

Return Policy:

Sartorius standard policy - restock fee may apply

| Model | Capacity | Readability | Repeatability | Linearity | Pan Size | Dimensions | Part # | List Price |
|-------------|----------|-------------|---------------|-----------|--------------------|--|--------|------------|
| BCA223I-1S | 220 g | 1 mg | ±0.1 mg | ±0.2 mg | 3.5 in (90 mm) | 20.67 × 19.49 × 15.75 in (525 × 495 × 400 mm) | 202470 | \$2,480.00 |
| BCA323I-1S | 320 g | 1 mg | ±1 mg | ±2 mg | 4.7 in (120 mm) | 20.67 × 19.49 × 15.75 in (525 × 495 × 400 mm) | 202472 | \$2,700.00 |
| BCA423I-1S | 420 g | 1 mg | ±1 mg | ±2 mg | 4.7 in (120 mm) | 20.67 × 19.49 × 15.75 in (525 × 495 × 400 mm) | 202474 | \$2,950.00 |
| BCA623I-1S | 620 g | 1 mg | ±1 mg | ±2 mg | 4.7 in (120 mm) | 20.67 × 19.49 × 15.75 in (525 × 495 × 400 mm) | 202475 | \$3,525.00 |
| BCA1203I-1S | 1,200 g | 1 mg | ±1 mg | ±2 mg | 4.7 in (120 mm) | 20.67 × 19.49 × 15.75 in (525 × 495 × 400 mm) | 202478 | \$4,700.00 |

Options/Accessories

| Part # | Model # | Description | Price |
|--------|------------|---|------------|
| 112261 | YDP20-OCE | Data printer (printer requires power supply part number 191429) | \$1,580.00 |
| 31103 | 6906937 | Paper rolls, one roll | \$75.00 |
| 31106 | 6906918 | Ink ribbon cassette | \$105.00 |
| 201911 | YCC-D09MF | Data Cable RS-232, DB-9M to DB-9F (For YDP20 Printer) | \$85.00 |
| 204042 | YEPS01-PS8 | Replacement AC adapter with interchangeable plugs (included with Entris II) | \$61.00 |
| 191429 | YEPS01-PS4 | AC adapter with interchangeable plugs (for use with YDP20-OCE printer) | \$67.00 |



Practum/Quintix/Secura Series

Standard Features

- Simple, color capacitive touch with swipe technology
- Monolithic and strain gauge technology
- LCD display
- Aluminum die-cast base, ABS housing
- Front level bubble
- Mini-USB
- Weigh below hook

QUINTIX AND SECURA OPTIONS

- isoCAL/fully automatic, external calibration
- GLP conformance with built-in time and date

SECURA OPTIONS

- Internal adjustment weight
- Opto-electronic leveling system
- Sqmin safety program
- RS-232 interface cable

Specifications

Weighing Units:

Gram, kilogram, carat, pound, ounce, troy ounce, Hong Kong Tael, Singapore tael, Taiwan tael, grain, pennyweights, milligram, parts per pound, China teal, mommes, Austrian carat, tola, baht, mesghal and newton

Operating Modes:

Mass unit conversion, counting, percent weighing, averaging

Power:

AC adapter, 115 to 240 VAC

Stabilization Time:

3 seconds

Frequency:

50 to 60 Hz

Calibration Weight:

Quintix/Secura213-1S: 200 g
 Quintix/Secura313-1S: 200 g
 Quintix/Secura513-1S: 500 g

Temperature:

Operating:
 10 °C to 30 °C (50 °F to 86 °F)

Humidity:

Less than 95% RH

Est. Weight:

4.5 kg (11 lb)

| Model | Capacity | Readability | Repeatability | Linearity | Weighing Chamber | Pan Size | Dimensions | Part # | List Price |
|----------------|----------|-------------|---------------|-----------|------------------|------------------|---|--------|------------|
| Quintix | | | | | | | | | |
| QUINTIX213-1S | 210 g | 0.001 g | 0.001 g | 2 mg | 7.9 in (209 mm) | 4.75 in (120 mm) | 14.1 × 8.5 × 12.6 in (360 × 216 × 320 mm) | 153994 | \$2,675.00 |
| QUINTIX313-1S | 310 g | 0.001 g | 0.001 g | 2 mg | 7.9 in (209 mm) | 4.75 in (120 mm) | 14.1 × 8.5 × 12.6 in (360 × 216 × 320 mm) | 153995 | \$2,875.00 |
| QUINTIX513-1S | 510 g | 0.001 g | 0.001 g | 2 mg | 7.9 in (209 mm) | 4.75 in (120 mm) | 14.1 × 8.5 × 12.6 in (360 × 216 × 320 mm) | 153996 | \$3,875.00 |
| Secura | | | | | | | | | |
| SECURA213-1S | 210 g | 0.001 g | 0.001 g | 2 mg | 7.9 in (209 mm) | 4.75 in (120 mm) | 14.1 × 8.5 × 12.6 in (360 × 216 × 320 mm) | 154007 | \$2,950.00 |
| SECURA313-1S | 310 g | 0.001 g | 0.001 g | 2 mg | 7.9 in (209 mm) | 4.75 in (120 mm) | 14.1 × 8.5 × 12.6 in (360 × 216 × 320 mm) | 154008 | \$3,200.00 |
| SECURA513-1S | 510 g | 0.001 g | 0.001 g | 2 mg | 7.9 in (209 mm) | 4.75 in (120 mm) | 14.1 × 8.5 × 12.6 in (360 × 216 × 320 mm) | 154009 | \$4,025.00 |

Options/Accessories

| Part# | Model# | Description | Price |
|--------|-----------|--|---------|
| 191429 | 6971790 | AC adapter, 110-240 V, six power plugs | \$67.00 |
| 155847 | YCC03-D09 | Adapter cable, USB to RS-232 | \$76.00 |



Practum/Quintix/Secura Series

Standard Features

- Simple, color capacitive touch with swipe technology
- Monolithic and strain gauge technology
- LCD display
- Aluminum die-cast base, ABS housing
- Front level bubble
- Mini-USB
- Weigh below hook

QUINTIX AND SECURA OPTIONS

- isoCAL/fully automatic, external calibration
- GLP conformance with built-in time and date

SECURA OPTIONS

- Internal adjustment weight
- Opto-electronic leveling system
- Sqmin safety program
- RS-232 interface cable

Specifications

Weighing Units:

Gram, kilogram, carat, pound, ounce, troy ounce, Hong Kong tael, Singapore tael, Taiwan tael, grain, pennyweights, milligram, parts per pound, China teal, mommes, Austrian carat, yola, baht, mesghal and newton

Operating Modes:

Mass unit conversion, counting, percent weighing, averaging

Power:

AC adapter, 115 to 240 V

Stabilization Time:

3 seconds

Frequency:

50 to 60 Hz

Calibration Weight:

612-1S: 500 g
1102-1S: 1,000 g
2102-1S: 2,000 g
5101-1S, 5100-1S: 5,000 g

Temperature:

Operating:
10 °C to 30 °C (50 °F to 86 °F)

Humidity:

Less than 95% RH

Est. Weight:

9 lb (4.5 kg)

Warranty:

Two-year limited

| Model | Capacity | Readability | Repeatability | Linearity | Pan Size | Dimensions | Part # | List Price |
|----------------|----------|-------------|---------------|-----------|---------------|--|--------|------------|
| Quintix | | | | | | | | |
| QUINTIX612-1S | 610 g | 0.01 g | ±10 mg | ±20 mg | 7 in (180 mm) | 14.1 × 8.5 × 12.6 in (360 × 216 × 320 mm) | 153998 | \$2,250.00 |
| QUINTIX1102-1S | 1,100 g | 0.01 g | ±10 mg | ±20 mg | 7 in (180 mm) | 14.1 × 8.5 × 12.6 in (360 × 216 × 320 mm) | 153999 | \$2,550.00 |
| QUINTIX2102-1S | 2,100 g | 0.01 g | ±10 mg | ±20 mg | 7 in (180 mm) | 14.1 × 8.5 × 12.6 in (360 × 216 × 320 mm) | 154000 | \$2,875.00 |
| QUINTIX3102-1S | 3,100 g | 0.01 g | ±10 mg | ±20 mg | 7 in (180 mm) | 14.1 × 8.5 × 12.6 in (360 × 216 × 320 mm) | 154001 | \$3,175.00 |
| QUINTIX5102-1S | 5,100 g | 0.01 g | ±10 mg | ±20 mg | 7 in (180 mm) | 14.1 × 8.5 × 12.6 in (360 × 216 × 320 mm) | 154003 | \$3,925.00 |
| QUINTIX5101-1S | 5,100 g | 0.1 g | 0.1 g | ±0.2 g | 7 in (180 mm) | 14.1 × 8.5 × 12.6 in (360 × 216 × 320 mm) | 154004 | \$2,250.00 |
| QUINTIX5100-1S | 5,100 g | 1.0 g | 1.0 g | ±0.2 g | 7 in (180 mm) | 14.1 × 8.5 × 12.6 in (360 × 216 × 320 mm) | 154002 | \$1,810.00 |
| Secura | | | | | | | | |
| SECURA1102-1S | 1,100 g | 0.01 g | ±10 mg | ±20 mg | 7 in (180 mm) | 8.58 × 14.17 × 3.70 in (218 × 360 × 94 mm) | 154010 | \$2,800.00 |
| SECURA2102-1S | 2,100 g | 0.01 g | ±10 mg | ±20 mg | 7 in (180 mm) | 8.58 × 14.17 × 3.70 in (218 × 360 × 94 mm) | 154011 | \$3,700.00 |
| SECURA3102-1S | 3,100 g | 0.01 g | ±10 mg | ±20 mg | 7 in (180 mm) | 8.58 × 14.17 × 3.70 in (218 × 360 × 94 mm) | 154012 | \$3,625.00 |
| SECURA5102-1S | 5,100 g | 0.01 g | ±10 mg | ±20 mg | 7 in (180 mm) | 8.58 × 14.17 × 3.70 in (218 × 360 × 94 mm) | 154013 | \$4,150.00 |

Options/Accessories

| Part# | Model# | Description | Price |
|--------|-----------|---|---------|
| 191429 | 6971790 | AC adapter, 110 to 240 V, six power plugs | \$67.00 |
| 155847 | YCC03-D09 | Adapter cable, USB to RS-232 | \$76.00 |



BALANCES
SARTORIUS

Cubis® II Series MCA

Standard Features

- Large, high-end, 7 in color touchscreen TFT display in 16:9 format
- Fast stabilization time
- Modular design
- User-configurable and custom designed to meet changing applications
- Meets advanced Pharma compliance including user/password management for security, audit trail function logs and integrated alibi memory
- RS-232 and USB communication
- Choice of display
- Underweigh hook

Specifications

Weighing Units:

Milligram, gram, kilogram, ounce, pound, carat, pennyweight, troy ounce, grain, newton pound/ounce, micrograms (see technical manual for complete listing)

Operating Modes:

Mass unit conversion, SQ min function, ISO-cal function, density determination (buoyancy method only with MSE), calculation, averaging, formulation, percent weighing, totalizing, counting, customized identification, statistics, time control function, second tare memory

Power:

120 VAC adapter (auto ranging)

Stabilization Time:

1202S, 2202S, 4202S, 5201S, 8201S, 12201S: 0.8 seconds
6202P, 6202S, 8202S, 10202S, 5202S, 14202S, 14202P: 1 second

Calibration Weight:

1202S: 1 kg
2202S, 4202S: 2 kg
6202S, 8202S, 5201S, 8201S: 5 kg
5202S: 5,000 g
10202S, 12201S, 14202S, 14202P: 10 kg

Temperature:

Operating: 5 °C to 40 °C (41 °F to 104 °F)

Est. Weight:

21 lb

Warranty:

Ten-year limited

Return Policy:

Sartorius standard policy - restock fee may apply

| Model | Capacity | Readability | Repeatability | Linearity | Pan Size | Dimensions | Part # | List Price |
|-----------|--------------------------------|----------------------------|------------------------|-----------|--------------------------------|--|--------|-------------|
| MCA1202S | 1,200 g | 10 mg | 7 mg | 20 mg | 8.1 × 8.1 in (206 × 206 mm) | 16 × 9.8 × 3.5 in (410 × 249 × 88 mm) | 195733 | \$6,025.00 |
| MCA2202S | 2,200 g | 10 mg | 7 mg | 20 mg | 8.1 × 8.1 in (206 × 206 mm) | 16 × 9.8 × 3.5 in (410 × 249 × 88 mm) | 195732 | \$6,575.00 |
| MCA4202S | 4,200 g | 10 mg | 7 mg | 20 mg | 8.1 × 8.1 in (206 × 206 mm) | 16 × 9.8 × 3.5 in (410 × 249 × 88 mm) | 195731 | \$7,100.00 |
| MCA5201S | 5,200 g | 100 mg | 50 mg | 100 mg | 8.1 × 8.1 in (206 × 206 mm) | 16 × 9.8 × 3.5 in (410 × 249 × 88 mm) | 195736 | \$5,175.00 |
| MCA5202s | 5,200 g | 0.01 g | 0.006 g | 0.01 g | 8.1 × 8.1 in (206 × 206 mm) | 16 × 9.8 × 3.5 in (410 × 249 × 88 mm) | 195820 | \$8,725.00 |
| MCA6202P | 1,500 g 3,000 g 6,200 g | 10 mg 20 mg 50 mg | 7 mg 20 mg 40 mg | 20 mg | 8.1 × 8.1 in (206 × 206 mm) | 16 × 9.8 × 3.5 in (410 × 249 × 88 mm) | 195818 | \$7,325.00 |
| MCA6202S | 6,200 g | 10 mg | 7 mg | 20 mg | 8.1 × 8.1 in (206 × 206 mm) | 16 × 9.8 × 3.5 in (410 × 249 × 88 mm) | 195730 | \$8,025.00 |
| MCA8201S | 8,200 g | 100 mg | 50 mg | 100 mg | 8.1 × 8.1 in (206 × 206 mm) | 16 × 9.8 × 3.5 in (410 × 249 × 88 mm) | 195735 | \$6,650.00 |
| MCA8202S | 8,200 g | 10 mg | 7 mg | 20 mg | 8.1 × 8.1 in (206 × 206 mm) | 16 × 9.8 × 3.5 in (410 × 249 × 88 mm) | 195729 | \$8,950.00 |
| MCA10202S | 10,200 g | 10 mg | 7 mg | 20 mg | 8.1 × 8.1 in (206 × 206 mm) | 16 × 9.8 × 3.5 in (410 × 249 × 88 mm) | 195728 | \$10,200.00 |
| MCA12201S | 12,200 g | 100 mg | 50 mg | 200 mg | 8.1 × 8.1 in (206 × 206 mm) | 16 × 9.8 × 3.5 in (410 × 249 × 88 mm) | 195734 | \$7,250.00 |
| MCA14202S | 14,200 g | 0.01 g | 0.01 g | 0.03 g | 8.1 × 8.1 in (206 × 206 mm) | 16 × 9.8 × 3.5 in (410 × 249 × 88 mm) | 195727 | \$12,300.00 |
| MCA14202P | 3,500 g 7,000 g 14,200 g | 0.01 g 0.02 g 0.05 g | 0.05 g | 0.05 g | 8.1 × 8.1 in (206 × 206 mm) | 16 × 9.8 × 3.5 in (410 × 249 × 88 mm) | 195817 | \$10,750.00 |

Options/Accessories

| Part # | Model # | Description | Price |
|---------|---------|--|----------|
| Consult | TR | Certificate of compliance and full factory test report (factory installed) | Consult |
| Consult | IR | Additional RS-232, 25-pin connection (factory installed) | Consult |
| 156906 | 6971987 | Power supply, 100 to 240 V | \$260.00 |
| 156908 | 6900900 | Cord, power 220V EU | \$50.00 |
| Consult | IP | Additional RS-232, 9-pin connection with PS/2 port (factory installed) | Consult |



Cubis® II Series MCE

Standard Features

- State-of-the-art, TFT touchscreen operation
- Fast stabilization time
- Modular design
- User-configurable and custom designed to meet changing applications
- Meets advanced Pharma compliance including user/password management for security, audit trail function logs and integrated alibi memory
- RS-232 and USB communication
- Underweigh hook

Specifications

Weighing Units:

Milligram, gram, kilogram, ounce, pound, carat, pennyweight, troy ounce, grain, newton pound/ounce, micrograms (see technical manual for complete listing)

Operating Modes:

Mass unit conversion, SQ min function, ISO-cal function, density determination (buoyancy method only with MSE), calculation, averaging, formulation, percent weighing, totalizing, counting, customized identification, Statistics, time control function, second tare memory

Power:

120 VAC adapter (auto ranging)

Stabilization Time:

1202S, 2202S, 4202S, 5201S, 8201S, 12201S: 0.8 seconds
6202P, 6202S, 8202S, 10202S, 5202S, 14202S, 14202P: 1 second

Calibration Weight:

1202S: 1 kg
2202S, 4202S: 2 kg
5201S, 6202S, 8201S, 8202S: 5 kg
5202S: 5,000 g
10202S, 12201S, 14202S, 14202P: 10 kg

Temperature:

Operating:
5 °C to 40 °C (41 °F to 104 °F)

Est. Weight:

21 lb

Warranty:

Ten-year limited

Return Policy:

Sartorius standard policy - restock fee may apply

| Model | Capacity | Readability | Repeatability | Linearity | Pan Size | Dimensions | Part # | List Price |
|-----------|--------------------------------|----------------------------|----------------------------|-----------|--------------------------------|--|--------|-------------|
| MCE1202S | 1,200 g | 10 mg | 7 mg | 20 mg | 8.1 × 8.1 in (206 × 206 mm) | 16 × 9.8 × 3.5 in (410 × 249 × 88 mm) | 195723 | \$5,025.00 |
| MCE2202S | 2,200 g | 10 mg | 7 mg | 20 mg | 8.1 × 8.1 in (206 × 206 mm) | 16 × 9.8 × 3.5 in (410 × 249 × 88 mm) | 195722 | \$5,575.00 |
| MCE4202S | 4,200 g | 10 mg | 7 mg | 20 mg | 8.1 × 8.1 in (206 × 206 mm) | 16 × 9.8 × 3.5 in (410 × 249 × 88 mm) | 195721 | \$6,125.00 |
| MCE5201S | 5,200 g | 100 mg | 50 mg | 100 mg | 8.1 × 8.1 in (206 × 206 mm) | 16 × 9.8 × 3.5 in (410 × 249 × 88 mm) | 195726 | \$4,175.00 |
| MCE5202S | 5,200 g | 0.01 g | 0.006 g | 0.01 g | 8.1 × 8.1 in (206 × 206 mm) | 16 × 9.8 × 3.5 in (410 × 249 × 88 mm) | 195816 | \$7,725.00 |
| MCE6202P | 1,500 g 3,000 g 6,200 g | 10 mg 20 mg 50 mg | 7 mg 20 mg 40 mg | 20 mg | 8.1 × 8.1 in (206 × 206 mm) | 16 × 9.8 × 3.5 in (410 × 249 × 88 mm) | 195815 | \$6,325.00 |
| MCE6202S | 6,200 g | 10 mg | 7 mg | 20 mg | 8.1 × 8.1 in (206 × 206 mm) | 16 × 9.8 × 3.5 in (410 × 249 × 88 mm) | 195720 | \$7,050.00 |
| MCE8201S | 8,200 g | 100 mg | 50 mg | 100 mg | 8.1 × 8.1 in (206 × 206 mm) | 16 × 9.8 × 3.5 in (410 × 249 × 88 mm) | 195725 | \$5,650.00 |
| MCE8202S | 8,200 g | 10 mg | 7 mg | 20 mg | 8.1 × 8.1 in (206 × 206 mm) | 16 × 9.8 × 3.5 in (410 × 249 × 88 mm) | 195719 | \$7,950.00 |
| MCE10202S | 10,200 g | 10 mg | 7 mg | 20 mg | 8.1 × 8.1 in (206 × 206 mm) | 16 × 9.8 × 3.5 in (410 × 249 × 88 mm) | 195718 | \$9,225.00 |
| MCE12201S | 12,200 g | 100 mg | 50 mg | 200 mg | 8.1 × 8.1 in (206 × 206 mm) | 16 × 9.8 × 3.5 in (410 × 249 × 88 mm) | 195724 | \$6,250.00 |
| MCE14202s | 14,200 g | 0.01 g | 0.01 g | 0.03 g | 8.1 × 8.1 in (206 × 206 mm) | 16 × 9.8 × 3.5 in (410 × 249 × 88 mm) | 195717 | \$11,300.00 |
| MCE14202P | 3,500 g 7,000 g 14,200 g | 0.01 g 0.02 g 0.05 g | 0.01 g 0.02 g 0.01 g | 0.05 g | 8.1 × 8.1 in (206 × 206 mm) | 16 × 9.8 × 3.5 in (410 × 249 × 88 mm) | 195812 | \$9,750.00 |

BALANCES
SARTORIUS

Options/Accessories

| Part # | Model # | Description | Price |
|---------|---------|--|----------|
| Consult | TR | Certificate of compliance and full factory test report (factory installed) | Consult |
| Consult | IR | Additional RS-232, 25-pin connection (factory installed) | Consult |
| 156906 | 6971987 | Power supply, 100 to 240 V | \$260.00 |
| 156908 | 6900900 | Cord, power 220V EU | \$50.00 |
| Consult | IP | Additional RS-232, 9-pin connection with PS/2 port (factory installed) | Consult |



Entris® II Series Basic Essential

Standard Features

- Backlit LED touchscreen
- User-friendly operation
- Basic applications
- Monolithic weighing systems
- Aluminum die-cast base, ABS housing
- Front level bubble
- RS-232 standard
- Weigh below hook

Specifications

Weighing Units:

Gram, kilogram, ounce, pound, carat, pennyweight, troy ounce, grain, newton (see technical manual for complete listing)

Operating Modes:

Weighing, density, percentage, counting, mass unit conversion

Power:

AC adapter, 115 to 240 V, US plug

Stabilization Time:

1.5 seconds

Calibration Weight:

BCE622I-1S, BCE822II-1S, BCE1202I-1S, BCE2202I-1S: 500 g
 BCE2201I-1S: 2,000 g
 BCE3202I-1S, BCE4202I-1S, BCE5201I-1S, BCE6202I-1S, BCE6200I-1S, BCE8201I-1S, BCE8200I-1S: 5,000 g

Temperature:

Operating:
 5 °C to 40 °C (41 °F to 104 °F)

Humidity:

15% to 80% for temperatures up to 31 °C

Est Weight:

BCE822II-1: 10.6 lb (4.8 kg)
 BCE1202I-1S: 12 lb (5.4 kg)
 BCE622I-1S, BCE2202I-1S: 13.9 lb (6.3 kg)
 BCE2201I-1S, BCE3202I-1S, BCE4202I-1S, BCE5201I-1S, BCE6202I-1S, BCE6200I-1S, BCE8201I-1S, BCE8200I-1S: 12 lb (5.4 kg)

Warranty:

Two-year limited

Return Policy:

Sartorius standard policy - restock fee may apply

| Model | Capacity | Readability | Repeatability | Linearity | Pan Size | Dimensions | Part # | List Price |
|-------------|----------|-------------|---------------|-----------|--|--|--------|------------|
| BCE622I-1S | 620 g | 0.01 g | ±1 mg | ±2 mg | 4.7 in (120 mm) | 9.1 × 11.9 × 13 in (230 × 303 × 330 mm) | 197399 | \$1,650.00 |
| BCE822II-1S | 820 g | 0.01 g | ±1 mg | ±2 mg | 4.7 in (120 mm) | 9.1 × 11.9 × 5.4 in (230 × 303 × 136 mm) | 197401 | \$1,780.00 |
| BCE1202I-1S | 1,200 g | 0.01 g | ±1 mg | ±2 mg | 4.7 in (120 mm) | 9.1 × 11.9 × 5.4 in (230 × 303 × 136 mm) | 197402 | \$1,910.00 |
| BCE2202I-1S | 2,200 g | 0.01 g | ±1 mg | ±2 mg | 4.7 in (120 mm) | 9.1 × 11.9 × 5.4 in (230 × 303 × 136 mm) | 197403 | \$2,040.00 |
| BCE2201I-1S | 2,200 g | 0.1 g | ±0.1 g | ±0.3 g | 4.7 in (120 mm) | 9.1 × 11.9 × 5.4 in (230 × 303 × 136 mm) | 197404 | \$1,780.00 |
| BCE3202I-1S | 3,200 g | 0.01 g | ±0.1 g | ±0.3 g | 4.7 in (120 mm) | 9.1 × 11.9 × 5.4 in (230 × 303 × 136 mm) | 197405 | \$2,160.00 |
| BCE4202I-1S | 4,200 g | 0.01 g | ±0.1 g | ±0.3 g | 7.1 × 7.1 × 3.6 in (180 × 180 × 91 mm) | 9.1 × 11.9 × 5.4 in (230 × 303 × 136 mm) | 197406 | \$2,410.00 |
| BCE5201I-1S | 5,200 g | 0.1 g | ±0.1 g | ±0.3 g | 7.1 × 7.1 × 3.6 in (180 × 180 × 91 mm) | 9.1 × 11.9 × 5.4 in (230 × 303 × 136 mm) | 197407 | \$1,910.00 |
| BCE6202I-1S | 6,200 g | 0.01 g | ±0.1 g | ±0.3 g | 7.1 × 7.1 × 3.6 in (180 × 180 × 91 mm) | 9.1 × 11.9 × 5.4 in (230 × 303 × 136 mm) | 197408 | \$3,050.00 |
| BCE6200I-1S | 6,200 g | 1.0 g | ±0.1 g | ±0.3 g | 7.1 × 7.1 × 3.6 in (180 × 180 × 91 mm) | 9.1 × 11.9 × 5.4 in (230 × 303 × 136 mm) | 197409 | \$1,780.00 |
| BCE8201I-1S | 8,200 g | 0.1 g | ±0.1 g | ±0.3 g | 7.1 × 7.1 × 3.6 in (180 × 180 × 91 mm) | 9.1 × 11.9 × 5.4 in (230 × 303 × 136 mm) | 197410 | \$2,160.00 |
| BCE8200I-1S | 8,200 g | 1.0 g | ±0.1 g | ±0.3 g | 7.1 × 7.1 × 3.6 in (180 × 180 × 91 mm) | 9.1 × 11.9 × 5.4 in (230 × 303 × 136 mm) | 197411 | \$1,910.00 |

BALANCES
SARTORIUS

Options/Accessories

| Part # | Model # | Description | Price |
|--------|------------|---|------------|
| 112261 | YDP20-OCE | Data printer (printer requires power supply part number 191429) | \$1,580.00 |
| 31103 | 6906937 | Paper rolls, one roll | \$75.00 |
| 31106 | 6906918 | Ink ribbon cassette | \$105.00 |
| 201911 | YCC-D09MF | Data cable RS-232, DB-9M to DB-9F (For YDP20 Printer) | \$85.00 |
| 204042 | YEPS01-PS8 | Replacement AC adapter with interchangeable plugs (included with Entris II) | \$61.00 |
| 191429 | YEPS01-PS4 | AC adapter with interchangeable plugs (for use with YDP20-OCE printer) | \$67.00 |



Entris® II Series Basic Advanced

Standard Features

- User-friendly operation
- Basic applications
- Monolithic weighing systems
- Aluminum die-cast base, ABS housing
- Front level bubble
- RS-232 standard
- Below balance weighing

Specifications

Weighing Units:

Gram, kilogram, ounce, pound, carat, pennyweight, troy ounce, grain, newton (see technical manual for complete listing)

Operating Modes:

Weighing, density, percentage, counting, mass unit conversion, mixing, statistics, components, animal weighing, checkweighing, peak hold and pipette test

Power:

AC adapter, 115 to 240 V, US plug

Stabilization Time:

1.5 seconds

Calibration Weight:

BCA822I-1S, BCA1202I-1S, BCA2201I-1S: 500 g
 BCA2202I-1S: 2,000 g
 BCA3202I-1S, BCA4202I-1S, BCA5201I-1S,
 BCA6202I-1S, BCA8201I-1S, BCA10201I-1S,
 BCA12201I-1S: 5,000 g

Temperature:

Operating:
 5 °C to 40 °C (41 °F to 104 °F)

Humidity:

15% to 80% for temperatures up to 31 °C

Est. Weight:

BCA822I-1S, BCA2201I-1S, BCA2202I-1S,
 BCA3202I-1S, BCA4202I-1S, BCA5201I-1S,
 BCA6202I-1S, BCA8201I-1S, BCA10201I-1S,
 BCA12201I-1S: 13.9 lb (6.3 kg)
 BCA1202I-1S: 10.6 lb (4.8 kg)

Warranty:

Two-year limited

Return Policy:

Sartorius Standard Policy - restock fee may apply

| Model | Capacity | Readability | Repeatability | Linearity | Pan Size | Dimensions | Part # | List Price |
|--------------|----------|-------------|---------------|-----------|--|---|--------|------------|
| BCA822I-1S | 820 g | 10 mg | ±1 mg | ±2 mg | 4.7 in (120 mm) | 17.72 × 9.84 × 13.78 in (45 × 25 × 35 cm) | 202476 | \$2,240.00 |
| BCA1202I-1S | 1,200 g | 10 mg | ±1 mg | ±2 mg | 4.7 in (120 mm) | 17.72 × 9.84 × 13.78 in (45 × 25 × 35 cm) | 202477 | \$2,480.00 |
| BCA2201I-1S | 2,200 g | 0.1 g | ±1 mg | ±2 mg | 4.7 in (120 mm) | 17.72 × 9.84 × 13.78 in (45 × 25 × 35 cm) | 202479 | \$2,120.00 |
| BCA2202I-1S | 2,200 g | 10 mg | ±0.1 g | ±0.3 g | 4.7 in (120 mm) | 17.72 × 9.84 × 13.78 in (45 × 25 × 35 cm) | 202480 | \$2,700.00 |
| BCA3202I-1S | 3,200 g | 10 mg | ±0.1 g | ±0.3 g | 4.7 in (120 mm) | 17.72 × 9.84 × 13.78 in (45 × 25 × 35 cm) | 202481 | \$2,950.00 |
| BCA4202I-1S | 4,200 g | 10 mg | ±0.1 g | ±0.3 g | 7.1 × 7.1 × 3.6 in (180 × 180 × 91 mm) | 17.72 × 9.84 × 13.78 in (45 × 25 × 35 cm) | 202482 | \$2,600.00 |
| BCA5201I-1S | 5,200 g | 0.1 g | ±0.1 g | ±0.3 g | 7.1 × 7.1 × 3.6 in (180 × 180 × 91 mm) | 17.72 × 9.84 × 13.78 in (45 × 25 × 35 cm) | 202483 | \$2,360.00 |
| BCA6202I-1S | 6,200 g | 10 mg | ±0.1 g | ±0.3 g | 7.1 × 7.1 × 3.6 in (180 × 180 × 91 mm) | 17.72 × 9.84 × 13.78 in (45 × 25 × 35 cm) | 202484 | \$4,250.00 |
| BCA8201I-1S | 8,200 g | 0.1 g | ±0.1 g | ±0.3 g | 7.1 × 7.1 × 3.6 in (180 × 180 × 91 mm) | 17.72 × 9.84 × 13.78 in (45 × 25 × 35 cm) | 202485 | \$2,825.00 |
| BCA10201I-1S | 10,200 g | 0.1 g | ±0.1 g | ±0.3 g | 7.1 × 7.1 × 3.6 in (180 × 180 × 91 mm) | 17.72 × 9.84 × 13.78 in (45 × 25 × 35 cm) | 202486 | \$4,250.00 |
| BCA12201I-1S | 12,200 g | 0.1 g | ±0.1 g | ±0.3 g | 7.1 × 7.1 × 3.6 in (180 × 180 × 91 mm) | 17.72 × 9.84 × 13.78 in (45 × 25 × 35 cm) | 202487 | \$4,475.00 |

Options/Accessories

| Part# | Model# | Description | Price |
|--------|------------|---|------------|
| 112261 | YDP20-OCE | Data printer (printer requires power supply part number 191429) | \$1,580.00 |
| 31103 | 6906937 | Paper rolls, one roll | \$75.00 |
| 31106 | 6906918 | Ink ribbon cassette | \$105.00 |
| 201911 | YCC-D09MF | Data cable RS-232, DB-9M to DB-9F (For YDP20 Printer) | \$85.00 |
| 204042 | YEPS01-PS8 | Replacement AC adapter with interchangeable plugs (included with Entris II) | \$61.00 |
| 191429 | YEPS01-PS4 | AC adapter with interchangeable plugs (for use with YDP20-OCE printer) | \$67.00 |



**BALANCES
SARTORIUS**

MA35, MA37 and MA160 Series

Standard Features

- High-speed measurements
- Effortless cleaning
- User-friendly operation
- Display of process status

Specifications

Heating Element:

MA35, MA37: Infrared metal heating element
 MA160: Infrared radiation by an AURI heater, 600 W

Heating Modes:

MA35, MA37: Standard drying
 MA160: Standard drying, gentle drying

Power:

120/230 VAC multi-range adapter

Display Modes for Results:

Moisture content in % M and g; dry matter in % S and g; ATRO in % M/S

Data Interface:

MA35: RS-232
 MA37: Mini USB
 MA160: M-Mini USB

Calibration Weight:

MA35: 30 g
 MA37: 50 g
 MA160: 200 g

Temperature:

Operating:
 10 °C to 30 °C (50 °F to 86 °F)
 Settings:
 40 °C to 160 °C (104 °F to 320 °F)

Est. Weight:

MA35: 12.8 lb (5.8 kg)
 MA37, MA160: 13.7 lb (6.2 kg)

Warranty:

Two-year limited

Return Policy:

Sartorius standard policy - restock fee may apply

| Model | Capacity | Readability | Repeatability | Pan Size | Dimensions | Part # | List Price |
|-------|----------|-------------|---|-------------------|---|--------|------------|
| MA35 | 35 g | 0.001 g | For initial sample weight approx >1 ±0.2%; for initial sample weight >5 ±0.05% | 3.5 in (90 mm) | 8.8 × 14.4 × 7.5 in (224 × 366 × 191 mm) | 191983 | \$3,325.00 |
| MA37 | 70 g | 0.001 g | For initial sample weight approx >1 ±0.2%; for initial sample weight >5 ±0.05% | 3.5 in (90 mm) | 8.5 × 15.7 × 8.3 in (215 × 400 × 210 mm) | 165963 | \$4,650.00 |
| MA160 | 200 g | 0.01 g | For initial sample weight approx >1 ±0.2%; for initial sample weight >5 ±0.05% | 3.5 in (90 mm) | 8.5 × 15.7 × 8.3 in (215 × 400 × 210 mm) | 165964 | \$5,850.00 |



Standard Features

- Converts serial data such as bar code reader or scale into keyboard input to software program
- Works with PC and MAC® computers
- Requires no driver installation (identifies itself as additional HID keyboard)
- Cable draws power from USB port (no external power supply needed)
- Test cable to be connected with adapter scale cable or connector
- Bluetooth® version allows connection to devices like iPad®, Android® tablets and smart cell phones

Specifications

Power:
USB power, no external power supply

Baud Rate:
9600

Color:
Black

Cable Length:
74 in (1,880 mm)

Bluetooth Cable Length:
16 in (406 mm)

Host:
PC and MAC compliant

Connection:
DB9 male connector, Pin 2 RX, Pin 3 TX and Pin 5 Ground USBA connector

Part Number/Price

| Part # | Description | Weight | Price |
|--------|---|--------|----------|
| 119919 | RS-232/USB serial cable | 1lb | \$190.00 |
| 132452 | RS-232/USB serial cable plus Bluetooth® | 1lb | \$275.00 |

Options/Accessories

| Part # | Description | Price |
|--------|--|---------|
| 119064 | Slimline null modem, gender changer DB9 female to female | \$12.50 |
| 22436 | Blunt-end to DB9 female, straight cable | \$70.00 |
| 50749 | DB9 female to DB9 female | \$60.00 |
| 130789 | Null model DB9 adapter female to male | \$14.50 |



Go-Between™

Standard Features

- LED onboard for testing data transmission
- Captures data and stores it on a USB flash drive (up to 8 GB not included)
- Transfer data to your PC using the USB flash drive
- Text file examples (actual text will be dependent on transmitted file)
- 02:50PM
11/13/2012
GROSS 58 lb
- 02:50PM
11/13/2012
GROSS 68 lb

Specifications

- Power:**
Requires 5 VDC
- Baud Rate:**
9600
- Data Bits:**
8
- Parity:**
None
- Customer Supplied:**
Power and USB flash drive

Industrial Enclosure Option:

7.5 × 7.5 × 4.5 in
(19 × 19 × 12 cm)
Latch for lock

Warranty:

One-year limited

Part Number/Price

| Part # | Description | Price |
|--------|---|----------|
| 153265 | go-between board, requires 5 volts | \$435.00 |
| 153266 | go-between industrial enclosure, requires 5 volts | \$630.00 |
| 153267 | go-between desk enclosure, power supply included | \$525.00 |

Options/Accessories

| Part # | Description | Price |
|--------|---|-----------|
| 154797 | Adapter, power 5 VDC 2A 90 to 264 VAC, U.S. plug, cULus | \$37.00 |
| 195607 | USB flash drive, 8 GB | \$9.00 |
| 130789 | Null model DB9 adapter female to male | \$14.50 |
| 119064 | Null modem adapter, DB9 F/F | \$12.50 |
| 50764 | Straight cable, DB9 F/F | \$69.00 |
| 66535 | Null modem DB9 F/F | \$46.00 |
| 22436 | DB9 cable to blunt end | \$70.00 |
| 15493 | Cable four-conductor | \$1.55/ft |



Kasota Stone Balance Slab

Standard Features

- Balance slabs
- Balance tables
- Anti-vibration



Reduces vibration and shock, ideal where tables will not fit.

Part Number/Price

| Part # | Description | Price |
|--|------------------------|----------|
| Standard Balance Slab, Kasota Stone | | |
| 83779 | 15 × 20 × 3 in, 100 lb | \$475.00 |

Kasota Stone Balance Table

Standard Features

- Balance slabs
- Balance tables
- Anti-vibration



Provides the most stable surface possible for precision instruments. Legs are reinforced with support pipe.

Part Number/Price

| Part # | Description | Price |
|---|-------------------------|------------|
| Standard Balance Table, Kasota Stone | | |
| 83778 | 24 × 35 × 32 in, 700 lb | \$1,260.00 |

Granite Clean Room Table

Standard Features

- Balance slabs
- Balance tables
- Anti-vibration



Mass, density and vibration damping properties for most applications (four damping pads included).

Part Number/Price

| Part # | Description | Price |
|----------------------------------|-------------------------|------------|
| Clean Room Table, Granite | | |
| 83780 | 24 × 35 × 32 in, 600 lb | \$2,850.00 |

Anti-Vibration Pad

Standard Features

- Balance slabs
- Balance tables
- Anti-vibration



Part Number/Price

| Part # | Description | Price |
|---------------------------|---------------------------------------|---------|
| Anti-Vibration Pad | | |
| 75263 | Anti-vibration pad 4 × 4 1/2 in-thick | \$17.75 |

Scoops

Standard Features

- Aluminum
- Polypropylene
- Stainless steel



PN 33447

Part Number/Price

| Part # | Description | Price |
|--------|---|----------|
| 33447 | Stainless steel, 12 × 6 × 2.75 in (304 × 152 × 70 mm) | \$175.00 |
| 33454 | Black, aluminum 4.0 × 3.5 in (102 × 89 mm) | \$51.00 |
| 97250 | Stainless steel scoop 11.9 × 7.4 × 1.7 in | \$98.00 |



PN 33454

Static Control

NRD is the industry leader for providing advanced ionization products to eliminate electrostatic discharge and static attraction. The success of NRD devices is based on unique and extremely effective ionization sources that use alpha-energy to neutralize static electricity. Unlike electrical ionization systems, NRD ion sources don't just control static, they eliminate it by providing a constant balance of \pm zero volts.

The ion sources are entirely self-powered and never require any calibration or adjustment; therefore, there are no operating costs associated with them throughout their lifetime. Because NRD ion sources do not require electricity and are completely safe, they are ideal for

use in any application, including highly-volatile environments.

Static charge buildup is the cause of many production problems including downtime, reduced product quality, and ultimately increased costs and reduced profits. Although the static charges cannot be seen, they are quite noticeable.

Thousands of volts of electricity can easily accumulate on the surfaces of in-process materials. This buildup can ignite combustibles, shock personnel, destroy sensitive electronic components and cause many types of production problems. In addition, static attraction of dirt, dust and other foreign matter contaminates products

and process equipment, which intensifies processing problems.

NRD alpha-energy devices rapidly neutralize charged materials. This is accomplished by emitting a flood of both positively and negatively charged ions in the vicinity of the affected material. The charged material then attracts a sufficient quantity of oppositely charged ions to completely eliminate its static charge.

NRD alpha-energy ion sources totally eliminate static buildup, not just reduce it, as with other methods of static control. As with all types of ion sources, ionized air has absolutely no adverse effects on personnel.



Return For Disposal

The ionizers can be sent to:

NRD Static Control
2937 Alt Boulevard
Grand Island, NY 14072

The box must be clearly marked with "UN2911" on the outside, so NRD knows what to do with them. An RMA is not required, and there is no charge for a recycling fee.



1 x 3 in Ionizing Strip



1 x 1 in Ionizing Strip



1 in Static Brush



3 in Static Brush



Stand Ionizer

BALANCES
ACCESSORIES

Static Control

Ionizers

| Part # | Staticmaster Part # | Description | Price |
|--------|---------------------|----------------------|------------|
| 164648 | 4068 | Mini-fan ionizer | \$140.00 |
| 164649 | 6105 | I-beam stand ionizer | \$1,070.00 |

Ionizing Strips - 1 inch

| Part # | Staticmaster Part # | Description | Price |
|--------|---------------------|---------------------|----------|
| 76677 | 1U400 | ionizing unit, 1 in | \$250.00 |
| 76678 | 1U200 | ionizing unit, 1 in | \$150.00 |

Static Brushes - 1 inch

| Part # | Staticmaster Part # | Description | Price |
|--------|---------------------|-----------------------|----------|
| 76669 | 1C200 | Static brush, 1 in | \$140.00 |
| 76670 | 1C200R | Replacement cartridge | \$90.00 |

Ionizing Strips - 3 inch

| Part # | Staticmaster Part # | Description | Price |
|--------|---------------------|-------------------------|----------|
| 76676 | 2U500 | ionizing unit, 1 × 3 in | \$250.00 |

Static Brushes - 3 inch

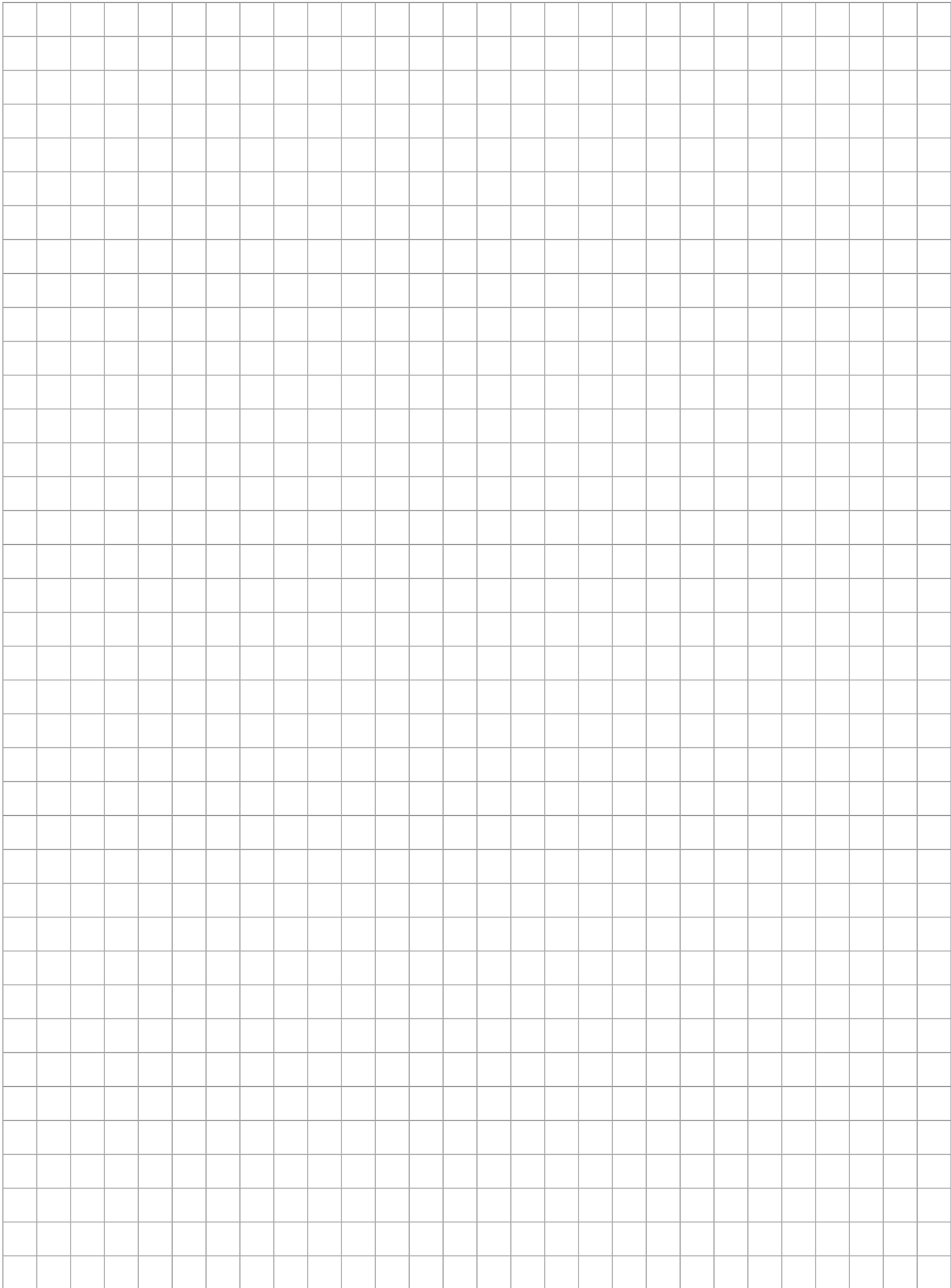
| Part # | Staticmaster Part # | Description | Price |
|--------|---------------------|-----------------------|----------|
| 76671 | 3C500 | Static brush, 3 in | \$210.00 |
| 76672 | 3C500R | Replacement cartridge | \$145.00 |

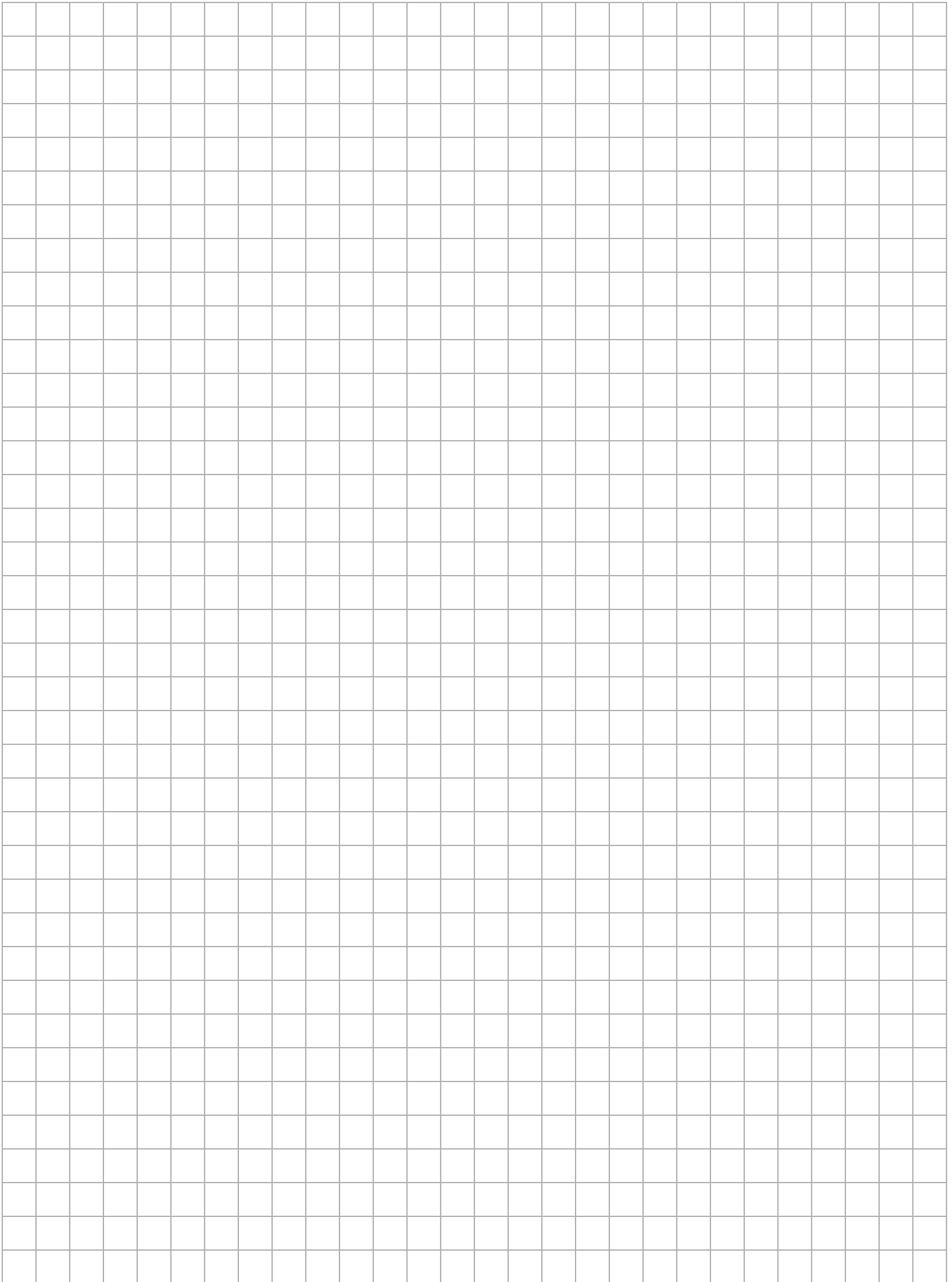
Ionizing Strip Accessories

| Part # | Staticmaster Part # | Description | Price |
|--------|---------------------|--|----------|
| 76679 | BF1 | Ionizer positioner | \$73.00 |
| 76680 | BF2 | ionizer positioner only - C bracket | \$105.00 |
| 163601 | BF3 | EZ-Mount, 2U500 BF3 option mounts 2U500 to balance chamber | \$15.75 |
| 163602 | 5060 | Grounding kit, 2U500 5060 enhances static eliminating power Staticmaster 2U500 | \$31.50 |



Mini-fan Ionizer





Belt Scales

TABLE OF CONTENTS

| | |
|---|------------|
| Master™ 311 Belt Scale Weigh Frame | 150 |
| <i>Medium to Heavy Capacity Weigh Frame</i> | |
| Master™ 221DB Belt Scale Weigh Frame | 151 |
| <i>Medium to Heavy Capacity Belt Scale</i> | |
| Master™ 211 Belt Scale Weigh Frame | 152 |
| <i>Medium to Heavy Capacity Weigh Frame</i> | |
| Master™ 14X Belt Scale Weigh Frame | 153 |
| <i>Medium to Heavy Capacity Weigh Frame</i> | |
| Master™ 421 Belt Scale Weigh Frame | 154 |
| <i>Light Capacity Weigh Frame</i> | |
| BCi Belt Scale Weigh Frame | 155 |
| <i>In-motion Belt Scale System</i> | |
| <i>Dimensions</i> | |
| 882D | 157 |
| <i>Belt Scale Integrator</i> | |
| SCT-4XD | 159 |
| <i>Belt Scale Integrator</i> | |
| Speed Sensor | 161 |
| Belt Scale Application | 162 |

Product names, logos, brands and other trademarks featured or referred to within this publication are the property of their respective trademark holders.

Master™ 311 Belt Scale Weigh Frame

Medium to Heavy Capacity Weigh Frame



Standard Features

- Semi-modular weigh frame design
- Weigh frame without moving parts
- Fits standard conveyors
- Mounts with four bolts
- Requires weigh frame cutting for proper fit
- Minimal modifications to conveyor required

Options

- Galvanized or stainless construction
- Custom widths available
- Custom lifting weights available on request

Applications

- Mining, quarries, bulk material blending, process control and retrofit

Specifications

Belt Width:

18 to 36 in (457 to 914 mm)

Capacity:

1,500 tons per hour

Belt Speed:

Maximum 400 ft/minute (2 m/s)

Inclination:

Maximum 12 degrees

Material:

Powder coated mild steel

Accuracy System:

1%

Load Cell:

RL1218A: 50 kg, 100 kg, 250 kg

Warranty:

One-year limited

Part Number/Price

| Part # | Description | Est. Weight | Price |
|---------|---|-------------|------------|
| 215021 | Master 311 belt scale weigh frame, 18 in belt with 75 kg load cell | 125 lb | \$1,300.00 |
| 215022 | Master 311 belt scale weigh frame, 24 in belt with 75 kg load cell | 125 lb | \$1,300.00 |
| 215023 | Master 311 belt scale weigh frame, 24 in belt with 150 kg load cell | 125 lb | \$1,300.00 |
| 215025 | Master 311 belt scale weigh frame, 30 in belt with 150 kg load cell | 125 lb | \$1,400.00 |
| 215030 | Master 311 belt scale weigh frame, 30 in belt with 250 kg load cell | 125 lb | \$1,400.00 |
| 215031 | Master 311 belt scale weigh frame, 36 in belt with 250 kg load cell | 125 lb | \$1,500.00 |
| Consult | Lifting weight kit | | Consult |

Please complete the Belt Scale Application on page 162 to obtain a quote

Master™ 221DB Belt Scale Weigh Frame

Medium to Heavy Capacity Belt Scale



Part Number/Price

| Part # | Description | Est. Weight | Price |
|--------|---|-------------|------------|
| 163292 | 221DB belt scale with 50 kg load cells | 143 lb | \$3,500.00 |
| 163293 | 221DB belt scale with 100 kg load cells | 143 lb | \$3,500.00 |
| 163294 | 221DB belt scale with 200 kg load cells | 143 lb | \$3,500.00 |
| 202591 | 221DB stainless steel belt scale with 50 kg load cells | 143 lb | \$5,200.00 |
| 202592 | 221DB stainless steel belt scale with 100 kg load cells | 143 lb | \$5,200.00 |
| 202593 | 221DB stainless steel belt scale with 200 kg load cells | 143 lb | \$5,200.00 |

Please complete the Belt Scale Application on page 162 to obtain a quote

Standard Features

- Weigh frame is mounted on the outside of conveyor
- Minimal modifications to conveyor are required
- Service friendly
- Friction-free pivot supports
- Two support beams
- Fits standard conveyors
- Mounts with four bolts

Options

- Galvanized or stainless construction

Applications

- Medium to heavy capacity

Specifications

Conveyor Width:

18 to 72 in (457 to 1,829 mm)

Capacity:

3,300 tons per hour

Maximum Belt Speed:

800 ft/minute (4 m/s)

Inclination:

Maximum 25 degrees

Material:

Powder coated mild steel

Accuracy System:

0.5% to 1%

Load Cell:

RL9018SS: 50 kg, 100 kg, 200 kg

Junction Box:

JB4SS

Warranty:

One-year limited

Master™ 211 Belt Scale Weigh Frame

Medium to Heavy Capacity Weigh Frame



Standard Features

- Friction-free pivot points
- One load cell carrier beam
- Fits standard conveyors
- Custom built for each application

Options

- 304/316 Stainless steel
- Dual load cells
- Dual idler
- Custom lifting weights available on request

Applications

- Medium to heavy capacity, mining and agriculture

Specifications

Conveyor Width:
20 to 80 in (500 to 2,000 mm)

Capacity:
3,000 tons per hour

Maximum Belt Speed:
800 ft/minute (4 m/s)

Maximum Inclination:
25 degrees

Material:
Powder coated mild steel

Accuracy System:
0.5%

Load Cell:
RL20001 alloy steel, S-beam
(capacity selected from application)

Warranty:
One-year limited

Part Number/Price

| Part # | Description | Price |
|---------|--------------------|---------|
| Consult | Lifting weight kit | Consult |

Please complete the Belt Scale Application on page 162 to obtain a quote

Master™ 14X Belt Scale Weigh Frame

Medium to Heavy Capacity Weigh Frame



Standard Features

- Custom built for each application
- Fits standard conveyors
- Multiple idler design
- Inner frame has free-floating platform

Options

- 304 stainless steel
- Two, three or four weigh idlers
- Customer lifting weights available upon request

Applications

- Medium to heavy capacity, mining and aggregate

Specifications

Conveyor Width:

20 to 120 in (500 to 3,000 mm)

Capacity:

20,000 tons per hour

Belt Speed:

1,400 ft/minute (7 m/s)

Inclination:

25 degrees

Material:

Powder coated mild steel

Accuracy Guidelines:

0.25%

Load Cell:

RL20001 alloy steel S-beam
(capacity selected from application)

Warranty:

One-year limited

Part Number/Price

| Part # | Description | Price |
|---------|--------------------|---------|
| Consult | Master 142 | Consult |
| Consult | Master 143 | Consult |
| Consult | Master 144 | Consult |
| Consult | Lifting weight kit | Consult |

Please complete the Belt Scale Application on page 162 to obtain a quote

Master™ 421 Belt Scale Weigh Frame

Light Capacity Weigh Frame



Standard Features

- Ideal for flat belt conveyors
- Roller supported on both sides by load cells
- Open design for easy cleaning

Applications

- Light capacity, food production and light granular materials

Specifications

Conveyor Width:

12 to 60 in (300 to 1,600 mm)

Capacity:

30 tons per hour

Belt Speed:

400 ft/minute (2 m/s)

Inclination:

10 degrees

Material:

Powder coated mild steel, 304/316 stainless steel

Accuracy Systems:

1.0%

Load Cell:

RL9018SS single-ended beam in 10 kg, 20 kg or 50 kg capacities

Warranty:

One-year limited

Part Number/Price

| Part # | Description | Price |
|---------|-----------------|------------|
| Consult | 421 weigh frame | \$2,575.00 |

Please complete the Belt Scale Application on page 162 to obtain a quote

BCi Belt Scale Weigh Frame

In-motion Belt Scale System



Note: Idler not included. Customer is responsible for mounting idler to weigh frame.

Standard Features

- Fits standard conveyors using CEMA-C idlers
- No moving parts
- Four shear laterally opposed shear beam load cells
- Fabricated with heavy gauge steel
- Minimal conveyor modifications required for installation

Applications

- Mining, quarries, bulk material blending, process control, utilities, truck/berge/rail loading and retrofit

Specifications

Conveyor Widths:

18 to 72 in

Capacity:

Up to 10,000 tons per hour

Belt Speed:

Up to 1,200 feet per minute

Accuracy Guidelines:

Guidelines assume clean belt with automatic tensioning system. Accuracy guidelines are typical. System accuracy may vary depending on environmental influences.

System Accuracy:

Single to two idler system: 0.5% to 1% total error

Part Number/Price

| Part # | Description | Est. Belt Width | Capacity | Price |
|-------------------------------------|---|-----------------|----------|------------|
| Mild Steel Weigh Frames | | | | |
| 94968 | 24 in weigh frame | 18 in | 500 lb | \$2,800.00 |
| 95208 | 30 in weigh frame | 24 in | 500 lb | \$2,800.00 |
| 95209 | 36 in weigh frame | 30 in | 500 lb | \$2,800.00 |
| 95210 | 42 in weigh frame | 36 in | 500 lb | \$2,800.00 |
| 95211 | 48 in weigh frame | 42 in | 500 lb | \$2,800.00 |
| 95212 | 54 in weigh frame | 48 in | 500 lb | \$2,800.00 |
| 96717 | 60 in weigh frame | 54 in | 1,000 lb | \$2,800.00 |
| 96718 | 66 in weigh frame | 60 in | 1,000 lb | \$2,800.00 |
| 96719 | 72 in weigh frame | 66 in | 1,000 lb | \$2,800.00 |
| Consult | Light-capacity weigh frames | | | \$3,185.00 |
| Stainless Steel Weigh Frames | | | | |
| 110839 | 24 in weigh frame | 18 in | 500 lb | \$5,300.00 |
| 105246 | 30 in weigh frame | 24 in | 500 lb | \$5,300.00 |
| 110841 | 36 in weigh frame | 30 in | 500 lb | \$5,300.00 |
| 110842 | 42 in weigh frame | 36 in | 500 lb | \$5,300.00 |
| 110843 | 48 in weigh frame | 42 in | 500 lb | \$5,300.00 |
| 110844 | 54 in weigh frame | 48 in | 500 lb | \$5,300.00 |
| 110845 | 60 in weigh frame | 54 in | 500 lb | \$5,300.00 |
| 110846 | 66 in weigh frame | 60 in | 500 lb | \$5,300.00 |
| 110847 | 72 in weigh frame | 66 in | 500 lb | \$5,300.00 |
| Consult | Light-capacity weigh frames | | | \$4,595.00 |
| Weigh Frame Accessories | | | | |
| 126282 | V-bolt for 3 in angle iron base idlers set of 2 | | | \$95.00 |
| 126283 | V-bolt for 4 in angle iron base idlers set of 2 | | | \$105.00 |

Please complete the Belt Scale Application on page 162 to obtain a quote

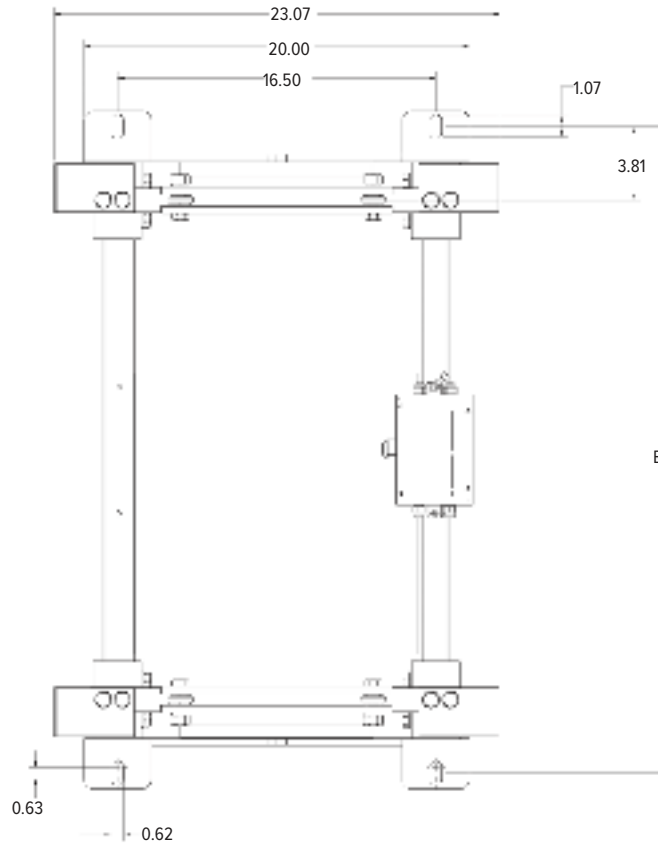
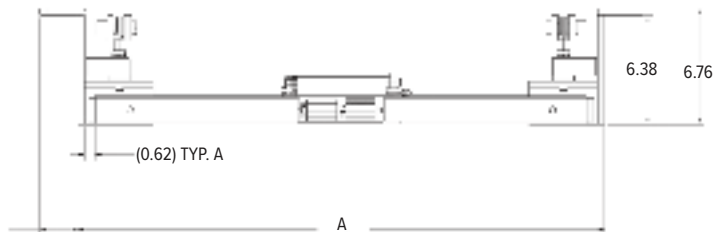
BCi Belt Scale Weigh Frame

In-motion Belt Scale System

Dimensions

| Part Number | A | B |
|-------------------|----------|----------|
| Mild Steel | | |
| 94968 | 24.00 in | 27.50 in |
| 95208 | 30.00 in | 33.50 in |
| 95209 | 36.00 in | 39.50 in |
| 95210 | 42.00 in | 45.50 in |
| 95211 | 48.00 in | 51.50 in |
| 95212 | 54.00 in | 57.50 in |
| 96717 | 60.00 in | 63.50 in |
| 96718 | 66.00 in | 69.50 in |
| 96719 | 72.00 in | 75.50 in |

| Part Number | A | B |
|------------------------|----------|----------|
| Stainless Steel | | |
| 110839 | 24.00 in | 27.50 in |
| 105246 | 30.00 in | 33.50 in |
| 110841 | 36.00 in | 39.50 in |
| 110842 | 42.00 in | 45.50 in |
| 110843 | 48.00 in | 51.50 in |
| 110844 | 54.00 in | 57.50 in |
| 110845 | 60.00 in | 63.50 in |
| 110846 | 66.00 in | 69.50 in |
| 110847 | 72.00 in | 75.50 in |



Note: Cables on drawings removed for clarity. Idler mounting hardware is not included in weigh frame; see idler mounting bolts above.



Approvals



Standard Features

- LCD display
- Hardware slot for two option cards
- Operator access to audit trail, preset tare, accumulator, time and date and setpoints through menu keys
- Password protected audit trail tracking for configuration and calibration changes
- Setpoints for control and alarms
- Four onboard digital I/O channels
- Four programmable ticket formats up to 1,000 characters
- Filter settings for noise
- Speed inputs

Part Number/Price

| Part # | Description | Price |
|--------------------|-------------------------|------------|
| Integrators | | |
| 177708 | 120 VAC | \$2,115.00 |
| 180847 | 220 VAC Euro power cord | \$2,115.00 |
| 184683 | 9 to 36 VDC | \$2,275.00 |

Options/Accessories

| Part # | Description | Price |
|----------------------|---|----------|
| 190527 | Digital I/O | \$365.00 |
| 190528 | Single analog | \$425.00 |
| 190529 | Relay interface, not for totalizer pulse count output | \$470.00 |
| 177850 | Panel mount option 880 | \$255.00 |
| 197724 | Overlay, clear protective | \$85.00 |
| Network Cards | | |
| 190530 | EtherNet/IP | \$620.00 |
| 190531 | DeviceNet | \$620.00 |
| 190532 | PROFINET | \$620.00 |
| 190534 | PROFIBUS | \$620.00 |
| 190533 | Modbus TCP/IP | \$620.00 |
| 190535 | EtherCAT | \$620.00 |

Please complete the Belt Scale Application on page 162 to obtain a quote

Specifications

Power

Input voltages: 100 to 240 VAC; 9 to 36 VDC
Input frequency: 50/60 Hz

Power Consumption:

AC: 15 watts; DC: 20 watts

Excitation Voltage:

10 VDC 8 × 350 ohm (16 × 700 ohm) load cells

Analog Signal Input Range:

-45 mV to 45 mV

Analog Signal Sensitivity:

0.3 μV/graduation minimum at 7.5 Hz;
1.0 μV/graduation typical at 120 Hz

Sample Rate:

7.5 to 120 Hz, software selectable

Resolution:

Internal: 8,000,000 counts 23-bit
Display: 100,000

System Linearity:

± 0.01% full scale

Digital I/O:

Four I/O onboard primary keys, pseudo functions,
batching functions

Communication Ports:

RS-232 full duplex or RS-485 half duplex; USB 2.0
Micro B connector; Ethernet TCP/IP

Pulse Input:

Dual inputs for redundancy

Display:

LCD display, 0.8 in, seven-digit, seven-segment
weight display, 3 × 20 pixelated prompt area

Annunciators:

Load, total, rate, speed, zero

Keys/Buttons:

Flat membrane panel, tactile feel

Temperature:

Industrial: 14 °F to 122 °F (-10 °C to 50 °C)

Dimensions:

(L × W × H)
9.93 × 4.00 × 8.94 in

Weight:

12 lb (5.4 kg)

Rating/Material:

IP66
Stainless steel

Warranty:

Two-year limited

EMC Immunity:

18 KV, 10 V/m

Approvals:

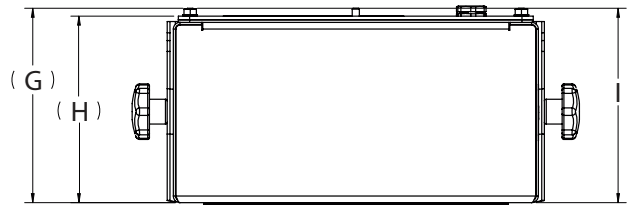
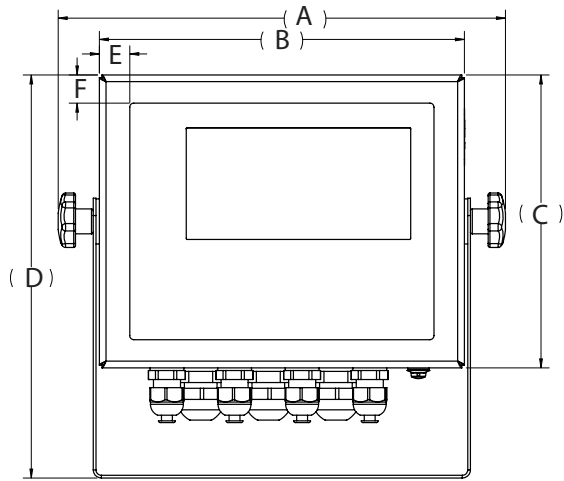
CE Approved
cULus Listed

882D

Belt Scale Integrator

Dimensions

| 882D Belt Scale Integrator | | | |
|----------------------------|------------------|---|------------------|
| A | 9.93 in (252 mm) | F | 0.63 in (16 mm) |
| B | 8.10 in (206 mm) | G | 4.31 in (110 mm) |
| C | 6.50 in (165 mm) | H | 4.14 in (105 mm) |
| D | 8.94 in (227 mm) | I | 4.32 in (110 mm) |
| E | 0.68 in (17 mm) | | |





Specifications

- Power:**
12 to 24 VDC
- Power Consumption:**
5 W
- Excitation Voltage:**
5 VDC, 120 mA (up to 16 × 350 ohm cells)
- Analog Signal Input Range:**
±39 mV
- Analog Signal Sensitivity:**
0.3 μV/graduation minimum
- Sample Rate:**
Single-channel up to 2,600 Hz, software selectable
4 channels up to 100 Hz, software selectable
- Analog Output (if equipped):**
Opt. isolated, 16-bit
0 to 20 mA, 4 to 20 mA (maximum 350 ohm)
0 to 5 VDC, 0 to 10 VDC (minimum 10,000 ohm)
- Digital I/O:**
Two inputs: 12/24 VDC
Two outputs: 150 mA 48 VAC/150 mA 60 VDC
- Communication Ports:**
(1) RS-485 half duplex, (1) RS-232 full duplex
1 USB Micro B connector (device)
for PC configuration
- Pulse Input:**
Dual inputs for redundancy
- Display:**
Six-digit 0.31 in (8 mm), red LED
- Keys/Buttons:**
Flat membrane panel, tactile feel
- Dimensions:**
(L × W × H)
Overall: 10.5 × 6.26 × 12.5 in
(266 × 159 × 318 mm)
- Mounting Tabs:**
8.0 × 13.12 in
(203 × 333 mm)
- Weight:**
27 lb
- Rating/Material:**
NEMA 4X (if using supplied enclosure)
- Warranty:**
One-year limited
- Approvals:**
CE-M EN 45501

Standard Features

- Manage up to four load cells (one scale)
- Dual encoders and outputs for automatic test weight application
- Micro-USB communication port for configuration, diagnostics and data backup (RL Tools Software)
- All data and adjustments of each scale are available through integrated fieldbus (not available on AN models)
- Integrated web server on fieldbus models* allows complete diagnostics, calibration and remote configuration
- Removable terminal blocks to simplify wiring in the electrical panel
- Power supply circuit with protections, specific for industrial environment

Options

- 1280 terminal with web server and system configuration menus
- Fieldbus: EtherNet/IP, PROFINET, Modbus TCP/IP
- Analog output

Part Number/Price

| Part # | Description | Price |
|----------------------------------|---|------------|
| Integrator Only | | |
| 225171 | Digitizer only, 4 channel weight transmitter with Belt Scale Integrator firmware - no power supply or enclosure | \$1,300.00 |
| 225172 | Modbus TCP/IP, 4 channel weight transmitter with Belt Scale Integrator firmware | Consult |
| 225173 | PROFINET, 4 channel weight transmitter with Belt Scale Integrator firmware | Consult |
| 225174 | EtherNet/IP, 4 channel weight transmitter with Belt Scale Integrator firmware | Consult |
| Integrator with Enclosure | | |
| 226132 | Analog output, 24 VDC power supply, terminal blocks | Consult |
| 226133 | Modbus TCP/IP, 24 VDC power supply, terminal blocks | Consult |
| 226134 | PROFINET, 24 VDC power supply, terminal blocks | Consult |
| 226135 | EtherNet/IP, 24 VDC power supply, terminal blocks | Consult |

Options/Accessories

| Part # | Description | Price |
|---------|---|------------|
| Consult | 1280 terminal, 7-inch touch screen and tactile keypad, universal enclosure with tilt stand | Consult |
| Consult | 1280 terminal, 7-inch touch screen (only) for panel/surface mount | Consult |
| 88792 | Power Supply, IDEC 12 VDC DIN Rail Mount, 1.3 Amp, Input: 85 to 264 VAC, 100 to 370 VDC 15W | \$1,300.00 |
| 119244 | Power Supply, 24VDC 1.3 A Din Mount Input 90 to 264 VAC, 120 to 370 VDC, UL E135494 | \$160.00 |

Optional HMI terminal with web server



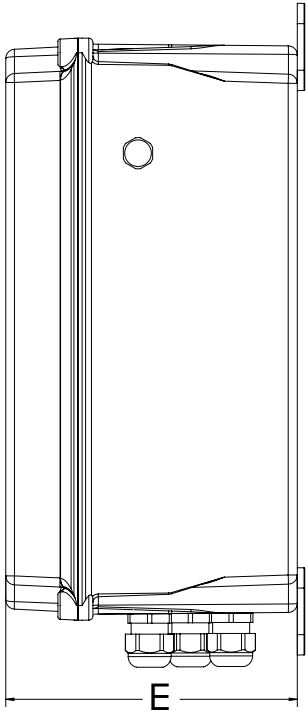
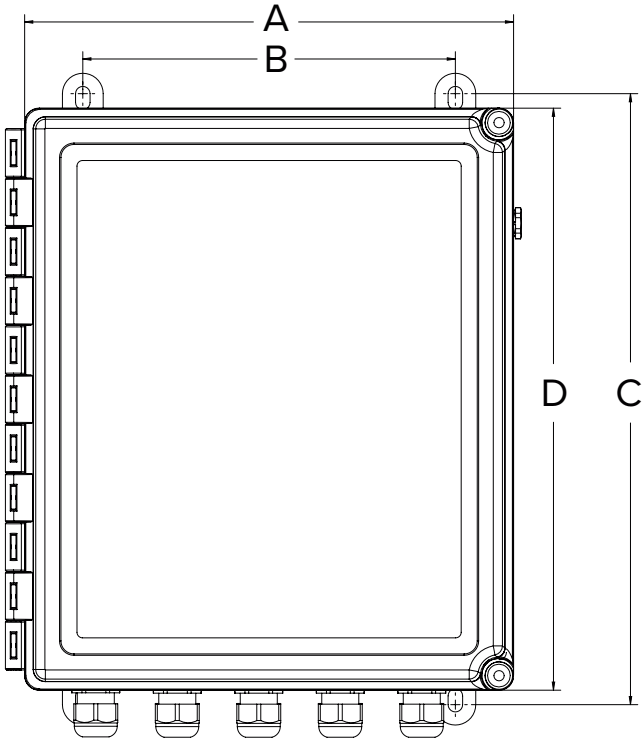
BELT SCALES

SCT-4XD

Belt Scale Integrator

Dimensions

| SCT-4XD | | | |
|---------|-------------------|---|-------------------|
| A | 10.50 in (267 mm) | C | 13.12 in (333 mm) |
| B | 8.00 in (203 mm) | D | 12.50 in (318 mm) |
| E | 6.26 in (159 mm) | | |



BELT SCALES



High-resolution Speed Sensor



Magnetic Coupler



Speed Wheel



Speed Sensors 125334 and 163319

Standard Features

- The speed sensor monitors belt speed. It is directly coupled to a rotating shaft which drives a signal generator. The speed sensor submits an output signal at a frequency directly proportional to the shaft speed. It is typically installed on a non-driven pulley of a belt conveyor for detecting belt speed.

Part Number/Price

| Part # | Description | Price |
|---------------------------------------|---|------------|
| Speed Sensing | | |
| 152626 | 500 PPR high-resolution encoder kit, requires 152247 if magnetic coupling is required | \$1,600.00 |
| 152247 | Magnetic coupler, use with 152626 | \$500.00 |
| 125334 | Speed sensor, belt scale 50 PPR (generator type) | \$1,200.00 |
| 163319 | Speed sensor, belt scale 600 PPR (encoder type) | \$1,200.00 |
| 94969 | Speed wheel assembly, 10 PPR NPN Configuration | \$1,000.00 |
| Static Weights | | |
| 99708 | 15 lb weight | \$215.00 |
| 99709 | 30 lb weight | \$275.00 |
| 99696 | 3 in static weight mounting bracket (set of two) | \$535.00 |
| 99922 | 4 in static weight mounting bracket (set of two) | \$600.00 |
| Speed Sensor Replacement Parts | | |
| 94979 | Sensor proximity, for 94969 | \$115.00 |
| 98320 | Shoulder bolt, for 94969 | \$15.00 |
| 95216 | Bushing, speed wheel for 94969 | \$12.75 |
| 192927 | Coupler, replacement for 125334 and 163319 | \$175.00 |
| Accessories | | |
| 97416 | Kit, shim 50 each 1/16 in, 1/8 in and 1/4 in thick | \$95.00 |
| 21161 | Junction box, splice single cell | \$80.00 |
| 98501 | Cable, load cell custom, 20 ft EL146HE | \$34.50 |

Idle hardware not included with weigh frames

Belt Scale Application



Company: _____ Prepared By: _____ Date: _____

Address: _____

City: _____ State/Zip/Country: _____

Phone: _____ Fax: _____ Email: _____

Application Notes:

MATERIAL

Material being measured: _____ Bulk Density (kg/l) (lb/cu. ft) _____
Corrosive state of material (choose one): High Moderate Not Corrosive
Feed Rate t/hr: _____ min. _____ max. Accuracy Required: +/- _____ %
Constant Feed Rate: Yes No

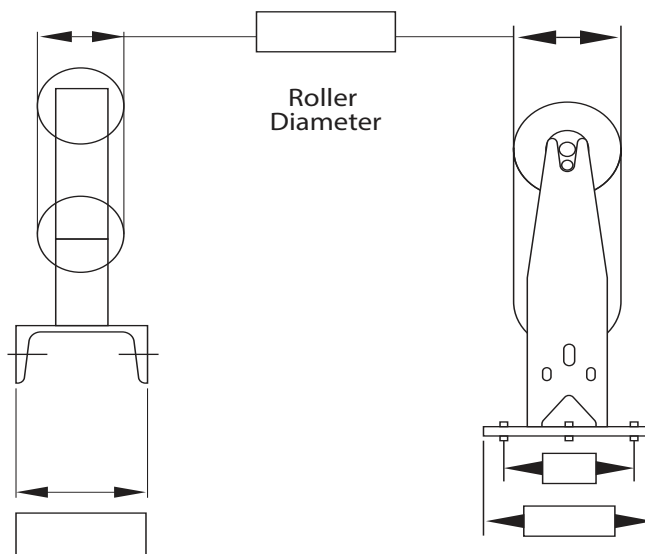
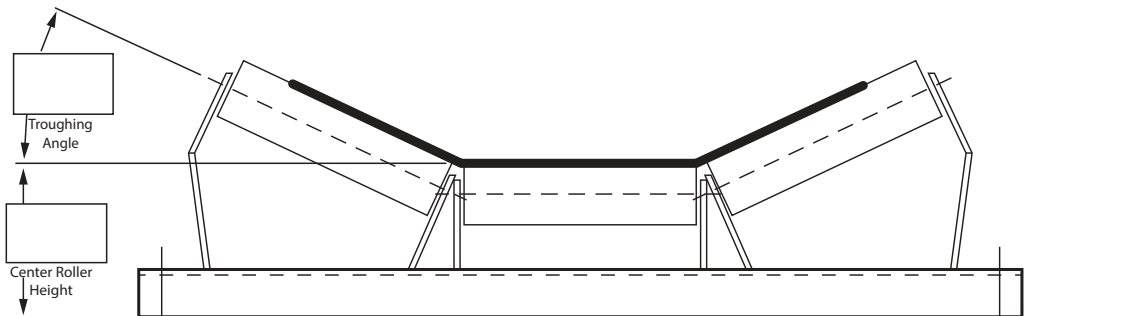
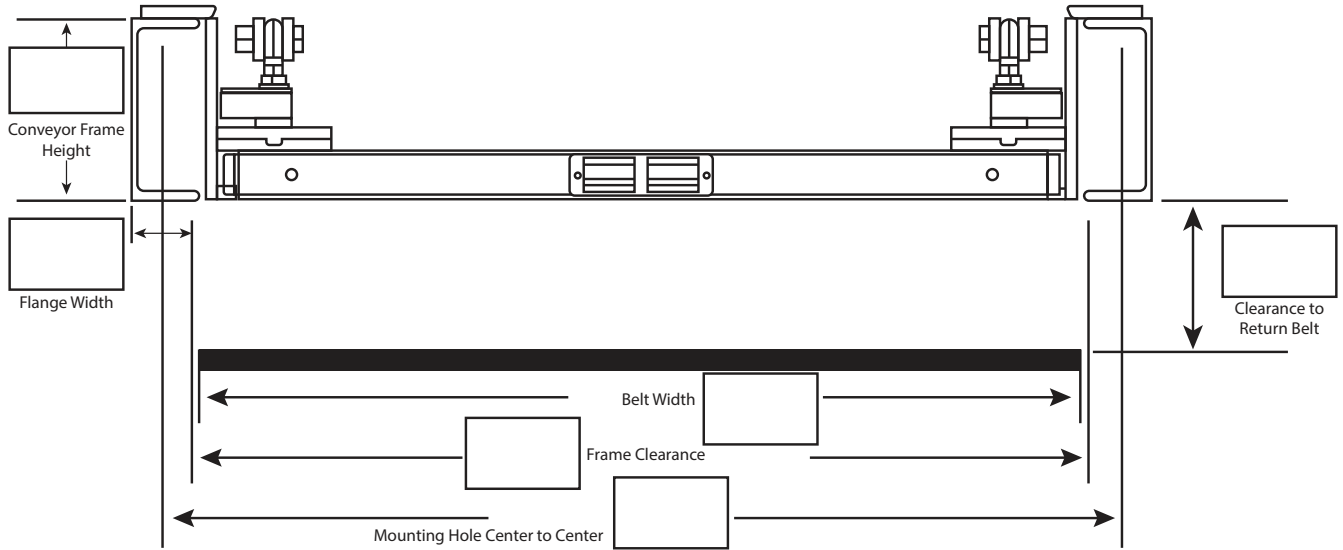
CONVEYOR

Application: Inventory Load out Control Blending
Profile: Horizontal Incline/decline _____ (deg) Variable Incline _____ (deg) Curved
Automatic Tensioning Apparatus: Yes No
Access Side (looking in direction of belt travel): Left Right Both
Area Classification: Zone _____ Class _____ Division _____
Does the current conveyor have scale grade idlers: Yes No
Belt Speed (ft/m per minute): _____ min. _____ max.
Condition of belt: _____
What type of splice does the belt have: _____
Belt Length: _____ m/ft Belt Width: _____ mm/in Belt Cleaning Device: Yes No
Idler Diameter: _____ mm/in Idler Spacing: _____ mm/in Tail Pulley Diameter: _____ mm/in
Trough Angle: _____ degrees Conveyor Length: _____ ft/m
(Supply sketch where possible) Sketch attached

INTEGRATOR REQUIREMENTS

Enclosure Type: Field Mount/Universal Panel Mount Wall Mount
Power Available: 115V 230V 9-36VDC
Communications: AB Remote I/O Device Net Profibus-DP Ethernet IP
 Analog Output RS-232 (standard) Ethernet TCP/IP Control Net
Remote Display Rate: Yes No Remote Display Totalizer: Yes No
Speed Sensor: Speed Wheel Shaft Encoder Magnet

Belt Scale Application



Bench Scales

TABLE OF CONTENTS

| | |
|--|--|
| BenchMark® SL 166 <i>Light-capacity Bench Scale</i> | Ishida iPC Series 197 <i>Portable Bench Scale</i> |
| BenchMark® CW-80B 167 <i>Light-capacity Bench Scale</i> | Versa-portion® 198 <i>Compact Scale</i> |
| BenchMark® SL/HE 168 <i>Spring Loaded/Hostile Environment Bench Scale</i> | BenchPro™ BP-P 199 <i>Postal Bench Scale</i> |
| CW-90B 169 <i>Light-capacity Bench Scale</i> | BenchPro™ BP-S 200 <i>Shipping Bench Scale</i> |
| CW-90XB 170 <i>Light-capacity Bench Scale</i> | BenchPro™ BP-SB 201 <i>Shipping Bench Scale with Ball Top Shroud</i> |
| Ready-n-Weigh Bench Scale System 171 <i>CW-90B Bench Scale and 380 Indicator Package</i> | BenchPro™ BP-SR 202 <i>Shipping Bench Scale with Roller Conveyor</i> |
| Ready-n-Weigh Bench Scale System 172 <i>CW-90B Bench Scale and 480/480 Plus Indicator Package</i> | BenchMark® MSC-10 203 <i>Mobile Scale Cart</i> |
| Ready-n-Weigh Bench Scale System 174 <i>CW-90B Bench Scale and 482/482 Plus Indicator Package</i> | BenchMark® MSC-20 204 <i>Mobile Scale Cart</i> |
| Ready-n-Weigh Bench Scale System 176 <i>CW-90B Bench Scale and 680 Indicator Package</i> | BenchMark® MSC-30 205 <i>Mobile Scale Cart</i> |
| Ready-n-Weigh Bench Scale System177 <i>CW-90XB Bench Scale and 380 Indicator Package</i> | BenchMark® MSC-40 206 <i>Mobile Scale Cart</i> |
| Ready-n-Weigh Bench Scale System 178 <i>CW-90XB Bench Scale and 480/480 Plus Indicator Package</i> | Bench Scale Ball Transfer and Roller Conveyor 207 |
| Ready-n-Weigh Bench Scale System 180 <i>CW-90XB Bench Scale and 482/482 Plus Indicator Package</i> | Bench Scale Columns 208 |
| Ready-n-Weigh Bench Scale System 182 <i>CW-90XB Bench Scale and 680 Indicator Package</i> | |
| BenchMark® MS 183 <i>Mild Steel Bench Scale</i> | |
| BenchMark® SS 184 <i>Stainless Steel Bench Scale</i> | |
| BenchMark® HE 185 <i>Hostile Environment Bench Scale</i> | |
| BenchMark® HE-X 186 <i>Hostile Environment Extreme Bench Scale</i> | |
| BenchMark® LP 188 <i>Low-Profile Bench Scale</i> | |
| BenchMark® HD 189 <i>Heavy-Duty Bench Scale</i> | |
| BenchMark® HD-1 Aviation 190 <i>Heavy Duty Bench Scale</i> | |
| BenchMark® HD-2 Aviation 192 <i>Heavy Duty Bench Scale</i> | |
| BenchMark® HD-3 Aviation 194 <i>Heavy Duty Bench Scale</i> | |
| BenchMark® HDP 196 <i>Portable Heavy-Duty Bench Scale</i> | |

Product names, logos, brands and other trademarks featured or referred to within this publication are the property of their respective trademark holders.

BenchMark® SL

Light-capacity Bench Scale

BENCH SCALES



Standard Features

- NTEP Certified IP66 aluminum load cell
- 304 stainless steel construction
- LifeGuard™ base design isolates load cell from overloads and shock loads for added durability
- Specially designed adjustable support feet provide exceptional traction and won't scratch surfaces

Specifications

Load Cell, NTEP Certified:
IP66 aluminum and environmentally sealed

Output Impedance:
350 ohm

Maximum Overload:
200%

Overload Protection:
Shock-absorbing spider

Scale Frame:
AISI304L, straight line finish, Ra=45 ± 10

Scale Cover:
AISI304L, straight line finish, Ra=45 ± 10

Cable Length:
10 ft (3 m)

Temperature:
Compensated:
14 °F to 104 °F (-10 °C to 40 °C)

Warranty:
Two-year limited

Approvals:
NTEP 95-072, Class III 5,000 d
Measurement Canada AM-5082
Load cell is cFMus approved

Approvals



Part Number/Price

| Part # | Platform Capacity | Dimensions (L × W × H) | Est. Weight | Price |
|--------|-------------------|------------------------|-------------|----------|
| 18575* | 2 lb (1 kg) | 10 × 10 × 3.15 in | 13 lb | \$710.00 |
| 18576 | 5 lb (2.5 kg) | 10 × 10 × 3.15 in | 13 lb | \$710.00 |
| 18577 | 10 lb (5 kg) | 10 × 10 × 3.15 in | 13 lb | \$710.00 |
| 18578 | 20 lb (10 kg) | 10 × 10 × 3.15 in | 13 lb | \$710.00 |
| 18579 | 30 lb (15 kg) | 10 × 10 × 3.15 in | 13 lb | \$710.00 |
| 32914 | 30 lb (15 kg) | 12 × 12 × 3.25 in | 14 lb | \$800.00 |
| 32913 | 50 lb (25 kg) | 12 × 12 × 3.25 in | 14 lb | \$800.00 |
| 35198 | 100 lb (50 kg) | 12 × 12 × 3.25 in | 14 lb | \$800.00 |

Options/Accessories

| Part # | Description | Catalog Page # |
|---------|--|--------------------------|
| Consult | Scale columns | See page 208 |
| Consult | Ball transfer and roller conveyor scale tops | See page 207 |
| Consult | Mobile scale carts | See page 203 to page 206 |

*Non-NTEP Certified or Measurement Canada approved

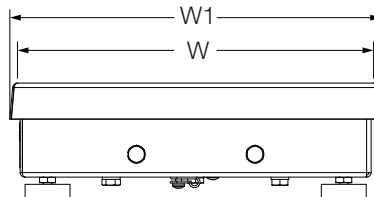
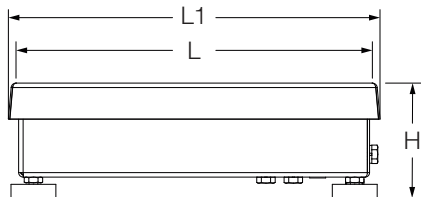
Dimensions

| BenchMark SL | | | |
|--------------|----------|----|----------|
| 10 × 10 in | | | |
| H | 3.15 in | W | 10.00 in |
| L | 10.00 in | W1 | 10.25 in |
| L1 | 10.25 in | | |

Note: 1 in = 25.4 mm

| 12 × 12 in | | | |
|------------|----------|----|----------|
| H | 3.25 in | W | 12.00 in |
| L | 12.00 in | W1 | 12.25 in |
| L1 | 12.25 in | | |

Note: 1 in = 25.4 mm



BenchMark® CW-80B

Light-capacity Bench Scale

BENCH SCALES



Standard Features

- NTEP Certified, IP67 stainless steel load cell
- 304 stainless steel construction
- LifeGuard™ base design isolates load cell from overloads and shock loads for added durability
- Specially designed adjustable support feet provide exceptional traction and won't scratch surfaces

Specifications

Load Cell, NTEP Certified:

IP67 stainless steel and environmentally sealed

Output Impedance:

350 ohm

Maximum Overload:

200%

Overload Protection:

Shock-absorbing spider

Scale Frame:

AISI304L, straight line finish, Ra=45 ± 10

Scale Cover:

AISI304L, straight line finish, Ra=45 ± 10

Cable Length:

10 ft (3 m)

Temperature:

Compensated:

14 °F to 104 °F (-10 °C to 40 °C)

Warranty:

Two-year limited

Approvals:

NTEP 96-107, Class III, 3000 d

Measurement Canada AM-5156

Load cell is FM approved

Approvals



Measurement
Canada
Approved



Part Number/Price

| Part # | Platform Capacity | Dimensions (L × W × H) | Est. Weight | Price |
|--------|-------------------|------------------------|-------------|----------|
| 35075 | 6 lb (3 kg) | 10 × 10 × 3.15 in | 13 lb | \$865.00 |
| 35076 | 10 lb (5 kg) | 10 × 10 × 3.15 in | 13 lb | \$865.00 |
| 35077 | 15 lb (7 kg) | 10 × 10 × 3.15 in | 13 lb | \$865.00 |
| 35078 | 30 lb (15 kg) | 10 × 10 × 3.15 in | 13 lb | \$865.00 |
| 35079 | 30 lb (15 kg) | 12 × 12 × 3.25 in | 14 lb | \$955.00 |
| 35080 | 60 lb (30 kg) | 12 × 12 × 3.25 in | 14 lb | \$955.00 |

Options/Accessories

| Part # | Description | Catalog Page # |
|---------|--|--------------------------|
| Consult | Scale columns | See page 208 |
| Consult | Ball transfer and roller conveyor scale tops | See page 207 |
| Consult | Mobile scale carts | See page 203 to page 206 |

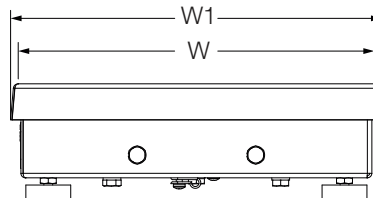
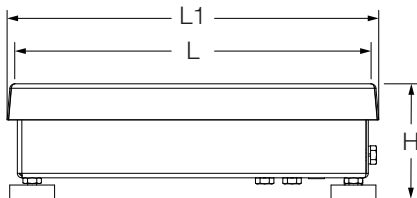
Dimensions

| CW-80B | | | |
|------------|----------|----|----------|
| 10 × 10 in | | | |
| H | 3.15 in | W | 10.00 in |
| L | 10.00 in | W1 | 10.25 in |
| L1 | 10.25 in | | |

Note: 1 in = 25.4 mm

| 12 × 12 in | | | |
|------------|----------|----|----------|
| H | 3.25 in | W | 12.00 in |
| L | 12.00 in | W1 | 12.25 in |
| L1 | 12.25 in | | |

Note: 1 in = 25.4 mm



BenchMark® SL/HE

Spring Loaded/Hostile Environment Bench Scale

BENCH SCALES



Standard Features

- NTEP Certified, IP69K stainless steel, hermetically sealed load cell
- 304 stainless steel construction
- LifeGuard™ base design isolates load cell from overloads and shock loads for added durability
- Specially designed adjustable support feet provide exceptional traction and won't scratch surfaces

Specifications

Load Cell, NTEP Certified:
IP69K stainless steel, hermetically sealed

Output Impedance:
350 ohm

Maximum Overload:
200%, except 150% for 30 lb

Overload Protection:
Shock-absorbing spider

Scale Frame:
AISI304L, straight line finish, Ra=45 ± 10

Scale Cover:
AISI304L, straight line finish, Ra=45 ± 10

Cable Length:
10 ft (3 m)

Temperature:
Compensated:
14 °F to 104 °F (-10 °C to 40 °C)

Warranty:
Three-year limited
(includes water ingress)

Approvals:
NTEP 95-072, Class III 5,000 d
Measurement Canada AM-5082
Load cell is FM approved

Approvals



Part Number/Price

| Part # | Platform Capacity | Dimensions (L × W × H) | Est. Weight | Price |
|--------|-------------------|------------------------|-------------|------------|
| 86942 | 5 lb (2.5 kg) | 10 × 10 × 3.15 in | 13 lb | \$1,288.00 |
| 86943 | 10 lb (5 kg) | 10 × 10 × 3.15 in | 13 lb | \$1,288.00 |
| 86944 | 20 lb (10 kg) | 10 × 10 × 3.15 in | 13 lb | \$1,288.00 |
| 86945 | 30 lb (15 kg) | 10 × 10 × 3.15 in | 13 lb | \$1,288.00 |
| 86946 | 30 lb (15 kg) | 12 × 12 × 3.25 in | 13 lb | \$1,378.00 |
| 86947 | 50 lb (25 kg) | 12 × 12 × 3.25 in | 14 lb | \$1,378.00 |
| 86948 | 100 lb (50 kg) | 12 × 12 × 3.25 in | 14 lb | \$1,378.00 |

Options/Accessories

| Part # | Description | Catalog Page # |
|---------|--|--------------------------|
| Consult | Scale columns | See page 208 |
| Consult | Ball transfer and roller conveyor scale tops | See page 207 |
| Consult | Mobile scale carts | See page 203 to page 206 |

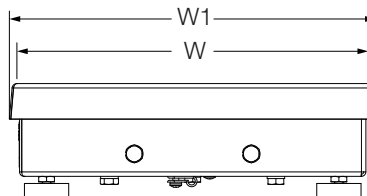
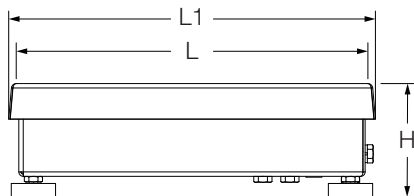
Dimensions

| BenchMark SL/HE | | | |
|-----------------|----------|----|----------|
| 10 × 10 in | | | |
| H | 3.15 in | W | 10.00 in |
| L | 10.00 in | W1 | 10.25 in |
| L1 | 10.25 in | | |

Note: 1 in = 25.4 mm

| 12 × 12 in | | | |
|------------|----------|----|----------|
| H | 3.25 in | W | 12.00 in |
| L | 12.00 in | W1 | 12.25 in |
| L1 | 12.25 in | | |

Note: 1 in = 25.4 mm





Standard Features

- IP67 aluminum environmentally sealed load cell
- 304 stainless steel construction
- Meets HACCP requirements
- Five-point overload protection
- Specially designed adjustable support feet provide exceptional traction and will not scratch surfaces

Specifications

Load Cell, NTEP Certified:
IP67 aluminum, environmentally sealed

Output Impedance:
350 ohm

Maximum Overload:
180% to 200% depending on capacity

Overload Protection:
Five-point, independently adjusted

Scale Frame:
AISI304L, straight line finish, Ra=45 ± 10

Scale Cover:
AISI304L, straight line finish, Ra=45 ± 10

Cable Length:
34 in or 10 ft

Temperature:
Compensated:
14 °F to 104 °F (-10 °C to 40 °C)

Warranty:
Two-year limited

Approvals:
NTEP 95-072, Class III 5,000 d
Measurement Canada AM-5082
NSF
Load cell is cMus Approved

Approvals



Measurement
Canada
Approved



Part Number/Price

| Part # | Platform Capacity | Dimensions (L × W × H) | Est. Weight | Price | |
|--------------------|--------------------|------------------------|-------------------|-------|----------|
| 10 ft cable | 34 in cable | | | | |
| 112599 | 106137 | 5 lb (2.5 kg) | 10 × 10 × 4.25 in | 14 lb | \$660.00 |
| 112601 | 106138 | 10 lb (5 kg) | 10 × 10 × 4.25 in | 14 lb | \$660.00 |
| 112603 | 106139 | 25 lb (10 kg) | 10 × 10 × 4.25 in | 14 lb | \$660.00 |
| 112605 | 106140 | 25 lb (10 kg) | 12 × 12 × 4.25 in | 17 lb | \$750.00 |
| 112607 | 106141 | 50 lb (25 kg) | 12 × 12 × 4.25 in | 17 lb | \$750.00 |
| 112609 | 106142 | 100 lb (50 kg) | 12 × 12 × 4.25 in | 17 lb | \$750.00 |

Options/Accessories

| Part # | Description | Catalog Page # |
|----------------|--|--------------------------|
| Consult | Scale columns | See page 208 |
| Consult | Ball transfer and roller conveyor scale tops | See page 207 |
| Consult | Mobile scale carts | See page 203 to page 206 |

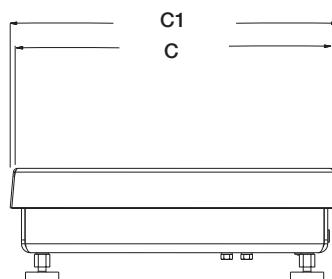
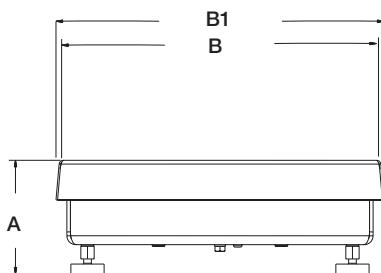
Dimensions

| CW-90B | | | |
|------------|----------|----|----------|
| 10 × 10 in | | | |
| A | 4.25 in | C | 10.00 in |
| B | 10.00 in | C1 | 10.25 in |
| B1 | 10.25 in | | |

Note: 1 in = 25.4 mm

| 12 × 12 in | | | |
|------------|----------|----|----------|
| A | 4.25 in | C | 12.00 in |
| B | 12.00 in | C1 | 12.25 in |
| B1 | 12.25 in | | |

Note: 1 in = 25.4 mm



CW-90XB

Light-capacity Bench Scale

BENCH SCALES



Standard Features

- IP69K, stainless steel hermetically sealed load cell
- 304 stainless steel construction
- Meets HACCP requirements
- Five-point overload protection
- Specially designed adjustable support feet provide exceptional traction and will not scratch surfaces

Specifications

Load Cell, NTEP Certified:
IP69K stainless steel and hermetically sealed

Output Impedance:
350 ohm

Maximum Overload:
180% to 200% depending on capacity

Overload Protection:
Five-point, independently adjusted

Scale Frame:
AISI304L, straight line finish, Ra=45 ± 10

Scale Cover:
AISI304L, straight line finish, Ra=45 ± 10

Cable Length:
34 in or 10 ft

Temperature:
Compensated:
14 °F to 104 °F (-10 °C to 40 °C)

Warranty:
Three-year limited
(includes water ingress)

Approvals:
NTEP 95-072, Class III 5,000 d
Measurement Canada AM-5082
NSF
Load cell is FM Approved

Approvals



Measurement
Canada
Approved



Part Number/Price

| Part # | Platform Capacity | Dimensions (L × W × H) | Est. Weight | Price | |
|-------------|-------------------|------------------------|-------------------|-------|------------|
| 10 ft Cable | 34 in Cable | | | | |
| 112600 | 106143 | 5 lb (2.5 kg) | 10 × 10 × 4.25 in | 14 lb | \$1,222.00 |
| 112602 | 106144 | 10 lb (5 kg) | 10 × 10 × 4.25 in | 14 lb | \$1,222.00 |
| 112604 | 106145 | 25 lb (10 kg) | 10 × 10 × 4.25 in | 14 lb | \$1,222.00 |
| 112606 | 106146 | 25 lb (10 kg) | 12 × 12 × 4.25 in | 17 lb | \$1,312.00 |
| 112608 | 106147 | 50 lb (25 kg) | 12 × 12 × 4.25 in | 17 lb | \$1,312.00 |
| 112610 | 106148 | 100 lb (50 kg) | 12 × 12 × 4.25 in | 17 lb | \$1,312.00 |

Options/Accessories

| Part # | Description | Catalog Page # |
|---------|--|--------------------------|
| Consult | Scale columns | See page 208 |
| Consult | Ball transfer and roller conveyor scale tops | See page 207 |
| Consult | Mobile scale carts | See page 203 to page 206 |

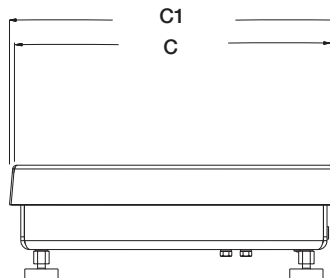
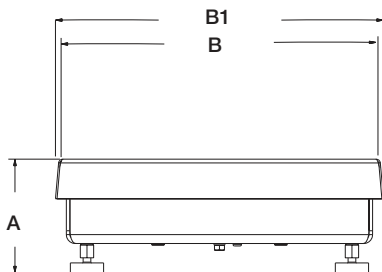
Dimensions

| CW-90XB | | | |
|------------|----------|----|----------|
| 10 × 10 in | | | |
| A | 4.25 in | C | 10.00 in |
| B | 10.00 in | C1 | 10.25 in |
| B1 | 10.25 in | | |

Note: 1 in = 25.4 mm

| 12 × 12 in | | | |
|------------|----------|----|----------|
| A | 4.25 in | C | 12.00 in |
| B | 12.00 in | C1 | 12.25 in |
| B1 | 12.25 in | | |

Note: 1 in = 25.4 mm



Ready-n-Weigh Bench Scale System

CW-90B Bench Scale and 380 Indicator Package



Approvals



Measurement
Canada
Approved



CW-90B with 380 Package

| Part # | Capacity | Dimensions (L x W x H) | Est. Weight | Price |
|--------|----------------|------------------------|-------------|------------|
| 208528 | 5 lb (2.5 kg) | 10 x 10 x 4.25 in | 24 lb | \$1,420.00 |
| 208529 | 10 lb (5 kg) | 10 x 10 x 4.25 in | 24 lb | \$1,420.00 |
| 208530 | 25 lb (10 kg) | 10 x 10 x 4.25 in | 24 lb | \$1,420.00 |
| 208531 | 25 lb (10 kg) | 12 x 12 x 4.25 in | 27 lb | \$1,510.00 |
| 208532 | 50 lb (25 kg) | 12 x 12 x 4.25 in | 27 lb | \$1,510.00 |
| 208533 | 100 lb (50 kg) | 12 x 12 x 4.25 in | 27 lb | \$1,510.00 |

Options/Accessories

| Part # | Description | Price |
|---------|------------------------|----------|
| 206433† | External AC adapter | \$54.00 |
| 204258 | Real-time clock module | \$127.00 |



† US plug (NA) - Type A

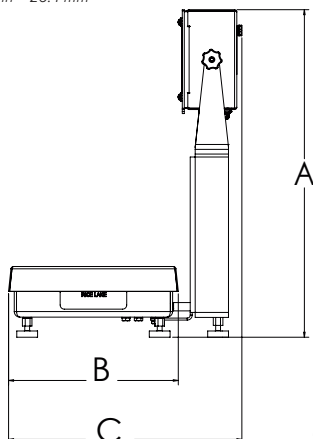
Dimensions

| CW-90B Bench Scale and 380 Indicator | | | |
|--------------------------------------|----------|---|----------|
| 10 x 10 in | | | |
| A | 19.56 in | E | 9.43 in |
| B | 10.20 in | F | 4.25 in |
| C | 14.02 in | G | 10.20 in |
| D | 13.36 in | | |

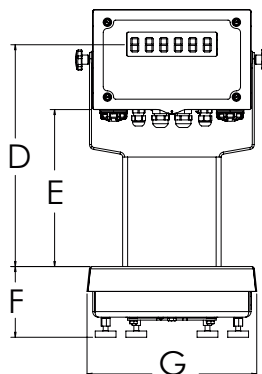
Note: 1 in = 25.4 mm

| 12 x 12 in | | | |
|------------|----------|---|----------|
| A | 19.56 in | E | 9.30 in |
| B | 12.38 in | F | 4.25 in |
| C | 16.10 in | G | 12.35 in |
| D | 13.23 in | | |

Note: 1 in = 25.4 mm



CW-90B with 380 indicator



Standard Features

- Package includes scale with IP67 aluminum environmentally sealed load cell with an indicator and 12-inch column
- Factory calibrated with indicator setup and configured for 5,000 divisions
- Scale includes rubber feet to provide exceptional traction and avoid scratching surfaces along with removable top cover for ease of cleaning
- Standard RS-232 serial port for connecting to a variety of peripherals
- Powered by four alkaline C-cell batteries (not included) or external AC adapter (not included)

CW-90B Specifications

Load Cell, NTEP Certified:

IP67 aluminum, environmentally sealed

Scale Construction:

304 stainless steel

Maximum Overload:

180% to 200% depending on capacity

Overload Protection:

Five-point, independently adjusted

Scale Frame:

AISI304L, straight line finish, Ra=45 ± 10

Scale Cover:

AISI304L, straight line finish, Ra=45 ± 10

Cable Length:

34 in

Temperature:

Compensated:

14 °F to 104 °F (-10 °C to 40 °C)

Approvals:

NTEP 21-051, Class III 5,000 d

Measurement Canada AM-6184

NSF

Load cell is cFMus Approved

Warranty:

Two-year limited

380 Specifications

Power:

Battery: Lithium ion

Charger: 120 VAC internal

Battery Life:

45 hours, one 350 ohm load cell, no backlight

15 hours, four 350 ohm load cells, no backlight

10 hours, eight 350 ohm load cells, backlight

Communication Ports:

One full-duplex RS-232 (three-wire)

One USB 2.0

Display:

Six 1 in (25 mm) tall, LCD digits

Annunciators:

g, lb, t, tn, kg, oz, battery level, PT, LT, gross, zero, unstable, net

Keys/Buttons:

Five- tactile buttons

Rating/Material:

IP69K, 304 Stainless steel

Approvals:

NTEP 21-051

Measurement Canada AM-6184

CE

cULus

Warranty:

One-year limited on battery

Two-year limited on indicator and parts

Ready-n-Weigh Bench Scale System

CW-90B Bench Scale and 480/480 Plus Indicator Package

BENCH SCALES



Approvals



Measurement
Canada
Approved



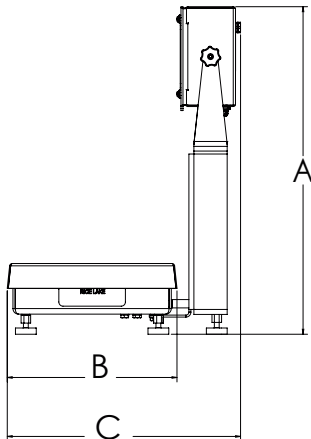
Dimensions

CW-90B Bench Scale and 480/480 Plus Indicator

10 × 10 in

| | | | |
|---|----------|---|----------|
| A | 19.50 in | E | 9.25 in |
| B | 10.25 in | F | 4.25 in |
| C | 14.53 in | G | 10.25 in |
| D | 13.25 in | | |

Note: 1 in = 25.4 mm

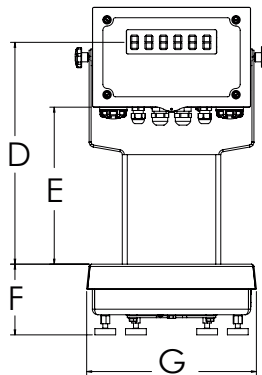


CW-90B with 480 indicator

12 × 12 in

| | | | |
|---|----------|---|----------|
| A | 19.50 in | E | 9.25 in |
| B | 12.25 in | F | 4.25 in |
| C | 16.53 in | G | 12.25 in |
| D | 13.25 in | | |

Note: 1 in = 25.4 mm



Standard Features

- Package includes scale with IP67 aluminum environmentally sealed load cell with an indicator and 12-inch column
- Factory calibrated with indicator setup and configured for 5,000 divisions
- Scale includes rubber feet to provide exceptional traction and avoid scratching surfaces along with removable top cover for ease of cleaning
- AC power 100 to 240 VAC
- Numeric keypad (480 Plus)
- Battery backed time and date
- Standard RS-232 serial ports for connecting to a variety of peripherals

CW-90B Specifications

Load Cell, NTEP Certified:

IP67 aluminum, environmentally sealed

Scale Construction:

304 stainless steel

Maximum Overload:

180% to 200% depending on capacity

Overload Protection:

Five-point, independently adjusted

Scale Frame:

AISI304L, straight line finish, Ra=45 ± 10

Scale Cover:

AISI304L, straight line finish, Ra=45 ± 10

Cable Length:

34 in

Temperature:

Compensated:

14 °F to 104 °F (-10 °C to 40 °C)

Approvals:

NTEP 12-123, Class III 5,000 d

Measurement Canada AM-5892C

CE

cULus

Warranty:

Two-year limited

480/480 Plus Specifications

Communication Ports:

Com 1: RS-232 full duplex

Com 2: RS-232 full duplex or 20 mA simplex, continuous

Both ports 1200, 2400, 4800, 9600, 19200, 38400 baud seven or eight data bits, even, odd or no parity

Display:

LED display 0.8 in (20 mm), six-digit, seven-segment

Status Annunciators:

Gross, net, center of zero, standstill, lb, kg, tare, preset tare

Keys/Buttons:

Flat membrane panel, embossed keys, tactile feel

Rating/Material:

Enclosure: NEMA Type 4X/IP66, heavy-gauge stainless steel

Approvals:

NTEP 12-123

Measurement Canada AM-5892C

CE Marked

UL/cUL Listed

Warranty:

Two-year limited

Ready-n-Weigh Bench Scale System

CW-90B Bench Scale and 480/480 Plus Indicator Package

CW-90B with 480 Package

| Part # | Platform Capacity | Dimensions (L × W × H) | Est. Weight | Price |
|--|-------------------|------------------------|-------------|------------|
| 115 VAC, LED, US Plug-Type B | | | | |
| 201157 | 5 lb (2.5 kg) | 10 × 10 × 4.25 in | 24 lb | \$1,680.00 |
| 201158 | 10 lb (5 kg) | 10 × 10 × 4.25 in | 24 lb | \$1,680.00 |
| 201159 | 25 lb (10 kg) | 10 × 10 × 4.25 in | 24 lb | \$1,680.00 |
| 201160 | 25 lb (10 kg) | 12 × 12 × 4.25 in | 27 lb | \$1,770.00 |
| 201161 | 50 lb (25 kg) | 12 × 12 × 4.25 in | 27 lb | \$1,770.00 |
| 201162 | 100 lb (50 kg) | 12 × 12 × 4.25 in | 27 lb | \$1,770.00 |
| 90-264 VAC, LED, Euro Plug-Type E | | | | |
| 201169 | 5 lb (2.5 kg) | 10 × 10 × 4.25 in | 24 lb | \$1,680.00 |
| 201170 | 10 lb (5 kg) | 10 × 10 × 4.25 in | 24 lb | \$1,680.00 |
| 201171 | 25 lb (10 kg) | 10 × 10 × 4.25 in | 24 lb | \$1,680.00 |
| 201172 | 25 lb (10 kg) | 12 × 12 × 4.25 in | 27 lb | \$1,770.00 |
| 201173 | 50 lb (25 kg) | 12 × 12 × 4.25 in | 27 lb | \$1,770.00 |
| 201174 | 100 lb (50 kg) | 12 × 12 × 4.25 in | 27 lb | \$1,770.00 |

CW-90B with 480 Plus Package

| Part # | Platform Capacity | Dimensions (L × W × H) | Est. Weight | Price |
|--|-------------------|------------------------|-------------|------------|
| 115 VAC, LED, Numeric keypad, US Plug-Type B | | | | |
| 201163 | 5 lb (2.5 kg) | 10 × 10 × 4.25 in | 24 lb | \$1,680.00 |
| 201164 | 10 lb (5 kg) | 10 × 10 × 4.25 in | 24 lb | \$1,680.00 |
| 201165 | 25 lb (10 kg) | 10 × 10 × 4.25 in | 24 lb | \$1,680.00 |
| 201166 | 25 lb (10 kg) | 12 × 12 × 4.25 in | 27 lb | \$1,770.00 |
| 201167 | 50 lb (25 kg) | 12 × 12 × 4.25 in | 27 lb | \$1,770.00 |
| 201168 | 100 lb (50 kg) | 12 × 12 × 4.25 in | 27 lb | \$1,770.00 |
| 90-264 VAC, LED, Numeric keypad, Euro Plug-Type E | | | | |
| 201175 | 5 lb (2.5 kg) | 10 × 10 × 4.25 in | 24 lb | \$1,680.00 |
| 201176 | 10 lb (5 kg) | 10 × 10 × 4.25 in | 24 lb | \$1,680.00 |
| 201177 | 25 lb (10 kg) | 10 × 10 × 4.25 in | 24 lb | \$1,680.00 |
| 201178 | 25 lb (10 kg) | 12 × 12 × 4.25 in | 27 lb | \$1,770.00 |
| 201179 | 50 lb (25 kg) | 12 × 12 × 4.25 in | 27 lb | \$1,770.00 |
| 201180 | 100 lb (50 kg) | 12 × 12 × 4.25 in | 27 lb | \$1,770.00 |



† US plug (NA) - Type B



†† Euro Plug - Type E

Ready-n-Weigh Bench Scale System

CW-90B Bench Scale and 482/482 Plus Indicator Package

BENCH SCALES



Approvals



Measurement
Canada
Approved



Dimensions

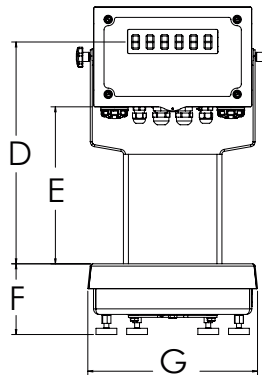
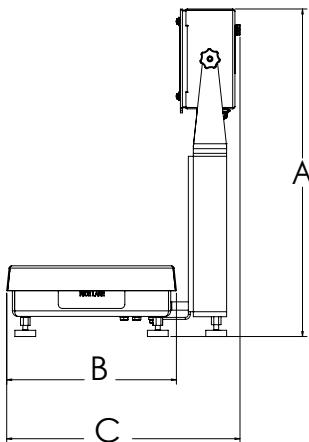
CW-90B Bench Scale and 482/482 Plus Indicator

| 10 × 10 in | | |
|------------|----------|------------|
| A | 19.50 in | E 9.25 in |
| B | 10.25 in | F 4.25 in |
| C | 14.53 in | G 10.25 in |
| D | 13.25 in | |

Note: 1 in = 25.4 mm

| 12 × 12 in | | |
|------------|----------|------------|
| A | 19.50 in | E 9.25 in |
| B | 12.25 in | F 4.25 in |
| C | 16.53 in | G 12.25 in |
| D | 13.25 in | |

Note: 1 in = 25.4 mm



CW-90B with 482 indicator

Standard Features

- Package includes scale with IP67 aluminum environmentally sealed load cell with an indicator and 12-inch column
- Factory calibrated with indicator setup and configured for 5,000 divisions
- Scale includes rubber feet to provide exceptional traction and avoid scratching surfaces along with removable top cover for ease of cleaning
- AC power 100 to 240 VAC
- LCD backlit indicator display for a variety of environments
- Battery backed time and date
- Standard RS-232 serial ports for connecting to a variety of peripherals

CW-90B Specifications

Load Cell, NTEP Certified:

IP67 aluminum, environmentally sealed

Scale Construction:

304 stainless steel

Maximum Overload:

180% to 200% depending on capacity

Overload Protection:

Five-point, independently adjusted

Scale Frame:

AISI304L, straight line finish, Ra=45 ± 10

Scale Cover:

AISI304L, straight line finish, Ra=45 ± 10

Cable Length:

34 in

Temperature:

Compensated:

14 °F to 104 °F (-10 °C to 40 °C)

Approvals:

NTEP 12-123, Class III 5,000 d

Measurement Canada AM-5892C

CE

cULus

Warranty:

Two-year limited

482/482 Plus Specifications

Communication Ports:

Com 1: RS-232 full duplex

Com 2: RS-232 full duplex or 20 mA simplex, continuous

Both ports 1200, 2400, 4800, 9600, 19200, 38400 baud seven or eight data bits, even, odd or no parity

Display:

LCD backlit display, transmissive/transflective 0.8 in (20 mm), six-digit, seven-segment

Status Annunciators:

Gross, net, center of zero, standstill, lb, kg, tare, preset tare

Keys/Buttons:

Flat membrane panel, embossed keys, tactile feel

Rating/Material:

Enclosure: NEMA Type 4X/IP66, heavy-gauge stainless steel

Approvals:

NTEP 12-123

Measurement Canada AM-5892C

CE Marked

cULus Listed

Warranty:

Two-year limited

Ready-n-Weigh Bench Scale System

CW-90B Bench Scale and 482/482 Plus Indicator Package

BENCH SCALES

CW-90B with 482 Package

| Part # | Platform Capacity | Dimensions (L x W x H) | Est. Weight | Price |
|--|-------------------|------------------------|-------------|------------|
| 115 VAC, LCD, US Plug-Type B | | | | |
| 201463 | 5 lb (2.5 kg) | 10 x 10 x 4.25 in | 24 lb | \$1,810.00 |
| 201464 | 10 lb (5 kg) | 10 x 10 x 4.25 in | 24 lb | \$1,810.00 |
| 201465 | 25 lb (10 kg) | 10 x 10 x 4.25 in | 24 lb | \$1,810.00 |
| 201466 | 25 lb (10 kg) | 12 x 12 x 4.25 in | 27 lb | \$1,900.00 |
| 201467 | 50 lb (25 kg) | 12 x 12 x 4.25 in | 27 lb | \$1,900.00 |
| 201468 | 100 lb (50 kg) | 12 x 12 x 4.25 in | 27 lb | \$1,900.00 |
| 90-264 VAC, LCD, Euro Plug-Type E | | | | |
| 201480 | 5 lb (2.5 kg) | 10 x 10 x 4.25 in | 24 lb | \$1,810.00 |
| 201485 | 10 lb (5 kg) | 10 x 10 x 4.25 in | 24 lb | \$1,810.00 |
| 201486 | 25 lb (10 kg) | 10 x 10 x 4.25 in | 24 lb | \$1,810.00 |
| 201487 | 25 lb (10 kg) | 12 x 12 x 4.25 in | 27 lb | \$1,900.00 |
| 201488 | 50 lb (25 kg) | 12 x 12 x 4.25 in | 27 lb | \$1,900.00 |
| 201489 | 100 lb (50 kg) | 12 x 12 x 4.25 in | 27 lb | \$1,900.00 |

CW-90B with 482 Package

| Part # | Platform Capacity | Dimensions (L x W x H) | Est. Weight | Price |
|--|-------------------|------------------------|-------------|------------|
| 115 VAC, LCD, Numeric keypad, US Plug-Type B | | | | |
| 201469 | 5 lb (2.5 kg) | 10 x 10 x 4.25 in | 24 lb | \$1,810.00 |
| 201475 | 10 lb (5 kg) | 10 x 10 x 4.25 in | 24 lb | \$1,810.00 |
| 201476 | 25 lb (10 kg) | 10 x 10 x 4.25 in | 24 lb | \$1,810.00 |
| 201477 | 25 lb (10 kg) | 12 x 12 x 4.25 in | 27 lb | \$1,900.00 |
| 201478 | 50 lb (25 kg) | 12 x 12 x 4.25 in | 27 lb | \$1,900.00 |
| 201479 | 100 lb (50 kg) | 12 x 12 x 4.25 in | 27 lb | \$1,900.00 |
| 90-264 VAC, LCD, Numeric keypad, Euro Plug-Type E | | | | |
| 201490 | 5 lb (2.5 kg) | 10 x 10 x 4.25 in | 24 lb | \$1,810.00 |
| 201491 | 10 lb (5 kg) | 10 x 10 x 4.25 in | 24 lb | \$1,810.00 |
| 201492 | 25 lb (10 kg) | 10 x 10 x 4.25 in | 24 lb | \$1,810.00 |
| 201493 | 25 lb (10 kg) | 12 x 12 x 4.25 in | 27 lb | \$1,900.00 |
| 201494 | 50 lb (25 kg) | 12 x 12 x 4.25 in | 27 lb | \$1,900.00 |
| 201495 | 100 lb (50 kg) | 12 x 12 x 4.25 in | 27 lb | \$1,900.00 |



† US plug (NA) - Type B



** Euro Plug - Type E

Ready-n-Weigh Bench Scale System

CW-90B Bench Scale and 680 Indicator Package

BENCH SCALES



Approvals



Measurement
Canada
Approved



CW-90B with 680 Package

| Part # | Platform Capacity | Dimensions (L × W × H) | Est. Weight | Price |
|--|-------------------|------------------------|-------------|------------|
| 115-230 VAC, LED, Numeric, US Plug-Type B | | | | |
| 201308 | 5 lb (2.5 kg) | 10 × 10 × 4.25 in | 24 lb | \$1,720.00 |
| 201309 | 10 lb (5 kg) | 10 × 10 × 4.25 in | 24 lb | \$1,720.00 |
| 201310 | 25 lb (10 kg) | 10 × 10 × 4.25 in | 24 lb | \$1,720.00 |
| 201311 | 25 lb (10 kg) | 12 × 12 × 4.25 in | 27 lb | \$1,810.00 |
| 201312 | 50 lb (25 kg) | 12 × 12 × 4.25 in | 27 lb | \$1,810.00 |
| 201313 | 100 lb (50 kg) | 12 × 12 × 4.25 in | 27 lb | \$1,810.00 |
| 115-230 VAC, LED, Numeric, Euro Plug-Type E | | | | |
| 201314 | 5 lb (2.5 kg) | 10 × 10 × 4.25 in | 24 lb | \$1,720.00 |
| 201315 | 10 lb (5 kg) | 10 × 10 × 4.25 in | 24 lb | \$1,720.00 |
| 201319 | 25 lb (10 kg) | 10 × 10 × 4.25 in | 24 lb | \$1,720.00 |
| 201320 | 25 lb (10 kg) | 12 × 12 × 4.25 in | 27 lb | \$1,810.00 |
| 201321 | 50 lb (25 kg) | 12 × 12 × 4.25 in | 27 lb | \$1,810.00 |
| 201322 | 100 lb (50 kg) | 12 × 12 × 4.25 in | 27 lb | \$1,810.00 |



* US plug (NA) - Type B

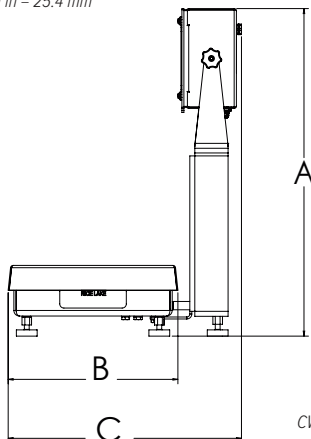


** Euro Plug - Type E

Dimensions

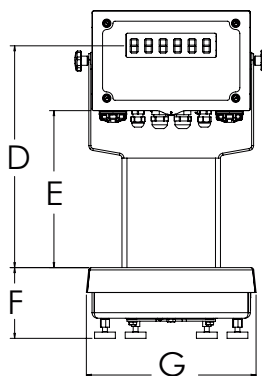
| CW-90B Bench Scale and 680 Indicator | | | |
|--------------------------------------|----------|---|----------|
| 10 × 10 in | | | |
| A | 19.56 in | E | 9.31 in |
| B | 10.25 in | F | 4.25 in |
| C | 15.83 in | G | 10.25 in |
| D | 13.31 in | | |

Note: 1 in = 25.4 mm



| 12 × 12 in | | | |
|------------|----------|---|----------|
| A | 19.56 in | E | 9.31 in |
| B | 12.25 in | F | 4.25 in |
| C | 16.83 in | G | 12.25 in |
| D | 13.31 in | | |

Note: 1 in = 25.4 mm



CW-90B with 680 indicator

Standard Features

- Package includes scale with IP67 aluminum environmentally sealed load cell with an indicator and 12-inch column
- Factory calibrated with indicator setup and configured for 5,000 divisions
- Scale includes rubber feet to provide exceptional traction and avoid scratching surfaces along with removable top cover for ease of cleaning
- AC power 100 to 240 VAC
- LCD backlit indicator display for a variety of environments
- Battery backed time and date
- Standard RS-232 serial ports for connecting to a variety of peripherals
- Ethernet TCP/IP comes standard

CW-90B Specifications

Load Cell, NTEP Certified:

IP67 aluminum, environmentally sealed

Scale Construction:

304 stainless steel

Maximum Overload:

180% to 200% depending on capacity

Overload Protection:

Five-point, independently adjusted

Scale Frame:

AISI304L, straight line finish, Ra=45 ± 10

Scale Cover:

AISI304L, straight line finish, Ra=45 ± 10

Cable Length:

34 in

Temperature:

Compensated:

14 °F to 104 °F (-10 °C to 40 °C)

Approvals:

NTEP 95-072, Class III 5,000 d

Measurement Canada AM-5082

NSF

Load cell is cFMus Approved

Warranty:

Two-year limited

680 Specifications

Communication Ports:

Two full-duplex RS-232

RS-485/422 (five -wire)

Micro USB (device)

Ethernet TCP/IP (10/100)

Display:

Seven 0.8 in tall, seven-segment digits

Annunciators:

Eight LED

Keys/Buttons:

Flat membrane panel, tactile feel

(18 buttons plus on/off)

Rating/Material:

IP69K (IP66 with RJ45)

AISI 304 stainless Steel

Approvals:

NTEP 19-021

Measurement Canada AM-6121C

cULus Listed

CE Marked

Warranty:

Two-year limited

Ready-n-Weigh Bench Scale System

CW-90XB Bench Scale and 380 Indicator Package

BENCH SCALES



Standard Features

- Package includes scale with IP69K stainless steel hermetically sealed load cell with an indicator and 12-inch column
- Factory calibrated with indicator setup and configured for 5,000 divisions
- Scale includes rubber feet to provide exceptional traction and avoid scratching surfaces along with a removable top cover for ease of cleaning
- Powered by four alkaline C-cell batteries (not included) or external AC adapter (not included)
- Standard RS-232 serial port for connecting to a variety of peripherals

CW-90XB Specifications

Load Cell, NTEP Certified:

IP69K stainless steel and hermetically sealed

Scale Construction:

304 stainless steel

Maximum Overload:

180% to 200% depending on capacity

Overload Protection:

Five-point, independently adjusted

Scale Frame:

AISI304L, straight line finish, Ra=45 ± 10

Scale Cover:

AISI304L, straight line finish, Ra=45 ± 10

Cable Length:

34 in

Temperature:

Compensated:

14 °F to 104 °F (-10 °C to 40 °C)

Approvals:

NTEP 95-072, Class III 5,000 d

Measurement Canada AM-5082

Load cell is FM approved

Warranty:

Three-year limited (includes water ingress)

380 Specifications

Power:

Batteries: Four alkaline C-cell (not included)

Optional: 115/230 VAC to 12 VDC adapter

Battery Life:

100 hours on alkaline batteries with one 350 ohm load cell, no backlight

Communication Ports:

One RS-232 (three-wire)

One USB 2.0

Display:

Six 1-inch tall, LCD digits

Status Annunciators:

g, lb, t, tn, kg, oz, battery level, PT, LT, gross, zero, unstable, net

Keys/Buttons:

5 tactile buttons

Rating/Material:

Enclosure: IP66, 304 Stainless steel

Approvals:

NTEP 21-051

Measurement Canada AM-6184

CE Marked

cULus Listed

Warranty:

Two-year limited

Approvals



Measurement
Canada
Approved



CW-90XB with 380 Package

| Part # | Capacity | Dimensions (L × W × H) | Est. Weight | Price |
|--------|----------------|------------------------|-------------|------------|
| 208543 | 5 lb (2.5 kg) | 10 × 10 × 4.25 in | 24 lb | \$1,982.00 |
| 208544 | 10 lb (5 kg) | 10 × 10 × 4.25 in | 24 lb | \$1,982.00 |
| 208545 | 25 lb (10 kg) | 10 × 10 × 4.25 in | 24 lb | \$1,982.00 |
| 208546 | 25 lb (10 kg) | 12 × 12 × 4.25 in | 27 lb | \$2,072.00 |
| 208547 | 50 lb (25 kg) | 12 × 12 × 4.25 in | 27 lb | \$2,072.00 |
| 208548 | 100 lb (50 kg) | 12 × 12 × 4.25 in | 27 lb | \$2,072.00 |

Options/Accessories

| Part # | Description | Price |
|---------|------------------------|----------|
| 206433† | External AC adapter | \$54.00 |
| 204258 | Real-time clock module | \$127.00 |



† US plug (NA) - Type A

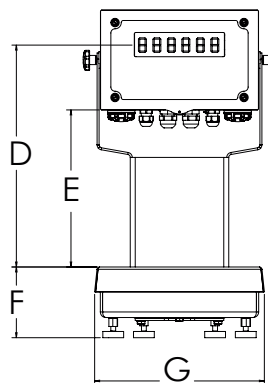
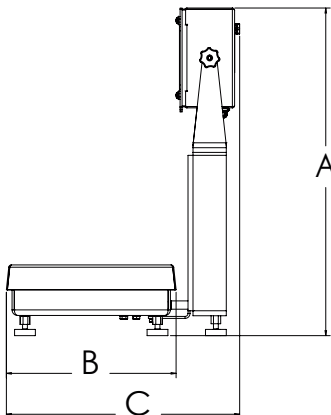
Dimensions

| CW-90XB Bench Scale and 380 Indicator | | | |
|---------------------------------------|----------|---|----------|
| 10 × 10 in | | | |
| A | 19.56 in | E | 9.44 in |
| B | 10.20 in | F | 4.25 in |
| C | 14.02 in | G | 10.20 in |
| D | 13.36 in | | |

Note: 1 in = 25.4 mm

| 12 × 12 in | | | |
|------------|----------|---|----------|
| A | 19.56 in | E | 9.31 in |
| B | 12.29 in | F | 4.25 in |
| C | 16.07 in | G | 12.29 in |
| D | 13.23 in | | |

Note: 1 in = 25.4 mm



CW-90XB with 380 indicator

Ready-n-Weigh Bench Scale System

CW-90XB Bench Scale and 480/480 Plus Indicator Package

BENCH SCALES



Standard Features

- Package includes scale with IP69K stainless steel hermetically sealed load cell with an indicator and 12-inch column
- Factory calibrated with indicator setup and configured for 5,000 divisions
- Scale includes rubber feet to provide exceptional traction and avoid scratching surfaces along with removable top cover for ease of cleaning
- AC power 100 to 240 VAC
- Numeric keypad (480 plus)
- Battery backed time and date
- Standard RS-232 serial ports for connecting to peripherals

CW-90XB Specifications

Load Cell, NTEP Certified:

IP69K stainless steel and hermetically sealed

Scale Construction:

304 stainless steel

Maximum Overload:

180% to 200% depending on capacity

Overload Protection:

Five-point, independently adjusted

Scale Frame:

AISI304L, straight line finish, Ra = 45 ± 10

Scale Cover:

AISI304L, straight line finish, Ra = 45 ± 10

Cable Length:

34 in

Temperature:

Compensated:
14 °F to 104 °F (-10 °C to 40 °C)

CW-90XB Approvals:

NTEP CC 95-072, Class III 5,000 d
Measurement Canada AM-5082
Load cell is FM approved

Warranty:

Three-year limited (includes water ingress)

480/480 Plus Specifications

Communication Ports:

Com 1: RS-232 full duplex
Com 2: RS-232 full duplex or 20 mA simplex, continuous
Both ports 1200, 2400, 4800, 9600, 19200, 38400 baud seven or eight data bits, even, odd or no parity

Display:

LED display 0.8 in (20 mm), six-digit, seven-segment

Status Annunciators:

Gross, net, center of zero, standstill, lb, kg, tare, preset tare

Keys/Buttons:

Flat membrane panel, embossed keys, tactile feel

Rating/Material:

Enclosure: NEMA Type 4X/IP66, heavy-gauge stainless steel

Approvals:

NTEP 12-123
Measurement Canada AM-5892C
CE Marked
cULus Listed

Warranty:

Two-year limited

Approvals



Measurement
Canada
Approved



Dimensions

CW-90XB Bench Scale and 480/480 Plus Indicator

10 × 10 in

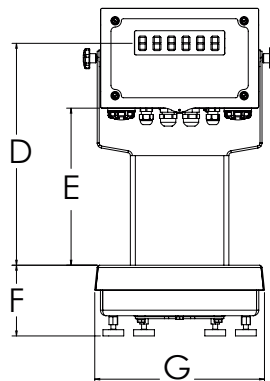
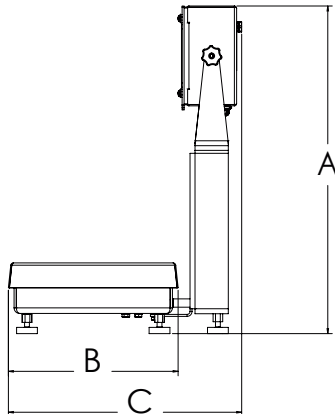
| | | | |
|---|----------|---|----------|
| A | 19.50 in | E | 9.25 in |
| B | 10.25 in | F | 4.25 in |
| C | 14.53 in | G | 10.25 in |
| D | 13.25 in | | |

Note: 1 in = 25.4 mm

12 × 12 in

| | | | |
|---|----------|---|----------|
| A | 19.50 in | E | 9.25 in |
| B | 12.25 in | F | 4.25 in |
| C | 16.53 in | G | 12.25 in |
| D | 13.25 in | | |

Note: 1 in = 25.4 mm



CW-90XB with 480 indicator

Ready-n-Weigh Bench Scale System

CW-90XB Bench Scale and 480/480 Plus Indicator Package

CW-90XB with 480 Package

| Part # | Platform Capacity | Dimensions (L × W × H) | Est. Weight | Price |
|--|-------------------|------------------------|-------------|------------|
| 115 VAC, LED, US Plug-Type B | | | | |
| 201241 | 5 lb (2.5 kg) | 10 × 10 × 4.25 in | 24 lb | \$2,242.00 |
| 201242 | 10 lb (5 kg) | 10 × 10 × 4.25 in | 24 lb | \$2,242.00 |
| 201243 | 25 lb (10 kg) | 10 × 10 × 4.25 in | 24 lb | \$2,242.00 |
| 201244 | 25 lb (10 kg) | 12 × 12 × 4.25 in | 27 lb | \$2,332.00 |
| 201245 | 50 lb (25 kg) | 12 × 12 × 4.25 in | 27 lb | \$2,332.00 |
| 201246 | 100 lb (50 kg) | 12 × 12 × 4.25 in | 27 lb | \$2,332.00 |
| 90-264 VAC, LED, Euro Plug-Type E | | | | |
| 201254 | 5 lb (2.5 kg) | 10 × 10 × 4.25 in | 24 lb | \$2,242.00 |
| 201255 | 10 lb (5 kg) | 10 × 10 × 4.25 in | 24 lb | \$2,242.00 |
| 201257 | 25 lb (10 kg) | 10 × 10 × 4.25 in | 24 lb | \$2,242.00 |
| 201258 | 25 lb (10 kg) | 12 × 12 × 4.25 in | 27 lb | \$2,332.00 |
| 201259 | 50 lb (25 kg) | 12 × 12 × 4.25 in | 27 lb | \$2,332.00 |
| 201260 | 100 lb (50 kg) | 12 × 12 × 4.25 in | 27 lb | \$2,332.00 |

CW-90XB with 480 Plus Package

| Part # | Platform Capacity | Dimensions (L × W × H) | Est. Weight | Price |
|---|-------------------|------------------------|-------------|------------|
| 115 VAC, LED, Numeric, US Plug-Type B | | | | |
| 201247 | 5 lb (2.5 kg) | 10 × 10 × 4.25 in | 24 lb | \$2,242.00 |
| 201248 | 10 lb (5 kg) | 10 × 10 × 4.25 in | 24 lb | \$2,242.00 |
| 201249 | 25 lb (10 kg) | 10 × 10 × 4.25 in | 24 lb | \$2,242.00 |
| 201250 | 25 lb (10 kg) | 12 × 12 × 4.25 in | 27 lb | \$2,332.00 |
| 201251 | 50 lb (25 kg) | 12 × 12 × 4.25 in | 27 lb | \$2,332.00 |
| 201253 | 100 lb (50 kg) | 12 × 12 × 4.25 in | 27 lb | \$2,332.00 |
| 90-264 VAC, LED, Numeric, Euro Plug-Type E | | | | |
| 201261 | 5 lb (2.5 kg) | 10 × 10 × 4.25 in | 24 lb | \$2,242.00 |
| 201262 | 10 lb (5 kg) | 10 × 10 × 4.25 in | 24 lb | \$2,242.00 |
| 201263 | 25 lb (10 kg) | 10 × 10 × 4.25 in | 24 lb | \$2,242.00 |
| 201264 | 25 lb (10 kg) | 12 × 12 × 4.25 in | 27 lb | \$2,332.00 |
| 201265 | 50 lb (25 kg) | 12 × 12 × 4.25 in | 27 lb | \$2,332.00 |
| 201266 | 100 lb (50 kg) | 12 × 12 × 4.25 in | 27 lb | \$2,332.00 |



* US plug (NA) - Type B



** Euro Plug - Type E

Ready-n-Weigh Bench Scale System

CW-90XB Bench Scale and 482/482 Plus Indicator Package

BENCH SCALES



Approvals



Measurement
Canada
Approved



Standard Features

- Package includes scale with IP69K stainless steel hermetically sealed load cell with an indicator and 12-inch
- Factory calibrated with indicator setup and configured for 5,000 divisions
- Scale includes rubber feet to provide exceptional traction and avoid scratching surfaces along with removable top cover for ease of cleaning
- AC power 100 to 240 VAC
- LCD backlit display suitable for a variety of environments
- Battery backed time and date
- Standard RS-232 serial ports for connecting to a variety of peripherals

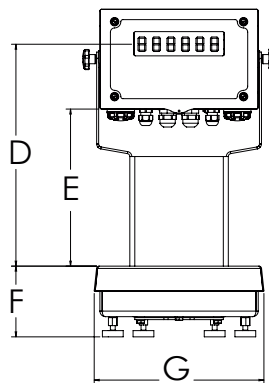
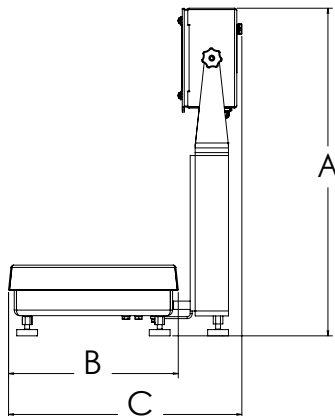
Dimensions

| CW-90XB Bench Scale and 482/482 Plus Indicator | | | |
|--|----------|---|----------|
| 10 × 10 in | | | |
| A | 19.50 in | E | 9.25 in |
| B | 10.25 in | F | 4.25 in |
| C | 14.53 in | G | 10.25 in |
| D | 13.25 in | | |

Note: 1 in = 25.4 mm

| 12 × 12 in | | | |
|------------|----------|---|----------|
| A | 19.50 in | E | 9.25 in |
| B | 12.25 in | F | 4.25 in |
| C | 16.53 in | G | 12.25 in |
| D | 13.25 in | | |

Note: 1 in = 25.4 mm



CW-90XB with 482 indicator

Specifications

Load Cell, NTEP Certified:
IP69K stainless steel and hermetically sealed

Scale Construction:
304 stainless steel

Maximum Overload:
180% to 200% depending on capacity

Overload Protection:
Five-point, independently adjusted

Scale Frame:
AISI304L, straight line finish, Ra=45 ± 10

Scale Cover:
AISI304L, straight line finish, Ra=45 ± 10

Cable Length:
34 in

Temperature:
Compensated:
14 °F to 104 °F (-10 °C to 40 °C)

Approvals:
NTEP CC 95-072, Class III 5,000 d
Measurement Canada AM-5082
Load cell is FM approved

Warranty:
Three-year limited (includes water ingress)

482/482 Plus Specifications

Communication Ports:

Com 1: RS-232 full duplex
Com 2: RS-232 full duplex or 20 mA simplex, continuous
Both ports 1200, 2400, 4800, 9600, 19200, 38400 baud seven or eight data bits, even, odd or no parity

Display:

LCD backlit display, transmissive/transflective
0.8 in (20 mm), six-digit, seven-segment

Status Annunciators:

Gross, net, center of zero, standstill, lb, kg, tare, preset tare

Keys/Buttons:

Flat membrane panel, embossed keys, tactile feel

Rating/Material:

Enclosure: NEMA Type 4X/IP66, heavy-gauge stainless steel

Approvals:

NTEP 12-123
Measurement Canada AM-5892C
CE Marked
cULus Listed

Warranty:

Two-year limited

Ready-n-Weigh Bench Scale System

CW-90XB Bench Scale and 482/482 Plus Indicator Package

CW-90XB with 482 Package

| Part # | Platform Capacity | Dimensions (L × W × H) | Est. Weight | Price |
|--|-------------------|------------------------|-------------|------------|
| 115 VAC, LCD, US Plug-Type B | | | | |
| 201533 | 5 lb (2.5 kg) | 10 × 10 × 4.25 in | 24 lb | \$2,372.00 |
| 201534 | 10 lb (5 kg) | 10 × 10 × 4.25 in | 24 lb | \$2,372.00 |
| 201535 | 25 lb (10 kg) | 10 × 10 × 4.25 in | 24 lb | \$2,372.00 |
| 201536 | 25 lb (10 kg) | 12 × 12 × 4.25 in | 27 lb | \$2,462.00 |
| 201537 | 50 lb (25 kg) | 12 × 12 × 4.25 in | 27 lb | \$2,462.00 |
| 201538 | 100 lb (50 kg) | 12 × 12 × 4.25 in | 27 lb | \$2,462.00 |
| 90-264 VAC, LCD, Euro Plug-Type E | | | | |
| 201546 | 5 lb (2.5 kg) | 10 × 10 × 4.25 in | 24 lb | \$2,372.00 |
| 201547 | 10 lb (5 kg) | 10 × 10 × 4.25 in | 24 lb | \$2,372.00 |
| 201548 | 25 lb (10 kg) | 10 × 10 × 4.25 in | 24 lb | \$2,372.00 |
| 201549 | 25 lb (10 kg) | 12 × 12 × 4.25 in | 27 lb | \$2,462.00 |
| 201550 | 50 lb (25 kg) | 12 × 12 × 4.25 in | 27 lb | \$2,462.00 |
| 201551 | 100 lb (50 kg) | 12 × 12 × 4.25 in | 27 lb | \$2,462.00 |

CW-90XB with 482 Plus Package

| Part # | Platform Capacity | Dimensions (L × W × H) | Est. Weight | Price |
|---|-------------------|------------------------|-------------|------------|
| 115 VAC, LCD, Numeric, US Plug-Type B | | | | |
| 201539 | 5 lb (2.5 kg) | 10 × 10 × 4.25 in | 24 lb | \$2,372.00 |
| 201541 | 10 lb (5 kg) | 10 × 10 × 4.25 in | 24 lb | \$2,372.00 |
| 201542 | 25 lb (10 kg) | 10 × 10 × 4.25 in | 24 lb | \$2,372.00 |
| 201543 | 25 lb (10 kg) | 12 × 12 × 4.25 in | 27 lb | \$2,462.00 |
| 201544 | 50 lb (25 kg) | 12 × 12 × 4.25 in | 27 lb | \$2,462.00 |
| 201545 | 100 lb (50 kg) | 12 × 12 × 4.25 in | 27 lb | \$2,462.00 |
| 90-264 VAC, LCD, Numeric, Euro Plug-Type E | | | | |
| 201552 | 5 lb (2.5 kg) | 10 × 10 × 4.25 in | 24 lb | \$2,372.00 |
| 201553 | 10 lb (5 kg) | 10 × 10 × 4.25 in | 24 lb | \$2,372.00 |
| 201554 | 25 lb (10 kg) | 10 × 10 × 4.25 in | 24 lb | \$2,372.00 |
| 201555 | 25 lb (10 kg) | 12 × 12 × 4.25 in | 27 lb | \$2,462.00 |
| 201556 | 50 lb (25 kg) | 12 × 12 × 4.25 in | 27 lb | \$2,462.00 |
| 201557 | 100 lb (50 kg) | 12 × 12 × 4.25 in | 27 lb | \$2,462.00 |



* US plug (NA) - Type B



** Euro Plug - Type E

Ready-n-Weigh Bench Scale System

CW-90XB Bench Scale and 680 Indicator Package

BENCH SCALES



Approvals



Measurement
Canada
Approved



CW-90XB with 680 Package

| Part # | Platform Capacity | Dimensions (L × W × H) | Est. Weight | Price |
|--|-------------------|------------------------|-------------|------------|
| 115-230 VAC, LED, Numeric, US Plug-Type B | | | | |
| 201409 | 5 lb (2.5 kg) | 10 × 10 × 4.25 in | 24 lb | \$2,282.00 |
| 201410 | 10 lb (5 kg) | 10 × 10 × 4.25 in | 24 lb | \$2,282.00 |
| 201411 | 25 lb (10 kg) | 10 × 10 × 4.25 in | 24 lb | \$2,282.00 |
| 201412 | 25 lb (10 kg) | 12 × 12 × 4.25 in | 27 lb | \$2,372.00 |
| 201413 | 50 lb (25 kg) | 12 × 12 × 4.25 in | 27 lb | \$2,372.00 |
| 201414 | 100 lb (50 kg) | 12 × 12 × 4.25 in | 27 lb | \$2,372.00 |
| 115-230 VAC, LED, Numeric, Euro Plug-Type E | | | | |
| 201415 | 5 lb (2.5 kg) | 10 × 10 × 4.25 in | 24 lb | \$2,282.00 |
| 201416 | 10 lb (5 kg) | 10 × 10 × 4.25 in | 24 lb | \$2,282.00 |
| 201417 | 25 lb (10 kg) | 10 × 10 × 4.25 in | 24 lb | \$2,282.00 |
| 201418 | 25 lb (10 kg) | 12 × 12 × 4.25 in | 27 lb | \$2,372.00 |
| 201419 | 50 lb (25 kg) | 12 × 12 × 4.25 in | 27 lb | \$2,372.00 |
| 201420 | 100 lb (50 kg) | 12 × 12 × 4.25 in | 27 lb | \$2,372.00 |



† US plug (NA) - Type B

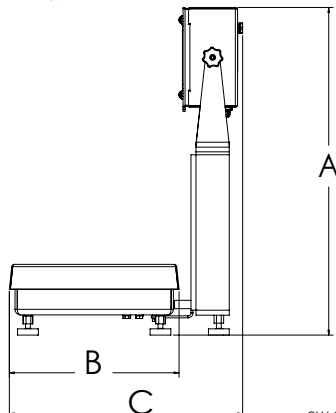


†† Euro Plug - Type E

Dimensions

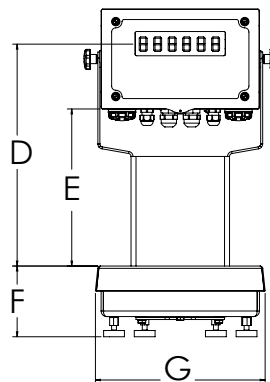
| CW-90XB Bench Scale and 680 Indicator | | |
|---------------------------------------|----------|------------|
| 10 × 10 in | | |
| A | 19.56 in | E 9.31 in |
| B | 10.25 in | F 4.25 in |
| C | 15.83 in | G 10.25 in |
| D | 13.31 in | |

Note: 1 in = 25.4 mm



| 12 × 12 in | | |
|------------|----------|------------|
| A | 19.56 in | E 9.31 in |
| B | 12.25 in | F 4.25 in |
| C | 16.83 in | G 12.25 in |
| D | 13.31 in | |

Note: 1 in = 25.4 mm



CW-90XB with 680 indicator

Standard Features

- Package includes scale with IP69K stainless steel hermetically sealed load cell with an indicator and 12-inch column
- Factory calibrated with indicator setup and configured for 5,000 divisions
- Scale includes rubber feet to provide exceptional traction and avoid scratching surfaces along with removable top cover for ease of cleaning
- AC power 100 to 240 VAC
- Full numeric keypad
- LED display suitable for a variety of environments
- Battery backed time and date
- Standard RS-232 serial ports for connecting to a variety of peripherals
- Ethernet TCP/IP

CW-90XB Specifications

Load Cell, NTEP Certified:

IP69K stainless steel and hermetically sealed

Scale Construction:

304 stainless steel

Maximum Overload:

180% to 200% depending on capacity

Overload Protection:

Five-point, independently adjusted

Scale Frame:

AISI304L, straight line finish, Ra = 45 ± 10

Scale Cover:

AISI304L, straight line finish, Ra = 45 ± 10

Cable Length:

34 in

Temperature:

Compensated:

14 °F to 104 °F (-10 °C to 40 °C)

Approvals:

NTEP CC 95-072, Class III 5,000 d

Measurement Canada AM-5082

Load cell is FM approved

Warranty:

Three-year limited (includes water ingress)

680 Specifications

Communication Ports:

Two RS-232 (three-wire)

RS-485/422 (two-wire or four-wire)

Micro USB (device)

Ethernet TCP/IP (10/100)

Display:

Seven 0.8-inch tall, seven-segment digits

Status Annunciators:

Eight LED annunciators

Keys/Buttons:

Flat membrane panel, tactile feel
(18 buttons plus ON/OFF)

Rating/Material:

Rating: IP69K (IP66 with RJ45)

Material: AISI 304 stainless steel

Approvals:

NTEP 19-021

Measurement Canada AM-6121C

cULus Listed

CE Marked

Warranty:

Two-year limited



Approvals



Measurement
Canada
Approved



† Load cell
approval



‡ Load cell
approval

Part Number/Price

| Part # | Capacity | Platform Dimensions (L x W x H) | Est. Weight | Price |
|---------|-------------------|---------------------------------|-------------|------------|
| 18580 † | 30 lb (15 kg) | 12 x 12 x 4.12 in | 20 lb | \$890.00 |
| 18582 † | 50 lb (25 kg) | 12 x 12 x 4.12 in | 20 lb | \$890.00 |
| 18584 † | 100 lb (50 kg) | 12 x 12 x 4.12 in | 20 lb | \$890.00 |
| 18586 ‡ | 50 lb (25 kg) | 12 x 18 x 4.12 in | 37 lb | \$980.00 |
| 18588 ‡ | 100 lb (50 kg) | 12 x 18 x 4.12 in | 37 lb | \$980.00 |
| 18590 † | 50 lb (25 kg) | 18 x 18 x 5.25 in | 68 lb | \$1,210.00 |
| 18592 † | 100 lb (50 kg) | 18 x 18 x 5.25 in | 68 lb | \$1,210.00 |
| 18594 † | 150 lb (75 kg) | 18 x 18 x 5.25 in | 68 lb | \$1,210.00 |
| 18596 † | 200 lb (100 kg) | 18 x 18 x 5.25 in | 68 lb | \$1,210.00 |
| 18598 † | 250 lb (125 kg) | 18 x 18 x 5.25 in | 68 lb | \$1,210.00 |
| 18600 † | 300 lb (150 kg) | 18 x 18 x 5.25 in | 68 lb | \$1,210.00 |
| 18602 † | 500 lb (250 kg) | 18 x 18 x 5.25 in | 68 lb | \$1,210.00 |
| 18604 ‡ | 1,000 lb (500 kg) | 18 x 18 x 5.25 in | 68 lb | \$1,210.00 |
| 18606 † | 50 lb (25 kg) | 24 x 18 x 5.25 in | 78 lb | \$1,335.00 |
| 18608 † | 100 lb (50 kg) | 24 x 18 x 5.25 in | 78 lb | \$1,335.00 |
| 18610 † | 150 lb (75 kg) | 24 x 18 x 5.25 in | 78 lb | \$1,335.00 |
| 18612 † | 200 lb (100 kg) | 24 x 18 x 5.25 in | 78 lb | \$1,335.00 |
| 18614 † | 250 lb (125 kg) | 24 x 18 x 5.25 in | 78 lb | \$1,335.00 |
| 18616 † | 300 lb (150 kg) | 24 x 18 x 5.25 in | 78 lb | \$1,335.00 |
| 18618 † | 500 lb (250 kg) | 24 x 18 x 5.25 in | 78 lb | \$1,335.00 |
| 18620 ‡ | 1,000 lb (500 kg) | 24 x 18 x 5.25 in | 78 lb | \$1,335.00 |
| 18622 † | 100 lb (50 kg) | 24 x 24 x 5.25 in | 78 lb | \$1,470.00 |
| 18624 † | 150 lb (75 kg) | 24 x 24 x 5.25 in | 84 lb | \$1,470.00 |
| 18626 † | 200 lb (100 kg) | 24 x 24 x 5.25 in | 84 lb | \$1,470.00 |
| 18628 † | 250 lb (125 kg) | 24 x 24 x 5.25 in | 84 lb | \$1,470.00 |
| 18630 † | 300 lb (150 kg) | 24 x 24 x 5.25 in | 84 lb | \$1,470.00 |
| 18632 † | 500 lb (250 kg) | 24 x 24 x 5.25 in | 84 lb | \$1,470.00 |
| 18634 ‡ | 1,000 lb (500 kg) | 24 x 24 x 5.25 in | 84 lb | \$1,470.00 |

Options/Accessories

| Part # | Description | Catalog Page # |
|---------|--|--------------------------|
| Consult | Scale columns | See page 208 |
| Consult | Ball transfer and roller conveyor scale tops | See page 207 |
| Consult | Mobile scale carts | See page 203 to page 206 |



Standard Features

- Painted mild steel frame with 304 stainless steel cover
- Base design isolates load cell from overloads and shock loads for added durability
- Specially designed adjustable support feet provide exceptional traction and will not scratch surfaces

Specifications

Load Cell, NTEP Certified:

IP66 aluminum, environmentally sealed

Output Impedance:

350 ohm

Maximum Overload:

150% to 200% depending on capacity

Overload Protection:

Five-point, independently adjusted

Scale Frame:

Mild steel powder coated black

Scale Cover:

AISI304L, straight line finish, Ra=45 ± 10

Cable Length:

10 ft (3 m)

Temperature:

Compensated:
14 °F to 104 °F (-10 °C to 40 °C)

Warranty:

Two-year limited

Approvals:

NTEP 95-072, Class III, 5,000 d
Measurement Canada AM-5082

Dimensions

| BenchMark MS | | | |
|-------------------|----------|----|----------|
| 12 x 12 in | | | |
| H | 4.12 in | W | 12.00 in |
| L | 12.00 in | W1 | 12.50 in |
| L1 | 12.50 in | | |
| 12 x 18 in | | | |
| H | 4.12 in | W | 18.00 in |
| L | 12.00 in | W1 | 18.50 in |
| L1 | 12.50 in | | |
| 18 x 18 in | | | |
| H | 5.25 in | W | 18.00 in |
| L | 18.00 in | W1 | 18.75 in |
| L1 | 18.75 in | | |
| 24 x 18 in | | | |
| H | 5.25 in | W | 18.00 in |
| L | 24.00 in | W1 | 18.75 in |
| L1 | 24.75 in | | |
| 24 x 24 in | | | |
| H | 5.25 in | W | 24.00 in |
| L | 24.00 in | W1 | 24.75 in |
| L1 | 24.75 in | | |

Note: 1 in = 25.4 mm

BenchMark® SS

Stainless Steel Bench Scale

BENCH SCALES



Approvals



Measurement
Canada
Approved



† Load cell
approval

†† Load cell
approval

Part Number/Price

| Part # | Capacity | Platform Dimensions (L × W × H) | Est. Weight | Price |
|----------|-------------------|---------------------------------|-------------|------------|
| 186222 † | 50 lb (25 kg) | 12 × 18 × 4.00 in | 37 lb | \$1,040.00 |
| 186223 † | 100 lb (50 kg) | 12 × 18 × 4.00 in | 37 lb | \$1,040.00 |
| 18591 † | 50 lb (25 kg) | 18 × 18 × 5.25 in | 68 lb | \$1,440.00 |
| 18593 † | 100 lb (50 kg) | 18 × 18 × 5.25 in | 68 lb | \$1,440.00 |
| 18595 † | 150 lb (75 kg) | 18 × 18 × 5.25 in | 68 lb | \$1,440.00 |
| 18597 † | 200 lb (100 kg) | 18 × 18 × 5.25 in | 68 lb | \$1,440.00 |
| 18599 † | 250 lb (125 kg) | 18 × 18 × 5.25 in | 68 lb | \$1,440.00 |
| 18601 † | 300 lb (150 kg) | 18 × 18 × 5.25 in | 68 lb | \$1,440.00 |
| 18603 † | 500 lb (250 kg) | 18 × 18 × 5.25 in | 68 lb | \$1,440.00 |
| 18605 †† | 1,000 lb (500 kg) | 18 × 18 × 5.25 in | 68 lb | \$1,440.00 |
| 18607 † | 50 lb (25 kg) | 24 × 18 × 5.25 in | 78 lb | \$1,715.00 |
| 18609 † | 100 lb (50 kg) | 24 × 18 × 5.25 in | 78 lb | \$1,715.00 |
| 18611 † | 150 lb (75 kg) | 24 × 18 × 5.25 in | 78 lb | \$1,715.00 |
| 18613 † | 200 lb (100 kg) | 24 × 18 × 5.25 in | 78 lb | \$1,715.00 |
| 18615 † | 250 lb (125 kg) | 24 × 18 × 5.25 in | 78 lb | \$1,715.00 |
| 18617 † | 300 lb (150 kg) | 24 × 18 × 5.25 in | 78 lb | \$1,715.00 |
| 18619 † | 500 lb (250 kg) | 24 × 18 × 5.25 in | 78 lb | \$1,715.00 |
| 18621 †† | 1,000 lb (500 kg) | 24 × 18 × 5.25 in | 78 lb | \$1,715.00 |
| 18623 † | 100 lb (50 kg) | 24 × 24 × 5.25 in | 84 lb | \$2,110.00 |
| 18625 † | 150 lb (75 kg) | 24 × 24 × 5.25 in | 84 lb | \$2,110.00 |
| 18627 † | 200 lb (100 kg) | 24 × 24 × 5.25 in | 84 lb | \$2,110.00 |
| 18629 † | 250 lb (125 kg) | 24 × 24 × 5.25 in | 84 lb | \$2,110.00 |
| 18631 † | 300 lb (150 kg) | 24 × 24 × 5.25 in | 84 lb | \$2,110.00 |
| 18633 † | 500 lb (250 kg) | 24 × 24 × 5.25 in | 84 lb | \$2,110.00 |
| 18635 †† | 1,000 lb (500 kg) | 24 × 24 × 5.25 in | 84 lb | \$2,110.00 |

Options/Accessories

| Part # | Description | Catalog Page # |
|---------|--|--------------------------|
| Consult | Scale columns | See page 208 |
| Consult | Ball transfer and roller conveyor scale tops | See page 207 |
| Consult | Mobile scale carts | See page 203 to page 206 |



Standard Features

- 304 stainless steel frame and cover
- Base design isolates load cell from overloads and shock loads for added durability
- Specially designed adjustable support feet provide exceptional traction and will not scratch surfaces

Specifications

Load Cell, NTEP Certified:

IP66 aluminum, environmentally sealed

Output Impedance:

350 ohm

Maximum Overload:

150% to 200% depending on capacity

Overload Protection:

Five-point, independently adjusted

Scale Frame:

AISI304L, glass bead blasted for even appearance

Scale Cover:

AISI304L, straight line finish, Ra=45 ±10

Cable Length:

10 ft (3 m)

Temperature:

Compensated:
14 °F to 104 °F (-10 °C to 40 °C)

Warranty:

Two-year limited

Approvals:

NTEP CC 95-072, Class III, 5,000 d
Measurement Canada AM-5082

Dimensions

| BenchMark SS | | | |
|-------------------|----------|----|----------|
| 12 × 18 in | | | |
| H | 4.00 in | W | 18.00 in |
| L | 12.00 in | W1 | 18.50 in |
| L1 | 12.50 in | | |
| 18 × 18 in | | | |
| H | 5.25 in | W | 18.00 in |
| L | 18.00 in | W1 | 18.75 in |
| L1 | 18.75 in | | |
| 18 × 24 in | | | |
| H | 5.25 in | W | 18.00 in |
| L | 24.00 in | W1 | 18.75 in |
| L1 | 24.75 in | | |
| 24 × 24 in | | | |
| H | 5.25 in | W | 24.00 in |
| L | 24.00 in | W1 | 24.75 in |
| L1 | 24.75 in | | |

Note: 1 in = 25.4 mm



Standard Features

- 304 stainless steel frame and cover
- Base design isolates load cell from overloads and shock loads for added durability
- Specially designed adjustable support feet provide exceptional traction and will not scratch surfaces

Specifications

- Load Cell, NTEP Certified:**
IP69K stainless steel, hermetically sealed
- Output Impedance:**
1,000 ohm
- Maximum Overload:**
150% to 200% depending on capacity
- Overload Protection:**
Five-point, independently adjusted
- Scale Frame:**
AISI304L, glass bead blasted for even appearance
- Scale Cover:**
AISI304L, straight line finish, Ra=45 ± 10
- Cable Length:**
10 ft (3 m)
- Temperature:**
Compensated:
14 °F to 104 °F (-10 °C to 40 °C)
- Warranty:**
Three-year limited
(includes water ingress)
- Approvals:**
NTEP CC 95-072, Class III, 5,000 d
Measurement Canada AM-5082
Load cell is FM approved

Approvals



Measurement
Canada
Approved

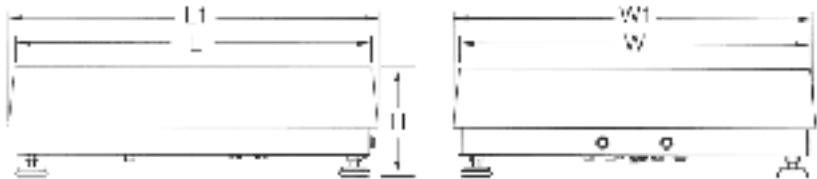


Part Number/Price

| Part # | Capacity | Platform Dimensions (L x W x H) | Est. Weight | Price |
|--------|-------------------|---------------------------------|-------------|------------|
| 186897 | 50 lb (25 kg) | 12 x 18 x 4.00 in | 37 lb | \$1,480.00 |
| 186898 | 100 lb (50 kg) | 12 x 18 x 4.00 in | 37 lb | \$1,480.00 |
| 86952 | 50 lb (25 kg) | 18 x 18 x 5.25 in | 68 lb | \$1,780.00 |
| 86953 | 100 lb (50 kg) | 18 x 18 x 5.25 in | 68 lb | \$1,780.00 |
| 86954 | 150 lb (75 kg) | 18 x 18 x 5.25 in | 68 lb | \$1,780.00 |
| 86955 | 200 lb (100 kg) | 18 x 18 x 5.25 in | 68 lb | \$1,780.00 |
| 86956 | 250 lb (125 kg) | 18 x 18 x 5.5 in | 68 lb | \$2,130.00 |
| 86957 | 300 lb (150 kg) | 18 x 18 x 5.5 in | 68 lb | \$2,130.00 |
| 86958 | 500 lb (250 kg) | 18 x 18 x 5.5 in | 68 lb | \$2,130.00 |
| 86959 | 1,000 lb (500 kg) | 18 x 18 x 5.5 in | 68 lb | \$2,130.00 |
| 86960 | 50 lb (25 kg) | 24 x 18 x 5.5 in | 78 lb | \$2,405.00 |
| 86961 | 100 lb (50 kg) | 24 x 18 x 5.5 in | 78 lb | \$2,405.00 |
| 86962 | 150 lb (75 kg) | 24 x 18 x 5.5 in | 78 lb | \$2,405.00 |
| 86963 | 200 lb (100 kg) | 24 x 18 x 5.5 in | 78 lb | \$2,405.00 |
| 86964 | 250 lb (125 kg) | 24 x 18 x 5.5 in | 78 lb | \$2,405.00 |
| 86965 | 300 lb (150 kg) | 24 x 18 x 5.5 in | 78 lb | \$2,405.00 |
| 86966 | 500 lb (250 kg) | 24 x 18 x 5.5 in | 78 lb | \$2,405.00 |
| 86967 | 1,000 lb (500 kg) | 24 x 18 x 5.5 in | 78 lb | \$2,405.00 |
| 86968 | 100 lb (50 kg) | 24 x 24 x 5.5 in | 84 lb | \$2,800.00 |
| 86969 | 150 lb (75 kg) | 24 x 24 x 5.5 in | 84 lb | \$2,800.00 |
| 86970 | 200 lb (100 kg) | 24 x 24 x 5.5 in | 84 lb | \$2,800.00 |
| 86971 | 250 lb (125 kg) | 24 x 24 x 5.5 in | 84 lb | \$2,800.00 |
| 86972 | 300 lb (150 kg) | 24 x 24 x 5.5 in | 84 lb | \$2,800.00 |
| 86973 | 500 lb (250 kg) | 24 x 24 x 5.5 in | 84 lb | \$2,800.00 |
| 86974 | 1,000 lb (500 kg) | 24 x 24 x 5.5 in | 84 lb | \$2,800.00 |

Options/Accessories

| Part # | Description | Catalog Page # |
|---------|--|--------------------------|
| Consult | Scale columns | See page 208 |
| Consult | Ball transfer and roller conveyor scale tops | See page 207 |
| Consult | Mobile scale carts | See page 203 to page 206 |



Dimensions

| BenchMark HE | | | |
|--------------------------|----------|----|----------|
| 12 x 18 in | | | |
| H | 4.00 in | W | 18.00 in |
| L | 12.00 in | W1 | 18.50 in |
| L1 | 12.50 in | | |
| 18 x 18 x 5.25 in | | | |
| H | 5.25 in | W | 18.00 in |
| L | 18.00 in | W1 | 18.75 in |
| L1 | 18.75 in | | |
| 18 x 18 x 5.5 in | | | |
| H | 5.50 in | W | 18.00 in |
| L | 18.00 in | W1 | 18.75 in |
| L1 | 18.75 in | | |
| 18 x 24 in | | | |
| H | 5.50 in | W | 18.00 in |
| L | 24.00 in | W1 | 18.75 in |
| L1 | 24.75 in | | |
| 24 x 24 in | | | |
| H | 5.50 in | W | 24.00 in |
| L | 24.00 in | W1 | 24.75 in |
| L1 | 24.75 in | | |

Note: 1 in = 25.4 mm

BenchMark® HE-X

Hostile Environment Extreme Bench Scale

BENCH SCALES



Specifications

Load Cell, NTEP Certified:
IP69K stainless steel, hermetically sealed

Output Impedance:
1,000 ohm

Maximum Overload:
150% to 200% depending on capacity

Overload Protection:
Five-point, independently adjusted

Scale Frame:
AISI304L, glass bead blasted for even appearance

Scale Cover:
AISI304L, straight line finish, Ra=45 ± 10

Cable Length:
10 ft (3 m)

Temperature:
Compensated:
14 °F to 104 °F (-10 °C to 40 °C)

Warranty:
Three-year limited (includes water ingress)

Approvals:
Load cell is FM approved

Approvals



Standard Features

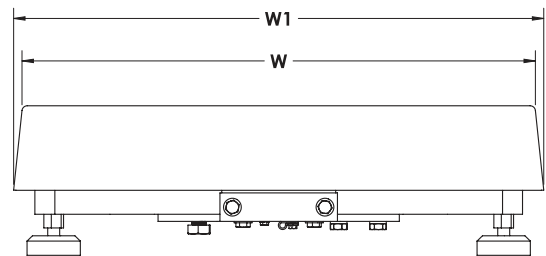
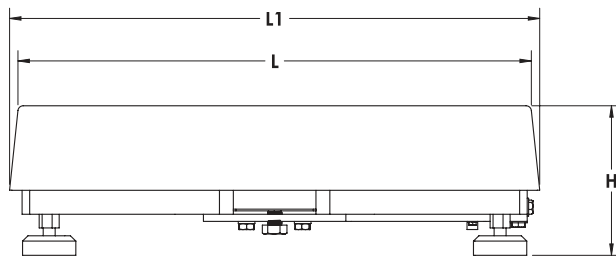
- IP69K stainless steel load cell
- Rugged washdown design, rigid 304 stainless steel frame and cover constructed with continuous welds
- Four adjustable stainless steel support feet
- Meets Sanitary Design Principles
- Meets HACCP requirements

Dimensions

| BenchMark HE-X | | | |
|----------------|----------|----|----------|
| 12 × 12 in | | | |
| H | 5.25 in | W | 18.00 in |
| L | 12.00 in | W1 | 18.50 in |
| L1 | 12.50 in | | |
| 18 × 18 in | | | |
| H | 5.25 in | W | 18.00 in |
| L | 18.00 in | W1 | 18.75 in |
| L1 | 18.75 in | | |

| 18 × 24 in | | | |
|------------|----------|----|----------|
| H | 5.25 in | W | 24.00 in |
| L | 18.00 in | W1 | 24.75 in |
| L1 | 18.75 in | | |
| 24 × 24 in | | | |
| H | 5.25 in | W | 24.00 in |
| L | 24.00 in | W1 | 24.75 in |
| L1 | 24.75 in | | |

Note: 1 in = 25.4 mm



Part Number/Price

| Part # | Capacity | Platform Dimensions (L x W x H) | Est. Weight | Price |
|--------|-------------------|---------------------------------|-------------|------------|
| 192346 | 50 lb (25 kg) | 12 x 18 x 5.25 in | 59 lb | \$2,925.00 |
| 192347 | 100 lb (50 kg) | 12 x 18 x 5.25 in | 59 lb | \$2,925.00 |
| 191455 | 50 lb (25 kg) | 18 x 18 x 5.25 in | 73 lb | \$3,100.00 |
| 191456 | 100 lb (50 kg) | 18 x 18 x 5.25 in | 73 lb | \$3,100.00 |
| 191457 | 150 lb (75 kg) | 18 x 18 x 5.25 in | 73 lb | \$3,100.00 |
| 191458 | 200 lb (100 kg) | 18 x 18 x 5.25 in | 73 lb | \$3,100.00 |
| 191459 | 250 lb (125 kg) | 18 x 18 x 5.25 in | 73 lb | \$3,100.00 |
| 191460 | 300 lb (150 kg) | 18 x 18 x 5.25 in | 73 lb | \$3,100.00 |
| 191461 | 500 lb (250 kg) | 18 x 18 x 5.25 in | 73 lb | \$3,100.00 |
| 191462 | 1,000 lb (500 kg) | 18 x 18 x 5.25 in | 73 lb | \$3,100.00 |
| 191467 | 50 lb (25 kg) | 18 x 24 x 5.25 in | 90 lb | \$3,345.00 |
| 191469 | 100 lb (50 kg) | 18 x 24 x 5.25 in | 90 lb | \$3,345.00 |
| 191470 | 150 lb (75 kg) | 18 x 24 x 5.25 in | 90 lb | \$3,345.00 |
| 191472 | 200 lb (100 kg) | 18 x 24 x 5.25 in | 90 lb | \$3,345.00 |
| 191473 | 250 lb (125 kg) | 18 x 24 x 5.25 in | 90 lb | \$3,345.00 |
| 191474 | 300 lb (150 kg) | 18 x 24 x 5.25 in | 90 lb | \$3,345.00 |
| 191475 | 500 lb (250 kg) | 18 x 24 x 5.25 in | 90 lb | \$3,345.00 |
| 191476 | 1,000 lb (500 kg) | 18 x 24 x 5.25 in | 90 lb | \$3,345.00 |
| 191479 | 100 lb (50 kg) | 24 x 24 x 5.25 in | 122 lb | \$3,600.00 |
| 191480 | 150 lb (75 kg) | 24 x 24 x 5.25 in | 122 lb | \$3,600.00 |
| 191481 | 200 lb (100 kg) | 24 x 24 x 5.25 in | 122 lb | \$3,600.00 |
| 191482 | 250 lb (125 kg) | 24 x 24 x 5.25 in | 122 lb | \$3,600.00 |
| 191483 | 300 lb (150 kg) | 24 x 24 x 5.25 in | 122 lb | \$3,600.00 |
| 191485 | 500 lb (250 kg) | 24 x 24 x 5.25 in | 122 lb | \$3,600.00 |
| 191486 | 1,000 lb (500 kg) | 24 x 24 x 5.25 in | 122 lb | \$3,600.00 |

Options/Accessories


| Part # | Description | Catalog Page # |
|---------|--|--------------------------|
| Consult | Scale columns | See page 208 |
| Consult | Ball transfer and roller conveyor scale tops | See page 207 |
| Consult | Mobile scale carts | See page 203 to page 206 |

BenchMark® LP

Low-Profile Bench Scale

BENCH SCALES



 Ideal for aviation weighing. A complete system can be sold with the Tracer® AV2. Reference Aviation section for specifications.

Standard Features

- Mild steel base construction
- 304 stainless steel cover
- ABS junction box
- Four planar beam load cells
- Adjustable leveling feet
- 20 ft of EL147 load cell cable
- Holes in lower frame for mounting scale without adjustable leveling feet

Specifications

Load Cell, Rated Output:
IP65 aluminum, 1.0 mV/V ± 10%

End Load Capacity:
60% of full scale capacity

Cable Length:
20 ft (6.1 m) for connecting junction box to indicator

Scale Frame:
Mild steel powder coated black

Scale Cover:
AISI304L, straight line finish, Ra=45 ± 10

Warranty:
Two-year limited

Approvals:
NTEP 08-017, Class III 5,000 d
(except 1,000 lb capacity)
Measurement Canada AM 5660
(except 500 kg capacity)

Approvals



Part Number/Price

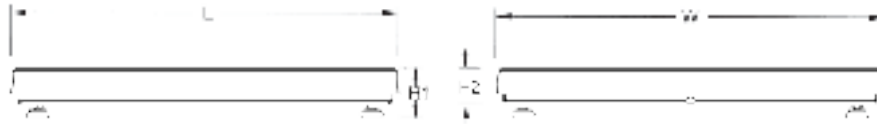
| Part # | Capacity | Platform Dimensions L × W × H1 (H2) | Est. Weight | Price |
|---------|-------------------|-------------------------------------|-------------|------------|
| 97662 | 100 lb (50 kg) | 18 × 18 × 2.63 in (1.67 in*) | 75 lb | \$1,385.00 |
| 97663 | 250 lb (125 kg) | 18 × 18 × 2.50 in (1.74 in*) | 85 lb | \$1,415.00 |
| 97664 | 500 lb (250 kg) | 18 × 18 × 2.69 in (1.93 in*) | 85 lb | \$1,450.00 |
| 97665 | 100 lb (50 kg) | 24 × 24 × 2.66 in (1.69 in*) | 85 lb | \$1,655.00 |
| 97666 | 250 lb (125 kg) | 24 × 24 × 2.83 in (2.07 in*) | 100 lb | \$1,680.00 |
| 97667 | 500 lb (250 kg) | 24 × 24 × 3.02 in (2.26 in*) | 100 lb | \$1,715.00 |
| 97668 | 500 lb (250 kg) | 30 × 30 × 3.02 in (2.26 in*) | 150 lb | \$1,975.00 |
| 97669** | 1,000 lb (500 kg) | 30 × 30 × 3.47 in (2.70 in*) | 190 lb | \$2,040.00 |
| 97670 | 500 lb (250 kg) | 36 × 36 × 3.02 in (2.26 in*) | 175 lb | \$2,590.00 |
| 97671** | 1,000 lb (500 kg) | 36 × 36 × 3.47 in (2.70 in*) | 175 lb | \$2,650.00 |

*Height without adjustable leveling feet

** Non-NTEP or Measurement Canada Approved

Options/Accessories

| Part # | Description | Price |
|--------|--|---------|
| 208904 | 20 ft cable with DB-9 connector for connecting to Tracer AV2 | \$50.00 |



Dimensions

| BenchMark LP | | | |
|--------------|---------|---|----------|
| PN 97662 | | | |
| H1 | 2.63 in | L | 18.00 in |
| H2 | 1.67 in | W | 18.00 in |
| PN 97663 | | | |
| H1 | 2.50 in | L | 18.00 in |
| H2 | 1.74 in | W | 18.00 in |
| PN 97664 | | | |
| H1 | 2.69 in | L | 18.00 in |
| H2 | 1.93 in | W | 18.00 in |
| PN 97665 | | | |
| H1 | 2.66 in | L | 24.00 in |
| H2 | 1.69 in | W | 24.00 in |

Note: 1 in = 25.4 mm

| PN 97666 | | | |
|----------|---------|---|----------|
| H1 | 2.83 in | L | 24.00 in |
| H2 | 2.07 in | W | 24.00 in |
| PN 97667 | | | |
| H1 | 3.02 in | L | 24.00 in |
| H2 | 2.26 in | W | 24.00 in |
| PN 97668 | | | |
| H1 | 3.02 in | L | 30.00 in |
| H2 | 2.26 in | W | 30.00 in |
| PN 97669 | | | |
| H1 | 3.47 in | L | 30.00 in |
| H2 | 2.70 in | W | 30.00 in |

Note: 1 in = 25.4 mm

| PN 97670 | | | |
|----------|---------|---|----------|
| H1 | 3.02 in | L | 36.00 in |
| H2 | 2.26 in | W | 36.00 in |
| PN 97671 | | | |
| H1 | 3.47 in | L | 36.00 in |
| H2 | 2.70 in | W | 36.00 in |

Note: 1 in = 25.4 mm

BenchMark® HD

Heavy-Duty Bench Scale



Standard Features

- Heavy-duty designed mild steel base construction with 304 stainless steel cover
- Polyurethane rubber leveling feet with stainless steel stems

Specifications

Load Cell, NTEP Certified:
IP67 aluminum, environmentally sealed

Output Impedance:
350 ohm

Maximum Overload:
200%

Overload Protection:
Five-point, independently adjusted

Scale Frame:
Mild steel powder coated black

Scale Cover:
AISI304L, straight line finish, Ra=45 ± 10

Cable Length:
10 ft (3 m)

Temperature:
Compensated:
14 °F to 104 °F (-10 °C to 40 °C)

Warranty:
Two-year limited

Approvals:
NTEP 06-010, Class III 5,000 d
Measurement Canada AM-5625
Load cell is cFMus approved

Approvals



Measurement
Canada
Approved



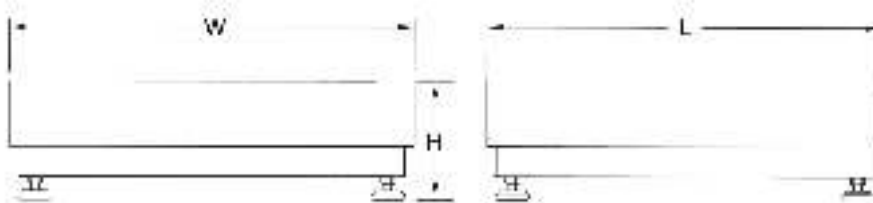
Part Number/Price

| Part # | Capacity | Platform Dimensions (L × W × H) | Est. Weight | Price |
|--------|-----------------|---------------------------------|-------------|------------|
| 93414 | 250 lb (125 kg) | 30 × 30 × 8.75 in | 300 lb | \$2,125.00 |
| 93415 | 500 lb (225 kg) | 30 × 30 × 8.75 in | 300 lb | \$2,125.00 |
| 93416 | 250 lb (125 kg) | 36 × 36 × 8.75 in | 330 lb | \$2,575.00 |
| 93417 | 500 lb (225 kg) | 36 × 36 × 8.75 in | 330 lb | \$2,575.00 |

Dimensions

| BenchMark HD | | | |
|-------------------|----------|---|----------|
| 30 × 30 in | | | |
| H | 8.75 in | W | 30.00 in |
| L | 30.00 in | | |
| 36 × 36 in | | | |
| H | 8.75 in | W | 36.00 in |
| L | 36.00 in | | |

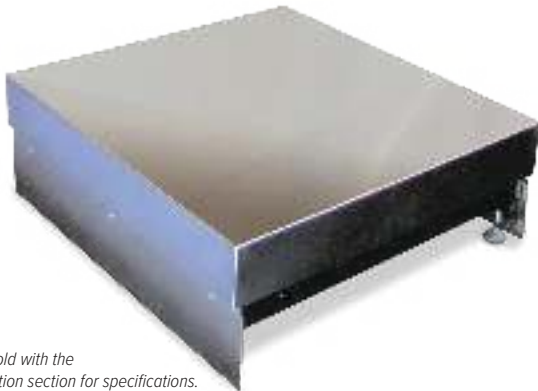
Note: 1 in = 25.4 mm



BenchMark® HD-1 Aviation

Heavy Duty Bench Scale

BENCH SCALES



*Ideal for aviation weighing.
A complete system can be sold with the
Tracer® AV2. Reference Aviation section for specifications.*

Approvals



Part Number/Price

| Part # | Capacity | Platform Dimensions | Price |
|---------|-----------------|---------------------|---------|
| Consult | 500 lb (225 kg) | W × D × 12 in | Consult |

*Note: Maximum size is up to 36in × 36in, height is always 12in
W × D supplied by customer*

Standard Features

- Heavy-duty scale designed mild steel base construction with 304 stainless steel cover
- Polyurethane rubber leveling feet with stainless steel stems
- Load cell comes standard with DB-9 connector for connecting to Tracer AV2
- Front and back kick plates

Specifications

Load Cell, NTEP Certified:

IP67 aluminum, environmentally sealed

Output Impedance:

350 ohm

Maximum Overload:

200%

Overload Protection:

Five-point, independently adjusted

Cable Length:

10 ft (3 m)

Temperature:

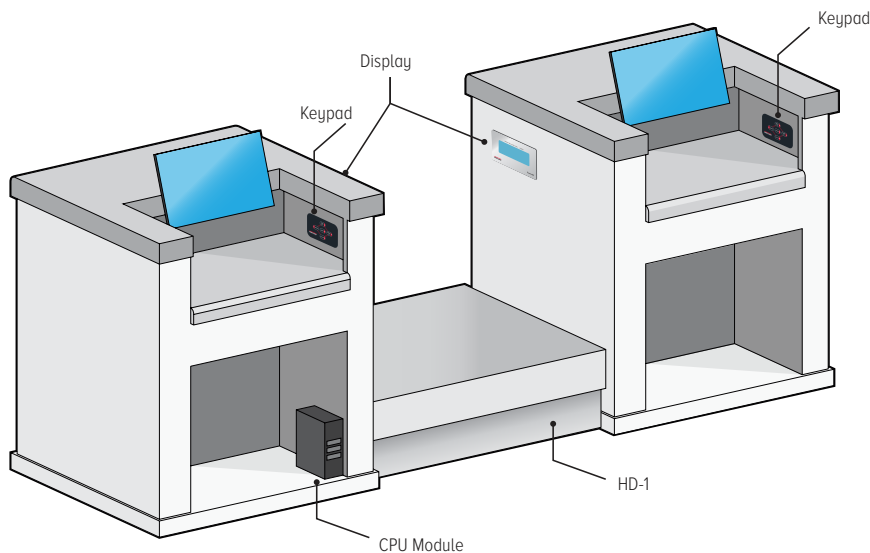
Compensated:
14 °F to 104 °F (-10 °C to 40 °C)

Warranty:

Two-year limited

Approvals:

NTEP 06-010, Class III 5,000 d
Measurement Canada AM-5625
Load cell is cFMus approved

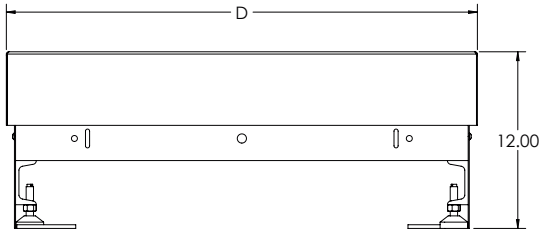
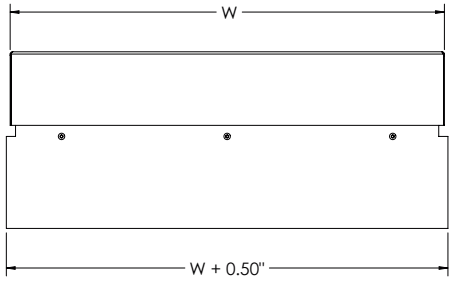
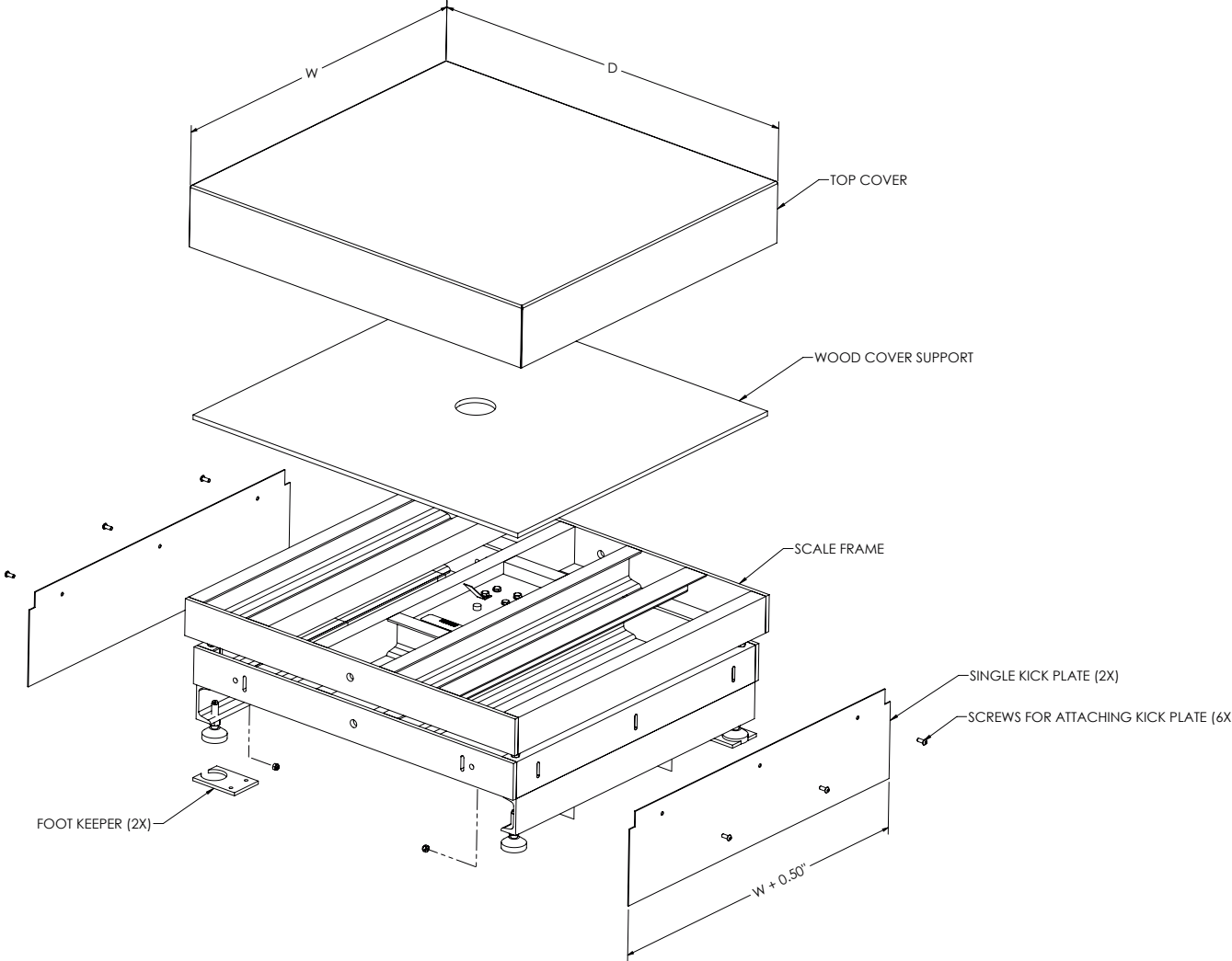


Baggage weighing system with Benchmark HD-1 and Tracer AV2Dual LCD Panel Mount Display, Dual keypad

BenchMark® HD-1 Aviation

Heavy Duty Bench Scale

BENCH SCALES



BenchMark® HD-2 Aviation

Heavy Duty Bench Scale

BENCH SCALES



Ideal for aviation weighing. A complete system can be sold with the Tracer® AV2. Reference Aviation section for specifications.

Approvals



Measurement
Canada
Approved



Part Number/Price

| Part # | Capacity | Platform Dimensions | Price |
|---------|-----------------|---------------------|---------|
| Consult | 500 lb (225 kg) | W × D × 12 in | Consult |

Note: Maximum size is up to 36in × 36in, height is always 12in W × D supplied by customer.

Standard Features

- Heavy-duty scale designed mild steel base construction with 304 stainless steel cover
- Polyurethane rubber leveling feet with stainless steel stems
- Load cell comes standard with DB-9 connector for connecting to Tracer AV2
- Three-sided kick plate

Specifications

Load Cell, NTEP Certified:

IP67 aluminum, environmentally sealed

Output Impedance:

350 ohm

Maximum Overload:

200%

Overload Protection:

Five-point, independently adjusted

Cable Length:

10 ft (3 m)

Temperature:

Compensated:

14 °F to 104 °F (-10 °C to 40 °C)

Warranty:

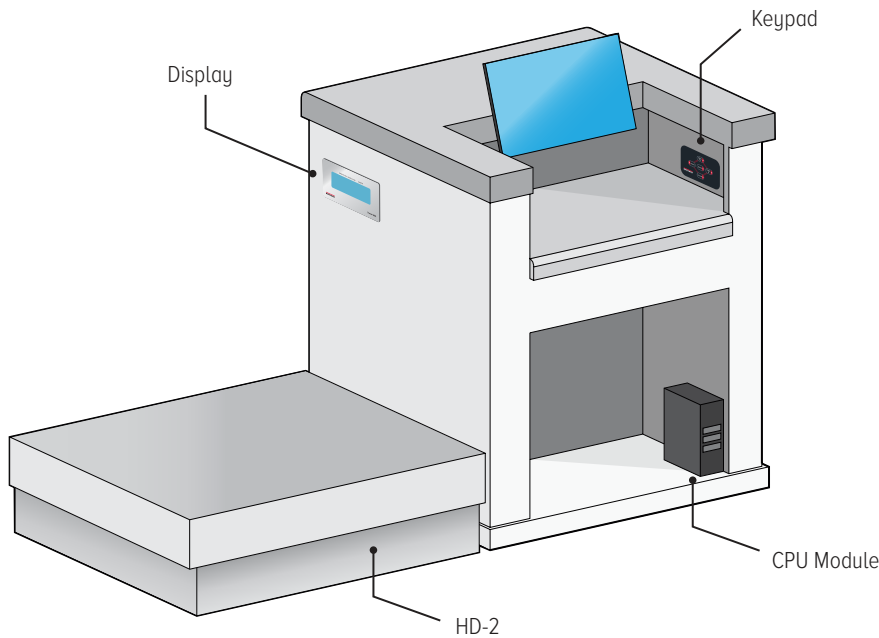
Two-year limited

Approvals:

NTEP 06-010, Class III 5,000 d

Measurement Canada AM-5625

Load cell is cFMus approved

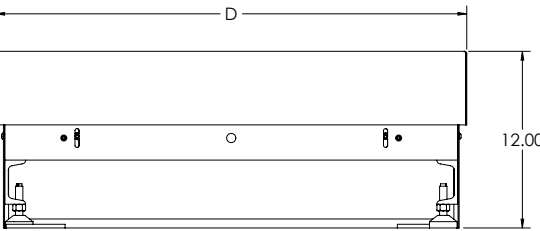
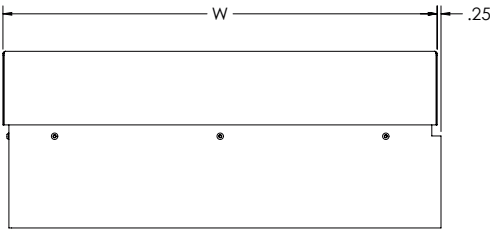
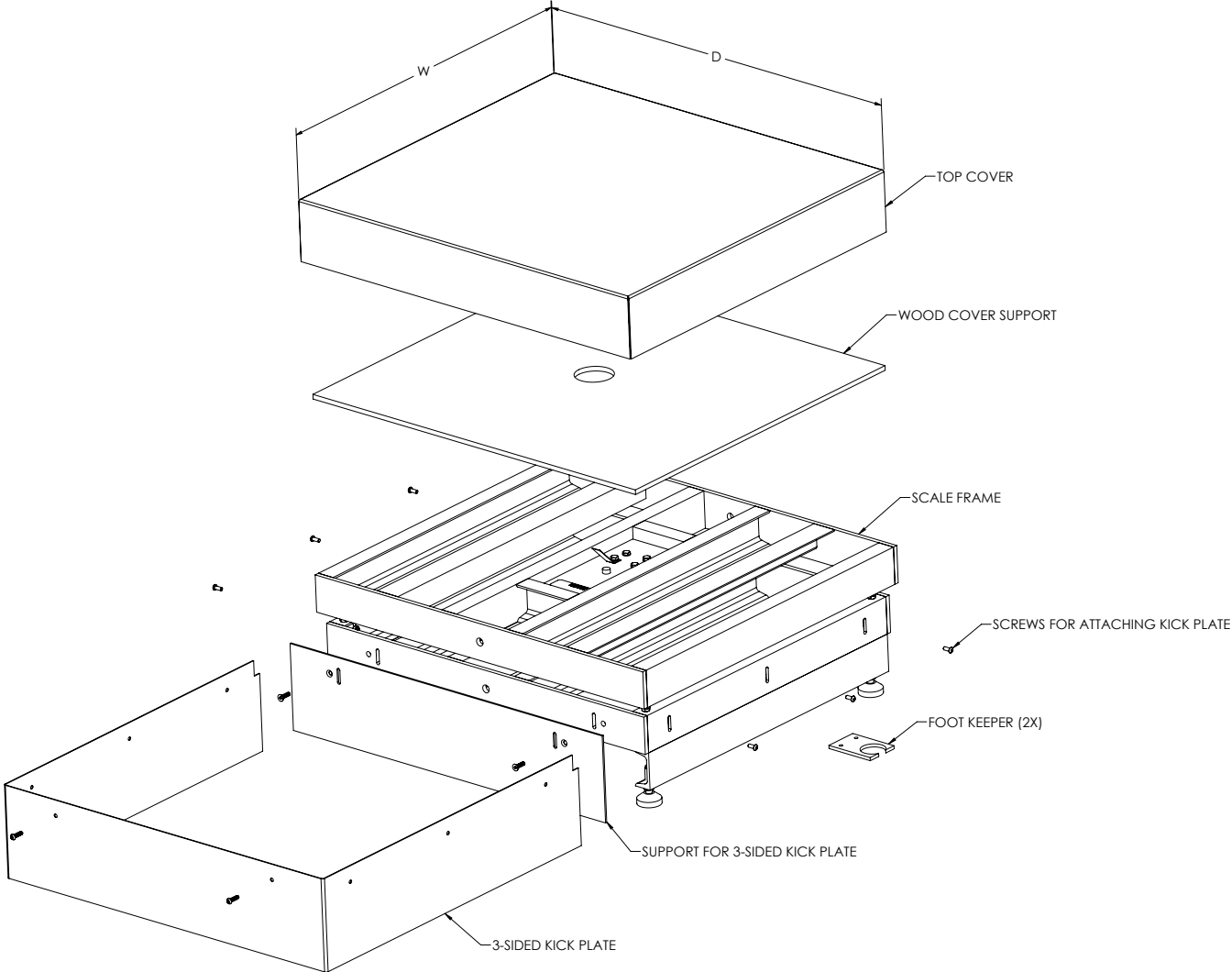


Baggage weighing system with Benchmark HD-2 and Tracer AV2 Single LCD Panel Mount Display, Single keypad

BenchMark® HD-2 Aviation

Heavy Duty Bench Scale

BENCH SCALES



BenchMark® HD-3 Aviation

Heavy Duty Bench Scale

BENCH SCALES



Ideal for aviation weighing. A complete system can be sold with the Tracer® AV2. Reference Aviation section for specifications.

Approvals



Measurement
Canada
Approved



Part Number/Price

| Part # | Capacity | Platform Dimensions | Price |
|---------|-----------------|---------------------|---------|
| Consult | 500 lb (225 kg) | W × D × 12 in | Consult |

*Note: Maximum size is up to 36in × 36in, height is always 12in
W × D supplied by customer.*

Standard Features

- Two heavy-duty scales designed mild steel base construction with 304 stainless steel cover
- Polyurethane rubber leveling feet with stainless steel stems
- Load cell comes standard with DB-9 connector for connecting to Tracer AV2
- Front and back kick plates for two side-by-side scales

Specifications

Load Cell, NTEP Certified:

IP67 aluminum, environmentally sealed

Output Impedance:

350 ohm

Maximum Overload:

200%

Overload Protection:

Five-point, independently adjusted

Cable Length:

10 ft (3 m)

Temperature:

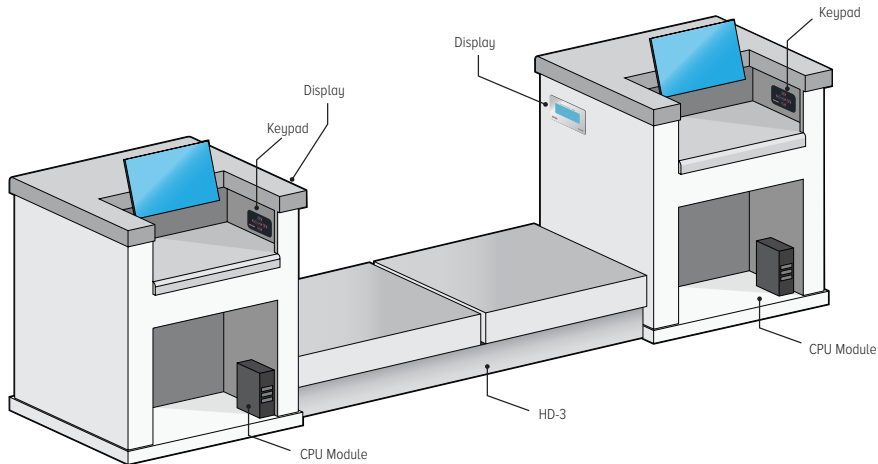
Compensated:
14 °F to 104 °F (-10 °C to 40 °C)

Warranty:

Two-year limited

Approvals:

NTEP 06-010, Class III 5,000 d
Measurement Canada AM-5625
Load cell is cFMus approved

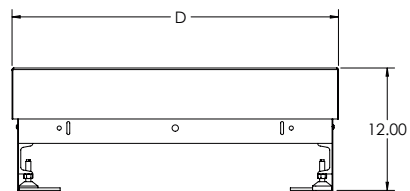
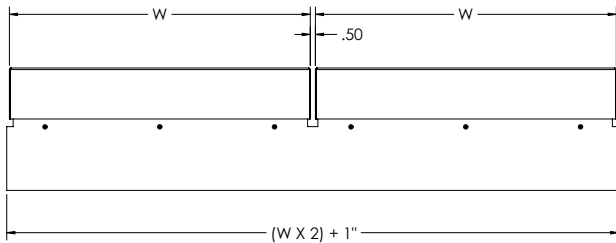
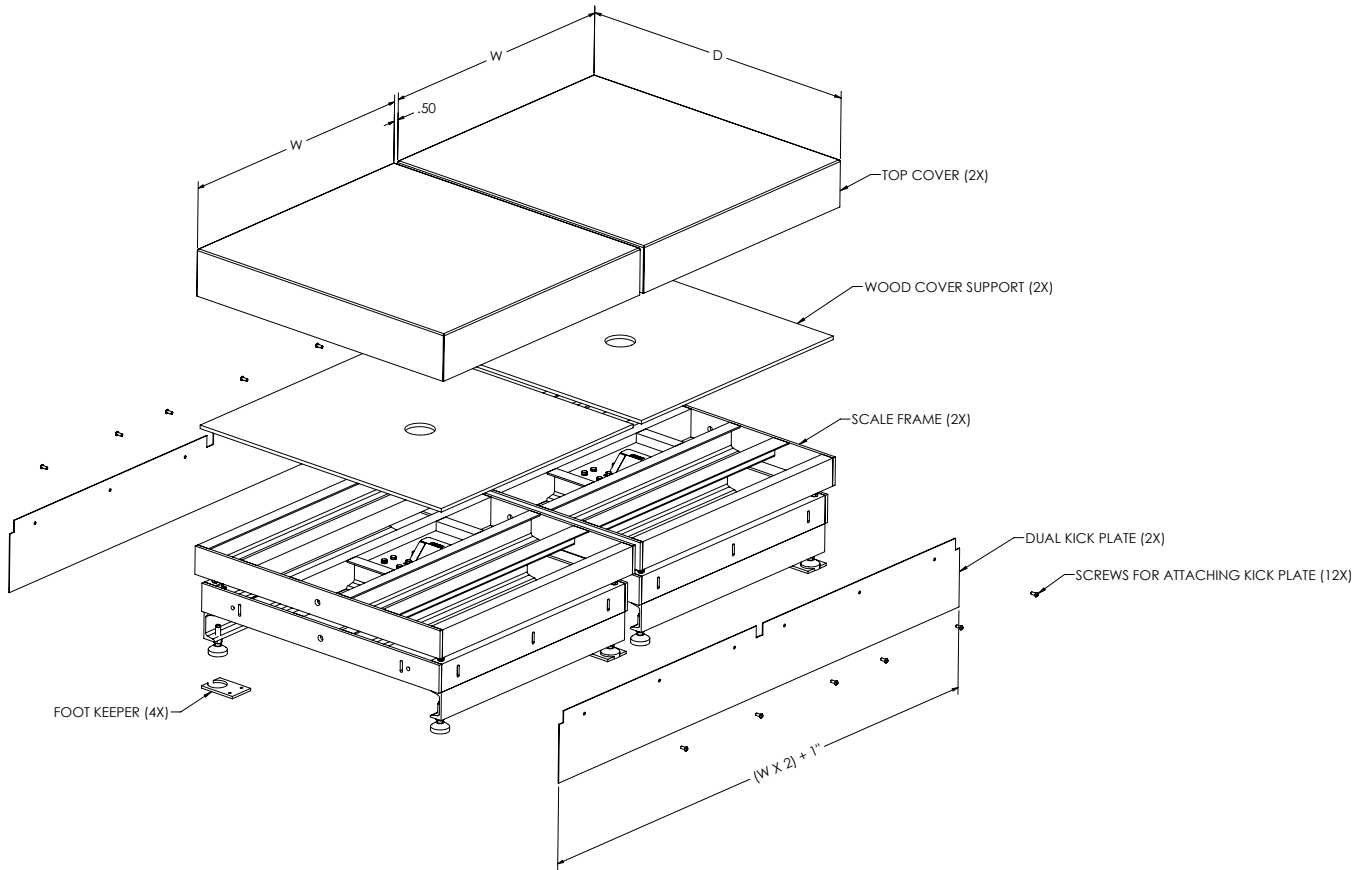


Baggage weighing system with BenchMark HD-3 and Tracer AV2 Single LCD Panel Mount Display, Single keypad

BenchMark® HD-3 Aviation

Heavy Duty Bench Scale

BENCH SCALES



BenchMark® HDP

Portable Heavy-Duty Bench Scale

BENCH SCALES



Standard Features

- Mild steel base construction
- 304 stainless steel cover
- Indicator stand for mounting 380 Synergy

Wheel model

- Polyurethane rubber leveling feet with stainless steel stems
- 8-inch diameter preformed rubber wheels with ball bearings

Caster model

- 3 1/2 in diameter preformed rubber casters, two fixed, two swivel with lock

Specifications

Load Cell, NTEP Certified:

IP67 aluminum, environmentally sealed

Output Impedance:

350 ohm

Maximum Overload:

200%

Overload Protection:

Five-point, independently adjusted

Scale Frame:

Mild steel powder-coated black

Scale Cover:

AISI304L, straight line finish, Ra=45 ± 10

Cable Length:

10 ft (3 m)

Temperature:

Compensated:

14 °F to 104 °F (-10 °C to 40 °C)

Warranty:

Two-year limited

Approvals:

NTEP 06-010, Class III 5,000 d
Measurement Canada AM-5625

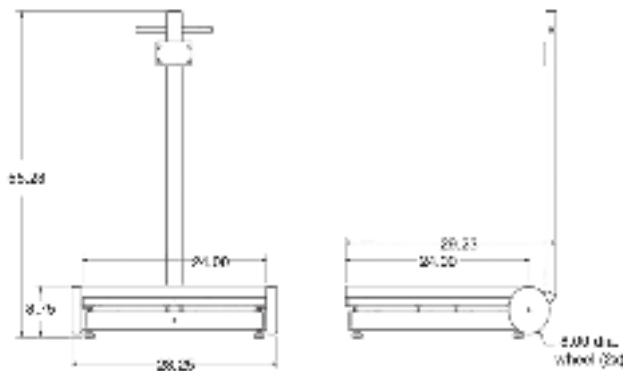
Approvals



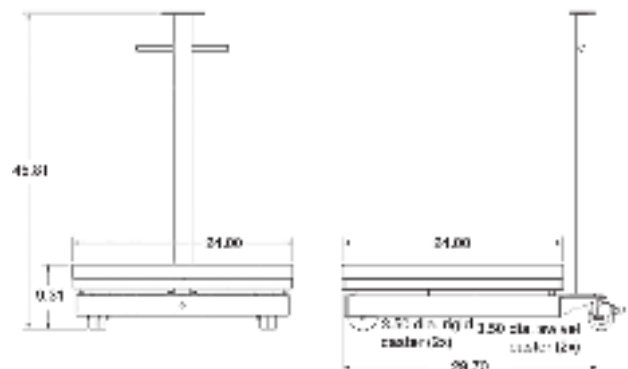
Measurement
Canada
Approved

Part Number/Price

| Part # | Capacity | Platform Dimensions | Est. Weight | Price |
|---------------------|-----------------|---------------------|-------------|------------|
| Wheel Model | | | | |
| 97072 | 250 lb (125 kg) | 24 × 24 × 8.75 in | 275 lb | \$2,495.00 |
| 97073 | 500 lb (225 kg) | 24 × 24 × 8.75 in | 275 lb | \$2,495.00 |
| Caster Model | | | | |
| 97074 | 250 lb (125 kg) | 24 × 24 × 9.31 in | 290 lb | \$2,495.00 |
| 97075 | 500 lb (225 kg) | 24 × 24 × 9.31 in | 290 lb | \$2,495.00 |



Wheel Model



Caster Model

Ishida iPC Series

Portable Bench Scale

BENCH SCALES



Standard Features

- Six-digit liquid crystal display (LCD)
- Powered by two D cell batteries (up to 500 hours of operation)
- Auto power-off function
- Low battery indicator
- Overload stops
- Batteries and AC adapter not included

Specifications

Display:

Six-digit (seven-segment), LCD
Character height: 1 in (25.4 mm)

Keyboard:

Zero, tare, on/off, unit (lb/kg)
NOTE: oz version only displays weight in oz

Power:

Two dry cell D type batteries (up to 500 hours) or AC adapter*
Auto power-off function (can be set to 60 min., 20 min., or off)

Temperature:

Operating: 23 °F to 104 °F (-5 °C to 40 °C)

Divisions (Auto Ranging):

30 lb
0.01 lb:
0 to 15 lb
0.02 lb: 15 to 30 lb
60 lb
0.02 lb: 0 to 30 lb
0.05 lb: 30 to 60 lb

Platter Size:

30 lb (15 kg): 11 × 11.5 in
60 lb (30 kg): 11 × 11.5 in

Warranty:

One-year limited

Approvals:

NTEP 02-139, Class III
30 lb 1,500 d; 60 lb 1,200 d
UL listed

Approvals



Part Number/Price

| Part # | Capacity | Platform Dimensions | Est. Weight | Price |
|--------|---------------|---------------------|-------------|----------|
| 75457 | 30 lb (15 kg) | 11 × 11.5 in | 8 lb | \$295.00 |
| 75458 | 60 lb (30 kg) | 11 × 11.5 in | 8 lb | \$295.00 |

Options/Accessories

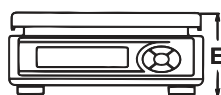
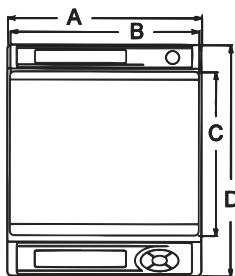
| Part # | Description | Price |
|---------|--|---------|
| 75739 | Stainless steel platter cover (30 lb and 60 lb capacity) | \$29.00 |
| 75473 * | AC adapter | \$30.00 |

*National Recognized Test Laboratory certified adapter

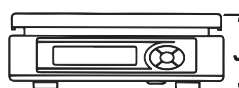
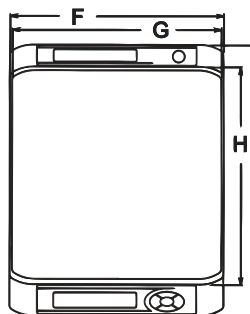
Dimensions

| Ishida iPC Series | | | |
|-------------------|----------|---|----------|
| A | 9.30 in | F | 11.30 in |
| B | 9.10 in | G | 11.00 in |
| C | 7.80 in | H | 11.50 in |
| D | 11.10 in | I | 14.30 in |
| E | 3.90 in | J | 4.00 in |

Note: 1 in = 25.4 mm



iPC 9.1" x 7.8" platter



iPC 11" x 11.5" platter

Versa-portion®

Compact Scale

BENCH SCALES



Approvals



Measurement
Canada
Approved

Part Number/Price

| Part # | Description | Capacity | Est. Weight | Price |
|--------|-------------|------------------|----------------|----------|
| 115125 | RLP-6S | 6.00 × 0.002 lb | 15 lb (6.3 kg) | \$450.00 |
| 115128 | RLP-15S | 15.00 × 0.005 lb | 15 lb (6.3 kg) | \$450.00 |
| 115129 | RLP-30S | 30.00 × 0.01 lb | 15 lb (6.3 kg) | \$450.00 |
| 115130 | RLP-60S | 60.00 × 0.02 lb | 15 lb (6.3 kg) | \$450.00 |

Options/Accessories

| Part # | Description | Price |
|--------|------------------------------------|---------|
| 108516 | Rechargeable battery | \$50.00 |
| 108518 | AC adapter 110-230 VAC, U.S. plug | \$50.00 |
| 129953 | AC adapter, 110-230 VAC, Euro plug | \$55.00 |
| 115519 | Additional operator guide | \$10.00 |

Standard Features

- Compact and easy to use
- IP68 water and dust resistant
- Stainless steel finish
- Removable weigh pan for quick and easy cleaning
- LED display
- AC adapter included
- Legal for Trade
- HACCP compliant

Options

- Rechargeable battery

Specifications

Display:

LED, six-digit

Capacity:

| | Pound | Gram | Ounce |
|---------|-----------------|---------------|-----------------|
| RLP-6S | 6.0 × 0.002 lb | 3,000 × 1 g | 60.0 × 0.02 oz |
| RLP-15S | 15.0 × 0.005 lb | 6,000 × 2 g | 150.0 × 0.05 oz |
| RLP-30S | 30.0 × 0.01 lb | 15,000 × 5 g | 300.0 × 0.1 oz |
| RLP-60S | 60.0 × 0.02 lb | 30,000 × 10 g | 600.0 × 0.2 oz |

Display Indicators:

Ounces, grams, pounds, net, center of zero, battery usage

Keyboard:

Rezero, tare, on/off, unit

Resolution:

Internal: 90,000 count

Display: 3,000

Humidity:

15 to 85% RH

Temperature:

Operating: 14 °F to 104 °F (-10 °C to 40 °C)

Power Consumption:

18 W when using DC power, 3 W when using rechargeable battery
Battery life: 60 hours of continuous usage

Power Source:

AC 117/100 V, 240/230/220 V
DC 12 V/1.5 A, DC 6 V 5 Ah optional rechargeable battery

Calibration:

RLP-S: Grams

Overall Dimensions:

(L × W × H)
11.4 × 9.9 × 5.3 in
(290 × 252 × 135 mm)

Package Size:

(L × W × H)
14.8 × 13.3 × 9.6 in
(377 × 337 × 245 mm)

Platter Size:

9.3 × 7.8 in
(237 × 198.0 mm)

Warranty:

One-year limited

Approvals:

NTEP 10-068, Class III 3,000 d
Measurement Canada AM-5794



Standard Features

- Simple operation, easy to set up
- Large six-digit backlight LCD display with 1-inch (29 mm) characters protected by heavy-duty tempered glass
- Powered USB HID point of sale interface, kg model only
- Nine-pin RS-232 interface for use with SMA and NCI protocols
- Four AA alkaline battery operation for portability
- Gravitational compensation allows for adjustment of factory calibration to meet your local gravity setting, non-approved

Specifications

- Power:**
In-line power supply (included)
- Input:**
100 to 240 VAC, +10% -15%, 3-wire w/ground
Terminated with standard USA 3-prong plug
- Output:**
12 V at 0.1 Amps DC minimum
- Frequency:**
50/60 Hz ± 3 Hz
- Power supply approvals:**
UL, CE, EN, CUL
- Battery Type:**
Four AA alkaline batteries, 6 V,
with low battery indication at 4.3 volts
- Battery Life:**
50 to 250 hrs depending on backlight and auto-shutdown settings
- Excitation:**
3.0 mV/V
- Resolution:**
Internal: 500,000 counts
- USB HID:**
USB 2.0 full speed; Vendor ID: 1C19;
Product ID: 0002

Approvals



Part Number/Price

| Part # | Platform Capacity | Dimensions | Est. Weight | Price |
|--------|-----------------------|------------|-------------|----------|
| 187832 | 35 kg triple range | 12 × 14 in | 18 lb | \$625.00 |
| 195741 | 35 kg triple interval | 12 × 14 in | 18 lb | \$625.00 |
| 192361 | 70 lb dual range | 12 × 14 in | 18 lb | \$625.00 |
| 195742 | 70 lb dual interval | 12 × 14 in | 18 lb | \$625.00 |

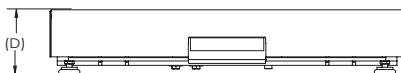
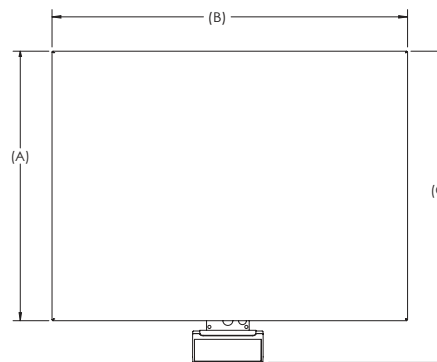
Options/Accessories

| Part # | Description | Est. Weight | Price |
|--------|--|-------------|----------|
| 174783 | Column bracket and post (12 × 14 scale only) | 2 lb | \$50.00 |
| 180901 | Second customer display, BenchPro BP-P no keyboard with 68 in cable | 4 lb | \$72.00 |
| 174784 | Second remote operator display, BenchPro BP-P with 68 in cable | 4 lb | \$88.00 |
| 183103 | 16 in (H) tabletop display post for use with second display, customer or remote operator | 4 lb | \$215.00 |
| 178501 | USB RS-232 serial adapter 3.28 ft cable | 1 lb | \$60.00 |

Dimensions

| BenchPro BP-P | | | |
|---------------|----------|---|----------|
| A | 12.00 in | C | 14.50 in |
| B | 14.00 in | D | 2.70 in |

Note: 1 in = 25.4 mm



BP-P shown with 183103 and 180901



Shown with 174783

Divisions (multi-range):

- kg triple range:**
0 to 5 kg × 0.001 kg
0 to 10 kg × 0.002 kg
0 to 35 kg × 0.01 kg
- lb/oz dual range:**
0 to 7 lb × 0.05 oz
0 to 70 lb × 0.2 oz

Divisions (Multi-Interval):

- kg triple interval:**
0 to 5 kg × 0.001 kg
5 to 10 kg × 0.002 kg
10 to 35 kg × 0.01 kg
- Lb/oz dual interval:**
0 to 7 lb × 0.05 oz
7 to 70 lb × 0.2 oz

Material:

Display: ABS plastic housing
Scale base: Die-cast aluminum load bridge and base housing with stainless steel weight platter

Dynamic Response:

Response time for stable weight:
0 to 1,000 d, 1,000 ms, maximum mean average
1,000 d +, 1,500 ms, maximum mean average

Overload Protection:

Corner and center overload protection

Display:

Large six-digit backlight LCD display with 1-inch (29 mm) Characters protected by heavy-duty tempered glass

Annunciators:

Six: zero, gross/brutto, net, W1/W2/W3 multi-range

Keys/Buttons:

Three: units, on/off, F1
(Tare is not applicable)
Minimum key press life of 500,000 cycles

RS-232 Cable (Included):

10 ft DB 9-pin male to female, straight pass-through

USB Cable (Included):

46 in (1,168 mm) A/B type USB cable

Warranty:

Two-year limited

Approvals:

NTEP 17-002
Canada Weights and Measures: AM - 6050
CE Marked

BenchPro™ BP-S

Shipping Bench Scale

BENCH SCALES



Approvals



Measurement
Canada
Approved



Part Number/Price

| Part # | Platform Capacity | Dimensions | Est. Weight | Price |
|----------|------------------------------|------------|-------------|------------|
| 174879 * | 150 × 0.05 lb (75 × 0.02 kg) | 12 × 14 in | 17 lb | \$625.00 |
| 182993 | 150 × 0.05 lb (75 × 0.02 kg) | 12 × 16 in | 31 lb | \$1,135.00 |
| 182391 | 100 × 0.02 lb (50 × 0.01 kg) | 18 × 18 in | 63 lb | \$1,490.00 |
| 182378 | 150 × 0.05 lb (75 × 0.02 kg) | 18 × 18 in | 63 lb | \$1,490.00 |
| 182382 | 300 × 0.1 lb (150 × 0.05 kg) | 18 × 18 in | 63 lb | \$1,490.00 |
| 182395 | 300 × 0.1 lb (150 × 0.05 kg) | 20 × 20 in | 76 lb | \$1,670.00 |
| 182399 | 300 × 0.1 lb (150 × 0.05 kg) | 24 × 24 in | 131 lb | \$1,840.00 |

* Battery or DC power

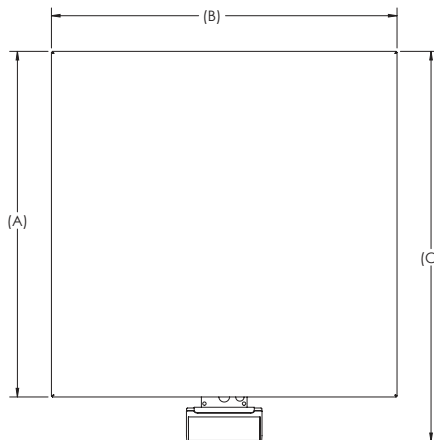
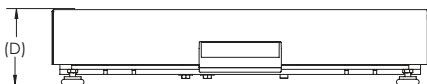
Options/Accessories

| Part # | Description | Est. Weight | Price |
|--------|--|-------------|----------|
| 174783 | Column bracket and post (12 × 14 scale only) | 2 lb | \$50.00 |
| 180901 | Second customer display, BenchPro BP-S no keyboard with 68 in cable | 4 lb | \$72.00 |
| 174784 | Second remote operator display, BenchPro BP-S with 68 in cable | 4 lb | \$88.00 |
| 183103 | 16 in (H) tabletop display post for use with second display, customer or remote operator | 4 lb | \$215.00 |
| 178501 | USB RS-232 serial adapter | 1 lb | \$60.00 |

Dimensions

| | A | B | C | D |
|------------|----------|----------|----------|---------|
| 12 × 14 in | 12.00 in | 14.00 in | 14.50 in | 2.70 in |
| 12 × 16 in | 12.00 in | 16.00 in | 15.30 in | 4.32 in |
| 18 × 18 in | 18.00 in | 18.00 in | 21.10 in | 4.30 in |
| 20 × 20 in | 20.00 in | 20.00 in | 23.10 in | 4.30 in |
| 24 × 24 in | 24.00 in | 24.00 in | 27.10 in | 4.30 in |

Note: 1 in = 25.4 mm



Standard Features

- Simple operation, easy to set up
- Large six-digit backlight LCD display with 1-inch (29 mm) characters protected by heavy-duty tempered glass
- Powered USB HID point of sale interface
- Nine-pin RS-232 interface for use with SMA and NCI protocols
- Four AA alkaline battery operation for portability
- Gravitational compensation allows for adjustment of factory calibration to meet your local gravity setting, non-approved
- Compatible with FedEx Ship Manager® and UPS Worldship®

Specifications

Power:

In-line power supply (included)

Input:

100 to 240 VAC, +10% -15%, 3-wire w/ground
Terminated with standard USA 3-prong plug

Battery:

(12 × 14 in scale only)
Four AA alkaline batteries,
6 V, with low battery indication at 4.3 volts

Power Consumption:

12 V at 0.1 amps DC minimum

Frequency:

50/60 Hz ± 3 Hz

Battery Life:

50 to 250 hrs depending on backlight and auto-shutdown settings

Excitation:

3.0 mV/V

Resolution:

Internal: 500,000 counts

USB HID:

USB 2.0 full speed; Vendor ID: 1C19;
Product ID: 0002

RS-232 Cable (Included):

10 ft DB 9-pin male to female, straight pass-through

USB Cable (Included):

46 in (1,168 mm) A/B type USB cable

Dynamic Response:

Response time for stable weight:
0 to 1,000 d, 1,000 ms, maximum mean average
1,000 d +, 1,500 ms, maximum mean average

Overload Protection:

Corner and center overload protection

Annunciators:

Six: zero, gross/brutto, net, W1/W2/W3 multi-range

Display:

Large six-digit backlight LCD display with 1-inch (29 mm) characters protected by heavy-duty tempered glass

Keys/Buttons:

Four: units, tare, on/off, F1
Minimum key press life of 500,000 cycles

Material:

Display: ABS plastic housing
Scale base: Powder coat painted mild steel base plate and load bridge with stainless steel weight platter
BP-S 12 × 14 in: Die-cast aluminum load bridge and base housing with stainless steel weight platter

Warranty:

Two-year limited

Approvals:

NTEP 17-002
Canada Weights and Measures: AM-6050
CE Marked

BenchPro™ BP-SB

Shipping Bench Scale with Ball Top Shroud



Approvals



Measurement
Canada
Approved



Part Number/Price

| Part # | Capacity | Dimensions | Est. Weight | Price |
|--------|------------------------------|------------|-------------|------------|
| 182995 | 150 × 0.05 lb (75 × 0.02 kg) | 12 × 16 in | 37 lb | \$1,365.00 |
| 182393 | 100 × 0.02 lb (50 × 0.01 kg) | 18 × 18 in | 73 lb | \$1,835.00 |
| 182380 | 150 × 0.05 lb (75 × 0.02 kg) | 18 × 18 in | 73 lb | \$1,835.00 |
| 182384 | 300 × 0.1 lb (150 × 0.05 kg) | 18 × 18 in | 73 lb | \$1,835.00 |
| 182397 | 300 × 0.1 lb (150 × 0.05 kg) | 20 × 20 in | 88 lb | \$2,035.00 |
| 182401 | 300 × 0.1 lb (150 × 0.05 kg) | 24 × 24 in | 131 lb | \$2,240.00 |

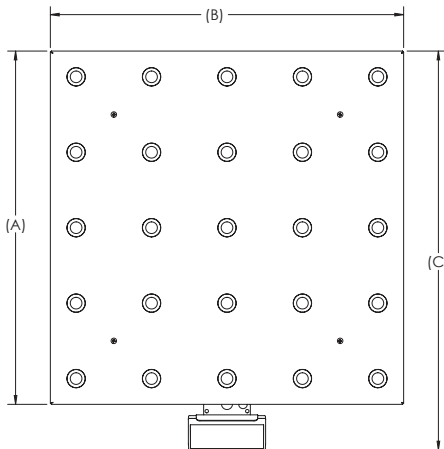
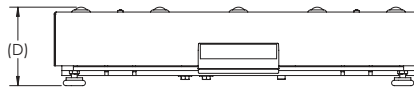
Options/Accessories

| Part # | Description | Est. Weight | Price |
|--------|--|-------------|----------|
| 180901 | Second customer display, BenchPro BP-SB no keyboard with 68 in cable | 4 lb | \$72.00 |
| 174784 | Second remote operator display, BenchPro BP-SB with 68 in cable | 4 lb | \$88.00 |
| 183103 | 16 in (H) tabletop display post for use with second display, customer or remote operator | 4 lb | \$215.00 |
| 178501 | USB RS-232 serial adapter | 1 lb | \$60.00 |

Dimensions

| | A | B | C | D |
|------------|----------|----------|----------|---------|
| 12 × 16 in | 12.00 in | 16.00 in | 15.30 in | 4.32 in |
| 18 × 18 in | 18.00 in | 18.00 in | 21.10 in | 4.86 in |
| 20 × 20 in | 20.00 in | 20.00 in | 23.10 in | 4.86 in |
| 24 × 24 in | 24.00 in | 24.00 in | 27.10 in | 4.86 in |

Note: 1 in = 25.4 mm



Standard Features

- Simple operation, easy to set up
- Large six-digit backlight LCD display with 1-inch (29 mm) characters protected by heavy-duty tempered glass
- Powered USB HID point of sale interface
- Nine-pin RS-232 interface for use with SMA and NCI protocols
- Gravitational compensation allows for adjustment of factory calibration to meet your local gravity setting, non-approved
- Compatible with FedEx Ship Manager® and UPS Worldship®

Specifications

Power:

In-line power supply (included)

Input:

100 to 240 VAC, +10% -15%, 3-wire w/ground
Terminated with standard USA 3-prong plug

Output:

12 V at 0.1 amps DC minimum

Frequency:

50/60 Hz ±3 Hz

Approvals:

UL, CE, EN, CUL

Excitation:

3.0 mV/V

Resolution:

Internal: 500,000 counts

USB HID:

USB 2.0 full speed; Vendor ID: 1C19;
Product ID: 0002

RS-232 Cable (Included):

10 ft DB 9-pin male to female, straight pass-through

USB Cable (Included):

46 in (1,168 mm) A/B type USB cable

Dynamic Response:

Response time for stable weight:
0 to 1,000 d, 1,000 ms, maximum mean average
1,000 d +, 1,500 ms, maximum mean average

Overload Protection:

Corner and center overload protection

Annunciators:

Six: zero, gross/brutto, net, W1/W2/W3 multi-range

Display:

Large six-digit backlight LCD display with 1-inch (29 mm) Characters protected by heavy-duty tempered glass

Keys/Buttons:

Four: units, tare, on/off, F1
Minimum key press life of 500,000 cycles

Material:

Display: A BS plastic housing
Scale base: Powder coat painted mild steel base plate and load bridge.
Carbon steel ball with carbon steel zinc-plated housing. Stainless steel shroud.

Warranty:

Two-year limited

Approvals:

NTEP 17-002
Canada Weights and Measures: AM - 6050
CE Marked

BenchPro™ BP-SR

Shipping Bench Scale with Roller Conveyor

BENCH SCALES



Approvals



Measurement
Canada
Approved



Part Number/Price

| Part # | Platform Capacity | Dimensions | Est. Weight | Price |
|--------|------------------------------|------------|-------------|------------|
| 182996 | 150 × 0.05 lb (75 × 0.02 kg) | 12 × 16 in | 41 lb | \$1,290.00 |
| 182394 | 100 × 0.02 lb (50 × 0.01 kg) | 18 × 18 in | 77 lb | \$1,650.00 |
| 182381 | 150 × 0.05 lb (75 × 0.02 kg) | 18 × 18 in | 77 lb | \$1,650.00 |
| 182386 | 300 × 0.1 lb (150 × 0.05 kg) | 18 × 18 in | 77 lb | \$1,650.00 |
| 182398 | 300 × 0.1 lb (150 × 0.05 kg) | 20 × 20 in | 94 lb | \$1,769.00 |
| 182402 | 300 × 0.1 lb (150 × 0.05 kg) | 24 × 24 in | 131 lb | \$1,939.00 |

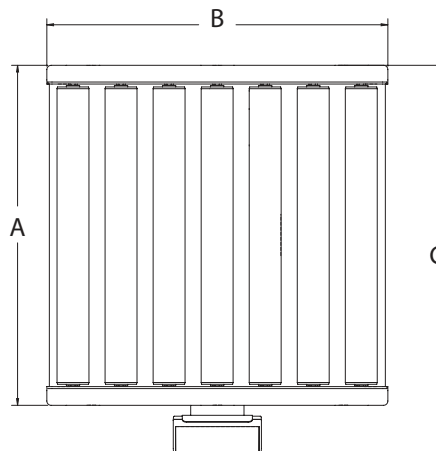
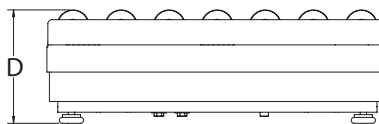
Options/Accessories

| Part # | Description | Est. Weight | Price |
|--------|--|-------------|----------|
| 180901 | Second customer display, BenchPro BP-SR no keyboard with 68 in cable | 4 lb | \$72.00 |
| 174784 | Second remote operator display, BenchPro BP-SR with 68 in cable | 4 lb | \$88.00 |
| 183103 | 16 in (H) tabletop display post for use with second display, customer or remote operator | 4 lb | \$215.00 |
| 178501 | USB RS-232 serial adapter | 1 lb | \$60.00 |

Dimensions

| | A | B | C | D |
|------------|----------|----------|----------|---------|
| 12 × 16 in | 12.00 in | 16.00 in | 15.30 in | 5.95 in |
| 18 × 18 in | 18.00 in | 18.00 in | 21.10 in | 6.50 in |
| 20 × 20 in | 20.00 in | 20.00 in | 23.10 in | 6.50 in |
| 24 × 24 in | 24.00 in | 24.00 in | 27.10 in | 6.50 in |

Note: 1 in = 25.4 mm



Standard Features

- Simple operation, easy to set up
- Large six-digit backlight LCD display with 1-inch (29-mm) characters protected by heavy-duty tempered glass
- Powered USB HID point of sale interface
- Nine-pin RS-232 interface for use with SMA and NCI protocols
- Gravitational compensation allows for adjustment of factory calibration to meet your local gravity setting, non-approved
- Compatible with FedEx Ship Manager® and UPS Worldship®

Specifications

Power:

In-line power supply (included)
Input: 100 to 240 VAC, +10% -15%, 3-wire w/ground
Terminated with standard USA 3-prong plug
Output: 12 V at 0.1 Amps DC minimum
Frequency: 50/60 Hz ± 3 Hz, standard
Approvals: UL, CE, EN, CUL

Excitation:

3.0 mV/V

Resolution:

Internal: 500,000 counts

USB HID:

USB 2.0 full speed; Vendor ID: 1C19;
Product ID: 0002

RS-232 Cable (Included):

10 ft DB 9-pin male to female, straight pass-through

USB Cable (Included):

46 in (1,168 mm) A/B type USB cable

Dynamic Response:

Response time for stable weight:
0 to 1,000 d, 1,000 ms, maximum mean average
1,000 d +, 1,500 ms, maximum mean average

Overload Protection:

Corner and center overload protection

Annunciators:

Six: zero, gross/brutto, net, W1/W2/W3 multi-range

Display:

Large six-digit backlight LCD display with 1-inch (29 mm) Characters protected by heavy-duty tempered glass

Keys/Buttons:

Four: units, tare, on/off, F1
Minimum key press life of 500,000 cycles

Material:

Display: ABS plastic housing
Scale base: Powder coat painted mild steel base plate and load bridge with stainless steel roller conveyor

Warranty:

Two-year limited

Approvals:

NTEP 17-002
Canada Weights and Measures: AM - 6050
CE Marked

BenchMark® MSC-10

Mobile Scale Cart

BENCH SCALES



Standard Features

- Two swivel, locking casters and two rigid casters
- Adjustable height with telescoping tube designed legs
- 18-inch indicator stand for mounting CW-90/90X, 480/480 Plus, 482/482 Plus, 680 Synergy, 380 Synergy

Specifications

Capacity:
1,000 lb (500 kg) maximum

Warranty:
One-year limited

Part Number/Price

| Part # | Description | Cart Dimensions (L × W × H) | Est. Weight | Price |
|------------------------|---|--|-------------|------------|
| Mild Steel | | | | |
| 190201 | Designed for 12 × 18 in Benchmark MS scale | 25 × 14 × 41.89 to 51.89 in (22.78 to 32.78 in*) | 70 lb | \$1,275.00 |
| 190202 | Designed for 18 × 18 in Benchmark MS scale | 25 × 20 × 41.89 to 51.89 in (22.78 to 32.78 in*) | 83 lb | \$1,305.00 |
| 190203 | Designed for 18 × 24 in Benchmark MS scale | 31 × 20 × 41.89 to 51.89 in (22.78 to 32.78 in*) | 93 lb | \$1,335.00 |
| 190204 | Designed for 24 × 24 in Benchmark MS scale | 31 × 26 × 41.89 to 51.89 in (22.78 to 32.78 in*) | 101 lb | \$1,365.00 |
| Stainless Steel | | | | |
| 190205 | Designed for 12 × 18 in Benchmark SS and Benchmark HE scale | 25 × 14 × 41.89 to 51.89 in (22.78 to 32.78 in*) | 70 lb | \$1,595.00 |
| 190206 | Designed for 18 × 18 in Benchmark SS and Benchmark HE scale | 25 × 20 × 41.89 to 51.89 in (22.78 to 32.78 in*) | 83 lb | \$1,640.00 |
| 190207 | Designed for 18 × 24 in Benchmark SS and Benchmark HE scale | 31 × 20 × 41.89 to 51.89 in (22.78 to 32.78 in*) | 93 lb | \$1,685.00 |
| 190209 | Designed for 24 × 24 in Benchmark SS and Benchmark HE scale | 31 × 26 × 41.89 to 51.89 in (22.78 to 32.78 in*) | 101 lb | \$1,730.00 |

*Height of cart without indicator stand

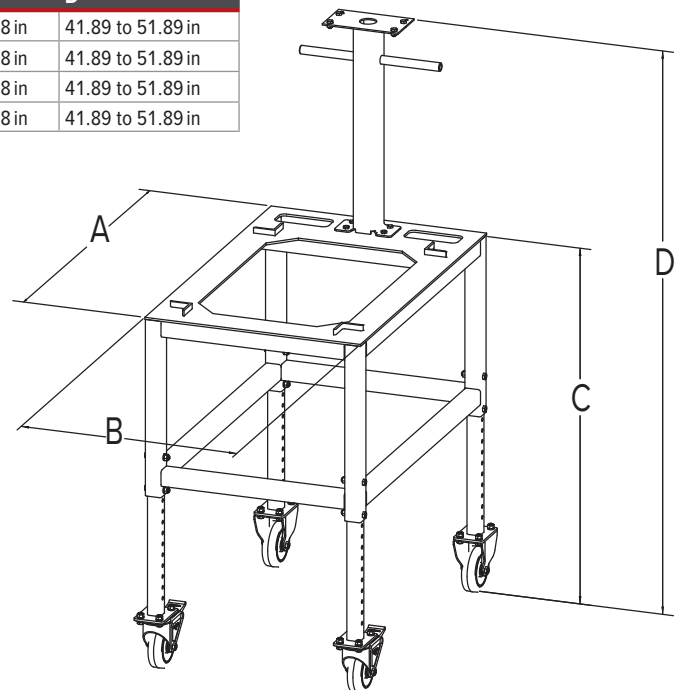
Wheels on standard carts are not conductive. If the end user plans to use the cart with an IS indicator, they will need a custom cart quoted with conductive wheels.

Cart not compatible with HE-X. See MSC-40.

Dimensions

| | A | B | C | D |
|-------------------------------|----------|----------|-------------------|-------------------|
| Designed for 12 × 18 in scale | 25.00 in | 14.00 in | 22.78 to 32.78 in | 41.89 to 51.89 in |
| Designed for 18 × 18 in scale | 25.00 in | 20.00 in | 22.78 to 32.78 in | 41.89 to 51.89 in |
| Designed for 18 × 24 in scale | 31.00 in | 20.00 in | 22.78 to 32.78 in | 41.89 to 51.89 in |
| Designed for 24 × 24 in scale | 31.00 in | 26.00 in | 22.78 to 32.78 in | 41.89 to 51.89 in |

Note: 1 in = 25.4 mm



BenchMark® MSC-20

Mobile Scale Cart

BENCH SCALES



Standard Features

- Two swivel, locking casters and two rigid casters
- Designed to easily transport counting scale and secondary scale

Specifications

Capacity:

Lower base frame: 1,000 lb (500 kg) maximum
Upper base frame: 50 lb (25 kg) maximum

Warranty:

One-year limited

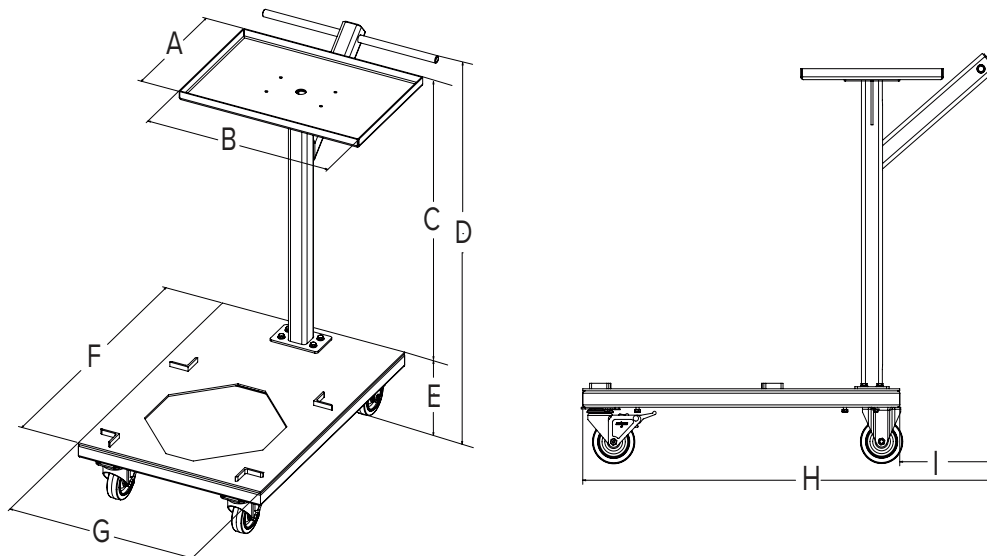
Part Number/Price

| Part # | Description | Est. Weight | Price |
|------------------------|---|-------------|------------|
| Mild Steel | | | |
| 197502 | Designed for 12 × 18 in Benchmark MS scale | 85 lb | \$1,360.00 |
| 197503 | Designed for 18 × 18 in Benchmark MS scale | 85 lb | \$1,380.00 |
| 197504 | Designed for 18 × 24 in Benchmark MS scale | 88 lb | \$1,405.00 |
| 197505 | Designed for 24 × 24 in Benchmark MS scale | 96 lb | \$1,425.00 |
| Stainless Steel | | | |
| 197506 | Designed for 12 × 18 in Benchmark SS and Benchmark HE scale | 90 lb | \$1,930.00 |
| 197507 | Designed for 18 × 18 in Benchmark SS and Benchmark HE scale | 90 lb | \$1,950.00 |
| 197508 | Designed for 18 × 24 in Benchmark SS and Benchmark HE scale | 93 lb | \$1,970.00 |
| 197509 | Designed for 24 × 24 in Benchmark SS and Benchmark HE scale | 101 lb | \$2,000.00 |

Dimensions

| | A | B | C | D | E | F | G | H | I |
|-------------------------------|----------|----------|----------|----------|---------|----------|----------|----------|---------|
| Designed for 12 × 18 in scale | 19.50 in | 13.25 in | 29.18 in | 36.00 in | 6.81 in | 30.00 in | 20.00 in | 39.00 in | 9.00 in |
| Designed for 18 × 18 in scale | 19.50 in | 13.25 in | 29.18 in | 36.00 in | 6.81 in | 30.00 in | 20.00 in | 39.00 in | 9.00 in |
| Designed for 18 × 24 in scale | 19.50 in | 13.25 in | 29.18 in | 36.00 in | 6.81 in | 35.00 in | 20.00 in | 44.00 in | 9.00 in |
| Designed for 24 × 24 in scale | 19.50 in | 13.25 in | 29.18 in | 36.00 in | 6.81 in | 35.00 in | 26.00 in | 44.00 in | 9.00 in |

Note: 1 in = 25.4 mm



BenchMark® MSC-30

Mobile Scale Cart

BENCH SCALES



Standard Features

- Two swivel, locking casters and two rigid casters
- Indicator stand for mounting CW-90/90X, 480/480Plus, 482/482Plus, 680 Synergy, 380 Synergy

Specifications

Capacity:
1,000 lb (500 kg) maximum

Warranty:
One-year limited

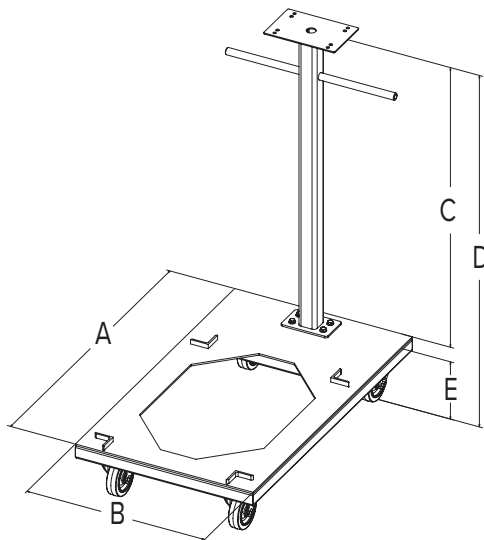
Part Number/Price

| Part # | Description | Est. Weight | Price |
|------------------------|--|-------------|------------|
| Mild Steel | | | |
| 197510 | Designed for 12 × 18 Benchmark MS scale | 67 lb | \$1,360.00 |
| 197511 | Designed for 18 × 18 Benchmark MS scale | 67 lb | \$1,380.00 |
| 197512 | Designed for 18 × 24 Benchmark MS scale | 70 lb | \$1,405.00 |
| 197513 | Designed for 24 × 24 Benchmark MS scale | 78 lb | \$1,425.00 |
| Stainless Steel | | | |
| 197514 | Designed for 12 × 18 Benchmark SS and Benchmark HE scale | 72 lb | \$1,930.00 |
| 197515 | Designed for 18 × 18 Benchmark SS and Benchmark HE scale | 72 lb | \$1,950.00 |
| 197516 | Designed for 18 × 24 Benchmark SS and Benchmark HE scale | 75 lb | \$1,970.00 |
| 197517 | Designed for 24 × 24 Benchmark SS and Benchmark HE scale | 83 lb | \$2,000.00 |

Dimensions

| | A | B | C | D | E |
|----------------------------|----------|----------|----------|----------|---------|
| Designed for 12 × 18 scale | 30.00 in | 20.00 in | 34.25 in | 41.00 in | 6.81 in |
| Designed for 18 × 18 scale | 30.00 in | 20.00 in | 34.25 in | 41.00 in | 6.81 in |
| Designed for 18 × 24 scale | 35.00 in | 20.00 in | 34.25 in | 41.00 in | 6.81 in |
| Designed for 24 × 24 scale | 35.00 in | 26.00 in | 34.25 in | 41.00 in | 6.81 in |

Note: 1 in = 25.4 mm



BenchMark[®] MSC-40

Mobile Scale Cart

BENCH SCALES



Standard Features

- Two swivel, locking casters and two rigid casters
- Rugged washdown design meets Sanitary Design Principles

Specifications

Capacity:
1,000 lb (500 kg) maximum

Warranty:
One-year limited

Part Number/Price

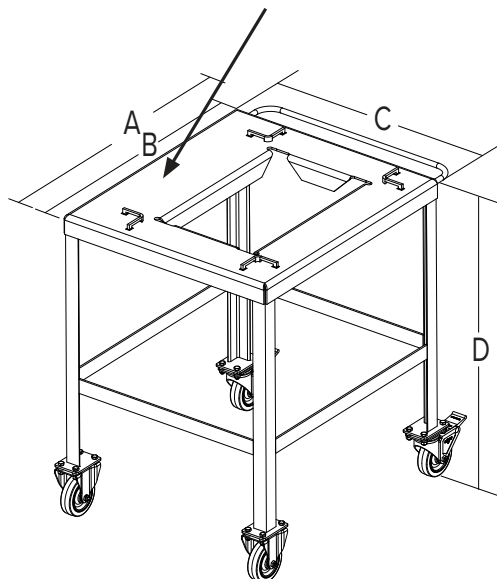
| Part # | Description | Est. Weight | Price |
|------------------------|--|-------------|------------|
| Stainless Steel | | | |
| 197518 | Designed for 12 × 18 in Benchmark HE-X scale | 62 lb | \$1,795.00 |
| 197519 | Designed for 18 × 18 in Benchmark HE-X scale | 62 lb | \$1,895.00 |
| 197520 | Designed for 18 × 24 in Benchmark HE-X scale | 69 lb | \$1,995.00 |
| 197521 | Designed for 24 × 24 in Benchmark HE-X scale | 79 lb | \$2,095.00 |

Dimensions

| | A | B | C | D |
|-------------------------------|----------|----------|----------|----------|
| Designed for 12 × 18 in scale | 24.75 in | 21.00 in | 17.88 in | 32.00 in |
| Designed for 18 × 18 in scale | 24.75 in | 21.00 in | 24.00 in | 32.00 in |
| Designed for 18 × 24 in scale | 30.75 in | 27.00 in | 24.00 in | 32.00 in |
| Designed for 24 × 24 in scale | 30.75 in | 27.00 in | 30.00 in | 32.00 in |

Note: 1 in = 25.4 mm

Note: This side of cart is larger to accommodate BenchMark HE-X with indicator column



Bench Scale Ball Transfer and Roller Conveyor

1. Rice Lake Weighing Systems model number or part number of bench scale _____
2. Dimensions of scale: _____ in L × _____ in W
3. Capacity of scale: _____ lb
4. Dimensions of the smallest box/container to be used with the scale: _____ in L × _____ in W

Ball Transfer

5. Construction of ball transfer
 - Steel ball, steel housing zinc finish
 - Stainless steel ball, steel housing zinc finish
 - Stainless steel ball, stainless steel housing
6. Center-to-center ball dimension, if known:



Ball Transfer with Shroud

5. Construction of ball transfer
 - Steel ball, steel housing zinc finish
 - Stainless steel ball, stainless steel housing
6. Center-to-center ball dimension, if known:



Roller Conveyor

8. Roller diameter, if known:
9. Center-to-center dimension, if known:
10. Construction of rollers
 - Plain steel
 - Galvanized steel
 - Aluminum
 - Stainless steel
7. Direction of roller conveyor, if platform is rectangular shaped (i.e., 18 × 24 in scale, please tell us if the rollers should be 18 in or 24 in long)



Bench Scale Columns

Part Number/Price

| Part # | Description | Price |
|--------|---|----------|
| 112044 | 12 in column for IQ plus® 210, CW-90, CW-90X, 480/482 Legend Series, 380 Synergy Series, 680 Synergy Series | \$145.00 |
| 112045 | 18 in column for IQ plus® 210, CW-90, CW-90X, 480/482 Legend Series, 380 Synergy Series, 680 Synergy Series | \$195.00 |
| 196363 | 12 in column for 882IS/882IS Plus with battery | \$225.00 |
| 196364 | 18 in column for 882IS/882IS Plus with battery | \$275.00 |
| 197482 | 12 in column for 882IS/882IS Plus with power supply (Note: Power supply does not mount to column) | \$165.00 |
| 197484 | 18 in column for 882IS/882IS Plus with power supply (Note: Power supply does not mount to column) | \$215.00 |
| 64576 | Attachment bracket for IQ plus® 210, CW-90, CW-90X, 480/482 Legend Series, 380 Synergy Series, 680 Synergy Series | \$100.00 |
| 216970 | 12 in column for 381 Synergy Indicator | \$145.00 |
| 216971 | 18 in column for 381 Synergy Indicator | \$195.00 |

Available for the BenchMark SL, BenchMark SL/HE, BenchMark Mild Steel, BenchMark Stainless Steel, BenchMark HE, BenchMark HE-X, CW-80B, CW-90B and CW90-XB



CW-90B with 480 indicator and 12in column



Base with 882IS/882IS Plus indicator with battery and 12in column



Attachment bracket with IQ Plus 2100



Base with 381 Synergy indicator and 12in column

Calibration Weights

Table of Contents

ASTM Precision

| | |
|--|-----|
| METRIC SINGLE WEIGHT WITH CASE (KITS) | |
| Range: 20 kg – 1 mg | 210 |
| METRIC SINGLE WEIGHTS | |
| Range: 20 kg – 1 mg | 211 |
| METRIC SINGLE WEIGHT WITH CASE (KITS) | |
| Range: 25 kg – 1 g | 212 |
| Range: 25 kg – 1 g | 213 |
| METRIC SINGLE WEIGHTS | |
| Range: 25 kg – 1 g | 214 |
| METRIC SINGLE WEIGHT WITH CASE (KITS) | |
| Range: 500 mg – 0.5 mg | 216 |
| METRIC SINGLE WEIGHTS | |
| Range: 500 mg – 1 mg | 217 |
| AVOIRDUPOIS SINGLE WEIGHT WITH CASE (KITS) | |
| Range: 30 lb – 1/16 oz | 218 |
| Range: 0.001 lb – 1/32 oz | 220 |
| AVOIRDUPOIS SINGLE WEIGHTS | |
| Range: 50 lb – 1/16 oz | 222 |
| Range: 0.001 lb – 1/32 oz | 224 |
| METRIC SETS | |
| Essential Weight Sets | 225 |
| Range: 500 mg | 226 |
| Range: 20 g | 228 |
| Range: 50 g | 230 |
| Range: 100 g | 232 |
| Range: 200 g | 234 |
| Range: 300 g and 500 g | 236 |
| Range: 1 kg | 238 |
| Range: 2 kg | 240 |
| Range: 3 kg and 5 kg | 242 |
| Range: 10 kg | 244 |
| Range: 20 kg and 25 kg | 246 |
| AVOIRDUPOIS SETS | |
| Range: 2 lb through 50 lb | 248 |
| OIML Precision | |
| METRIC SINGLE WEIGHT WITH CASE (KITS) | |
| Range: 20 kg – 1 g | 250 |
| Range: 500 mg – 1 mg | 251 |
| METRIC SINGLE WEIGHTS | |
| Range: 20 kg – 1 mg | 252 |

| | |
|----------------------|-----|
| METRIC SETS | |
| Range: 500 mg – 50 g | 253 |
| Range: 100 g | 254 |
| Range: 200 g | 256 |
| Range: 500 g | 258 |
| Range: 1 kg | 260 |
| Range: 2 kg | 262 |
| Range: 5 kg | 264 |
| Range: 10 kg | 266 |
| Range: 20 kg | 268 |

Balance Calibration

| | |
|---|-----|
| METRIC SINGLE WEIGHT WITH CASE (KIT) | |
| Range: 5 kg – 10 g | 270 |
| BALANCE CALIBRATION WEIGHTS / METRIC SINGLE WEIGHTS | |
| Range: 30 kg – 5 kg | 272 |
| Range: 5 kg – 10 g | 273 |
| AVOIRDUPOIS SINGLE WEIGHTS | |
| Range: 50 lb – 10 lb | 274 |
| Range: 10 lb – 0.05 lb | 275 |
| AVOIRDUPOIS SINGLE WEIGHT WITH CASE (KIT) | |
| Range: 10 lb – 0.05 lb | 276 |

Stainless Field

| | |
|----------------------------|-----|
| METRIC SINGLE WEIGHTS | |
| Range: 30 kg – 1 mg | 278 |
| AVOIRDUPOIS SINGLE WEIGHTS | |
| Range: 50 lb – 10 lb | 279 |
| Range: 10 lb – 0.001 lb | 280 |
| METRIC SETS | |
| Range: 5 g and 50 g | 281 |
| Range: 100 g | 282 |
| Range: 500 g | 283 |
| Range: 1 kg | 284 |
| Range: 2 kg | 285 |
| Range: 5 kg | 286 |

AVOIRDUPOIS SET

| | |
|--------------|-----|
| Range: 4 oz | 287 |
| Range: 1 lb | 288 |
| Range: 2 lb | 289 |
| Range: 5 lb | 290 |
| Range: 10 lb | 292 |

Cast Iron Field

| | |
|--|-----|
| AVOIRDUPOIS GRIP-HANDLE AND NESTING SLAB | |
| Range: 3,000 lb – 1 lb | 294 |

| | |
|--|-----|
| METRIC GRIP-HANDLE | |
| Range: 1,000 kg – 500 g | 295 |
| AVOIRDUPOIS AND METRIC SLOTTED INTERLOCKING AND HANGER | |
| Range: 100 lb – 200 g | 296 |
| AVOIRDUPOIS AND METRIC COUNTERPOISE AND HANGER WEIGHTS | |
| Range: 200 kg – 7 oz | 297 |
| AVOIRDUPOIS COUNTERPOISE AND HANGER | |
| Range: 500 lb – 7 oz | 298 |

Specialty

| | |
|--|-----|
| METRIC CUBE AND RING WEIGHTS; AVOIRDUPOIS RING WEIGHTS | |
| Range: 5 lb – 25 g | 300 |
| TROY OUNCE CYLINDRICAL AND LEAF WEIGHTS | |
| Range: 500 oz t – 0.005 oz t | 301 |
| PENNYWEIGHT CYLINDRICAL AND LEAF, AND GRAIN WEIGHTS | |
| Range: 20 dwt – 20 gr | 302 |
| AVOIRDUPOIS AND METRIC CUBE WEIGHT SETS | |
| Range: 1 kg – 1 mg | 303 |
| AVOIRDUPOIS AND METRIC SINGLE HOOK WEIGHTS | |
| Range: 25 kg – 1/32 oz | 304 |
| AVOIRDUPOIS AND METRIC SINGLE HANGERS/SLOTTED WEIGHTS | |
| Range: 5 lb – 100 g | 305 |
| LIFT TRUCK WEIGHTS AND CLEAN ROOM CART | |
| Range: 50 kg – 2,000 lb | 306 |
| Accessories | |
| Cases | 308 |
| Sealing Plugs | 310 |
| Canvas Dust Covers | 310 |
| Gloves | 310 |
| Transfer Equipment | 311 |
| Transfer Cart | 311 |
| Touch-Up Paint | 311 |

CALIBRATION WEIGHTS
ASTM PRECISION

MASS REFERENCE STANDARDS / METRIC SINGLE WEIGHT WITH CASE (KITS)

Range: 20 kg – 1 mg

Class 0

Cylindrical

Statement of Accuracy is not available.

Class 0 enclosed in case per requirements.

Certificate

| Nominal Value | Kit Part # | Price |
|---------------|--------------|------------|
| 20 kg | 45856 | \$4,675.00 |
| 10 kg | 45857 | \$3,075.00 |
| 5 kg | 45858 | \$2,210.00 |
| 3 kg | 45859 | \$1,940.00 |
| 2 kg | 45860 | \$1,600.00 |
| 1 kg | 45861 | \$1,180.00 |
| 500 g | 45862 | \$720.00 |
| 300 g | 45863 | \$680.00 |
| 200 g | 45864 | \$630.00 |
| 100 g | 45865 | \$525.00 |
| 50 g | 45866 | \$495.00 |
| 30 g | 45867 | \$480.00 |
| 20 g | 45868 | \$480.00 |
| 10 g | 45869 | \$480.00 |
| 5 g | 45870 | \$415.00 |
| 3 g | 45871 | \$415.00 |
| 2 g | 45872 | \$415.00 |
| 1 g | 45873 | \$415.00 |

| Accredited |
|------------|
| Included |
| Included |
| Included |
| Included |
| Included |
| Included |
| Included |
| Included |
| Included |
| Included |
| Included |
| Included |
| Included |
| Included |
| Included |
| Included |
| Included |
| Included |
| Included |
| Included |



Kits Include a Single Weight with Case and Glove

CALIBRATION WEIGHTS
ASTM PRECISION

Class 0

Leaf (Milligram)

Statement of Accuracy is not available.

Class 0 enclosed in vial per requirements.

Certificate

| Nominal Value | Kit Part # | Price |
|---------------|--------------|----------|
| 500 mg | 45874 | \$325.00 |
| 300 mg | 45875 | \$325.00 |
| 200 mg | 45876 | \$325.00 |
| 100 mg | 45877 | \$325.00 |
| 50 mg | 45878 | \$325.00 |
| 30 mg | 45879 | \$325.00 |
| 20 mg | 45880 | \$325.00 |
| 10 mg | 45881 | \$325.00 |
| 5 mg | 45882 | \$325.00 |
| 3 mg | 45883 | \$325.00 |
| 2 mg | 45884 | \$325.00 |
| 1 mg | 45885 | \$325.00 |

| Accredited |
|------------|
| Included |
| Included |
| Included |
| Included |
| Included |
| Included |
| Included |
| Included |
| Included |
| Included |
| Included |
| Included |
| Included |
| Included |
| Included |
| Included |
| Included |
| Included |
| Included |
| Included |



Replacement Cases

| Main Cases | | |
|---------------|----------------|---------|
| Class 0 | | |
| Nominal Value | Part # | Price |
| 25 kg - 1 mg | Consult | Consult |

Accessories

| Description | Part # | Price |
|-------------------------------|---------------|---------|
| Tweezer | 11711 | \$5.25 |
| Premium tweezer | 152414 | \$45.50 |
| Weight glove, white cotton | 11714 | \$7.25 |
| Leaf weight cover | 11755 | \$45.50 |
| Lifter bar | 11747 | \$22.25 |
| Lifter bar with larger handle | 11712 | \$77.00 |
| Weight forceps | 50035 | \$45.50 |
| Tong assembly | 50000 | \$78.00 |

MASS REFERENCE STANDARDS / METRIC SINGLE WEIGHTS

Range: 20 kg – 1 mg

Class 0

Cylindrical

Statement of Accuracy is not available.

Class 0 enclosed in case per requirements.

| Nominal Value | Part # | Price |
|---------------|--------------|------------|
| 20 kg | 46097 | \$4,600.00 |
| 10 kg | 46096 | \$3,000.00 |
| 5 kg | 46095 | \$2,140.00 |
| 3 kg | 46094 | \$1,920.00 |
| 2 kg | 46093 | \$1,570.00 |
| 1 kg | 46092 | \$1,160.00 |
| 500 g | 46091 | \$695.00 |
| 300 g | 46090 | \$660.00 |
| 200 g | 46089 | \$610.00 |
| 100 g | 46088 | \$510.00 |
| 50 g | 46087 | \$460.00 |
| 30 g | 46086 | \$460.00 |
| 20 g | 46085 | \$460.00 |
| 10 g | 46084 | \$460.00 |
| 5 g | 46083 | \$395.00 |
| 3 g | 46082 | \$395.00 |
| 2 g | 46081 | \$395.00 |
| 1 g | 46080 | \$395.00 |

Certificate

| Accredited |
|------------|
| Included |
| Included |
| Included |
| Included |
| Included |
| Included |
| Included |
| Included |
| Included |
| Included |
| Included |
| Included |
| Included |
| Included |
| Included |
| Included |
| Included |
| Included |
| Included |



Cylindrical Weight

CALIBRATION WEIGHTS
ASTM PRECISION

Class 0

Leaf (Milligram)

Statement of Accuracy is not available, and weight requires a case for shipping.

For special kits, single weights must ship in a case.

Single leaf weights must ship in a vial.

| Nominal Value | Part # | Price |
|---------------|--------------|----------|
| 500 mg | 46079 | \$315.00 |
| 300 mg | 46078 | \$315.00 |
| 200 mg | 46077 | \$315.00 |
| 100 mg | 46076 | \$315.00 |
| 50 mg | 46075 | \$315.00 |
| 30 mg | 46074 | \$315.00 |
| 20 mg | 46073 | \$315.00 |
| 10 mg | 46072 | \$315.00 |
| 5 mg | 46071 | \$315.00 |
| 3 mg | 46070 | \$315.00 |
| 2 mg | 46069 | \$315.00 |
| 1 mg | 46068 | \$315.00 |

Certificate

| Accredited |
|------------|
| Included |
| Included |
| Included |
| Included |
| Included |
| Included |
| Included |
| Included |
| Included |
| Included |
| Included |
| Included |
| Included |
| Included |
| Included |
| Included |
| Included |
| Included |
| Included |



Replacement Cases

| Main Cases | | |
|---------------|----------------|---------|
| Class 0 | | |
| Nominal Value | Part # | Price |
| 25 kg - 1 mg | Consult | Consult |

Accessories

| Description | Part # | Price |
|-------------------------------|---------------|---------|
| Tweezer | 11711 | \$5.25 |
| Premium tweezer | 152414 | \$45.50 |
| Weight glove, white cotton | 11714 | \$7.25 |
| Leaf weight cover | 11755 | \$45.50 |
| Lifter bar | 11747 | \$22.25 |
| Lifter bar with larger handle | 11712 | \$77.00 |
| Weight forceps | 50035 | \$45.50 |
| Tong assembly | 50000 | \$78.00 |

MASS REFERENCE STANDARDS / METRIC SINGLE WEIGHT WITH CASE (KITS)

Range: 25 kg – 1g

CALIBRATION WEIGHTS
ASTM PRECISION

Class 1

Class 1 enclosed in vial/case per requirements.

| Nominal Value | Kit Part # | Price |
|---------------|--------------|------------|
| 25 kg | Consult | Consult |
| 20 kg | 82590 | \$4,175.00 |
| 10 kg | 82591 | \$2,370.00 |
| 5 kg | 82592 | \$1,360.00 |
| 3 kg | 82593 | \$1,090.00 |
| 2 kg | 82594 | \$880.00 |
| 1kg | 82595 | \$615.00 |
| 500 g | 82596 | \$265.00 |
| 300 g | 82597 | \$205.00 |
| 200 g | 82598 | \$195.00 |
| 100g | 82599 | \$140.00 |
| 50 g | 82600 | \$135.00 |
| 30 g | 82601 | \$130.00 |
| 20 g | 82602 | \$125.00 |
| 10g | 82603 | \$125.00 |
| 5g | 82604 | \$125.00 |
| 3g | 82605 | \$105.00 |
| 2g | 82606 | \$105.00 |
| 1g | 82607 | \$90.00 |

Optional Certificate

| Accredited | Non-Accredited |
|------------|----------------|
| Consult | Consult |
| \$145.00 | \$80.00 |
| \$145.00 | \$80.00 |
| \$145.00 | \$80.00 |
| \$145.00 | \$80.00 |
| \$145.00 | \$80.00 |
| \$125.00 | \$60.00 |
| \$125.00 | \$60.00 |
| \$125.00 | \$60.00 |
| \$125.00 | \$60.00 |
| \$55.00 | \$45.00 |
| \$55.00 | \$45.00 |
| \$55.00 | \$45.00 |
| \$55.00 | \$45.00 |
| \$55.00 | \$45.00 |
| \$55.00 | \$45.00 |
| \$55.00 | \$45.00 |
| \$55.00 | \$45.00 |
| \$55.00 | \$45.00 |
| \$55.00 | \$45.00 |
| \$55.00 | \$45.00 |

Class 3

Class 3 enclosed in vial/case per requirements.

| Nominal Value | Kit Part # | Price |
|---------------|--------------|------------|
| 25 kg | Consult | Consult |
| 20 kg | 82674 | \$2,800.00 |
| 10 kg | 82675 | \$2,080.00 |
| 5 kg | 82676 | \$1,320.00 |
| 3 kg | 82677 | \$1,010.00 |
| 2 kg | 82678 | \$795.00 |
| 1kg | 82679 | \$520.00 |
| 500 g | 82680 | \$250.00 |
| 300 g | 82681 | \$185.00 |
| 200 g | 82682 | \$175.00 |
| 100 g | 82683 | \$135.00 |
| 50 g | 82684 | \$125.00 |
| 30 g | 82685 | \$120.00 |
| 20 g | 82686 | \$105.00 |
| 10g | 82687 | \$105.00 |
| 5g | 82688 | \$77.00 |
| 3g | 82689 | \$77.00 |
| 2g | 82690 | \$77.00 |
| 1g | 82691 | \$77.00 |

Optional Certificate

| Accredited | Non-Accredited |
|------------|----------------|
| Consult | Consult |
| \$145.00 | \$80.00 |
| \$145.00 | \$80.00 |
| \$145.00 | \$80.00 |
| \$145.00 | \$80.00 |
| \$145.00 | \$80.00 |
| \$125.00 | \$60.00 |
| \$125.00 | \$60.00 |
| \$125.00 | \$60.00 |
| \$125.00 | \$60.00 |
| \$55.00 | \$45.00 |
| \$55.00 | \$45.00 |
| \$55.00 | \$45.00 |
| \$55.00 | \$45.00 |
| \$55.00 | \$45.00 |
| \$55.00 | \$45.00 |
| \$55.00 | \$45.00 |
| \$55.00 | \$45.00 |
| \$55.00 | \$45.00 |
| \$55.00 | \$45.00 |
| \$55.00 | \$45.00 |

Class 2

Class 2 enclosed in vial/case per requirements.

| Nominal Value | Kit Part # | Price |
|---------------|--------------|------------|
| 25 kg | Consult | Consult |
| 20 kg | 82632 | \$2,825.00 |
| 10 kg | 82633 | \$2,270.00 |
| 5 kg | 82634 | \$1,320.00 |
| 3 kg | 82635 | \$1,040.00 |
| 2 kg | 82636 | \$810.00 |
| 1kg | 82637 | \$535.00 |
| 500 g | 82638 | \$265.00 |
| 300 g | 82639 | \$195.00 |
| 200 g | 82640 | \$185.00 |
| 100g | 82641 | \$140.00 |
| 50 g | 82642 | \$130.00 |
| 30 g | 82643 | \$120.00 |
| 20 g | 82644 | \$105.00 |
| 10g | 82645 | \$105.00 |
| 5g | 82646 | \$90.00 |
| 3g | 82647 | \$90.00 |
| 2g | 82648 | \$90.00 |
| 1g | 82649 | \$90.00 |

Optional Certificate

| Accredited | Non-Accredited |
|------------|----------------|
| Consult | Consult |
| \$145.00 | \$80.00 |
| \$145.00 | \$80.00 |
| \$145.00 | \$80.00 |
| \$145.00 | \$80.00 |
| \$145.00 | \$80.00 |
| \$125.00 | \$60.00 |
| \$125.00 | \$60.00 |
| \$125.00 | \$60.00 |
| \$125.00 | \$60.00 |
| \$55.00 | \$45.00 |
| \$55.00 | \$45.00 |
| \$55.00 | \$45.00 |
| \$55.00 | \$45.00 |
| \$55.00 | \$45.00 |
| \$55.00 | \$45.00 |
| \$55.00 | \$45.00 |
| \$55.00 | \$45.00 |
| \$55.00 | \$45.00 |
| \$55.00 | \$45.00 |
| \$55.00 | \$45.00 |



Kits Include a Single Weight with Case and Glove

Replacement Cases

| Main Cases | | |
|------------------|---------------|----------|
| Class 1, 2 and 3 | | |
| Nominal Value | Part # | Price |
| 25 kg | Consult | Consult |
| 20 kg | 80703 | \$265.00 |
| 10 kg | 80704 | \$265.00 |
| 5 kg | 80705 | \$195.00 |
| 3 kg | 190274 | \$40.50 |
| 2 kg | 190271 | \$40.50 |
| 1kg | 190264 | \$40.50 |
| 500 g | 189715 | \$40.50 |
| 300 g | 196467 | \$39.50 |
| 200 g | 189637 | \$40.50 |

| Main Cases | | |
|------------------|---------------|---------|
| Class 1, 2 and 3 | | |
| Nominal Value | Part # | Price |
| 100 g | 189570 | \$44.50 |
| 50 g | 189509 | \$44.50 |
| 30 g | 189486 | \$44.50 |
| 20 g | 189484 | \$44.50 |
| 10g | 189461 | \$44.50 |
| 5g | 189349 | \$44.50 |
| 3g | 194033 | \$42.00 |
| 2g | 189237 | \$44.50 |
| 1g | 198502 | \$42.00 |

Accessories

| Description | Part # | Price |
|-------------------------------|---------------|---------|
| Statement of Accuracy | 36092 | \$47.50 |
| Serial number | 25836 | \$17.00 |
| Tweezer | 11711 | \$5.25 |
| Premium tweezer | 152414 | \$45.50 |
| Weight glove, white cotton | 11714 | \$7.25 |
| Leaf weight cover | 11755 | \$45.50 |
| Lifter bar | 11747 | \$22.25 |
| Lifter bar with larger handle | 11712 | \$77.00 |

MASS REFERENCE STANDARDS / METRIC SINGLE WEIGHT WITH CASE (KITS)

Range: 25 kg – 1g

Class 4

| Nominal Value | Kit Part # | Price | Optional Certificate Accredited |
|---------------|--------------|------------|---------------------------------|
| 25 kg | Consult | Consult | Consult |
| 20 kg | 82716 | \$2,575.00 | \$75.00 |
| 10 kg | 82717 | \$1,870.00 | \$75.00 |
| 5 kg | 82718 | \$1,300.00 | \$75.00 |
| 3 kg | 82719 | \$935.00 | \$75.00 |
| 2 kg | 82720 | \$765.00 | \$75.00 |
| 1kg | 82721 | \$505.00 | \$55.00 |
| 500 g | 82722 | \$245.00 | \$55.00 |
| 300 g | 82723 | \$175.00 | \$55.00 |
| 200 g | 82724 | \$150.00 | \$55.00 |
| 100 g | 82725 | \$105.00 | \$40.00 |
| 50 g | 82726 | \$105.00 | \$40.00 |
| 30 g | 82727 | \$90.00 | \$40.00 |
| 20 g | 82728 | \$90.00 | \$40.00 |
| 10 g | 82729 | \$83.00 | \$40.00 |
| 5 g | 82730 | \$66.00 | \$40.00 |
| 3 g | 82731 | \$66.00 | \$40.00 |
| 2 g | 82732 | \$66.00 | \$40.00 |
| 1g | 82733 | \$66.00 | \$40.00 |

CALIBRATION WEIGHTS
ASTM PRECISION



Kits include a Single Weight with Case and Glove

Replacement Cases

| Main Cases | | |
|---------------|---------------|----------|
| Class 4 | | |
| Nominal Value | Part # | Price |
| 25 kg | Consult | Consult |
| 20 kg | 80703 | \$265.00 |
| 10 kg | 80704 | \$265.00 |
| 5 kg | 80705 | \$195.00 |
| 3 kg | 190274 | \$40.50 |
| 2 kg | 190271 | \$40.50 |
| 1kg | 190264 | \$40.50 |
| 500 g | 189715 | \$40.50 |
| 300 g | 196467 | \$39.50 |
| 200 g | 189637 | \$40.50 |
| 100 g | 189570 | \$44.50 |

| Main Cases | | |
|---------------|---------------|---------|
| Class 4 | | |
| Nominal Value | Part # | Price |
| 50 g | 189509 | \$44.50 |
| 30 g | 189486 | \$44.50 |
| 20 g | 189484 | \$44.50 |
| 10 g | 189461 | \$44.50 |
| 5 g | 189349 | \$44.50 |
| 3 g | 194033 | \$42.00 |
| 2 g | 189237 | \$44.50 |
| 1g | 198502 | \$42.00 |

Accessories

| Description | Part # | Price |
|-------------------------------|---------------|---------|
| Statement of Accuracy | 36092 | \$47.50 |
| Serial number | 25836 | \$17.00 |
| Tweezer | 11711 | \$5.25 |
| Premium tweezer | 152414 | \$45.50 |
| Weight glove, white cotton | 11714 | \$7.25 |
| Leaf weight cover | 11755 | \$45.50 |
| Lifter bar | 11747 | \$22.25 |
| Lifter bar with larger handle | 11712 | \$77.00 |

MASS REFERENCE STANDARDS / METRIC SINGLE WEIGHTS

Range: 25 kg – 1g

**CALIBRATION WEIGHTS
ASTM PRECISION**

| Class 1 | | | Optional Certificate | | Class 3 | | | Optional Certificate | |
|---------------|--------------|------------|----------------------|----------------|---------------|--------------|------------|----------------------|----------------|
| Nominal Value | Part # | Price | Accredited | Non-Accredited | Nominal Value | Part # | Price | Accredited | Non-Accredited |
| 25 kg | 11876 | \$4,925.00 | \$145.00 | \$80.00 | 25 kg | 12272 | \$4,525.00 | \$145.00 | \$80.00 |
| 20 kg | 11875 | \$4,025.00 | \$145.00 | \$80.00 | 20 kg | 12271 | \$2,625.00 | \$145.00 | \$80.00 |
| 10 kg | 11874 | \$2,240.00 | \$145.00 | \$80.00 | 10 kg | 12270 | \$1,940.00 | \$145.00 | \$80.00 |
| 5 kg | 11872 | \$1,230.00 | \$145.00 | \$80.00 | 5 kg | 12269 | \$1,220.00 | \$145.00 | \$80.00 |
| 3 kg | 11871 | \$1,050.00 | \$145.00 | \$80.00 | 3 kg | 12268 | \$975.00 | \$145.00 | \$80.00 |
| 2 kg | 11870 | \$830.00 | \$145.00 | \$80.00 | 2 kg | 12267 | \$770.00 | \$145.00 | \$80.00 |
| 1 kg | 11869 | \$580.00 | \$125.00 | \$60.00 | 1 kg | 12266 | \$505.00 | \$125.00 | \$60.00 |
| 500 g | 11867 | \$245.00 | \$125.00 | \$60.00 | 500 g | 12265 | \$235.00 | \$125.00 | \$60.00 |
| 300 g | 11866 | \$185.00 | \$125.00 | \$60.00 | 300 g | 12264 | \$165.00 | \$125.00 | \$60.00 |
| 200 g | 11865 | \$170.00 | \$125.00 | \$60.00 | 200 g | 12263 | \$160.00 | \$125.00 | \$60.00 |
| 100 g | 11864 | \$130.00 | \$55.00 | \$45.00 | 100 g | 12262 | \$120.00 | \$55.00 | \$45.00 |
| 50 g | 11862 | \$125.00 | \$55.00 | \$45.00 | 50 g | 12261 | \$90.00 | \$55.00 | \$45.00 |
| 30 g | 11861 | \$115.00 | \$55.00 | \$45.00 | 30 g | 12260 | \$90.00 | \$55.00 | \$45.00 |
| 20 g | 11860 | \$115.00 | \$55.00 | \$45.00 | 20 g | 12259 | \$90.00 | \$55.00 | \$45.00 |
| 10 g | 11859 | \$105.00 | \$55.00 | \$45.00 | 10 g | 12258 | \$90.00 | \$55.00 | \$45.00 |
| 5 g | 11857 | \$98.00 | \$55.00 | \$45.00 | 5 g | 12257 | \$68.00 | \$55.00 | \$45.00 |
| 3 g | 11856 | \$83.00 | \$55.00 | \$45.00 | 3 g | 12256 | \$68.00 | \$55.00 | \$45.00 |
| 2 g | 11855 | \$83.00 | \$55.00 | \$45.00 | 2 g | 12255 | \$68.00 | \$55.00 | \$45.00 |
| 1 g | 11854 | \$77.00 | \$55.00 | \$45.00 | 1 g | 12254 | \$68.00 | \$55.00 | \$45.00 |

| Class 2 | | | Optional Certificate | |
|---------------|--------------|------------|----------------------|----------------|
| Nominal Value | Part # | Price | Accredited | Non-Accredited |
| 25 kg | 12131 | \$4,600.00 | \$145.00 | \$80.00 |
| 20 kg | 12130 | \$2,675.00 | \$145.00 | \$80.00 |
| 10 kg | 12129 | \$2,080.00 | \$145.00 | \$80.00 |
| 5 kg | 12127 | \$1,220.00 | \$145.00 | \$80.00 |
| 3 kg | 12126 | \$1,010.00 | \$145.00 | \$80.00 |
| 2 kg | 12125 | \$785.00 | \$145.00 | \$80.00 |
| 1 kg | 12124 | \$520.00 | \$125.00 | \$60.00 |
| 500 g | 12122 | \$240.00 | \$125.00 | \$60.00 |
| 300 g | 12121 | \$175.00 | \$125.00 | \$60.00 |
| 200 g | 12120 | \$165.00 | \$125.00 | \$60.00 |
| 100 g | 12119 | \$125.00 | \$55.00 | \$45.00 |
| 50 g | 12117 | \$98.00 | \$55.00 | \$45.00 |
| 30 g | 12116 | \$96.00 | \$55.00 | \$45.00 |
| 20 g | 12115 | \$96.00 | \$55.00 | \$45.00 |
| 10 g | 12114 | \$96.00 | \$55.00 | \$45.00 |
| 5 g | 12112 | \$72.00 | \$55.00 | \$45.00 |
| 3 g | 12111 | \$72.00 | \$55.00 | \$45.00 |
| 2 g | 12110 | \$72.00 | \$55.00 | \$45.00 |
| 1 g | 12109 | \$72.00 | \$55.00 | \$45.00 |

Replacement Cases

| Main Cases | | |
|------------------|---------------|----------|
| Class 1, 2 and 3 | | |
| Nominal Value | Part # | Price |
| 25 kg | Consult | Consult |
| 20 kg | 80703 | \$265.00 |
| 10 kg | 80704 | \$265.00 |
| 5 kg | 80705 | \$195.00 |
| 3 kg | 190274 | \$40.50 |
| 2 kg | 190271 | \$40.50 |
| 1 kg | 190264 | \$40.50 |
| 500 g | 189715 | \$40.50 |
| 300 g | 196467 | \$39.50 |
| 200 g | 189637 | \$40.50 |

| Main Cases | | |
|------------------|---------------|---------|
| Class 1, 2 and 3 | | |
| Nominal Value | Part # | Price |
| 100 g | 189570 | \$44.50 |
| 50 g | 189509 | \$44.50 |
| 30 g | 189486 | \$44.50 |
| 20 g | 189484 | \$44.50 |
| 10 g | 189461 | \$44.50 |
| 5 g | 189349 | \$44.50 |
| 3 g | 194033 | \$42.00 |
| 2 g | 189237 | \$44.50 |
| 1 g | 198502 | \$42.00 |

Accessories

| Description | Part # | Price |
|-------------------------------|---------------|---------|
| Statement of Accuracy | 36092 | \$47.50 |
| Serial number | 25836 | \$17.00 |
| Tweezer | 11711 | \$5.25 |
| Premium tweezer | 152414 | \$45.50 |
| Weight glove, white cotton | 11714 | \$7.25 |
| Leaf weight cover | 11755 | \$45.50 |
| Lifter bar | 11747 | \$22.25 |
| Lifter bar with larger handle | 11712 | \$77.00 |

MASS REFERENCE STANDARDS / METRIC SINGLE WEIGHTS

Range: 25 kg – 1g

Class 4

For special kits, single weights must ship in a case.

| Nominal Value | Part # | Price |
|---------------|--------------|------------|
| 25 kg | 12375 | \$4,450.00 |
| 20 kg | 12374 | \$2,450.00 |
| 10 kg | 12373 | \$1,730.00 |
| 5 kg | 12372 | \$1,160.00 |
| 3 kg | 12371 | \$905.00 |
| 2 kg | 12370 | \$735.00 |
| 1 kg | 12369 | \$480.00 |
| 500 g | 12368 | \$230.00 |
| 300 g | 12367 | \$160.00 |
| 200 g | 12366 | \$140.00 |
| 100 g | 12365 | \$98.00 |
| 50 g | 12364 | \$79.00 |
| 30 g | 12363 | \$72.00 |
| 20 g | 12362 | \$72.00 |
| 10 g | 12361 | \$72.00 |
| 5 g | 12360 | \$51.00 |
| 3 g | 12359 | \$51.00 |
| 2 g | 12358 | \$51.00 |
| 1g | 12357 | \$51.00 |

Optional Certificate

| Accredited |
|------------|
| Consult |
| \$75.00 |
| \$75.00 |
| \$75.00 |
| \$75.00 |
| \$75.00 |
| \$55.00 |
| \$55.00 |
| \$55.00 |
| \$40.00 |
| \$40.00 |
| \$40.00 |
| \$40.00 |
| \$40.00 |
| \$40.00 |
| \$40.00 |
| \$40.00 |
| \$40.00 |
| \$40.00 |
| \$40.00 |

**CALIBRATION WEIGHTS
ASTM PRECISION**



Replacement Cases

| Main Cases | | |
|---------------|---------------|----------|
| Class 4 | | |
| Nominal Value | Part # | Price |
| 25 kg | Consult | Consult |
| 20 kg | 80703 | \$265.00 |
| 10 kg | 80704 | \$265.00 |
| 5 kg | 80705 | \$195.00 |
| 3 kg | 190274 | \$40.50 |
| 2 kg | 190271 | \$40.50 |
| 1 kg | 190264 | \$40.50 |
| 500 g | 189715 | \$40.50 |
| 300 g | 196467 | \$39.50 |
| 200 g | 189637 | \$40.50 |

| Main Cases | | |
|---------------|---------------|---------|
| Class 4 | | |
| Nominal Value | Part # | Price |
| 100 g | 189570 | \$44.50 |
| 50 g | 189509 | \$44.50 |
| 30 g | 189484 | \$44.50 |
| 20 g | 189484 | \$44.50 |
| 10 g | 189461 | \$44.50 |
| 5 g | 189349 | \$44.50 |
| 3 g | 194033 | \$42.00 |
| 2 g | 189237 | \$44.50 |
| 1g | 198502 | \$42.00 |

Accessories

| Description | Part # | Price |
|-------------------------------|---------------|---------|
| Statement of Accuracy | 36092 | \$47.50 |
| Serial number | 25836 | \$17.00 |
| Tweezer | 11711 | \$5.25 |
| Premium tweezer | 152414 | \$45.50 |
| Weight glove, white cotton | 11714 | \$7.25 |
| Leaf weight cover | 11755 | \$45.50 |
| Lifter bar | 11747 | \$22.25 |
| Lifter bar with larger handle | 11712 | \$77.00 |

MASS REFERENCE STANDARDS / METRIC SINGLE WEIGHT WITH CASE (KITS)

Range: 500 mg – 0.5 mg

**CALIBRATION WEIGHTS
ASTM PRECISION**

Class 1

Enclosed in vial/case per requirements.

| Nominal Value | Kit Part # | Price |
|---------------|--------------|---------|
| 500 mg | 80458 | \$77.00 |
| 300 mg | 80459 | \$77.00 |
| 200 mg | 80460 | \$77.00 |
| 100 mg | 80461 | \$77.00 |
| 50 mg | 80462 | \$77.00 |
| 30 mg | 80463 | \$77.00 |
| 20 mg | 80464 | \$77.00 |
| 10 mg | 80465 | \$77.00 |
| 5 mg | 80466 | \$77.00 |
| 3 mg | 80467 | \$77.00 |
| 2 mg | 80468 | \$77.00 |
| 1 mg | 80469 | \$77.00 |
| 0.5 mg* | 36076 | \$77.00 |

Optional Certificate

| Accredited | Non-Accredited |
|------------|----------------|
| \$55.00 | \$45.00 |
| \$55.00 | \$45.00 |
| \$55.00 | \$45.00 |
| \$55.00 | \$45.00 |
| \$55.00 | \$45.00 |
| \$55.00 | \$45.00 |
| \$55.00 | \$45.00 |
| \$55.00 | \$45.00 |
| \$55.00 | \$45.00 |
| \$55.00 | \$45.00 |
| \$55.00 | \$45.00 |
| \$55.00 | \$45.00 |
| \$55.00 | \$45.00 |

Class 3

Enclosed in vial/case per requirements.

| Nominal Value | Kit Part # | Price |
|---------------|--------------|---------|
| 500 mg | 80482 | \$45.50 |
| 300 mg | 80483 | \$45.50 |
| 200 mg | 80484 | \$45.50 |
| 100 mg | 80485 | \$45.50 |
| 50 mg | 80486 | \$45.50 |
| 30 mg | 80487 | \$45.50 |
| 20 mg | 80488 | \$45.50 |
| 10 mg | 80489 | \$45.50 |
| 5 mg | 80490 | \$45.50 |
| 3 mg | 80491 | \$45.50 |
| 2 mg | 80492 | \$45.50 |
| 1 mg | 80493 | \$45.50 |
| 0.5 mg* | 36078 | \$45.50 |

Optional Certificate

| Accredited | Non-Accredited |
|------------|----------------|
| \$55.00 | \$45.00 |
| \$55.00 | \$45.00 |
| \$55.00 | \$45.00 |
| \$55.00 | \$45.00 |
| \$55.00 | \$45.00 |
| \$55.00 | \$45.00 |
| \$55.00 | \$45.00 |
| \$55.00 | \$45.00 |
| \$55.00 | \$45.00 |
| \$55.00 | \$45.00 |
| \$55.00 | \$45.00 |
| \$55.00 | \$45.00 |
| \$55.00 | \$45.00 |

Class 2

Enclosed in vial/case per requirements.

| Nominal Value | Kit Part # | Price |
|---------------|--------------|---------|
| 500 mg | 80470 | \$51.00 |
| 300 mg | 80471 | \$51.00 |
| 200 mg | 80472 | \$51.00 |
| 100 mg | 80473 | \$51.00 |
| 50 mg | 80474 | \$51.00 |
| 30 mg | 80475 | \$51.00 |
| 20 mg | 80476 | \$51.00 |
| 10 mg | 80477 | \$51.00 |
| 5 mg | 80478 | \$51.00 |
| 3 mg | 80479 | \$51.00 |
| 2 mg | 80480 | \$51.00 |
| 1 mg | 80481 | \$51.00 |
| 0.5 mg* | 36077 | \$51.00 |

Optional Certificate

| Accredited | Non-Accredited |
|------------|----------------|
| \$55.00 | \$45.00 |
| \$55.00 | \$45.00 |
| \$55.00 | \$45.00 |
| \$55.00 | \$45.00 |
| \$55.00 | \$45.00 |
| \$55.00 | \$45.00 |
| \$55.00 | \$45.00 |
| \$55.00 | \$45.00 |
| \$55.00 | \$45.00 |
| \$55.00 | \$45.00 |
| \$55.00 | \$45.00 |
| \$55.00 | \$45.00 |
| \$55.00 | \$45.00 |

Class 4

Single leaf weights must ship in a vial.

| Nominal Value | Kit Part # | Price |
|---------------|--------------|---------|
| 500 mg | 80494 | \$39.50 |
| 300 mg | 80495 | \$39.50 |
| 200 mg | 80496 | \$39.50 |
| 100 mg | 80497 | \$39.50 |
| 50 mg | 80498 | \$39.50 |
| 30 mg | 80499 | \$39.50 |
| 20 mg | 80500 | \$39.50 |
| 10 mg | 80501 | \$39.50 |
| 5 mg | 80502 | \$39.50 |
| 3 mg | 80503 | \$39.50 |
| 2 mg | 80504 | \$39.50 |
| 1 mg | 80505 | \$39.50 |
| 0.5 mg* | 36079 | \$83.00 |

Optional Certificate

| Accredited |
|------------|
| \$40.00 |
| \$40.00 |
| \$40.00 |
| \$40.00 |
| \$40.00 |
| \$40.00 |
| \$40.00 |
| \$40.00 |
| \$40.00 |
| \$40.00 |
| \$40.00 |
| \$40.00 |
| \$40.00 |
| \$45.00 |

*Wire weight



Accessories

| Description | Part # | Price |
|--------------------------------------|---------------|---------|
| Statement of Accuracy | 36092 | \$47.50 |
| Serial number | 25836 | \$17.00 |
| Tweezer | 11711 | \$5.25 |
| Premium tweezer | 152414 | \$45.50 |
| Weight glove, white cotton | 11714 | \$7.25 |
| Leaf weight cover | 11755 | \$45.50 |
| Lifter bar | 11747 | \$22.25 |
| Lifter bar with larger handle | 11712 | \$77.00 |
| Replacement vial 500 mg to 0.5 mg | 50038 | \$5.25 |

MASS REFERENCE STANDARDS / METRIC SINGLE WEIGHTS

Range: 500 mg – 1 mg

Class 1

Single leaf weights must ship in a vial.

| Nominal Value | Part # | Price |
|---------------|--------|---------|
| 500 mg | 11852 | \$72.00 |
| 300 mg | 11851 | \$72.00 |
| 200 mg | 11850 | \$72.00 |
| 100 mg | 11849 | \$72.00 |
| 50 mg | 11847 | \$72.00 |
| 30 mg | 11846 | \$72.00 |
| 20 mg | 11845 | \$72.00 |
| 10 mg | 11844 | \$72.00 |
| 5 mg | 11842 | \$72.00 |
| 3 mg | 11841 | \$72.00 |
| 2 mg | 11840 | \$72.00 |
| 1 mg | 11839 | \$72.00 |

Optional Certificate

| Accredited | Non-Accredited |
|------------|----------------|
| \$55.00 | \$45.00 |
| \$55.00 | \$45.00 |
| \$55.00 | \$45.00 |
| \$55.00 | \$45.00 |
| \$55.00 | \$45.00 |
| \$55.00 | \$45.00 |
| \$55.00 | \$45.00 |
| \$55.00 | \$45.00 |
| \$55.00 | \$45.00 |
| \$55.00 | \$45.00 |
| \$55.00 | \$45.00 |
| \$55.00 | \$45.00 |

Class 3

Single leaf weights must ship in a vial.

| Nominal Value | Part # | Price |
|---------------|--------|---------|
| 500 mg | 12253 | \$42.00 |
| 300 mg | 12252 | \$42.00 |
| 200 mg | 12251 | \$42.00 |
| 100 mg | 12250 | \$42.00 |
| 50 mg | 12248 | \$42.00 |
| 30 mg | 12247 | \$42.00 |
| 20 mg | 12246 | \$42.00 |
| 10 mg | 12245 | \$42.00 |
| 5 mg | 12244 | \$42.00 |
| 3 mg | 12243 | \$42.00 |
| 2 mg | 12242 | \$42.00 |
| 1 mg | 12241 | \$42.00 |

Optional Certificate

| Accredited | Non-Accredited |
|------------|----------------|
| \$55.00 | \$45.00 |
| \$55.00 | \$45.00 |
| \$55.00 | \$45.00 |
| \$55.00 | \$45.00 |
| \$55.00 | \$45.00 |
| \$55.00 | \$45.00 |
| \$55.00 | \$45.00 |
| \$55.00 | \$45.00 |
| \$55.00 | \$45.00 |
| \$55.00 | \$45.00 |
| \$55.00 | \$45.00 |
| \$55.00 | \$45.00 |

Class 2

Single leaf weights must ship in a vial.

| Nominal Value | Part # | Price |
|---------------|--------|---------|
| 500 mg | 12107 | \$45.50 |
| 300 mg | 12106 | \$45.50 |
| 200 mg | 12105 | \$45.50 |
| 100 mg | 12104 | \$45.50 |
| 50 mg | 12102 | \$45.50 |
| 30 mg | 12101 | \$45.50 |
| 20 mg | 12100 | \$45.50 |
| 10 mg | 12099 | \$45.50 |
| 5 mg | 12097 | \$45.50 |
| 3 mg | 12096 | \$45.50 |
| 2 mg | 12095 | \$45.50 |
| 1 mg | 12094 | \$45.50 |
| 0.5 mg | 225893 | Consult |

Optional Certificate

| Accredited | Non-Accredited |
|------------|----------------|
| \$55.00 | \$45.00 |
| \$55.00 | \$45.00 |
| \$55.00 | \$45.00 |
| \$55.00 | \$45.00 |
| \$55.00 | \$45.00 |
| \$55.00 | \$45.00 |
| \$55.00 | \$45.00 |
| \$55.00 | \$45.00 |
| \$55.00 | \$45.00 |
| \$55.00 | \$45.00 |
| \$55.00 | \$45.00 |
| \$55.00 | \$45.00 |

Class 4

Single leaf weights must ship in a vial.

| Nominal Value | Part # | Price |
|---------------|--------|---------|
| 500 mg | 12356 | \$39.50 |
| 300 mg | 12355 | \$39.50 |
| 200 mg | 12354 | \$39.50 |
| 100 mg | 12353 | \$39.50 |
| 50 mg | 12352 | \$39.50 |
| 30 mg | 12351 | \$39.50 |
| 20 mg | 12350 | \$39.50 |
| 10 mg | 22198 | \$39.50 |
| 5 mg | 22197 | \$39.50 |
| 3 mg | 22196 | \$39.50 |
| 2 mg | 22195 | \$39.50 |
| 1 mg | 22194 | \$39.50 |

Optional Certificate

| Accredited |
|------------|
| \$40.00 |
| \$40.00 |
| \$40.00 |
| \$40.00 |
| \$40.00 |
| \$40.00 |
| \$40.00 |
| \$40.00 |
| \$40.00 |
| \$40.00 |
| \$40.00 |
| \$40.00 |

CALIBRATION WEIGHTS
ASTM PRECISION



Leaf (Milligram) Weight

Accessories

| Description | Part # | Price |
|--------------------------------------|--------|---------|
| Statement of Accuracy | 36092 | \$47.50 |
| Serial number | 25836 | \$17.00 |
| Tweezer | 11711 | \$5.25 |
| Premium tweezer | 152414 | \$45.50 |
| Weight glove, white cotton | 11714 | \$7.25 |
| Leaf weight cover | 11755 | \$45.50 |
| Lifter bar | 11747 | \$22.25 |
| Lifter bar with larger handle | 11712 | \$77.00 |
| Replacement vial 500 mg to 0.5 mg | 50038 | \$5.25 |

MASS REFERENCE STANDARDS / AVOIRDUPOIS SINGLE WEIGHT WITH CASE (KITS)

Range: 30 lb – 1/16 oz

CALIBRATION WEIGHTS
ASTM PRECISION

| Class 1 | | | Optional Certificate | | Class 2 | | | Optional Certificate | |
|---------------|------------|------------|----------------------|----------------|---------------|------------|------------|----------------------|----------------|
| Nominal Value | Kit Part # | Price | Accredited | Non-Accredited | Nominal Value | Kit Part # | Price | Accredited | Non-Accredited |
| 30 lb | 82581 | \$4,350.00 | \$130.00 | \$85.00 | 30 lb | 82625 | \$4,250.00 | \$130.00 | \$85.00 |
| 25 lb | 82580 | \$3,000.00 | \$130.00 | \$85.00 | 25 lb | 82624 | \$3,600.00 | \$130.00 | \$85.00 |
| 20 lb | 82579 | \$2,975.00 | \$130.00 | \$85.00 | 20 lb | 82623 | \$2,900.00 | \$130.00 | \$85.00 |
| 10 lb | 82578 | \$1,750.00 | \$130.00 | \$85.00 | 10 lb | 82622 | \$1,710.00 | \$130.00 | \$85.00 |
| 5 lb | 82589 | \$1,260.00 | \$130.00 | \$85.00 | 5 lb | 82631 | \$1,210.00 | \$130.00 | \$85.00 |
| 4 lb | 82588 | \$1,070.00 | \$130.00 | \$85.00 | 4 lb | 82630 | \$1,020.00 | \$130.00 | \$85.00 |
| 3 lb | 82587 | \$805.00 | \$130.00 | \$85.00 | 3 lb | 82629 | \$735.00 | \$130.00 | \$85.00 |
| 2 lb | 82586 | \$705.00 | \$105.00 | \$70.00 | 2 lb | 82628 | \$665.00 | \$105.00 | \$70.00 |
| 1 lb | 82585 | \$360.00 | \$105.00 | \$70.00 | 1 lb | 82627 | \$340.00 | \$105.00 | \$70.00 |
| 8 oz | 82584 | \$295.00 | \$55.00 | \$45.00 | 8 oz | 82626 | \$280.00 | \$55.00 | \$45.00 |
| 0.5 lb | 82570 | \$300.00 | \$55.00 | \$45.00 | 0.5 lb | 82614 | \$280.00 | \$55.00 | \$45.00 |
| 0.3 lb | 118809 | \$230.00 | \$55.00 | \$45.00 | 0.3 lb | 118810 | \$220.00 | \$55.00 | \$45.00 |
| 0.2 lb | 82569 | \$195.00 | \$55.00 | \$45.00 | 0.2 lb | 82613 | \$195.00 | \$55.00 | \$45.00 |
| 0.1 lb | 82568 | \$145.00 | \$55.00 | \$45.00 | 0.1 lb | 82612 | \$135.00 | \$55.00 | \$45.00 |
| 0.05 lb | 82567 | \$135.00 | \$55.00 | \$45.00 | 0.05 lb | 82611 | \$130.00 | \$55.00 | \$45.00 |
| 0.03 lb | 118805 | \$130.00 | \$55.00 | \$45.00 | 0.03 lb | 118806 | \$120.00 | \$55.00 | \$45.00 |
| 0.02 lb | 82566 | \$130.00 | \$55.00 | \$45.00 | 0.02 lb | 82610 | \$125.00 | \$55.00 | \$45.00 |
| 0.01 lb | 82565 | \$130.00 | \$55.00 | \$45.00 | 0.01 lb | 82609 | \$120.00 | \$55.00 | \$45.00 |
| 0.005 lb | 82564 | \$130.00 | \$55.00 | \$45.00 | 0.005 lb | 82608 | \$120.00 | \$55.00 | \$45.00 |
| 0.003 lb | 118801 | \$130.00 | \$55.00 | \$45.00 | 0.003 lb | 118802 | \$120.00 | \$55.00 | \$45.00 |
| 4 oz | 82577 | \$165.00 | \$55.00 | \$45.00 | 4 oz | 82621 | \$165.00 | \$55.00 | \$45.00 |
| 2 oz | 82576 | \$145.00 | \$55.00 | \$45.00 | 2 oz | 82620 | \$135.00 | \$55.00 | \$45.00 |
| 1 oz | 82575 | \$125.00 | \$55.00 | \$45.00 | 1 oz | 82619 | \$125.00 | \$55.00 | \$45.00 |
| 1/2 oz | 82574 | \$120.00 | \$55.00 | \$45.00 | 1/2 oz | 82618 | \$115.00 | \$55.00 | \$45.00 |
| 1/4 oz | 82573 | \$120.00 | \$55.00 | \$45.00 | 1/4 oz | 82617 | \$115.00 | \$55.00 | \$45.00 |
| 1/8 oz | 82572 | \$120.00 | \$55.00 | \$45.00 | 1/8 oz | 82616 | \$115.00 | \$55.00 | \$45.00 |
| 1/16 oz | 82571 | \$120.00 | \$55.00 | \$45.00 | 1/16 oz | 82615 | \$115.00 | \$55.00 | \$45.00 |

Replacement Cases

| Main Cases | | |
|-----------------------------|--------|----------|
| Class 1, 2 and 3 Screw Knob | | |
| Nominal Value | Part # | Price |
| 30 lb | 80743 | \$265.00 |
| 25 lb | 80742 | \$265.00 |
| 20 lb | 80741 | \$265.00 |
| 10 lb | 80740 | \$265.00 |
| 5 lb | 190272 | \$40.50 |
| 4 lb | 190268 | \$40.50 |
| 3 lb | 190265 | \$40.50 |
| 2 lb | 190261 | \$40.50 |
| 1 lb | 189713 | \$40.50 |
| 8 oz | 189638 | \$40.50 |
| 0.5 lb | 189638 | \$40.50 |
| 0.3 lb | 189633 | \$40.50 |
| 0.2 lb | 189569 | \$44.50 |
| 0.1 lb | 189508 | \$44.50 |

| Main Cases | | |
|-----------------------------|--------|---------|
| Class 1, 2 and 3 Screw Knob | | |
| Nominal Value | Part # | Price |
| 0.05 lb | 189485 | \$44.50 |
| 0.03 lb | 189478 | \$44.50 |
| 0.02 lb | 189460 | \$44.50 |
| 0.01 lb | 189349 | \$44.50 |
| 0.005 lb | 189239 | \$44.50 |
| 0.003 lb | 189234 | \$44.50 |
| 4 oz | 189571 | \$44.50 |
| 2 oz | 190126 | \$40.50 |
| 1 oz | 189486 | \$44.50 |
| 1/2 oz | 189478 | \$44.50 |
| 1/4 oz | 189350 | \$44.50 |
| 1/8 oz | 194034 | \$42.00 |
| 1/16 oz | 189237 | \$44.50 |

| Main Cases | | |
|--------------------|--------|----------|
| Class 4 Screw Knob | | |
| Nominal Value | Part # | Price |
| 30 lb | 80743 | \$265.00 |
| 25 lb | 80742 | \$265.00 |
| 20 lb | 80741 | \$265.00 |
| 10 lb | 80740 | \$265.00 |
| 5 lb | 190272 | \$40.50 |
| 4 lb | 190268 | \$40.50 |
| 3 lb | 190265 | \$40.50 |
| 2 lb | 190261 | \$40.50 |
| 1 lb | 189713 | \$40.50 |
| 8 oz | 189638 | \$40.50 |
| 0.5 lb | 189638 | \$40.50 |
| 0.3 lb | 189633 | \$40.50 |
| 0.2 lb | 189569 | \$44.50 |
| 0.1 lb | 189508 | \$44.50 |

MASS REFERENCE STANDARDS / AVOIRDUPOIS SINGLE WEIGHT WITH CASE (KITS)

Range: 30 lb – 1/16 oz

| Class 3 | | | Optional Certificate | | Class 4 | | | Optional Certificate | |
|---------------|---------------|------------|----------------------|----------------|---------------|---------------|------------|----------------------|--|
| Nominal Value | Kit Part # | Price | Accredited | Non-Accredited | Nominal Value | Kit Part # | Price | Accredited | |
| 30 lb | 82667 | \$4,075.00 | \$130.00 | \$85.00 | 30 lb | 82709 | \$4,025.00 | \$80.00 | |
| 25 lb | 82666 | \$3,450.00 | \$130.00 | \$85.00 | 25 lb | 82708 | \$3,425.00 | \$80.00 | |
| 20 lb | 82665 | \$2,750.00 | \$130.00 | \$85.00 | 20 lb | 82707 | \$2,725.00 | \$80.00 | |
| 10 lb | 82664 | \$1,590.00 | \$130.00 | \$85.00 | 10 lb | 82706 | \$1,580.00 | \$80.00 | |
| 5 lb | 82673 | \$1,180.00 | \$130.00 | \$85.00 | 5 lb | 82715 | \$1,170.00 | \$80.00 | |
| 4 lb | 82672 | \$980.00 | \$130.00 | \$85.00 | 4 lb | 82714 | \$890.00 | \$80.00 | |
| 3 lb | 82671 | \$710.00 | \$130.00 | \$85.00 | 3 lb | 82713 | \$685.00 | \$80.00 | |
| 2 lb | 82670 | \$645.00 | \$105.00 | \$70.00 | 2 lb | 82712 | \$620.00 | \$65.00 | |
| 1 lb | 82669 | \$325.00 | \$105.00 | \$70.00 | 1 lb | 82711 | \$295.00 | \$65.00 | |
| 8 oz | 82668 | \$280.00 | \$55.00 | \$45.00 | 8 oz | 82710 | \$270.00 | \$40.00 | |
| 0.5 lb | 82656 | \$280.00 | \$55.00 | \$45.00 | 0.5 lb | 82698 | \$280.00 | \$40.00 | |
| 0.3 lb | 118811 | \$180.00 | \$55.00 | \$45.00 | 0.3 lb | 118812 | \$195.00 | \$40.00 | |
| 0.2 lb | 82655 | \$150.00 | \$55.00 | \$45.00 | 0.2 lb | 82697 | \$145.00 | \$40.00 | |
| 0.1 lb | 82654 | \$135.00 | \$55.00 | \$45.00 | 0.1 lb | 82696 | \$125.00 | \$40.00 | |
| 0.05 lb | 82653 | \$125.00 | \$55.00 | \$45.00 | 0.05 lb | 82695 | \$120.00 | \$40.00 | |
| 0.03 lb | 118807 | \$120.00 | \$55.00 | \$45.00 | 0.03 lb | 118808 | \$98.00 | \$40.00 | |
| 0.02 lb | 82652 | \$120.00 | \$55.00 | \$45.00 | 0.02 lb | 82694 | \$120.00 | \$40.00 | |
| 0.01 lb | 82651 | \$120.00 | \$55.00 | \$45.00 | 0.01 lb | 82693 | \$120.00 | \$40.00 | |
| 0.005 lb | 82650 | \$115.00 | \$55.00 | \$45.00 | 0.005 lb | 82692 | \$120.00 | \$40.00 | |
| 0.003 lb | 118803 | \$115.00 | \$55.00 | \$45.00 | 0.003 lb | 118804 | \$120.00 | \$40.00 | |
| 4 oz | 82663 | \$160.00 | \$55.00 | \$45.00 | 4 oz | 82705 | \$145.00 | \$40.00 | |
| 2 oz | 82662 | \$135.00 | \$55.00 | \$45.00 | 2 oz | 82704 | \$135.00 | \$40.00 | |
| 1 oz | 82661 | \$115.00 | \$55.00 | \$45.00 | 1 oz | 82703 | \$125.00 | \$40.00 | |
| 1/2 oz | 82660 | \$115.00 | \$55.00 | \$45.00 | 1/2 oz | 82702 | \$120.00 | \$40.00 | |
| 1/4 oz | 82659 | \$115.00 | \$55.00 | \$45.00 | 1/4 oz | 82701 | \$120.00 | \$40.00 | |
| 1/8 oz | 82658 | \$115.00 | \$55.00 | \$45.00 | 1/8 oz | 82700 | \$120.00 | \$40.00 | |
| 1/16 oz | 82657 | \$115.00 | \$55.00 | \$45.00 | 1/16 oz | 82699 | \$120.00 | \$40.00 | |

**CALIBRATION WEIGHTS
ASTM PRECISION**



Kits Include a Single Weight with Case and Glove

Accessories

| Main Cases | | |
|--------------------|---------------|---------|
| Class 4 Screw Knob | | |
| Nominal Value | Part # | Price |
| 0.05 lb | 189485 | \$44.50 |
| 0.03 lb | 189478 | \$44.50 |
| 0.02 lb | 189460 | \$44.50 |
| 0.01 lb | 189349 | \$44.50 |
| 0.005 lb | 189239 | \$44.50 |
| 0.003 lb | 189234 | \$44.50 |
| 4 oz | 189571 | \$44.50 |
| 2 oz | 190126 | \$40.50 |
| 1 oz | 189486 | \$44.50 |
| 1/2 oz | 189478 | \$44.50 |
| 1/4 oz | 189350 | \$44.50 |
| 1/8 oz | 194034 | \$42.00 |
| 1/16 oz | 189237 | \$44.50 |

| Description | Part # | Price |
|----------------------------|---------------|---------|
| Statement of Accuracy | 36092 | \$47.50 |
| Weight glove, white cotton | 11714 | \$7.25 |
| Tweezer | 11711 | \$5.25 |
| Premium tweezer | 152414 | \$45.50 |
| Serial number | 25836 | \$17.00 |
| Lifter bar | 11747 | \$22.25 |
| Capsule | 80420 | \$5.25 |

MASS REFERENCE STANDARDS / AVOIRDUPOIS SINGLE WEIGHT WITH CASE (KITS)

Range: 0.001lb – 1/32 oz

Class 1

Enclosed in vial/case per requirements.

| Nominal Value | Part # | Price | Optional Certificate | |
|---------------|--------------|----------|----------------------|----------------|
| | | | Accredited | Non-Accredited |
| 0.001lb | 80428 | \$120.00 | \$55.00 | \$45.00 |
| 0.002lb | 80439 | \$120.00 | \$55.00 | \$45.00 |
| 1/32 oz | 80442 | \$120.00 | \$55.00 | \$45.00 |

Class 2

Enclosed in vial/case per requirements.

| Nominal Value | Part # | Price | Optional Certificate | |
|---------------|--------------|----------|----------------------|----------------|
| | | | Accredited | Non-Accredited |
| 0.001lb | 80443 | \$120.00 | \$55.00 | \$45.00 |
| 0.002lb | 80445 | \$115.00 | \$55.00 | \$45.00 |
| 1/32 oz | 80446 | \$115.00 | \$55.00 | \$45.00 |

Class 3

Enclosed in vial/case per requirements.

| Nominal Value | Part # | Price | Optional Certificate | |
|---------------|--------------|----------|----------------------|----------------|
| | | | Accredited | Non-Accredited |
| 0.001lb | 80448 | \$115.00 | \$55.00 | \$45.00 |
| 0.002lb | 80449 | \$115.00 | \$55.00 | \$45.00 |
| 1/32 oz | 80451 | \$115.00 | \$55.00 | \$45.00 |

CALIBRATION WEIGHTS
ASTM PRECISION



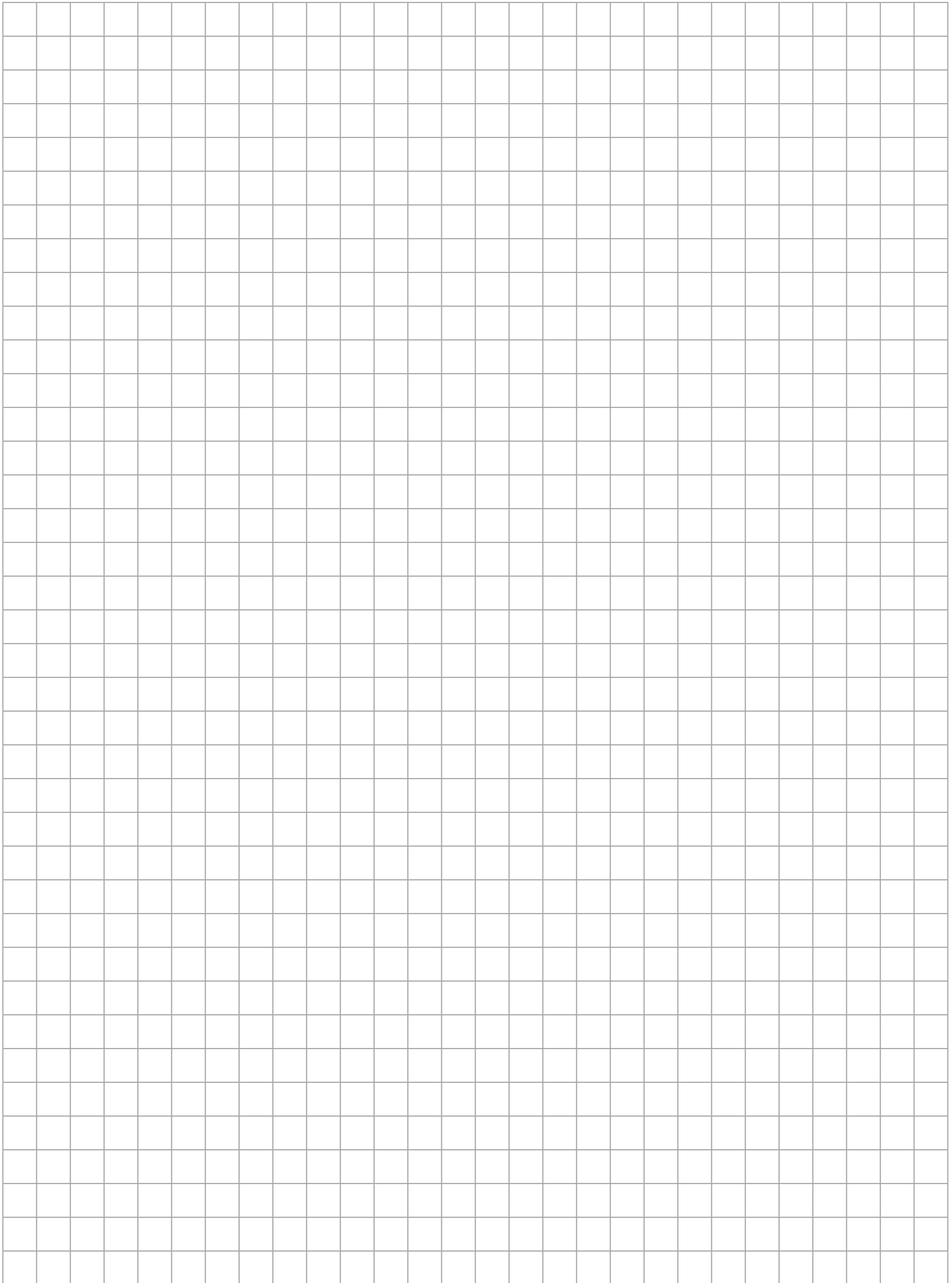
Kits Include a
Single Weight with Vial

Replacement Cases

| Main Case | | |
|-----------------------|----------------|---------|
| Class 1, 2 and 3 Leaf | | |
| Nominal Value | Part # | Price |
| 0.001lb | Consult | Consult |
| 0.002lb | Consult | Consult |
| 1/32 oz | Consult | Consult |

Accessories

| Description | Part # | Price |
|----------------------------|---------------|---------|
| Statement of Accuracy | 36092 | \$47.50 |
| Weight glove, white cotton | 11714 | \$7.25 |
| Tweezer | 11711 | \$5.25 |
| Premium tweezer | 152414 | \$45.50 |
| Serial number | 25836 | \$17.00 |
| Vial | 50038 | \$5.25 |
| Lifter bar | 11747 | \$22.25 |



**CALIBRATION WEIGHTS
ASTM PRECISION**

MASS REFERENCE STANDARDS / AVOIRDUPOIS SINGLE WEIGHTS

Range: 50 lb – 1/16 oz

CALIBRATION WEIGHTS
ASTM PRECISION

| Class 1 | | | Optional Certificate | | Class 2 | | | Optional Certificate | |
|---------------|--------|------------|----------------------|----------------|---------------|--------|------------|----------------------|----------------|
| Nominal Value | Part # | Price | Accredited | Non-Accredited | Nominal Value | Part # | Price | Accredited | Non-Accredited |
| 50 lb | 12056 | \$5,675.00 | \$285.00 | \$85.00 | 50 lb | 12202 | \$5,600.00 | \$285.00 | \$85.00 |
| 30 lb | 12055 | \$4,175.00 | \$130.00 | \$85.00 | 30 lb | 12201 | \$4,075.00 | \$130.00 | \$85.00 |
| 25 lb | 12054 | \$3,525.00 | \$130.00 | \$85.00 | 25 lb | 12200 | \$3,450.00 | \$130.00 | \$85.00 |
| 20 lb | 12053 | \$2,850.00 | \$130.00 | \$85.00 | 20 lb | 12199 | \$2,775.00 | \$130.00 | \$85.00 |
| 10 lb | 12052 | \$1,610.00 | \$130.00 | \$85.00 | 10 lb | 12198 | \$1,560.00 | \$130.00 | \$85.00 |
| 5 lb | 12050 | \$1,200.00 | \$130.00 | \$85.00 | 5 lb | 12196 | \$1,160.00 | \$130.00 | \$85.00 |
| 4 lb | 12049 | \$1,010.00 | \$130.00 | \$85.00 | 4 lb | 12195 | \$935.00 | \$130.00 | \$85.00 |
| 3 lb | 12048 | \$775.00 | \$130.00 | \$85.00 | 3 lb | 12194 | \$695.00 | \$130.00 | \$85.00 |
| 2 lb | 12047 | \$670.00 | \$105.00 | \$70.00 | 2 lb | 12193 | \$640.00 | \$105.00 | \$70.00 |
| 1 lb | 12046 | \$325.00 | \$105.00 | \$70.00 | 1 lb | 12192 | \$325.00 | \$105.00 | \$70.00 |
| 8 oz | 12044 | \$295.00 | \$55.00 | \$45.00 | 8 oz | 12190 | \$275.00 | \$55.00 | \$45.00 |
| 0.5 lb | 12034 | \$290.00 | \$55.00 | \$45.00 | 0.5 lb | 12180 | \$275.00 | \$55.00 | \$45.00 |
| 0.3 lb | 118518 | \$230.00 | \$55.00 | \$45.00 | 0.3 lb | 118519 | \$220.00 | \$55.00 | \$45.00 |
| 0.2 lb | 12033 | \$180.00 | \$55.00 | \$45.00 | 0.2 lb | 12179 | \$180.00 | \$55.00 | \$45.00 |
| 0.1 lb | 12032 | \$135.00 | \$55.00 | \$45.00 | 0.1 lb | 12178 | \$130.00 | \$55.00 | \$45.00 |
| 0.05 lb | 12027 | \$125.00 | \$55.00 | \$45.00 | 0.05 lb | 12173 | \$125.00 | \$55.00 | \$45.00 |
| 0.03 lb | 118514 | \$120.00 | \$55.00 | \$45.00 | 0.03 lb | 118515 | \$120.00 | \$55.00 | \$45.00 |
| 0.02 lb | 12022 | \$120.00 | \$55.00 | \$45.00 | 0.02 lb | 12168 | \$120.00 | \$55.00 | \$45.00 |
| 0.01 lb | 12020 | \$120.00 | \$55.00 | \$45.00 | 0.01 lb | 12166 | \$120.00 | \$55.00 | \$45.00 |
| 0.005 lb | 12013 | \$120.00 | \$55.00 | \$45.00 | 0.005 lb | 12159 | \$120.00 | \$55.00 | \$45.00 |
| 0.003 lb | 118510 | \$120.00 | \$55.00 | \$45.00 | 0.003 lb | 118511 | \$120.00 | \$55.00 | \$45.00 |
| 4 oz | 12043 | \$150.00 | \$55.00 | \$45.00 | 4 oz | 12189 | \$150.00 | \$55.00 | \$45.00 |
| 2 oz | 12042 | \$135.00 | \$55.00 | \$45.00 | 2 oz | 12188 | \$130.00 | \$55.00 | \$45.00 |
| 1 oz | 12041 | \$105.00 | \$55.00 | \$45.00 | 1 oz | 12187 | \$105.00 | \$55.00 | \$45.00 |
| 1/2 oz | 12040 | \$120.00 | \$55.00 | \$45.00 | 1/2 oz | 12186 | \$120.00 | \$55.00 | \$45.00 |
| 1/4 oz | 12039 | \$120.00 | \$55.00 | \$45.00 | 1/4 oz | 12185 | \$120.00 | \$55.00 | \$45.00 |
| 1/8 oz | 12038 | \$120.00 | \$55.00 | \$45.00 | 1/8 oz | 12184 | \$120.00 | \$55.00 | \$45.00 |
| 1/16 oz | 12037 | \$120.00 | \$55.00 | \$45.00 | 1/16 oz | 12183 | \$120.00 | \$55.00 | \$45.00 |

Replacement Cases

| Main Cases | | | Main Cases | | | Main Cases | | |
|--------------------------|---------|----------|--------------------------|--------|---------|--------------------------|--------|---------|
| Class 1 and 2 Screw Knob | | | Class 1 and 2 Screw Knob | | | Class 1 and 2 Screw Knob | | |
| Nominal Value | Part # | Price | Nominal Value | Part # | Price | Nominal Value | Part # | Price |
| 50 lb | Consult | Consult | 8 oz | 189638 | \$40.50 | 0.003 lb | 189234 | \$44.50 |
| 30 lb | 80743 | \$265.00 | 0.5 lb | 189638 | \$40.50 | 4 oz | 189571 | \$44.50 |
| 25 lb | 80742 | \$265.00 | 0.3 lb | 189633 | \$40.50 | 2 oz | 190126 | \$40.50 |
| 20 lb | 80741 | \$265.00 | 0.2 lb | 189569 | \$44.50 | 1 oz | 189486 | \$44.50 |
| 10 lb | 80740 | \$265.00 | 0.1 lb | 189508 | \$44.50 | 1/2 oz | 189478 | \$44.50 |
| 5 lb | 190272 | \$40.50 | 0.05 lb | 189485 | \$44.50 | 1/4 oz | 189350 | \$44.50 |
| 4 lb | 190268 | \$40.50 | 0.03 lb | 189478 | \$44.50 | 1/8 oz | 194034 | \$42.00 |
| 3 lb | 190265 | \$40.50 | 0.02 lb | 189460 | \$44.50 | 1/16 oz | 189237 | \$44.50 |
| 2 lb | 190261 | \$40.50 | 0.01 lb | 189349 | \$44.50 | | | |
| 1 lb | 189713 | \$40.50 | 0.005 lb | 189239 | \$44.50 | | | |

MASS REFERENCE STANDARDS / AVOIRDUPOIS SINGLE WEIGHTS

Range: 50 lb – 1/16 oz

| Class 3 | | | Optional Certificate | | Class 4 | | | Optional Certificate | |
|---------------|--------|------------|----------------------|----------------|---------------|--------|------------|----------------------|--|
| Nominal Value | Part # | Price | Accredited | Non-Accredited | Nominal Value | Part # | Price | Accredited | |
| 50 lb | 12335 | \$5,525.00 | \$285.00 | \$85.00 | 50 lb | 12438 | \$5,450.00 | \$80.00 | |
| 30 lb | 12334 | \$3,925.00 | \$130.00 | \$85.00 | 30 lb | 12437 | \$3,900.00 | \$80.00 | |
| 25 lb | 12333 | \$3,325.00 | \$130.00 | \$85.00 | 25 lb | 12436 | \$3,275.00 | \$80.00 | |
| 20 lb | 12332 | \$2,575.00 | \$130.00 | \$85.00 | 20 lb | 12435 | \$2,550.00 | \$80.00 | |
| 10 lb | 12331 | \$1,490.00 | \$130.00 | \$85.00 | 10 lb | 12434 | \$1,430.00 | \$80.00 | |
| 5 lb | 12330 | \$1,130.00 | \$130.00 | \$85.00 | 5 lb | 12433 | \$1,100.00 | \$80.00 | |
| 4 lb | 12329 | \$925.00 | \$130.00 | \$85.00 | 4 lb | 12432 | \$855.00 | \$80.00 | |
| 3 lb | 12328 | \$670.00 | \$130.00 | \$85.00 | 3 lb | 12431 | \$650.00 | \$80.00 | |
| 2 lb | 12327 | \$610.00 | \$105.00 | \$70.00 | 2 lb | 12430 | \$600.00 | \$65.00 | |
| 1 lb | 12326 | \$305.00 | \$105.00 | \$70.00 | 1 lb | 12429 | \$280.00 | \$65.00 | |
| 8 oz | 12325 | \$265.00 | \$55.00 | \$45.00 | 8 oz | 12428 | \$260.00 | \$40.00 | |
| 0.5 lb | 12316 | \$270.00 | \$55.00 | \$45.00 | 0.5 lb | 12419 | \$270.00 | \$40.00 | |
| 0.3 lb | 118520 | \$180.00 | \$55.00 | \$45.00 | 0.3 lb | 118521 | \$170.00 | \$40.00 | |
| 0.2 lb | 12315 | \$140.00 | \$55.00 | \$45.00 | 0.2 lb | 12418 | \$135.00 | \$40.00 | |
| 0.1 lb | 12314 | \$125.00 | \$55.00 | \$45.00 | 0.1 lb | 12417 | \$105.00 | \$40.00 | |
| 0.05 lb | 12310 | \$120.00 | \$55.00 | \$45.00 | 0.05 lb | 12413 | \$120.00 | \$40.00 | |
| 0.03 lb | 118516 | \$120.00 | \$55.00 | \$45.00 | 0.03 lb | 118517 | \$120.00 | \$40.00 | |
| 0.02 lb | 22185 | \$120.00 | \$55.00 | \$45.00 | 0.02 lb | 12408 | \$120.00 | \$40.00 | |
| 0.01 lb | 22183 | \$120.00 | \$55.00 | \$45.00 | 0.01 lb | 12406 | \$105.00 | \$40.00 | |
| 0.005 lb | 12297 | \$120.00 | \$55.00 | \$45.00 | 0.005 lb | 12400 | \$105.00 | \$40.00 | |
| 0.003 lb | 118512 | \$120.00 | \$55.00 | \$45.00 | 0.003 lb | 118513 | \$105.00 | \$40.00 | |
| 4 oz | 12324 | \$150.00 | \$55.00 | \$45.00 | 4 oz | 12427 | \$130.00 | \$40.00 | |
| 2 oz | 12323 | \$130.00 | \$55.00 | \$45.00 | 2 oz | 12426 | \$125.00 | \$40.00 | |
| 1 oz | 12322 | \$98.00 | \$55.00 | \$45.00 | 1 oz | 12425 | \$105.00 | \$40.00 | |
| 1/2 oz | 12321 | \$120.00 | \$55.00 | \$45.00 | 1/2 oz | 12424 | \$120.00 | \$40.00 | |
| 1/4 oz | 12320 | \$120.00 | \$55.00 | \$45.00 | 1/4 oz | 12423 | \$120.00 | \$40.00 | |
| 1/8 oz | 12319 | \$120.00 | \$55.00 | \$45.00 | 1/8 oz | 12422 | \$120.00 | \$40.00 | |
| 1/16 oz | 12318 | \$120.00 | \$55.00 | \$45.00 | 1/16 oz | 12421 | \$120.00 | \$40.00 | |

CALIBRATION WEIGHTS
ASTM PRECISION



Replacement Cases

| Main Cases | | |
|--------------------------|---------|----------|
| Class 3 and 4 Screw Knob | | |
| Nominal Value | Part # | Price |
| 50 lb | Consult | Consult |
| 30 lb | 80743 | \$265.00 |
| 25 lb | 80742 | \$265.00 |
| 20 lb | 80741 | \$265.00 |
| 10 lb | 80740 | \$265.00 |
| 5 lb | 190272 | \$40.50 |
| 4 lb | 190268 | \$40.50 |
| 3 lb | 190265 | \$40.50 |
| 2 lb | 190261 | \$40.50 |
| 1 lb | 189713 | \$40.50 |

| Main Cases | | |
|--------------------------|--------|---------|
| Class 3 and 4 Screw Knob | | |
| Nominal Value | Part # | Price |
| 8 oz | 189638 | \$40.50 |
| 0.5 lb | 189638 | \$40.50 |
| 0.3 lb | 189633 | \$40.50 |
| 0.2 lb | 189569 | \$44.50 |
| 0.1 lb | 189508 | \$44.50 |
| 0.05 lb | 189485 | \$44.50 |
| 0.03 lb | 189478 | \$44.50 |
| 0.02 lb | 189460 | \$44.50 |
| 0.01 lb | 189349 | \$44.50 |
| 0.005 lb | 189239 | \$44.50 |

| Main Cases | | |
|--------------------------|--------|---------|
| Class 3 and 4 Screw Knob | | |
| Nominal Value | Part # | Price |
| 0.003 lb | 189234 | \$44.50 |
| 4 oz | 189571 | \$44.50 |
| 2 oz | 190126 | \$40.50 |
| 1 oz | 189486 | \$44.50 |
| 1/2 oz | 189478 | \$44.50 |
| 1/4 oz | 189350 | \$44.50 |
| 1/8 oz | 194034 | \$42.00 |
| 1/16 oz | 189237 | \$44.50 |

MASS REFERENCE STANDARDS / AVOIRDUPOIS SINGLE WEIGHTS

Range: 0.001lb – 1/32 oz

Class 1

Single leaf weights must ship in a vial.

| Nominal Value | Part # | Price | Optional Certificate | |
|---------------|--------------|----------|----------------------|----------------|
| | | | Accredited | Non-Accredited |
| 0.001lb | 12007 | \$120.00 | \$55.00 | \$45.00 |
| 0.002lb | 12009 | \$120.00 | \$55.00 | \$45.00 |
| 1/32 oz | 12036 | \$120.00 | \$55.00 | \$45.00 |

Class 2

Single leaf weights must ship in a vial.

| Nominal Value | Part # | Price | Optional Certificate | |
|---------------|--------------|----------|----------------------|----------------|
| | | | Accredited | Non-Accredited |
| 0.001lb | 12153 | \$120.00 | \$55.00 | \$45.00 |
| 0.002lb | 12155 | \$120.00 | \$55.00 | \$45.00 |
| 1/32 oz | 12182 | \$120.00 | \$55.00 | \$45.00 |

Class 3

Single leaf weights must ship in a vial.

| Nominal Value | Part # | Price | Optional Certificate | |
|---------------|--------------|----------|----------------------|----------------|
| | | | Accredited | Non-Accredited |
| 0.001lb | 12291 | \$120.00 | \$55.00 | \$45.00 |
| 0.002lb | 12293 | \$120.00 | \$55.00 | \$45.00 |
| 1/32 oz | 12317 | \$120.00 | \$55.00 | \$45.00 |

Class 4

Single leaf weights must ship in a vial.

| Nominal Value | Part # | Price | Optional Certificate | |
|---------------|--------------|---------|----------------------|----------------|
| | | | Accredited | Non-Accredited |
| 0.001lb | 12394 | \$98.00 | | \$40.00 |
| 0.002lb | 12396 | \$98.00 | | \$40.00 |
| 1/32 oz | 12420 | \$98.00 | | \$40.00 |

CALIBRATION WEIGHTS
ASTM PRECISION



Kits Include a
Single Weight with Vial

Accessories

| Description | Part # | Price |
|--|---------------|---------|
| Statement of Accuracy | 36092 | \$47.50 |
| Weight glove, white cotton | 11714 | \$7.25 |
| Tweezer | 11711 | \$5.25 |
| Premium tweezer | 152414 | \$45.50 |
| Serial number | 25836 | \$17.00 |
| Replacement vial 0.001lb to 1/32 oz | 50038 | \$5.25 |
| Lifter bar | 11747 | \$22.25 |

Essential Weight Sets

Class 0

| Set Range | Part # | Price |
|-------------------|---------------|----------|
| 2 g, 200 mg, 1 mg | 186177 | \$390.00 |
| 5 g, 500 mg, 1 mg | 186178 | \$420.00 |

Class 1

| Set Range | Part # | Price |
|---------------------|---------------|------------|
| 20 g, 2 g, 20 mg | 186179 | \$360.00 |
| 100 g, 10 g, 20 mg | 186180 | \$440.00 |
| 100 g, 10 g, 200 mg | 186181 | \$440.00 |
| 200 g, 20 g, 20 mg | 186182 | \$460.00 |
| 200 g, 20 g, 200 mg | 186183 | \$460.00 |
| 200 g, 20 g, 2 g | 186184 | \$480.00 |
| 500 g, 50 g, 200 mg | 186185 | \$610.00 |
| 500 g, 50 g, 2 g | 186186 | \$630.00 |
| 1 kg, 100 g, 2 g | 186187 | \$810.00 |
| 1 kg, 100 g, 20 g | 186188 | \$830.00 |
| 2 kg, 200 g, 2 g | 186189 | \$1,180.00 |
| 2 kg, 200 g, 20 g | 186190 | \$1,200.00 |
| 5 kg, 500 g, 2 g | 186191 | \$1,490.00 |
| 5 kg, 500 g, 20 g | 186192 | \$1,520.00 |
| 100 g, 10 g, 2 g | 191089 | \$480.00 |
| 500 g, 50 g, 20 mg | 191091 | \$690.00 |
| 50 g, 5 g, 200 mg | 191092 | \$470.00 |
| 50 g, 5 g, 2 g | 191093 | \$470.00 |

Standard Features

- Polished stainless steel Type II design
- Sealing cavity
- Density is approximately 7.95 g/cm³
- Special PVC weight case
- Precision tweezers included
- Configurations are ideal for calibration, shift tests and sensitivity tests
- Other configurations available by special order
- Meets USP-41 requirements for intermediate checks
- Includes ISO 17025 Accredited Certificate of Calibration



200g PVC Set Shown, Other Sets Will Vary

CALIBRATION WEIGHTS
ASTM PRECISION

Accessories

| Description | Part # | Price |
|----------------------------|---------------|---------|
| Weight glove, white cotton | 11714 | \$7.25 |
| Tweezer | 11711 | \$5.25 |
| Premium tweezer | 152414 | \$45.50 |
| Lifter bar | 11747 | \$22.25 |

MASS REFERENCE STANDARDS / METRIC SETS

Range: 500 mg

Class 0

Statement of Accuracy not available.

Certificate

| Set Range | Part # | Price | Accredited |
|------------------|--------------|------------|------------|
| 500 mg - 1 mg | 45933 | \$2,250.00 | Included |
| 500 mg - 1 mg* | 96359 | \$2,250.00 | Included |
| 500 mg - 10 mg | 84141 | \$1,660.00 | Included |
| 500 mg - 10 mg* | 98191 | \$1,660.00 | Included |
| 500 mg - 100 mg | 45934 | \$1,160.00 | Included |
| 500 mg - 100 mg* | 96360 | \$1,160.00 | Included |

Class 1

Optional Certificate

| Set Range | Part # | Price | Accredited | Non-accredited |
|------------------|--------------|----------|------------|----------------|
| 500 mg - 1 mg | 12445 | \$695.00 | \$470.00 | \$375.00 |
| 500 mg - 1 mg* | 11910 | \$695.00 | \$470.00 | \$375.00 |
| 500 mg - 10 mg | 12447 | \$515.00 | \$310.00 | \$250.00 |
| 500 mg - 10 mg* | 11909 | \$515.00 | \$310.00 | \$250.00 |
| 500 mg - 100 mg | 45952 | \$480.00 | \$155.00 | \$125.00 |
| 500 mg - 100 mg* | 45944 | \$495.00 | \$155.00 | \$125.00 |

Class 2

Optional Certificate

| Set Range | Part # | Price | Accredited | Non-accredited |
|------------------|--------------|----------|------------|----------------|
| 500 mg - 1 mg | 11838 | \$600.00 | \$470.00 | \$375.00 |
| 500 mg - 1 mg* | 12176 | \$600.00 | \$470.00 | \$375.00 |
| 500 mg - 10 mg | 11848 | \$480.00 | \$310.00 | \$250.00 |
| 500 mg - 10 mg* | 12175 | \$480.00 | \$310.00 | \$250.00 |
| 500 mg - 100 mg | 45953 | \$420.00 | \$155.00 | \$125.00 |
| 500 mg - 100 mg* | 45945 | \$420.00 | \$155.00 | \$125.00 |

Class 3

Optional Certificate

| Set Range | Part # | Price | Accredited | Non-accredited |
|------------------|--------------|----------|------------|----------------|
| 500 mg - 1 mg | 11946 | \$580.00 | \$470.00 | \$375.00 |
| 500 mg - 1 mg* | 12313 | \$580.00 | \$470.00 | \$375.00 |
| 500 mg - 10 mg | 11956 | \$420.00 | \$310.00 | \$250.00 |
| 500 mg - 10 mg* | 12312 | \$420.00 | \$310.00 | \$250.00 |
| 500 mg - 100 mg | 45954 | \$340.00 | \$155.00 | \$125.00 |
| 500 mg - 100 mg* | 45946 | \$340.00 | \$155.00 | \$125.00 |

Class 4

Optional Certificate

| Set Range | Part # | Price | Accredited |
|------------------|--------------|----------|------------|
| 500 mg - 1 mg | 12093 | \$365.00 | \$280.00 |
| 500 mg - 1 mg* | 12416 | \$365.00 | \$280.00 |
| 500 mg - 10 mg | 12103 | \$275.00 | \$190.00 |
| 500 mg - 10 mg* | 12415 | \$275.00 | \$190.00 |
| 500 mg - 100 mg | 45955 | \$220.00 | \$95.00 |
| 500 mg - 100 mg* | 45947 | \$220.00 | \$95.00 |

* 5-2-2-1 configuration

CALIBRATION WEIGHTS
ASTM PRECISION

Replacement Cases

| Main Cases | | |
|---|--------------|----------|
| Class 0 (Includes leaf weight lid and slot for tweezer) | | |
| Set Range | Part # | Price |
| 500 mg - 1 mg | 34699 | \$135.00 |
| 500 mg - 1 mg | 34699 | \$135.00 |
| 500 mg - 10 mg | 34699 | \$135.00 |
| 500 mg - 10 mg | 34699 | \$135.00 |
| 500 mg - 100 mg | 34699 | \$135.00 |
| 500 mg - 100 mg | 34699 | \$135.00 |

| Main Case | | |
|---|--------------|---------|
| Class 1, 2, 3 and 4 (Includes leaf weight lid and slot for tweezer) | | |
| Set Range | Part # | Price |
| 500 mg - 1 mg | 11763 | \$90.00 |
| 500 mg - 1 mg | 11763 | \$90.00 |
| 500 mg - 10 mg | 11763 | \$90.00 |
| 500 mg - 10 mg | 11763 | \$90.00 |
| 500 mg - 100 mg | 11763 | \$90.00 |
| 500 mg - 100 mg | 11763 | \$90.00 |

MASS REFERENCE STANDARDS / METRIC SETS

Range: 500 mg

Weight Set Contents

| 5-2-2-1 | | 5-2-2-1 | | 5-2-2-1 | |
|----------------------------------|---------------------------------|--------------------------------|--------------------------------|-------------------------------|--------------------------------|
| 500 mg - 1 mg | 500 mg - 1 mg | 500 mg - 10 mg | 500 mg - 10 mg | 500 mg - 100 mg | 500 mg - 100 mg |
| 45933 Class 0 | 96359 Class 0 | 84141 Class 0 | 98191 Class 0 | 45934 Class 0 | 96360 Class 0 |
| 12445 Class 1 | 11910 Class 1 | 12447 Class 1 | 11909 Class 1 | 45952 Class 1 | 45944 Class 1 |
| 11838 Class 2 | 12176 Class 2 | 11848 Class 2 | 12175 Class 2 | 45953 Class 2 | 45945 Class 2 |
| 11946 Class 3 | 12313 Class 3 | 11956 Class 3 | 12312 Class 3 | 45954 Class 3 | 45946 Class 3 |
| 12093 Class 4 | 12416 Class 4 | 12103 Class 4 | 12415 Class 4 | 45955 Class 4 | 45947 Class 4 |
| (1) 500 mg | (1) 500 mg | (1) 500 mg | (1) 500 mg | (1) 500 mg | (1) 500 mg |
| (1) 300 mg | – | (1) 300 mg | – | (1) 300 mg | – |
| (1) 200 mg | (2) 200 mg | (1) 200 mg | (2) 200 mg | (1) 200 mg | (2) 200 mg |
| (1) 100 mg | (1) 100 mg | (1) 100 mg | (1) 100 mg | (1) 100 mg | (1) 100 mg |
| (1) 50 mg | (1) 50 mg | (1) 50 mg | (1) 50 mg | | |
| (1) 30 mg | – | (1) 30 mg | – | | |
| (1) 20 mg | (2) 20 mg | (1) 20 mg | (2) 20 mg | | |
| (1) 10 mg | (1) 10 mg | (1) 10 mg | (1) 10 mg | | |
| (1) 5 mg | (1) 5 mg | | | | |
| (1) 3 mg | – | | | | |
| (1) 2 mg | (2) 2 mg | | | | |
| (1) 1 mg | (1) 1 mg | | | | |
| 12 pcs. 1.221g set wt. | 12 pcs. 1.11g set wt. | 8 pcs. 1.21g set wt. | 8 pcs. 1.11g set wt. | 4 pcs. 1.1g set wt. | 4 pcs. 0.8 g set wt. |

**CALIBRATION WEIGHTS
ASTM PRECISION**



PN 12093 Set Includes Tweezer and Glove

Accessories

| Description | Part # | Price |
|----------------------------|---------------|---------|
| Statement of Accuracy | 36092 | \$47.50 |
| Weight glove, white cotton | 11714 | \$7.25 |
| Tweezer | 11711 | \$5.25 |
| Premium tweezer | 152414 | \$45.50 |
| Serial number | 25836 | \$17.00 |

MASS REFERENCE STANDARDS / METRIC SETS

Range: 20 g

Class 0

(Statement of Accuracy not available)

Certificate

| Set Range | Part # | Price |
|---------------|--------------|------------|
| 20 g - 1 mg | 84154 | \$3,075.00 |
| 20 g - 5 mg | 84149 | \$3,300.00 |
| 20 g - 10 mg | 84148 | \$3,050.00 |
| 20 g - 100 mg | 84146 | \$2,290.00 |
| 20 g - 1 g | 84155 | \$1,660.00 |

| Accredited |
|------------|
| Included |
| Included |
| Included |
| Included |
| Included |

Class 1

Optional Certificate

| Set Range | Part # | Price |
|----------------|--------------|------------|
| 20 g - 1 mg | 12448 | \$1,200.00 |
| 20 g - 1 mg* | 11908 | \$1,200.00 |
| 20 g - 5 mg | 12450 | \$1,030.00 |
| 20 g - 5 mg* | 11907 | \$1,030.00 |
| 20 g - 10 mg | 12451 | \$990.00 |
| 20 g - 10 mg* | 11906 | \$990.00 |
| 20 g - 100 mg | 84145 | \$835.00 |
| 20 g - 100 mg* | 11905 | \$835.00 |
| 20 g - 1 g | 12452 | \$695.00 |
| 20 g - 1 g* | 11904 | \$695.00 |

| Accredited | Non-accredited |
|------------|----------------|
| \$705.00 | \$560.00 |
| \$705.00 | \$560.00 |
| \$595.00 | \$470.00 |
| \$595.00 | \$470.00 |
| \$545.00 | \$440.00 |
| \$545.00 | \$440.00 |
| \$390.00 | \$310.00 |
| \$390.00 | \$310.00 |
| \$235.00 | \$190.00 |
| \$235.00 | \$190.00 |

Class 2

Optional Certificate

| Set Range | Part # | Price |
|----------------|--------------|------------|
| 20 g - 1 mg | 11853 | \$1,000.00 |
| 20 g - 1 mg* | 12174 | \$1,000.00 |
| 20 g - 5 mg | 11858 | \$885.00 |
| 20 g - 5 mg* | 12172 | \$885.00 |
| 20 g - 10 mg | 11863 | \$810.00 |
| 20 g - 10 mg* | 12171 | \$810.00 |
| 20 g - 100 mg | 84144 | \$705.00 |
| 20 g - 100 mg* | 12170 | \$705.00 |
| 20 g - 1 g | 11868 | \$600.00 |
| 20 g - 1 g* | 12169 | \$600.00 |

| Accredited | Non-accredited |
|------------|----------------|
| \$705.00 | \$560.00 |
| \$705.00 | \$560.00 |
| \$595.00 | \$470.00 |
| \$595.00 | \$470.00 |
| \$545.00 | \$440.00 |
| \$545.00 | \$440.00 |
| \$390.00 | \$310.00 |
| \$390.00 | \$310.00 |
| \$235.00 | \$190.00 |
| \$235.00 | \$190.00 |

Class 3

Optional Certificate

| Set Range | Part # | Price |
|----------------|--------------|----------|
| 20 g - 1 mg | 11961 | \$905.00 |
| 20 g - 1 mg* | 12311 | \$905.00 |
| 20 g - 5 mg | 11966 | \$815.00 |
| 20 g - 5 mg* | 12309 | \$815.00 |
| 20 g - 10 mg | 11971 | \$735.00 |
| 20 g - 10 mg* | 22188 | \$735.00 |
| 20 g - 100 mg | 84143 | \$660.00 |
| 20 g - 100 mg* | 22187 | \$660.00 |
| 20 g - 1 g | 11976 | \$520.00 |
| 20 g - 1 g* | 22186 | \$520.00 |

| Accredited | Non-accredited |
|------------|----------------|
| \$705.00 | \$560.00 |
| \$705.00 | \$560.00 |
| \$595.00 | \$470.00 |
| \$595.00 | \$470.00 |
| \$545.00 | \$440.00 |
| \$545.00 | \$440.00 |
| \$390.00 | \$310.00 |
| \$390.00 | \$310.00 |
| \$235.00 | \$190.00 |
| \$235.00 | \$190.00 |

Class 4

Optional Certificate

| Set Range | Part # | Price |
|----------------|--------------|----------|
| 20 g - 1 mg | 12108 | \$685.00 |
| 20 g - 1 mg* | 12414 | \$685.00 |
| 20 g - 5 mg | 12113 | \$640.00 |
| 20 g - 5 mg* | 12412 | \$640.00 |
| 20 g - 10 mg | 12118 | \$610.00 |
| 20 g - 10 mg* | 12411 | \$610.00 |
| 20 g - 100 mg | 84142 | \$510.00 |
| 20 g - 100 mg* | 12410 | \$510.00 |
| 20 g - 1 g | 12123 | \$415.00 |
| 20 g - 1 g* | 12409 | \$415.00 |

| Accredited |
|------------|
| \$430.00 |
| \$430.00 |
| \$355.00 |
| \$355.00 |
| \$325.00 |
| \$325.00 |
| \$235.00 |
| \$235.00 |
| \$140.00 |
| \$140.00 |

* 5-2-2-1 configuration



PN 12108 Set Includes Lifting Device, Glove and Case

**CALIBRATION WEIGHTS
ASTM PRECISION**

MASS REFERENCE STANDARDS / METRIC SETS

Range: 20 g

Weight Set Contents

| 5-2-2-1 | | 5-2-2-1 | | 5-2-2-1 | | 5-2-2-1 | | 5-2-2-1 | |
|----------------------------|----------------------------|----------------------------|----------------------------|----------------------------|--------------------------|------------------------|------------------------|-----------------------|-----------------------|
| 20 g - 1mg | 20 g - 1mg | 20 g - 5mg | 20 g - 5mg | 20 g - 10mg | 20 g - 10mg | 20 g - 100mg | 20 g - 100mg | 20 g - 1g | 20 g - 1g |
| 84154 Class 0 | – | 84149 Class 0 | – | 84148 Class 0 | – | 84146 Class 0 | – | 84155 Class 0 | – |
| 12448 Class 1 | 11908 Class 1 | 12450 Class 1 | 11907 Class 1 | 12451 Class 1 | 11906 Class 1 | 84145 Class 1 | 11905 Class 1 | 12452 Class 1 | 11904 Class 1 |
| 11853 Class 2 | 12174 Class 2 | 11858 Class 2 | 12172 Class 2 | 11863 Class 2 | 12171 Class 2 | 84144 Class 2 | 12170 Class 2 | 11868 Class 2 | 12169 Class 2 |
| 11961 Class 3 | 12311 Class 3 | 11966 Class 3 | 12309 Class 3 | 11971 Class 3 | 22188 Class 3 | 84143 Class 3 | 22187 Class 3 | 11976 Class 3 | 22186 Class 3 |
| 12108 Class 4 | 12414 Class 4 | 12113 Class 4 | 12412 Class 4 | 12118 Class 4 | 12411 Class 4 | 84142 Class 4 | 12410 Class 4 | 12123 Class 4 | 12409 Class 4 |
| (1) 20 g | (1) 20 g | (1) 20 g | (1) 20 g | (1) 20 g | (1) 20 g | (1) 20 g | (1) 20 g | (1) 20 g | (1) 20 g |
| (1) 10 g | (1) 10 g | (1) 10 g | (1) 10 g | (1) 10 g | (1) 10 g | (1) 10 g | (1) 10 g | (1) 10 g | (1) 10 g |
| (1) 5 g | (1) 5 g | (1) 5 g | (1) 5 g | (1) 5 g | (1) 5 g | (1) 5 g | (1) 5 g | (1) 5 g | (1) 5 g |
| (1) 3 g | – | (1) 3 g | – | (1) 3 g | – | (1) 3 g | – | (1) 3 g | – |
| (1) 2 g | (2) 2 g | (1) 2 g | (2) 2 g | (1) 2 g | (2) 2 g | (1) 2 g | (2) 2 g | (1) 2 g | (2) 2 g |
| (1) 1 g | (1) 1 g | (1) 1 g | (1) 1 g | (1) 1 g | (1) 1 g | (1) 1 g | (1) 1 g | (1) 1 g | (1) 1 g |
| (1) 500 mg | (1) 500 mg | (1) 500 mg | (1) 500 mg | (1) 500 mg | (1) 500 mg | (1) 500 mg | (1) 500 mg | (1) 500 mg | |
| (1) 300 mg | – | (1) 300 mg | – | (1) 300 mg | – | (1) 300 mg | – | | |
| (1) 200 mg | (2) 200 mg | (1) 200 mg | (2) 200 mg | (1) 200 mg | (2) 200 mg | (1) 200 mg | (2) 200 mg | | |
| (1) 100 mg | (1) 100 mg | (1) 100 mg | (1) 100 mg | (1) 100 mg | (1) 100 mg | (1) 100 mg | (1) 100 mg | | |
| (1) 50 mg | (1) 50 mg | (1) 50 mg | (1) 50 mg | (1) 50 mg | (1) 50 mg | | | | |
| (1) 30 mg | – | (1) 30 mg | – | (1) 30 mg | – | | | | |
| (1) 20 mg | (2) 20 mg | (1) 20 mg | (2) 20 mg | (1) 20 mg | (2) 20 mg | | | | |
| (1) 10 mg | (1) 10 mg | (1) 10 mg | (1) 10 mg | (1) 10 mg | (1) 10 mg | | | | |
| (1) 5 mg | (1) 5 mg | (1) 5 mg | (1) 5 mg | | | | | | |
| (1) 3 mg | – | | | | | | | | |
| (1) 2 mg | (2) 2 mg | | | | | | | | |
| (1) 1 mg | (1) 1 mg | | | | | | | | |
| 18 pcs. 42.221g set wt. | 18 pcs. 42.221g set wt. | 15 pcs. 42.215g set wt. | 15 pcs. 42.215g set wt. | 14 pcs. 42.421g set wt. | 14 pcs. 41.1g set wt. | 10 pcs. 41g set wt. | 10 pcs. 41g set wt. | 6 pcs. 41g set wt. | 6 pcs. 40g set wt. |

**CALIBRATION WEIGHTS
ASTM PRECISION**

Replacement Cases

| Main Cases | | |
|--------------|--------------|----------|
| Class 0 | | |
| Set Range | Part # | Price |
| 20 g - 1mg | 49503 | \$265.00 |
| 20 g - 5 mg | 49503 | \$265.00 |
| 20 g - 10 mg | 49503 | \$265.00 |
| 20 g - 100mg | 49503 | \$265.00 |
| 20 g - 1g | 49503 | \$265.00 |

| Main Case | | |
|---------------------|--------------|----------|
| Class 1, 2, 3 and 4 | | |
| Set Range | Part # | Price |
| 20 g - 1mg | 11596 | \$190.00 |
| 20 g - 1mg | 11588 | \$190.00 |
| 20 g - 5 mg | 11596 | \$190.00 |
| 20 g - 5 mg | 11588 | \$190.00 |
| 20 g - 10 mg | 11596 | \$190.00 |
| 20 g - 10 mg | 11588 | \$190.00 |
| 20 g - 100 mg | 11596 | \$190.00 |
| 20 g - 100 mg | 11588 | \$190.00 |
| 20 g - 1g | 11596 | \$190.00 |
| 20 g - 1g | 11588 | \$190.00 |

Accessories

| Description | Part # | Price |
|----------------------------|---------------|---------|
| Statement of Accuracy | 36092 | \$47.50 |
| Weight glove, white cotton | 11714 | \$7.25 |
| Tweezer | 11711 | \$5.25 |
| Premium tweezer | 152414 | \$45.50 |
| Serial number | 25836 | \$17.00 |
| Leaf weight cover | 11755 | \$45.50 |

MASS REFERENCE STANDARDS / METRIC SETS

Range: 50 g

Class 0

Statement of Accuracy not available.

Certificate

| Set Range | Part # | Price |
|---------------|--------------|------------|
| 50 g - 1 mg | 84177 | \$3,975.00 |
| 50 g - 5 mg | 84176 | \$3,725.00 |
| 50 g - 10 mg | 84164 | \$3,375.00 |
| 50 g - 100 mg | 84163 | \$2,550.00 |
| 50 g - 1 g | 84178 | \$1,990.00 |

| Accredited |
|------------|
| Included |
| Included |
| Included |
| Included |
| Included |

Class 1

Optional Certificate

| Set Range | Part # | Price |
|----------------|--------------|------------|
| 50 g - 1 mg | 12453 | \$1,180.00 |
| 50 g - 1 mg* | 11903 | \$1,180.00 |
| 50 g - 5 mg | 12454 | \$1,100.00 |
| 50 g - 5 mg* | 11902 | \$1,100.00 |
| 50 g - 10 mg | 12455 | \$1,040.00 |
| 50 g - 10 mg* | 11900 | \$1,040.00 |
| 50 g - 100 mg | 84159 | \$900.00 |
| 50 g - 100 mg* | 11899 | \$900.00 |
| 50 g - 1 g | 12456 | \$750.00 |
| 50 g - 1 g* | 11898 | \$765.00 |

| Accredited | Non-accredited |
|------------|----------------|
| \$790.00 | \$630.00 |
| \$790.00 | \$630.00 |
| \$670.00 | \$530.00 |
| \$670.00 | \$530.00 |
| \$630.00 | \$500.00 |
| \$630.00 | \$500.00 |
| \$470.00 | \$375.00 |
| \$470.00 | \$375.00 |
| \$310.00 | \$250.00 |
| \$310.00 | \$250.00 |

Class 2

Optional Certificate

| Set Range | Part # | Price |
|----------------|--------------|------------|
| 50 g - 1 mg | 11873 | \$1,040.00 |
| 50 g - 1 mg* | 12167 | \$1,040.00 |
| 50 g - 5 mg | 11879 | \$945.00 |
| 50 g - 5 mg* | 12165 | \$945.00 |
| 50 g - 10 mg | 11880 | \$900.00 |
| 50 g - 10 mg* | 12163 | \$900.00 |
| 50 g - 100 mg | 84160 | \$720.00 |
| 50 g - 100 mg* | 12162 | \$720.00 |
| 50 g - 1 g | 11890 | \$650.00 |
| 50 g - 1 g* | 12161 | \$650.00 |

| Accredited | Non-accredited |
|------------|----------------|
| \$790.00 | \$630.00 |
| \$790.00 | \$630.00 |
| \$670.00 | \$530.00 |
| \$670.00 | \$530.00 |
| \$630.00 | \$500.00 |
| \$630.00 | \$500.00 |
| \$470.00 | \$375.00 |
| \$470.00 | \$375.00 |
| \$310.00 | \$250.00 |
| \$310.00 | \$250.00 |

Class 3

Optional Certificate

| Set Range | Part # | Price |
|----------------|--------------|----------|
| 50 g - 1 mg | 11982 | \$975.00 |
| 50 g - 1 mg* | 22288 | \$975.00 |
| 50 g - 5 mg | 11988 | \$860.00 |
| 50 g - 5 mg* | 22182 | \$860.00 |
| 50 g - 10 mg | 11989 | \$825.00 |
| 50 g - 10 mg* | 22181 | \$825.00 |
| 50 g - 100 mg | 84161 | \$685.00 |
| 50 g - 100 mg* | 12300 | \$685.00 |
| 50 g - 1 g | 12004 | \$595.00 |
| 50 g - 1 g* | 12299 | \$595.00 |

| Accredited | Non-accredited |
|------------|----------------|
| \$790.00 | \$630.00 |
| \$790.00 | \$630.00 |
| \$670.00 | \$530.00 |
| \$670.00 | \$530.00 |
| \$630.00 | \$500.00 |
| \$630.00 | \$500.00 |
| \$470.00 | \$375.00 |
| \$470.00 | \$375.00 |
| \$310.00 | \$250.00 |
| \$310.00 | \$250.00 |

Class 4

Optional Certificate

| Set Range | Part # | Price |
|----------------|--------------|----------|
| 50 g - 1 mg | 12128 | \$825.00 |
| 50 g - 1 mg* | 12407 | \$825.00 |
| 50 g - 5 mg | 12134 | \$755.00 |
| 50 g - 5 mg* | 12405 | \$755.00 |
| 50 g - 10 mg | 12135 | \$725.00 |
| 50 g - 10 mg* | 12404 | \$725.00 |
| 50 g - 100 mg | 84162 | \$620.00 |
| 50 g - 100 mg* | 12403 | \$620.00 |
| 50 g - 1 g | 12150 | \$520.00 |
| 50 g - 1 g* | 12402 | \$520.00 |

| Accredited |
|------------|
| \$475.00 |
| \$475.00 |
| \$400.00 |
| \$400.00 |
| \$380.00 |
| \$380.00 |
| \$280.00 |
| \$280.00 |
| \$190.00 |
| \$190.00 |

* 5-2-2-1 configuration



PN 12453 Set Includes Lifting Device, Glove and Case

**CALIBRATION WEIGHTS
ASTM PRECISION**

MASS REFERENCE STANDARDS / METRIC SETS

Range: 50 g

Weight Set Contents

| 5-2-2-1 | | 5-2-2-1 | | 5-2-2-1 | | 5-2-2-1 | | 5-2-2-1 | |
|-----------------------------|----------------------------|-----------------------------|-----------------------------|----------------------------|---------------------------|---------------------------|-------------------------|------------------------|------------------------|
| 50 g - 1mg | 50 g - 1mg | 50 g - 5mg | 50 g - 5mg | 50 g - 10mg | 50 g - 10mg | 50 g - 100mg | 50 g - 100mg | 50 g - 1g | 50 g - 1g |
| 84177 Class 0 | – | 84176 Class 0 | – | 84164 Class 0 | – | 84163 Class 0 | – | 84178 Class 0 | – |
| 12453 Class 1 | 11903 Class 1 | 12454 Class 1 | 11902 Class 1 | 12455 Class 1 | 11900 Class 1 | 84159 Class 1 | 11899 Class 1 | 12456 Class 1 | 11898 Class 1 |
| 11873 Class 2 | 12167 Class 2 | 11879 Class 2 | 12165 Class 2 | 11880 Class 2 | 12163 Class 2 | 84160 Class 2 | 12162 Class 2 | 11890 Class 2 | 12161 Class 2 |
| 11982 Class 3 | 22288 Class 3 | 11988 Class 3 | 22182 Class 3 | 11989 Class 3 | 22181 Class 3 | 84161 Class 3 | 12300 Class 3 | 12004 Class 3 | 12299 Class 3 |
| 12128 Class 4 | 12407 Class 4 | 12134 Class 4 | 12405 Class 4 | 12135 Class 4 | 12404 Class 4 | 84162 Class 4 | 12403 Class 4 | 12150 Class 4 | 12402 Class 4 |
| (1) 50 g | (1) 50 g | (1) 50 g | (1) 50 g | (1) 50 g | (1) 50 g | (1) 50 g | (1) 50 g | (1) 50 g | (1) 50 g |
| (1) 30 g | – | (1) 30 g | – | (1) 30 g | – | (1) 30 g | – | (1) 30 g | – |
| (1) 20 g | (2) 20 g | (1) 20 g | (2) 20 g | (1) 20 g | (2) 20 g | (1) 20 g | (2) 20 g | (1) 20 g | (2) 20 g |
| (1) 10 g | (1) 10 g | (1) 10 g | (1) 10 g | (1) 10 g | (1) 10 g | (1) 10 g | (1) 10 g | (1) 10 g | (1) 10 g |
| (1) 5 g | (1) 5 g | (1) 5 g | (1) 5 g | (1) 5 g | (1) 5 g | (1) 5 g | (1) 5 g | (1) 5 g | (1) 5 g |
| (1) 3 g | – | (1) 3 g | – | (1) 3 g | – | (1) 3 g | – | (1) 3 g | – |
| (1) 2 g | (2) 2 g | (1) 2 g | (2) 2 g | (1) 2 g | (2) 2 g | (1) 2 g | (2) 2 g | (1) 2 g | (2) 2 g |
| (1) 1 g | (1) 1 g | (1) 1 g | (1) 1 g | (1) 1 g | (1) 1 g | (1) 1 g | (1) 1 g | (1) 1 g | (1) 1 g |
| (1) 500 mg | (1) 500 mg | (1) 500 mg | (1) 500 mg | (1) 500 mg | (1) 500 mg | (1) 500 mg | (1) 500 mg | | |
| (1) 300 mg | – | (1) 300 mg | – | (1) 300 mg | – | (1) 300 mg | – | | |
| (1) 200 mg | (2) 200 mg | (1) 200 mg | (2) 200 mg | (1) 200 mg | (2) 200 mg | (1) 200 mg | (2) 200 mg | | |
| (1) 100 mg | (1) 100 mg | (1) 100 mg | (1) 100 mg | (1) 100 mg | (1) 100 mg | (1) 100 mg | (1) 100 mg | | |
| (1) 50 mg | (1) 50 mg | (1) 50 mg | (1) 50 mg | (1) 50 mg | (1) 50 mg | | | | |
| (1) 30 mg | – | (1) 30 mg | – | (1) 30 mg | – | | | | |
| (1) 20 mg | (2) 20 mg | (1) 20 mg | (2) 20 mg | (1) 20 mg | (2) 20 mg | | | | |
| (1) 10 mg | (1) 10 mg | (1) 10 mg | (1) 10 mg | (1) 10 mg | (1) 10 mg | | | | |
| (1) 5 mg | (1) 5 mg | (1) 5 mg | (1) 5 mg | | | | | | |
| (1) 3 mg | – | | | | | | | | |
| (1) 2 mg | (2) 2 mg | | | | | | | | |
| (1) 1 mg | (1) 1 mg | | | | | | | | |
| 20 pcs. 122.221g set wt. | 20 pcs. 111.11g set wt. | 17 pcs. 122.215g set wt. | 17 pcs. 111.105g set wt. | 16 pcs. 122.21g set wt. | 16 pcs. 111.1g set wt. | 12 pcs. 122.1g set wt. | 12 pcs. 111g set wt. | 8 pcs. 121g set wt. | 8 pcs. 110g set wt. |

**CALIBRATION WEIGHTS
ASTM PRECISION**

Replacement Cases

| Main Cases | | |
|--------------|--------------|----------|
| Class 0 | | |
| Set Range | Part # | Price |
| 50 g - 1mg | 49503 | \$265.00 |
| 50 g - 5mg | 49503 | \$265.00 |
| 50 g - 10mg | 49503 | \$265.00 |
| 50 g - 100mg | 49503 | \$265.00 |
| 50 g - 1g | 49503 | \$265.00 |

| Main Case | | |
|---------------------|--------------|----------|
| Class 1, 2, 3 and 4 | | |
| Set Range | Part # | Price |
| 50 g - 1mg | 11596 | \$190.00 |
| 50 g - 1mg | 11588 | \$190.00 |
| 50 g - 5mg | 11596 | \$190.00 |
| 50 g - 5mg | 11588 | \$190.00 |
| 50 g - 10mg | 11596 | \$190.00 |
| 50 g - 10mg | 11588 | \$190.00 |
| 50 g - 100mg | 11596 | \$190.00 |
| 50 g - 100mg | 11588 | \$190.00 |
| 50 g - 1g | 11596 | \$190.00 |
| 50 g - 1g | 11588 | \$190.00 |

Accessories

| Description | Part # | Price |
|----------------------------|---------------|---------|
| Statement of Accuracy | 36092 | \$47.50 |
| Weight glove, white cotton | 11714 | \$7.25 |
| Tweezer | 11711 | \$5.25 |
| Premium tweezer | 152414 | \$45.50 |
| Serial number | 25836 | \$17.00 |
| Leaf weight cover | 11755 | \$45.50 |

MASS REFERENCE STANDARDS / METRIC SETS

Range: 100 g

Class 0

Statement of Accuracy not available

Certificate

| Set Range | Part # | Price |
|----------------|--------------|------------|
| 100 g - 1 mg | 45930 | \$4,375.00 |
| 100 g - 5 mg | 84211 | \$3,825.00 |
| 100 g - 10 mg | 84212 | \$3,525.00 |
| 100 g - 100 mg | 45931 | \$2,925.00 |
| 100 g - 1 g | 45932 | \$2,120.00 |

| Accredited |
|------------|
| Included |
| Included |
| Included |
| Included |
| Included |

Class 1

Optional Certificate

| Set Range | Part # | Price |
|-----------------|--------------|------------|
| 100 g - 1 mg | 12457 | \$1,280.00 |
| 100 g - 1 mg* | 11897 | \$1,280.00 |
| 100 g - 5 mg | 11911 | \$1,140.00 |
| 100 g - 5 mg* | 11896 | \$1,140.00 |
| 100 g - 10 mg | 12460 | \$1,120.00 |
| 100 g - 10 mg* | 11895 | \$1,120.00 |
| 100 g - 100 mg | 45956 | \$905.00 |
| 100 g - 100 mg* | 45948 | \$905.00 |
| 100 g - 1 g | 12461 | \$815.00 |
| 100 g - 1 g* | 11894 | \$815.00 |

| Accredited | Non-accredited |
|------------|----------------|
| \$830.00 | \$620.00 |
| \$830.00 | \$620.00 |
| \$705.00 | \$540.00 |
| \$705.00 | \$540.00 |
| \$670.00 | \$530.00 |
| \$670.00 | \$530.00 |
| \$510.00 | \$405.00 |
| \$510.00 | \$405.00 |
| \$355.00 | \$280.00 |
| \$355.00 | \$280.00 |

Class 2

Optional Certificate

| Set Range | Part # | Price |
|-----------------|--------------|------------|
| 100 g - 1 mg | 11901 | \$1,120.00 |
| 100 g - 1 mg* | 12160 | \$1,120.00 |
| 100 g - 5 mg | 12158 | \$995.00 |
| 100 g - 5 mg* | - | Consult |
| 100 g - 10 mg | 11912 | \$975.00 |
| 100 g - 10 mg* | 12157 | \$975.00 |
| 100 g - 100 mg | 45957 | \$945.00 |
| 100 g - 100 mg* | 45949 | \$945.00 |
| 100 g - 1 g | 11913 | \$815.00 |
| 100 g - 1 g* | 12156 | \$805.00 |

| Accredited | Non-accredited |
|------------|----------------|
| \$830.00 | \$620.00 |
| \$830.00 | \$620.00 |
| \$705.00 | \$540.00 |
| \$705.00 | \$540.00 |
| \$670.00 | \$530.00 |
| \$670.00 | \$530.00 |
| \$510.00 | \$405.00 |
| \$510.00 | \$405.00 |
| \$355.00 | \$280.00 |
| \$355.00 | \$280.00 |

Class 3

Optional Certificate

| Set Range | Part # | Price |
|-----------------|--------------|------------|
| 100 g - 1 mg | 12018 | \$1,050.00 |
| 100 g - 1 mg* | 12298 | \$1,050.00 |
| 100 g - 5 mg | 12031 | \$930.00 |
| 100 g - 5 mg* | 12296 | \$930.00 |
| 100 g - 10 mg | 12035 | \$925.00 |
| 100 g - 10 mg* | 12295 | \$925.00 |
| 100 g - 100 mg | 45958 | \$880.00 |
| 100 g - 100 mg* | 45950 | \$880.00 |
| 100 g - 1 g | 12045 | \$785.00 |
| 100 g - 1 g* | 12294 | \$785.00 |

| Accredited | Non-accredited |
|------------|----------------|
| \$830.00 | \$620.00 |
| \$830.00 | \$620.00 |
| \$705.00 | \$540.00 |
| \$705.00 | \$540.00 |
| \$670.00 | \$530.00 |
| \$670.00 | \$530.00 |
| \$510.00 | \$405.00 |
| \$510.00 | \$405.00 |
| \$355.00 | \$280.00 |
| \$355.00 | \$280.00 |

Class 4

Optional Certificate

| Set Range | Part # | Price |
|-----------------|--------------|----------|
| 100 g - 1 mg | 12164 | \$960.00 |
| 100 g - 1 mg* | 12401 | \$960.00 |
| 100 g - 5 mg | 12177 | \$930.00 |
| 100 g - 5 mg* | 12399 | \$930.00 |
| 100 g - 10 mg | 12181 | \$925.00 |
| 100 g - 10 mg* | 12398 | \$925.00 |
| 100 g - 100 mg | 45959 | \$780.00 |
| 100 g - 100 mg* | 45951 | \$780.00 |
| 100 g - 1 g | 12191 | \$680.00 |
| 100 g - 1 g* | 12397 | \$680.00 |

| Accredited |
|------------|
| \$505.00 |
| \$505.00 |
| \$430.00 |
| \$430.00 |
| \$395.00 |
| \$395.00 |
| \$305.00 |
| \$305.00 |
| \$215.00 |
| \$215.00 |

* 5-2-2-1 configuration



PN 12457 Set Includes Lifting Device, Glove and Case

**CALIBRATION WEIGHTS
ASTM PRECISION**

MASS REFERENCE STANDARDS / METRIC SETS

Range: 100 g

Weight Set Contents

| 5-2-2-1 | | 5-2-2-1 | | 5-2-2-1 | | 5-2-2-1 | | 5-2-2-1 | |
|-----------------------------|----------------------------|-----------------------------|-----------------------------|----------------------------|---------------------------|---------------------------|-------------------------|------------------------|------------------------|
| 100 g - 1mg | 100 g - 1mg | 100 g - 5mg | 100 g - 5mg | 100 g - 10mg | 100 g - 10mg | 100 g - 100mg | 100 g - 100mg | 100 g - 1g | 100 g - 1g |
| 45930 Class 0 | – | 84211 Class 0 | – | 84212 Class 0 | – | 45931 Class 0 | – | 45932 Class 0 | – |
| 12457 Class 1 | 11897 Class 1 | 11911 Class 1 | 11896 Class 1 | 12460 Class 1 | 11895 Class 1 | 45956 Class 1 | 45948 Class 1 | 12461 Class 1 | 11894 Class 1 |
| 11901 Class 2 | 12160 Class 2 | 12158 Class 2 | – | 11912 Class 2 | 12157 Class 2 | 45957 Class 2 | 45949 Class 2 | 11913 Class 2 | 12156 Class 2 |
| 12018 Class 3 | 12298 Class 3 | 12031 Class 3 | 12296 Class 3 | 12035 Class 3 | 12295 Class 3 | 45958 Class 3 | 45950 Class 3 | 12045 Class 3 | 12294 Class 3 |
| 12164 Class 4 | 12401 Class 4 | 12177 Class 4 | 12399 Class 4 | 12181 Class 4 | 12398 Class 4 | 45959 Class 4 | 45951 Class 4 | 12191 Class 4 | 12397 Class 4 |
| (1) 100 g | (1) 100 g | (1) 100 g | (1) 100 g | (1) 100 g | (1) 100 g | (1) 100 g | (1) 100 g | (1) 100 g | (1) 100 g |
| (1) 50 g | (1) 50 g | (1) 50 g | (1) 50 g | (1) 50 g | (1) 50 g | (1) 50 g | (1) 50 g | (1) 50 g | (1) 50 g |
| (1) 30 g | – | (1) 30 g | – | (1) 30 g | – | (1) 30 g | – | (1) 30 g | – |
| (1) 20 g | (2) 20 g | (1) 20 g | (2) 20 g | (1) 20 g | (2) 20 g | (1) 20 g | (2) 20 g | (1) 20 g | (2) 20 g |
| (1) 10 g | (1) 10 g | (1) 10 g | (1) 10 g | (1) 10 g | (1) 10 g | (1) 10 g | (1) 10 g | (1) 10 g | (1) 10 g |
| (1) 5 g | (1) 5 g | (1) 5 g | (1) 5 g | (1) 5 g | (1) 5 g | (1) 5 g | (1) 5 g | (1) 5 g | (1) 5 g |
| (1) 3 g | – | (1) 3 g | – | (1) 3 g | – | (1) 3 g | – | (1) 3 g | – |
| (1) 2 g | (2) 2 g | (1) 2 g | (2) 2 g | (1) 2 g | (2) 2 g | (1) 2 g | (2) 2 g | (1) 2 g | (2) 2 g |
| (1) 1 g | (1) 1 g | (1) 1 g | (1) 1 g | (1) 1 g | (1) 1 g | (1) 1 g | (1) 1 g | (1) 1 g | (1) 1 g |
| (1) 500 mg | (1) 500 mg | (1) 500 mg | (1) 500 mg | (1) 500 mg | (1) 500 mg | (1) 500 mg | (1) 500 mg | (1) 500 mg | |
| (1) 300 mg | – | (1) 300 mg | – | (1) 300 mg | – | (1) 300 mg | – | (1) 300 mg | |
| (1) 200 mg | (2) 200 mg | (1) 200 mg | (2) 200 mg | (1) 200 mg | (2) 200 mg | (1) 200 mg | (2) 200 mg | (1) 200 mg | |
| (1) 100 mg | (1) 100 mg | (1) 100 mg | (1) 100 mg | (1) 100 mg | (1) 100 mg | (1) 100 mg | (1) 100 mg | (1) 100 mg | |
| (1) 50 mg | (1) 50 mg | (1) 50 mg | (1) 50 mg | (1) 50 mg | (1) 50 mg | | | | |
| (1) 30 mg | – | (1) 30 mg | – | (1) 30 mg | – | | | | |
| (1) 20 mg | (2) 20 mg | (1) 20 mg | (2) 20 mg | (1) 20 mg | (2) 20 mg | | | | |
| (1) 10 mg | (1) 10 mg | (1) 10 mg | (1) 10 mg | (1) 10 mg | (1) 10 mg | | | | |
| (1) 5 mg | (1) 5 mg | (1) 5 mg | (1) 5 mg | | | | | | |
| (1) 3 mg | – | | | | | | | | |
| (1) 2 mg | (2) 2 mg | | | | | | | | |
| (1) 1 mg | (1) 1 mg | | | | | | | | |
| 21 pcs. 222.221g set wt. | 21 pcs. 211.11g set wt. | 18 pcs. 222.215g set wt. | 18 pcs. 211.085g set wt. | 17 pcs. 222.21g set wt. | 17 pcs. 211.1g set wt. | 13 pcs. 222.1g set wt. | 13 pcs. 211g set wt. | 9 pcs. 221g set wt. | 9 pcs. 210g set wt. |

**CALIBRATION WEIGHTS
ASTM PRECISION**

Replacement Cases

| Main Cases | | |
|---------------|--------------|----------|
| Class 0 | | |
| Set Range | Part # | Price |
| 100 g - 1mg | 49503 | \$265.00 |
| 100 g - 5mg | 49503 | \$265.00 |
| 100 g - 10mg | 49503 | \$265.00 |
| 100 g - 100mg | 49503 | \$265.00 |
| 100 g - 1g | 49503 | \$265.00 |

| Main Case | | |
|---------------------|--------------|----------|
| Class 1, 2, 3 and 4 | | |
| Set Range | Part # | Price |
| 100 g - 1mg | 11596 | \$190.00 |
| 100 g - 1mg | 11588 | \$190.00 |
| 100 g - 5mg | 11596 | \$190.00 |
| 100 g - 5mg | 11588 | \$190.00 |
| 100 g - 10mg | 11596 | \$190.00 |
| 100 g - 10mg | 11588 | \$190.00 |
| 100 g - 100mg | 11596 | \$190.00 |
| 100 g - 100mg | 11588 | \$190.00 |
| 100 g - 1g | 11596 | \$190.00 |
| 100 g - 1g | 11588 | \$190.00 |

Accessories

| Description | Part # | Price |
|----------------------------|---------------|---------|
| Statement of Accuracy | 36092 | \$47.50 |
| Weight glove, white cotton | 11714 | \$7.25 |
| Tweezer | 11711 | \$5.25 |
| Premium tweezer | 152414 | \$45.50 |
| Serial number | 25836 | \$17.00 |
| Leaf weight cover | 11755 | \$45.50 |

MASS REFERENCE STANDARDS / METRIC SETS

Range: 200 g

Class 0

Statement of Accuracy not available.

| Set Range | Part # | Price |
|---------------------|---------------|------------|
| 200 g - 1mg | 45927 | \$4,825.00 |
| 200 g - 1mg* | 156298 | \$4,825.00 |
| (2) 200 g - 1mg* | 87039 | \$5,375.00 |
| 200 g - 10 mg | 84213 | \$4,350.00 |
| (2) 200 g - 10 mg* | 87038 | \$4,650.00 |
| 200 g - 100 mg | 45928 | \$3,775.00 |
| (2) 200 g - 100 mg* | 87037 | \$4,025.00 |
| 200 g - 1g | 45929 | \$2,525.00 |
| (2) 200 g - 1g* | 87040 | \$3,000.00 |

Certificate

| Accredited |
|------------|
| Included |
| Included |
| Included |
| Included |
| Included |
| Included |
| Included |
| Included |
| Included |
| Included |

Class 1

| Set Range | Part # | Price |
|---------------------|---------------|------------|
| 200 g - 1mg | 12462 | \$1,360.00 |
| 200 g - 1mg* | 156299 | \$1,360.00 |
| (2) 200 g - 1mg* | 87053 | \$1,440.00 |
| 200 g - 10 mg | 12467 | \$1,240.00 |
| (2) 200 g - 10 mg* | 87049 | \$1,420.00 |
| 200 g - 100 mg | 45960 | \$1,200.00 |
| (2) 200 g - 100 mg* | 87045 | \$1,370.00 |
| 200 g - 1g | 12468 | \$1,010.00 |
| 200 g - 1g* | 11893 | \$1,010.00 |
| (2) 200 g - 1g* | 87057 | \$1,160.00 |

Optional Certificate

| Accredited | Non-accredited |
|------------|----------------|
| \$930.00 | \$660.00 |
| \$930.00 | \$660.00 |
| \$1,020.00 | \$675.00 |
| \$770.00 | \$535.00 |
| \$870.00 | \$625.00 |
| \$610.00 | \$450.00 |
| \$700.00 | \$495.00 |
| \$450.00 | \$325.00 |
| \$450.00 | \$325.00 |
| \$540.00 | \$370.00 |

Class 2

| Set Range | Part # | Price |
|---------------------|---------------|------------|
| 200 g - 1mg | 11914 | \$1,310.00 |
| 200 g - 1mg* | 156300 | \$1,310.00 |
| (2) 200 g - 1mg* | 87054 | \$1,360.00 |
| 200 g - 10 mg | 11916 | \$1,070.00 |
| (2) 200 g - 10 mg* | 87050 | \$1,330.00 |
| 200 g - 100 mg | 45961 | \$1,020.00 |
| (2) 200 g - 100 mg* | 87046 | \$1,300.00 |
| 200 g - 1g | 11917 | \$945.00 |
| 200 g - 1g* | 12154 | \$945.00 |
| (2) 200 g - 1g* | 87058 | \$980.00 |

Optional Certificate

| Accredited | Non-accredited |
|------------|----------------|
| \$930.00 | \$660.00 |
| \$930.00 | \$660.00 |
| \$1,020.00 | \$675.00 |
| \$770.00 | \$535.00 |
| \$870.00 | \$625.00 |
| \$610.00 | \$450.00 |
| \$700.00 | \$495.00 |
| \$450.00 | \$325.00 |
| \$450.00 | \$325.00 |
| \$540.00 | \$370.00 |

Class 3

| Set Range | Part # | Price |
|---------------------|---------------|------------|
| 200 g - 1mg | 12051 | \$1,290.00 |
| 200 g - 1mg* | 156301 | \$1,290.00 |
| (2) 200 g - 1mg* | 87055 | \$1,360.00 |
| 200 g - 10 mg | 12064 | \$1,040.00 |
| (2) 200 g - 10 mg* | 87051 | \$1,300.00 |
| 200 g - 100 mg | 45962 | \$945.00 |
| (2) 200 g - 100 mg* | 87047 | \$1,290.00 |
| 200 g - 1g | 12065 | \$935.00 |
| 200 g - 1g* | 12292 | \$935.00 |
| (2) 200 g - 1g* | 87059 | \$975.00 |

Optional Certificate

| Accredited | Non-accredited |
|------------|----------------|
| \$930.00 | \$660.00 |
| \$930.00 | \$660.00 |
| \$1,020.00 | \$675.00 |
| \$770.00 | \$535.00 |
| \$870.00 | \$625.00 |
| \$610.00 | \$450.00 |
| \$700.00 | \$495.00 |
| \$450.00 | \$325.00 |
| \$450.00 | \$325.00 |
| \$540.00 | \$370.00 |

Class 4

| Set Range | Part # | Price |
|---------------------|---------------|------------|
| 200 g - 1mg | 12197 | \$1,010.00 |
| 200 g - 1mg* | 156302 | \$1,010.00 |
| (2) 200 g - 1mg* | 87056 | \$1,100.00 |
| 200 g - 10 mg | 12210 | \$965.00 |
| (2) 200 g - 10 mg* | 87052 | \$1,050.00 |
| 200 g - 100 mg | 45963 | \$865.00 |
| (2) 200 g - 100 mg* | 87048 | \$1,010.00 |
| 200 g - 1g | 12211 | \$735.00 |
| 200 g - 1g* | 12395 | \$735.00 |
| (2) 200 g - 1g* | 87060 | \$860.00 |

Optional Certificate

| Accredited |
|------------|
| \$530.00 |
| \$530.00 |
| \$560.00 |
| \$440.00 |
| \$470.00 |
| \$340.00 |
| \$375.00 |
| \$245.00 |
| \$245.00 |
| \$280.00 |

Weight Set Contents

5-2-2-1

| 200 g - 1 mg | | 200 g - 1 mg | |
|-------------------------|---------|-------------------------|---------|
| 45927 | Class 0 | 156298 | Class 0 |
| 12462 | Class 1 | 156299 | Class 1 |
| 11914 | Class 2 | 156300 | Class 2 |
| 12051 | Class 3 | 156301 | Class 3 |
| 12197 | Class 4 | 156302 | Class 4 |
| (1) 200 g | | (1) 200 g | |
| (1) 100 g | | (1) 100 g | |
| (1) 50 g | | (1) 50 g | |
| (1) 30 g | | - | |
| (1) 20 g | | (2) 20 g | |
| (1) 10 g | | (1) 10 g | |
| (1) 5 g | | (1) 5 g | |
| (1) 3 g | | - | |
| (1) 2 g | | (2) 2 g | |
| (1) 1g | | (1) 1g | |
| (1) 500 mg | | (1) 500 mg | |
| (1) 300 mg | | - | |
| (1) 200 mg | | (2) 200 mg | |
| (1) 100 mg | | (1) 100 mg | |
| (1) 50 mg | | (1) 50 mg | |
| (1) 30 mg | | - | |
| (1) 20 mg | | (2) 20 mg | |
| (1) 10 mg | | (1) 10 mg | |
| (1) 5 mg | | (1) 5 mg | |
| (1) 3 mg | | - | |
| (1) 2 mg | | (2) 2 mg | |
| (1) 1mg | | (1) 1mg | |
| 22 pcs. | | 22 pcs. | |
| 422.221g set wt. | | 422.221g set wt. | |

CALIBRATION WEIGHTS
ASTM PRECISION



PN 12462 Set Includes Lifting Device, Glove and Case

* 5-2-2-1 configuration

MASS REFERENCE STANDARDS / METRIC SETS

Range: 200 g

Weight Set Contents

| 5-2-2-1 | | 5-2-2-1 | | 5-2-2-1 | | 5-2-2-1 | | 5-2-2-1 | | 5-2-2-1 | |
|---|---|---|--|---------------------------------------|---------------------------------------|---------------------------------------|---------------------------------------|--------------------|--|------------|--|
| (2) 200 g - 1mg | | 200 g - 10 mg | | (2) 200 g - 10 mg | | 200 g - 100 mg | | (2) 200 g - 100 mg | | 200 g - 1g | |
| 87039 Class 0 | 84213 Class 0 | 87038 Class 0 | 45928 Class 0 | 87037 Class 0 | 45929 Class 0 | – | 87040 Class 0 | | | | |
| 87053 Class 1 | 12467 Class 1 | 87049 Class 1 | 45960 Class 1 | 87045 Class 1 | 12468 Class 1 | 11893 Class 1 | 87057 Class 1 | | | | |
| 87054 Class 2 | 11916 Class 2 | 87050 Class 2 | 45961 Class 2 | 87046 Class 2 | 11917 Class 2 | 12154 Class 2 | 87058 Class 2 | | | | |
| 87055 Class 3 | 12064 Class 3 | 87051 Class 3 | 45962 Class 3 | 87047 Class 3 | 12065 Class 3 | 12292 Class 3 | 87059 Class 3 | | | | |
| 87056 Class 4 | 12210 Class 4 | 87052 Class 4 | 45963 Class 4 | 87048 Class 4 | 12211 Class 4 | 12395 Class 4 | 87060 Class 4 | | | | |
| (2) 200 g | (1) 200 g | (2) 200 g | (1) 200 g | (2) 200 g | (1) 200 g | (1) 200 g | (2) 200 g | | | | |
| (1) 100 g | (1) 100 g | (1) 100 g | (1) 100 g | (1) 100 g | (1) 100 g | (1) 100 g | (1) 100 g | | | | |
| (1) 50 g | (1) 50 g | (1) 50 g | (1) 50 g | (1) 50 g | (1) 50 g | (1) 50 g | (1) 50 g | | | | |
| – | (1) 30 g | – | (1) 30 g | – | (1) 30 g | – | – | | | | |
| (2) 20 g | (1) 20 g | (2) 20 g | (1) 20 g | (2) 20 g | (1) 20 g | (2) 20 g | (2) 20 g | | | | |
| (1) 10 g | (1) 10 g | (1) 10 g | (1) 10 g | (1) 10 g | (1) 10 g | (1) 10 g | (1) 10 g | | | | |
| (1) 5 g | (1) 5 g | (1) 5 g | (1) 5 g | (1) 5 g | (1) 5 g | (1) 5 g | (1) 5 g | | | | |
| – | (1) 3 g | – | (1) 3 g | – | (1) 3 g | – | – | | | | |
| (2) 2 g | (1) 2 g | (2) 2 g | (1) 2 g | (2) 2 g | (1) 2 g | (2) 2 g | (2) 2 g | | | | |
| (1) 1g | (1) 1g | (1) 1g | (1) 1g | (1) 1g | (1) 1g | (1) 1g | (1) 1g | | | | |
| (1) 500 mg | (1) 500 mg | (1) 500 mg | (1) 500 mg | (1) 500 mg | (1) 500 mg | | | | | | |
| – | (1) 300 mg | – | (1) 300 mg | – | (1) 300 mg | | | | | | |
| (2) 200 mg | (1) 200 mg | (2) 200 mg | (1) 200 mg | (2) 200 mg | (1) 200 mg | | | | | | |
| (1) 100 mg | (1) 100 mg | (1) 100 mg | (1) 100 mg | (1) 100 mg | (1) 100 mg | | | | | | |
| (1) 50 mg | (1) 50 mg | (1) 50 mg | (1) 50 mg | (1) 50 mg | (1) 50 mg | | | | | | |
| – | (1) 30 mg | – | (1) 30 mg | – | (1) 30 mg | | | | | | |
| (2) 20 mg | (1) 20 mg | (2) 20 mg | (1) 20 mg | (2) 20 mg | (1) 20 mg | | | | | | |
| (1) 10 mg | (1) 10 mg | (1) 10 mg | (1) 10 mg | (1) 10 mg | (1) 10 mg | | | | | | |
| (1) 5 mg | | | | | | | | | | | |
| – | | | | | | | | | | | |
| (2) 2 mg | | | | | | | | | | | |
| (1) 1 mg | | | | | | | | | | | |
| 23 pcs. 622.221g set wt. | 18 pcs. 422.210g set wt. | 19 pcs. 611.1g set wt. | 14 pcs. 422.19g set wt. | 15 pcs. 611g set wt. | 10 pcs. 421g set wt. | 10 pcs. 410g set wt. | 11 pcs. 610g set wt. | | | | |

**CALIBRATION WEIGHTS
ASTM PRECISION**

Replacement Cases

| Main Cases | | |
|------------------------|--------------|----------|
| Class 0, 1, 2, 3 and 4 | | |
| Set Range | Part # | Price |
| 200 g - 1mg | 34645 | \$350.00 |
| 200 g - 1mg | 34645 | \$350.00 |
| (2) 200 g - 1mg | 34645 | \$350.00 |
| 200 g - 10 mg | 34645 | \$350.00 |
| (2) 200 g - 10 mg | 34645 | \$350.00 |
| 200 g - 100 mg | 34645 | \$350.00 |
| (2) 200 g - 100 mg | 34645 | \$350.00 |
| 200 g - 1g | 34645 | \$350.00 |
| (2) 200 g - 1g | 34645 | \$350.00 |

| Inserts | | |
|--------------------|--------------|----------|
| Class 0 | | |
| Set Range | Part # | Price |
| 200 g - 1mg | 50431 | \$135.00 |
| (2) 200 g - 1mg | 84473 | \$420.00 |
| (2) 200 g - 10 mg | 84473 | \$420.00 |
| (2) 200 g - 100 mg | 84473 | \$420.00 |
| 200 g - 1g | 50430 | \$135.00 |
| (2) 200 - 1g | 84472 | \$420.00 |

| Inserts | | |
|---------------------|--------------|----------|
| Class 1, 2, 3 and 4 | | |
| Set Range | Part # | Price |
| 200 g - 1mg | 11601 | \$205.00 |
| (2) 200 g - 1g | 84465 | \$205.00 |
| (2) 200 g - 1mg | 84464 | \$205.00 |
| 200 g - 1g* | 11587 | \$205.00 |

Accessories

| Description | Part # | Price |
|----------------------------|---------------|---------|
| Statement of Accuracy | 36092 | \$47.50 |
| Weight glove, white cotton | 11714 | \$7.25 |
| Tweezer | 11711 | \$5.25 |
| Premium tweezer | 152414 | \$45.50 |
| Serial number | 25836 | \$17.00 |
| Leaf weight cover | 11755 | \$45.50 |
| Weight forceps, plastic | 50035 | \$45.50 |
| Lifter bar | 11747 | \$22.25 |

MASS REFERENCE STANDARDS / METRIC SETS

Range: 300 g and 500 g

Class 0

Statement of Accuracy not available.

| Set Range | Part # | Price |
|----------------|--------------|------------|
| 500 g - 1mg | 45923 | \$6,050.00 |
| 500 g - 100 mg | 45924 | \$4,775.00 |
| 500 g - 1g | 45925 | \$3,950.00 |
| 500 g - 100 g | 45926 | \$2,470.00 |

Certificate

| Accredited |
|------------|
| Included |
| Included |
| Included |
| Included |

Class 1

| Set Range | Part # | Price |
|----------------|--------------|------------|
| 300 g - 1g | 11892 | \$1,700.00 |
| 500 g - 1mg | 12469 | \$2,825.00 |
| 500 g - 100 mg | 45964 | \$2,775.00 |
| 500 g - 1g | 12472 | \$1,850.00 |
| 500 g - 1g* | 11891 | \$1,850.00 |
| 500 g - 100 g | 45968 | \$1,310.00 |

Optional Certificate

| Accredited | Non-accredited |
|------------|----------------|
| \$540.00 | \$370.00 |
| \$1,120.00 | \$535.00 |
| \$800.00 | \$410.00 |
| \$640.00 | \$410.00 |
| \$640.00 | \$165.00 |
| \$325.00 | \$165.00 |

Class 2

| Set Range | Part # | Price |
|----------------|--------------|------------|
| 300 g - 1g | 12152 | \$1,560.00 |
| 500 g - 1mg | 11918 | \$2,170.00 |
| 500 g - 100 mg | 45965 | \$2,040.00 |
| 500 g - 1g | 11921 | \$1,700.00 |
| 500 g - 1g* | 12151 | \$1,700.00 |
| 500 g - 100 g | 45969 | \$1,200.00 |

Optional Certificate

| Accredited | Non-accredited |
|------------|----------------|
| \$540.00 | \$370.00 |
| \$1,120.00 | \$715.00 |
| \$800.00 | \$535.00 |
| \$640.00 | \$410.00 |
| \$640.00 | \$395.00 |
| \$325.00 | \$165.00 |

Class 3

| Set Range | Part # | Price |
|----------------|--------------|------------|
| 300 g - 1g | 12290 | \$1,500.00 |
| 500 g - 1mg | 12066 | \$2,120.00 |
| 500 g - 100 mg | 45966 | \$1,940.00 |
| 500 g - 1g | 12069 | \$1,650.00 |
| 500 g - 1g* | 12289 | \$1,650.00 |
| 500 g - 100 g | 45970 | \$1,180.00 |

Optional Certificate

| Accredited | Non-accredited |
|------------|----------------|
| \$540.00 | \$370.00 |
| \$1,120.00 | \$715.00 |
| \$800.00 | \$535.00 |
| \$640.00 | \$410.00 |
| \$640.00 | \$395.00 |
| \$325.00 | \$165.00 |

Class 4

| Set Range | Part # | Price |
|----------------|--------------|------------|
| 300 g - 1g | 12393 | \$1,380.00 |
| 500 g - 1mg | 12212 | \$1,940.00 |
| 500 g - 100 mg | 45967 | \$1,730.00 |
| 500 g - 1g | 12215 | \$1,530.00 |
| 500 g - 1g* | 12392 | \$1,530.00 |
| 500 g - 100 g | 45971 | \$1,010.00 |

Optional Certificate

| Accredited |
|------------|
| \$280.00 |
| \$605.00 |
| \$375.00 |
| \$310.00 |
| \$310.00 |
| \$125.00 |

* 5-2-2-1 configuration



PN 12151 Set Includes Lifting Device, Glove and Case (500 g to 1 g)

Replacement Cases

| Main Cases | | |
|----------------|--------------|----------|
| Class 0 | | |
| Set Range | Part # | Price |
| 500 g - 1mg | 34645 | \$350.00 |
| 500 g - 100 mg | 34645 | \$350.00 |
| 500 g - 1g | 34645 | \$350.00 |
| 500 g - 100 g | 34645 | \$350.00 |

| Main Case | | |
|---------------------|--------------|----------|
| Class 1, 2, 3 and 4 | | |
| Set Range | Part # | Price |
| 300 g - 1g | 34645 | \$350.00 |
| 500 g - 1mg | 34645 | \$350.00 |
| 500 g - 100 mg | 34645 | \$350.00 |
| 500 g - 1g | 34645 | \$350.00 |
| 500 g - 1g | 34645 | \$350.00 |
| 500 g - 100 g | 34645 | \$350.00 |

| Inserts | | |
|---------------|--------------|----------|
| Class 0 | | |
| Set Range | Part # | Price |
| 500 g - 1mg | 49500 | \$275.00 |
| 500 g - 100 g | 49501 | \$220.00 |

| Inserts | | |
|---------------------|--------------|----------|
| Class 1, 2, 3 and 4 | | |
| Set Range | Part # | Price |
| 300 g - 1g | 11586 | \$205.00 |
| 500 g - 1mg | 11602 | \$205.00 |
| 500 g - 1g* | 11585 | \$205.00 |

* 5-2-2-1 configuration

MASS REFERENCE STANDARDS / METRIC SETS

Range: 300 g and 500 g

Weight Set Contents

5-2-2-1

| 300 g - 1g | 500 g - 1mg | 500 g - 100 mg | 500 g - 1g | 500 g - 1g | 500 g - 100 g |
|--|--|--|--|---|--|
| – 11892 Class 1 12152 Class 2 12290 Class 3 12393 Class 4 | 45923 Class 0 12469 Class 1 11918 Class 2 12066 Class 3 12212 Class 4 | 45924 Class 0 45964 Class 1 45965 Class 2 45966 Class 3 45967 Class 4 | 45925 Class 0 12472 Class 1 11921 Class 2 12069 Class 3 12215 Class 4 | – 11891 Class 1 12151 Class 2 12289 Class 3 12392 Class 4 | 45926 Class 0 45968 Class 1 45969 Class 2 45970 Class 3 45971 Class 4 |
| – (1) 300 g (1) 200 g (1) 100 g (1) 50 g (1) 30 g (1) 20 g (1) 10 g (1) 5 g (1) 3 g (1) 2 g (1) 1 g | (1) 500 g (1) 300 g (1) 200 g (1) 100 g (1) 50 g (1) 30 g (1) 20 g (1) 10 g (1) 5 g (1) 3 g (1) 2 g (1) 1 g (1) 500 mg (1) 300 mg (1) 200 mg (1) 100 mg (1) 50 mg (1) 30 mg (1) 20 mg (1) 10 mg (1) 5 mg (1) 3 mg (1) 2 mg (1) 1 mg | (1) 500 g (1) 300 g (1) 200 g (1) 100 g (1) 50 g (1) 30 g (1) 20 g (1) 10 g (1) 5 g (1) 3 g (1) 2 g (1) 1 g (1) 500 mg (1) 300 mg (1) 200 mg (1) 100 mg | (1) 500 g (1) 300 g (1) 200 g (1) 100 g (1) 50 g (1) 30 g (1) 20 g (1) 10 g (1) 5 g (1) 3 g (1) 2 g (1) 1 g | (1) 500 g – (2) 200 g (1) 100 g (1) 50 g – (2) 20 g (1) 10 g (1) 5 g – (2) 2 g (1) 1 g | (1) 500 g (1) 300 g (1) 200 g (1) 100 g |
| 11 pcs. 721g set wt. | 24 pcs. 1.222221kg set wt. | 16 pcs. 1.2221kg set wt. | 12 pcs. 1.221kg set wt. | 12 pcs. 1.10 kg set wt. | 4 pcs. 1.1kg set wt. |

**CALIBRATION WEIGHTS
ASTM PRECISION**

Accessories

| Description | Part # | Price |
|----------------------------|---------------|---------|
| Statement of Accuracy | 36092 | \$47.50 |
| Weight glove, white cotton | 11714 | \$7.25 |
| Tweezer | 11711 | \$5.25 |
| Premium tweezer | 152414 | \$45.50 |
| Serial number | 25836 | \$17.00 |
| Leaf weight cover | 11755 | \$45.50 |
| Weight forceps, plastic | 50035 | \$45.50 |
| Lifter bar | 11747 | \$22.25 |

MASS REFERENCE STANDARDS / METRIC SETS

Range: 1kg

Class 0

Statement of Accuracy not available.

Certificate

| Set Range | Part # | Price |
|--------------|--------------|------------|
| 1kg - 1mg | 45919 | \$6,975.00 |
| 1kg - 100 mg | 45920 | \$5,750.00 |
| 1kg - 1g | 45921 | \$4,850.00 |
| 1kg - 100 g | 45922 | \$3,550.00 |

| Accredited | |
|------------|--|
| Included | |
| Included | |
| Included | |
| Included | |

Class 1

Optional Certificate

| Set Range | Part # | Price |
|--------------|--------------|------------|
| 1kg - 1mg | 12473 | \$3,350.00 |
| 1kg - 100 mg | 45972 | \$3,275.00 |
| 1kg - 1g | 12476 | \$2,975.00 |
| 1kg - 1g* | 11889 | \$2,975.00 |
| 1kg - 100 g | 45976 | \$2,725.00 |

| Accredited | Non-accredited |
|------------|----------------|
| \$1,210.00 | \$765.00 |
| \$900.00 | \$525.00 |
| \$730.00 | \$455.00 |
| \$730.00 | \$455.00 |
| \$415.00 | \$205.00 |

Class 2

Optional Certificate

| Set Range | Part # | Price |
|--------------|--------------|------------|
| 1kg - 1mg | 11922 | \$3,050.00 |
| 1kg - 100 mg | 45973 | \$3,025.00 |
| 1kg - 1g | 11925 | \$2,875.00 |
| 1kg - 1g* | 12149 | \$2,875.00 |
| 1kg - 100 g | 45977 | \$2,625.00 |

| Accredited | Non-accredited |
|------------|----------------|
| \$1,210.00 | \$765.00 |
| \$900.00 | \$525.00 |
| \$730.00 | \$455.00 |
| \$730.00 | \$455.00 |
| \$415.00 | \$205.00 |

Class 3

Optional Certificate

| Set Range | Part # | Price |
|--------------|--------------|------------|
| 1kg - 1mg | 12070 | \$3,025.00 |
| 1kg - 100 mg | 45974 | \$2,975.00 |
| 1kg - 1g | 12073 | \$2,750.00 |
| 1kg - 1g* | 12288 | \$2,750.00 |
| 1kg - 100 g | 45978 | \$2,575.00 |

| Accredited | Non-accredited |
|------------|----------------|
| \$1,210.00 | \$765.00 |
| \$900.00 | \$525.00 |
| \$730.00 | \$455.00 |
| \$730.00 | \$455.00 |
| \$415.00 | \$205.00 |

Class 4

Optional Certificate

| Set Range | Part # | Price |
|--------------|--------------|------------|
| 1kg - 1mg | 12216 | \$2,800.00 |
| 1kg - 100 mg | 45975 | \$2,750.00 |
| 1kg - 1g | 12219 | \$2,675.00 |
| 1kg - 1g* | 12391 | \$2,575.00 |
| 1kg - 100 g | 45979 | \$2,280.00 |

| Accredited | |
|------------|--|
| \$630.00 | |
| \$445.00 | |
| \$350.00 | |
| \$350.00 | |
| \$155.00 | |

* 5-2-2-1 configuration



PN 12473 Set Includes Lifting Device, Glove and Case (1 kg to 1 mg)

Replacement Cases

| Main Cases | | |
|--------------|--------------|------------|
| Class 0 | | |
| Set Range | Part # | Price |
| 1kg - 1mg | 50437 | \$1,920.00 |
| 1kg - 100 mg | 50437 | \$1,920.00 |
| 1kg - 1g | 50437 | \$1,920.00 |
| 1kg - 100 g | 50437 | \$1,920.00 |

| Main Case | | |
|---------------------|--------------|------------|
| Class 1, 2, 3 and 4 | | |
| Set Range | Part # | Price |
| 1kg - 1mg | 11603 | \$1,920.00 |
| 1kg - 100 mg | 11603 | \$1,920.00 |
| 1kg - 1g | 11603 | \$1,920.00 |
| 1kg - 1g | 11584 | \$1,660.00 |
| 1kg - 100 g | 11603 | \$1,920.00 |

| Secondary Case | | |
|----------------|--------------|----------|
| Class 0 | | |
| Set Range | Part # | Price |
| 100 g - 1mg | 49503 | \$265.00 |

| Secondary Case | | |
|---------------------|--------------|----------|
| Class 1, 2, 3 and 4 | | |
| Set Range | Part # | Price |
| 100 g - 1mg | 11596 | \$190.00 |
| 100 g - 1mg* | 11588 | \$190.00 |

* 5-2-2-1 configuration

MASS REFERENCE STANDARDS / METRIC SETS

Range: 1kg

Weight Set Contents

5-2-2-1

| 1kg - 1mg | 1kg - 100 mg | 1kg - 1g | 1kg - 1g | 1kg - 100 g |
|--------------------------------------|------------------------------------|-----------------------------------|----------------------------------|--------------------------------|
| 45919 Class 0 | 45920 Class 0 | 45921 Class 0 | – | 45922 Class 0 |
| 12473 Class 1 | 45972 Class 1 | 12476 Class 1 | 11889 Class 1 | 45976 Class 1 |
| 11922 Class 2 | 45973 Class 2 | 11925 Class 2 | 12149 Class 2 | 45977 Class 2 |
| 12070 Class 3 | 45974 Class 3 | 12073 Class 3 | 12288 Class 3 | 45978 Class 3 |
| 12216 Class 4 | 45975 Class 4 | 12219 Class 4 | 12391 Class 4 | 45979 Class 4 |
| (1) 1kg | (1) 1kg | (1) 1kg | (1) 1kg | (1) 1kg |
| (1) 500g | (1) 500g | (1) 500g | (1) 500g | (1) 500g |
| (1) 300g | (1) 300g | (1) 300g | – | (1) 300g |
| (1) 200g | (1) 200g | (1) 200g | (2) 200g | (1) 200g |
| (1) 100g | (1) 100g | (1) 100g | (1) 100g | (1) 100g |
| (1) 50g | (1) 50g | (1) 50g | (1) 50g | |
| (1) 30g | (1) 30g | (1) 30g | – | |
| (1) 20g | (1) 20g | (1) 20g | (2) 20g | |
| (1) 10g | (1) 10g | (1) 10g | (1) 10g | |
| (1) 5g | (1) 5g | (1) 5g | (1) 5g | |
| (1) 3g | (1) 3g | (1) 3g | – | |
| (1) 2g | (1) 2g | (1) 2g | (2) 2g | |
| (1) 1g | (1) 1g | (1) 1g | (1) 1g | |
| (1) 500 mg | (1) 500 mg | | | |
| (1) 300 mg | (1) 300 mg | | | |
| (1) 200 mg | (1) 200 mg | | | |
| (1) 100 mg | (1) 100 mg | | | |
| (1) 50 mg | | | | |
| (1) 30 mg | | | | |
| (1) 20 mg | | | | |
| (1) 10 mg | | | | |
| (1) 5 mg | | | | |
| (1) 3 mg | | | | |
| (1) 2 mg | | | | |
| (1) 1 mg | | | | |
| 25 pcs. 2.222221kg set wt. | 17 pcs. 2.2221kg set wt. | 13 pcs. 2.221kg set wt. | 13 pcs. 2.11kg set wt. | 5 pcs. 2.1kg set wt. |

**CALIBRATION WEIGHTS
ASTM PRECISION**

Accessories

| Inserts | | |
|---------------------|--------------|----------|
| Class 1, 2, 3 and 4 | | |
| Set Range | Part # | Price |
| 100 g | 46380 | \$130.00 |

| Description | Part # | Price |
|----------------------------|---------------|---------|
| Statement of Accuracy | 36092 | \$47.50 |
| Weight glove, white cotton | 11714 | \$7.25 |
| Tweezer | 11711 | \$5.25 |
| Premium tweezer | 152414 | \$45.50 |
| Serial number | 25836 | \$17.00 |
| Leaf weight cover | 11755 | \$45.50 |
| Weight forceps, plastic | 50035 | \$45.50 |
| Lifter bar | 11747 | \$22.25 |
| Tong assembly, Class 0 | 50000 | \$78.00 |

MASS REFERENCE STANDARDS / METRIC SETS

Range: 2 kg

Class 0

Statement of Accuracy not available.

Certificate

| Set Range | Part # | Price |
|-------------------|--------------|-------------|
| 2 kg - 1 mg | 45915 | \$8,900.00 |
| (2) 2 kg - 1 mg* | 87043 | \$10,675.00 |
| (2) 2 kg - 10 mg* | 87042 | \$10,125.00 |
| 2 kg - 100 mg | 45916 | \$8,575.00 |
| (2) 2 kg - 100 mg | 87041 | \$9,450.00 |
| 2 kg - 1 g | 45917 | \$6,425.00 |
| (2) 2 kg - 1 g | 87044 | \$8,275.00 |
| 2 kg - 100 g | 45918 | \$5,175.00 |

| Accredited | |
|------------|--|
| Included | |
| Included | |
| Included | |
| Included | |
| Included | |
| Included | |
| Included | |
| Included | |

Class 1

Optional Certificate

| Set Range | Part # | Price |
|--------------------|--------------|------------|
| 2 kg - 1 mg | 12477 | \$4,300.00 |
| (2) 2 kg - 1 mg* | 87069 | \$4,800.00 |
| (2) 2 kg - 10 mg* | 87065 | \$4,700.00 |
| 2 kg - 100 mg | 45980 | \$4,550.00 |
| (2) 2 kg - 100 mg* | 87061 | \$4,650.00 |
| 2 kg - 1 g | 12480 | \$3,625.00 |
| 2 kg - 1 g* | 11888 | \$3,625.00 |
| (2) 2 kg - 1 g* | 87073 | \$4,450.00 |
| 2 kg - 100 g | 45984 | \$3,500.00 |

| Accredited | Non-accredited |
|------------|----------------|
| \$1,310.00 | \$900.00 |
| \$1,430.00 | \$960.00 |
| \$1,270.00 | \$830.00 |
| \$1,000.00 | \$640.00 |
| \$1,120.00 | \$700.00 |
| \$840.00 | \$510.00 |
| \$840.00 | \$510.00 |
| \$960.00 | \$570.00 |
| \$520.00 | \$260.00 |

Class 2

Optional Certificate

| Set Range | Part # | Price |
|--------------------|--------------|------------|
| 2 kg - 1 mg | 11926 | \$3,825.00 |
| (2) 2 kg - 1 mg* | 87070 | \$4,600.00 |
| (2) 2 kg - 10 mg* | 87066 | \$4,300.00 |
| 2 kg - 100 mg | 45981 | \$4,000.00 |
| (2) 2 kg - 100 mg* | 87062 | \$4,125.00 |
| 2 kg - 1 g | 11929 | \$3,425.00 |
| 2 kg - 1 g* | 12148 | \$3,425.00 |
| (2) 2 kg - 1 g* | 87074 | \$4,125.00 |
| 2 kg - 100 g | 45985 | \$3,350.00 |

| Accredited | Non-accredited |
|------------|----------------|
| \$1,310.00 | \$900.00 |
| \$1,430.00 | \$960.00 |
| \$1,270.00 | \$830.00 |
| \$1,000.00 | \$640.00 |
| \$1,120.00 | \$700.00 |
| \$840.00 | \$510.00 |
| \$840.00 | \$510.00 |
| \$960.00 | \$570.00 |
| \$520.00 | \$260.00 |

Class 3

Optional Certificate

| Set Range | Part # | Price |
|--------------------|--------------|------------|
| 2 kg - 1 mg | 12074 | \$3,775.00 |
| (2) 2 kg - 1 mg* | 87071 | \$4,450.00 |
| (2) 2 kg - 10 mg* | 87067 | \$4,100.00 |
| 2 kg - 100 mg | 45982 | \$3,925.00 |
| (2) 2 kg - 100 mg* | 87063 | \$3,925.00 |
| 2 kg - 1 g | 12077 | \$3,350.00 |
| 2 kg - 1 g* | 12287 | \$3,350.00 |
| (2) 2 kg - 1 g* | 87075 | \$4,000.00 |
| 2 kg - 100 g | 45986 | \$3,125.00 |

| Accredited | Non-accredited |
|------------|----------------|
| \$1,310.00 | \$900.00 |
| \$1,430.00 | \$960.00 |
| \$1,270.00 | \$830.00 |
| \$1,000.00 | \$640.00 |
| \$1,120.00 | \$700.00 |
| \$840.00 | \$510.00 |
| \$840.00 | \$510.00 |
| \$960.00 | \$570.00 |
| \$520.00 | \$260.00 |

Class 4

Optional Certificate

| Set Range | Part # | Price |
|--------------------|--------------|------------|
| 2 kg - 1 mg | 12220 | \$3,375.00 |
| (2) 2 kg - 1 mg* | 87072 | \$4,100.00 |
| (2) 2 kg - 10 mg* | 87068 | \$3,750.00 |
| 2 kg - 100 mg | 45983 | \$3,900.00 |
| (2) 2 kg - 100 mg* | 87064 | \$3,725.00 |
| 2 kg - 1 g | 12223 | \$3,225.00 |
| 2 kg - 1 g* | 12390 | \$3,225.00 |
| (2) 2 kg - 1 g* | 87076 | \$3,475.00 |
| 2 kg - 100 g | 45987 | \$3,000.00 |

| Accredited | |
|------------|--|
| \$640.00 | |
| \$730.00 | |
| \$640.00 | |
| \$490.00 | |
| \$540.00 | |
| \$395.00 | |
| \$395.00 | |
| \$450.00 | |
| \$210.00 | |

* 5-2-2-1 configuration



PN 12477 Set Includes Lifting Device, Glove and Case (2kg to 1mg)

**CALIBRATION WEIGHTS
ASTM PRECISION**

Range: 2 kg

Weight Set Contents

| 5-2-2-1 | | 5-2-2-1 | | 5-2-2-1 | | 5-2-2-1 | | 5-2-2-1 | |
|-------------------------------|-------------------------------|---------------------------|-----------------------------|-----------------------------|---------------------------|---------------------------|----------------------------|-------------------------|--|
| 2 kg - 1mg | (2) 2 kg - 1mg | (2) 2 kg - 10 mg | 2 kg - 100 mg | (2) 2 kg - 100 mg | 2 kg - 1g | 2 kg - 1g | (2) 2 kg - 1g | 2 kg - 100 g | |
| 45915 Class 0 | 87043 Class 0 | 87042 Class 0 | 45916 Class 0 | 87041 Class 0 | 45917 Class 0 | – | 87044 Class 0 | 45918 Class 0 | |
| 12477 Class 1 | 87069 Class 1 | 87065 Class 1 | 45980 Class 1 | 87061 Class 1 | 12480 Class 1 | 11888 Class 1 | 87073 Class 1 | 45984 Class 1 | |
| 11926 Class 2 | 87070 Class 2 | 87066 Class 2 | 45981 Class 2 | 87062 Class 2 | 11929 Class 2 | 12148 Class 2 | 87074 Class 2 | 45985 Class 2 | |
| 12074 Class 3 | 87071 Class 3 | 87067 Class 3 | 45982 Class 3 | 87063 Class 3 | 12077 Class 3 | 12287 Class 3 | 87075 Class 3 | 45986 Class 3 | |
| 12220 Class 4 | 87072 Class 4 | 87068 Class 4 | 45983 Class 4 | 87064 Class 4 | 12223 Class 4 | 12390 Class 4 | 87076 Class 4 | 45987 Class 4 | |
| (1) 2 kg | (2) 2 kg | (2) 2 kg | (1) 2 kg | (2) 2 kg | (1) 2 kg | (1) 2 kg | (2) 2 kg | (1) 2 kg | |
| (1) 1kg | (1) 1kg | (1) 1kg | (1) 1kg | (1) 1kg | (1) 1kg | (1) 1kg | (1) 1kg | (1) 1kg | |
| (1) 500 g | (1) 500 g | (1) 500 g | (1) 500 g | (1) 500 g | (1) 500 g | (1) 500 g | (1) 500 g | (1) 500 g | |
| (1) 300 g | – | – | (1) 300 g | – | (1) 300 g | – | – | (1) 300 g | |
| (1) 200 g | (2) 200 g | (2) 200 g | (1) 200 g | (2) 200 g | (1) 200 g | (2) 200 g | (2) 200 g | (1) 200 g | |
| (1) 100 g | (1) 100 g | (1) 100 g | (1) 100 g | (1) 100 g | (1) 100 g | (1) 100 g | (1) 100 g | (1) 100 g | |
| (1) 50 g | (1) 50 g | (1) 50 g | (1) 50 g | (1) 50 g | (1) 50 g | (1) 50 g | (1) 50 g | (1) 50 g | |
| (1) 30 g | – | – | (1) 30 g | – | (1) 30 g | – | – | – | |
| (1) 20 g | (2) 20 g | (2) 20 g | (1) 20 g | (2) 20 g | (1) 20 g | (2) 20 g | (2) 20 g | (2) 20 g | |
| (1) 10 g | (1) 10 g | (1) 10 g | (1) 10 g | (1) 10 g | (1) 10 g | (1) 10 g | (1) 10 g | (1) 10 g | |
| (1) 5 g | (1) 5 g | (1) 5 g | (1) 5 g | (1) 5 g | (1) 5 g | (1) 5 g | (1) 5 g | (1) 5 g | |
| (1) 3 g | – | – | (1) 3 g | – | (1) 3 g | – | – | – | |
| (1) 2 g | (2) 2 g | (2) 2 g | (1) 2 g | (2) 2 g | (1) 2 g | (2) 2 g | (2) 2 g | (2) 2 g | |
| (1) 1g | (1) 1g | (1) 1g | (1) 1g | (1) 1g | (1) 1g | (1) 1g | (1) 1g | (1) 1g | |
| (1) 500 mg | (1) 500 mg | (1) 500 mg | (1) 500 mg | (1) 500 mg | (1) 500 mg | – | – | – | |
| (1) 300 mg | – | – | (1) 300 mg | – | – | – | – | – | |
| (1) 200 mg | (2) 200 mg | (2) 200 mg | (1) 200 mg | (2) 200 mg | (1) 200 mg | – | – | – | |
| (1) 100 mg | (1) 100 mg | (1) 100 mg | (1) 100 mg | (1) 100 mg | (1) 100 mg | – | – | – | |
| (1) 50 mg | (1) 50 mg | (1) 50 mg | (1) 50 mg | – | – | – | – | – | |
| (1) 30 mg | – | – | – | – | – | – | – | – | |
| (1) 20 mg | (2) 20 mg | (2) 20 mg | – | – | – | – | – | – | |
| (1) 10 mg | (1) 10 mg | (1) 10 mg | – | – | – | – | – | – | |
| (1) 5 mg | (1) 5 mg | (1) 5 mg | – | – | – | – | – | – | |
| (1) 3 mg | – | – | – | – | – | – | – | – | |
| (1) 2 mg | (2) 2 mg | – | – | – | – | – | – | – | |
| (1) 1mg | (1) 1mg | – | – | – | – | – | – | – | |
| 26 pcs. 4.222221kg set wt. | 27 pcs. 6.222221kg set wt. | 23 pcs. 6.22kg set wt. | 18 pcs. 4.2221kg set wt. | 19 pcs. 6.2221kg set wt. | 14 pcs. 4.11kg set wt. | 14 pcs. 4.11kg set wt. | 15 pcs. 6.221kg set wt. | 6 pcs. 4.1kg set wt. | |

CALIBRATION WEIGHTS
ASTM PRECISION

Replacement Cases

| Main Cases | | |
|-------------------|--------------|------------|
| Class 0 | | |
| Set Range | Part # | Price |
| 2 kg - 1mg | 50439 | \$1,950.00 |
| (2) 2 kg - 1mg | 84474 | \$2,070.00 |
| (2) 2 kg - 10 mg | 84474 | \$2,070.00 |
| 2 kg - 100 mg | 50439 | \$1,950.00 |
| (2) 2 kg - 100 mg | 84474 | \$2,070.00 |
| 2 kg - 1g | 50439 | \$1,950.00 |
| (2) 2 kg - 1g | 84474 | \$2,070.00 |
| 2 kg - 100 g | 50438 | \$1,950.00 |

| Main Case | | |
|---------------------|--------------|------------|
| Class 1, 2, 3 and 4 | | |
| Set Range | Part # | Price |
| 2 kg - 1mg | 11604 | \$1,660.00 |
| (2) 2 kg - 1mg | 84463 | \$1,670.00 |
| (2) 2 kg - 10 mg | 84463 | \$1,670.00 |
| 2 kg - 100 mg | 11604 | \$1,660.00 |
| (2) 2 kg - 100 mg | 84463 | \$1,670.00 |
| 2 kg - 1g | 11604 | \$1,660.00 |
| 2 kg - 1g | 11583 | \$1,920.00 |
| (2) 2 kg - 1g | 84463 | \$1,670.00 |
| 2 kg - 100 g | 11604 | \$1,660.00 |

| Secondary Case | | |
|----------------|--------------|----------|
| Class 0 | | |
| Set Range | Part # | Price |
| 100 g - 1mg | 34697 | \$240.00 |
| 100 g - 1mg | 49503 | \$265.00 |

| Secondary Case | | |
|---------------------|--------------|----------|
| Class 1, 2, 3 and 4 | | |
| Set Range | Part # | Price |
| 100 g - 1mg | 11588 | \$190.00 |
| 100 g - 1mg | 11596 | \$190.00 |

| Insert | | |
|-----------|--------------|----------|
| Wooden | | |
| Set Range | Part # | Price |
| 100 g | 46380 | \$130.00 |

Accessories

| Description | Part # | Price |
|---|---------------|---------|
| Statement of Accuracy | 36092 | \$47.50 |
| Weight glove, white cotton | 11714 | \$7.25 |
| Tweezer | 11711 | \$5.25 |
| Premium tweezer | 152414 | \$45.50 |
| Serial number | 25836 | \$17.00 |
| Leaf weight cover | 11755 | \$45.50 |
| Weight forceps, plastic | 50035 | \$45.50 |
| Lifter bar | 11747 | \$22.25 |
| Lifter bar, large handle | 11712 | \$77.00 |
| Tong assembly, Class 0 | 50000 | \$78.00 |
| Lifter (Class 0 and OIML 2 kg and 5 kg) | 50037 | \$57.00 |

MASS REFERENCE STANDARDS / METRIC SETS

Range: 3 kg and 5 kg

Class 0

Statement of Accuracy not available.

| Set Range | Part # | Price |
|---------------|--------------|-------------|
| 5 kg - 1 mg | 45910 | \$12,075.00 |
| 5 kg - 100 mg | 45911 | \$11,375.00 |
| 5 kg - 1 g | 45912 | \$9,900.00 |
| 5 kg - 100 g | 45913 | \$8,325.00 |

Certificate

| Accredited |
|------------|
| Included |
| Included |
| Included |
| Included |

Class 1

| Set Range | Part # | Price |
|---------------|---------------|------------|
| 3 kg - 1 g | 11887 | \$4,725.00 |
| 5 kg - 1 mg | 12481 | \$6,300.00 |
| 5 kg - 1 mg* | 114050 | \$6,300.00 |
| 5 kg - 100 mg | 45988 | \$5,975.00 |
| 5 kg - 1 g | 12484 | \$5,600.00 |
| 5 kg - 1 g* | 11886 | \$5,600.00 |
| 5 kg - 100 g | 45992 | \$5,175.00 |

Optional Certificate

| Accredited | Non-accredited |
|------------|----------------|
| \$960.00 | \$515.00 |
| \$1,400.00 | \$840.00 |
| \$1,400.00 | \$840.00 |
| \$1,225.00 | \$765.00 |
| \$1,075.00 | \$635.00 |
| \$1,075.00 | \$635.00 |
| \$755.00 | \$400.00 |

Class 2

| Set Range | Part # | Price |
|---------------|---------------|------------|
| 3 kg - 1 g | 12147 | \$4,050.00 |
| 5 kg - 1 mg | 11930 | \$5,600.00 |
| 5 kg - 1 mg* | 114051 | \$5,600.00 |
| 5 kg - 100 mg | 45989 | \$5,550.00 |
| 5 kg - 1 g | 11933 | \$5,125.00 |
| 5 kg - 1 g* | 12146 | \$5,125.00 |
| 5 kg - 100 g | 45993 | \$4,700.00 |

Optional Certificate

| Accredited | Non-accredited |
|------------|----------------|
| \$960.00 | \$570.00 |
| \$1,400.00 | \$840.00 |
| \$1,400.00 | \$840.00 |
| \$1,225.00 | \$765.00 |
| \$1,075.00 | \$635.00 |
| \$1,075.00 | \$635.00 |
| \$755.00 | \$400.00 |

Class 3

| Set Range | Part # | Price |
|---------------|---------------|------------|
| 3 kg - 1 g | 12286 | \$4,025.00 |
| 5 kg - 1 mg | 12078 | \$5,500.00 |
| 5 kg - 1 mg* | 114052 | \$5,500.00 |
| 5 kg - 100 mg | 45990 | \$5,350.00 |
| 5 kg - 1 g | 12081 | \$5,125.00 |
| 5 kg - 1 g* | 12285 | \$5,100.00 |
| 5 kg - 100 g | 45994 | \$4,675.00 |

Optional Certificate

| Accredited | Non-accredited |
|------------|----------------|
| \$960.00 | \$570.00 |
| \$1,400.00 | \$840.00 |
| \$1,400.00 | \$840.00 |
| \$1,225.00 | \$765.00 |
| \$1,075.00 | \$635.00 |
| \$1,075.00 | \$635.00 |
| \$755.00 | \$400.00 |

Class 4

| Set Range | Part # | Price |
|---------------|---------------|------------|
| 3 kg - 1 g | 12389 | \$3,600.00 |
| 5 kg - 1 mg | 12224 | \$4,975.00 |
| 5 kg - 1 mg* | 114053 | \$4,975.00 |
| 5 kg - 100 mg | 45991 | \$4,850.00 |
| 5 kg - 1 g | 12227 | \$4,425.00 |
| 5 kg - 1 g* | 12388 | \$4,425.00 |
| 5 kg - 100 g | 45995 | \$4,050.00 |

Optional Certificate

| Accredited |
|------------|
| \$445.00 |
| \$780.00 |
| \$780.00 |
| \$590.00 |
| \$490.00 |
| \$490.00 |
| \$300.00 |

* 5-2-2-1 configuration



PN 11887 Set Includes Lifting Device, Glove and Case (3kg to 1g)

CALIBRATION WEIGHTS
ASTM PRECISION

Replacement Cases

| Main Cases | | |
|---------------|--------------|------------|
| Class 0 | | |
| Set Range | Part # | Price |
| 5 kg - 1 mg | 49495 | \$1,950.00 |
| 5 kg - 100 mg | 49495 | \$1,950.00 |
| 5 kg - 1 g | 49495 | \$1,950.00 |
| 5 kg - 100 g | 50440 | \$1,870.00 |

| Main Case | | |
|---------------------|--------------|------------|
| Class 1, 2, 3 and 4 | | |
| Set Range | Part # | Price |
| 3 kg - 1 g | 11582 | \$1,660.00 |
| 5 kg - 1 mg | 11605 | \$1,660.00 |
| 5 kg - 1 mg | 11581 | \$1,660.00 |
| 5 kg - 100 mg | 11605 | \$1,660.00 |
| 5 kg - 1 g | 11605 | \$1,660.00 |
| 5 kg - 1 g | 11581 | \$1,660.00 |
| 5 kg - 100 g | 11605 | \$1,660.00 |

| Secondary Case | | |
|----------------|--------------|----------|
| Class 0 | | |
| Set Range | Part # | Price |
| 100 g - 1 mg | 49503 | \$265.00 |

| Secondary Case | | |
|---------------------|--------------|----------|
| Class 1, 2, 3 and 4 | | |
| Set Range | Part # | Price |
| 100 g - 1 mg | 11588 | \$190.00 |
| 100 g - 1 mg | 11596 | \$190.00 |

MASS REFERENCE STANDARDS / METRIC SETS

Range: 3 kg and 5 kg

Weight Set Contents

| 5-2-2-1 | | | 5-2-2-1 | | | |
|---|--|--|--|--|--|--|
| 3 kg - 1g | 5 kg - 1mg | 5 kg - 1mg | 5 kg - 100 mg | 5 kg - 1g | 5 kg - 1g | 5 kg - 100 g |
| – 11887 Class 1 12147 Class 2 12286 Class 3 12389 Class 4 | 45910 Class 0 12481 Class 1 11930 Class 2 12078 Class 3 12224 Class 4 | – 114050 Class 1 114051 Class 2 114052 Class 3 114053 Class 4 | 45911 Class 0 45988 Class 1 45989 Class 2 45990 Class 3 45991 Class 4 | 45912 Class 0 12484 Class 1 11933 Class 2 12081 Class 3 12227 Class 4 | – 11886 Class 1 12146 Class 2 12285 Class 3 12388 Class 4 | 45913 Class 0 45992 Class 1 45993 Class 2 45994 Class 3 45995 Class 4 |
| – (1) 3 kg (1) 2 kg (1) 1 kg (1) 500 g (1) 300 g (1) 200 g (1) 100 g (1) 50 g (1) 30 g (1) 20 g (1) 10 g (1) 5 g (1) 3 g (1) 2 g (1) 1 g | (1) 5 kg (1) 3 kg (1) 2 kg (1) 1 kg (1) 500 g (1) 300 g (1) 200 g (1) 100 g (1) 50 g (1) 30 g (1) 20 g (1) 10 g (1) 5 g (1) 3 g (1) 2 g (1) 1 g (1) 500 mg (1) 300 mg (1) 200 mg (1) 100 mg (1) 50 mg (1) 30 mg (1) 20 mg (1) 10 mg (1) 5 mg (1) 3 mg (1) 2 mg (1) 1 mg | (1) 5 kg – (2) 2 kg (1) 1 kg (1) 500 g – (2) 200 g (1) 100 g (1) 50 g – (2) 20 g (1) 10 g (1) 5 g – (2) 2 g (1) 1 g (1) 500 mg – (2) 200 mg (1) 100 mg (1) 50 mg – (2) 20 mg (1) 10 mg (1) 5 mg – (2) 2 mg (1) 1 mg | (1) 5 kg (1) 3 kg (1) 2 kg (1) 1 kg (1) 500 g (1) 300 g (1) 200 g (1) 100 g (1) 50 g (1) 30 g (1) 20 g (1) 10 g (1) 5 g (1) 3 g (1) 2 g (1) 1 g (1) 500 mg (1) 300 mg (1) 200 mg (1) 100 mg | (1) 5 kg (1) 3 kg (1) 2 kg (1) 1 kg (1) 500 g (1) 300 g (1) 200 g (1) 100 g (1) 50 g (1) 30 g (1) 20 g (1) 10 g (1) 5 g (1) 3 g (1) 2 g (1) 1 g | (1) 5 kg – (2) 2 kg (1) 1 kg (1) 500 g – (2) 200 g (1) 100 g (1) 50 g – (2) 20 g (1) 10 g (1) 5 g – (2) 2 g (1) 1 g | (1) 5 kg (1) 3 kg (1) 2 kg (1) 1 kg (1) 500 g (1) 300 g (1) 200 g (1) 100 g |
| 15 pcs. 7.221 kg set wt. | 28 pcs. 12.222221 kg set wt. | 28 pcs. 12.23 kg set wt. | 20 pcs. 12.22 kg set wt. | 16 pcs. 12.221 kg set wt. | 16 pcs. 11.110 kg set wt. | 8 pcs. 12.1 kg set wt. |

**CALIBRATION WEIGHTS
ASTM PRECISION**

Accessories

| Insert | | |
|----------------------------|--------------|----------|
| PVC Insert for Wooden Case | | |
| Set Range | Part # | Price |
| 100 g | 46380 | \$130.00 |

| Description | Part # | Price |
|---|---------------|---------|
| Statement of Accuracy | 36092 | \$47.50 |
| Weight glove, white cotton | 11714 | \$7.25 |
| Tweezer | 11711 | \$5.25 |
| Premium tweezer | 152414 | \$45.50 |
| Serial number | 25836 | \$17.00 |
| Leaf weight cover | 11755 | \$45.50 |
| Weight forceps, plastic | 50035 | \$45.50 |
| Lifter bar | 11747 | \$22.25 |
| Lifter bar, large handle | 11712 | \$77.00 |
| Tong assembly, Class 0 | 50000 | \$78.00 |
| Lifter (Class 0 and OIML 2 kg and 5 kg) | 50037 | \$57.00 |

MASS REFERENCE STANDARDS / METRIC SETS

Range: 10 kg

Class 0

Statement of Accuracy not available.

| Set Range | Part # | Price |
|----------------|--------|-------------|
| 10 kg - 1mg | 45905 | \$15,725.00 |
| 10 kg - 100 mg | 45906 | \$14,925.00 |
| 10 kg - 1g | 45907 | \$12,750.00 |
| 10 kg - 100 g | 45908 | \$12,650.00 |
| 10 kg - 1kg | 45909 | \$9,975.00 |

Certificate

| Accredited |
|------------|
| Included |
| Included |
| Included |
| Included |
| Included |

Class 1

| Set Range | Part # | Price |
|----------------|--------|------------|
| 10 kg - 1mg | 12485 | \$8,925.00 |
| 10 kg - 100 mg | 45996 | \$8,800.00 |
| 10 kg - 1g | 12488 | \$8,350.00 |
| 10 kg - 1g* | 11885 | \$8,350.00 |
| 10 kg - 100 g | 46000 | \$8,275.00 |
| 10 kg - 1kg | 46004 | \$6,800.00 |

Optional Certificate

| Accredited | Non-accredited |
|------------|----------------|
| \$1,500.00 | \$900.00 |
| \$1,325.00 | \$820.00 |
| \$1,180.00 | \$690.00 |
| \$1,180.00 | \$690.00 |
| \$870.00 | \$440.00 |
| \$530.00 | \$280.00 |

Class 2

| Set Range | Part # | Price |
|----------------|--------|------------|
| 10 kg - 1mg | 11934 | \$8,575.00 |
| 10 kg - 100 mg | 45997 | \$8,400.00 |
| 10 kg - 1g | 11937 | \$8,325.00 |
| 10 kg - 1g* | 12144 | \$8,275.00 |
| 10 kg - 100 g | 46001 | \$7,775.00 |
| 10 kg - 1kg | 46005 | \$6,975.00 |

Optional Certificate

| Accredited | Non-accredited |
|------------|----------------|
| \$1,500.00 | \$900.00 |
| \$1,325.00 | \$820.00 |
| \$1,180.00 | \$690.00 |
| \$1,180.00 | \$690.00 |
| \$870.00 | \$440.00 |
| \$530.00 | \$280.00 |

Class 3

| Set Range | Part # | Price |
|----------------|--------|------------|
| 10 kg - 1mg | 12082 | \$8,500.00 |
| 10 kg - 100 mg | 45998 | \$8,300.00 |
| 10 kg - 1g | 12085 | \$8,175.00 |
| 10 kg - 1g* | 12283 | \$8,175.00 |
| 10 kg - 100 g | 46002 | \$7,675.00 |
| 10 kg - 1kg | 46006 | \$6,900.00 |

Optional Certificate

| Accredited | Non-accredited |
|------------|----------------|
| \$1,500.00 | \$900.00 |
| \$1,325.00 | \$820.00 |
| \$1,180.00 | \$690.00 |
| \$1,180.00 | \$690.00 |
| \$870.00 | \$440.00 |
| \$530.00 | \$280.00 |

Class 4

| Set Range | Part # | Price |
|----------------|--------|------------|
| 10 kg - 1mg | 12228 | \$7,625.00 |
| 10 kg - 100 mg | 45999 | \$7,500.00 |
| 10 kg - 1g | 12231 | \$7,400.00 |
| 10 kg - 1g* | 12386 | \$7,400.00 |
| 10 kg - 100 g | 46003 | \$6,925.00 |
| 10 kg - 1kg | 46007 | \$6,175.00 |

Optional Certificate

| Accredited |
|------------|
| \$830.00 |
| \$640.00 |
| \$535.00 |
| \$535.00 |
| \$350.00 |
| \$250.00 |

* 5-2-2-1 configuration



PN 12485 Set Includes Lifting Device, Glove and Case (10 kg to 1 mg)

Replacement Cases

| Main Cases | | |
|----------------|--------|------------|
| Class 0 | | |
| Set Range | Part # | Price |
| 10 kg - 1mg | 50442 | \$2,270.00 |
| 10 kg - 100 mg | 50442 | \$2,270.00 |
| 10 kg - 1g | 50442 | \$2,270.00 |
| 10 kg - 100 g | 50442 | \$2,270.00 |
| 10 kg - 1kg | 50441 | \$1,920.00 |

| Main Case | | |
|---------------------|--------|------------|
| Class 1, 2, 3 and 4 | | |
| Set Range | Part # | Price |
| 10 kg - 1mg | 11606 | \$2,240.00 |
| 10 kg - 100 mg | 11606 | \$2,240.00 |
| 10 kg - 1g | 11606 | \$2,240.00 |
| 10 kg - 1g | 11580 | \$2,240.00 |
| 10 kg - 100 g | 11606 | \$2,240.00 |
| 10 kg - 1kg | 11606 | \$2,240.00 |

| Secondary Case | | |
|----------------|--------|----------|
| Class 0 | | |
| Set Range | Part # | Price |
| 100 g - 1mg* | 11588 | \$190.00 |
| 100 g - 1mg | 49503 | \$265.00 |
| Insert, 100 g | 49489 | \$170.00 |

| Secondary Case | | |
|---------------------|--------|----------|
| Class 1, 2, 3 and 4 | | |
| Set Range | Part # | Price |
| 100 g - 1mg* | 11588 | \$190.00 |
| 100 g - 1mg | 11596 | \$190.00 |
| Insert, 100 g | 46380 | \$130.00 |

MASS REFERENCE STANDARDS / METRIC SETS

Range: 10 kg

Weight Set Contents

5-2-2-1

| 10 kg - 1 mg | 10 kg - 100 mg | 10 kg - 1 g | 10 kg - 1 g | 10 kg - 100 g | 10 kg - 1 kg |
|---|---|---|---|--|--|
| 45905 Class 0 12485 Class 1 11934 Class 2 12082 Class 3 12228 Class 4 | 45906 Class 0 45996 Class 1 45997 Class 2 45998 Class 3 45999 Class 4 | 45907 Class 0 12488 Class 1 11937 Class 2 12085 Class 3 12231 Class 4 | 11885 Class 1 12144 Class 2 12283 Class 3 12386 Class 4 - | 45908 Class 0 46000 Class 1 46001 Class 2 46002 Class 3 46003 Class 4 | 45909 Class 0 46004 Class 1 46005 Class 2 46006 Class 3 46007 Class 4 |
| (1) 10 kg (1) 5 kg (1) 3 kg (1) 2 kg (1) 1 kg (1) 500 g (1) 300 g (1) 200 g (1) 100 g (1) 50 g (1) 30 g (1) 20 g (1) 10 g (1) 5 g (1) 3 g (1) 2 g (1) 1 g (1) 500 mg (1) 300 mg (1) 200 mg (1) 100 mg (1) 50 mg (1) 30 mg (1) 20 mg (1) 10 mg (1) 5 mg (1) 3 mg (1) 2 mg (1) 1 mg | (1) 10 kg (1) 5 kg (1) 3 kg (1) 2 kg (1) 1 kg (1) 500 g (1) 300 g (1) 200 g (1) 100 g (1) 50 g (1) 30 g (1) 20 g (1) 10 g (1) 5 g (1) 3 g (1) 2 g (1) 1 g (1) 500 mg (1) 300 mg (1) 200 mg (1) 100 mg | (1) 10 kg (1) 5 kg (1) 3 kg (1) 2 kg (1) 1 kg (1) 500 g (1) 300 g (1) 200 g (1) 100 g (1) 50 g (1) 30 g (1) 20 g (1) 10 g (1) 5 g (1) 3 g (1) 2 g (1) 1 g | (1) 10 kg (1) 5 kg - (2) 2 kg (1) 1 kg (1) 500 g - (2) 200 g (1) 100 g (1) 50 g - (2) 20 g (1) 10 g (1) 5 g - (2) 2 g (1) 1 g | (1) 10 kg (1) 5 kg (1) 3 kg (1) 2 kg (1) 1 kg (1) 500 g (1) 300 g (1) 200 g (1) 100 g | (1) 10 kg (1) 5 kg (1) 3 kg (1) 2 kg (1) 1 kg |
| 29 pcs. 22.222221 kg set wt. | 21 pcs. 22.2221 kg set wt. | 17 pcs. 22.221 kg set wt. | 17 pcs. 21.11 kg set wt. | 9 pcs. 22.1 kg set wt. | 5 pcs. 21 kg set wt. |

**CALIBRATION WEIGHTS
ASTM PRECISION**

Accessories

| Description | Part # | Price |
|---|---------------|---------|
| Statement of Accuracy | 36092 | \$47.50 |
| Weight glove, white cotton | 11714 | \$7.25 |
| Tweezer | 11711 | \$5.25 |
| Premium tweezer | 152414 | \$45.50 |
| Serial number | 25836 | \$17.00 |
| Leaf weight cover | 11755 | \$45.50 |
| Weight forceps, plastic | 50035 | \$45.50 |
| Lifter bar | 11747 | \$22.25 |
| Lifter bar, large handle | 11712 | \$77.00 |
| Tong assembly, Class 0 | 50000 | \$78.00 |
| Lifter (Class 0 and OIML 2 kg and 5 kg) | 50037 | \$57.00 |

MASS REFERENCE STANDARDS / METRIC SETS

Range: 20 kg and 25 kg

Class 0

Statement of Accuracy not available.

| Set Range | Part # | Price |
|----------------|--------------|-------------|
| 20 kg - 1 mg | 45900 | \$19,975.00 |
| 20 kg - 100 mg | 45901 | \$19,150.00 |
| 20 kg - 1 g | 45902 | \$17,075.00 |
| 20 kg - 100 g | 45903 | \$16,850.00 |
| 20 kg - 1 kg | 45904 | \$14,625.00 |

Certificate

| Accredited |
|------------|
| Included |
| Included |
| Included |
| Included |
| Included |

Class 1

| Set Range | Part # | Price |
|----------------|--------------|-------------|
| 25 kg - 1 g* | 11883 | \$16,750.00 |
| 20 kg - 1 mg | 12489 | \$12,300.00 |
| 20 kg - 100 mg | 46008 | \$12,200.00 |
| 20 kg - 1 g | 12492 | \$11,400.00 |
| 20 kg - 1 g* | 11884 | \$11,400.00 |
| 20 kg - 100 g | 46012 | \$10,775.00 |
| 20 kg - 1 kg | 46016 | \$10,575.00 |

Optional Certificate

| Accredited | Non-accredited |
|------------|----------------|
| \$1,395.00 | \$815.00 |
| \$1,680.00 | \$1,025.00 |
| \$1,445.00 | \$885.00 |
| \$1,285.00 | \$760.00 |
| \$1,285.00 | \$760.00 |
| \$975.00 | \$500.00 |
| \$645.00 | \$340.00 |

Class 2

| Set Range | Part # | Price |
|----------------|--------------|-------------|
| 25 kg - 1 g* | 12140 | \$15,100.00 |
| 20 kg - 1 mg | 11938 | \$11,175.00 |
| 20 kg - 100 mg | 46009 | \$10,975.00 |
| 20 kg - 1 g | 11941 | \$10,875.00 |
| 20 kg - 1 g* | 12142 | \$10,875.00 |
| 20 kg - 100 g | 46013 | \$10,350.00 |
| 20 kg - 1 kg | 46017 | \$9,550.00 |

Optional Certificate

| Accredited | Non-accredited |
|------------|----------------|
| \$1,395.00 | \$815.00 |
| \$1,680.00 | \$1,025.00 |
| \$1,445.00 | \$885.00 |
| \$1,285.00 | \$760.00 |
| \$1,285.00 | \$760.00 |
| \$975.00 | \$500.00 |
| \$645.00 | \$340.00 |

Class 3

| Set Range | Part # | Price |
|----------------|--------------|-------------|
| 25 kg - 1 g* | 12279 | \$14,525.00 |
| 20 kg - 1 mg | 12086 | \$11,075.00 |
| 20 kg - 100 mg | 46010 | \$10,875.00 |
| 20 kg - 1 g | 12089 | \$10,750.00 |
| 20 kg - 1 g* | 12281 | \$10,750.00 |
| 20 kg - 100 g | 46014 | \$10,225.00 |
| 20 kg - 1 kg | 46018 | \$9,225.00 |

Optional Certificate

| Accredited | Non-accredited |
|------------|----------------|
| \$1,395.00 | \$815.00 |
| \$1,680.00 | \$1,025.00 |
| \$1,445.00 | \$885.00 |
| \$1,285.00 | \$760.00 |
| \$1,285.00 | \$760.00 |
| \$975.00 | \$500.00 |
| \$645.00 | \$340.00 |

Class 4

| Set Range | Part # | Price |
|----------------|--------------|-------------|
| 25 kg - 1 g* | 12382 | \$13,575.00 |
| 20 kg - 1 mg | 12232 | \$9,950.00 |
| 20 kg - 100 mg | 46011 | \$9,775.00 |
| 20 kg - 1 g | 12235 | \$9,700.00 |
| 20 kg - 1 g* | 12384 | \$9,700.00 |
| 20 kg - 100 g | 46015 | \$9,225.00 |
| 20 kg - 1 kg | 46019 | \$8,500.00 |

Optional Certificate

| Accredited |
|------------|
| \$590.00 |
| \$900.00 |
| \$680.00 |
| \$610.00 |
| \$610.00 |
| \$395.00 |
| \$270.00 |

* 5-2-2-1 configuration



PN 11938 Set Includes Lifting Device, Glove and Case (20 kg to 1 mg)

Replacement Cases

| Main Cases | | |
|----------------|--------------|------------|
| Class 0 | | |
| Set Range | Part # | Price |
| 20 kg - 1 mg | 50670 | \$2,270.00 |
| 20 kg - 100 mg | 50670 | \$2,270.00 |
| 20 kg - 1 g | 50670 | \$2,270.00 |
| 20 kg - 100 g | 50670 | \$2,270.00 |
| 20 kg - 1 kg | 50670 | \$2,270.00 |

| Main Case | | |
|---------------------|--------------|------------|
| Class 1, 2, 3 and 4 | | |
| Set Range | Part # | Price |
| 25 kg - 1 g* | 11578 | \$2,240.00 |
| 20 kg - 1 mg | 11608 | \$2,240.00 |
| 20 kg - 100 mg | 11608 | \$2,240.00 |
| 20 kg - 1 g | 11608 | \$2,240.00 |
| 20 kg - 1 g* | 11579 | \$2,190.00 |
| 20 kg - 100 g | 11608 | \$2,240.00 |
| 20 kg - 1 kg | 11608 | \$2,240.00 |

MASS REFERENCE STANDARDS / METRIC SETS

Range: 20 kg and 25 kg

Weight Set Contents

| 5-2-2-1 | | | 5-2-2-1 | | | |
|--|---|---|---|--|--|--|
| 25 kg - 1g | 20 kg - 1mg | 20 kg - 100 mg | 20 kg - 1g | 20 kg - 1g | 20 kg - 100 g | 20 - 1kg |
| – 11883 Class 1 12140 Class 2 12279 Class 3 12382 Class 4 | 45900 Class 0 12489 Class 1 11938 Class 2 12086 Class 3 12232 Class 4 | 45901 Class 0 46008 Class 1 46009 Class 2 46010 Class 3 46011 Class 4 | 45902 Class 0 12492 Class 1 11941 Class 2 12089 Class 3 12235 Class 4 | – 11884 Class 1 12142 Class 2 12281 Class 3 12384 Class 4 | 45903 Class 0 46012 Class 1 46013 Class 2 46014 Class 3 46015 Class 4 | 45904 Class 0 46016 Class 1 46017 Class 2 46018 Class 3 46019 Class 4 |
| (1) 25 kg – (1) 10 kg (1) 5 kg – (2) 2 kg (1) 1kg (1) 500 g – (2) 200 g (1) 100 g (1) 50 g – (2) 20 g (1) 10 g (1) 5 g – (2) 2g (1) 1g | – (1) 20 kg (1) 10 kg (1) 5 kg (1) 3kg (1) 2 kg (1) 1kg (1) 500 g (1) 300 g (1) 200 g (1) 100 g (1) 50 g (1) 30 g (1) 20 g (1) 10 g (1) 5 g (1) 3 g (1) 2 g (1) 1g (1) 500 mg (1) 300 mg (1) 200 mg (1) 100 mg (1) 50 mg (1) 30 mg (1) 20 mg (1) 10 mg (1) 5 mg (1) 3 mg (1) 2 mg (1) 1mg | – (1) 20 kg (1) 10 kg (1) 5 kg (1) 3 kg (1) 2 kg (1) 1kg (1) 500 g (1) 300 g (1) 200 g (1) 100 g (1) 50 g (1) 30 g (1) 20 g (1) 10 g (1) 5 g (1) 3 g (1) 2 g (1) 1g (1) 500 mg (1) 300 mg (1) 200 mg (1) 100 mg | – (1) 20 kg (1) 10 kg (1) 5 kg (1) 3 kg (1) 2 kg (1) 1kg (1) 500 g (1) 300 g (1) 200 g (1) 100 g (1) 50 g (1) 30 g (1) 20 g (1) 10 g (1) 5 g (1) 3 g (1) 2 g (1) 1g | – (1) 20 kg (1) 10 kg (1) 5 kg – (2) 2 kg (1) 1kg (1) 500 g – (2) 200 g (1) 100 g (1) 50 g – (2) 20 g (1) 10 g (1) 5 g – (2) 2g (1) 1g | – (1) 20 kg (1) 10 kg (1) 5 kg (1) 3 kg (1) 2 kg (1) 1kg (1) 500 g (1) 300 g (1) 200 g (1) 100 g | – (1) 20 kg (1) 10 kg (1) 5 kg (1) 3 kg (1) 2 kg (1) 1kg |
| 18 pcs. 46.11kg set wt. | 30 pcs. 42.222221kg set wt. | 22 pcs. 42.22kg set wt. | 18 pcs. 42.22 kg set wt. | 18 pcs. 41.11kg set wt. | 10 pcs. 42.1kg set wt. | 6 pcs. 41kg set wt. |

**CALIBRATION WEIGHTS
ASTM PRECISION**

| Secondary Case | | |
|----------------|--------------|----------|
| Class 0 | | |
| Set Range | Part # | Price |
| 100 g - 1mg* | 11588 | \$190.00 |
| 100 g - 1mg | 49503 | \$265.00 |
| Insert, 100 g | 49489 | \$170.00 |

| Secondary Case | | |
|---------------------|--------------|----------|
| Class 1, 2, 3 and 4 | | |
| Set Range | Part # | Price |
| 100 g - 1mg* | 11588 | \$190.00 |
| 100 g - 1mg | 11596 | \$190.00 |
| Insert, 100 g | 46380 | \$130.00 |

Accessories

| Description | Part # | Price |
|---|---------------|---------|
| Statement of Accuracy | 36092 | \$47.50 |
| Weight glove, white cotton | 11714 | \$7.25 |
| Tweezer | 11711 | \$5.25 |
| Premium tweezer | 152414 | \$45.50 |
| Serial number | 25836 | \$17.00 |
| Leaf weight cover | 11755 | \$45.50 |
| Weight forceps, plastic | 50035 | \$45.50 |
| Lifter bar | 11747 | \$22.25 |
| Lifter bar, large handle | 11712 | \$77.00 |
| Tong assembly, Class 0 | 50000 | \$78.00 |
| Lifter (Class 0 and OIML 2 kg and 5 kg) | 50037 | \$57.00 |

* 5-2-2-1 configuration

MASS REFERENCE STANDARDS / AVOIRDUPOIS SETS

Range: 2 lb through 50 lb

**CALIBRATION WEIGHTS
ASTM PRECISION**

Class 1

| Set Range | Part # | Price |
|-----------------|---------------|-------------|
| 50 lb - 1/32 oz | 11999 | \$21,875.00 |
| 50 lb - 0.001lb | 119043 | \$21,875.00 |
| 20 lb - 1/32 oz | 11997 | \$10,475.00 |
| 20 lb - 0.001lb | 119047 | \$10,475.00 |
| 10 lb - 1/32 oz | 11995 | \$7,325.00 |
| 10 lb - 0.001lb | 119051 | \$7,325.00 |
| 5 lb - 1/32 oz | 11993 | \$5,600.00 |
| 5 lb - 0.001lb | 119055 | \$5,600.00 |
| 2 lb - 1/32 oz | 11991 | \$3,750.00 |
| 2 lb - 0.001lb | 119059 | \$3,750.00 |

Optional Certificate

| Accredited | Non-accredited |
|------------|----------------|
| \$1,260.00 | \$800.00 |
| \$1,260.00 | \$800.00 |
| \$950.00 | \$670.00 |
| \$950.00 | \$670.00 |
| \$830.00 | \$600.00 |
| \$830.00 | \$600.00 |
| \$725.00 | \$530.00 |
| \$725.00 | \$530.00 |
| \$545.00 | \$415.00 |
| \$545.00 | \$415.00 |

Class 2

| Set Range | Part # | Price |
|-----------------|---------------|-------------|
| 50 lb - 1/32 oz | 12145 | \$21,650.00 |
| 50 lb - 0.001lb | 119044 | \$21,650.00 |
| 20 lb - 1/32 oz | 12143 | \$10,475.00 |
| 20 lb - 0.001lb | 119048 | \$10,475.00 |
| 10 lb - 1/32 oz | 12141 | \$7,325.00 |
| 10 lb - 0.001lb | 119052 | \$7,125.00 |
| 5 lb - 1/32 oz | 12139 | \$5,400.00 |
| 5 lb - 0.001lb | 119056 | \$5,400.00 |
| 2 lb - 1/32 oz | 12137 | \$3,575.00 |
| 2 lb - 0.001lb | 119060 | \$3,575.00 |

Optional Certificate

| Accredited | Non-accredited |
|------------|----------------|
| \$1,260.00 | \$800.00 |
| \$1,260.00 | \$800.00 |
| \$950.00 | \$670.00 |
| \$950.00 | \$670.00 |
| \$830.00 | \$600.00 |
| \$830.00 | \$600.00 |
| \$725.00 | \$530.00 |
| \$725.00 | \$530.00 |
| \$545.00 | \$415.00 |
| \$545.00 | \$415.00 |

Class 3

| Set Range | Part # | Price |
|-----------------|---------------|-------------|
| 50 lb - 1/32 oz | 12284 | \$21,350.00 |
| 50 lb - 0.001lb | 119045 | \$21,350.00 |
| 20 lb - 1/32 oz | 12282 | \$10,250.00 |
| 20 lb - 0.001lb | 119049 | \$10,450.00 |
| 10 lb - 1/32 oz | 12280 | \$7,025.00 |
| 10 lb - 0.001lb | 119053 | \$7,025.00 |
| 5 lb - 1/32 oz | 12278 | \$5,350.00 |
| 5 lb - 0.001lb | 119057 | \$5,350.00 |
| 2 lb - 1/32 oz | 12276 | \$3,400.00 |
| 2 lb - 0.001lb | 119061 | \$3,400.00 |

Optional Certificate

| Accredited | Non-accredited |
|------------|----------------|
| \$1,260.00 | \$800.00 |
| \$1,260.00 | \$800.00 |
| \$950.00 | \$670.00 |
| \$950.00 | \$670.00 |
| \$830.00 | \$600.00 |
| \$830.00 | \$600.00 |
| \$725.00 | \$530.00 |
| \$725.00 | \$530.00 |
| \$545.00 | \$415.00 |
| \$545.00 | \$415.00 |

Class 4

| Set Range | Part # | Price |
|-----------------|---------------|-------------|
| 50 lb - 1/32 oz | 12387 | \$20,825.00 |
| 50 lb - 0.001lb | 119046 | \$20,825.00 |
| 20 lb - 1/32 oz | 12385 | \$9,625.00 |
| 20 lb - 0.001lb | 119050 | \$9,625.00 |
| 10 lb - 1/32 oz | 12383 | \$6,925.00 |
| 10 lb - 0.001lb | 119054 | \$6,925.00 |
| 5 lb - 1/32 oz | 12381 | \$4,825.00 |
| 5 lb - 0.001lb | 119058 | \$4,825.00 |
| 2 lb - 1/32 oz | 12379 | \$3,125.00 |
| 2 lb - 0.001lb | 119062 | \$3,125.00 |

Optional Certificate

| Accredited |
|------------|
| \$605.00 |
| \$605.00 |
| \$500.00 |
| \$500.00 |
| \$465.00 |
| \$465.00 |
| \$410.00 |
| \$410.00 |
| \$325.00 |
| \$325.00 |



PN 11995 Set Includes Lifting Device, Glove and Case (10 lb to 1/32 oz)

Range: 2 lb through 50 lb

Weight Set Contents

| 50 lb - 1/32 oz | 50 lb - 0.001lb | 20 lb - 1/32 oz | 20 lb - 0.001lb | 10 lb - 1/32 oz | 10 lb - 0.001lb | 5 lb - 1/32 oz | 5 lb - 0.001lb | 2 lb - 1/32 oz | 2 lb - 0.001lb |
|----------------------------------|----------------------------------|---------------------------------|---------------------------------|---------------------------------|---------------------------------|---------------------------------|---------------------------------|--------------------------------|--------------------------------|
| 11999 Class 1 | 119043 Class 1 | 11997 Class 1 | 119047 Class 1 | 11995 Class 1 | 119051 Class 1 | 11993 Class 1 | 119055 Class 1 | 11991 Class 1 | 119059 Class 1 |
| 12145 Class 2 | 119044 Class 2 | 12143 Class 2 | 119048 Class 2 | 12141 Class 2 | 119052 Class 2 | 12139 Class 2 | 119056 Class 2 | 12137 Class 2 | 119060 Class 2 |
| 12284 Class 3 | 119045 Class 3 | 12282 Class 3 | 119049 Class 3 | 12280 Class 3 | 119053 Class 3 | 12278 Class 3 | 119057 Class 3 | 12276 Class 3 | 119061 Class 3 |
| 12387 Class 4 | 119046 Class 4 | 12385 Class 4 | 119050 Class 4 | 12383 Class 4 | 119054 Class 4 | 12381 Class 4 | 119058 Class 4 | 12379 Class 4 | 119062 Class 4 |
| (1) 50 lb | (1) 50 lb | — | — | — | — | — | — | — | — |
| (1) 30 lb | (1) 30 lb | — | — | — | — | — | — | — | — |
| (1) 20 lb | (1) 20 lb | (1) 20 lb | (1) 20 lb | — | — | — | — | — | — |
| (1) 10 lb | (1) 10 lb | (1) 10 lb | (1) 10 lb | (1) 10 lb | (1) 10 lb | — | — | — | — |
| (1) 5 lb | (1) 5 lb | (1) 5 lb | (1) 5 lb | (1) 5 lb | (1) 5 lb | (1) 5 lb | (1) 5 lb | — | — |
| (1) 3 lb | (1) 3 lb | (1) 3 lb | (1) 3 lb | (1) 3 lb | (1) 3 lb | (1) 3 lb | (1) 3 lb | — | — |
| (1) 2 lb | (1) 2 lb | (1) 2 lb | (1) 2 lb | (1) 2 lb | (1) 2 lb | (1) 2 lb | (1) 2 lb | (1) 2 lb | (1) 2 lb |
| (1) 1 lb | (1) 1 lb | (1) 1 lb | (1) 1 lb | (1) 1 lb | (1) 1 lb | (1) 1 lb | (1) 1 lb | (1) 1 lb | (1) 1 lb |
| (1) 8 oz | (1) 0.5 lb | (1) 8 oz | (1) 0.5 lb | (1) 8 oz | (1) 0.5 lb | (1) 8 oz | (1) 0.5 lb | (1) 8 oz | (1) 0.5 lb |
| (1) 4 oz | (1) 0.3 lb | (1) 4 oz | (1) 0.3 lb | (1) 4 oz | (1) 0.3 lb | (1) 4 oz | (1) 0.3 lb | (1) 4 oz | (1) 0.3 lb |
| (1) 2 oz | (1) 0.2 lb | (1) 2 oz | (1) 0.2 lb | (1) 2 oz | (1) 0.2 lb | (1) 2 oz | (1) 0.2 lb | (1) 2 oz | (1) 0.2 lb |
| (1) 1 oz | (1) 0.1 lb | (1) 1 oz | (1) 0.1 lb | (1) 1 oz | (1) 0.1 lb | (1) 1 oz | (1) 0.1 lb | (1) 1 oz | (1) 0.1 lb |
| (1) 1/2 oz | (1) 0.05 lb | (1) 1/2 oz | (1) 0.05 lb | (1) 1/2 oz | (1) 0.05 lb | (1) 1/2 oz | (1) 0.05 lb | (1) 1/2 oz | (1) 0.05 lb |
| (1) 1/4 oz | (1) 0.03 lb | (1) 1/4 oz | (1) 0.03 lb | (1) 1/4 oz | (1) 0.03 lb | (1) 1/4 oz | (1) 0.03 lb | (1) 1/4 oz | (1) 0.03 lb |
| (1) 1/8 oz | (1) 0.02 lb | (1) 1/8 oz | (1) 0.02 lb | (1) 1/8 oz | (1) 0.02 lb | (1) 1/8 oz | (1) 0.02 lb | (1) 1/8 oz | (1) 0.02 lb |
| (1) 1/16 oz | (1) 0.01 lb | (1) 1/16 oz | (1) 0.01 lb | (1) 1/16 oz | (1) 0.01 lb | (1) 1/16 oz | (1) 0.01 lb | (1) 1/16 oz | (1) 0.01 lb |
| (2) 1/32 oz | (1) 0.005 lb | (2) 1/32 oz | (1) 0.005 lb | (2) 1/32 oz | (1) 0.005 lb | (2) 1/32 oz | (1) 0.005 lb | (2) 1/32 oz | (1) 0.005 lb |
| | (1) 0.003 lb | | (1) 0.003 lb | | (1) 0.003 lb | | (1) 0.003 lb | | (1) 0.003 lb |
| | (1) 0.002 lb | | (1) 0.002 lb | | (1) 0.002 lb | | (1) 0.002 lb | | (1) 0.002 lb |
| | (1) 0.001 lb | | (1) 0.001 lb | | (1) 0.001 lb | | (1) 0.001 lb | | (1) 0.001 lb |
| 18 pcs. 122 lb set wt. | 20 pcs. 122 lb set wt. | 16 pcs. 42 lb set wt. | 18 pcs. 42 lb set wt. | 15 pcs. 22 lb set wt. | 17 pcs. 22 lb set wt. | 14 pcs. 12 lb set wt. | 16 pcs. 12 lb set wt. | 12 pcs. 4 lb set wt. | 14 pcs. 4 lb set wt. |

**CALIBRATION WEIGHTS
ASTM PRECISION**

Replacement Cases

| Main Cases | | |
|---------------------|--------------|------------|
| Class 1, 2, 3 and 4 | | |
| Set Range | Part # | Price |
| 50 lb - 1/32 oz | 11589 | \$2,240.00 |
| 50 lb - 0.001lb | 11589 | \$2,240.00 |
| 20 lb - 1/32 oz | 11590 | \$2,400.00 |
| 20 lb - 0.001lb | 11590 | \$2,400.00 |
| 10 lb - 1/32 oz | 11591 | \$1,920.00 |
| 10 lb - 0.001lb | 11591 | \$1,920.00 |
| 5 lb - 1/32 oz | 11592 | \$1,490.00 |
| 5 lb - 0.001lb | 11592 | \$1,490.00 |
| 2 lb - 1/32 oz | 11593 | \$1,940.00 |
| 2 lb - 0.001lb | 11593 | \$1,940.00 |

| Secondary Case | | |
|---------------------|---------------|----------|
| Class 1, 2, 3 and 4 | | |
| Set Range | Part # | Price |
| 4 oz - 1/32 oz | 11610 | \$330.00 |
| 0.3 lb to 0.001 lb | 118813 | \$310.00 |

Accessories

| Description | Part # | Price |
|---|---------------|---------|
| Statement of Accuracy | 36092 | \$47.50 |
| Weight glove, white cotton | 11714 | \$7.25 |
| Tweezer | 11711 | \$5.25 |
| Premium tweezer | 152414 | \$45.50 |
| Serial number | 25836 | \$17.00 |
| Leaf weight cover | 11755 | \$45.50 |
| Weight forceps, plastic | 50035 | \$45.50 |
| Lifter bar | 11747 | \$22.25 |
| Lifter bar, large handle | 11712 | \$77.00 |
| Tong assembly, Class 0 | 50000 | \$78.00 |
| Lifter (Class 0 and OIML 2 kg and 5 kg) | 50037 | \$57.00 |

MASS REFERENCE STANDARDS / METRIC SINGLE WEIGHT WITH CASE (KITS)

Range: 20 kg – 1g

**CALIBRATION WEIGHTS
OIML PRECISION**

Class E1 Polished Finish
Statement of Accuracy not available.

| Weight | Part # | Price | Certificate Accredited |
|--------|--------------|------------|------------------------|
| 10 kg | 36872 | \$3,825.00 | Included |
| 5 kg | 29785 | \$2,525.00 | Included |
| 2 kg | 29784 | \$1,810.00 | Included |
| 1 kg | 29783 | \$1,220.00 | Included |
| 500 g | 29782 | \$905.00 | Included |
| 200 g | 29781 | \$780.00 | Included |
| 100 g | 29780 | \$725.00 | Included |
| 50 g | 29779 | \$650.00 | Included |
| 20 g | 29778 | \$645.00 | Included |
| 10 g | 29777 | \$640.00 | Included |
| 5 g | 29776 | \$575.00 | Included |
| 2 g | 29745 | \$575.00 | Included |
| 1 g | 29744 | \$550.00 | Included |

Class E2 Polished Finish
Statement of Accuracy not available.

| Weight | Part # | Price | Certificate Accredited |
|--------|--------------|------------|------------------------|
| 20 kg | 53850 | \$3,425.00 | Included |
| 10 kg | 36871 | \$2,825.00 | Included |
| 5 kg | 29775 | \$1,580.00 | Included |
| 2 kg | 29774 | \$995.00 | Included |
| 1 kg | 29773 | \$745.00 | Included |
| 500 g | 29772 | \$515.00 | Included |
| 200 g | 29771 | \$410.00 | Included |
| 100 g | 29770 | \$200.00 | Included |
| 50 g | 29769 | \$195.00 | Included |
| 20 g | 29768 | \$195.00 | Included |
| 10 g | 29767 | \$185.00 | Included |
| 5 g | 29766 | \$160.00 | Included |
| 2 g | 29743 | \$160.00 | Included |
| 1 g | 29742 | \$160.00 | Included |

Class F1 Polished Finish

| Weight | Part # | Price | Optional Certificate | |
|--------|--------------|------------|----------------------|----------------|
| | | | Accredited | Non-accredited |
| 20 kg | 53654 | \$2,525.00 | \$145.00 | \$80.00 |
| 10 kg | 36870 | \$2,040.00 | \$145.00 | \$80.00 |
| 5 kg | 29765 | \$1,230.00 | \$145.00 | \$80.00 |
| 2 kg | 29764 | \$720.00 | \$145.00 | \$80.00 |
| 1 kg | 29763 | \$510.00 | \$125.00 | \$60.00 |
| 500 g | 29762 | \$295.00 | \$125.00 | \$60.00 |
| 200 g | 29761 | \$235.00 | \$125.00 | \$60.00 |
| 100 g | 29760 | \$165.00 | \$55.00 | \$45.00 |
| 50 g | 29759 | \$145.00 | \$55.00 | \$45.00 |
| 20 g | 29758 | \$145.00 | \$55.00 | \$45.00 |
| 10 g | 29757 | \$145.00 | \$55.00 | \$45.00 |
| 5 g | 29756 | \$145.00 | \$55.00 | \$45.00 |
| 2 g | 29741 | \$145.00 | \$55.00 | \$45.00 |
| 1 g | 29740 | \$145.00 | \$55.00 | \$45.00 |

Class F2 Polished Finish

| Weight | Part # | Price | Optional Certificate | |
|--------|--------------|------------|----------------------|----------------|
| | | | Accredited | Non-accredited |
| 20 kg | 53655 | \$2,410.00 | \$145.00 | \$80.00 |
| 10 kg | 36869 | \$1,580.00 | \$145.00 | \$80.00 |
| 5 kg | 29755 | \$860.00 | \$145.00 | \$80.00 |
| 2 kg | 29754 | \$680.00 | \$145.00 | \$80.00 |
| 1 kg | 29753 | \$440.00 | \$125.00 | \$60.00 |
| 500 g | 29752 | \$295.00 | \$125.00 | \$60.00 |
| 200 g | 29751 | \$230.00 | \$125.00 | \$60.00 |
| 100 g | 29750 | \$140.00 | \$55.00 | \$45.00 |
| 50 g | 29749 | \$140.00 | \$55.00 | \$45.00 |
| 20 g | 29748 | \$140.00 | \$55.00 | \$45.00 |
| 10 g | 29747 | \$98.00 | \$55.00 | \$45.00 |
| 5 g | 29746 | \$140.00 | \$55.00 | \$45.00 |
| 2 g | 29739 | \$140.00 | \$55.00 | \$45.00 |
| 1 g | 29738 | \$140.00 | \$55.00 | \$45.00 |



PN 29780 Kits Include Glove with Cased Weight

Accessories

| Description | Part # | Price |
|----------------------------|---------------|---------|
| Statement of Accuracy | 36092 | \$47.50 |
| Weight glove, white cotton | 11714 | \$7.25 |
| Premium tweezers | 152414 | \$45.50 |

MASS REFERENCE STANDARDS / METRIC SINGLE WEIGHT WITH CASE (KITS)

Range: 500 mg – 1 mg

Class E1 Polished Finish

Statement of Accuracy not available.

| Weight | Part # | Price |
|--------|--------------|----------|
| 500 mg | 29737 | \$310.00 |
| 200 mg | 29736 | \$310.00 |
| 100 mg | 29735 | \$310.00 |
| 50 mg | 29734 | \$310.00 |
| 20 mg | 29733 | \$310.00 |
| 10 mg | 29732 | \$310.00 |
| 5 mg | 29713 | \$310.00 |
| 2 mg | 29712 | \$310.00 |
| 1 mg | 29711 | \$310.00 |

Certificate

| Accredited |
|------------|
| Included |
| Included |
| Included |
| Included |
| Included |
| Included |
| Included |
| Included |
| Included |
| Included |

Class F2 Polished Finish

| Weight | Part # | Price |
|--------|--------------|---------|
| 500 mg | 29719 | \$51.00 |
| 200 mg | 29718 | \$51.00 |
| 100 mg | 29717 | \$51.00 |
| 50 mg | 29716 | \$51.00 |
| 20 mg | 29715 | \$51.00 |
| 10 mg | 29714 | \$51.00 |
| 5 mg | 29704 | \$51.00 |
| 2 mg | 29703 | \$51.00 |
| 1 mg | 29702 | \$51.00 |

Optional Certificate

| Accredited | Accredited |
|------------|------------|
| \$55.00 | \$45.00 |
| \$55.00 | \$45.00 |
| \$55.00 | \$45.00 |
| \$55.00 | \$45.00 |
| \$55.00 | \$45.00 |
| \$55.00 | \$45.00 |
| \$55.00 | \$45.00 |
| \$55.00 | \$45.00 |
| \$55.00 | \$45.00 |
| \$55.00 | \$45.00 |

Class E2 Polished Finish

Statement of Accuracy not available.

| Weight | Part # | Price |
|--------|--------------|----------|
| 500 mg | 29731 | \$160.00 |
| 200 mg | 29730 | \$160.00 |
| 100 mg | 29729 | \$160.00 |
| 50 mg | 29728 | \$160.00 |
| 20 mg | 29727 | \$160.00 |
| 10 mg | 29726 | \$160.00 |
| 5 mg | 29710 | \$160.00 |
| 2 mg | 29709 | \$160.00 |
| 1 mg | 29708 | \$160.00 |

Certificate

| Accredited |
|------------|
| Included |
| Included |
| Included |
| Included |
| Included |
| Included |
| Included |
| Included |
| Included |

Class F1 Polished Finish

| Weight | Part # | Price |
|--------|--------------|---------|
| 500 mg | 29725 | \$57.00 |
| 200 mg | 29724 | \$57.00 |
| 100 mg | 29723 | \$57.00 |
| 50 mg | 29722 | \$57.00 |
| 20 mg | 29721 | \$57.00 |
| 10 mg | 29720 | \$57.00 |
| 5 mg | 29707 | \$57.00 |
| 2 mg | 29706 | \$57.00 |
| 1 mg | 29705 | \$57.00 |

Optional Certificate

| Accredited | Non-Accredited |
|------------|----------------|
| \$55.00 | \$45.00 |
| \$55.00 | \$45.00 |
| \$55.00 | \$45.00 |
| \$55.00 | \$45.00 |
| \$55.00 | \$45.00 |
| \$55.00 | \$45.00 |
| \$55.00 | \$45.00 |
| \$55.00 | \$45.00 |
| \$55.00 | \$45.00 |



CALIBRATION WEIGHTS
OIML PRECISION

Accessories

| Description | Part # | Price |
|----------------------------|---------------|---------|
| Statement of Accuracy | 36092 | \$47.50 |
| Weight glove, white cotton | 11714 | \$7.25 |
| Premium tweezer | 152414 | \$45.50 |
| Vial for mg weights | 50038 | \$5.25 |

MASS REFERENCE STANDARDS / METRIC SINGLE WEIGHTS

Range: 20 kg – 1 mg

Class M1 Satin Finish
(case included)

| Weight | Part # | Price | Optional Certificate Accredited |
|--------|--------|------------|---------------------------------|
| 20 kg | 156292 | \$1,530.00 | \$75.00 |
| 10 kg | 156291 | \$1,310.00 | \$75.00 |
| 5 kg | 116207 | \$595.00 | \$75.00 |
| 2 kg | 116206 | \$340.00 | \$75.00 |
| 1 kg | 116205 | \$240.00 | \$55.00 |
| 500 g | 116204 | \$140.00 | \$55.00 |
| 200 g | 116203 | \$125.00 | \$55.00 |
| 100 g | 111927 | \$92.00 | \$40.00 |
| 50 g | 111928 | \$87.00 | \$40.00 |
| 20 g | 111929 | \$83.00 | \$40.00 |
| 10 g | 111930 | \$83.00 | \$40.00 |
| 5 g | 111931 | \$77.00 | \$40.00 |
| 2 g | 111932 | \$77.00 | \$40.00 |
| 1 g | 111933 | \$77.00 | \$40.00 |
| 500 mg | 202833 | \$25.50 | \$40.00 |
| 200 mg | 202835 | \$25.50 | \$40.00 |
| 100 mg | 202836 | \$25.50 | \$40.00 |
| 50 mg | 202837 | \$25.50 | \$40.00 |
| 20 mg | 202838 | \$25.50 | \$40.00 |
| 10 mg | 202839 | \$25.50 | \$40.00 |
| 5 mg | 202840 | \$25.50 | \$40.00 |
| 2 mg | 202841 | \$25.50 | \$40.00 |
| 1 mg | 202842 | \$25.50 | \$40.00 |

Class M2 Satin Finish
M2 is sold as a single weight, accessory cases are available.

| Weight | Part # | Price | Optional Certificate Accredited |
|--------|--------|----------|---------------------------------|
| 5 kg | 115926 | \$255.00 | \$75.00 |
| 2 kg | 115925 | \$160.00 | \$75.00 |
| 1 kg | 115924 | \$86.00 | \$55.00 |
| 500 g | 115923 | \$79.00 | \$55.00 |
| 200 g | 115922 | \$62.00 | \$55.00 |
| 100 g | 111934 | \$54.00 | \$40.00 |
| 50 g | 111935 | \$49.00 | \$40.00 |
| 20 g | 111936 | \$43.50 | \$40.00 |
| 10 g | 111937 | \$43.50 | \$40.00 |
| 5 g | 111938 | \$39.50 | \$40.00 |
| 2 g | 111939 | \$39.50 | \$40.00 |
| 1 g | 111940 | \$39.50 | \$40.00 |

CALIBRATION WEIGHTS
OIML PRECISION



PN 152414 Premium Tweezer

Replacement Cases

| Main Cases | | |
|---------------|--------|----------|
| Class M1 | | |
| Nominal Value | Part # | Price |
| 20 kg | 156290 | \$590.00 |
| 10 kg | 156289 | \$590.00 |
| 5 kg | 225891 | Consult |
| 2 kg | 190266 | \$40.50 |
| 1 kg | 190262 | \$40.50 |
| 500 g | 189711 | \$40.50 |
| 200 g | 196466 | \$39.50 |
| 100 g | 189566 | \$44.50 |
| 50 g | 189487 | \$44.50 |
| 20 g | 189477 | \$44.50 |
| 10 g | 189351 | \$44.50 |
| 5 g | 189240 | \$44.50 |
| 2 g | 189236 | \$44.50 |
| 1 g | 188285 | \$44.50 |
| 500 mg | 50038 | \$5.25 |
| 200 mg | 50038 | \$5.25 |
| 100 mg | 50038 | \$5.25 |
| 50 mg | 50038 | \$5.25 |
| 20 mg | 50038 | \$5.25 |
| 10 mg | 50038 | \$5.25 |
| 5 mg | 50038 | \$5.25 |
| 2 mg | 50038 | \$5.25 |
| 1 mg | 50038 | \$5.25 |

Replacement Cases

| Main Cases | | |
|---------------|--------|---------|
| Class M2 | | |
| Nominal Value | Part # | Price |
| 5 kg | 225892 | Consult |
| 2 kg | 190266 | \$40.50 |
| 1 kg | 190262 | \$40.50 |
| 500 g | 189711 | \$40.50 |
| 200 g | 196466 | \$39.50 |
| 100 g | 189566 | \$44.50 |
| 50 g | 189487 | \$44.50 |
| 20 g | 189477 | \$44.50 |
| 10 g | 189351 | \$44.50 |
| 5 g | 189240 | \$44.50 |
| 2 g | 189236 | \$44.50 |
| 1 g | 188285 | \$44.50 |

Accessories

| Description | Part # | Price |
|----------------------------|--------|---------|
| Statement of Accuracy | 36092 | \$47.50 |
| Weight glove, white cotton | 11714 | \$7.25 |
| Premium tweezer | 152414 | \$45.50 |

MASS REFERENCE STANDARDS / METRIC SETS

Range: 500 mg – 50 g

Class E1 Polished Finish
Statement of Accuracy not available.

| Set Range | Part # | Price |
|-----------------|--------------|------------|
| 500 mg - 1 mg | 30850 | \$2,280.00 |
| 500 mg - 100 mg | 30854 | \$1,160.00 |

Certificate

| Accredited |
|------------|
| Included |
| Included |

Class E2 Polished Finish
Statement of Accuracy not available.

| Set Range | Part # | Price |
|-----------------|--------------|------------|
| 500 mg - 1 mg | 30851 | \$1,560.00 |
| 500 mg - 100 mg | 30855 | \$990.00 |
| 50 g - 1 mg | 96477 | \$2,330.00 |
| 50 g - 1 g | 96478 | \$1,280.00 |

Certificate

| Accredited |
|------------|
| Included |
| Included |
| Included |
| Included |

Class F1 Polished Finish

| Set Range | Part # | Price |
|-----------------|--------------|------------|
| 500 mg - 1 mg | 30852 | \$650.00 |
| 500 mg - 100 mg | 30856 | \$475.00 |
| 50 g - 1 mg | 96479 | \$1,260.00 |
| 50 g - 1 g | 96480 | \$770.00 |

Optional Certificate

| Accredited | Non-accredited |
|------------|----------------|
| \$470.00 | \$375.00 |
| \$155.00 | \$125.00 |
| \$790.00 | \$630.00 |
| \$310.00 | \$250.00 |

Class F2 Polished Finish

| Set Range | Part # | Price |
|-----------------|--------------|------------|
| 500 mg - 1 mg | 30853 | \$645.00 |
| 500 mg - 100 mg | 30857 | \$365.00 |
| 50 g - 1 mg | 96481 | \$1,030.00 |
| 50 g - 1 g | 96482 | \$755.00 |

Optional Certificate

| Accredited | Non-accredited |
|------------|----------------|
| \$470.00 | \$375.00 |
| \$155.00 | \$125.00 |
| \$790.00 | \$630.00 |
| \$310.00 | \$250.00 |

Class M1 Satin Finish

| Set Range | Part # | Price |
|---------------|---------------|----------|
| 500 mg - 1 mg | 161537 | \$475.00 |

Optional Certificate

| Accredited |
|------------|
| \$280.00 |

Weight Set Contents

| 500 mg - 1 mg | 500 mg - 100 mg | 50 g - 1 mg | 50 g - 1 g |
|---------------------------------|-----------------------------|-----------------------------------|-------------------------------|
| 30850 Class E1 | 30854 Class E1 | – | – |
| 30851 Class E2 | 30855 Class E2 | 96477 Class E2 | 96478 Class E2 |
| 30852 Class F1 | 30856 Class F1 | 96479 Class F1 | 96480 Class F1 |
| 30853 Class F2 | 30857 Class F2 | 96481 Class F2 | 96482 Class F2 |
| 161537 Class M1 | – | – | – |
| – | – | (1) 50 g | (1) 50 g |
| – | – | (2) 20 g | (2) 20 g |
| – | – | (1) 10 g | (1) 10 g |
| – | – | (1) 5 g | (1) 5 g |
| – | – | (2) 2 g | (2) 2 g |
| – | – | (1) 1 g | (1) 1 g |
| (1) 500 mg | (1) 500 mg | (1) 500 mg | |
| (2) 200 mg | (2) 200 mg | (2) 200 mg | |
| (1) 100 mg | (1) 100 mg | (1) 100 mg | |
| (1) 50 mg | | (1) 50 mg | |
| (2) 20 mg | | (2) 20 mg | |
| (1) 10 mg | | (1) 10 mg | |
| (1) 5 mg | | (1) 5 mg | |
| (2) 2 mg | | (2) 2 mg | |
| (1) 1 mg | | (1) 1 mg | |
| 12 pcs. 1.11g set wt. | 4 pcs. 1g set wt. | 20 pcs. 111.11g set wt. | 8 pcs. 108g set wt. |

CALIBRATION WEIGHTS
OIML PRECISION

Replacement Cases

| Main Case | | |
|-------------------------|--------------|----------|
| Class E1, E2, F1 and F2 | | |
| Set Range | Part # | Price |
| 500 mg - 1 mg | 34699 | \$135.00 |
| 500 mg - 100 mg | 34699 | \$135.00 |
| 50 g - 1 mg | 34697 | \$240.00 |
| 50 g - 1 g | 34697 | \$240.00 |

Accessories

| Description | Part # | Price |
|---|---------------|---------|
| Statement of Accuracy | 36092 | \$47.50 |
| Weight glove, white cotton | 11714 | \$7.25 |
| Tweezer | 11711 | \$5.25 |
| Premium tweezer | 152414 | \$45.50 |
| Serial number | 25836 | \$17.00 |
| Leaf weight cover | 11755 | \$45.50 |
| Weight forceps, plastic | 50035 | \$45.50 |
| Tong assembly, Class 0 | 50000 | \$78.00 |
| Lifter (Class 0 and OIML 2 kg and 5 kg) | 50037 | \$57.00 |



Set Includes Lifting Device, Glove and Case

MASS REFERENCE STANDARDS / METRIC SETS

Range: 100 g

Class E1 Polished Finish
Statement of Accuracy not available.

| Set Range | Part # | Price | Certificate Accredited |
|----------------|--------------|------------|------------------------|
| 100 g - 1mg | 30838 | \$5,600.00 | Included |
| 100 g - 100 mg | 30842 | \$4,400.00 | Included |
| 100 g - 1g | 30846 | \$3,625.00 | Included |

Class E2 Polished Finish
Statement of Accuracy not available.

| Set Range | Part # | Price | Certificate Accredited |
|----------------|--------------|------------|------------------------|
| 100 g - 1mg | 30839 | \$2,575.00 | Included |
| 100 g - 100 mg | 30843 | \$1,840.00 | Included |
| 100 g - 1g | 30847 | \$1,370.00 | Included |

Class F1 Polished Finish

| Set Range | Part # | Price | Optional Certificate | |
|----------------|--------------|------------|----------------------|----------------|
| | | | Accredited | Non-accredited |
| 100 g - 1mg | 30840 | \$1,340.00 | \$830.00 | \$590.00 |
| 100 g - 100 mg | 30844 | \$1,130.00 | \$510.00 | \$405.00 |
| 100 g - 1g | 30848 | \$880.00 | \$355.00 | \$280.00 |

Class F2 Polished Finish

| Set Range | Part # | Price | Optional Certificate | |
|----------------|--------------|------------|----------------------|----------------|
| | | | Accredited | Non-accredited |
| 100 g - 1mg | 30841 | \$1,050.00 | \$830.00 | \$590.00 |
| 100 g - 100 mg | 30845 | \$1,040.00 | \$510.00 | \$405.00 |
| 100 g - 1g | 30849 | \$840.00 | \$355.00 | \$280.00 |

Class M1 Satin Finish

| Set Range | Part # | Price | Optional Certificate Accredited |
|-------------|---------------|------------|---------------------------------|
| 100 g - 1mg | 119561 | \$1,000.00 | \$505.00 |
| 100 g - 1g | 119560 | \$695.00 | \$215.00 |

CALIBRATION WEIGHTS
OIML PRECISION

Replacement Cases

| Main Cases | | |
|-------------------------|--------------|----------|
| Class E1, E2, F1 and F2 | | |
| Set Range | Part # | Price |
| 100 g - 1mg | 34697 | \$240.00 |
| 100 g - 100 mg | 34697 | \$240.00 |
| 100 g - 1g | 34697 | \$240.00 |

| Main Cases | | |
|-------------|--------------|----------|
| Class M1 | | |
| Set Range | Part # | Price |
| 100 g - 1mg | 34697 | \$240.00 |
| 100 g - 1g | 34697 | \$240.00 |

Accessories

| Description | Part # | Price |
|----------------------------|---------------|---------|
| Statement of Accuracy | 36092 | \$47.50 |
| Weight glove, white cotton | 11714 | \$7.25 |
| Tweezer | 11711 | \$5.25 |
| Premium tweezer | 152414 | \$45.50 |
| Serial number | 25836 | \$17.00 |
| Leaf weight cover | 11755 | \$45.50 |
| Weight forceps, plastic | 50035 | \$45.50 |

MASS REFERENCE STANDARDS / METRIC SETS

Range: 100 g

Weight Set Contents

| 100 g - 1 mg | 100 g - 100 mg | 100 g - 1 g |
|--|---------------------------------------|--------------------------------------|
| 30838 Class E1 | 30842 Class E1 | 30846 Class E1 |
| 30839 Class E2 | 30843 Class E2 | 30847 Class E2 |
| 30840 Class F1 | 30844 Class F1 | 30848 Class F1 |
| 30841 Class F2 | 30845 Class F2 | 30849 Class F2 |
| 119561 Class M1 | – | 119560 Class M1 |
| (1) 100 g | (1) 100 g | (1) 100 g |
| (1) 50 g | (1) 50 g | (1) 50 g |
| (2) 20 g | (2) 20 g | (2) 20 g |
| (1) 10 g | (1) 10 g | (1) 10 g |
| (1) 5 g | (1) 5 g | (1) 5 g |
| (2) 2 g | (2) 2 g | (2) 2 g |
| (1) 1 g | (1) 1 g | (1) 1 g |
| (1) 500 mg | (1) 500 mg | |
| (2) 200 mg | (2) 200 mg | |
| (1) 100 mg | (1) 100 mg | |
| (1) 50 mg | | |
| (2) 20 mg | | |
| (1) 10 mg | | |
| (1) 5 mg | | |
| (2) 2 mg | | |
| (1) 1 mg | | |
| 21 pcs. 211.11g set wt. | 13 pcs. 211g set wt. | 9 pcs. 210g set wt. |

**CALIBRATION WEIGHTS
OIML PRECISION**



PN 30838 Set Includes Lifting Device, Glove and Case (100 g to 1 mg)

MASS REFERENCE STANDARDS / METRIC SETS

Range: 200 g

CALIBRATION WEIGHTS
OIML PRECISION

Class E1 Polished Finish
Statement of Accuracy not available.

| Set Range | Part # | Price |
|------------------|--------------|------------|
| (2) 200 g - 1 mg | 40546 | \$6,000.00 |
| 200 g - 100 mg | 40547 | \$5,100.00 |
| 200 g - 1 g | 40548 | \$4,375.00 |
| 200 g - 100 g | 40549 | \$2,575.00 |

Certificate

| Accredited |
|------------|
| Included |
| Included |
| Included |
| Included |

Class E2 Polished Finish
Statement of Accuracy not available.

| Set Range | Part # | Price |
|-------------------|--------------|------------|
| 200 g - 1 mg | 40550 | \$2,925.00 |
| (2) 200 g - 1 mg | 96468 | \$3,275.00 |
| 200 g - 100 mg | 40551 | \$2,290.00 |
| 200 g - 1 g | 40552 | \$1,810.00 |
| (2) 200 g - 1 g | 96469 | \$2,180.00 |
| (2) 200 g - 100 g | 40553 | \$1,450.00 |

Certificate

| Accredited |
|------------|
| Included |
| Included |
| Included |
| Included |
| Included |
| Included |

Class F1 Polished Finish

Optional Certificate

| Set Range | Part # | Price |
|-------------------|--------------|------------|
| 200 g - 1 mg | 40554 | \$1,880.00 |
| (2) 200 g - 1 mg | 96470 | \$1,930.00 |
| 200 g - 100 mg | 40555 | \$1,440.00 |
| (2) 200 g - 1 g | 96471 | \$1,300.00 |
| 200 g - 1 g | 40556 | \$1,200.00 |
| (2) 200 g - 100 g | 40557 | \$820.00 |

| Accredited | Non-accredited |
|------------|----------------|
| \$930.00 | \$660.00 |
| \$1,020.00 | \$675.00 |
| \$610.00 | \$450.00 |
| \$450.00 | \$325.00 |
| \$540.00 | \$370.00 |
| \$300.00 | \$155.00 |

Class F2 Polished Finish

Optional Certificate

| Set Range | Part # | Price |
|-------------------|--------------|------------|
| 200 g - 1 mg | 40558 | \$1,850.00 |
| (2) 200 g - 1 mg | 96472 | \$1,880.00 |
| 200 g - 100 mg | 40559 | \$1,300.00 |
| (2) 200 g - 1 g | 96473 | \$1,230.00 |
| 200 g - 1 g | 40560 | \$1,180.00 |
| (2) 200 g - 100 g | 40561 | \$815.00 |

| Accredited | Non-accredited |
|------------|----------------|
| \$930.00 | \$660.00 |
| \$1,020.00 | \$675.00 |
| \$610.00 | \$450.00 |
| \$450.00 | \$325.00 |
| \$540.00 | \$370.00 |
| \$300.00 | \$155.00 |

Class M1 Satin Finish

Optional Certificate

| Set Range | Part # | Price |
|--------------|---------------|---------|
| 200 g - 1 mg | 195668 | Consult |
| 200 g - 1 g | 195669 | Consult |

| Accredited | Non-accredited |
|------------|----------------|
| Consult | Consult |
| Consult | Consult |

Replacement Cases

| Main Cases | | |
|------------------|--------------|----------|
| Class E1 | | |
| Set Range | Part # | Price |
| (2) 200 g - 1 mg | 34645 | \$350.00 |
| 200 g - 100 mg | 34645 | \$350.00 |
| 200 g - 1 g | 34645 | \$350.00 |
| 200 g - 100 g | 34645 | \$350.00 |

| Main Cases | | |
|---------------------|--------------|----------|
| Class E2, F1 and F2 | | |
| Set Range | Part # | Price |
| 200 g - 1 mg | 34645 | \$350.00 |
| (2) 200 g - 1 mg | 34645 | \$350.00 |
| 200 g - 100 mg | 34645 | \$350.00 |
| (2) 200 g - 1 g | 34645 | \$350.00 |
| 200 g - 1 g | 34645 | \$350.00 |
| (2) 200 g - 100 g | 34645 | \$350.00 |

| Main Cases | | |
|--------------|----------------|---------|
| Class M1 | | |
| Set Range | Part # | Price |
| 200 g - 1 mg | Consult | Consult |
| 200 g - 1 g | Consult | Consult |

| Inserts | | |
|-------------------------|--------------|----------|
| Class E1, E2, F1 and F2 | | |
| Set Range | Part # | Price |
| 200 g - 1 mg | 30607 | \$220.00 |
| (2) 200 g - 1 mg | 84473 | \$420.00 |
| (2) 200 g - 1 g | 84472 | \$420.00 |
| (2) 200 g - 100 g | 30608 | \$415.00 |

MASS REFERENCE STANDARDS / METRIC SETS

Range: 200 g

Weight Set Contents

| 200 g - 1mg | (2) 200 g - 1mg | 200 g - 100 mg | 200 g - 1g | (2) 200 g - 1g | (2) 200 g - 100 g |
|--|--|--|--|--|---|
| 40550 Class E1 40554 Class E2 40558 Class F1 195668 Class F2 - | 40546 Class E1 96468 Class E2 96470 Class F1 96472 Class F2 - | 40547 Class E1 40551 Class E2 40555 Class F1 40559 Class F2 - | 40548 Class E1 40552 Class E2 40556 Class F1 40560 Class F2 195669 Class M1 | - 96469 Class E2 96471 Class F1 96473 Class F2 - | 40549 Class E1 40553 Class E2 40557 Class F1 40561 Class F2 - |
| (1) 200 g (1) 100 g (1) 50 g (2) 20 g (1) 10 g (1) 5 g (2) 2 g (1) 1g (1) 500 mg (2) 200 mg (1) 100 mg (1) 50 mg (2) 20 mg (1) 10 mg (1) 5 mg (2) 2 mg (1) 1mg | (2) 200 g (1) 100 g (1) 50 g (2) 20 g (1) 10 g (1) 5 g (2) 2 g (1) 1g (1) 500 mg (2) 200 mg (1) 100 mg (1) 50 mg (2) 20 mg (1) 10 mg (1) 5 mg (2) 2 mg (1) 1mg | (1) 200 g (1) 100 g (1) 50 g (2) 20 g (1) 10 g (1) 5 g (2) 2 g (1) 1g (1) 500 mg (2) 200 mg (1) 100 mg | (1) 200 g (1) 100 g (1) 50 g (2) 20 g (1) 10 g (1) 5 g (2) 2 g (1) 1g | (2) 200 g (1) 100 g (1) 50 g (2) 20 g (1) 10 g (1) 5 g (2) 2 g (1) 1g | (2) 200 g (1) 100 g |
| 22 pcs. 411.11g set wt. | 23 pcs. 611.11g set wt. | 14 pcs. 611g set wt. | 10 pcs. 410g set wt. | 11 pcs. 610g set wt. | 3 pcs. 500g set wt. |

**CALIBRATION WEIGHTS
OIML PRECISION**



Set Includes Lifting Device, Glove and Case

Accessories

| Description | Part # | Price |
|----------------------------|---------------|---------|
| Statement of Accuracy | 36092 | \$47.50 |
| Weight glove, white cotton | 11714 | \$7.25 |
| Tweezer | 11711 | \$5.25 |
| Premium tweezer | 152414 | \$45.50 |
| Serial number | 25836 | \$17.00 |
| Leaf weight cover | 11755 | \$45.50 |
| Weight forceps, plastic | 50035 | \$45.50 |

MASS REFERENCE STANDARDS / METRIC SETS

Range: 500 g

Class E1 Polished Finish
Statement of Accuracy not available.

Certificate

| Set Range | Part # | Price | Accredited |
|----------------|--------------|------------|------------|
| 500 g - 1mg | 30822 | \$7,200.00 | Included |
| 500 g - 100 mg | 30826 | \$6,375.00 | Included |
| 500 g - 1g | 30830 | \$5,750.00 | Included |
| 500 g - 100 g | 30834 | \$4,850.00 | Included |

Class E2 Polished Finish
Statement of Accuracy not available.

Certificate

| Set Range | Part # | Price | Accredited |
|----------------|--------------|------------|------------|
| 500 g - 1mg | 30823 | \$3,850.00 | Included |
| 500 g - 100 mg | 30827 | \$3,325.00 | Included |
| 500 g - 1g | 30831 | \$2,675.00 | Included |
| 500 g - 100 g | 30835 | \$1,940.00 | Included |

Class F1 Polished Finish

Optional Certificate

| Set Range | Part # | Price | Accredited | Non-accredited |
|----------------|--------------|------------|------------|----------------|
| 500 g - 1mg | 30824 | \$2,280.00 | \$1,120.00 | \$715.00 |
| 500 g - 100 mg | 30828 | \$2,030.00 | \$800.00 | \$535.00 |
| 500 g - 1g | 30832 | \$1,700.00 | \$640.00 | \$410.00 |
| 500 g - 100 g | 30836 | \$1,490.00 | \$325.00 | \$165.00 |

Class F2 Polished Finish

Optional Certificate

| Set Range | Part # | Price | Accredited | Non-accredited |
|----------------|--------------|------------|------------|----------------|
| 500 g - 1mg | 30825 | \$1,940.00 | \$1,120.00 | \$715.00 |
| 500 g - 100 mg | 30829 | \$1,800.00 | \$800.00 | \$535.00 |
| 500 g - 1g | 30833 | \$1,510.00 | \$640.00 | \$410.00 |
| 500 g - 100 g | 30837 | \$1,100.00 | \$325.00 | \$165.00 |

Class M1 Satin Finish

Optional Certificate

| Set Range | Part # | Price | Accredited | Non-accredited |
|-------------|---------------|---------|------------|----------------|
| 500 g - 1mg | 195670 | Consult | Consult | Consult |
| 500 g - 1g | 195671 | Consult | Consult | Consult |

CALIBRATION WEIGHTS
OIML PRECISION

Replacement Cases

| Main Cases | | |
|-------------------------|--------------|----------|
| Class E1, E2, F1 and F2 | | |
| Set Range | Part # | Price |
| 500 g - 1mg | 34645 | \$350.00 |
| 500 g - 100 mg | 34645 | \$350.00 |
| 500 g - 1g | 34645 | \$350.00 |
| 500 g - 100 g | 34645 | \$350.00 |

| Main Cases | | |
|-------------|----------------|---------|
| Class M1 | | |
| Set Range | Part # | Price |
| 500 g - 1mg | Consult | Consult |
| 500 g - 1g | Consult | Consult |

| Inserts | | |
|-----------------------------|--------------|----------|
| Class E1, E2, F1, F2 and M1 | | |
| Set Range | Part # | Price |
| 500 g - 1mg | 30607 | \$220.00 |
| 500 g - 100 g | 30608 | \$415.00 |

Accessories

| Description | Part # | Price |
|----------------------------|---------------|---------|
| Statement of Accuracy | 36092 | \$47.50 |
| Weight glove, white cotton | 11714 | \$7.25 |
| Tweezer | 11711 | \$5.25 |
| Premium tweezer | 152414 | \$45.50 |
| Serial number | 25836 | \$17.00 |
| Leaf weight cover | 11755 | \$45.50 |
| Weight forceps, plastic | 50035 | \$45.50 |
| Tong assembly 1kg - 200 g | 50000 | \$78.00 |

MASS REFERENCE STANDARDS / METRIC SETS

Range: 500 g

Weight Set Contents

| 500 g to 1 mg | | 500 g to 100 mg | | 500 g - 1 g | | 500 g - 100 g | |
|--------------------------------------|------------------------------------|-----------------------------------|-------------------------------|-------------|--|---------------|--|
| 30822 Class E1 | 30826 Class E1 | 30830 Class E1 | 30834 Class E1 | | | | |
| 30823 Class E2 | 30827 Class E2 | 30831 Class E2 | 30835 Class E2 | | | | |
| 30824 Class F1 | 30828 Class F1 | 30832 Class F1 | 30836 Class F1 | | | | |
| 30825 Class F2 | 30829 Class F2 | 30833 Class F2 | 30837 Class F2 | | | | |
| 195670 Class M1 | – | 195671 Class M1 | – | | | | |
| (1) 500 g | (1) 500 g | (1) 500 g | (1) 500 g | | | | |
| (2) 200 g | (2) 200 g | (2) 200 g | (2) 200 g | | | | |
| (1) 100 g | (1) 100 g | (1) 100 g | (1) 100 g | | | | |
| (1) 50 g | (1) 50 g | (1) 50 g | | | | | |
| (2) 20 g | (2) 20 g | (2) 20 g | | | | | |
| (1) 10 g | (1) 10 g | (1) 10 g | | | | | |
| (1) 5 g | (1) 5 g | (1) 5 g | | | | | |
| (2) 2 g | (2) 2 g | (2) 2 g | | | | | |
| (1) 1 g | (1) 1 g | (1) 1 g | | | | | |
| (1) 500 mg | (1) 500 mg | | | | | | |
| (2) 200 mg | (2) 200 mg | | | | | | |
| (1) 100 mg | (1) 100 mg | | | | | | |
| (1) 50 mg | | | | | | | |
| (2) 20 mg | | | | | | | |
| (1) 10 mg | | | | | | | |
| (1) 5 mg | | | | | | | |
| (2) 2 mg | | | | | | | |
| (1) 1 mg | | | | | | | |
| 24 pcs. 1.11111 kg set wt. | 16 pcs. 1.111 kg set wt. | 12 pcs. 1.11 kg set wt. | 4 pcs. 1 kg set wt. | | | | |

**CALIBRATION WEIGHTS
OIML PRECISION**



Set Includes Lifting Device, Glove and Case

MASS REFERENCE STANDARDS / METRIC SETS

Range: 1kg

Class E1 Polished Finish
Statement of Accuracy not available.

Certificate

| Set Range | Part # | Price | Accredited |
|--------------|--------------|------------|------------|
| 1kg - 1mg | 30806 | \$8,225.00 | Included |
| 1kg - 100 mg | 30810 | \$6,975.00 | Included |
| 1kg - 1g | 30814 | \$6,275.00 | Included |
| 1kg - 100 g | 30818 | \$4,275.00 | Included |

Class E2 Polished Finish
Statement of Accuracy not available.

Certificate

| Set Range | Part # | Price | Accredited |
|--------------|--------------|------------|------------|
| 1kg - 1mg | 30807 | \$4,500.00 | Included |
| 1kg - 100 mg | 30811 | \$4,500.00 | Included |
| 1kg - 1g | 30815 | \$3,900.00 | Included |
| 1kg - 100 g | 30819 | \$3,100.00 | Included |

Class F1 Polished Finish

Optional Certificate

| Set Range | Part # | Price | Accredited | Non-accredited |
|--------------|--------------|------------|------------|----------------|
| 1kg - 1mg | 30808 | \$3,250.00 | \$1,120.00 | \$765.00 |
| 1kg - 100 mg | 30812 | \$3,100.00 | \$900.00 | \$525.00 |
| 1kg - 1g | 30816 | \$3,000.00 | \$730.00 | \$455.00 |
| 1kg - 100 g | 30820 | \$2,625.00 | \$415.00 | \$205.00 |

Class F2 Polished Finish

Optional Certificate

| Set Range | Part # | Price | Accredited | Non-accredited |
|--------------|--------------|------------|------------|----------------|
| 1kg - 1mg | 30809 | \$3,125.00 | \$1,120.00 | \$765.00 |
| 1kg - 100 mg | 30813 | \$3,050.00 | \$900.00 | \$525.00 |
| 1kg - 1g | 30817 | \$2,975.00 | \$730.00 | \$455.00 |
| 1kg - 100 g | 30821 | \$2,290.00 | \$415.00 | \$205.00 |

Class M1 Satin Finish

Optional Certificate

| Set Range | Part # | Price | Accredited | Non-accredited |
|-----------|---------------|------------|------------|----------------|
| 1kg - 1mg | 159154 | \$2,280.00 | Consult | Consult |
| 1kg - 1g | 159155 | \$1,860.00 | Consult | Consult |

CALIBRATION WEIGHTS
OIML PRECISION

Replacement Cases

| Main Cases | | |
|-------------------------|--------------|------------|
| Class E1, E2, F1 and F2 | | |
| Set Range | Part # | Price |
| 1kg - 1mg | 30605 | \$2,060.00 |
| 1kg - 100 mg | 30605 | \$2,060.00 |
| 1kg - 1g | 30605 | \$2,060.00 |
| 1kg - 100 g | 30606 | \$1,860.00 |

| Main Cases | | |
|------------|----------------|---------|
| Class M1 | | |
| Set Range | Part # | Price |
| 1kg - 1mg | Consult | Consult |
| 1kg - 1g | Consult | Consult |

| Secondary Case | | |
|----------------|--------------|----------|
| Set Range | Part # | Price |
| 100 g - 1mg | 34697 | \$240.00 |

Accessories

| Description | Part # | Price |
|----------------------------|---------------|---------|
| Statement of Accuracy | 36092 | \$47.50 |
| Weight glove, white cotton | 11714 | \$7.25 |
| Tweezer | 11711 | \$5.25 |
| Premium tweezer | 152414 | \$45.50 |
| Serial number | 25836 | \$17.00 |
| Leaf weight cover | 11755 | \$45.50 |
| Weight forceps, plastic | 50035 | \$45.50 |
| Tong assembly 1kg - 200 g | 50000 | \$78.00 |

MASS REFERENCE STANDARDS / METRIC SETS

Range: 1kg

Weight Set Contents

| 1 kg - 1mg | | 1 kg - 100 mg | | 1 kg - 1g | | 1 kg - 100 g | |
|---|--|---|--------------------------------------|---|--|---|--------------------------------------|
| 30806 Class E1 | 30810 Class E1 | 30814 Class E1 | 30818 Class E1 | 30806 Class E1 | 30810 Class E1 | 30814 Class E1 | 30818 Class E1 |
| 30807 Class E2 | 30811 Class E2 | 30815 Class E2 | 30819 Class E2 | 30807 Class E2 | 30811 Class E2 | 30815 Class E2 | 30819 Class E2 |
| 30808 Class F1 | 30812 Class F1 | 30816 Class F1 | 30820 Class F1 | 30808 Class F1 | 30812 Class F1 | 30816 Class F1 | 30820 Class F1 |
| 30809 Class F2 | 30813 Class F2 | 30817 Class F2 | 30821 Class F2 | 30809 Class F2 | 30813 Class F2 | 30817 Class F2 | 30821 Class F2 |
| 159154 Class M1 | – | 159155 Class M1 | – | 159154 Class M1 | – | 159155 Class M1 | – |
| (1) 1kg | (1) 1kg | (1) 1kg | (1) 1kg | (1) 1kg | (1) 1kg | (1) 1kg | (1) 1kg |
| (1) 500g | (1) 500g | (1) 500g | (1) 500g | (1) 500g | (1) 500g | (1) 500g | (1) 500g |
| (2) 200g | (2) 200g | (2) 200g | (2) 200g | (2) 200g | (2) 200g | (2) 200g | (2) 200g |
| (1) 100g | (1) 100g | (1) 100g | (1) 100g | (1) 100g | (1) 100g | (1) 100g | (1) 100g |
| (1) 50g | (1) 50g | (1) 50g | (1) 50g | (1) 50g | (1) 50g | (1) 50g | (1) 50g |
| (2) 20g | (2) 20g | (2) 20g | (2) 20g | (2) 20g | (2) 20g | (2) 20g | (2) 20g |
| (1) 10g | (1) 10g | (1) 10g | (1) 10g | (1) 10g | (1) 10g | (1) 10g | (1) 10g |
| (1) 5g | (1) 5g | (1) 5g | (1) 5g | (1) 5g | (1) 5g | (1) 5g | (1) 5g |
| (2) 2g | (2) 2g | (2) 2g | (2) 2g | (2) 2g | (2) 2g | (2) 2g | (2) 2g |
| (1) 1g | (1) 1g | (1) 1g | (1) 1g | (1) 1g | (1) 1g | (1) 1g | (1) 1g |
| (1) 500mg | (1) 500mg | | | (1) 500mg | (1) 500mg | | |
| (2) 200mg | (2) 200mg | | | (2) 200mg | (2) 200mg | | |
| (1) 100mg | (1) 100mg | | | (1) 100mg | (1) 100mg | | |
| (1) 50mg | | | | (1) 50mg | | | |
| (2) 20mg | | | | (2) 20mg | | | |
| (1) 10mg | | | | (1) 10mg | | | |
| (1) 5mg | | | | (1) 5mg | | | |
| (2) 2mg | | | | (2) 2mg | | | |
| (1) 1mg | | | | (1) 1mg | | | |
| 25 pcs. 2.1111kg set wt. | 17 pcs. 2.111kg set wt. | 13 pcs. 2.11kg set wt. | 5 pcs. 2 kg set wt. | 25 pcs. 2.1111kg set wt. | 17 pcs. 2.111kg set wt. | 13 pcs. 2.11kg set wt. | 5 pcs. 2 kg set wt. |

**CALIBRATION WEIGHTS
OIML PRECISION**



PN 30806 Set Includes Lifting Device, Glove and Case (1 kg to 1 mg)

MASS REFERENCE STANDARDS / METRIC SETS

Range: 2 kg

Class E1 Polished Finish
Statement of Accuracy not available.

| Set Range | Part # | Price |
|---------------|--------------|-------------|
| 2 kg - 1 mg | 40518 | \$10,825.00 |
| 2 kg - 100 mg | 40519 | \$9,425.00 |
| 2 kg - 1 g | 40520 | \$7,925.00 |
| 2 kg - 100 g | 40521 | \$5,775.00 |

Certificate

| Accredited |
|------------|
| Included |
| Included |
| Included |
| Included |

Class E2 Polished Finish
Statement of Accuracy not available.

| Set Range | Part # | Price |
|-----------------|--------------|------------|
| 2 kg - 1 mg | 40523 | \$5,600.00 |
| (2) 2 kg - 1 mg | 96455 | \$6,175.00 |
| 2 kg - 1 g | 40525 | \$4,425.00 |
| (2) 2 kg - 1 g | 96457 | \$5,575.00 |

Certificate

| Accredited |
|------------|
| Included |
| Included |
| Included |
| Included |

Class F1 Polished Finish

Optional Certificate

| Set Range | Part # | Price |
|-----------------|--------------|------------|
| 2 kg - 1 mg | 40528 | \$4,425.00 |
| (2) 2 kg - 1 mg | 96459 | \$4,600.00 |
| 2 kg - 1 g | 40530 | \$3,425.00 |
| (2) 2 kg - 1 g | 96461 | \$4,025.00 |

| Accredited | Non-accredited |
|------------|----------------|
| \$1,310.00 | \$900.00 |
| \$1,430.00 | \$960.00 |
| \$840.00 | \$510.00 |
| \$960.00 | \$570.00 |

Class F2 Polished Finish

Optional Certificate

| Set Range | Part # | Price |
|-----------------|--------------|------------|
| 2 kg - 1 mg | 40533 | \$3,825.00 |
| (2) 2 kg - 1 mg | 96463 | \$3,825.00 |
| 2 kg - 1 g | 40535 | \$3,375.00 |
| (2) 2 kg - 1 g | 96465 | \$3,900.00 |

| Accredited | Non-accredited |
|------------|----------------|
| \$1,310.00 | \$900.00 |
| \$1,430.00 | \$960.00 |
| \$840.00 | \$510.00 |
| \$960.00 | \$570.00 |

Class M1 Satin Finish

Optional Certificate

| Set Range | Part # | Price |
|-------------|---------------|------------|
| 2 kg - 1 mg | 195672 | \$2,925.00 |
| 2 kg - 1 g | 195673 | \$2,100.00 |

| Accredited | Non-accredited |
|------------|----------------|
| Consult | Consult |
| Consult | Consult |



Set Includes Lifting Device, Glove and Case (1 kg to 1 mg)

CALIBRATION WEIGHTS
OIML PRECISION

Replacement Cases

| Main Cases | | |
|---------------|--------------|------------|
| Class E1 | | |
| Set Range | Part # | Price |
| 2 kg - 1 mg | 96308 | \$2,070.00 |
| 2 kg - 100 mg | 96308 | \$2,070.00 |
| 2 kg - 1 g | 96308 | \$2,070.00 |
| 2 kg - 100 g | 96308 | \$2,070.00 |

| Main Cases | | |
|---------------------|--------------|------------|
| Class E2, F1 and F2 | | |
| Set Range | Part # | Price |
| 2 kg - 1 mg | 96308 | \$2,070.00 |
| (2) 2 kg - 1 mg | 84474 | \$2,070.00 |
| 2 kg - 1 g | 96308 | \$2,070.00 |
| (2) 2 kg - 1 g | 84474 | \$2,070.00 |

| Main Cases | | |
|----------------|----------------|----------|
| Class M1 | | |
| Set Range | Part # | Price |
| 2 kg - 1 mg | Consult | Consult |
| 2 kg - 1 g | Consult | Consult |
| Secondary Case | | |
| Set Range | Part # | Price |
| 100 g - 1 mg | 34697 | \$240.00 |

MASS REFERENCE STANDARDS / METRIC SETS

Range: 2 kg

Weight Set Contents

| 2 kg - 1 mg | 2 kg - 100 mg | (2) 2 kg - 1 mg | 2 kg - 1 g | (2) 2 kg - 1 g | 2 kg - 100 g |
|--|--|--|--|--|--|
| 40518 Class E1 40523 Class E2 40528 Class F1 40533 Class F2 - | 40519 Class E1 - - - - | - 96455 Class E2 96459 Class F1 96463 Class F2 - | 40520 Class E1 40525 Class E2 40530 Class F1 40535 Class F2 195672 Class M1 | - 96457 Class E2 96461 Class F1 96465 Class F2 195673 Class M1 | 40521 Class E1 - - - - |
| (1) 2 kg (1) 1kg (1) 500 g (2) 200 g (1) 100 g (1) 50 g (2) 20 g (1) 10 g (1) 5 g (2) 2 g (1) 1g (1) 500 mg (2) 200 mg (1) 100 mg (1) 50 mg (2) 20 mg (1) 10 mg (1) 5 mg (2) 2 mg (1) 1mg | (1) 2 kg (1) 1kg (1) 500 g (2) 200 g (1) 100 g (1) 50 g (2) 20 g (1) 10 g (1) 5 g (2) 2 g (1) 1g (1) 500 mg (2) 200 mg (1) 100 mg (1) 50 mg (2) 20 mg (1) 10 mg (1) 5 mg (2) 2 mg (1) 1mg | (2) 2 kg (1) 1kg (1) 500 g (2) 200 g (1) 100 g (1) 50 g (2) 20 g (1) 10 g (1) 5 g (2) 2 g (1) 1g (1) 500 mg (2) 200 mg (1) 100 mg (1) 50 mg (2) 20 mg (1) 10 mg (1) 5 mg (2) 2 mg (1) 1mg | (1) 2 kg (1) 1kg (1) 500 g (2) 200 g (1) 100 g (1) 50 g (2) 20 g (1) 10 g (1) 5 g (2) 2 g (1) 1g | (2) 2 kg (1) 1kg (1) 500 g (2) 200 g (1) 100 g (1) 50 g (2) 20 g (1) 10 g (1) 5 g (2) 2 g (1) 1g | (1) 2 kg (1) 1kg (1) 500 g (2) 200 g (1) 100 g |
| 26 pcs. 4.11111 kg set wt. | 18 pcs. 4.111 kg set wt. | 27 pcs. 6.11111 kg set wt. | 14 pcs. 4.11 kg set wt. | 15 pcs. 4.11 kg set wt. | 6 pcs. 4.0 kg set wt. |

**CALIBRATION WEIGHTS
OIML PRECISION**

Accessories

| Description | Part # | Price |
|----------------------------|---------------|---------|
| Statement of Accuracy | 36092 | \$47.50 |
| Weight glove, white cotton | 11714 | \$7.25 |
| Tweezer | 11711 | \$5.25 |
| Premium tweezer | 152414 | \$45.50 |
| Serial number | 25836 | \$17.00 |
| Leaf weight cover | 11755 | \$45.50 |
| Weight forceps, plastic | 50035 | \$45.50 |
| Tong assembly 1kg - 200 g | 50000 | \$78.00 |
| Lifter, 5 kg and 2 kg | 50037 | \$57.00 |

MASS REFERENCE STANDARDS / METRIC SETS

Range: 5 kg

Class E1 Polished Finish
Statement of Accuracy not available.

| Set Range | Part # | Price | Certificate Accredited |
|---------------|--------------|-------------|------------------------|
| 5 kg - 1 mg | 30785 | \$12,775.00 | Included |
| 5 kg - 100 mg | 30789 | \$12,300.00 | Included |
| 5 kg - 1 g | 30793 | \$11,800.00 | Included |
| 5 kg - 100 g | 30797 | \$8,325.00 | Included |
| 5 kg - 1 kg | 30802 | \$7,050.00 | Included |

Class E2 Polished Finish
Statement of Accuracy not available.

| Set Range | Part # | Price | Certificate Accredited |
|---------------|--------------|------------|------------------------|
| 5 kg - 1 mg | 30786 | \$7,275.00 | Included |
| 5 kg - 100 mg | 30790 | \$7,000.00 | Included |
| 5 kg - 1 g | 30794 | \$6,300.00 | Included |
| 5 kg - 100 g | 30798 | \$5,550.00 | Included |
| 5 kg - 1 kg | 30803 | \$4,700.00 | Included |

Class F1 Polished Finish

| Set Range | Part # | Price | Optional Certificate | |
|---------------|--------------|------------|----------------------|----------------|
| | | | Accredited | Non-accredited |
| 5 kg - 1 mg | 30787 | \$5,450.00 | \$1,400.00 | \$840.00 |
| 5 kg - 100 mg | 30791 | \$5,550.00 | \$1,225.00 | \$765.00 |
| 5 kg - 1 g | 30795 | \$5,125.00 | \$1,075.00 | \$635.00 |
| 5 kg - 100 g | 30800 | \$4,700.00 | \$755.00 | \$380.00 |
| 5 kg - 1 kg | 30804 | \$4,450.00 | \$385.00 | \$220.00 |

Class F2 Polished Finish

| Set Range | Part # | Price | Optional Certificate | |
|---------------|--------------|------------|----------------------|----------------|
| | | | Accredited | Non-accredited |
| 5 kg - 1 mg | 30788 | \$5,000.00 | \$1,400.00 | \$840.00 |
| 5 kg - 100 mg | 30792 | \$4,850.00 | \$1,225.00 | \$765.00 |
| 5 kg - 1 g | 30796 | \$4,425.00 | \$1,075.00 | \$635.00 |
| 5 kg - 100 g | 30801 | \$4,050.00 | \$755.00 | \$380.00 |
| 5 kg - 1 kg | 30805 | \$3,750.00 | \$385.00 | \$220.00 |

Class M1 Satin Finish

| Set Range | Part # | Price | Optional Certificate Accredited |
|-------------|---------------|------------|---------------------------------|
| 5 kg - 1 mg | 126169 | \$2,900.00 | \$780.00 |
| 5 kg - 1 g | 126168 | \$2,490.00 | \$490.00 |

CALIBRATION WEIGHTS
OIML PRECISION

Replacement Cases

| Main Cases | | |
|-------------------------|--------------|------------|
| Class E1, E2, F1 and F2 | | |
| Set Range | Part # | Price |
| 5 kg - 1 mg | 30602 | \$2,020.00 |
| 5 kg - 100 mg | 30602 | \$2,020.00 |
| 5 kg - 1 g | 30602 | \$2,020.00 |
| 5 kg - 100 g | 30603 | \$2,020.00 |
| 5 kg - 1 kg | 30604 | \$1,860.00 |

| Main Cases | | |
|-------------|---------------|----------|
| Class M1 | | |
| Set Range | Part # | Price |
| 5 kg - 1 mg | 126164 | \$265.00 |
| 5 kg - 1 g | 126164 | \$265.00 |

| Secondary Case | | |
|----------------|--------------|----------|
| Set Range | Part # | Price |
| 100 g - 1 mg | 34697 | \$240.00 |

Accessories

| Description | Part # | Price |
|----------------------------|---------------|---------|
| Statement of Accuracy | 36092 | \$47.50 |
| Weight glove, white cotton | 11714 | \$7.25 |
| Tweezer | 11711 | \$5.25 |
| Premium tweezer | 152414 | \$45.50 |
| Serial number | 25836 | \$17.00 |
| Leaf weight cover | 11755 | \$45.50 |
| Weight forceps, plastic | 50035 | \$45.50 |
| Tong assembly 1 kg - 200 g | 50000 | \$78.00 |
| Lifter, 5 kg and 2 kg | 50037 | \$57.00 |

Range: 5 kg

Weight Set Contents

| 5 kg - 1 mg | | 5 kg - 100 mg | | 5 kg - 1 g | | 5 kg - 100 g | | 5 kg - 1 kg | |
|---------------------------------------|-------------------------------------|------------------------------------|--------------------------------|--------------------------------|--|--------------|--|-------------|--|
| 30785 Class E1 | 30789 Class E1 | 30793 Class E1 | 30797 Class E1 | 30802 Class E1 | | | | | |
| 30786 Class E2 | 30790 Class E2 | 30794 Class E2 | 30798 Class E2 | 30803 Class E2 | | | | | |
| 30787 Class F1 | 30791 Class F1 | 30795 Class F1 | 30800 Class F1 | 30804 Class F1 | | | | | |
| 30788 Class F2 | 30792 Class F2 | 30796 Class F2 | 30801 Class F2 | 30805 Class F2 | | | | | |
| 126169 Class M1 | – | 126168 Class M1 | – | – | | | | | |
| (1) 5 kg | (1) 5 kg | (1) 5 kg | (1) 5 kg | (1) 5 kg | | | | | |
| (2) 2 kg | (2) 2 kg | (2) 2 kg | (2) 2 kg | (2) 2 kg | | | | | |
| (1) 1 kg | (1) 1 kg | (1) 1 kg | (1) 1 kg | (1) 1 kg | | | | | |
| (1) 500 g | (1) 500 g | (1) 500 g | (1) 500 g | (1) 500 g | | | | | |
| (2) 200 g | (2) 200 g | (2) 200 g | (2) 200 g | (2) 200 g | | | | | |
| (1) 100 g | (1) 100 g | (1) 100 g | (1) 100 g | (1) 100 g | | | | | |
| (1) 50 g | (1) 50 g | (1) 50 g | (1) 50 g | | | | | | |
| (2) 20 g | (2) 20 g | (2) 20 g | | | | | | | |
| (1) 10 g | (1) 10 g | (1) 10 g | | | | | | | |
| (1) 5 g | (1) 5 g | (1) 5 g | | | | | | | |
| (2) 2 g | (2) 2 g | (2) 2 g | | | | | | | |
| (1) 1 g | (1) 1 g | (1) 1 g | | | | | | | |
| (1) 500 mg | (1) 500 mg | | | | | | | | |
| (2) 200 mg | (2) 200 mg | | | | | | | | |
| (1) 100 mg | (1) 100 mg | | | | | | | | |
| (1) 50 mg | | | | | | | | | |
| (2) 20 mg | | | | | | | | | |
| (1) 10 mg | | | | | | | | | |
| (1) 5 mg | | | | | | | | | |
| (2) 2 mg | | | | | | | | | |
| (1) 1 mg | | | | | | | | | |
| 28 pcs. 11.11111 kg set wt. | 20 pcs. 11.111 kg set wt. | 16 pcs. 11.11 kg set wt. | 8 pcs. 11 kg set wt. | 4 pcs. 10 kg set wt. | | | | | |

CALIBRATION WEIGHTS
OIML PRECISION



Set Includes Lifting Device, Glove and Case (1 kg to 1 mg)

MASS REFERENCE STANDARDS / METRIC SETS

Range: 10 kg

Class E2 Polished Finish
Statement of Accuracy not available.

| Set Range | Part # | Price | Certificate |
|----------------|--------------|-------------|------------------------|
| 10 kg - 1mg | 65213 | \$10,350.00 | Accredited Included |
| 10 kg - 100 mg | 96419 | \$10,025.00 | Accredited Included |
| 10 kg - 1g | 96415 | \$9,725.00 | Accredited Included |
| 10 kg - 100 g | 96420 | \$8,525.00 | Accredited Included |
| 10 kg - 1kg | 96421 | \$7,600.00 | Accredited Included |

Class F1 Polished Finish

| Set Range | Part # | Price | Optional Certificate | |
|----------------|--------------|------------|----------------------|----------------|
| | | | Accredited | Non-accredited |
| 10 kg - 1mg | 65214 | \$8,575.00 | \$1,500.00 | \$900.00 |
| 10 kg - 100 mg | 96429 | \$8,450.00 | \$1,325.00 | \$820.00 |
| 10 kg - 1g | 96430 | \$8,275.00 | \$1,180.00 | \$690.00 |
| 10 kg - 100 g | 96467 | \$7,775.00 | \$870.00 | \$440.00 |
| 10 kg - 1kg | 96432 | \$6,975.00 | \$530.00 | \$280.00 |

Class F2 Polished Finish

| Set Range | Part # | Price | Optional Certificate | |
|----------------|--------------|------------|----------------------|----------------|
| | | | Accredited | Non-accredited |
| 10 kg - 1mg | 65215 | \$7,625.00 | \$1,500.00 | \$900.00 |
| 10 kg - 100 mg | 96445 | \$7,500.00 | \$1,325.00 | \$820.00 |
| 10 kg - 1g | 96446 | \$7,400.00 | \$1,180.00 | \$690.00 |
| 10 kg - 100 g | 96444 | \$6,775.00 | \$870.00 | \$440.00 |
| 10 kg - 1kg | 96448 | \$6,200.00 | \$530.00 | \$280.00 |

Class M1 Satin Finish

| Set Range | Part # | Price | Optional Certificate | |
|-------------|---------------|------------|----------------------|----------------|
| | | | Accredited | Non-accredited |
| 10 kg - 1mg | 195676 | \$3,425.00 | Consult | Consult |
| 10 kg - 1g | 195677 | \$3,075.00 | Consult | Consult |

CALIBRATION WEIGHTS
OIML PRECISION

Replacement Cases

| Main Cases | | |
|---------------------|--------------|------------|
| Class E2, F1 and F2 | | |
| Set Range | Part # | Price |
| 10 kg - 1mg | 65218 | \$2,575.00 |
| 10 kg - 100 mg | 65218 | \$2,575.00 |
| 10 kg - 1g | 65218 | \$2,575.00 |
| 10 kg - 100 g | 65218 | \$2,575.00 |
| 10 kg - 1kg | 65218 | \$2,575.00 |

| Main Cases | | |
|-------------|---------------|----------|
| Class M1 | | |
| Set Range | Part # | Price |
| 10 kg - 1mg | Consult | Consult |
| 10 kg - 1g | 200297 | \$615.00 |

| Secondary Case | | |
|----------------|--------------|----------|
| Set Range | Part # | Price |
| 100 g - 1mg | 34697 | \$240.00 |

Accessories

| Description | Part # | Price |
|----------------------------|---------------|---------|
| Statement of Accuracy | 36092 | \$47.50 |
| Weight glove, white cotton | 11714 | \$7.25 |
| Tweezer | 11711 | \$5.25 |
| Premium tweezer | 152414 | \$45.50 |
| Serial number | 25836 | \$17.00 |
| Leaf weight cover | 11755 | \$45.50 |
| Weight forceps, plastic | 50035 | \$45.50 |
| Tong assembly 1kg - 200 g | 50000 | \$78.00 |
| Lifter, 5 kg and 2 kg | 50037 | \$57.00 |

MASS REFERENCE STANDARDS / METRIC SETS

Range: 10 kg

Weight Set Contents

| 10 kg - 1 mg | 10 kg - 100 mg | 10 kg - 1 g | 10 kg - 100 g | 10 kg - 1 kg |
|--|---|---|--|--|
| 65213 Class E2 65214 Class F1 65215 Class F2 195676 Class M1 | 96419 Class E2 96429 Class F1 96445 Class F2 - | 96415 Class E2 96430 Class F1 96446 Class F2 195677 Class M1 | 96420 Class E2 96467 Class F1 96444 Class F2 - | 96421 Class E2 96432 Class F1 96448 Class F2 - |
| (1) 10 kg (1) 5 kg (2) 2 kg (1) 1 kg (1) 500 g (2) 200 g (1) 100 g (1) 50 g (2) 20 g (1) 10 g (1) 5 g (2) 2 g (1) 1 g (1) 500 mg (2) 200 mg (1) 100 mg (1) 50 mg (2) 20 mg (1) 10 mg (1) 5 mg (2) 2 mg (1) 1 mg | (1) 10 kg (1) 5 kg (2) 2 kg (1) 1 kg (1) 500 g (2) 200 g (1) 100 g (1) 50 g (2) 20 g (1) 10 g (1) 5 g (2) 2 g (1) 1 g (1) 500 mg (2) 200 mg (1) 100 mg | (1) 10 kg (1) 5 kg (2) 2 kg (1) 1 kg (1) 500 g (2) 200 g (1) 100 g (1) 50 g (2) 20 g (1) 10 g (1) 5 g (2) 2 g (1) 1 g | (1) 10 kg (1) 5 kg (2) 2 kg (1) 1 kg (1) 500 g (2) 200 g (1) 100 g | (1) 10 kg (1) 5 kg (2) 2 kg (1) 1 kg |
| 29 pcs. 21.1111 kg set wt. | 21 pcs. 21.11105 kg | 17 pcs. 21.111 kg set wt. | 9 pcs. 21 kg set wt. | 5 pcs. 20 kg set wt. |

**CALIBRATION WEIGHTS
OIML PRECISION**

MASS REFERENCE STANDARDS / METRIC SETS

Range: 20 kg

Class E2 Polished Finish
Statement of Accuracy not available.

| Set Range | Part # | Price | Certificate |
|----------------|--------------|-------------|------------------------|
| 20 kg - 1mg | 65210 | \$14,425.00 | Accredited Included |
| 20 kg - 100 mg | 96416 | \$14,100.00 | Accredited Included |
| 20 kg - 1g | 96414 | \$13,525.00 | Accredited Included |
| 20 kg - 100 g | 96417 | \$12,400.00 | Accredited Included |
| 20 kg - 1kg | 96418 | \$11,025.00 | Accredited Included |

Class F1 Polished Finish

| Set Range | Part # | Price | Optional Certificate | |
|----------------|--------------|-------------|----------------------|----------------|
| | | | Accredited | Non-accredited |
| 20 kg - 1mg | 65211 | \$11,200.00 | \$1,680.00 | \$1,025.00 |
| 20 kg - 100 mg | 96428 | \$7,425.00 | \$1,445.00 | \$885.00 |
| 20 kg - 1g | 96425 | \$10,875.00 | \$1,285.00 | \$760.00 |
| 20 kg - 100 g | 96426 | \$10,350.00 | \$975.00 | \$500.00 |
| 20 kg - 1kg | 96427 | \$9,550.00 | \$645.00 | \$340.00 |

Class F2 Polished Finish

| Set Range | Part # | Price | Optional Certificate | |
|----------------|--------------|------------|----------------------|----------------|
| | | | Accredited | Non-accredited |
| 20 kg - 1mg | 65212 | \$9,975.00 | \$1,680.00 | \$1,025.00 |
| 20 kg - 100 mg | 96447 | \$9,800.00 | \$1,445.00 | \$885.00 |
| 20 kg - 1g | 96441 | \$9,700.00 | \$1,285.00 | \$760.00 |
| 20 kg - 100 g | 96442 | \$9,225.00 | \$975.00 | \$500.00 |
| 20 kg - 1kg | 96443 | \$8,500.00 | \$645.00 | \$340.00 |

CALIBRATION WEIGHTS
OIML PRECISION

Replacement Cases

| Main Cases | | |
|---------------------|--------------|------------|
| Class E2, F1 and F2 | | |
| Set Range | Part # | Price |
| 20 kg - 1mg | 65219 | \$2,450.00 |
| 20 kg - 100 mg | 65219 | \$2,450.00 |
| 20 kg - 1g | 65219 | \$2,450.00 |
| 20 kg - 100 g | 65219 | \$2,450.00 |
| 20 kg - 1kg | 65219 | \$2,450.00 |

| Secondary Case | | |
|----------------|--------------|----------|
| Set Range | Part # | Price |
| 100 g - 1mg | 34697 | \$240.00 |

Accessories

| Description | Part # | Price |
|----------------------------|---------------|---------|
| Statement of Accuracy | 36092 | \$47.50 |
| Weight glove, white cotton | 11714 | \$7.25 |
| Tweezer | 11711 | \$5.25 |
| Premium tweezer | 152414 | \$45.50 |
| Serial number | 25836 | \$17.00 |
| Leaf weight cover | 11755 | \$45.50 |
| Weight forceps, plastic | 50035 | \$45.50 |
| Tong assembly 1kg - 200g | 50000 | \$78.00 |
| Lifter, 5 kg and 2 kg | 50037 | \$57.00 |

MASS REFERENCE STANDARDS / METRIC SETS

Range: 20 kg

Weight Set Contents

| 20 kg - 1 mg | | 20 kg - 100 mg | | 20 kg - 1 g | | 20 kg - 100 g | | 20 kg - 1 kg | |
|--------------------------------------|---------------------------------------|-------------------------------------|---------------------------------|--------------------------------|--|---------------|--|--------------|--|
| 65210 Class E2 | 96416 Class E2 | 96414 Class E2 | 96417 Class E2 | 96418 Class E2 | | | | | |
| 65211 Class F1 | 96428 Class F1 | 96425 Class F1 | 96426 Class F1 | 96427 Class F1 | | | | | |
| 65212 Class F2 | 96447 Class F2 | 96441 Class F2 | 96442 Class F2 | 96443 Class F2 | | | | | |
| (1) 20 kg | (1) 20 kg | (1) 20 kg | (1) 20 kg | (1) 20 kg | | | | | |
| (1) 10 kg | (1) 10 kg | (1) 10 kg | (1) 10 kg | (1) 10 kg | | | | | |
| (1) 5 kg | (1) 5 kg | (1) 5 kg | (1) 5 kg | (1) 5 kg | | | | | |
| (2) 2 kg | (2) 2 kg | (2) 2 kg | (2) 2 kg | (2) 2 kg | | | | | |
| (1) 1 kg | (1) 1 kg | (1) 1 kg | (1) 1 kg | (1) 1 kg | | | | | |
| (1) 500 g | (1) 500 g | (1) 500 g | (1) 500 g | (1) 500 g | | | | | |
| (2) 200 g | (2) 200 g | (2) 200 g | (2) 200 g | (2) 200 g | | | | | |
| (1) 100 g | (1) 100 g | (1) 100 g | (1) 100 g | (1) 100 g | | | | | |
| (1) 50 g | (1) 50 g | (1) 50 g | (1) 50 g | | | | | | |
| (2) 20 g | (2) 20 g | (2) 20 g | (2) 20 g | | | | | | |
| (1) 10 g | (1) 10 g | (1) 10 g | (1) 10 g | | | | | | |
| (1) 5 g | (1) 5 g | (1) 5 g | (1) 5 g | | | | | | |
| (2) 2 g | (2) 2 g | (2) 2 g | (2) 2 g | | | | | | |
| (1) 1 g | (1) 1 g | (1) 1 g | (1) 1 g | | | | | | |
| (1) 500 mg | (1) 500 mg | | | | | | | | |
| (2) 200 mg | (2) 200 mg | | | | | | | | |
| (1) 100 mg | (1) 100 mg | | | | | | | | |
| (1) 50 mg | | | | | | | | | |
| (2) 20 mg | | | | | | | | | |
| (1) 10 mg | | | | | | | | | |
| (1) 5 mg | | | | | | | | | |
| (2) 2 mg | | | | | | | | | |
| (1) 1 mg | | | | | | | | | |
| 30 pcs. 41.1111 kg set wt. | 22 pcs. 41.11105 kg set wt. | 18 pcs. 41.111 kg set wt. | 10 pcs. 41 kg set wt. | 6 pcs. 40 kg set wt. | | | | | |

**CALIBRATION WEIGHTS
OIML PRECISION**

BALANCE CALIBRATION WEIGHTS / METRIC SINGLE WEIGHT WITH CASE (KIT)

Range: 5 kg – 10 g

CALIBRATION WEIGHTS
BALANCE CALIBRATION

Class 1 Polished Finish

| Weight | Kit Part # | Price |
|---------|------------|----------|
| 5 kg | 12958 | \$795.00 |
| 4 kg | 12956 | \$695.00 |
| 3 kg | 12954 | \$420.00 |
| 2 kg | 12952 | \$250.00 |
| 1,500 g | 12985 | \$230.00 |
| 1,000 g | 12971 | \$205.00 |
| 600 g | 12983 | \$220.00 |
| 500 g | 12950 | \$170.00 |
| 400 g | 12968 | \$170.00 |
| 300 g | 12966 | \$160.00 |
| 200 g | 12948 | \$145.00 |
| 160 g | 12981 | \$150.00 |
| 150 g | 12979 | \$135.00 |
| 100 g | 12946 | \$125.00 |
| 50 g | 12964 | \$105.00 |
| 30 g | 12962 | \$105.00 |
| 20 g | 12960 | \$105.00 |
| 10 g | 12944 | \$105.00 |

Optional Certificate

| Accredited | Non-Accredited |
|------------|----------------|
| \$145.00 | \$80.00 |
| \$145.00 | \$80.00 |
| \$145.00 | \$80.00 |
| \$145.00 | \$80.00 |
| \$145.00 | \$80.00 |
| \$125.00 | \$60.00 |
| \$125.00 | \$60.00 |
| \$125.00 | \$60.00 |
| \$125.00 | \$60.00 |
| \$125.00 | \$60.00 |
| \$125.00 | \$60.00 |
| \$125.00 | \$60.00 |
| \$125.00 | \$60.00 |
| \$125.00 | \$60.00 |
| \$125.00 | \$60.00 |
| \$55.00 | \$45.00 |
| \$55.00 | \$45.00 |
| \$55.00 | \$45.00 |
| \$55.00 | \$45.00 |
| \$55.00 | \$45.00 |

Class 2 Polished Finish

| Weight | Kit Part # | Price |
|---------|------------|----------|
| 5 kg | 13076 | \$640.00 |
| 4 kg | 13074 | \$630.00 |
| 3 kg | 13072 | \$340.00 |
| 2 kg | 13070 | \$230.00 |
| 1,500 g | 13103 | \$230.00 |
| 1,000 g | 13089 | \$185.00 |
| 600 g | 13101 | \$210.00 |
| 500 g | 13068 | \$170.00 |
| 400 g | 13086 | \$165.00 |
| 300 g | 13084 | \$160.00 |
| 200 g | 13066 | \$145.00 |
| 160 g | 13099 | \$145.00 |
| 150 g | 13097 | \$130.00 |
| 100 g | 13064 | \$120.00 |
| 50 g | 13082 | \$98.00 |
| 30 g | 13080 | \$98.00 |
| 20 g | 13078 | \$98.00 |
| 10 g | 13062 | \$98.00 |

Optional Certificate

| Accredited | Non-Accredited |
|------------|----------------|
| \$145.00 | \$80.00 |
| \$145.00 | \$80.00 |
| \$145.00 | \$80.00 |
| \$145.00 | \$80.00 |
| \$145.00 | \$80.00 |
| \$125.00 | \$60.00 |
| \$125.00 | \$60.00 |
| \$125.00 | \$60.00 |
| \$125.00 | \$60.00 |
| \$125.00 | \$60.00 |
| \$125.00 | \$60.00 |
| \$125.00 | \$60.00 |
| \$125.00 | \$60.00 |
| \$125.00 | \$60.00 |
| \$125.00 | \$60.00 |
| \$55.00 | \$45.00 |
| \$55.00 | \$45.00 |
| \$55.00 | \$45.00 |
| \$55.00 | \$45.00 |
| \$55.00 | \$45.00 |



Kits Include a Single Weight with Case and Glove

Replacement Cases

| Main Cases | | |
|---------------|--------|----------|
| Class 1 and 2 | | |
| Nominal Value | Part # | Price |
| 5 kg | 197476 | \$240.00 |
| 4 kg | 197475 | \$240.00 |
| 3 kg | 190273 | \$40.50 |
| 2 kg | 190268 | \$40.50 |
| 1,500 g | 190270 | \$40.50 |
| 1,000 g | 190259 | \$40.50 |
| 600 g | 189714 | \$40.50 |
| 500 g | 189712 | \$40.50 |
| 400 g | 189709 | \$40.50 |

| Main Cases | | |
|---------------|--------|---------|
| Class 1 and 2 | | |
| Nominal Value | Part # | Price |
| 300 g | 189643 | \$40.50 |
| 200 g | 194185 | \$38.50 |
| 160 g | 189634 | \$40.50 |
| 150 g | 189633 | \$40.50 |
| 100 g | 189567 | \$44.50 |
| 50 g | 189506 | \$44.50 |
| 30 g | 189505 | \$44.50 |
| 20 g | 189482 | \$44.50 |
| 10 g | 189475 | \$44.50 |

Accessories

| Description | Part # | Price |
|----------------------------|--------|---------|
| Statement of Accuracy | 36092 | \$47.50 |
| Weight glove, white cotton | 11714 | \$7.25 |
| Vinyl glove | 11773 | \$3.50 |
| Serial number | 25836 | \$17.00 |

BALANCE CALIBRATION WEIGHTS / METRIC SINGLE WEIGHT WITH CASE (KIT)

Range: 5 kg – 10 g

Class 3 Satin Finish

| Weight | Kit Part # | Price |
|---------|------------|----------|
| 5 kg | 13179 | \$605.00 |
| 4 kg | 13177 | \$580.00 |
| 3 kg | 13175 | \$330.00 |
| 2 kg | 13173 | \$230.00 |
| 1,500 g | 13206 | \$220.00 |
| 1,000 g | 13192 | \$185.00 |
| 600 g | 13204 | \$205.00 |
| 500 g | 13171 | \$160.00 |
| 400 g | 13189 | \$160.00 |
| 300 g | 13187 | \$140.00 |
| 200 g | 13169 | \$140.00 |
| 160 g | 13202 | \$140.00 |
| 150 g | 13200 | \$125.00 |
| 100 g | 13167 | \$120.00 |
| 50 g | 13185 | \$98.00 |
| 30 g | 13183 | \$98.00 |
| 20 g | 13181 | \$98.00 |
| 10 g | 13165 | \$98.00 |

Optional Certificate

| Accredited | Non-Accredited |
|------------|----------------|
| \$145.00 | \$80.00 |
| \$145.00 | \$80.00 |
| \$145.00 | \$80.00 |
| \$145.00 | \$80.00 |
| \$145.00 | \$80.00 |
| \$125.00 | \$60.00 |
| \$125.00 | \$60.00 |
| \$125.00 | \$60.00 |
| \$125.00 | \$60.00 |
| \$125.00 | \$60.00 |
| \$125.00 | \$60.00 |
| \$125.00 | \$60.00 |
| \$125.00 | \$60.00 |
| \$55.00 | \$45.00 |
| \$55.00 | \$45.00 |
| \$55.00 | \$45.00 |
| \$55.00 | \$45.00 |
| \$55.00 | \$45.00 |



Case for 4 kg and 5 kg only

CALIBRATION WEIGHTS
BALANCE CALIBRATION

Class 4 Satin Finish

| Weight | Kit Part # | Price |
|---------|------------|----------|
| 5 kg | 13282 | \$590.00 |
| 4 kg | 13280 | \$555.00 |
| 3 kg | 13278 | \$325.00 |
| 2 kg | 13276 | \$210.00 |
| 1,500 g | 13309 | \$205.00 |
| 1,000 g | 13295 | \$185.00 |
| 600 g | 13307 | \$195.00 |
| 500 g | 13274 | \$150.00 |
| 400 g | 13292 | \$145.00 |
| 300 g | 13290 | \$135.00 |
| 200 g | 13272 | \$130.00 |
| 160 g | 13305 | \$135.00 |
| 150 g | 13303 | \$120.00 |
| 100 g | 13270 | \$98.00 |
| 50 g | 13288 | \$98.00 |
| 30 g | 13286 | \$90.00 |
| 20 g | 13284 | \$90.00 |
| 10 g | 13268 | \$90.00 |

Optional Certificate

| Accredited |
|------------|
| \$75.00 |
| \$75.00 |
| \$75.00 |
| \$75.00 |
| \$75.00 |
| \$55.00 |
| \$55.00 |
| \$55.00 |
| \$55.00 |
| \$55.00 |
| \$55.00 |
| \$55.00 |
| \$55.00 |
| \$55.00 |
| \$40.00 |
| \$40.00 |
| \$40.00 |
| \$40.00 |



Kits include a Single Weight with Case and Glove

Replacement Cases

| Main Cases | | |
|---------------|--------|----------|
| Class 3 and 4 | | |
| Nominal Value | Part # | Price |
| 5 kg | 197476 | \$240.00 |
| 4 kg | 197475 | \$240.00 |
| 3 kg | 190273 | \$40.50 |
| 2 kg | 190268 | \$40.50 |
| 1,500 g | 190270 | \$40.50 |
| 1,000 g | 190259 | \$40.50 |
| 600 g | 189714 | \$40.50 |
| 500 g | 189712 | \$40.50 |
| 400 g | 189709 | \$40.50 |

| Main Cases | | |
|---------------|--------|---------|
| Class 3 and 4 | | |
| Nominal Value | Part # | Price |
| 300 g | 189643 | \$40.50 |
| 200 g | 194185 | \$38.50 |
| 160 g | 189634 | \$40.50 |
| 150 g | 189633 | \$40.50 |
| 100 g | 189567 | \$44.50 |
| 50 g | 189506 | \$44.50 |
| 30 g | 189505 | \$44.50 |
| 20 g | 189482 | \$44.50 |
| 10 g | 189475 | \$44.50 |

Accessories

| Description | Part # | Price |
|----------------------------|--------|---------|
| Statement of Accuracy | 36092 | \$47.50 |
| Weight glove, white cotton | 11714 | \$7.25 |
| Vinyl glove | 11773 | \$3.50 |
| Serial number | 25836 | \$17.00 |

BALANCE CALIBRATION WEIGHTS / METRIC SINGLE WEIGHTS

Range: 30 kg – 5 kg

CALIBRATION WEIGHTS
BALANCE CALIBRATION

Class 1 Polished Finish Grip-handle

| Weight | Part # | Price |
|--------|--------|------------|
| 30 kg | 12996 | \$2,280.00 |
| 25 kg | 12995 | \$1,970.00 |
| 24 kg | 12994 | \$1,910.00 |
| 20 kg | 12993 | \$1,730.00 |
| 16 kg | 12992 | \$1,530.00 |
| 10 kg | 12991 | \$1,100.00 |
| 8 kg | 12990 | \$1,080.00 |
| 5 kg | 12989 | \$810.00 |

Optional Certificate

| Accredited | Non-Accredited |
|------------|----------------|
| \$390.00 | \$85.00 |
| \$145.00 | \$80.00 |
| \$145.00 | \$80.00 |
| \$145.00 | \$80.00 |
| \$145.00 | \$80.00 |
| \$145.00 | \$80.00 |
| \$145.00 | \$80.00 |
| \$145.00 | \$80.00 |

Class 2 Polished Finish Grip-handle

| Weight | Part # | Price |
|--------|--------|------------|
| 30 kg | 13114 | \$2,000.00 |
| 25 kg | 13113 | \$1,680.00 |
| 24 kg | 13112 | \$1,660.00 |
| 20 kg | 13111 | \$1,490.00 |
| 16 kg | 13110 | \$1,430.00 |
| 10 kg | 13109 | \$1,000.00 |
| 8 kg | 13108 | \$980.00 |
| 5 kg | 13107 | \$650.00 |

Optional Certificate

| Accredited | Non-Accredited |
|------------|----------------|
| \$390.00 | \$85.00 |
| \$145.00 | \$80.00 |
| \$145.00 | \$80.00 |
| \$145.00 | \$80.00 |
| \$145.00 | \$80.00 |
| \$145.00 | \$80.00 |
| \$145.00 | \$80.00 |
| \$145.00 | \$80.00 |

Class 3 Satin Finish Grip-handle

| Weight | Part # | Price |
|--------|--------|------------|
| 30 kg | 13217 | \$1,810.00 |
| 25 kg | 13216 | \$1,570.00 |
| 24 kg | 13215 | \$1,530.00 |
| 20 kg | 13214 | \$1,340.00 |
| 16 kg | 13213 | \$1,150.00 |
| 10 kg | 13212 | \$905.00 |
| 8 kg | 13211 | \$840.00 |
| 5 kg | 13210 | \$630.00 |

Optional Certificate

| Accredited | Non-Accredited |
|------------|----------------|
| \$390.00 | \$85.00 |
| \$145.00 | \$80.00 |
| \$145.00 | \$80.00 |
| \$145.00 | \$80.00 |
| \$145.00 | \$80.00 |
| \$145.00 | \$80.00 |
| \$145.00 | \$80.00 |
| \$145.00 | \$80.00 |

Class 4 Satin Finish Grip-handle

| Weight | Part # | Price |
|--------|--------|------------|
| 30 kg | 13320 | \$1,670.00 |
| 25 kg | 13319 | \$1,420.00 |
| 24 kg | 13318 | \$1,350.00 |
| 20 kg | 13317 | \$1,160.00 |
| 16 kg | 13316 | \$1,020.00 |
| 10 kg | 13315 | \$805.00 |
| 8 kg | 13314 | \$795.00 |
| 5 kg | 13313 | \$560.00 |

Optional Certificate

| Accredited |
|------------|
| \$80.00 |
| \$75.00 |
| \$75.00 |
| \$75.00 |
| \$75.00 |
| \$75.00 |
| \$75.00 |
| \$75.00 |



Replacement Cases

| Main Cases | | |
|---------------------|---------|---------|
| Class 1, 2, 3 and 4 | | |
| Nominal Value | Part # | Price |
| 30 kg to 5 kg | Consult | Consult |

BALANCE CALIBRATION WEIGHTS / METRIC SINGLE WEIGHTS

Range: 5 kg – 10 g

Class 1 Polished Finish Cylindrical

| Weight | Part # | Price |
|---------|--------|----------|
| 5 kg | 12959 | \$765.00 |
| 4 kg | 12957 | \$665.00 |
| 3 kg | 12955 | \$395.00 |
| 2 kg | 12953 | \$230.00 |
| 1,500 g | 12986 | \$200.00 |
| 1,000 g | 12972 | \$170.00 |
| 600 g | 12984 | \$185.00 |
| 500 g | 12951 | \$145.00 |
| 400 g | 12969 | \$140.00 |
| 300 g | 12967 | \$135.00 |
| 200 g | 12949 | \$135.00 |
| 160 g | 12982 | \$145.00 |
| 150 g | 12980 | \$98.00 |
| 100 g | 12947 | \$90.00 |
| 50 g | 12965 | \$83.00 |
| 30 g | 12963 | \$83.00 |
| 20 g | 12961 | \$83.00 |
| 10 g | 12945 | \$83.00 |

Optional Certificate

| Accredited | Non-Accredited |
|------------|----------------|
| \$145.00 | \$80.00 |
| \$145.00 | \$80.00 |
| \$145.00 | \$80.00 |
| \$145.00 | \$80.00 |
| \$145.00 | \$80.00 |
| \$125.00 | \$60.00 |
| \$125.00 | \$60.00 |
| \$125.00 | \$60.00 |
| \$125.00 | \$60.00 |
| \$125.00 | \$60.00 |
| \$125.00 | \$60.00 |
| \$125.00 | \$60.00 |
| \$125.00 | \$60.00 |
| \$125.00 | \$60.00 |
| \$55.00 | \$45.00 |
| \$55.00 | \$45.00 |
| \$55.00 | \$45.00 |
| \$55.00 | \$45.00 |

Class 3 Satin Finish Cylindrical

| Weight | Part # | Price |
|---------|--------|----------|
| 5 kg | 13180 | \$580.00 |
| 4 kg | 13178 | \$550.00 |
| 3 kg | 13176 | \$300.00 |
| 2 kg | 13174 | \$195.00 |
| 1,500 g | 13207 | \$195.00 |
| 1,000 g | 13193 | \$160.00 |
| 600 g | 13205 | \$165.00 |
| 500 g | 13172 | \$130.00 |
| 400 g | 13190 | \$130.00 |
| 300 g | 13188 | \$120.00 |
| 200 g | 13170 | \$105.00 |
| 160 g | 13203 | \$135.00 |
| 150 g | 13201 | \$83.00 |
| 100 g | 13168 | \$77.00 |
| 50 g | 13186 | \$72.00 |
| 30 g | 13184 | \$72.00 |
| 20 g | 13182 | \$72.00 |
| 10 g | 13166 | \$72.00 |

Optional Certificate

| Accredited | Non-Accredited |
|------------|----------------|
| \$145.00 | \$80.00 |
| \$145.00 | \$80.00 |
| \$145.00 | \$80.00 |
| \$145.00 | \$80.00 |
| \$145.00 | \$80.00 |
| \$125.00 | \$60.00 |
| \$125.00 | \$60.00 |
| \$125.00 | \$60.00 |
| \$125.00 | \$60.00 |
| \$125.00 | \$60.00 |
| \$125.00 | \$60.00 |
| \$125.00 | \$60.00 |
| \$125.00 | \$60.00 |
| \$125.00 | \$60.00 |
| \$55.00 | \$45.00 |
| \$55.00 | \$45.00 |
| \$55.00 | \$45.00 |
| \$55.00 | \$45.00 |

Class 2 Polished Finish Cylindrical

| Weight | Part # | Price |
|---------|--------|----------|
| 5 kg | 13077 | \$610.00 |
| 4 kg | 13075 | \$600.00 |
| 3 kg | 13073 | \$310.00 |
| 2 kg | 13071 | \$205.00 |
| 1,500 g | 13104 | \$200.00 |
| 1,000 g | 13090 | \$165.00 |
| 600 g | 13102 | \$170.00 |
| 500 g | 13069 | \$140.00 |
| 400 g | 13087 | \$135.00 |
| 300 g | 13085 | \$125.00 |
| 200 g | 13067 | \$125.00 |
| 160 g | 13100 | \$135.00 |
| 150 g | 13098 | \$90.00 |
| 100 g | 13065 | \$83.00 |
| 50 g | 13083 | \$77.00 |
| 30 g | 13081 | \$77.00 |
| 20 g | 13079 | \$77.00 |
| 10 g | 13063 | \$77.00 |

Optional Certificate

| Accredited | Non-Accredited |
|------------|----------------|
| \$145.00 | \$80.00 |
| \$145.00 | \$80.00 |
| \$145.00 | \$80.00 |
| \$145.00 | \$80.00 |
| \$145.00 | \$80.00 |
| \$125.00 | \$60.00 |
| \$125.00 | \$60.00 |
| \$125.00 | \$60.00 |
| \$125.00 | \$60.00 |
| \$125.00 | \$60.00 |
| \$125.00 | \$60.00 |
| \$125.00 | \$60.00 |
| \$125.00 | \$60.00 |
| \$125.00 | \$60.00 |
| \$55.00 | \$45.00 |
| \$55.00 | \$45.00 |
| \$55.00 | \$45.00 |
| \$55.00 | \$45.00 |

Class 4 Satin Finish Cylindrical

| Weight | Part # | Price |
|---------|--------|----------|
| 5 kg | 13283 | \$505.00 |
| 4 kg | 13281 | \$475.00 |
| 3 kg | 13279 | \$295.00 |
| 2 kg | 13277 | \$185.00 |
| 1,500 g | 13310 | \$180.00 |
| 1,000 g | 13296 | \$160.00 |
| 600 g | 13308 | \$160.00 |
| 500 g | 13275 | \$125.00 |
| 400 g | 13293 | \$125.00 |
| 300 g | 13291 | \$105.00 |
| 200 g | 13273 | \$98.00 |
| 160 g | 13306 | \$130.00 |
| 150 g | 13304 | \$77.00 |
| 100 g | 13271 | \$72.00 |
| 50 g | 13289 | \$72.00 |
| 30 g | 13287 | \$72.00 |
| 20 g | 13285 | \$72.00 |
| 10 g | 13269 | \$72.00 |

Optional Certificate

| Accredited |
|------------|
| \$75.00 |
| \$75.00 |
| \$75.00 |
| \$75.00 |
| \$75.00 |
| \$55.00 |
| \$55.00 |
| \$55.00 |
| \$55.00 |
| \$55.00 |
| \$55.00 |
| \$55.00 |
| \$55.00 |
| \$40.00 |
| \$40.00 |
| \$40.00 |
| \$40.00 |

CALIBRATION WEIGHTS
BALANCE CALIBRATION

Replacement Cases

| Main Cases | | |
|---------------------|--------|----------|
| Class 1, 2, 3 and 4 | | |
| Nominal Value | Part # | Price |
| 5 kg | 197476 | \$240.00 |
| 4 kg | 197475 | \$240.00 |
| 3 kg | 190273 | \$40.50 |
| 2 kg | 190268 | \$40.50 |
| 1,500 g | 190270 | \$40.50 |
| 1,000 g | 190259 | \$40.50 |
| 600 g | 189714 | \$40.50 |
| 500 g | 189712 | \$40.50 |
| 400 g | 189709 | \$40.50 |

| Main Cases | | |
|---------------------|--------|---------|
| Class 1, 2, 3 and 4 | | |
| Nominal Value | Part # | Price |
| 300 g | 189643 | \$40.50 |
| 200 g | 194185 | \$38.50 |
| 160 g | 189634 | \$40.50 |
| 150 g | 189633 | \$40.50 |
| 100 g | 189567 | \$44.50 |
| 50 g | 189506 | \$44.50 |
| 30 g | 189505 | \$44.50 |
| 20 g | 189482 | \$44.50 |
| 10 g | 189475 | \$44.50 |



BALANCE CALIBRATION WEIGHTS / AVOIRDUPOIS SINGLE WEIGHTS

Range: 50 lb – 10 lb

Class 1 Polished Finish Grip-handle

| Weight | Part # | Price |
|--------|--------------|------------|
| 50 lb | 13038 | \$1,970.00 |
| 30 lb | 13037 | \$1,540.00 |
| 25 lb | 13036 | \$1,100.00 |
| 20 lb | 13035 | \$1,100.00 |
| 10 lb | 13034 | \$795.00 |

Optional Certificate

| Accredited | Non-Accredited |
|------------|----------------|
| \$285.00 | \$85.00 |
| \$130.00 | \$85.00 |
| \$130.00 | \$85.00 |
| \$130.00 | \$85.00 |
| \$130.00 | \$85.00 |

Class 2 Polished Finish Grip-handle

| Weight | Part # | Price |
|--------|--------------|------------|
| 50 lb | 13155 | \$1,680.00 |
| 30 lb | 13154 | \$1,240.00 |
| 25 lb | 13153 | \$970.00 |
| 20 lb | 13152 | \$930.00 |
| 10 lb | 13151 | \$650.00 |

Optional Certificate

| Accredited | Non-Accredited |
|------------|----------------|
| \$285.00 | \$85.00 |
| \$130.00 | \$85.00 |
| \$130.00 | \$85.00 |
| \$130.00 | \$85.00 |
| \$130.00 | \$85.00 |

Class 3 Satin Finish Grip-handle

| Weight | Part # | Price |
|--------|--------------|------------|
| 50 lb | 13258 | \$1,580.00 |
| 30 lb | 13257 | \$1,100.00 |
| 25 lb | 13256 | \$835.00 |
| 20 lb | 13255 | \$815.00 |
| 10 lb | 13254 | \$640.00 |

Optional Certificate

| Accredited | Non-Accredited |
|------------|----------------|
| \$285.00 | \$85.00 |
| \$130.00 | \$85.00 |
| \$130.00 | \$85.00 |
| \$130.00 | \$85.00 |
| \$130.00 | \$85.00 |

Class 4 Satin Finish Grip-handle

| Weight | Part # | Price |
|--------|--------------|------------|
| 50 lb | 13361 | \$1,560.00 |
| 30 lb | 13360 | \$1,040.00 |
| 25 lb | 13359 | \$765.00 |
| 20 lb | 13358 | \$680.00 |
| 10 lb | 13357 | \$520.00 |

Optional Certificate

| Accredited |
|------------|
| \$80.00 |
| \$80.00 |
| \$80.00 |
| \$80.00 |
| \$80.00 |

CALIBRATION WEIGHTS
BALANCE CALIBRATION



Replacement Cases

| Main Cases | | |
|---------------------|----------------|---------|
| Class 1, 2, 3 and 4 | | |
| Nominal Value | Part # | Price |
| 50 lb to 10 lb | Consult | Consult |

BALANCE CALIBRATION WEIGHTS / AVOIRDUPOIS SINGLE WEIGHTS

Range: 10 lb – 0.05 lb

Class 1 Polished Finish
Cylindrical

| Weight | Part # | Price |
|---------|--------|----------|
| 10 lb | 13022 | \$775.00 |
| 5 lb | 13020 | \$395.00 |
| 4 lb | 13018 | \$230.00 |
| 3 lb | 13016 | \$200.00 |
| 2 lb | 13014 | \$180.00 |
| 1 lb | 13012 | \$145.00 |
| 8 oz | 13010 | \$125.00 |
| 4 oz | 13008 | \$120.00 |
| 2 oz | 13006 | \$105.00 |
| 1 oz | 13004 | \$105.00 |
| 1/2 oz | 13002 | \$98.00 |
| 0.5 lb | 13033 | \$125.00 |
| 0.2 lb | 13025 | \$120.00 |
| 0.1 lb | 13027 | \$105.00 |
| 0.05 lb | 13029 | \$98.00 |

Optional Certificate

| Accredited | Non-Accredited |
|------------|----------------|
| \$130.00 | \$85.00 |
| \$130.00 | \$85.00 |
| \$130.00 | \$85.00 |
| \$130.00 | \$85.00 |
| \$105.00 | \$70.00 |
| \$105.00 | \$70.00 |
| \$55.00 | \$45.00 |
| \$55.00 | \$45.00 |
| \$55.00 | \$45.00 |
| \$55.00 | \$45.00 |
| \$55.00 | \$45.00 |
| \$55.00 | \$45.00 |
| \$55.00 | \$45.00 |
| \$55.00 | \$45.00 |
| \$55.00 | \$45.00 |
| \$55.00 | \$45.00 |
| \$55.00 | \$45.00 |
| \$55.00 | \$45.00 |

Class 3 Satin Finish
Cylindrical

| Weight | Part # | Price |
|---------|--------|----------|
| 10 lb | 13242 | \$550.00 |
| 5 lb | 13240 | \$310.00 |
| 4 lb | 13238 | \$205.00 |
| 3 lb | 13236 | \$195.00 |
| 2 lb | 13234 | \$160.00 |
| 1 lb | 13232 | \$135.00 |
| 8 oz | 13230 | \$105.00 |
| 4 oz | 13228 | \$89.00 |
| 2 oz | 13226 | \$83.00 |
| 1 oz | 13224 | \$77.00 |
| 1/2 oz | 13222 | \$77.00 |
| 0.5 lb | 13253 | \$105.00 |
| 0.2 lb | 13245 | \$72.00 |
| 0.1 lb | 13247 | \$72.00 |
| 0.05 lb | 13249 | \$72.00 |

Optional Certificate

| Accredited | Non-Accredited |
|------------|----------------|
| \$130.00 | \$85.00 |
| \$130.00 | \$85.00 |
| \$130.00 | \$85.00 |
| \$130.00 | \$85.00 |
| \$105.00 | \$70.00 |
| \$105.00 | \$70.00 |
| \$55.00 | \$45.00 |
| \$55.00 | \$45.00 |
| \$55.00 | \$45.00 |
| \$55.00 | \$45.00 |
| \$55.00 | \$45.00 |
| \$55.00 | \$45.00 |
| \$55.00 | \$45.00 |
| \$55.00 | \$45.00 |
| \$55.00 | \$45.00 |
| \$55.00 | \$45.00 |
| \$55.00 | \$45.00 |
| \$55.00 | \$45.00 |

Class 2 Polished Finish
Cylindrical

| Weight | Part # | Price |
|---------|--------|----------|
| 10 lb | 13139 | \$605.00 |
| 5 lb | 13137 | \$330.00 |
| 4 lb | 13135 | \$210.00 |
| 3 lb | 13133 | \$195.00 |
| 2 lb | 13131 | \$165.00 |
| 1 lb | 13129 | \$140.00 |
| 8 oz | 13127 | \$120.00 |
| 4 oz | 13125 | \$89.00 |
| 2 oz | 13123 | \$83.00 |
| 1 oz | 13121 | \$83.00 |
| 1/2 oz | 13119 | \$83.00 |
| 0.5 lb | 13150 | \$105.00 |
| 0.2 lb | 13142 | \$83.00 |
| 0.1 lb | 13144 | \$83.00 |
| 0.05 lb | 13146 | \$83.00 |

Optional Certificate

| Accredited | Non-Accredited |
|------------|----------------|
| \$130.00 | \$85.00 |
| \$130.00 | \$85.00 |
| \$130.00 | \$85.00 |
| \$130.00 | \$85.00 |
| \$105.00 | \$70.00 |
| \$105.00 | \$70.00 |
| \$55.00 | \$45.00 |
| \$55.00 | \$45.00 |
| \$55.00 | \$45.00 |
| \$55.00 | \$45.00 |
| \$55.00 | \$45.00 |
| \$55.00 | \$45.00 |
| \$55.00 | \$45.00 |
| \$55.00 | \$45.00 |
| \$55.00 | \$45.00 |
| \$55.00 | \$45.00 |
| \$55.00 | \$45.00 |

Class 4 Satin Finish
Cylindrical

| Weight | Part # | Price |
|---------|--------|----------|
| 10 lb | 13345 | \$520.00 |
| 5 lb | 13343 | \$300.00 |
| 4 lb | 13341 | \$200.00 |
| 3 lb | 13339 | \$185.00 |
| 2 lb | 13337 | \$160.00 |
| 1 lb | 13335 | \$130.00 |
| 8 oz | 13333 | \$98.00 |
| 4 oz | 13331 | \$83.00 |
| 2 oz | 13329 | \$77.00 |
| 1 oz | 13327 | \$72.00 |
| 1/2 oz | 13325 | \$72.00 |
| 0.5 lb | 13356 | \$98.00 |
| 0.2 lb | 13348 | \$72.00 |
| 0.1 lb | 13350 | \$72.00 |
| 0.05 lb | 13352 | \$72.00 |

Optional Certificate

| Accredited |
|------------|
| \$80.00 |
| \$80.00 |
| \$80.00 |
| \$80.00 |
| \$65.00 |
| \$65.00 |
| \$40.00 |
| \$40.00 |
| \$40.00 |
| \$40.00 |
| \$40.00 |
| \$40.00 |
| \$40.00 |
| \$40.00 |
| \$40.00 |
| \$40.00 |
| \$40.00 |

**CALIBRATION WEIGHTS
BALANCE CALIBRATION**

Replacement Cases

| Main Cases | | |
|---------------------|--------|----------|
| Class 1, 2, 3 and 4 | | |
| Nominal Value | Part # | Price |
| 10 lb | 197473 | \$240.00 |
| 5 lb | 190269 | \$40.50 |
| 4 lb | 190267 | \$40.50 |
| 3 lb | 190263 | \$40.50 |
| 2 lb | 190260 | \$40.50 |
| 1 lb | 189710 | \$40.50 |
| 8 oz | 189635 | \$40.50 |
| 4 oz | 189568 | \$44.50 |

| Main Cases | | |
|---------------------|--------|---------|
| Class 1, 2, 3 and 4 | | |
| Nominal Value | Part # | Price |
| 2 oz | 189565 | \$44.50 |
| 1 oz | 189484 | \$44.50 |
| 1/2 oz | 189476 | \$44.50 |
| 0.5 lb | 189635 | \$40.50 |
| 0.2 lb | 189565 | \$44.50 |
| 0.1 lb | 189507 | \$44.50 |
| 0.05 lb | 189483 | \$44.50 |



BALANCE CALIBRATION WEIGHTS / AVOIRDUPOIS SINGLE WEIGHT WITH CASE (KIT)

Range: 10 lb – 0.05 lb

CALIBRATION WEIGHTS
BALANCE CALIBRATION

Class 1 Polished Finish

| Weight | Part # | Price |
|---------|--------|----------|
| 10 lb | 13021 | \$795.00 |
| 5 lb | 13019 | \$420.00 |
| 4 lb | 13017 | \$250.00 |
| 3 lb | 13015 | \$230.00 |
| 2 lb | 13013 | \$205.00 |
| 1 lb | 13011 | \$170.00 |
| 8 oz | 13009 | \$145.00 |
| 4 oz | 13007 | \$140.00 |
| 2 oz | 13005 | \$135.00 |
| 1 oz | 13003 | \$135.00 |
| 1/2 oz | 13001 | \$135.00 |
| 0.5 lb | 13032 | \$145.00 |
| 0.2 lb | 13024 | \$140.00 |
| 0.1 lb | 13026 | \$135.00 |
| 0.05 lb | 13028 | \$135.00 |

Optional Certificate

| Accredited | Non-Accredited |
|------------|----------------|
| \$130.00 | \$85.00 |
| \$130.00 | \$85.00 |
| \$130.00 | \$85.00 |
| \$130.00 | \$85.00 |
| \$105.00 | \$70.00 |
| \$105.00 | \$70.00 |
| \$55.00 | \$45.00 |
| \$55.00 | \$45.00 |
| \$55.00 | \$45.00 |
| \$55.00 | \$45.00 |
| \$55.00 | \$45.00 |
| \$55.00 | \$45.00 |
| \$55.00 | \$45.00 |
| \$55.00 | \$45.00 |
| \$55.00 | \$45.00 |
| \$55.00 | \$45.00 |
| \$55.00 | \$45.00 |
| \$55.00 | \$45.00 |
| \$55.00 | \$45.00 |

Class 2 Polished Finish

| Weight | Part # | Price |
|---------|--------|----------|
| 10 lb | 13138 | \$640.00 |
| 5 lb | 13136 | \$340.00 |
| 4 lb | 13134 | \$245.00 |
| 3 lb | 13132 | \$230.00 |
| 2 lb | 13130 | \$185.00 |
| 1 lb | 13128 | \$170.00 |
| 8 oz | 13126 | \$140.00 |
| 4 oz | 13124 | \$120.00 |
| 2 oz | 13122 | \$120.00 |
| 1 oz | 13120 | \$120.00 |
| 1/2 oz | 13118 | \$120.00 |
| 0.5 lb | 13149 | \$140.00 |
| 0.2 lb | 13141 | \$120.00 |
| 0.1 lb | 13143 | \$120.00 |
| 0.05 lb | 13145 | \$120.00 |

Optional Certificate

| Accredited | Non-Accredited |
|------------|----------------|
| \$130.00 | \$85.00 |
| \$130.00 | \$85.00 |
| \$130.00 | \$85.00 |
| \$130.00 | \$85.00 |
| \$105.00 | \$70.00 |
| \$105.00 | \$70.00 |
| \$55.00 | \$45.00 |
| \$55.00 | \$45.00 |
| \$55.00 | \$45.00 |
| \$55.00 | \$45.00 |
| \$55.00 | \$45.00 |
| \$55.00 | \$45.00 |
| \$55.00 | \$45.00 |
| \$55.00 | \$45.00 |
| \$55.00 | \$45.00 |
| \$55.00 | \$45.00 |
| \$55.00 | \$45.00 |
| \$55.00 | \$45.00 |
| \$55.00 | \$45.00 |



Kits Include a Single Weight with Case and Glove

Replacement Cases

| Main Cases | | |
|---------------|--------|----------|
| Class 1 and 2 | | |
| Nominal Value | Part # | Price |
| 10 lb | 197473 | \$240.00 |
| 5 lb | 190269 | \$40.50 |
| 4 lb | 190267 | \$40.50 |
| 3 lb | 190263 | \$40.50 |
| 2 lb | 190260 | \$40.50 |
| 1 lb | 189710 | \$40.50 |
| 8 oz | 189635 | \$40.50 |
| 4 oz | 189568 | \$44.50 |
| 2 oz | 189565 | \$44.50 |

| Main Cases | | |
|---------------|--------|---------|
| Class 1 and 2 | | |
| Nominal Value | Part # | Price |
| 1 oz | 189484 | \$44.50 |
| 1/2 oz | 189476 | \$44.50 |
| 0.5 lb | 189635 | \$40.50 |
| 0.2 lb | 190126 | \$40.50 |
| 0.1 lb | 189507 | \$44.50 |
| 0.05 lb | 189483 | \$44.50 |

Accessories

| Description | Part # | Price |
|----------------------------|--------|---------|
| Statement of Accuracy | 36092 | \$47.50 |
| Weight glove, white cotton | 11714 | \$7.25 |
| Vinyl glove | 11773 | \$3.50 |
| Serial number | 25836 | \$17.00 |

BALANCE CALIBRATION WEIGHTS / AVOIRDUPOIS SINGLE WEIGHT WITH CASE (KIT)

Range: 10 lb – 0.05 lb

Class 3 Satin Finish

| Weight | Part # | Price |
|---------|--------------|----------|
| 10 lb | 13241 | \$575.00 |
| 5 lb | 13239 | \$340.00 |
| 4 lb | 13237 | \$245.00 |
| 3 lb | 13235 | \$230.00 |
| 2 lb | 13233 | \$185.00 |
| 1 lb | 13231 | \$160.00 |
| 8 oz | 13229 | \$140.00 |
| 4 oz | 13227 | \$120.00 |
| 2 oz | 13225 | \$120.00 |
| 1 oz | 13223 | \$120.00 |
| 1/2 oz | 13221 | \$120.00 |
| 0.5 lb | 13252 | \$140.00 |
| 0.2 lb | 13244 | \$105.00 |
| 0.1 lb | 13246 | \$105.00 |
| 0.05 lb | 13248 | \$105.00 |

Optional Certificate

| Accredited | Non-Accredited |
|------------|----------------|
| \$130.00 | \$85.00 |
| \$130.00 | \$85.00 |
| \$130.00 | \$85.00 |
| \$130.00 | \$85.00 |
| \$105.00 | \$70.00 |
| \$105.00 | \$70.00 |
| \$55.00 | \$45.00 |
| \$55.00 | \$45.00 |
| \$55.00 | \$45.00 |
| \$55.00 | \$45.00 |
| \$55.00 | \$45.00 |
| \$55.00 | \$45.00 |
| \$55.00 | \$45.00 |
| \$55.00 | \$45.00 |
| \$55.00 | \$45.00 |
| \$55.00 | \$45.00 |
| \$55.00 | \$45.00 |
| \$55.00 | \$45.00 |



Case for 10lb only

Class 4 Satin Finish

| Weight | Part # | Price |
|---------|--------------|----------|
| 10 lb | 13344 | \$555.00 |
| 5 lb | 13342 | \$330.00 |
| 4 lb | 13340 | \$235.00 |
| 3 lb | 13338 | \$210.00 |
| 2 lb | 13336 | \$185.00 |
| 1 lb | 13334 | \$150.00 |
| 8 oz | 13332 | \$130.00 |
| 4 oz | 13330 | \$120.00 |
| 2 oz | 13328 | \$120.00 |
| 1 oz | 13326 | \$105.00 |
| 1/2 oz | 13324 | \$105.00 |
| 0.5 lb | 13355 | \$135.00 |
| 0.2 lb | 13347 | \$98.00 |
| 0.1 lb | 13349 | \$98.00 |
| 0.05 lb | 13351 | \$98.00 |

Optional Certificate

| Accredited |
|------------|
| \$80.00 |
| \$80.00 |
| \$80.00 |
| \$80.00 |
| \$65.00 |
| \$65.00 |
| \$40.00 |
| \$40.00 |
| \$40.00 |
| \$40.00 |
| \$40.00 |
| \$40.00 |
| \$40.00 |
| \$40.00 |
| \$40.00 |
| \$40.00 |
| \$40.00 |



Kits Include a Single Weight with Case and Glove

CALIBRATION WEIGHTS
BALANCE CALIBRATION

Replacement Cases

| Main Cases | | |
|---------------|---------------|----------|
| Class 3 and 4 | | |
| Nominal Value | Part # | Price |
| 10 lb | 197473 | \$240.00 |
| 5 lb | 190269 | \$40.50 |
| 4 lb | 190267 | \$40.50 |
| 3 lb | 190263 | \$40.50 |
| 2 lb | 190260 | \$40.50 |
| 1 lb | 189710 | \$40.50 |
| 8 oz | 189635 | \$40.50 |
| 4 oz | 189568 | \$44.50 |
| 2 oz | 189565 | \$44.50 |

| Main Cases | | |
|---------------|---------------|---------|
| Class 3 and 4 | | |
| Nominal Value | Part # | Price |
| 1 oz | 189484 | \$44.50 |
| 1/2 oz | 189476 | \$44.50 |
| 0.5 lb | 189635 | \$40.50 |
| 0.2 lb | 190126 | \$40.50 |
| 0.1 lb | 189507 | \$44.50 |
| 0.05 lb | 189483 | \$44.50 |

Accessories

| Description | Part # | Price |
|----------------------------|--------------|---------|
| Statement of Accuracy | 36092 | \$47.50 |
| Weight glove, white cotton | 11714 | \$7.25 |
| Vinyl glove | 11773 | \$3.50 |
| Serial number | 25836 | \$17.00 |

STAINLESS STEEL / METRIC SINGLE WEIGHTS

Range: 30 kg – 1 mg

Class 5 Grip-handle

| Weight | Part # | Height | Diameter | Price |
|--------|--------------|---------------------|---------------|------------|
| 30 kg | 12572 | 9-3/16 in (233 mm) | 6 in (152 mm) | \$1,360.00 |
| 25 kg | 12571 | 7-3/16 in (183 mm) | 6 in (152 mm) | \$1,080.00 |
| 20 kg | 12569 | 6-7/16 in (164 mm) | 6 in (152 mm) | \$930.00 |
| 10 kg | 12567 | 5-3/16 in (132 mm) | 5 in (127 mm) | \$660.00 |
| 8 kg | 12565 | 4-13/32 in (112 mm) | 5 in (127 mm) | \$615.00 |
| 5 kg | 12564 | 3-7/32 in (82 mm) | 5 in (127 mm) | \$360.00 |

Optional Certificate

| Accredited | Price |
|------------|---------|
| | \$80.00 |
| | \$75.00 |
| | \$75.00 |
| | \$75.00 |
| | \$75.00 |
| | \$75.00 |



Class 5 Cylindrical

| Weight | Part # | Height | Diameter | Price |
|--------|--------------|---------------------|-------------------|----------|
| 5 kg | 12521 | 4-13/32 in (112 mm) | 3-1/2 in (89 mm) | \$265.00 |
| 4 kg | 12519 | 3-3/16 in (97 mm) | 3-3/8 in (85 mm) | \$245.00 |
| 3 kg | 12517 | 3-23/32 in (95 mm) | 3 in (76 mm) | \$220.00 |
| 2 kg | 12515 | 3-5/16 in (84 mm) | 2-5/8 in (66 mm) | \$160.00 |
| 1 kg | 12513 | 2-11/16 in (68 mm) | 2 in (50 mm) | \$90.00 |
| 500 g | 12511 | 2-1/8 in (54 mm) | 1-5/8 in (41 mm) | \$84.00 |
| 400 g | 12531 | 2-1/32 in (52 mm) | 1-1/2 in (38 mm) | \$77.00 |
| 300 g | 12529 | 1-13/16 in (46 mm) | 1-3/8 in (35 mm) | \$77.00 |
| 200 g | 12509 | 1-21/32 in (42 mm) | 1-3/16 in (30 mm) | \$66.00 |
| 150 g | 12549 | 1-9/32 in (33 mm) | 1-3/16 in (30 mm) | \$57.00 |
| 100 g | 12507 | 1-3/16 in (30 mm) | 1 in (25 mm) | \$54.00 |
| 50 g | 12527 | 31/32 in (25 mm) | 3/4 in (19 mm) | \$49.00 |
| 30 g | 12525 | 11/16 in (17 mm) | 11/16 in (17 mm) | \$45.50 |
| 20 g | 12523 | 5/8 in (16 mm) | 19/32 in (15 mm) | \$45.50 |
| 10 g | 12505 | 19/32 in (15 mm) | 7/16 in (11 mm) | \$45.50 |
| 5 g | 12503 | 13/32 in (10 mm) | 3/8 in (10 mm) | \$39.50 |
| 3 g | 12533 | 3/8 in (9 mm) | 5/16 in (8 mm) | \$39.50 |
| 2 g | 12501 | 5/16 in (8 mm) | 9/32 in (7 mm) | \$39.50 |

Optional Certificate

| Accredited | Price |
|------------|---------|
| | \$75.00 |
| | \$75.00 |
| | \$75.00 |
| | \$75.00 |
| | \$55.00 |
| | \$55.00 |
| | \$55.00 |
| | \$55.00 |
| | \$55.00 |
| | \$40.00 |
| | \$40.00 |
| | \$40.00 |
| | \$40.00 |
| | \$40.00 |
| | \$40.00 |
| | \$40.00 |
| | \$40.00 |
| | \$40.00 |
| | \$40.00 |
| | \$40.00 |



CALIBRATION WEIGHTS
STAINLESS FIELD

Class 5 Leaf (Milligram) with Vial

| Weight | Part # | Price |
|--------|---------------|---------|
| 500 mg | 219300 | \$29.30 |
| 300 mg | 219301 | \$29.30 |
| 200 mg | 219302 | \$29.30 |
| 100 mg | 219304 | \$29.30 |
| 50 mg | 219305 | \$29.30 |
| 30 mg | 219306 | \$29.30 |
| 20 mg | 219307 | \$29.30 |
| 10 mg | 219308 | \$29.30 |
| 5 mg | 219309 | \$29.30 |
| 3 mg | 219310 | \$29.30 |
| 2 mg | 219311 | \$29.30 |
| 1 mg | 219312 | \$29.30 |
| 1 g | 12499 | \$39.50 |

Optional Certificate

| Accredited | Price |
|------------|---------|
| | \$40.00 |
| | \$40.00 |
| | \$40.00 |
| | \$40.00 |
| | \$40.00 |
| | \$40.00 |
| | \$40.00 |
| | \$40.00 |
| | \$40.00 |
| | \$40.00 |
| | \$40.00 |
| | \$40.00 |
| | \$40.00 |
| | \$40.00 |
| | \$40.00 |
| | \$40.00 |
| | \$40.00 |
| | \$40.00 |

Class 5 Leaf (Milligram) Weight Only

| Weight | Part # | Price |
|--------|--------------|---------|
| 500 mg | 12913 | \$25.50 |
| 300 mg | 12914 | \$25.50 |
| 200 mg | 12915 | \$25.50 |
| 100 mg | 12916 | \$25.50 |
| 50 mg | 12917 | \$25.50 |
| 30 mg | 12918 | \$25.50 |
| 20 mg | 12919 | \$25.50 |
| 10 mg | 12920 | \$25.50 |
| 5 mg | 12921 | \$25.50 |
| 3 mg | 12922 | \$25.50 |
| 2 mg | 12923 | \$25.50 |
| 1 mg | 12924 | \$25.50 |
| 1 mg | 12924 | \$25.50 |

Optional Certificate

| Accredited | Price |
|------------|---------|
| | \$40.00 |
| | \$40.00 |
| | \$40.00 |
| | \$40.00 |
| | \$40.00 |
| | \$40.00 |
| | \$40.00 |
| | \$40.00 |
| | \$40.00 |
| | \$40.00 |
| | \$40.00 |
| | \$40.00 |
| | \$40.00 |
| | \$40.00 |
| | \$40.00 |
| | \$40.00 |
| | \$40.00 |
| | \$40.00 |



Kits include a Single Weight with Vial

Optional Cases

| Main Cases | | |
|---------------------|---------------|----------|
| Cylindrical Class 5 | | |
| Nominal Value | Part # | Price |
| 5 kg | 197476 | \$240.00 |
| 4 kg | 197475 | \$240.00 |
| 3 kg | 190273 | \$40.50 |
| 2 kg | 190268 | \$40.50 |
| 1 kg | 190259 | \$40.50 |
| 500 g | 189712 | \$40.50 |
| 400 g | 189709 | \$40.50 |
| 300 g | 189643 | \$40.50 |
| 200 g | 194185 | \$38.50 |

| Main Cases | | |
|---------------------|---------------|---------|
| Cylindrical Class 5 | | |
| Nominal Value | Part # | Price |
| 150 g | 189633 | \$40.50 |
| 100 g | 189567 | \$44.50 |
| 50 g | 189506 | \$44.50 |
| 30 g | 190126 | \$40.50 |
| 20 g | 189482 | \$44.50 |
| 10 g | 189475 | \$44.50 |
| 5 g | 194048 | \$42.00 |
| 3 g | 194030 | \$42.00 |

Accessories

| Description | Part # | Price |
|-----------------------|--------------|---------|
| Statement of Accuracy | 36092 | \$47.50 |
| Serial number | 25836 | \$17.00 |
| Vial | 50038 | \$5.25 |

STAINLESS STEEL / AVOIRDUPOIS SINGLE WEIGHTS

Range: 50 lb – 10 lb

Class 5
Grip-handle

Optional Certificate

| Weight | Part # | Height | Diameter | Price | Accredited |
|--------|--------------|---------------------|---------------|------------|------------|
| 50 lb | 12677 | 6-21/32 in (169 mm) | 6 in (152 mm) | \$1,020.00 | \$80.00 |
| 30 lb | 12676 | 6-11/16 in (170 mm) | 5 in (127 mm) | \$775.00 | \$80.00 |
| 25 lb | 12675 | 5-3/4 in (146 mm) | 5 in (127 mm) | \$650.00 | \$80.00 |
| 20 lb | 12674 | 4-27/32 in (123 mm) | 5 in (127 mm) | \$600.00 | \$80.00 |
| 10 lb | 12673 | 3-1/32 in (77 mm) | 5 in (127 mm) | \$360.00 | \$80.00 |

**CALIBRATION WEIGHTS
STAINLESS FIELD**



Accessories

| Description | Part # | Price |
|-----------------------|--------------|---------|
| Statement of Accuracy | 36092 | \$47.50 |
| Serial number | 25836 | \$17.00 |

STAINLESS STEEL / AVOIRDUPOIS SINGLE WEIGHTS

Range: 10 lb – 0.001 lb

Class 5 Cylindrical

Optional Certificate

| Weight | Part # | Height | Diameter | Price | Accredited |
|----------|--------|--------------------|------------------|----------|------------|
| 10 lb | 12606 | 4-1/16 in (103 mm) | 3-1/2 in (88 mm) | \$250.00 | \$80.00 |
| 5 lb | 12604 | 3-11/16 in (93 mm) | 2-5/8 in (66 mm) | \$160.00 | \$80.00 |
| 4 lb | 12602 | 3-1/16 in (77 mm) | 2-5/8 in (66 mm) | \$155.00 | \$80.00 |
| 3 lb | 12600 | 2-15/16 in (74 mm) | 2-1/4 in (57 mm) | \$150.00 | \$80.00 |
| 2 lb | 12598 | 2-15/32 in (63 mm) | 2 in (51 mm) | \$83.00 | \$65.00 |
| 1 lb | 12596 | 2-9/32 in (58 mm) | 1-1/2 in (38 mm) | \$72.00 | \$65.00 |
| 12 oz | 12626 | 2-1/16 in (52 mm) | 1-3/8 in (35 mm) | \$66.00 | \$40.00 |
| 8 oz | 12594 | 1-21/32 in (42 mm) | 1-1/4 in (32 mm) | \$57.00 | \$40.00 |
| 4 oz | 12592 | 1-11/32 in (34 mm) | 1 in (25 mm) | \$51.00 | \$40.00 |
| 2 oz | 12590 | 15/16 in (24 mm) | 13/16 in (21 mm) | \$49.00 | \$40.00 |
| 1 oz | 12587 | 13/16 in (20 mm) | 5/8 in (16 mm) | \$45.50 | \$40.00 |
| 1/2 oz | 12584 | 21/32 in (17 mm) | 1/2 in (13 mm) | \$45.50 | \$40.00 |
| 1/4 oz | 12581 | 5/8 in (16 mm) | 3/8 in (10 mm) | \$39.50 | \$40.00 |
| 1/8 oz | 12578 | 7/16 in (11 mm) | 5/16 in (8 mm) | \$39.50 | \$40.00 |
| 1/16 oz | 12575 | 3/8 in (10 mm) | 1/4 in (6 mm) | \$39.50 | \$40.00 |
| 1/32 oz | 12608 | 11/32 in (9 mm) | 3/16 in (5 mm) | \$39.50 | \$40.00 |
| 0.5 oz | 12647 | 21/32 in (17 mm) | 1/2 in (13 mm) | \$45.50 | \$40.00 |
| 0.3 oz | 12645 | 17/32 in (14 mm) | 7/16 in (11 mm) | \$45.50 | \$40.00 |
| 0.2 oz | 12643 | 1/2 in (13 mm) | 3/8 in (9 mm) | \$45.50 | \$40.00 |
| 0.1 oz | 12641 | 3/8 in (9 mm) | 5/16 in (8 mm) | \$45.50 | \$40.00 |
| 0.05 oz | 12639 | 5/16 in (7 mm) | 1/4 in (6 mm) | \$45.50 | \$40.00 |
| 0.5 lb | 12624 | 1-21/32 in (42 mm) | 1 1/4 in (32 mm) | \$57.00 | \$40.00 |
| 0.3 lb | 12622 | 1-3/16 in (30 mm) | 1 1/8 in (28 mm) | \$57.00 | \$40.00 |
| 0.2 lb | 12610 | 1-7/32 in (31 mm) | 15/16 in (24 mm) | \$49.00 | \$40.00 |
| 0.1 lb | 12612 | 7/8 in (22 mm) | 3/4 in (19 mm) | \$49.00 | \$40.00 |
| 0.05 lb | 12614 | 23/32 in (18 mm) | 19/32 in (15 mm) | \$49.00 | \$40.00 |
| 0.03 lb | 12620 | 5/8 in (16 mm) | 1/2 in (12 mm) | \$49.00 | \$40.00 |
| 0.02 lb | 12616 | 9/16 in (14 mm) | 7/16 in (11 mm) | \$49.00 | \$40.00 |
| 0.01 lb | 12618 | 17/32 in (14 mm) | 5/16 in (8 mm) | \$49.00 | \$40.00 |
| 0.005 lb | 198340 | 7/16 in (11 mm) | 15/64 in (6 mm) | \$45.50 | \$40.00 |
| 0.003 lb | 198344 | 7/64 in (7 mm) | 15/64 in (6 mm) | \$45.50 | \$40.00 |
| 0.002 lb | 198341 | 21/64 in (9 mm) | 11/64 in (4 mm) | \$45.50 | \$40.00 |
| 0.001 lb | 198343 | 3/16 in (5 mm) | 11/64 in (4 mm) | \$45.50 | \$40.00 |

CALIBRATION WEIGHTS
STAINLESS FIELD



Optional Cases

| Main Cases | | |
|---------------|--------|----------|
| Class 5 | | |
| Nominal Vaule | Part # | Price |
| 10 lb | 197473 | \$240.00 |
| 5 lb | 190269 | \$40.50 |
| 4 lb | 190267 | \$40.50 |
| 3 lb | 190263 | \$40.50 |
| 2 lb | 190260 | \$40.50 |
| 1 lb | 189710 | \$40.50 |
| 12 oz | 189636 | \$40.50 |
| 8 oz | 189635 | \$40.50 |
| 4 oz | 189567 | \$44.50 |
| 2 oz | 189565 | \$44.50 |
| 1 oz | 189484 | \$44.50 |
| 1/2 oz | 189476 | \$44.50 |
| 1/4 oz | 194054 | \$42.00 |
| 1/8 oz | 194032 | \$42.00 |
| 1/16 oz | 189234 | \$44.50 |
| 1/32 oz | 190126 | \$40.50 |
| 0.5 oz | 189476 | \$44.50 |

| Main Cases | | |
|---------------|---------|----------|
| Class 5 | | |
| Nominal Vaule | Part # | Price |
| 0.3 oz | 189350 | \$44.50 |
| 0.2 oz | 194054 | \$42.00 |
| 0.1 oz | 194032 | \$42.00 |
| 0.05 oz | 189234 | \$44.50 |
| 0.5 lb | 189635 | \$40.50 |
| 0.3 lb | 189644 | \$40.50 |
| 0.2 lb | 190126 | \$40.50 |
| 0.1 lb | 189506 | \$44.50 |
| 0.05 lb | 190126 | \$40.50 |
| 0.03 lb | 189476 | \$44.50 |
| 0.02 lb | 189350 | \$44.50 |
| 0.01 lb | 194031 | \$165.00 |
| 0.005 lb | Consult | Consult |
| 0.003 lb | Consult | Consult |
| 0.002 lb | Consult | Consult |
| 0.001 lb | Consult | Consult |

Accessories

| Description | Part # | Price |
|-----------------------|--------|---------|
| Statement of Accuracy | 36092 | \$47.50 |
| Serial number | 25836 | \$17.00 |

STAINLESS STEEL / METRIC SETS

Range: 5 g and 50 g

Class 5

| Set Range | Part # | Price |
|-----------------|--------------|----------|
| 5 g - 1 mg | 12548 | \$210.00 |
| 50 g - 1 mg | 12504 | \$265.00 |
| 50 g - 10 mg | 12502 | \$245.00 |
| 50 g - 1 g | 12500 | \$200.00 |
| (2) 50 g - 1 mg | 12550 | \$385.00 |

Optional Certificate

| Accredited |
|------------|
| \$240.00 |
| \$475.00 |
| \$380.00 |
| \$190.00 |
| \$475.00 |

Weight Set Contents

| 5 g - 1 mg | 50 g - 1 mg | (2) 50 g - 1 mg | 50 g - 10 mg | 50 g - 1 g |
|--|--|---|---|---|
| 12548 | 12504 | 12550 | 12502 | 12500 |
| – | (1) 50 g | (2) 50 g | (1) 50 g | (1) 50 g |
| – | – | (1) 30 g | – | – |
| – | (2) 20 g | (1) 20 g | (2) 20 g | (2) 20 g |
| – | (1) 10 g | (1) 10 g | (1) 10 g | (1) 10 g |
| (1) 5 g | (1) 5 g | (1) 5 g | (1) 5 g | (1) 5 g |
| (1) 3 g | – | (1) 3 g | – | – |
| (1) 2 g | (2) 2 g | (1) 2 g | (2) 2 g | (2) 2 g |
| (1) 1 g | (1) 1 g | (1) 1 g | (1) 1 g | (1) 1 g |
| (1) 500 mg | (1) 500 mg | (1) 500 mg | (1) 500 mg | |
| (1) 300 mg | – | (1) 300 mg | – | |
| (1) 200 mg | (2) 200 mg | (1) 200 mg | (2) 200 mg | |
| (1) 100 mg | (1) 100 mg | (1) 100 mg | (1) 100 mg | |
| (1) 50 mg | (1) 50 mg | (1) 50 mg | (1) 50 mg | |
| (1) 30 mg | – | (1) 30 mg | – | |
| (1) 20 mg | (2) 20 mg | (1) 20 mg | (2) 20 mg | |
| (1) 10 mg | (1) 10 mg | (1) 10 mg | (1) 10 mg | |
| (1) 5 mg | (1) 5 mg | (1) 5 mg | | |
| (1) 3 mg | – | (1) 3 mg | | |
| (1) 2 mg | (2) 2 mg | (1) 2 mg | | |
| (1) 1 mg | (1) 1 mg | (1) 1 mg | | |
| 16 pcs. 12.221g set wt. | 20 pcs. 111.11g set wt. | 21 pcs. 172.221g set wt. | 16 pcs. 111.1g set wt. | 8 pcs. 110.000 g set wt. |



CALIBRATION WEIGHTS
STAINLESS FIELD

Replacement Cases

| Main Cases | | |
|-----------------|--------------|---------|
| Class 5 | | |
| Set Range | Part # | Price |
| 5 g - 1 mg | 11510 | \$39.50 |
| 50 g - 1 mg | 11512 | \$39.50 |
| 50 g - 10 mg | 11512 | \$39.50 |
| 50 g - 1 g | 11512 | \$39.50 |
| (2) 50 g - 1 mg | 11512 | \$39.50 |

Inserts

| Class 5 (leaf weight cover not included) | | |
|---|--------------|---------|
| Set Range | Part # | Price |
| 50 g - 1 mg | 11517 | \$39.50 |
| 50 g - 10 mg | 11517 | \$39.50 |
| 50 g - 1 g | 11516 | \$39.50 |

Accessories

| Description | Part # | Price |
|-----------------------|---------------|---------|
| Statement of Accuracy | 36092 | \$47.50 |
| Leaf weight cover | 11758 | \$45.50 |
| Tweezer | 65640 | \$22.25 |
| Serial number | 25836 | \$17.00 |
| Premium tweezer | 152414 | \$45.50 |

STAINLESS STEEL / METRIC SETS

Range: 100 g

Class 5

| Set Range | Part # | Price |
|---------------|--------------|----------|
| 100 g - 1 mg | 12510 | \$280.00 |
| 100 g - 10 mg | 12508 | \$270.00 |
| 100 g - 1 g | 12506 | \$245.00 |

Optional Certificate

| Accredited |
|------------|
| \$505.00 |
| \$395.00 |
| \$215.00 |

Weight Set Contents

| 100 g - 1 mg | 100 g - 10 mg | 100 g - 1 g |
|-----------------------------------|-----------------------------------|-----------------------------------|
| 12510 | 12508 | 12506 |
| (1) 100 g | (1) 100 g | (1) 100 g |
| (1) 50 g | (1) 50 g | (1) 50 g |
| (2) 20 g | (2) 20 g | (2) 20 g |
| (1) 10 g | (1) 10 g | (1) 10 g |
| (1) 5 g | (1) 5 g | (1) 5 g |
| (2) 2 g | (2) 2 g | (2) 2 g |
| (1) 1 g | (1) 1 g | (1) 1 g |
| (1) 500 mg | (1) 500 mg | |
| (2) 200 mg | (2) 200 mg | |
| (1) 100 mg | (1) 100 mg | |
| (1) 50 mg | (1) 50 mg | |
| (2) 20 mg | (2) 20 mg | |
| (1) 10 mg | (1) 10 mg | |
| (1) 5 mg | | |
| (2) 2 mg | | |
| (1) 1 mg | | |
| 21 pcs. 211.11g set wt. | 17 pcs. 211.19g set wt. | 9 pcs. 210.000g set wt. |

CALIBRATION WEIGHTS
STAINLESS FIELD



PN 12506 100 g to 1 g

Replacement Cases

| Main Cases | | |
|---------------|--------------|---------|
| Class 5 | | |
| Set Range | Part # | Price |
| 100 g - 1 mg | 11512 | \$39.50 |
| 100 g - 10 mg | 11512 | \$39.50 |
| 100 g - 1 g | 11512 | \$39.50 |

| Inserts | | |
|---|--------------|---------|
| Class 5 (leaf weight cover not included) | | |
| Set Range | Part # | Price |
| 100 g - 1 mg | 11519 | \$39.50 |
| 100 g - 10 mg | 11519 | \$39.50 |
| 100 g - 1 g | 11518 | \$39.50 |

Accessories

| Description | Part # | Price |
|-----------------------|---------------|---------|
| Statement of Accuracy | 36092 | \$47.50 |
| Leaf weight cover | 11758 | \$45.50 |
| Tweezer | 65640 | \$22.25 |
| Serial number | 25836 | \$17.00 |
| Premium tweezer | 152414 | \$45.50 |

STAINLESS STEEL / METRIC SETS

Range: 500 g

Class 5

| Set Range | Part # | Price |
|---------------|--------------|----------|
| 500 g - 1mg | 12516 | \$515.00 |
| 500 g - 10 mg | 12514 | \$465.00 |
| 500 g - 1g | 12512 | \$410.00 |

Optional Certificate

| Accredited |
|------------|
| \$605.00 |
| \$505.00 |
| \$310.00 |

Weight Set Contents

| 500 g - 1 mg | 500 g - 10 mg | 500 g - 1 g |
|--------------------------------------|-------------------------------------|------------------------------------|
| 12516 | 12514 | 12512 |
| (1) 500 g | (1) 500 g | (1) 500 g |
| (2) 200 g | (2) 200 g | (2) 200 g |
| (1) 100 g | (1) 100 g | (1) 100 g |
| (1) 50 g | (1) 50 g | (1) 50 g |
| (2) 20 g | (2) 20 g | (2) 20 g |
| (1) 10 g | (1) 10 g | (1) 10 g |
| (1) 5 g | (1) 5 g | (1) 5 g |
| (2) 2 g | (2) 2 g | (2) 2 g |
| (1) 1 g | (1) 1 g | (1) 1 g |
| (1) 500 mg | (1) 500 mg | |
| (2) 200 mg | (2) 200 mg | |
| (1) 100 mg | (1) 100 mg | |
| (1) 50 mg | (1) 50 mg | |
| (2) 20 mg | (2) 20 mg | |
| (1) 10 mg | (1) 10 mg | |
| (1) 5 mg | | |
| (2) 2 mg | | |
| (1) 1 mg | | |
| 24 pcs. 1.11111 kg set wt. | 20 pcs. 1.1111 kg set wt. | 12 pcs. 1.110 kg set wt. |



CALIBRATION WEIGHTS
STAINLESS FIELD

Replacement Cases

| Main Cases | | |
|---------------|--------------|---------|
| Class 5 | | |
| Set Range | Part # | Price |
| 500 g - 1mg | 11520 | \$77.00 |
| 500 g - 10 mg | 11520 | \$77.00 |
| 500 g - 1g | 11520 | \$77.00 |

| Secondary Leatherette Case | | |
|----------------------------|--------------|---------|
| Class 5 | | |
| Set Range | Part # | Price |
| 100 g - 1mg | 11512 | \$39.50 |
| 100 g - 10 mg | 11512 | \$39.50 |
| 100 g - 1g | 11512 | \$39.50 |

| Inserts for Secondary Case | | |
|---|--------------|---------|
| Class 5 (leaf weight cover not included) | | |
| Set Range | Part # | Price |
| 100 g - 1mg | 11519 | \$39.50 |
| 100 g - 10 mg | 11519 | \$39.50 |
| 100 g - 1g | 11518 | \$39.50 |

Accessories

| Description | Part # | Price |
|-----------------------|---------------|---------|
| Statement of Accuracy | 36092 | \$47.50 |
| Leaf weight cover | 11758 | \$45.50 |
| Tweezer | 65640 | \$22.25 |
| Serial number | 25836 | \$17.00 |
| Premium tweezer | 152414 | \$45.50 |

STAINLESS STEEL / METRIC SETS

Range: 1 kg

Class 5

| Set Range | Part # | Price |
|--------------|--------------|----------|
| 1 kg - 1 mg | 12522 | \$575.00 |
| 1 kg - 10 mg | 12520 | \$565.00 |
| 1 kg - 1 g | 12518 | \$525.00 |

Optional Certificate

| Accredited |
|------------|
| \$630.00 |
| \$540.00 |
| \$350.00 |

Weight Set Contents

| 1 kg - 1 mg | 1 kg - 10 mg | 1 kg - 1 g |
|--------------------------------------|-------------------------------------|-----------------------------------|
| 12522 | 12520 | 12518 |
| (1) 1kg | (1) 1kg | (1) 1kg |
| (1) 500 g | (1) 500 g | (1) 500 g |
| (2) 200 g | (2) 200 g | (2) 200 g |
| (1) 100 g | (1) 100 g | (1) 100 g |
| (1) 50 g | (1) 50 g | (1) 50 g |
| (2) 20 g | (2) 20 g | (2) 20 g |
| (1) 10 g | (1) 10 g | (1) 10 g |
| (1) 5 g | (1) 5 g | (1) 5 g |
| (2) 2 g | (2) 2 g | (2) 2 g |
| (1) 1 g | (1) 1 g | (1) 1 g |
| (1) 500 mg | (1) 500 mg | |
| (2) 200 mg | (2) 200 mg | |
| (1) 100 mg | (1) 100 mg | |
| (1) 50 mg | (1) 50 mg | |
| (2) 20 mg | (2) 20 mg | |
| (1) 10 mg | (1) 10 mg | |
| (1) 5 mg | | |
| (2) 2 mg | | |
| (1) 1 mg | | |
| 25 pcs. 2.11111 kg set wt. | 21 pcs. 2.1111 kg set wt. | 13 pcs. 2.11 kg set wt. |

CALIBRATION WEIGHTS
STAINLESS FIELD



PN 12518 1 kg to 1 g

Replacement Cases

| Main Cases | | |
|--------------|--------------|---------|
| Class 5 | | |
| Set Range | Part # | Price |
| 1 kg - 1 mg | 11521 | \$77.00 |
| 1 kg - 10 mg | 11521 | \$77.00 |
| 1 kg - 1 g | 11521 | \$77.00 |

| Secondary Leatherette Case | | |
|----------------------------|--------------|---------|
| Class 5 | | |
| Set Range | Part # | Price |
| 100 g - 1 mg | 11512 | \$39.50 |
| 100 g - 10 mg | 11512 | \$39.50 |
| 100 g - 1 g | 11512 | \$39.50 |

| Inserts | | |
|---|--------------|---------|
| Class 5 (leaf weight cover not included) | | |
| Set Range | Part # | Price |
| 100 g - 1 mg | 11519 | \$39.50 |
| 100 g - 10 mg | 11519 | \$39.50 |
| 100 g - 1 g | 11518 | \$39.50 |

Accessories

| Description | Part # | Price |
|-----------------------|---------------|---------|
| Statement of Accuracy | 36092 | \$47.50 |
| Leaf weight cover | 11758 | \$45.50 |
| Tweezer | 65640 | \$22.25 |
| Serial number | 25836 | \$17.00 |
| Premium tweezer | 152414 | \$45.50 |

STAINLESS STEEL / METRIC SETS

Range: 2 kg

Class 5

| Set Range | Part # | Price |
|------------------|--------------|------------|
| 2 kg - 1 mg | 12528 | \$695.00 |
| (5) 2 kg - 1 mg | 12534 | \$1,100.00 |
| 2 kg - 10 mg | 12526 | \$660.00 |
| (5) 2 kg - 10 mg | 12532 | \$1,100.00 |
| 2 kg - 1 g | 12524 | \$610.00 |
| (5) 2 kg - 1 g | 12530 | \$1,020.00 |

Optional Certificate

| Accredited |
|------------|
| \$640.00 |
| \$818.00 |
| \$590.00 |
| \$730.00 |
| \$395.00 |
| \$565.00 |

Weight Set Contents

| 2 kg - 1 mg | (5) 2 kg - 1 mg | 2 kg - 10 mg | (5) 2 kg - 10 mg | 2 kg - 1 g | (5) 2 kg - 1 g |
|---------------------------|----------------------------|--------------------------|---------------------------|-------------------------|-------------------------|
| 12528 | 12534 | 12526 | 12532 | 12524 | 12530 |
| (1) 2 kg | (5) 2 kg | (1) 2 kg | (5) 2 kg | (1) 2 kg | (5) 2 kg |
| (1) 1kg | - | (1) 1kg | - | (1) 1kg | - |
| (1) 500 g | (5) 500 g | (1) 500 g | (5) 500 g | (1) 500 g | (5) 500 g |
| (2) 200 g | (2) 200 g | (2) 200 g | (2) 200 g | (2) 200 g | (2) 200 g |
| (1) 100 g | (1) 100 g | (1) 100 g | (1) 100 g | (1) 100 g | (1) 100 g |
| (1) 50 g | (1) 50 g | (1) 50 g | (1) 50 g | (1) 50 g | (1) 50 g |
| (2) 20 g | (2) 20 g | (2) 20 g | (2) 20 g | (2) 20 g | (2) 20 g |
| (1) 10 g | (1) 10 g | (1) 10 g | (1) 10 g | (1) 10 g | (1) 10 g |
| (1) 5 g | (1) 5 g | (1) 5 g | (1) 5 g | (1) 5 g | (1) 5 g |
| (2) 2 g | (2) 2 g | (2) 2 g | (2) 2 g | (2) 2 g | (2) 2 g |
| (1) 1g | (1) 1g | (1) 1g | (1) 1g | (1) 1g | (1) 1g |
| (1) 500 mg | (1) 500 mg | (1) 500 mg | (1) 500 mg | | |
| (2) 200 mg | (2) 200 mg | (2) 200 mg | (2) 200 mg | | |
| (1) 100 mg | (1) 100 mg | (1) 100 mg | (1) 100 mg | | |
| (1) 50 mg | (1) 50 mg | (1) 50 mg | (1) 50 mg | | |
| (2) 20 mg | (2) 20 mg | (2) 20 mg | (2) 20 mg | | |
| (1) 10 mg | (1) 10 mg | (1) 10 mg | (1) 10 mg | | |
| (1) 5 mg | (1) 5 mg | | | | |
| (2) 2 mg | (2) 2 mg | | | | |
| (1) 1mg | (1) 1mg | | | | |
| 26 pc | 33 pc | 22 pc | 29 pc | 14 pc | 21 pc |
| 4.11111 kg set wt. | 13.11111 kg set wt. | 4.1111 kg set wt. | 13.1111 kg set wt. | 4.110 kg set wt. | 13.11 kg set wt. |



PN 12528 2 kg to 1 mg

CALIBRATION WEIGHTS
STAINLESS FIELD

Replacement Cases

| Main Cases | | |
|------------------|--------------|----------|
| Class 5 | | |
| Set Range | Part # | Price |
| 2 kg - 1 mg | 11522 | \$190.00 |
| (5) 2 kg - 1 mg | 11523 | \$265.00 |
| 2 kg - 10 mg | 11522 | \$190.00 |
| (5) 2 kg - 10 mg | 11523 | \$265.00 |
| 2 kg - 1g | 11522 | \$190.00 |
| (5) 2 kg - 1g | 11523 | \$265.00 |

| Secondary Leatherette Case | | |
|----------------------------|--------------|---------|
| Class 5 | | |
| Set Range | Part # | Price |
| 100 g - 1 mg | 11512 | \$39.50 |
| 100 g - 10 mg | 11512 | \$39.50 |
| 100 g - 1 g | 11512 | \$39.50 |

| Inserts | | |
|---|--------------|---------|
| Class 5 (leaf weight cover not included) | | |
| Set Range | Part # | Price |
| 100 g - 1 mg | 11519 | \$39.50 |
| 100 g - 10 mg | 11519 | \$39.50 |
| 100 g - 1 g | 11518 | \$39.50 |

Accessories

| Description | Part # | Price |
|-----------------------|---------------|---------|
| Statement of Accuracy | 36092 | \$47.50 |
| Leaf weight cover | 11758 | \$45.50 |
| Tweezer | 65640 | \$22.25 |
| Serial number | 25836 | \$17.00 |
| Premium tweezer | 152414 | \$45.50 |

STAINLESS STEEL / METRIC SETS

Range: 5 kg

Class 5

| Set Range | Part # | Price |
|------------------|--------------|------------|
| 5 kg - 1 mg | 12537 | \$935.00 |
| (2) 5 kg - 1 mg | 12542 | \$1,390.00 |
| 5 kg - 10 mg | 12536 | \$870.00 |
| (2) 5 kg - 10 mg | 12539 | \$1,220.00 |
| 5 kg - 1 g | 12535 | \$825.00 |
| (2) 5 kg - 1 g | 12538 | \$1,190.00 |
| (3) 5 kg | 12562 | \$1,050.00 |

Optional Certificate

| Accredited |
|------------|
| \$780.00 |
| \$800.00 |
| \$680.00 |
| \$710.00 |
| \$490.00 |
| \$520.00 |
| \$220.00 |

Weight Set Contents

| 5 kg - 1 mg | (2) 5 kg - 1 mg | 5 kg - 10 mg | (2) 5 kg - 10 mg | 5 kg - 1 g | (2) 5 kg - 1 g | (3) 5 kg |
|------------------------------------|------------------------------------|-------------------------------------|--------------------------------------|------------------------------------|-------------------------------------|--------------------------------|
| 12537 | 12542 | 12536 | 12539 | 12535 | 12538 | 12562 |
| (1) 5 kg | (2) 5 kg | (1) 5 kg | (2) 5 kg | (1) 5 kg | (2) 5 kg | (3) 5 kg |
| (2) 2 kg | (2) 2 kg | (2) 2 kg | (2) 2 kg | (2) 2 kg | (2) 2 kg | |
| (1) 1 kg | (1) 1 kg | (1) 1 kg | (1) 1 kg | (1) 1 kg | (1) 1 kg | |
| (1) 500 g | (5) 500 g | (1) 500 g | (5) 500 g | (1) 500 g | (5) 500 g | |
| (2) 200 g | (2) 200 g | (2) 200 g | (2) 200 g | (2) 200 g | (2) 200 g | |
| (1) 100 g | (1) 100 g | (1) 100 g | (1) 100 g | (1) 100 g | (1) 100 g | |
| (1) 50 g | (1) 50 g | (1) 50 g | (1) 50 g | (1) 50 g | (1) 50 g | |
| (2) 20 g | (2) 20 g | (2) 20 g | (2) 20 g | (2) 20 g | (2) 20 g | |
| (1) 10 g | (1) 10 g | (1) 10 g | (1) 10 g | (1) 10 g | (1) 10 g | |
| (1) 5 g | (1) 5 g | (1) 5 g | (1) 5 g | (1) 5 g | (1) 5 g | |
| (2) 2 g | (2) 2 g | (2) 2 g | (2) 2 g | (2) 2 g | (2) 2 g | |
| (1) 1 g | (1) 1 g | (1) 1 g | (1) 1 g | (1) 1 g | (1) 1 g | |
| (1) 500 mg | (1) 500 mg | (1) 500 mg | (1) 500 mg | | | |
| (2) 200 mg | (2) 200 mg | (2) 200 mg | (2) 200 mg | | | |
| (1) 100 mg | (1) 100 mg | (1) 100 mg | (1) 100 mg | | | |
| (1) 50 mg | (1) 50 mg | (1) 50 mg | (1) 50 mg | | | |
| (2) 20 mg | (2) 20 mg | (2) 20 mg | (2) 20 mg | | | |
| (1) 10 mg | (1) 10 mg | (1) 10 mg | (1) 10 mg | | | |
| (1) 5 mg | (1) 5 mg | | | | | |
| (2) 2 mg | (2) 2 mg | | | | | |
| (1) 1 mg | (1) 1 mg | | | | | |
| 28 pcs. 11.11 kg set wt. | 33 pcs. 18.11 kg set wt. | 24 pcs. 11.111 kg set wt. | 29 pcs. 18.1111 kg set wt. | 16 pcs. 11.11 kg set wt. | 21 pcs. 18.110 kg set wt. | 3 pcs. 15 kg set wt. |

CALIBRATION WEIGHTS
STAINLESS FIELD



PN 12542 (2) 5 kg to 1 mg

Replacement Cases

| Main Cases | | |
|------------------|--------------|----------|
| Class 5 | | |
| Set Range | Part # | Price |
| 5 kg - 1 mg | 11524 | \$265.00 |
| (2) 5 kg - 1 mg | 11525 | \$265.00 |
| 5 kg - 10 mg | 11524 | \$265.00 |
| (2) 5 kg - 10 mg | 11525 | \$265.00 |
| 5 kg - 1 g | 11524 | \$265.00 |
| (2) 5 kg - 1 g | 11525 | \$265.00 |
| (3) 5 kg | 11558 | \$265.00 |

| Secondary Leatherette Case | | |
|----------------------------|--------------|---------|
| Class 5 | | |
| Set Range | Part # | Price |
| 100 g - 1 mg | 11512 | \$39.50 |
| 100 g - 10 mg | 11512 | \$39.50 |
| 100 g - 1 g | 11512 | \$39.50 |

| Inserts | | |
|---|--------------|---------|
| Class 5 (leaf weight cover not included) | | |
| Set Range | Part # | Price |
| 100 g - 1 mg | 11519 | \$39.50 |
| 100 g - 10 mg | 11519 | \$39.50 |
| 100 g - 1 g | 11518 | \$39.50 |

Accessories

| Description | Part # | Price |
|-----------------------|---------------|---------|
| Statement of Accuracy | 36092 | \$47.50 |
| Leaf weight cover | 11758 | \$45.50 |
| Tweezer | 65640 | \$22.25 |
| Serial number | 25836 | \$17.00 |
| Premium tweezer | 152414 | \$45.50 |

STAINLESS STEEL / AVOIRDUPOIS SET

Range: 4 oz

Class 5

| Set Range | Part # | Price | Optional Certificate Accredited |
|-------------------|--------------|----------|------------------------------------|
| 4 oz - 1/32 oz | 12623 | \$230.00 | \$215.00 |
| 4 oz - 0.05 oz | 12625 | \$250.00 | \$195.00 |
| 0.2 lb - 0.001 lb | 12576 | \$240.00 | \$260.00 |
| 0.3 lb - 0.001 lb | 12654 | \$535.00 | \$260.00 |

Weight Set Contents

| 4 oz - 1/32 oz 12623 | 4 oz - 0.05 oz 12625 | 0.2 lb - 0.001 lb 12576 | 0.3 lb - 0.001 lb 12654 |
|----------------------------------|--|------------------------------------|-------------------------------------|
| (1) 4 oz | (1) 4 oz | – | (1) 0.3 lb |
| (1) 2 oz | (1) 2 oz | (2) 0.2 lb | (1) 0.2 lb |
| (1) 1 oz | (1) 1 oz | (1) 0.1 lb | (1) 0.1 lb |
| (1) 1/2 oz | (1) 0.5 oz | (1) 0.05 lb | (1) 0.05 lb |
| (1) 1/4 oz | (1) 0.2 oz | – | (1) 0.03 lb |
| (1) 1/8 oz | (1) 0.1 oz | (2) 0.02 lb | (1) 0.02 lb |
| (1) 1/16 oz | (1) 0.05 oz | (1) 0.01 lb | (1) 0.01 lb |
| (2) 1/32 oz | | (1) 0.005 lb | (1) 0.005 lb |
| | | – | (1) 0.003 lb |
| | | (2) 0.002 lb | (1) 0.002 lb |
| | | (1) 0.001 lb | (1) 0.001 lb |
| 9 pcs. 1/2 lb set wt. | 8 pcs. 1 lb 0.05 oz set wt. | 11 pcs. 0.61 lb set wt. | 11 pcs. 0.722 lb set wt. |



PN 12623 4 oz to 1/32 oz

CALIBRATION WEIGHTS
STAINLESS FIELD

Replacement Cases

| Main Cases | | |
|-------------------|---------------|---------|
| Class 5 | | |
| Set Size | Part # | Price |
| 4 oz - 1/32 oz | 11510 | \$39.50 |
| 4 oz - 0.05 oz | 11510 | \$39.50 |
| 0.2 lb - 0.001 lb | 11512 | \$39.50 |
| 0.3 lb - 0.001 lb | 200180 | \$42.00 |

| Inserts | | |
|-------------------|---------------|---------|
| Class 5 | | |
| Size | Part # | Price |
| 4 oz - 1/32 oz | 11552 | \$28.00 |
| 4 oz - 0.05 oz | 11553 | \$28.00 |
| 0.2 oz - 0.001 lb | 200160 | \$42.00 |

Accessories

| Description | Part # | Price |
|-----------------------|--------------|---------|
| Statement of Accuracy | 36092 | \$47.50 |
| Serial number | 25836 | \$17.00 |

STAINLESS STEEL / AVOIRDUPOIS SET

Range: 1 lb

Class 5

| Set Range | Part # | Price | Optional Certificate Accredited |
|------------------------------|--------------|----------|---------------------------------|
| 1 lb - 1/32 oz (fractional) | 12591 | \$365.00 | \$280.00 |
| 1 lb - 0.001 lb (decimal) | 12593 | \$430.00 | \$330.00 |
| 1 lb - 0.05 oz (combination) | 12595 | \$390.00 | \$255.00 |

Weight Set Contents

| 1 lb - 1/32 oz | 1 lb - 0.001 lb | 1 lb - 0.05 oz |
|--------------------------------|-------------------------------------|---------------------------------------|
| 12591 | 12593 | 12595 |
| (1) 1 lb | (1) 1 lb | (1) 1 lb |
| (1) 8 oz | (1) 0.5 lb | (1) 8 oz |
| (1) 4 oz | (2) 0.2 lb | (1) 4 oz |
| (1) 2 oz | (1) 0.1 lb | (1) 2 oz |
| (1) 1 oz | (1) 0.05 lb | (1) 1 oz |
| (1) 1/2 oz | (2) 0.02 lb | (1) 0.5 oz |
| (1) 1/4 oz | (1) 0.01 lb | (2) 0.2 oz |
| (1) 1/8 oz | (1) 0.005 lb | (1) 0.1 oz |
| (1) 1/16 oz | (2) 0.002 lb | (1) 0.05 oz |
| (2) 1/32 oz | (1) 0.001 lb | |
| 11 pcs. 2 lb set wt. | 13 pcs. 2.1110 lb set wt. | 10 pcs. 1.990625 lb set wt. |

CALIBRATION WEIGHTS
STAINLESS FIELD



PN 12591 1 lb to 1/32 oz

Replacement Cases

| Main Cases | | |
|------------------------------|--------------|---------|
| Class 5 | | |
| Set Range | Part # | Price |
| 1 lb - 1/32 oz (fractional) | 11544 | \$83.00 |
| 1 lb - 0.001 lb (decimal) | 11544 | \$83.00 |
| 1 lb - 0.05 oz (combination) | 11544 | \$83.00 |

| Secondary Leatherette Cases | | |
|-----------------------------|--------------|---------|
| Class 5 | | |
| Set Range | Part # | Price |
| 1 lb - 1/32 oz | 11510 | \$39.50 |
| 1 lb - 0.001 lb | 11512 | \$39.50 |
| 1 lb - 0.05 oz | 11510 | \$39.50 |

| Inserts | | |
|-----------------|---------------|---------|
| Class 5 | | |
| Set Range | Part # | Price |
| 1 lb - 1/32 oz | 11552 | \$28.00 |
| 1 lb - 0.001 lb | 11553 | \$28.00 |
| 1 lb - 0.05 oz | 200160 | \$42.00 |

Accessories

| Description | Part # | Price |
|-----------------------|--------------|---------|
| Statement of Accuracy | 36092 | \$47.50 |
| Serial number | 25836 | \$17.00 |

STAINLESS STEEL / AVOIRDUPOIS SET

Range: 2 lb

Class 5

| Set Size | Part # | Price |
|---------------------------------|--------------|----------|
| 2 lb - 1/32 oz (fractional) | 12597 | \$480.00 |
| (2) 2 lb - 1/32 oz (fractional) | 12603 | \$620.00 |
| 2 lb - 0.001 lb (decimal) | 12599 | \$495.00 |
| (2) 2 lb - 0.001 lb (decimal) | 12605 | \$620.00 |
| 2 lb - 0.05 oz (decimal) | 12601 | \$525.00 |
| (2) 2 lb - 0.05 oz (decimal) | 12607 | \$620.00 |

Optional Certificate

| Accredited |
|------------|
| \$325.00 |
| \$365.00 |
| \$365.00 |
| \$415.00 |
| \$270.00 |
| \$310.00 |

Weight Set Contents

| 2 lb - 1/32 oz | (2) 2 lb - 1/32 oz | 2 lb - 0.001 lb | (2) 2 lb - 0.001 lb | 2 lb - 0.05 oz | (2) 2 lb - 0.05 oz |
|--------------------------------|--------------------------------|------------------------------------|-------------------------------------|-------------------------------------|--|
| 12597 | 12603 | 12599 | 12605 | 12601 | 12607 |
| (1) 2 lb | (2) 2 lb | (1) 2 lb | (2) 2 lb | (1) 2 lb | (2) 2 lb |
| (1) 1 lb | (1) 1 lb | (1) 1 lb | (1) 1 lb | (1) 1 lb | (1) 1 lb |
| (1) 8 oz | (1) 8 oz | (1) 0.5 lb | (1) 0.5 lb | (1) 8 oz | (1) 8 oz |
| (1) 4 oz | (1) 4 oz | (2) 0.2 lb | (2) 0.2 lb | (1) 4 oz | (1) 4 oz |
| (1) 2 oz | (1) 2 oz | (1) 0.1 lb | (1) 0.1 lb | (1) 2 oz | (1) 2 oz |
| (1) 1 oz | (1) 1 oz | (1) 0.05 lb | (1) 0.05 lb | (1) 1 oz | (1) 1 oz |
| (1) 1/2 oz | (1) 1/2 oz | (2) 0.02 lb | (2) 0.02 lb | (1) 0.5 oz | (1) 0.5 oz |
| (1) 1/4 oz | (1) 1/4 oz | (1) 0.01 lb | (1) 0.01 lb | (2) 0.2 oz | (2) 0.2 oz |
| (1) 1/8 oz | (1) 1/8 oz | (1) 0.005 lb | (1) 0.005 lb | (1) 0.1 oz | (1) 0.1 oz |
| (1) 1/16 oz | (1) 1/16 oz | (2) 0.002 lb | (2) 0.002 lb | (1) 0.05 oz | (1) 0.05 oz |
| (2) 1/32 oz | (2) 1/32 oz | (1) 0.001 lb | (1) 0.001 lb | | |
| 12 pcs. 4 lb set wt. | 13 pcs. 6 lb set wt. | 14 pcs. 4.108 lb set wt. | 15 pcs. 6.1100 lb set wt. | 11 pcs. 4.7875 lb set wt. | 12 pcs. 6 lb 0.05 oz set wt. |

CALIBRATION WEIGHTS
STAINLESS FIELD



PN 12599 2 lb - 0.001 lb

Replacement Cases

| Main Cases | | |
|---------------------------------|--------------|---------|
| Class 5 | | |
| Set Size | Part # | Price |
| 2 lb - 1/32 oz (fractional) | 11547 | \$83.00 |
| (2) 2 lb - 1/32 oz (fractional) | 11548 | \$83.00 |
| 2 lb - 0.001 lb (decimal) | 11547 | \$83.00 |
| (2) 2 lb - 0.001 lb (decimal) | 11548 | \$83.00 |
| 2 lb - 0.05 oz (decimal) | 11547 | \$83.00 |
| (2) 2 lb - 0.05 oz (decimal) | 11548 | \$83.00 |

| Secondary Leatherette Cases | | |
|-----------------------------|--------------|---------|
| Class 5 | | |
| Size | Part # | Price |
| 4 oz - 1/32 oz | 11510 | \$39.50 |
| 0.2 lb - 0.001 lb | 11512 | \$39.50 |
| 4 oz - 0.05 oz | 11510 | \$39.50 |

| Inserts | | |
|-----------------|---------------|---------|
| Class 5 | | |
| Size | Part # | Price |
| 2 lb - 1/32 oz | 11552 | \$28.00 |
| 2 lb - 0.001 lb | 11553 | \$28.00 |
| 2 lb - 0.05 oz | 200160 | \$42.00 |

Accessories

| Description | Part # | Price |
|-----------------------|--------------|---------|
| Statement of Accuracy | 36092 | \$47.50 |
| Serial number | 25836 | \$17.00 |

STAINLESS STEEL / AVOIRDUPOIS SET

Range: 5 lb

**CALIBRATION WEIGHTS
STAINLESS FIELD**

Class 5

| Set Range | Part # | Price |
|--|--------------|------------|
| 5 lb - 1/32 oz | 12615 | \$610.00 |
| (5) 5 lb - 1/32 oz | 12579 | \$1,250.00 |
| 5 lb - 0.001lb | 12617 | \$615.00 |
| (5) 5 lb - 0.001lb (combination) | 12582 | \$1,290.00 |
| (5) 5 lb - 0.001lb | 12634 | \$1,290.00 |
| 5 lb - 0.05 oz (combination) | 12619 | \$630.00 |
| (5) 5 lb - 0.05 oz (combination) | 12636 | \$1,210.00 |
| (3) 5 lb - 1 gr (21lb fractional U.S. Postal Service) | 12627 | \$1,280.00 |
| (5) 5 lb - 1 gr (31lb 55 gr) | 12661 | \$1,460.00 |
| 5 lb x (6) (30 lb) | 12640 | \$1,130.00 |

Optional Certificate

| Accredited |
|------------|
| \$410.00 |
| \$700.00 |
| \$460.00 |
| \$755.00 |
| \$755.00 |
| \$385.00 |
| \$650.00 |
| \$790.00 |
| \$920.00 |
| \$470.00 |

Weight Set Contents

| 5 lb - 1/32 oz | (5) 5 lb - 1/32 oz | 5 lb - 0.001 lb | (5) 5 lb - 0.001 lb | (5) 5 lb - 0.001 lb | 5 lb - 0.05 oz | (5) 5 lb - 0.05 oz |
|---------------------------------|---------------------------------|-----------------------------------|-----------------------------------|-----------------------------------|---|---|
| 12615 | 12579 | 12617 | 12582 | 12634 | 12619 | 12636 |
| (1) 5 lb | (5) 5 lb | (1) 5 lb | (5) 5 lb | (5) 5 lb | (1) 5 lb | (5) 5 lb |
| (2) 2 lb | - | (2) 2 lb | - | - | (2) 2 lb | - |
| (1) 1lb | (5) 1lb | (1) 1lb | (5) 1lb | (5) 1lb | (1) 1lb | (5) 1lb |
| (1) 8 oz | (1) 8 oz | (1) 0.5 lb | (1) 8 oz | (1) 0.5 lb | (1) 8 oz | (1) 8 oz |
| (1) 4 oz | (1) 4 oz | (2) 0.2 lb | (1) 4 oz | (2) 0.2 lb | (1) 4 oz | (1) 4 oz |
| (1) 2 oz | (1) 2 oz | (1) 0.1lb | (2) 0.2 lb | (1) 0.1lb | (1) 2 oz | (1) 2 oz |
| (1) 1oz | (1) 1oz | (1) 0.05 lb | (1) 2 oz | (1) 0.05 lb | (1) 1oz | (1) 1oz |
| (1) 1/2 oz | (1) 1/2 oz | (2) 0.02 lb | (1) 0.1lb | (2) 0.02 lb | (1) 0.5 oz | (1) 0.5 oz |
| (1) 1/4 oz | (1) 1/4 oz | (1) 0.01lb | (1) 1oz | (1) 0.01lb | (2) 0.2 oz | (2) 0.2 oz |
| (1) 1/8 oz | (1) 1/8 oz | (1) 0.005 lb | (1) 0.05 lb | (1) 0.005 lb | (1) 0.1oz | (1) 0.1oz |
| (1) 1/16 oz | (1) 1/16 oz | (2) 0.002 lb | (1) 1/2 oz | (2) 0.002 lb | (1) 0.05 oz | (1) 0.05 oz |
| (2) 1/32 oz | (2) 1/32 oz | (1) 0.001lb | (2) 0.02 lb | (1) 0.001lb | | |
| | | | (1) 1/4 oz | | | |
| | | | (1) 0.01lb | | | |
| | | | (1) 1/8 oz | | | |
| | | | (1) 0.005 lb | | | |
| | | | (1) 1/16 oz | | | |
| | | | (2) 0.002 lb | | | |
| | | | (2) 1/32 oz | | | |
| | | | (1) 0.001 lb | | | |
| 14 pcs. 11lb set wt. | 20 pcs. 31lb set wt. | 16 pcs. 11.1lb set wt. | 31 pcs. 31.6lb set wt. | 22 pcs. 31.1lb set wt. | 13 pcs. 11lb 0.05 oz set wt. | 19 pcs. 31lb 0.05 oz set wt. |

Replacement Cases

| Main Cases | | |
|--|--------------|----------|
| Class 5 | | |
| Set Range | Part # | Price |
| 5 lb - 1/32 oz | 11550 | \$260.00 |
| (5) 5 lb - 1/32 oz | 11542 | \$260.00 |
| 5 lb - 0.001lb | 11550 | \$260.00 |
| (5) 5 lb - 0.001lb (combination) | 11542 | \$260.00 |
| (5) 5 lb - 0.001lb | 11542 | \$260.00 |
| 5 lb - 0.05 oz (combination) | 11550 | \$260.00 |
| 5 lb - 0.05 oz (combination) | 11542 | \$260.00 |
| (3) 5 lb - 1 gr (21 lb fractional U.S. Postal Service) | 11554 | \$260.00 |

| Main Cases | | |
|-------------------------------|--------------|----------|
| Class 5 | | |
| Set Range | Part # | Price |
| (5) 5 lb - 1 gr (31 lb 55 gr) | 11570 | \$260.00 |
| 5 lb x (6) (30 lb) | 11559 | \$260.00 |

| Secondary Leatherette Cases | | |
|-----------------------------|--------------|---------|
| Class 5 | | |
| Set Range | Part # | Price |
| 5 lb - 1/32 oz | 11510 | \$39.50 |
| (5) 5 lb - 1/32 oz | 11510 | \$39.50 |
| 5 lb - 0.001lb | 11512 | \$39.50 |

| Secondary Leatherette Cases | | |
|----------------------------------|------------------------|---------|
| Class 5 | | |
| Set Range | Part # | Price |
| (5) 5 lb - 0.001lb (combination) | 11510 and 11512 | \$39.50 |
| (5) 5 lb - 0.001lb | 11512 | \$39.50 |
| 5 lb - 0.05 oz | 11510 | \$39.50 |
| (5) 5 lb - 0.05 oz | 11510 | \$39.50 |
| (3) 5 lb - 1gr | 11510 | \$39.50 |

STAINLESS STEEL / AVOIRDUPOIS SET

Range: 5 lb



PN 12582 5 lb to 0.001 lb

**CALIBRATION WEIGHTS
STAINLESS FIELD**

| (3) 5 lb - 1 gr | (5) 5 lb - 1 gr | (6) 5 lb |
|--------------------------------------|--------------------------------------|--------------------------------|
| 12627 | 12661 | 12640 |
| (3) 5 lb | (5) 5 lb | (6) 5 lb |
| (5) 1 lb | (5) 1 lb | |
| (1) 8 oz | (1) 8 oz | |
| (1) 4 oz | (1) 4 oz | |
| (1) 2 oz | (1) 2 oz | |
| (1) 1 oz | (1) 1 oz | |
| (1) 1/2 oz | (1) 1/2 oz | |
| (1) 1/4 oz | (1) 1/4 oz | |
| (1) 1/8 oz | (1) 1/8 oz | |
| (1) 1/16 oz | (1) 1/16 oz | |
| (2) 1/32 oz | (2) 1/32 oz | |
| (2) 10 gr | (1) 20 gr | |
| (2) 5 gr | (2) 10 gr | |
| (2) 2 gr | (2) 5 gr | |
| (1) 1 gr | (2) 2 gr | |
| | (1) 1 gr | |
| 25 pcs. 21lb 55gr set wt. | 28 pcs. 31lb 55gr set wt. | 6 pcs. 30lb set wt. |

Accessories

| Inserts | | |
|----------------------------------|---------------|---------|
| Class 5 | | |
| Size | Part # | Price |
| 5 lb - 1/32 oz | 11552 | \$28.00 |
| (5) 5 lb - 1/32 oz | 11552 | \$28.00 |
| 5 lb - 0.001lb | 200160 | \$42.00 |
| (5) 5 lb - 0.001lb (combination) | 200160 | \$42.00 |
| (5) 5 lb - 0.001lb | 200160 | \$42.00 |
| 5 lb - 0.05 oz | 11553 | \$28.00 |
| (5) 5 lb - 0.05 oz | 11553 | \$28.00 |
| (3) 5 lb - 1gr | 11552 | \$28.00 |

| Description | Part # | Price |
|-----------------------|--------------|---------|
| Statement of Accuracy | 36092 | \$47.50 |
| Serial number | 25836 | \$17.00 |

STAINLESS STEEL / AVOIRDUPOIS SET

Range: 10 lb

**CALIBRATION WEIGHTS
STAINLESS FIELD**

Class 5

Optional Certificate

| Set Range | Part # | Price | Accredited |
|---------------------------------------|--------------|------------|------------|
| (3) 10 lb | 12638 | \$975.00 | \$235.00 |
| 10 lb - 1/32 oz | 12609 | \$890.00 | \$465.00 |
| 10 lb - 0.001lb | 12611 | \$875.00 | \$510.00 |
| 10 lb - 0.05 oz (21lb x 0.05 oz) | 12613 | \$945.00 | \$415.00 |
| 10 lb - 1/4 oz | 12573 | \$1,380.00 | \$475.00 |
| 10 lb - 1/32 oz | 12642 | \$1,280.00 | \$465.00 |
| 10 lb - 0.001lb | 12588 | \$1,530.00 | \$780.00 |
| 10 lb - 0.001lb | 12644 | \$1,210.00 | \$510.00 |
| 10 lb - 0.001lb (combination) | 12648 | \$1,440.00 | \$555.00 |
| 10 lb - 0.05 oz (combination) | 12646 | \$1,370.00 | \$415.00 |
| 10 lb - 1/32 oz | 12628 | \$1,650.00 | \$755.00 |
| 10 lb - 0.001lb | 12621 | \$1,810.00 | \$800.00 |
| 10 lb - 0.05 oz (combination) | 12632 | \$1,840.00 | \$725.00 |
| 10 lb - 0.001lb (51.61lb combination) | 12650 | \$1,860.00 | \$800.00 |

Weight Set Contents

| (3) 10 lb | 10 lb - 1/32 oz | 10 lb - 0.001 lb | 10 lb - 0.05 oz | 10 lb - 1/4 oz | 10 lb - 1/32 oz | 10 lb - 0.001 lb | 10 lb - 0.001 lb | 10 lb - 0.001 lb |
|-------------------------|---|--|--|---|---|--|--|--|
| 12638 | 12609 | 12611 | 12613 | 12573 | 12642 | 12588 | 12644 | 12648 |
| (3) 10 lb | (1) 10 lb (1) 5 lb (2) 2 lb (1) 1 lb (1) 8 oz (1) 4 oz (1) 2 oz (1) 1 oz (1) 1/2 oz (1) 1/4 oz (1) 1/8 oz (1) 1/16 oz (2) 1/32 oz | (1) 10 lb (1) 5 lb (2) 2 lb (1) 1 lb (1) 0.5 lb (2) 0.2 lb (1) 0.1 lb (1) 0.05 lb (2) 0.02 lb (1) 0.01 lb (1) 0.005 lb (2) 0.002 lb (1) 0.001 lb | (1) 10 lb (1) 5 lb (2) 2 lb (1) 1 lb (1) 8 oz (1) 4 oz (1) 2 oz (1) 1 oz (1) 0.5 oz (1) 0.2 oz (1) 0.1 oz (1) 0.05 oz | (2) 10 lb (1) 5 lb (5) 1 lb (3) 4 oz (3) 1 oz (2) 1/2 oz (2) 1/4 oz | (2) 10 lb (1) 5 lb (2) 2 lb (1) 1 lb (1) 8 oz (1) 4 oz (1) 2 oz (1) 1 oz (1) 1/2 oz (1) 1/4 oz (1) 1/8 oz (1) 1/16 oz (2) 1/32 oz | (2) 10 lb (1) 5 lb (5) 1 lb (3) 4 oz (2) 0.2 lb (1) 0.1 lb (3) 1 oz (1) 0.05 lb (2) 1/2 oz (2) 0.02 lb (2) 1/4 oz (1) 0.01 lb (1) 0.005 lb (2) 0.002 lb (1) 0.001 lb | (2) 10 lb (1) 5 lb (2) 2 lb (1) 1 lb (1) 0.5 lb (2) 0.2 lb (1) 0.1 lb (1) 0.05 lb (2) 0.02 lb (1) 0.01 lb (1) 0.005 lb (2) 0.002 lb (1) 0.001 lb | (2) 10 lb (1) 5 lb (2) 2 lb (1) 1 lb (1) 8 oz (1) 4 oz (1) 2 oz (1) 1 oz (1) 1/2 oz (1) 1/4 oz (1) 1/8 oz (1) 1/16 oz (2) 1/32 oz (2) 0.2 lb (1) 0.1 lb (1) 0.05 lb (2) 0.02 lb (1) 0.01 lb (1) 0.005 lb (2) 0.002 lb (1) 0.001 lb |
| 3 pcs. 30 lb set wt. | 15 pcs. 21 lb set wt. | 17 pcs. 21.11 lb set wt. | 13 pcs. 21 lb 0.05 oz set wt. | 18 pcs. 31 lb 1/2 oz set wt. | 16 pcs. 31 lb set wt. | 29 pcs. 31 lb 1/2 oz set wt. | 18 pcs. 31.100 lb set wt. | 27 pcs. 31 lb set wt. |

Replacement Cases

| Main Cases | | |
|----------------------------------|--------------|----------|
| Class 5 | | |
| Set Range | Part # | Price |
| (3) 10 lb | 11558 | \$265.00 |
| 10 lb - 1/32 oz | 11549 | \$260.00 |
| 10 lb - 0.001lb | 11549 | \$260.00 |
| 10 lb - 0.05 oz (21lb - 0.05 oz) | 11549 | \$260.00 |
| 10 lb - 1/4 oz | 11540 | \$260.00 |
| 10 lb - 1/32 oz | 11562 | \$260.00 |
| 10 lb - 0.001lb | 11543 | \$260.00 |
| 10 lb - 0.001lb | 11562 | \$260.00 |

| Main Cases | | |
|-------------------------------|--------------|----------|
| Class 5 | | |
| Set Range | Part # | Price |
| 10 lb - 0.001lb (combination) | 11562 | \$260.00 |
| 10 lb - 0.05 oz (combination) | 11562 | \$260.00 |
| 10 lb - 1/32 oz | 11555 | \$260.00 |
| 10 lb - 0.001lb | 11555 | \$260.00 |
| 10 lb - 0.05 oz (combination) | 11555 | \$260.00 |
| 10 lb - 0.001lb (combination) | 11563 | \$260.00 |

| Secondary Leatherette Cases | | |
|-----------------------------|--------------|---------|
| Class 5 | | |
| Size | Part # | Price |
| 10 lb - 0.001lb | 11512 | \$39.50 |
| 10 lb - 1/32 oz | 11510 | \$39.50 |

| Inserts | | |
|-----------------|---------------|---------|
| Class 5 | | |
| Size | Part # | Price |
| 10 lb - 0.001lb | 200160 | \$42.00 |
| 10 lb - 1/32 oz | 11552 | \$28.00 |
| 10 lb - 0.05 oz | 11553 | \$28.00 |

STAINLESS STEEL / AVOIRDUPOIS SET

Range: 10 lb



**CALIBRATION WEIGHTS
STAINLESS FIELD**

| 10 lb - 0.05 oz | 10 lb - 1/32 oz | 10 lb - 0.001 lb | 10 lb - 0.05 oz | 10 lb - 0.001 lb |
|---------------------------------------|--------------------------------|-----------------------------------|---------------------------------------|--------------------------------------|
| 12646 | 12628 | 12621 | 12632 | 12650 |
| (2) 10 lb | (3) 10 lb | (3) 10 lb | (3) 10 lb | (3) 10 lb |
| (1) 5 lb | (3) 5 lb | (3) 5 lb | (3) 5 lb | (3) 5 lb |
| (2) 2 lb | — | — | — | — |
| (1) 1 lb | (5) 1 lb | (5) 1 lb | (5) 1 lb | (5) 1 lb |
| (1) 8 oz | (1) 8 oz | (1) 0.5 lb | (1) 8 oz | (1) 8 oz |
| (1) 4 oz | (1) 4 oz | (2) 0.2 lb | (1) 4 oz | (1) 4 oz |
| (1) 2 oz | (1) 2 oz | (1) 0.1 lb | (1) 2 oz | (2) 0.2 lb |
| (1) 1 oz | (1) 1 oz | (1) 0.05 lb | (1) 1 oz | (1) 2 oz |
| (1) 0.5 oz | (1) 1/2 oz | (2) 0.02 lb | (1) 0.5 oz | (1) 0.1 lb |
| (2) 0.2 oz | (1) 1/4 oz | (1) 0.01 lb | (2) 0.20 oz | (1) 1 oz |
| (1) 0.1 oz | (1) 1/8 oz | (1) 0.005 lb | (1) 0.1 oz | (1) 0.05 lb |
| (1) 0.05 oz | (1) 1/16 oz | (2) 0.002 lb | (1) 0.05 oz | (1) 1/2 oz |
| | (2) 1/32 oz | (1) 0.001 lb | | (2) 0.02 lb |
| | | | | (1) 1/4 oz |
| | | | | (1) 0.01 lb |
| | | | | (1) 1/8 oz |
| | | | | (1) 0.005 lb |
| | | | | (1) 1/16 oz |
| | | | | (2) 0.002 lb |
| | | | | (2) 1/32 oz |
| | | | | (1) 0.001 lb |
| 15 pcs. 31lb 0.05oz set wt. | 21 pcs. 51lb set wt. | 23 pcs. 51.11lb set wt. | 20 pcs. 51lb 0.05oz set wt. | 32 pcs. 51.6100 lb set wt. |

Accessories

| Description | Part # | Price |
|-----------------------|---------------|---------|
| Statement of Accuracy | 36092 | \$47.50 |
| Leaf weight cover | 11758 | \$45.50 |
| Tweezer | 65640 | \$22.25 |
| Serial number | 25836 | \$17.00 |
| Premium tweezer | 152414 | \$45.50 |

CAST IRON / AVOIRDUPOIS GRIP-HANDLE AND NESTING SLAB

Range: 3,000 lb – 1 lb

ASTM

Class 6

Grip-handle

Optional Certificate

| Weight | Part # | Length | Width | Height | Slot Width | Slot Depth* | Price | Accredited |
|----------|--------------|---------------------|---------------------|----------------------|---------------------|--------------------|-------------|------------|
| 3,000 lb | 12872 | 20-3/4 in (527 mm) | 20-3/4 in (527 mm) | 29 in (737 mm) | 3-1/2 in (89 mm) | 2-3/4 in (70 mm) | \$14,000.00 | \$310.00 |
| 2,500 lb | 12854 | 20-3/4 in (527 mm) | 20-3/4 in (527 mm) | 24-3/4 in (629 mm) | 3-31/32 in (101 mm) | 2-3/4 in (70 mm) | \$12,800.00 | \$235.00 |
| 2,000 lb | 12868 | 20-3/4 in (527 mm) | 20-3/4 in (527 mm) | 19-1/2 in (495 mm) | 3-1/2 in (89 mm) | 2-3/4 in (70 mm) | \$11,500.00 | \$235.00 |
| 1,500 lb | 12864 | 15-1/8 in (384 mm) | 15-1/8 in (384 mm) | 26-7/8 in (683 mm) | 2-1/2 in (64 mm) | 2-1/4 in (57 mm) | \$9,000.00 | \$235.00 |
| 1,250 lb | 12858 | 15 in (381 mm) | 15 in (381 mm) | 23-3/4 in (603 mm) | 2-1/2 in (64 mm) | 2-1/4 in (57 mm) | \$7,700.00 | \$235.00 |
| 1,000 lb | 12850 | 15-1/2 in (394 mm) | 15 in (381 mm) | 18-11/16 in (478 mm) | 2-3/4 in (70 mm) | 2-29/32 in (74 mm) | \$5,000.00 | \$235.00 |
| 500 lb | 12844 | 12 in (305 mm) | 11-1/2 in (292 mm) | 15-3/4 in (400 mm) | 2-1/2 in (64 mm) | 1-29/32 in (48 mm) | \$4,000.00 | \$235.00 |
| 250 lb | 12892 | 9-3/4 in (248 mm) | 9-3/4 in (248 mm) | 12 in (305 mm) | 2-1/2 in (64 mm) | 2 in (51 mm) | \$2,600.00 | \$235.00 |
| 200 lb | 12890 | 9-3/4 in (248 mm) | 9-3/4 in (248 mm) | 10 in (254 mm) | 2-1/2 in (64 mm) | 2 in (51 mm) | \$2,350.00 | \$235.00 |
| 100 lb | 12862 | 7 in (178 mm) | 9-1/8 in (232 mm) | 7-7/8 in (200 mm) | 4-1/2 in (114 mm) | 1-1/2 in (38 mm) | \$660.00 | \$105.00 |
| 50 lb | 12839 | 5-1/2 in (140 mm) | 7-29/32 in (201 mm) | 6-9/16 in (167 mm) | 4-1/2 in (114 mm) | 1-21/32 in (42 mm) | \$160.00 | \$80.00 |
| 30 lb | 12878 | 4-29/32 in (125 mm) | 8-1/4 in (210 mm) | 4-1/2 in (114 mm) | 4-15/32 in (114 mm) | 31/32 in (25 mm) | \$210.00 | \$80.00 |
| 25 lb | 12833 | 4-1/2 in (114 mm) | 6-1/2 in (165 mm) | 4-15/16 in (125 mm) | 3-5/8 in (92 mm) | 31/32 in (25 mm) | \$145.00 | \$80.00 |
| 20 lb | 12870 | 4-15/32 in (114 mm) | 5-3/4 in (146 mm) | 5-3/32 in (129 mm) | 3-31/32 in (101 mm) | 1-5/32 in (29 mm) | \$115.00 | \$80.00 |

Class 7

Optional Certificate

| Weight | Part # | Length | Width | Height | Price | Accredited |
|--------|--------------|--------------------|------------------|--------------------|---------|------------|
| 10 lb | 12828 | 3-1/4 in (83 mm) | 5 in (127 mm) | 4-1/32 in (102 mm) | \$87.00 | \$80.00 |
| 5 lb | 12823 | 2-9/16 in (65 mm) | 4 in (102 mm) | 3-7/32 in (82 mm) | \$67.00 | \$80.00 |
| 2 lb | 12874 | 2-1/8 in (54 mm) | 3 in (76 mm) | 1-3/4 in (45 mm) | \$63.00 | \$65.00 |
| 1 lb | 12876 | 1-11/16 in (43 mm) | 2-1/2 in (64 mm) | 1-13/32 in (38 mm) | \$58.00 | \$65.00 |

Class 6

Nesting Slab

Optional Certificate

| Weight | Part # | Length | Width | Height | Slot Width | Slot Depth* | Price | Accredited |
|----------|--------------|----------------|-----------------|-------------------|--------------|------------------|------------|------------|
| 2,500 lb | 12860 | 30 in (762 mm) | 42 in (1067 mm) | 8-1/4 in (210 mm) | 2 in (51 mm) | 2-1/4 in (57 mm) | \$9,350.00 | \$235.00 |

* Slot depth refers to distance between lifting bars and castings.



PN 12860 Nesting Slab



PN 12839 Grip-handle

Accessories

| Description | Part # | Price |
|-----------------------|--------------|---------|
| Statement of Accuracy | 36092 | \$47.50 |
| Serial number | 25836 | \$17.00 |

CAST IRON / METRIC GRIP-HANDLE

Range: 1,000 kg – 500 g

ASTM

Class 6

| Weight | Part # | Length | Width | Height | Slot Width | Slot Depth* | Price | Optional Certificate | |
|----------|--------------|---------------------|---------------------|---------------------|---------------------|--------------------|-------------|----------------------|----------|
| | | | | | | | | Accredited | |
| 1,000 kg | 12801 | 20-1/2 in (521 mm) | 20-1/2 in (521 mm) | 22 in (559 mm) | 3-1/2 in (89 mm) | 2-3/4 in (70 mm) | \$12,000.00 | | \$310.00 |
| 500 kg | 12797 | 15-1/8 in (384 mm) | 15-1/8 in (384 mm) | 20-3/4 in (527 mm) | 2-1/2 in (64 mm) | 2 in (51 mm) | \$7,700.00 | | \$235.00 |
| 250 kg | 12782 | 12-1/2 in (318 mm) | 11-1/2 in (292 mm) | 17-1/2 in (445 mm) | 2-1/2 in (64 mm) | 1-7/8 in (48 mm) | \$4,300.00 | | \$235.00 |
| 200 kg | 12793 | 12 in (305 mm) | 11-1/2 in (292 mm) | 14-1/4 in (362 mm) | 2-1/2 in (64 mm) | 1-7/8 in (48 mm) | \$4,000.00 | | \$235.00 |
| 100 kg | 12817 | 9-7/8 in (251 mm) | 9-7/8 in (251 mm) | 11 in (279 mm) | 2-1/2 in (64 mm) | 2 in (51 mm) | \$2,500.00 | | \$235.00 |
| 50 kg | 12803 | 7 in (178 mm) | 9-7/32 in (234 mm) | 8-13/16 in (224 mm) | 4-15/32 in (114 mm) | 1-29/32 in (48 mm) | \$660.00 | | \$130.00 |
| 35 kg | 12805 | 5-1/2 in (140 mm) | 7-7/8 in (200 mm) | 9-15/32 in (252 mm) | 4-15/32 in (114 mm) | 1-1/16 in (27 mm) | \$475.00 | | \$130.00 |
| 25 kg | 12775 | 5-1/2 in (140 mm) | 7-21/32 in (195 mm) | 7-3/32 in (180 mm) | 4-7/16 in (113 mm) | 1-13/16 in (46 mm) | \$185.00 | | \$75.00 |
| 20 kg | 12771 | 5-19/32 in (142 mm) | 7-5/8 in (194 mm) | 5-29/32 in (150 mm) | 4-5/8 in (118 mm) | 1-19/32 in (41 mm) | \$155.00 | | \$75.00 |
| 10 kg | 12767 | 4-1/2 in (114 mm) | 6 in (152 mm) | 5 in (127 mm) | 3-3/4 in (95 mm) | 1-1/16 in (27 mm) | \$150.00 | | \$75.00 |

Class 7

| Weight | Part # | Length | Width | Height | Price | Optional Certificate | |
|--------|--------------|--------------------|---------------------|--------------------|---------|----------------------|---------|
| | | | | | | Accredited | |
| 5 kg | 12786 | 3-13/32 in (87 mm) | 5-15/32 in (139 mm) | 4-1/8 (105 mm) | \$88.00 | | \$75.00 |
| 2 kg | 12809 | 2-9/16 in (65 mm) | 3-31/32 in (101 mm) | 2-13/16 in (71 mm) | \$74.00 | | \$75.00 |
| 1 kg | 12813 | 2-1/8 in (54 mm) | 3 in (76 mm) | 1-27/32 in (47 mm) | \$63.00 | | \$55.00 |
| 500 g | 12815 | 1-5/8 in (41 mm) | 2-1/2 in (64 mm) | 1-17/32 in (39 mm) | \$58.00 | | \$55.00 |

OIML

Class M1

| Weight | Part # | Length | Width | Height | Slot Width | Slot Depth* | Price | Optional Certificate | |
|--------|---------------|---------------------|---------------------|---------------------|---------------------|--------------------|------------|----------------------|----------|
| | | | | | | | | Accredited | |
| 500 kg | 156304 | 15-1/8 in (384 mm) | 15-1/8 in (384 mm) | 20-3/4 in (527 mm) | 2-1/2 in (64 mm) | 2 in (51 mm) | \$7,700.00 | | \$235.00 |
| 250 kg | 156305 | 12 in (305 mm) | 11-1/2 in (292 mm) | 17-1/2 in (445 mm) | 2-1/2 in (64 mm) | 1-7/8 in (48 mm) | \$4,300.00 | | \$235.00 |
| 100 kg | 156306 | 9.87 in (251 mm) | 9.87 in (251 mm) | 11 in (279 mm) | 2-1/2 in (64 mm) | 2 in (51 mm) | \$1,590.00 | | \$235.00 |
| 50 kg | 105417 | 7 in (178 mm) | 9-7/32 in (234 mm) | 8-13/16 in (224 mm) | 4-15/32 in (114 mm) | 1-29/32 in (48 mm) | \$690.00 | | \$130.00 |
| 20 kg | 105416 | 5-19/32 in (142 mm) | 7-5/8 in (194 mm) | 5-29/32 in (150 mm) | 4-5/8 in (118 mm) | 1-19/32 in (41 mm) | \$165.00 | | \$75.00 |
| 10 kg | 105415 | 4-1/2 in (114 mm) | 6 in (152 mm) | 5 in (127 mm) | 3-3/4 in (95 mm) | 1-1/16 in (27 mm) | \$160.00 | | \$75.00 |
| 5 kg | 105414 | 3-13/32 in (87 mm) | 5-15/32 in (139 mm) | 4-1/8 in (105 mm) | - | - | \$92.00 | | \$75.00 |

* Slot depth refers to distance between lifting bars and castings.

Accessories

| Description | Part # | Price |
|-----------------------|--------------|---------|
| Statement of Accuracy | 36092 | \$47.50 |
| Serial number | 25836 | \$17.00 |



PN 12767 and PN 12771 OIML Grip-handle

CALIBRATION WEIGHTS
CAST IRON FIELD

CAST IRON / AVOIRDUPOIS AND METRIC SLOTTED INTERLOCKING AND HANGER

Range: 100 lb – 200 g

ASTM

Class 6

Slotted

| Weight | Part # | Slot Width | Diameter | Height | Price |
|--------|--------------|------------------|--------------------|--------------------|----------|
| 100 lb | 40828 | 1 in (25 mm) | 17 in (432 mm) | 1-15/16 in (49 mm) | \$680.00 |
| 50 lb | 12856 | 3/4 in (9 mm) | 10-5/8 in (270 mm) | 2-11/16 in (68 mm) | \$270.00 |
| 20 lb | 12831 | 13/16 in (21 mm) | 8-1/8 in (206 mm) | 1-31/32 in (50 mm) | \$120.00 |

Optional Certificate

| Accredited |
|------------|
| \$105.00 |
| \$80.00 |
| \$80.00 |

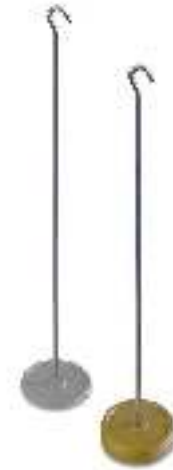
Class 7

Slotted

| Weight | Part # | Slot Width | Diameter | Height | Price |
|--------|--------------|------------------|-------------------|--------------------|---------|
| 10 lb | 12826 | 13/16 in (21 mm) | 6-1/8 in (156 mm) | 1-11/16 in (43 mm) | \$98.00 |
| 5 lb | 12852 | 11/16 in (18 mm) | 5-1/8 in (130 mm) | 1-5/16 in (33 mm) | \$79.00 |
| 2 lb | 12848 | 9/16 in (14 mm) | 5 in (127 mm) | 23/32 in (18 mm) | \$69.00 |
| 1 lb | 12842 | 9/16 in (14 mm) | 5 in (127 mm) | 15/32 in (12 mm) | \$69.00 |
| 1/2 lb | 12837 | 9/16 in (14 mm) | 3-3/4 in (95 mm) | 7/16 in (11 mm) | \$52.00 |

Optional Certificate

| Accredited |
|------------|
| \$80.00 |
| \$80.00 |
| \$65.00 |
| \$65.00 |
| \$40.00 |



Class 7

Hanger

| Weight | Part # | Capacity | Total Length | Operational Length | Diameter | Price |
|--------|--------------|----------|----------------------|---------------------|------------------|----------|
| 5 lb* | 12846 | 500 lb | 37-1/4 in (946 mm) | 35 in (889 mm) | 4 in (102 mm) | \$315.00 |
| 2 lb | 12841 | 200 lb | 21-13/32 in (544 mm) | 19 in (483 mm) | 3-3/4 in (95 mm) | \$160.00 |
| 2 lb | 12835 | 200 lb | 10-1/4 in (260 mm) | 8 in (203 mm) | 3-3/4 in (95 mm) | \$155.00 |
| 1 lb | 12830 | 200 lb | 21-29/32 in (556 mm) | 20-7/32 in (514 mm) | 3-3/4 in (95 mm) | \$140.00 |
| 1 lb | 12825 | 200 lb | 9-5/16 in (237 mm) | 7-9/16 in (192 mm) | 3-3/4 in (95 mm) | \$115.00 |

Optional Certificate

| Accredited |
|------------|
| \$80.00 |
| \$65.00 |
| \$65.00 |
| \$65.00 |
| \$65.00 |

* Stainless steel

Class 6

Slotted

| Weight | Part # | Slot Width | Diameter | Height | Price |
|--------|--------------|------------------|---------------------|--------------------|----------|
| 20 kg | 12819 | 21/32 in (17 mm) | 10-5/16 in (262 mm) | 2-11/32 in (60 mm) | \$270.00 |
| 10 kg | 12811 | 3/4 in (19 mm) | 8-3/16 in (208 mm) | 2-1/16 in (52 mm) | \$150.00 |

Optional Certificate

| Accredited |
|------------|
| \$75.00 |
| \$75.00 |

Class 7

Slotted

| Weight | Part # | Slot Width | Diameter | Height | Price |
|--------|--------------|------------------|--------------------|--------------------|----------|
| 5 kg | 12807 | 13/16 in (21 mm) | 6-3/16 in (157 mm) | 1-13/16 in (46 mm) | \$140.00 |
| 2 kg | 12799 | 9/16 in (14 mm) | 5-1/8 in (130 mm) | 1-3/16 in (30 mm) | \$79.00 |
| 1 kg | 12795 | 9/16 in (14 mm) | 5-1/16 in (129 mm) | 3/4 in (19 mm) | \$70.00 |
| 500 g | 12791 | 9/16 in (14 mm) | 5 in (127 mm) | 15/32 in (12 mm) | \$67.00 |
| 200 g | 12780 | 5/8 in (16 mm) | 3-21/32 in (93 mm) | 7/16 in (11 mm) | \$54.00 |

Optional Certificate

| Accredited |
|------------|
| \$75.00 |
| \$75.00 |
| \$55.00 |
| \$55.00 |
| \$55.00 |

Class 7

Hanger

| Weight | Part # | Capacity | Total Length | Operational Length | Diameter | Price |
|--------|--------------|----------|----------------------|---------------------|------------------|----------|
| 2 kg | 12788 | 250 kg | 37-1/4 in (946 mm) | 35 in (889 mm) | 4 in (102 mm) | \$315.00 |
| 1 kg | 12784 | 100 kg | 21-13/32 in (544 mm) | 19 in (483 mm) | 3-3/4 in (95 mm) | \$155.00 |
| 1 kg | 12777 | 100 kg | 10-1/4 in (260 mm) | 8 in (203 mm) | 3-3/4 in (95 mm) | \$155.00 |
| 500 g | 12773 | 100 kg | 21-29/32 in (556 mm) | 20-7/32 in (514 mm) | 3-3/4 in (95 mm) | \$140.00 |
| 500 g | 12769 | 100 kg | 9-5/16 in (237 mm) | 7-9/16 in (192 mm) | 3-3/4 in (95 mm) | \$125.00 |

Optional Certificate

| Accredited |
|------------|
| \$75.00 |
| \$55.00 |
| \$55.00 |
| \$55.00 |
| \$55.00 |

Accessories

| Description | Part # | Price |
|-----------------------|--------------|---------|
| Statement of Accuracy | 36092 | \$47.50 |
| Serial number | 25836 | \$17.00 |



Avoirdupois

Metric

CAST IRON / AVOIRDUPOIS AND METRIC COUNTERPOISE AND HANGER WEIGHTS

Range: 200 kg – 7 oz

ASTM

Class 7

Round

| Weight | Part # | Ratio | Diameter | Fairbanks® Part # | Price |
|-------------------|--------------|-----------------|--------------------|-------------------|---------|
| 50 lb × 1/2 lb | 10154 | 1 lb - 100 lb | 2-7/8 in (73 mm) | PA48 | \$42.00 |
| 100 lb × 1 lb | 10156 | 1 lb - 100 lb | 4-1/16 in (103 mm) | PA32 | \$48.00 |
| 200 lb × 2 lb | 10158 | 1 lb - 100 lb | 4-1/16 in (103 mm) | PA21 | \$42.00 |
| 500 lb × 5 lb | 10160 | 1 lb - 100 lb | 3-3/4 in (95 mm) | Pb52 | \$48.00 |
| 100 lb × 1/2 lb | 10152 | 1/2 lb - 100 lb | 2-7/8 in (73 mm) | PBC32 | \$42.00 |
| 200 lb × 1 lb | 10168 | 1/2 lb - 100 lb | 3-17/32 in (90 mm) | PBC21 | \$54.00 |
| 300 lb × 1 1/2 lb | 10189 | 1/2 lb - 100 lb | 3-1/2 in (89 mm) | - | \$42.00 |
| 500 lb × 2 1/2 lb | 10170 | 1/2 lb - 100 lb | 3-1/2 in (89 mm) | PBC52 | \$61.00 |
| 1,000 lb × 5 lb | 10196 | 1/2 lb - 100 lb | 3-7/8 in (98 mm) | - | \$73.00 |

Class 7

Hexagon

| Weight | Part # | Diameter | Price |
|---------------|--------------|--------------------|---------|
| 10 kg × 100 g | 10266 | 2 in (51 mm) | \$48.00 |
| 25 kg × 250 g | 10268 | 2-13/16 in (71 mm) | \$48.00 |
| 50 kg × 500 g | 10270 | 4 in (102 mm) | \$52.00 |
| 100 g × 1 kg | 10272 | 4 in (102 mm) | \$58.00 |
| 200 kg × 2 kg | 10274 | 4 in (102 mm) | \$63.00 |

Class 7

Square

| Weight | Part # | Ratio | Diameter | Fairbanks Part # | Price |
|----------------|--------------|---------------|-------------------|------------------|---------|
| 50 lb × 1/2 lb | 10191 | 1 lb - 100 lb | 2-5/16 in (59 mm) | 1A2349 | \$48.00 |
| 100 lb × 1 lb | 10162 | 1 lb - 100 lb | 3-1/2 in (89 mm) | 1A1469 | \$48.00 |
| 200 lb × 2 lb | 10164 | 1 lb - 100 lb | 3-1/2 in (89 mm) | 1A1470 | \$54.00 |
| 500 lb × 5 lb | 10166 | 1 lb - 100 lb | 3-1/2 in (89 mm) | 1A1471 | \$91.00 |

Round and Square

Hangers

| Approx. Weight | Part # | Total Length | Operational Length | Diameter | Price |
|----------------------------|--------------|--------------------|--------------------|---------------------|---------|
| Round | | | | | |
| 7 oz | 10188 | 7-1/16 in (179 mm) | 5-1/8 in (130 mm) | 3-31/32 in (101 mm) | \$78.00 |
| 10 oz (Fairbanks® only) | 10184 | 7-1/16 in (179 mm) | 5-1/8 in (130 mm) | 3-31/32 in (101 mm) | \$78.00 |
| 12 oz | 10185 | 7-1/16 in (179 mm) | 5-1/8 in (130 mm) | 3-31/32 in (101 mm) | \$78.00 |
| 17 oz | 10186 | 7-1/16 in (179 mm) | 5-1/8 in (130 mm) | 4 in (102 mm) | \$78.00 |
| 21 oz | 10187 | 7-1/16 in (179 mm) | 5-1/8 in (130 mm) | 4 in (102 mm) | \$78.00 |
| Square | | | | | |
| 21 oz | 10193 | 8-7/16 in (214 mm) | 6-5/16 in (160 mm) | - | \$78.00 |

CALIBRATION WEIGHTS
CAST IRON FIELD



PN 10193 21 oz Square Hanger

PN 10185 12 oz Round Hanger

CAST IRON / AVOIRDUPOIS COUNTERPOISE AND HANGER

Range: 500 lb – 7 oz

ASTM

Class 7

Round

| Weight | Part # | Diameter | Howe™ Part # | Price |
|----------------|--------------|--------------------|--------------|---------|
| 50 lb × 1/2 lb | 10367 | 3 in (76 mm) | 42071831 | \$54.00 |
| 100 lb × 1 lb | 10369 | 2-7/8 in (73 mm) | 42076188 | \$54.00 |
| 200 lb × 2 lb | 10371 | 2-31/32 in (75 mm) | 42076189 | \$54.00 |
| 300 lb × 3 lb | 10373 | 2-31/32 in (75 mm) | 42076190 | \$54.00 |
| 500 lb × 5 lb | 10385 | 3-1/8 in (79 mm) | 42078947 | \$54.00 |

Class 7 For Counting Scales

Round

| Weight | Part # | Ratio | Diameter | Fairbanks® Part # | Price |
|-------------------------------|--------------|--------|--------------------|-------------------|---------|
| 100 lb × 1 1/99 lb | 10387 | 99 - 1 | 3 in (76 mm) | 40810545 | \$61.00 |
| 500 lb × 5 5/99 lb | 10391 | 99 - 1 | 3-3/32 in (79 mm) | 42111567 | \$61.00 |
| 10 lb × 1 1/4 lb | 10427 | 8 - 1 | 2-15/16 in (75 mm) | - | \$61.00 |
| 5 lb × 5/8 lb | 10425 | 8 - 1 | 2-15/16 in (75 mm) | - | \$54.00 |
| 2 lb × 1/4 lb | 10411 | 8 - 1 | 2-7/32 in (56 mm) | - | \$54.00 |
| 80 lb × 1 3/5 lb | 10421 | 50 - 1 | 3 in (76 mm) | - | \$54.00 |
| 40 lb × 4/5 lb | 10419 | 50 - 1 | 2-13/16 in (71 mm) | - | \$54.00 |
| 20 lb × 2/5 lb | 10417 | 50 - 1 | 2-31/32 in (75 mm) | - | \$61.00 |
| 10 lb × 1/5 lb | 10415 | 50 - 1 | 2 in (51 mm) | - | \$54.00 |
| 5 lb × 1/10 lb | 10413 | 50 - 1 | 1-1/2 in (38 mm) | - | \$54.00 |
| 100 lb × 1 9/16 lb or 25 oz | 10409 | 64 - 1 | 3 in (76 mm) | 42111417 | \$54.00 |
| 50 lb × 28/32 lb or 12 1/2 oz | 10407 | 61 - 1 | 2-15/16 in (75 mm) | 40807082 | \$54.00 |
| 25 lb × 25/64 lb or 6 1/4 oz | 10405 | 64 - 1 | 2-31/32 in (75 mm) | 40807092 | \$54.00 |
| 10 lb × 5/32 lb or 2 1/2 oz | 10404 | 64 - 1 | 1-1/2 in (38 mm) | 42111454 | \$54.00 |

Round

Hangers

| Approx. Weight | Part # | Total Length | Operational Length | Diameter | Price |
|----------------|--------------|-------------------|--------------------|--------------------|----------|
| 7 oz | 10382 | 8-1/4 in (210 mm) | 6-3/16 in (157 mm) | 2-31/32 in (75 mm) | \$73.00 |
| 10 oz | 10379 | 8-1/4 in (210 mm) | 6-3/16 in (157 mm) | 2-31/32 in (75 mm) | \$73.00 |
| 12 oz | 10380 | 8-1/4 in (210 mm) | 6-3/16 in (157 mm) | 2-31/32 in (75 mm) | \$125.00 |
| 16 oz | 10381 | 8-1/4 in (210 mm) | 6-3/16 in (157 mm) | 2-31/32 in (75 mm) | \$125.00 |

Triangle

| Approx. Weight | Part # | Toledo® Part # | Price |
|----------------|--------------|----------------|---------|
| 100 lb × 1 lb | 11417 | 49868 | \$42.00 |
| 200 lb × 2 lb | 11419 | 49869 | \$48.00 |
| 500 lb × 5 lb | 11421 | 49870 | \$73.00 |

Triangle

Hangers

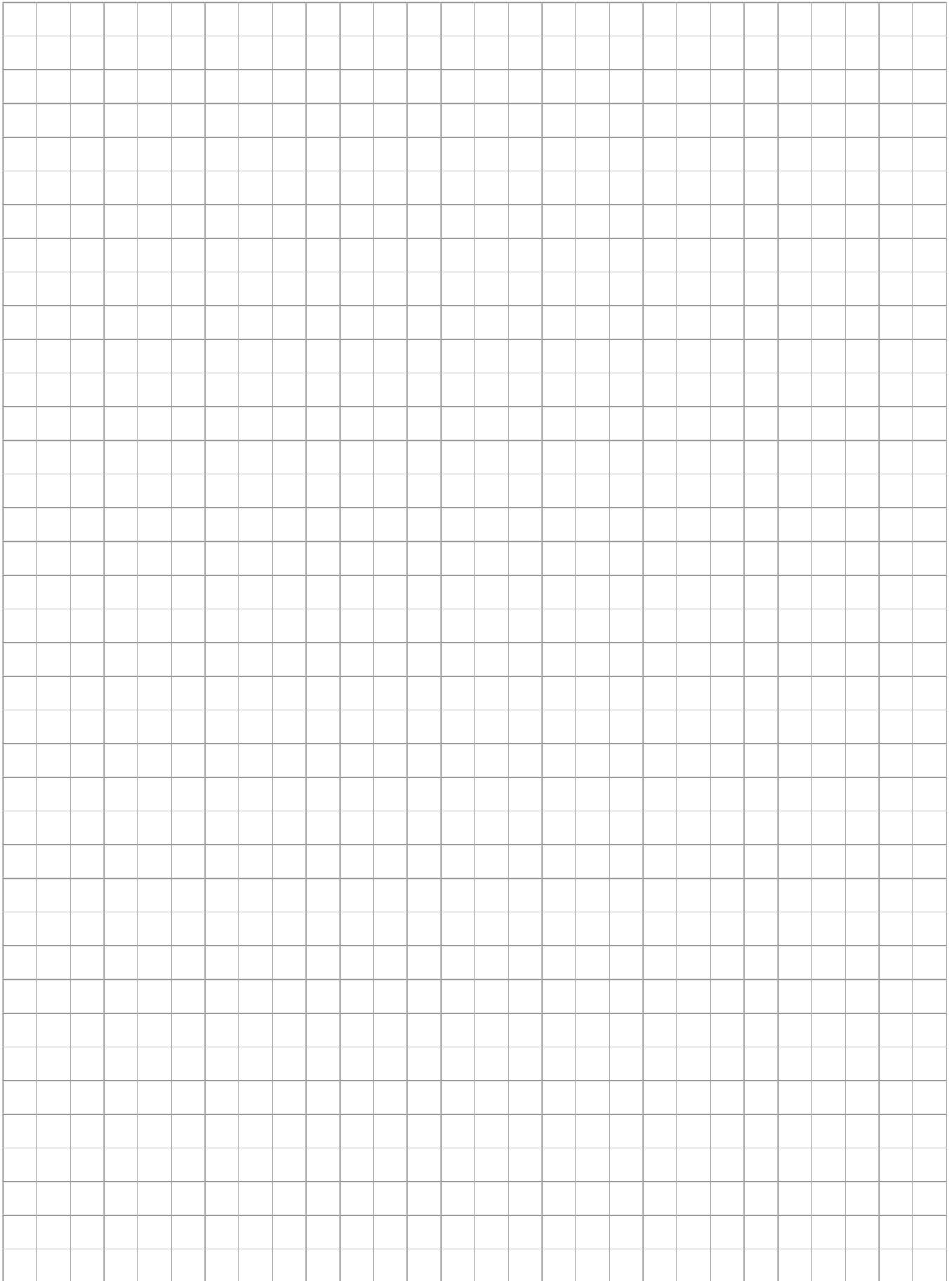
| Approx. Weight | Part # | Total Length | Operational Length | Toledo® Part # | Price |
|----------------|--------------|-------------------|--------------------|----------------|---------|
| 14 oz | 11423 | 8-1/4 in (210 mm) | 6-3/16 in (157 mm) | 49857 | \$73.00 |



Triangle Single and Hanger



CALIBRATION WEIGHTS
CAST IRON FIELD



**CALIBRATION WEIGHTS
CAST IRON FIELD**

Range: 5 lb – 25 g

Class 5
Cube

| Weight | Part # | Length | Width | Height | Price |
|--------|--------|--------------------|-------------------|---------------------|----------|
| 2 lb | 12649 | 1 in (25 mm) | 2.4 in (61 mm) | 3 in (76 mm) | \$175.00 |
| 1 lb | 12651 | 1 in (25 mm) | 1.2 in (31 mm) | 3 in (76 mm) | \$160.00 |
| 8 oz | 12653 | 1 in (25 mm) | 1-9/10 in (48 mm) | 1 in (25 mm) | \$140.00 |
| 2 oz | 12658 | 0.60 in (15 mm) | 0.70 in (18 mm) | 1 in (25 mm) | \$98.00 |
| 4 oz | 12655 | 1 in (25 mm) | 73/100 in (19 mm) | 309/1000 in (33 mm) | \$120.00 |
| 1 kg | 12557 | 3-3/8 in (87 mm) | 1 in (25 mm) | 2-1/2 in (63 mm) | \$175.00 |
| 500 g | 12552 | 3-13/32 in (87 mm) | 1 in (25 mm) | 1-1/4 in (32 mm) | \$140.00 |
| 300 g | 12547 | 1-1/4 in (32 mm) | 2-1/32 in (52 mm) | 1 in (25 mm) | \$130.00 |
| 200 g | 12544 | 1-3/8 in (35 mm) | 1-1/4 in (31 mm) | 1 in (25 mm) | \$120.00 |
| 100 g | 12541 | 1-7/32 in (31 mm) | 3/4 in (19 mm) | 1 in (25 mm) | \$98.00 |

Optional Certificate

| Accredited |
|------------|
| \$65.00 |
| \$65.00 |
| \$55.00 |
| \$55.00 |
| \$55.00 |
| \$55.00 |
| \$55.00 |
| \$55.00 |
| \$55.00 |
| \$55.00 |
| \$40.00 |

Class 5
Ring

| Weight | Part # | Outside Dia. | Inside Dia. | Height | Price |
|--------|--------|------------------|------------------|--------------------|----------|
| 500 g | 12566 | 3 in (76 mm) | 25/64 in (10 mm) | 37/64 in (15 mm) | \$150.00 |
| 200 g | 12563 | 2 in (51 mm) | 25/64 in (10 mm) | 17/32 in (14 mm) | \$125.00 |
| 100 g | 12561 | 1-1/2 in (38 mm) | 25/64 in (10 mm) | 1/2 in (13 mm) | \$98.00 |
| 50 g | 12560 | 1-1/2 in (38 mm) | 25/64 in (10 mm) | 1/4 in (6 mm) | \$83.00 |
| 25 g | 12559 | 1 in (25 mm) | 25/64 in (10 mm) | 5/16 in (8 mm) | \$66.00 |
| 5 lb | 12672 | 4 in (102 mm) | 25/64 in (10 mm) | 1-7/16 in (37 mm) | \$135.00 |
| 3 lb | 12671 | 3 in (76 mm) | 25/64 in (10 mm) | 1-35/64 in (36 mm) | \$105.00 |
| 2 lb | 12670 | 3 in (76 mm) | 25/64 in (10 mm) | 1-1/32 in (26 mm) | \$83.00 |
| 1 lb | 12669 | 3 in (76 mm) | 25/64 in (10 mm) | 33/64 in (13 mm) | \$83.00 |
| 8 oz | 12668 | 2 in (51 mm) | 25/64 in (10 mm) | 39/64 in (16 mm) | \$40.50 |
| 4 oz | 12667 | 1-1/2 in (38 mm) | 25/64 in (10 mm) | 9/16 in (14 mm) | \$40.50 |
| 2 oz | 12666 | 1 1/2 in (38 mm) | 25/64 in (10 mm) | 9/32 in (7 mm) | \$40.50 |
| 1 oz | 12665 | 1 in (25 mm) | 25/64 in (10 mm) | 11/32 in (9 mm) | \$40.50 |
| 1/2 oz | 12664 | 1 in (25 mm) | 25/64 in (10 mm) | 11/64 in (4 mm) | \$77.00 |
| 1/4 oz | 12663 | 1 in (25 mm) | 25/64 in (10 mm) | 3/32 in (2 mm) | \$105.00 |

Optional Certificate

| Accredited |
|------------|
| \$55.00 |
| \$55.00 |
| \$40.00 |
| \$40.00 |
| \$40.00 |
| \$80.00 |
| \$80.00 |
| \$65.00 |
| \$65.00 |
| \$40.00 |
| \$40.00 |
| \$40.00 |
| \$40.00 |
| \$40.00 |
| \$40.00 |
| \$40.00 |

CALIBRATION WEIGHTS
SPECIALTY



Ring Weights

Cube Weights

Accessories

| Description | Part # | Price |
|-----------------------|--------|---------|
| Statement of Accuracy | 36092 | \$47.50 |
| Serial number | 25836 | \$17.00 |

SPECIALTY CALIBRATION WEIGHTS / TROY OUNCE CYLINDRICAL AND LEAF WEIGHTS

Range: 500 oz t – 0.005 oz t

Class 5 Cylindrical

| Weight | Part # | Height | Diameter | Price |
|-----------|--------|--------------------|---------------------|------------|
| 500 oz t | 12719 | 6-5/16 in (160 mm) | 5 in (127 mm) | \$1,260.00 |
| 200 oz t | 12718 | 3-3/4 in (95 mm) | 4-25/32 in (121 mm) | \$555.00 |
| 100 oz t | 12717 | 3-13/16 in (96 mm) | 3 in (75 mm) | \$335.00 |
| 50 oz t | 12716 | 2-5/8 in (67 mm) | 2-21/32 in (68 mm) | \$195.00 |
| 20 oz t | 12715 | 2-1/4 in (57 mm) | 1-3/4 in (44 mm) | \$98.00 |
| 10 oz t | 12714 | 1-3/8 in (35 mm) | 1-29/32 in (48 mm) | \$78.00 |
| 5 oz t | 12713 | 1-3/16 in (30 mm) | 1-13/32 in (36 mm) | \$78.00 |
| 2 oz t | 12712 | 7/8 in (22 mm) | 31/32 in (25 mm) | \$45.50 |
| 1 oz t | 12711 | 7/8 in (21 mm) | 5/8 in (16 mm) | \$42.00 |
| 1/4 oz t | 12709 | 11/16 in (17 mm) | 3/8 in (9 mm) | \$51.00 |
| 1/8 oz t | 12708 | 5/16 in (8 mm) | 15/32 in (12 mm) | \$51.00 |
| 1/16 oz t | 12707 | 3/8 in (9 mm) | 1/4 in (6 mm) | \$51.00 |
| 1/32 oz t | 12706 | 5/16 in (8 mm) | 3/16 in (5 mm) | \$51.00 |
| 0.5 oz t | 12705 | 1/2 in (13 mm) | 23/32 in (18 mm) | \$51.00 |
| 0.2 oz t | 12704 | 1/2 in (13 mm) | 3/8 in (9 mm) | \$51.00 |
| 0.1 oz t | 12703 | 5/16 in (8 mm) | 13/32 in (10 mm) | \$51.00 |
| 0.05 oz t | 12702 | 1/4 in (6 mm) | 11/32 in (9 mm) | \$51.00 |

Optional Certificate

| Accredited |
|------------|
| \$80.00 |
| \$80.00 |
| \$80.00 |
| \$80.00 |
| \$65.00 |
| \$40.00 |
| \$40.00 |
| \$40.00 |
| \$40.00 |
| \$40.00 |
| \$40.00 |
| \$40.00 |
| \$40.00 |
| \$40.00 |
| \$40.00 |
| \$40.00 |
| \$40.00 |
| \$40.00 |
| \$40.00 |
| \$40.00 |
| \$40.00 |

Class 5 Leaf

| Weight | Part # | Height | Diameter | Price |
|------------|--------|-----------------------------|----------|---------|
| 0.02 oz t | 12701 | W × L (0.375 in × 0.287 in) | - | \$39.50 |
| 0.01 oz t | 12700 | W × L (0.312 in × 0.270 in) | - | \$39.50 |
| 0.005 oz t | 12699 | W × L (0.25 in × 0.22 in) | - | \$39.50 |

Optional Certificate

| Accredited |
|------------|
| \$40.00 |
| \$40.00 |
| \$40.00 |

CALIBRATION WEIGHTS
SPECIALTY



PN 12714 Cylindrical Weight

Accessories

| Description | Part # | Price |
|-----------------------|--------|---------|
| Statement of Accuracy | 36092 | \$47.50 |
| Serial number | 25836 | \$17.00 |

SPECIALTY CALIBRATION WEIGHTS / PENNYWEIGHT CYLINDRICAL AND LEAF, AND GRAIN WEIGHTS

Range: 20 dwt – 20 gr

Class 5
Cylindrical

| Weight | Part # | Price |
|--------|--------|---------|
| 20 dwt | 12698 | \$83.00 |
| 10 dwt | 12697 | \$83.00 |
| 5 dwt | 12696 | \$83.00 |
| 2 dwt | 12695 | \$83.00 |
| 1 dwt | 12694 | \$83.00 |

Optional Certificate

| Accredited |
|------------|
| \$40.00 |
| \$40.00 |
| \$40.00 |
| \$40.00 |
| \$40.00 |

Class 5
Leaf

| Weight | Part # | Price |
|---------|--------|---------|
| 0.5 dwt | 12693 | \$74.00 |
| 0.2 dwt | 12692 | \$74.00 |
| 0.1 dwt | 12691 | \$74.00 |

Optional Certificate

| Accredited |
|------------|
| \$40.00 |
| \$40.00 |
| \$40.00 |

Class 5
Grain

| Weight | Part # | Price |
|--------|--------|---------|
| 1 gr | 12726 | \$28.00 |
| 2 gr | 12727 | \$31.50 |
| 5 gr | 12730 | \$31.50 |
| 10 gr | 12733 | \$31.50 |
| 20 gr | 12736 | \$39.50 |

Optional Certificate

| Accredited |
|------------|
| \$40.00 |
| \$40.00 |
| \$40.00 |
| \$40.00 |
| \$40.00 |

**CALIBRATION WEIGHTS
SPECIALTY**



PN 12693 Pennyweight Leaf Weight



PN 12695 Cylindrical

Accessories

| Description | Part # | Price |
|-----------------------|--------|---------|
| Statement of Accuracy | 36092 | \$47.50 |
| Serial number | 25836 | \$17.00 |

SPECIALTY CALIBRATION WEIGHTS / AVOIRDUPOIS AND METRIC CUBE WEIGHT SETS

Range: 1kg – 1mg

Class 5

Cube Avoirdupois

Optional Certificate

| Set Size | Part # | Price | Accredited |
|---------------------|--------------|------------|------------|
| 8 oz - 1/16 oz | 12630 | \$360.00 | \$230.00 |
| (3) 2 lb - 1/16 oz | 12652 | \$1,050.00 | \$379.00 |
| (3) 2 lb - .001lb | 12659 | \$1,190.00 | \$457.00 |
| (14) 2 lb - 1/16 oz | 12585 | \$1,730.00 | \$918.00 |

Class 5

Cube Metric

Optional Certificate

| Set Size | Part # | Price | Accredited |
|----------------|---------------|------------|------------|
| 300 g - 10 g | 12545 | \$365.00 | \$280.00 |
| (14) 1kg - 1mg | 12553* | \$2,400.00 | \$999.00 |
| (3) 1kg - 1mg | 12555* | \$1,500.00 | \$645.00 |

Weight Set Contents

| 8 oz - 1/16 oz | 2 lb - 1/16 oz | 2 lb - 0.001lb | 2 lb - 1/16 oz |
|------------------------------|-------------------------------|----------------------------------|--------------------------------|
| 12630 | 12652 | 12659 | 12585 |
| 1 - 8 oz* | 3 - 2 lb* | 3 - 2 lb* | 14 - 2 lb* |
| 1 - 4 oz* | 1 - 1 lb* | 1 - 1 lb* | 2 - 1 lb* |
| 1 - 2 oz* | 1 - 8 oz* | 1 - 0.3 lb | 1 - 8 oz* |
| 1 - 1oz | 1 - 4 oz* | 1 - 0.2 lb | 1 - 4 oz* |
| 1 - 1/2 oz | 1 - 2 oz* | 1 - 0.1 lb | 1 - 2 oz* |
| 1 - 1/4 oz | 1 - 1oz | 1 - 0.05 lb | 1 - 1oz |
| 1 - 1/8 oz | 1 - 1/2 oz | 1 - 0.03 lb | 1 - 1/2 oz |
| 2 - 1/16 oz | 1 - 1/4 oz | 1 - 0.02 lb | 1 - 1/4 oz |
| | 1 - 1/8 oz | 1 - 0.01 lb | 1 - 1/8 oz |
| | 2 - 1/16 oz | 1 - 0.005 lb | 2 - 1/16 oz |
| | | 1 - 0.003 lb | |
| | | 1 - 0.002 lb | |
| | | 2 - 001lb | |
| 9 pcs. 1lb set wt. | 13 pcs. 8lb set wt. | 16 pcs. 7.72lb set wt. | 25 pcs. 31lb set wt. |

| 300 g - 10 g | 1kg - 1mg | 1kg - 1mg |
|-------------------------------|--------------------------------------|--------------------------------------|
| 12545 | 12553 | 12555 |
| - | 14 - 1kg* | 3 - 1 kg* |
| - | 2 - 500g* | 1 - 500g* |
| 1 - 300g* | 1 - 300g* | 1 - 300g* |
| 1 - 200g* | 1 - 200g* | 1 - 200g* |
| 1 - 100g* | 1 - 100g* | 1 - 100g* |
| 1 - 50 g | 1 - 50 g | 1 - 50 g |
| 1 - 30 g | 1 - 30 g | 1 - 30 g |
| 1 - 20 g | 1 - 20 g | 1 - 20 g |
| 1 - 10 g | 1 - 10 g | 1 - 10 g |
| 1 - 5 g | 1 - 5 g | 1 - 5 g |
| 1 - 3 g | 1 - 3 g | 1 - 3 g |
| 1 - 2 g | 1 - 2 g | 1 - 2 g |
| 1 - 1g | 1 - 1g | 1 - 1 g |
| 1 - 500 mg | 1 - 500 mg | 1 - 500 mg |
| 1 - 300 mg | 1 - 300 mg | 1 - 300 mg |
| 1 - 200 mg | 1 - 200 mg | 1 - 200 mg |
| 1 - 100 mg | 1 - 100 mg | 1 - 100 mg |
| 1 - 50 mg | 1 - 50 mg | 1 - 50 mg |
| 1 - 30 mg | 1 - 30 mg | 1 - 30 mg |
| 1 - 20 mg | 1 - 20 mg | 1 - 20 mg |
| 1 - 10 mg | 1 - 10 mg | 1 - 10 mg |
| | 1 - 5 mg | 1 - 5 mg |
| | 1 - 3 mg | 1 - 3 mg |
| | 1 - 2 mg | 1 - 2 mg |
| | 1 - 1mg | 1 - 1 mg |
| 7 pcs. 710g set wt. | 39 pcs 15,722.221g set wt. | 27 pcs. 4,222.221g set wt. |

*Cube Weight

**CALIBRATION WEIGHTS
SPECIALTY**

Replacement Cases

| Cube Avoirdupois Main Cases | | |
|-----------------------------|--------------|----------|
| Class 5 | | |
| Set Size | Part # | Price |
| 8 oz - 1/16 oz | 11510 | \$39.50 |
| (3) 2 lb - 1/16 oz | 11569 | \$240.00 |
| (3) 2 lb - .001lb | 11569 | \$240.00 |
| (14) 2 lb - 1/16 oz | 40783 | \$380.00 |

| Cube Metric Main Cases | | |
|------------------------|--------------|----------|
| Class 5 | | |
| Size | Part # | Price |
| 300 g - 10 g | 11510 | \$39.50 |
| (14) 1kg - 1mg | 40783 | \$380.00 |
| (3) 1kg - 1mg | 11569 | \$240.00 |

| Inserts | | |
|----------------|--------------|---------|
| Class 5 | | |
| Size | Part # | Price |
| 300 g - 10 g | 11526 | \$42.00 |
| 5 g - 1mg | 11527 | \$39.50 |
| (2) 50 g - 1mg | 11528 | \$42.00 |
| 1kg - 1mg | 11526 | \$42.00 |
| (3) 1kg - 1mg | 11526 | \$42.00 |

Accessories

| Description | Part # | Price |
|-----------------------|---------------|---------|
| Statement of Accuracy | 36092 | \$47.50 |
| Leaf weight cover | 11758 | \$45.50 |
| Tweezer | 65640 | \$22.25 |
| Serial number | 25836 | \$17.00 |
| Premium tweezer | 152414 | \$45.50 |

SPECIALTY CALIBRATION WEIGHTS / AVOIRDUPOIS AND METRIC SINGLE HANGERS/SLOTTED WEIGHTS

Range: 5 lb – 100 g

Class 7

Stainless Steel Hanger

| Weight | Part # | Length | Diameter | Total Cap | Price |
|--------|---------------|------------|---------------|-----------|----------|
| 5 lb | 12846 | 37 1/4 in | 4 in (102 mm) | 500 lb | \$315.00 |
| 3 kg | 156937 | 38 3/16 in | 4 in (102 mm) | 250 kg | \$330.00 |

Optional Certificate

| Accredited |
|------------|
| \$80.00 |
| \$75.00 |

Class 5

Slotted Avoirdupois

| Weight | Part # | Diameter | Height | Slot Width | Price |
|--------|--------------|------------------|-------------------|----------------|----------|
| 10 lb | 12589 | 4 in (102 mm) | 3-1/8 in (79 mm) | 1/2 in (13 mm) | \$630.00 |
| 5 lb | 12586 | 4 in (102 mm) | 1-9/16 in (40 mm) | 1/2 in (13 mm) | \$395.00 |
| 2 lb | 12577 | 3 in (76 mm) | 1-9/64 in (29 mm) | 1/2 in (13 mm) | \$250.00 |
| 1 lb | 12574 | 3 in (76 mm) | 19/32 in (15 mm) | 1/2 in (13 mm) | \$210.00 |
| 8 oz | 12583 | 2 in (51 mm) | 45/64 in (18 mm) | 1/2 in (13 mm) | \$185.00 |
| 4 oz | 12580 | 1-1/2 in (38 mm) | 11/16 in (18 mm) | 1/2 in (13 mm) | \$145.00 |

Optional Certificate

| Accredited |
|------------|
| \$80.00 |
| \$80.00 |
| \$65.00 |
| \$65.00 |
| \$40.00 |
| \$40.00 |

Class 5

Slotted Metric

| Weight | Part # | Diameter | Height | Slot Width | Price |
|--------|---------------|------------------|-------------------|----------------|----------|
| 5 kg | 156931 | 4 in (102 mm) | 3-1/8 in (79 mm) | 1/2 in (13 mm) | \$585.00 |
| 2 kg | 156932 | 4 in (102 mm) | 1-9/16 in (40 mm) | 1/2 in (13 mm) | \$405.00 |
| 1 kg | 156933 | 3 in (76 mm) | 1.27 in (32 mm) | 1/2 in (13 mm) | \$240.00 |
| 500 g | 156934 | 3 in (76 mm) | 0.836 in (21 mm) | 1/2 in (13 mm) | \$220.00 |
| 200 g | 156935 | 1-1/2 in (38 mm) | 0.801 in (20 mm) | 1/2 in (13 mm) | \$180.00 |
| 100 g | 156936 | 1-1/2 in (38 mm) | 0.601 in (15 mm) | 1/2 in (13 mm) | \$120.00 |

Optional Certificate

| Accredited |
|------------|
| \$75.00 |
| \$75.00 |
| \$55.00 |
| \$55.00 |
| \$55.00 |
| \$40.00 |

**CALIBRATION WEIGHTS
SPECIALTY**



Accessories

| Description | Part # | Price |
|-----------------------|--------------|---------|
| Statement of Accuracy | 36092 | \$47.50 |
| Serial number | 25836 | \$17.00 |

Range: 50 kg – 2,000 lb

Painted Steel Lift Truck Weights

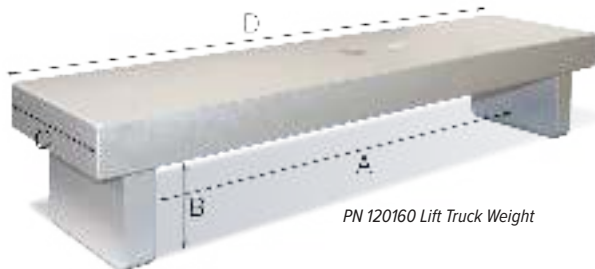
Class 6

Optional Certificate

| Weight | Part # | Price | Accredited |
|----------|---------------|------------|------------|
| 1,000 lb | 120160 | \$2,800.00 | \$235.00 |
| 2,000 lb | 120162 | \$8,275.00 | \$235.00 |

Dimensions

| PN 120160 | | PN 120162 | |
|-----------|----------|-----------|----------|
| A | 38.25 in | A | 34.25 in |
| B | 6.0 in | B | 6.0 in |
| C | 22.5 in | C | 22.5 in |
| D | 46.25 in | D | 46.25 in |



PN 120160 Lift Truck Weight

CALIBRATION WEIGHTS
SPECIALTY

Stainless Steel Clean Room Weight Cart

Class 6

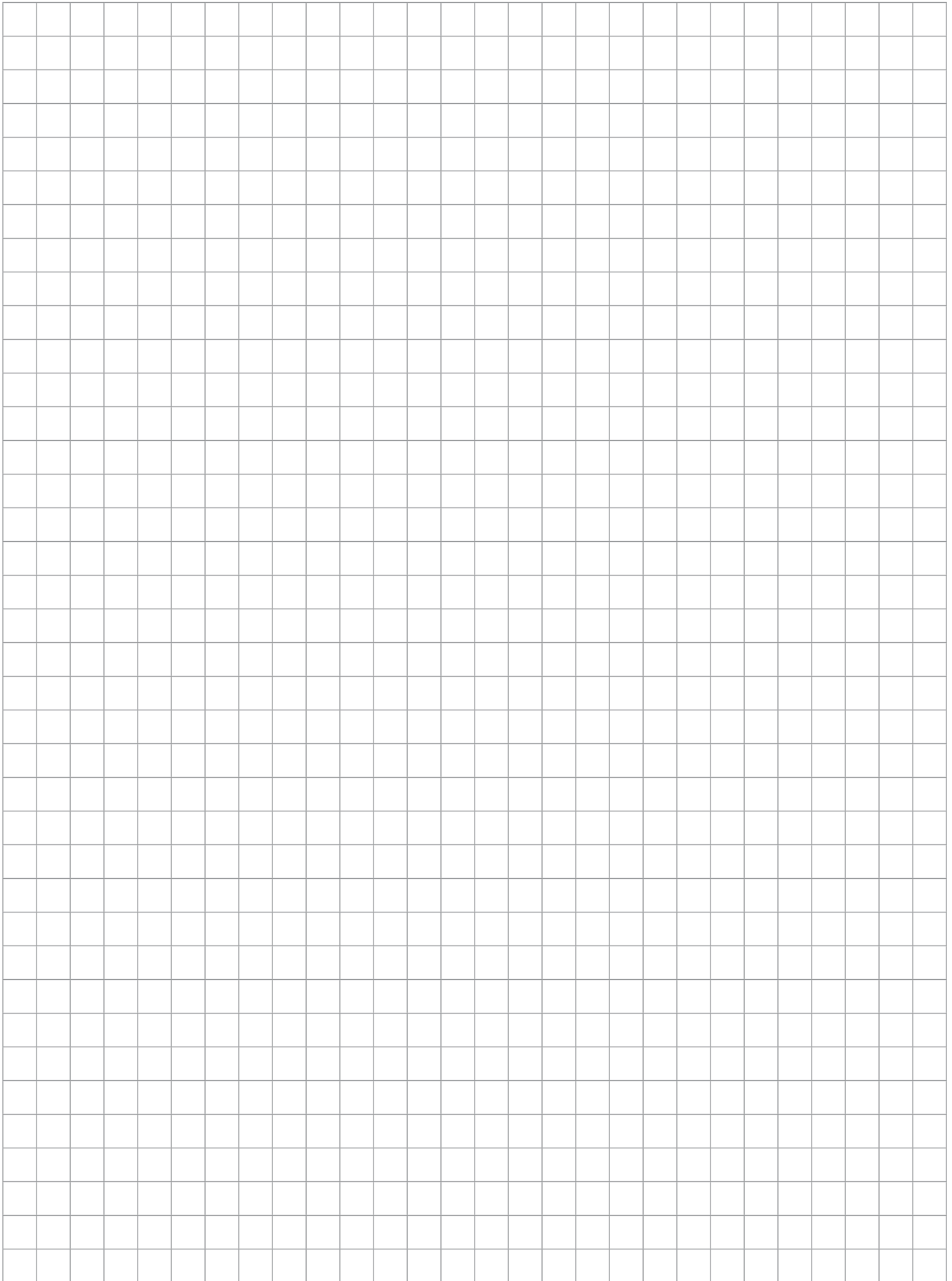
Optional Certificate

| Weight | Part # | Description | Price | Accredited |
|--------|---------------|-------------|-------------|------------|
| 50 kg | 178045 | 16 × 16 in | \$5,025.00 | \$235.00 |
| 100 kg | 180033 | 16 × 16 in | \$5,650.00 | \$235.00 |
| 125 kg | 184463 | 16 × 16 in | \$6,275.00 | \$235.00 |
| 150 kg | 184464 | 16 × 16 in | \$6,700.00 | \$235.00 |
| 175 kg | 184465 | 18 × 18 in | \$7,025.00 | \$235.00 |
| 200 kg | 180624 | 16 × 16 in | \$7,025.00 | \$235.00 |
| 250 kg | 180625 | 18 × 18 in | \$8,900.00 | \$235.00 |
| 500 kg | 180034 | 18 × 18 in | \$15,850.00 | \$235.00 |



**Do not stack weights on carts.*

*Clean Room, Weigh Cart
(Calibration Optional)*



Cases

Industrial-Quality Cases

These heavy-duty cases are designed to be used in place of large wooden cases when portability is desired. The recessed latches provide protection assurance for your weights.

Pelican Cases

- Pick N Pluck™ with convoluted lid foam
- Watertight, crushproof and dustproof
- Durable, lightweight container design
- Rubber over-molded handle
- Secure, integrated latches
- Stainless steel padlock protectors
- Custom inserts available upon request



Pelican Cases

| Length | Width | Closed Height | Max Load | Part # | Price |
|----------|----------|---------------|----------|--------------|----------|
| 17.00 in | 22.00 in | 8.00 in | 75.00 lb | 21230 | \$445.00 |
| 11.75 in | 17.00 in | 6.00 in | 50.00 lb | 21229 | \$300.00 |

Black Thermoformed Cases

| Length | Width | Closed Height | Max Load | Part # | Price |
|----------|----------|---------------|----------|---------------|----------|
| 22.40 in | 16.30 in | 10.50 in | 95.00 lb | 156989 | \$890.00 |
| 16.40 in | 11.40 in | 9.00 in | 55.00 lb | 156285 | \$600.00 |
| 9.90 in | 9.90 in | 11.00 in | 60.00 lb | 156284 | \$480.00 |

Black Injection-Molded Watertight Case

| Length | Width | Closed Height | Max Load | Part # | Price |
|----------|---------|---------------|----------|---------------|----------|
| 12.63 in | 9.50 in | 4.75 in | 20.00 lb | 158121 | \$345.00 |

Black Thermoformed Cases

- Excellent for transporting weights
- Recessed, heavy-duty latches confidently secure contents
- Ergonomic handles retain preferred treatment of weights
- Metal hardware resists natural wear and tear
- Special case cuttings are required for heavy duty cases at an additional charge

Black Injection-Molded Watertight Case

- Designed for custom weight sets
- Ergonomic top-mounted handle provides ideal weight positioning
- Interior is custom-molded to the weights to be stored



Medium-Duty Cases

Medium-duty cases are primarily used for manually transporting test weights as they effectively absorb shock and resist changes in environment.

ABS Plastic

- ABS plastic is considered superior for its strength, gloss and electrical insulation properties—an excellent choice for encasing weights
- All metal hardware establishes the security of your weights
- Top-mounted handle makes transporting the weights effortless
- Custom-cut foam inserts are used for insulating between the weights
- Three sizes available

ABS Plastic

| A | B | C | Max Load | Part # | Price |
|---------|----------|---------|----------|--------------|----------|
| 7.63 in | 13.50 in | 6.00 in | 40 lb | 11531 | \$265.00 |
| 9.38 in | 14.38 in | 7.63 in | 55 lb | 11534 | \$275.00 |
| 6.50 in | 8.38 in | 7.13 in | 25 lb | 11572 | \$200.00 |

Wooden Cases

(Other cases and sizes available by custom order)

- Walnut-constructed and felt-lined
- Built-to-order and designed specifically for your weight sets
- Not available as an accessory purchase
- Available in 5 kg-20 kg capacities
- Secured by hinged latches
- Case keeps weights free of dust and contaminants
- Protects your weights in storage and during transportation
- Cases should be packed in an external box during shipping to protect them

PVC Cases

(Other cases and sizes available by custom order)

- Available in capacities from 100 g-1 mg for Precision Mass Reference Standards
- Also available for ASTM Class 0 weights in 100 g-1 mg capacities



ABS Plastic Case (Weights shown are not included with case)



Cases

Light-Duty/Single Weight Cases

Light-duty/single weight cases can be used for storage and shipping smaller capacity weights within additional materials.

Plastic

- Light-duty plastic cases are used for shipping lighter capacity weights—typically single weights not exceeding 5 lb
- Plastic hinges, latches and side-mounted handle keep this case extremely lightweight and portable
- Uncut foam is included while custom-cut is available for an extra charge
- Custom-cut foam insert protects each weight from impact during transport

Leatherette

- Secure storage of single weights with snap lid
- Considered light-duty and used for storage and shipping
- Leatherette is a non-porous material—ideal for weight protection
- Two sizes of leatherette cases available

Clean Room

Acrylic

- Ideal for all clean room environments
- Tough, clear acrylic protects your valuable investment
- Provide compliance for stringent clean room requirements
- Not recommended for shipping; developed exclusively for storage
- Available as an accessory only
- Optional custom inserts available up request

Polycarbonate Cases

- Light-duty cases for single weights
- Suitable for clean room storage and shipping lighter capacity weights
- Three case sizes with different insert sizes
- Transparent lid for easy weight identification
- Secure-latch lid for weight protection



PN 34645

PN 11596

Wooden and PVC

| Description | Part # | Price |
|---|--------|----------|
| PVC case for precision laboratory mass reference standards, 100 g-1 mg range (5-3-2-1 configuration) | 11596 | \$190.00 |
| Wooden case built-to-order for field standards and balance calibration weights, 500 g-1 mg range | 34645 | \$350.00 |
| PVC case for precision laboratory mass reference standards, 100 g-1 mg range (5-2-2-1 configuration) | 11588 | \$190.00 |
| PVC case for precision laboratory mass reference standards, 1 mg-500 mg range (5-2-2-1 configuration) | 11763 | \$90.00 |



PN 87982

PN 69229

Polycarbonate Case

Plastic

| Length | Width | Closed Height | Max Load | Part # | Price |
|---------|----------|---------------|----------|--------|---------|
| 8.00 in | 12.00 in | 3.50 in | 5.00 lb | 87982 | \$86.00 |

Leatherette

| Length | Width | Closed Height | Max Load | Part # | Price |
|---------|---------|---------------|----------|--------|---------|
| 1.88 in | 3.75 in | 1.06 in | 3 lb | 69429 | \$39.50 |
| 2.50 in | 3.43 in | .875 in | 1 lb | 69229 | \$39.50 |



PN 89180 and PN 89179
Shown with optional insert

Acrylic Clean Room

| Length | Width | Closed Height | Part # | Price |
|------------|----------|---------------|---------|----------|
| 3.04 in | 6.04 in | 1.80 in | 89179 | \$135.00 |
| 4.70 in | 8.70 in | 2.80 in | 89180 | \$245.00 |
| 5.25 in | 12.00 in | 4.00 in | 89181 | \$385.00 |
| 8.50 in | 13.25 in | 5.75 in | 89182 | \$605.00 |
| PVC Insert | | | Consult | Consult |

Polycarbonate

| Length | Width | Closed Height | Part # | Price |
|---------|---------|---------------|---------|---------|
| 4.25 in | 4.25 in | 4.88 in | Consult | \$32.00 |
| 3.12 in | 3.12 in | 3.61 in | Consult | \$32.00 |
| 2.25 in | 2.25 in | 2.45 in | Consult | \$35.00 |

Sealers Cube Wt - With Precut Foam Insert

| Length | Width | Closed Height | Part # | Price |
|---------|----------|---------------|--------|----------|
| 9.38 in | 14.38 in | 7.63 in | 40783 | \$380.00 |

Protection Containers

| Description | Part # | Price |
|-------------|--------|--------|
| Capsule | 80420 | \$5.25 |
| Vial | 50038 | \$5.25 |

CALIBRATION WEIGHTS
ACCESSORIES

Sealing Plugs

CALIBRATION WEIGHTS ACCESSORIES

Lead

| Diameter | Part # | Price |
|-------------------|--------------|--------|
| 2.75 in (69.8 mm) | 11749 | \$6.00 |
| 1.88 in (47.6 mm) | 11750 | \$5.25 |
| 1.00 in (25.4 mm) | 11751 | \$4.75 |
| 0.50 in (12.7 mm) | 11752 | \$4.75 |
| 1.25 in (31.7 mm) | 11753 | \$4.75 |
| 0.56 in (14.3 mm) | 11760 | \$4.75 |
| 0.63 in (15.9 mm) | 11761 | \$4.75 |
| 0.75 in (19.1 mm) | 11765 | \$4.75 |
| 0.88 in (22.2 mm) | 11785 | \$4.75 |

Aluminum

| Diameter | Part # | Price |
|-------------------|--------------|--------|
| 0.38 in (9.5 mm) | 11744 | \$2.75 |
| 0.50 in (12.7 mm) | 11745 | \$2.75 |
| 0.63 in (15.9 mm) | 11746 | \$2.75 |
| 1.00 in (25.4 mm) | 11762 | \$2.75 |
| 0.56 in (14.3 mm) | 11767 | \$4.75 |
| 0.88 in (22.2 mm) | 11775 | \$4.25 |
| 0.75 in (19.1 mm) | 11776 | \$2.75 |

Backup

| Diameter | Part # | Price |
|-------------------|--------------|--------|
| 2.75 in (69.8 mm) | 11748 | \$6.75 |
| 0.75 in (19.1 mm) | 11766 | \$4.75 |
| 1.00 in (25.4 mm) | 11710 | \$2.75 |
| 1.88 in (47.6 mm) | 11699 | \$2.75 |

Backup Stainless Steel

| Diameter | Part # | Price |
|-------------------|--------------|--------|
| 1.00 in (25.4 mm) | 44992 | \$2.75 |
| 0.63 in (15.9 mm) | 44993 | \$5.25 |
| 0.33 in (9.5 mm) | 44994 | \$6.00 |

Stainless Steel

| Diameter | Part # | Price |
|-------------------|--------------|--------|
| 0.94 in (23.0 mm) | 11709 | \$4.75 |



Canvas Dust Covers

Canvas Dust Covers

| Weight | Part # | Capacity | Cover Part # | Price |
|--------------|----------|--------------|--------------|-------|
| 12890 | 200 lb | 11720 | \$235.00 | |
| 12844 | 500 lb | 11722 | \$235.00 | |
| 12880 | 750 lb | 11723 | \$235.00 | |
| 12850 | 1,000 lb | 11724 | \$235.00 | |
| 12858 | 1,250 lb | 11727 | \$235.00 | |
| 12866 | 2,000 lb | 11729 | \$235.00 | |

| Weight | Part # | Capacity | Cover Part # | Price |
|--------------|----------|--------------|--------------|-------|
| 12817 | 100 kg | 11738 | \$235.00 | |
| 12782 | 250 kg | 11740 | \$235.00 | |
| 12797 | 500 kg | 11741 | \$235.00 | |
| 12801 | 1,000 kg | 11742 | \$235.00 | |
| 12821 | 2,000 kg | 11743 | \$235.00 | |



Gloves

Cotton 11714

- Essential tool for proper weight-handling
- Proper protection for preventing hand residue
- Residue can impact a weight's calibration and certification for accuracy
- Rice Lake recommends using cotton gloves to handle all precision weights



Vinyl 11773

- Vinyl gloves are an acceptable handling tool to keep dirt and residue off your weights
- Better than handling precision weights bare-handed
- Vinyl gloves are economical, disposable, convenient and help maintain the integrity of your weights



Gloves

| Description | Part # | Price |
|--------------|--------------|--------|
| Cotton glove | 11714 | \$7.25 |
| Vinyl glove | 11773 | \$3.50 |

Transfer Equipment

Transfer Equipment

| Set Size | Part # | Price |
|--|--------|---------|
| Forceps, 3.63 in 100 g - 1 mg | 11711 | \$5.25 |
| Forceps, 4.75 in | 50035 | \$45.50 |
| Plastic bar 200 g - 3 kg, screw knob weights | 11747 | \$22.25 |
| Metal handle 5 kg +, screw knob weights | 11712 | \$77.00 |
| Metal forceps <i>Not recommended for use with polished weights.</i> | 65640 | \$22.25 |
| Weight lifter, OIML 2 kg and 5 kg | 50037 | \$57.00 |
| Tong assembly, 24 cm x 7.5 cm | 50000 | \$78.00 |
| Tweezers, premium, 140 mm | 152414 | \$45.50 |
| Tweezers, premium, 220 mm | 157109 | \$51.00 |



CALIBRATION WEIGHTS
ACCESSORIES

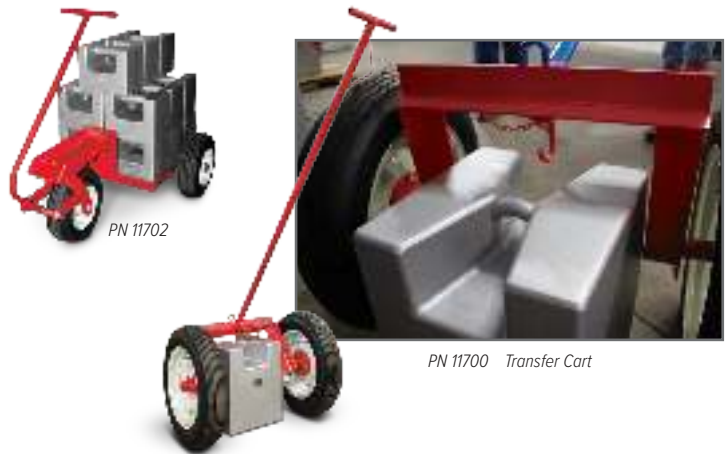
Transfer Cart

Transfer Cart

| Description | Part # | Price |
|---|--------|------------|
| 36.50 x 74.50 x 29.00 in (927.1 x 1892.3 x 736.6 mm) <i>For use on smooth, level surfaces—especially for moving 500 or 1,000 lb heavy-capacity weights.</i> | 11700 | \$1,810.00 |
| 25.00 x 37.50 x 14.50 in (635 x 952.5 x 368.3 mm) <i>For use on smooth, level surfaces—for holding up to fifteen 50 lb grip-handle weights.</i> | 11702 | \$2,070.00 |

Hook Replacement Parts

| Description | Part # | Price |
|--------------------------------|--------|---------|
| Short hook for 1,000 lb weight | 22643 | \$48.00 |
| Long hook for 500 lb weight | 22644 | \$48.00 |



Touch-Up Paint

Touch-up/Repair Paint

Ships UPS ground only. These are NOT available for export.

| Description | Part # | Price |
|------------------------|--------|---------|
| Aerosol spray (gold) | 88561 | \$34.00 |
| Aerosol spray (silver) | 88562 | \$34.00 |
| Aerosol spray (primer) | 88563 | \$34.00 |



Checkweighers

TABLE OF CONTENTS

| | |
|---|------------|
| IQ Plus® 2100 | 314 |
| <i>Digital Bench Scale</i> | |
| IQ Plus® 2100SL | 316 |
| <i>Digital Bench Scale</i> | |
| CW-90 | 318 |
| <i>Over/Under Checkweigher</i> | |
| CW-90X | 320 |
| <i>Over/Under Washdown Checkweigher</i> | |

Product names, logos, brands and other trademarks featured or referred to within this publication are the property of their respective trademark holders.

IQ Plus® 2100

Digital Bench Scale



Standard Features

- NEMA Type 4X/IP66
- 304 stainless steel construction
- Large, bold 0.8 in LED display
- Status annunciators: lb, kg, oz, g, negative, motion, center of zero
- One full-duplex RS-232 port
- Two digital inputs for remote zero, print and units
- 12 in column, attachment bracket or tilt stand for table, wall or under counter mounting
- Aluminum, single-point load cell
- Overload and upload stops on scale base
- Stainless steel, non-tactile feel, piezo zero and units buttons
- Unit of measure: kg, gm, lb, oz, lb/oz (lb/oz is not Legal for Trade)
- PreVent™ breather vent
- Factory calibrated

Specifications

Power:
Line Voltage 115 VAC

Frequency:
50/60 Hz

Power Consumption:
70 mA at 115 VAC (8 W)

Display Resolution:
10,000 graduations maximum

Digital Inputs:
Two inputs, TTL or switch closure, active-low

Scale Frame:
AISI304L, straight line finish, Ra=45 ± 10

Scale Cover:
AISI304L, straight line finish, Ra=45 ± 10

Serial Communications:
Full-duplex RS-232; 9600, 4800, 2400, 1200 bps; seven or eight data bits; even, odd or no parity

Display:
Six-digit light-emitting diode (LED) display
Seven-segment, 0.8 in (20 mm) digits

LED Annunciators:
Negative value, center of zero, motion, kg, g, lb, oz

Keypad:
Two stainless steel piezo switches

Operating Temperature:
14 °F to 104 °F (-10 °C to 40 °C)

Rating/Material:
NEMA Type 4X/IP66, stainless steel

Load Cell:
Aluminum, environmentally sealed

Warranty:
Two-year limited

Approvals:
Indicator:
NTEP CC 00-045 Class III/IIIL 10,000 d
Measurement Canada AM-5374;
cULus listed

Base:
NTEP CC 95-072, Class III 5,000 d

Approvals

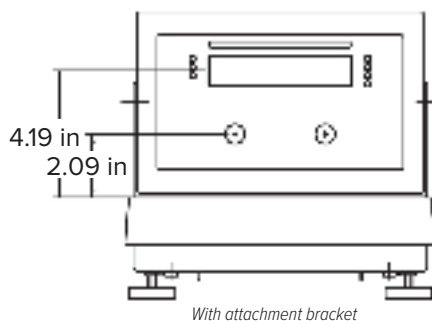
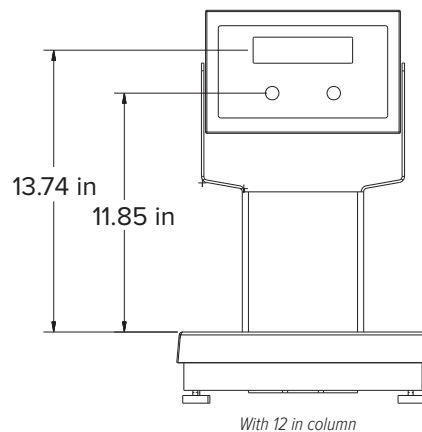
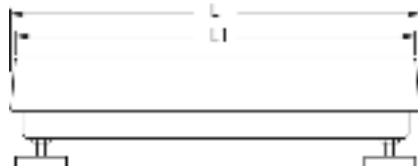


Measurement
Canada
Approved

Dimensions

| Platform Dimensions | L | L1 |
|---------------------|----------|-------|
| 10 × 10 in | 10.25 in | 10 in |
| 12 × 12 in | 12.25 in | 12 in |

Note: 1 in=25.4 mm



Part Number/Price

| Part # | Capacity | Platform Size* | Est. Weight | Price |
|---|--|----------------|-------------|------------|
| IQ plus 2100 with tilt stand - 115 VAC | | | | |
| 63053[†] | 5 × 0.001 lb (2.5 × 0.0005 kg) (2,500 × 0.5 g) (80 × 0.02 oz) | 10 × 10 in | 23 lb | \$1,385.00 |
| 63052[†] | 10 × 0.002 lb (5 × 0.001 kg) (5,000 × 1 g) (160 × 0.05 oz) | 10 × 10 in | 23 lb | \$1,385.00 |
| 63051[†] | 25 × 0.005 lb (10 × 0.002 kg) (10,000 × 2 g) (400 × 0.10 oz) | 10 × 10 in | 23 lb | \$1,385.00 |
| 63050[†] | 50 × 0.01 lb (25 × 0.005 kg) (25,000 × 5 g) (800 × 0.20 oz) | 12 × 12 in | 26 lb | \$1,475.00 |
| 63049[†] | 100 × 0.02 lb (50 × 0.01 kg) (50,000 × 10 g) (1,600 × 0.50 oz) | 12 × 12 in | 26 lb | \$1,475.00 |
| IQ plus 2100 with attachment bracket - 115 VAC | | | | |
| 63043[†] | 5 × 0.001 lb (2.5 × 0.0005 kg) (2,500 × 0.5 g) (80 × 0.02 oz) | 10 × 10 in | 23 lb | \$1,385.00 |
| 63042[†] | 10 × 0.002 lb (5 × 0.001 kg) (5,000 × 1 g) (160 × 0.05 oz) | 10 × 10 in | 23 lb | \$1,385.00 |
| 63041[†] | 25 × 0.005 lb (10 × 0.002 kg) (10,000 × 2 g) (400 × 0.10 oz) | 10 × 10 in | 23 lb | \$1,385.00 |
| 63040[†] | 50 × 0.01 lb (25 × 0.005 kg) (25,000 × 5 g) (800 × 0.20 oz) | 12 × 12 in | 26 lb | \$1,475.00 |
| 63039[†] | 100 × 0.02 lb (50 × 0.01 kg) (50,000 × 10 g) (1,600 × 0.50 oz) | 12 × 12 in | 26 lb | \$1,475.00 |
| IQ plus 2100 with 12 in column - 115 VAC | | | | |
| 63048[†] | 5 × 0.001 lb (2.5 × 0.0005 kg) (2,500 × 0.5 g) (80 × 0.02 oz) | 10 × 10 in | 25 lb | \$1,385.00 |
| 63047[†] | 10 × 0.002 lb (5 × 0.001 kg) (5,000 × 1 g) (160 × 0.05 oz) | 10 × 10 in | 25 lb | \$1,385.00 |
| 63046[†] | 25 × 0.005 lb (10 × 0.002 kg) (10,000 × 2 g) (400 × 0.10 oz) | 10 × 10 in | 25 lb | \$1,385.00 |
| 63045[†] | 50 × 0.01 lb (25 × 0.005 kg) (25,000 × 5 g) (800 × 0.20 oz) | 12 × 12 in | 28 lb | \$1,475.00 |
| 63044[†] | 100 × 0.02 lb (50 × 0.01 kg) (50,000 × 10 g) (1,600 × 0.50 oz) | 12 × 12 in | 28 lb | \$1,475.00 |



[†] NEMA 5-15 plug

IQ Plus® 2100SL

Digital Bench Scale



IQ plus 2100SL with attachment bracket



IQ plus 2100 with tilt stand

IQ plus 2100 with column



Standard Features

- NEMA Type 4X/IP66
- 304 stainless steel construction
- Large, bold 0.8-inch LED display
- Status annunciators: lb, kg, oz, g, negative, motion, center of zero
- One full-duplex RS-232 port
- Two digital inputs for remote zero, print and units
- 12-inch column, attachment bracket or tilt stand for table, wall or under counter mounting
- Aluminum, single-point load cell
- Overload and upload stops on scale base
- Stainless steel, non-tactile feel, piezo zero and units buttons
- Unit of measure: kg, gm, lb, oz, lb/oz (lb/oz is not Legal for Trade)
- PreVent™ breather vent
- Spring-loaded platform
- Factory calibrated

Specifications

Power:
Line Voltage 115 VAC

Frequency:
50/60 Hz

Power Consumption:
70 mA at 115 VAC (8 W)

Display Resolution:
10,000 graduations maximum

Digital Inputs:
Two inputs, TTL or switch closure, active-low

Scale Frame:
AISI304L, straight line finish, Ra=45 ± 10

Scale Cover:
AISI304L, straight line finish, Ra=45 ± 10

Serial Communications:
Full-duplex RS-232; 9600, 4800, 2400, 1200 bps; seven or eight data bits; even, odd or no parity

Display:
Six-digit LED display
Seven-segment, 0.8 in (20 mm) digits

LED Annunciators:
Negative value, center of zero, motion, kg, g, lb, oz

Keypad:
Two stainless steel piezo switches

Operating Temperature:
14 °F to 104 °F (-10 °C to 40 °C)

Rating/Material:
NEMA Type 4X/IP66, stainless steel

Load Cell:
Aluminum, environmentally sealed

Warranty:
Two-year limited

Approvals:
Indicator:
NTEP CC 00-045 Class III/IIIL 10,000 d
Measurement Canada, AM-5374;
UL and C-UL listed

Base:
NTEP CC 95-072, Class III 5,000 d

Approvals

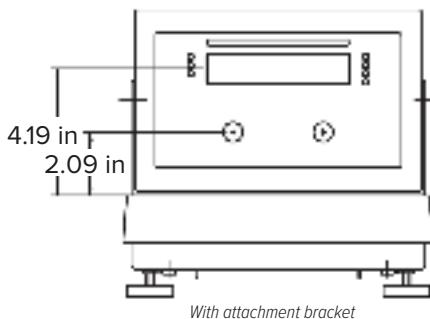
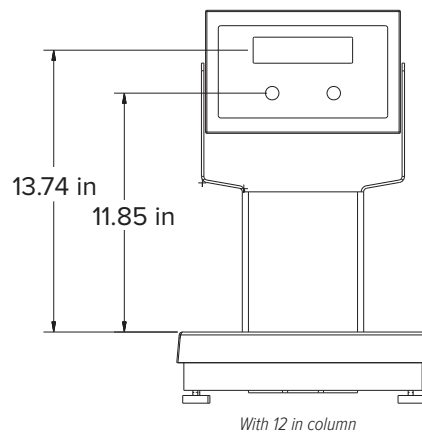
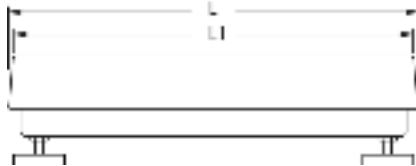


Measurement
Canada
Approved

Dimensions

| Platform Dimensions | L | L1 |
|---------------------|----------|-------|
| 10 × 10 in | 10.25 in | 10 in |
| 12 × 12 in | 12.25 in | 12 in |

Note: 1 in=25.4 mm



CHECKWEIGHERS

Part Number/Price

| Part # | Capacity | Platform Size* | Est. Weight | Price |
|---|--|----------------|-------------|------------|
| IQ plus 2100SL with tilt stand - 115 VAC | | | | |
| 65168 [†] | 5 × 0.001 lb (2.5 × 0.0005 kg) (2,500 × 0.5 g) (80 × 0.02 oz) | 10 × 10 in | 21 lb | \$1,435.00 |
| 65169 [†] | 10 × 0.002 lb (5 × 0.001 kg) (5,000 × 1 g) (160 × 0.05 oz) | 10 × 10 in | 21 lb | \$1,435.00 |
| 65170 [†] | 20 × 0.005 lb (10 × 0.002 kg) (10,000 × 2 g) (320 × 0.1 oz) | 10 × 10 in | 21 lb | \$1,435.00 |
| 65171 [†] | 30 × 0.01 lb (15 × 0.005 kg) (15,000 × 5 g) (480 × 0.1 oz) | 10 × 10 in | 21 lb | \$1,435.00 |
| 65172 [†] | 30 × 0.01 lb (15 × 0.005 kg) (15,000 × 5 g) (480 × 0.1 oz) | 12 × 12 in | 24 lb | \$1,525.00 |
| 65173 [†] | 50 × 0.01 lb (25 × 0.005 kg) (25,000 × 5 g) (800 × 0.20 oz) | 12 × 12 in | 24 lb | \$1,525.00 |
| 65174 [†] | 100 × 0.02 lb (50 × 0.01 kg) (50,000 × 10 g) (1,600 × 0.50 oz) | 12 × 12 in | 24 lb | \$1,525.00 |
| IQ plus 2100SL with attachment bracket - 115 VAC | | | | |
| 65175 [†] | 5 × 0.001 lb (2.5 × 0.0005 kg) (2,500 × 0.5 g) (80 × 0.02 oz) | 10 × 10 in | 21 lb | \$1,435.00 |
| 65176 [†] | 10 × 0.002 lb (5 × 0.001 kg) (5,000 × 1 g) (160 × 0.05 oz) | 10 × 10 in | 21 lb | \$1,435.00 |
| 65177 [†] | 20 × 0.005 lb (10 × 0.002 kg) (10,000 × 2 g) (320 × 0.1 oz) | 10 × 10 in | 21 lb | \$1,435.00 |
| 65178 [†] | 30 × 0.01 lb (15 × 0.005 kg) (15,000 × 5 g) (480 × 0.1 oz) | 10 × 10 in | 21 lb | \$1,435.00 |
| 65179 [†] | 30 × 0.01 lb (15 × 0.005 kg) (15,000 × 5 g) (480 × 0.1 oz) | 12 × 12 in | 24 lb | \$1,525.00 |
| 65180 [†] | 50 × 0.01 lb (25 × 0.005 kg) (25,000 × 5 g) (800 × 0.20 oz) | 12 × 12 in | 24 lb | \$1,525.00 |
| 65181 [†] | 100 × 0.02 lb (50 × 0.01 kg) (50,000 × 10 g) (1,600 × 0.50 oz) | 12 × 12 in | 24 lb | \$1,525.00 |
| IQ plus 2100SL with 12 in column - 115 VAC | | | | |
| 65182 [†] | 5 × 0.001 lb (2.5 × 0.0005 kg) (2,500 × 0.5 g) (80 × 0.02 oz) | 10 × 10 in | 23 lb | \$1,435.00 |
| 65183 [†] | 10 × 0.002 lb (5 × 0.001 kg) (5,000 × 1 g) (160 × 0.05 oz) | 10 × 10 in | 23 lb | \$1,435.00 |
| 65184 [†] | 20 × 0.005 lb (10 × 0.002 kg) (10,000 × 2 g) (320 × 0.1 oz) | 10 × 10 in | 23 lb | \$1,435.00 |
| 65185 [†] | 30 × 0.01 lb (15 × 0.005 kg) (15,000 × 5 g) (480 × 0.1 oz) | 10 × 10 in | 23 lb | \$1,435.00 |
| 65186 [†] | 30 × 0.01 lb (15 × 0.005 kg) (15,000 × 5 g) (480 × 0.1 oz) | 12 × 12 in | 26 lb | \$1,525.00 |
| 65187 [†] | 50 × 0.01 lb (25 × 0.005 kg) (25,000 × 5 g) (800 × 0.20 oz) | 12 × 12 in | 26 lb | \$1,525.00 |
| 65188 [†] | 100 × 0.02 lb (50 × 0.01 kg) (50,000 × 10 g) (1,600 × 0.50 oz) | 12 × 12 in | 26 lb | \$1,525.00 |



[†] NEMA 5-15 plug

CHECKWEIGHERS

CW-90

Over/Under Checkweigher



WeighVault
REVOLUTION
SCALE SOFTWARE

Specifications

Power AC:

Line Voltages: 115/230 VAC

Frequency:

50/60 Hz

Power Consumption:

1.5 A at 115 VAC (8 W)
0.75 A at 230 VAC (8 W)

Measurement Rate:

960, 480, 240, 120, 60, 30, 15, 7.5 per second

System Linearity:

±0.01% full scale

Digital I/O:

Four channels on CPU board

Circuit Protection:

RFI, EMI, ESD protection

Display:

Large 0.8 in, 14 segment, six digit high-intensity red LED display

Scale Frame:

AISI304L, straight line finish, Ra=45 ± 10

Scale Cover:

AISI304L, straight line finish, Ra=45 ± 10

Annunciators:

Designators for %, kg, gm, lb, oz, center of zero, G/B, N, T, PT, neg, motion

Operating Temperature:

Legal: 14 °F to 104 °F (-10 °C to 40 °C)

Rating/Material:

IP66, stainless steel

Resolution:

Display: 100,000

Load Cell:

Aluminum, environmentally sealed

Warranty:

Two-year limited

Approvals:

Indicator:

NTEP 08-092, Class III/IIIL 10,000 d
Measurement Canada AM-5710, Class III 10,000 d
OIML R76/2006-GBI-10.02
TC11569
cULus listed
CE marked

Scale:

NTEP 95-072, Class III 5,000 d
Measurement Canada AM-5082
NSF

Approvals



Measurement
Canada
Approved



EU
LEGAL
FOR TRADE
CERTIFIED



CHECKWEIGHERS

Standard Features

- Membrane keypad consisting of: zero, units, print, tare, over, under, ID, target, 0-9, clear, decimal, enter, menu, power
- 304 stainless steel, IP66 rated indicator
- PreVent™ breather vent
- Storage for up to 50 IDs
- Unit of measure: kg, gm, lb, oz, lb/oz (lb/oz is not Legal for Trade)
- High-intensity LED display
- Battery backed time and date
- Two full-duplex RS-232 serial ports
- Configurable print formats
- Audit trail tracking
- Optional communications: Ethernet, USB or fiber -optic
- Four configurable Digital I/O
- Reflash memory to upgrade firmware
- Auto-print capability
- Accumulator
- Factory calibrated

Scale

- Aluminum, environmentally sealed load cell
- 304 stainless steel
- Meets HACCP requirements
- Five-point overload protection

Part Number/Price

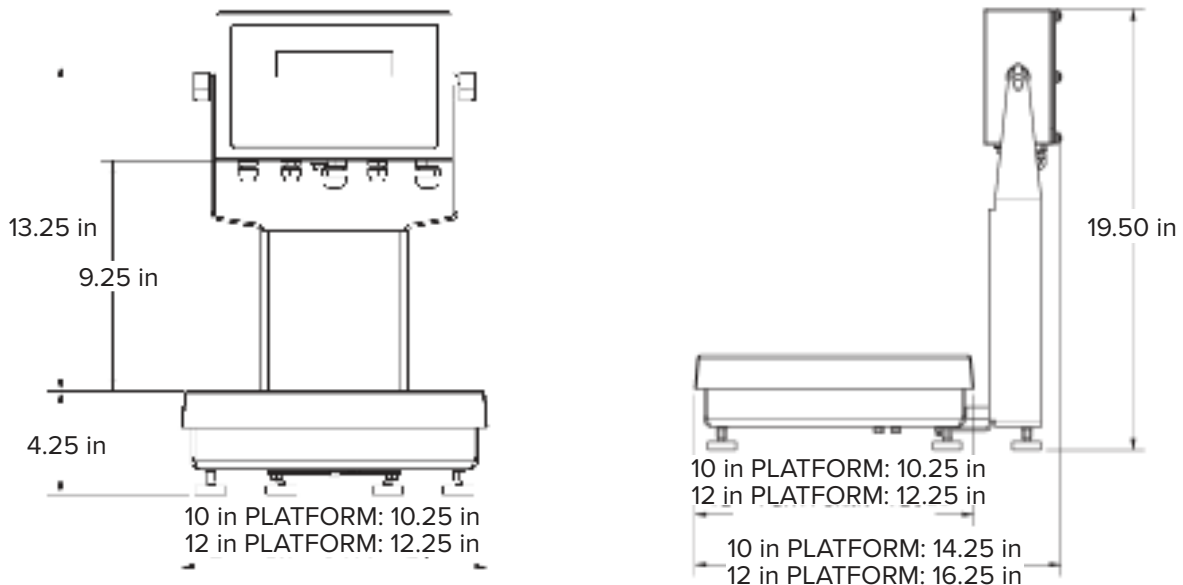
| Part # | Capacity | Platform Dimensions | Column Height | Est. Weight | Price |
|--|--|---------------------|---------------|-------------|------------|
| 115 VAC | | | | | |
| 105957 [†] | 5 × 0.001 lb (2.5 × 0.0005 kg) or (80 × 0.02 oz) | 10 × 10 × 4.25 in | 12 in | 29 lb | \$1,615.00 |
| 105958 [†] | 10 × 0.002 lb (5 × 0.001 kg) or (160 × 0.05 oz) | 10 × 10 × 4.25 in | 12 in | 29 lb | \$1,615.00 |
| 105959 [†] | 25 × 0.005 lb (10 × 0.002 kg) or (400 × 0.1 oz) | 10 × 10 × 4.25 in | 12 in | 29 lb | \$1,615.00 |
| 105960 [†] | 25 × 0.005 lb (10 × 0.002 kg) or (400 × 0.1 oz) | 12 × 12 × 4.25 in | 12 in | 33 lb | \$1,675.00 |
| 105961 [†] | 50 × 0.01 lb (25 × 0.005 kg) or (800 × 0.2 oz) | 12 × 12 × 4.25 in | 12 in | 33 lb | \$1,675.00 |
| 105962 [†] | 100 × 0.02 lb (50 × 0.01 kg) or (1,600 × 0.5 oz) | 12 × 12 × 4.25 in | 12 in | 33 lb | \$1,675.00 |
| 230 VAC | | | | | |
| 118891 [†] | 2.5 × 0.0005 kg (5 × 0.001 lb) or (80 × 0.02 oz) | 10 × 10 × 4.25 in | 12 in | 29 lb | \$1,615.00 |
| 118892 [†] | 5 × 0.001 kg (10 × 0.002 lb) or (160 × 0.05 oz) | 10 × 10 × 4.25 in | 12 in | 29 lb | \$1,615.00 |
| 118893 [†] | 10 × 0.002 kg (25 × 0.005 lb) or (400 × 0.1 oz) | 10 × 10 × 4.25 in | 12 in | 29 lb | \$1,615.00 |
| 118895 [†] | 10 × 0.002 kg (25 × 0.005 lb) or (400 × 0.1 oz) | 12 × 12 × 4.25 in | 12 in | 33 lb | \$1,675.00 |
| 118896 [†] | 25 × 0.005 kg (50 × 0.01 lb) or (800 × 0.2 oz) | 12 × 12 × 4.25 in | 12 in | 33 lb | \$1,675.00 |
| 118897 [†] | 50 × 0.01 kg (100 × 0.02 lb) or (1,600 × 0.5 oz) | 12 × 12 × 4.25 in | 12 in | 33 lb | \$1,675.00 |
| 230 VAC CE marked/OIML approved | | | | | |
| 106123 ^{††} | 3 × 0.001 kg | 254 × 254 × 108 mm | 305 mm | 13.2 kg | \$1,615.00 |
| 106124 ^{††} | 6 × 0.002 kg | 254 × 254 × 108 mm | 305 mm | 13.2 kg | \$1,615.00 |
| 106125 ^{††} | 15 × 0.005 kg | 254 × 254 × 108 mm | 305 mm | 13.2 kg | \$1,615.00 |
| 106126 ^{††} | 15 × 0.005 kg | 305 × 305 × 108 mm | 305 mm | 15 kg | \$1,675.00 |
| 106127 ^{††} | 30 × 0.01 kg | 305 × 305 × 108 mm | 305 mm | 15 kg | \$1,675.00 |
| 106128 ^{††} | 60 × 0.02 kg | 305 × 305 × 108 mm | 305 mm | 15 kg | \$1,675.00 |



Options/Accessories

| Part # | Description | Price |
|--------|--|----------|
| 200578 | Ethernet TCP/IP and cable with attached cord grip | \$440.00 |
| 77142 | Ethernet TCP/IP card | \$545.00 |
| 206272 | Wireless LAN card RS232/Wi-Fi 802.11 a/b | \$610.00 |
| 171968 | Firmware download cable | \$39.00 |
| 96736 | Fiber-optic board | \$250.00 |
| 78026 | Fiber-optic, duplex cable 100 ft | \$175.00 |
| 80892 | Fiber-optic cutter | \$12.00 |
| 117358 | WeighVault™ (requires part number 200578, 77142 or 206272) | \$265.00 |

Note: 1 in=25.4 mm



CHECKWEIGHERS

CW-90X

Over/Under Washdown Checkweigher



Specifications

Power AC:

Line Voltages: 115/230 VAC

Frequency:

50/60 Hz

Power Consumption:

1.5 A at 115 VAC (8 W)
0.75 A at 230 VAC (8 W)

Measurement Rate:

960, 480, 240, 120, 60, 30, 15, 7.5 per second

System Linearity:

±0.01% full scale

Digital I/O:

Four channels on CPU board

Circuit Protection:

RFI, EMI, ESD protection

Display:

Large 0.8 in, 14 segment, six digit high-intensity red LED display

Scale Frame:

AISI304L, straight line finish, Ra=45 ± 10

Scale Cover:

AISI304L, straight line finish, Ra=45 ± 10

Annunciators:

Designators for %, kg, gm, lb, oz, center of zero, G/B, N, T, PT, neg, motion

Operating Temperature:

Legal: 14 °F to 104 °F (-10 °C to 40 °C)

Rating/Material:

IP69K, stainless steel

Resolution:

Display: 100,000

Load Cell:

Stainless steel, hermetically sealed

Warranty:

Three-year limited

Approvals:

Indicator:

NTEP CC 08-092, Class III/IIIL 10,000 d
Measurement Canada AM-5710, Class III 10,000 d
OIML R76/2006-GBI-10.02
TC11569
cULus Listed
CE Marked

Scale:

NTEP CC 95-072, Class III 5,000 d
Measurement Canada AM-5082
NSF

Approvals



Measurement
Canada
Approved



EU
LEGAL
FOR TRADE
CERTIFIED



CHECKWEIGHERS

Standard Features

- Piezo keypad consisting of: zero, units, print, tare, over, under, ID, target, enter, menu, power
- 304 stainless steel, IP69K rated indicator
- PreVent™ breather vent
- Storage for up to 50 IDs
- Unit of measure: kg, gm, lb, oz, lb/oz (lb/oz is not Legal for Trade)
- High-intensity LED display
- Battery backed time and date
- Two full-duplex RS-232 serial ports
- Configurable print formats
- Audit trail tracking
- Optional communications: Ethernet, USB or Fiber-optic
- Four configurable Digital I/O
- Reflash memory to upgrade firmware
- Auto print capability
- Accumulator
- Factory calibrated

Scale Base

- IP69K, stainless steel, hermetically sealed load cell
- 304 stainless steel
- Meets HACCP requirements
- Five point overload protection

Part Number/Price

| Part # | Capacity | Platform Dimensions | Column Height | Est. Weight | Price |
|--|--|---------------------|---------------|-------------|------------|
| 115 VAC | | | | | |
| 105963 [†] | 5 × 0.001 lb (2.5 × 0.0005 kg) or (80 × 0.02 oz) | 10 × 10 × 4.25 in | 12 in | 29lb | \$2,197.00 |
| 105965 [†] | 10 × 0.002 lb (5 × 0.001 kg) or (160 × 0.05 oz) | 10 × 10 × 4.25 in | 12 in | 29lb | \$2,197.00 |
| 105966 [†] | 25 × 0.005 lb (10 × 0.002 kg) or (400 × 0.1 oz) | 10 × 10 × 4.25 in | 12 in | 29lb | \$2,197.00 |
| 105967 [†] | 25 × 0.005 lb (10 × 0.002 kg) or (400 × 0.1 oz) | 12 × 12 × 4.25 in | 12 in | 33lb | \$2,287.00 |
| 105968 [†] | 50 × 0.01 lb (25 × 0.005 kg) or (800 × 0.2 oz) | 12 × 12 × 4.25 in | 12 in | 33lb | \$2,287.00 |
| 105969 [†] | 100 × 0.02 lb (50 × 0.01 kg) or (1,600 × 0.5 oz) | 12 × 12 × 4.25 in | 12 in | 33lb | \$2,287.00 |
| 230 VAC | | | | | |
| 118899 [†] | 2.5 × 0.0005 kg (5 × 0.001 lb) or (80 × 0.02 oz) | 10 × 10 × 4.25 in | 12 in | 29lb | \$2,197.00 |
| 118900 [†] | 5 × 0.001 kg (10 × 0.002 lb) or (160 × 0.05 oz) | 10 × 10 × 4.25 in | 12 in | 29lb | \$2,197.00 |
| 118901 [†] | 10 × 0.002 kg (25 × 0.005 lb) or (400 × 0.1 oz) | 10 × 10 × 4.25 in | 12 in | 29lb | \$2,197.00 |
| 118902 [†] | 10 × 0.002 kg (25 × 0.005 lb) or (400 × 0.1 oz) | 12 × 12 × 4.25 in | 12 in | 33lb | \$2,287.00 |
| 118903 [†] | 25 × 0.005 kg (50 × 0.01 lb) or (800 × 0.2 oz) | 12 × 12 × 4.25 in | 12 in | 33lb | \$2,287.00 |
| 118904 [†] | 50 × 0.01 kg (100 × 0.02 lb) or (1,600 × 0.5 oz) | 12 × 12 × 4.25 in | 12 in | 33lb | \$2,287.00 |
| 230 VAC CE marked/OIML approved | | | | | |
| 106129 ^{††} | 3 × 0.001 kg | 254 × 254 × 108 mm | 305 mm | 13.2 kg | \$2,197.00 |
| 106130 ^{††} | 6 × 0.002 kg | 254 × 254 × 108 mm | 305 mm | 13.2 kg | \$2,197.00 |
| 106131 ^{††} | 15 × 0.005 kg | 254 × 254 × 108 mm | 305 mm | 13.2 kg | \$2,197.00 |
| 106132 ^{††} | 15 × 0.005 kg | 305 × 305 × 108 mm | 305 mm | 15 kg | \$2,287.00 |
| 106133 ^{††} | 30 × 0.01 kg | 305 × 305 × 108 mm | 305 mm | 15 kg | \$2,287.00 |
| 106134 ^{††} | 60 × 0.02 kg | 305 × 305 × 108 mm | 305 mm | 15 kg | \$2,287.00 |



NEMA 5-15 plug

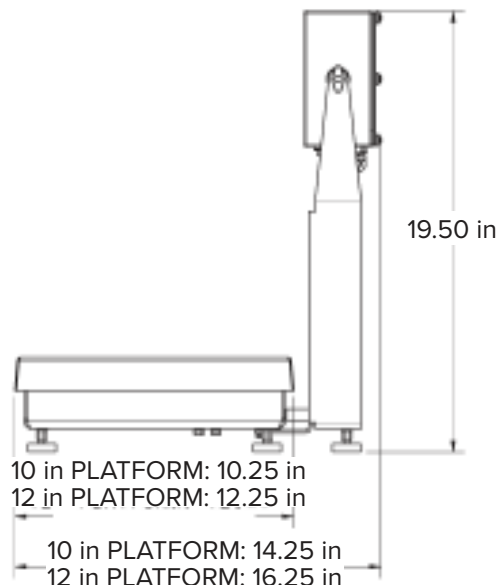
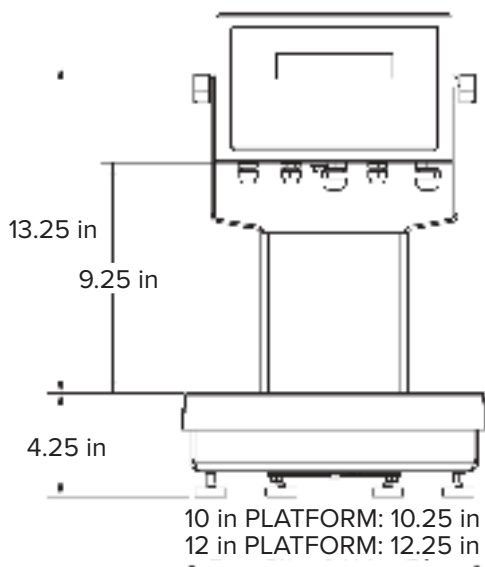


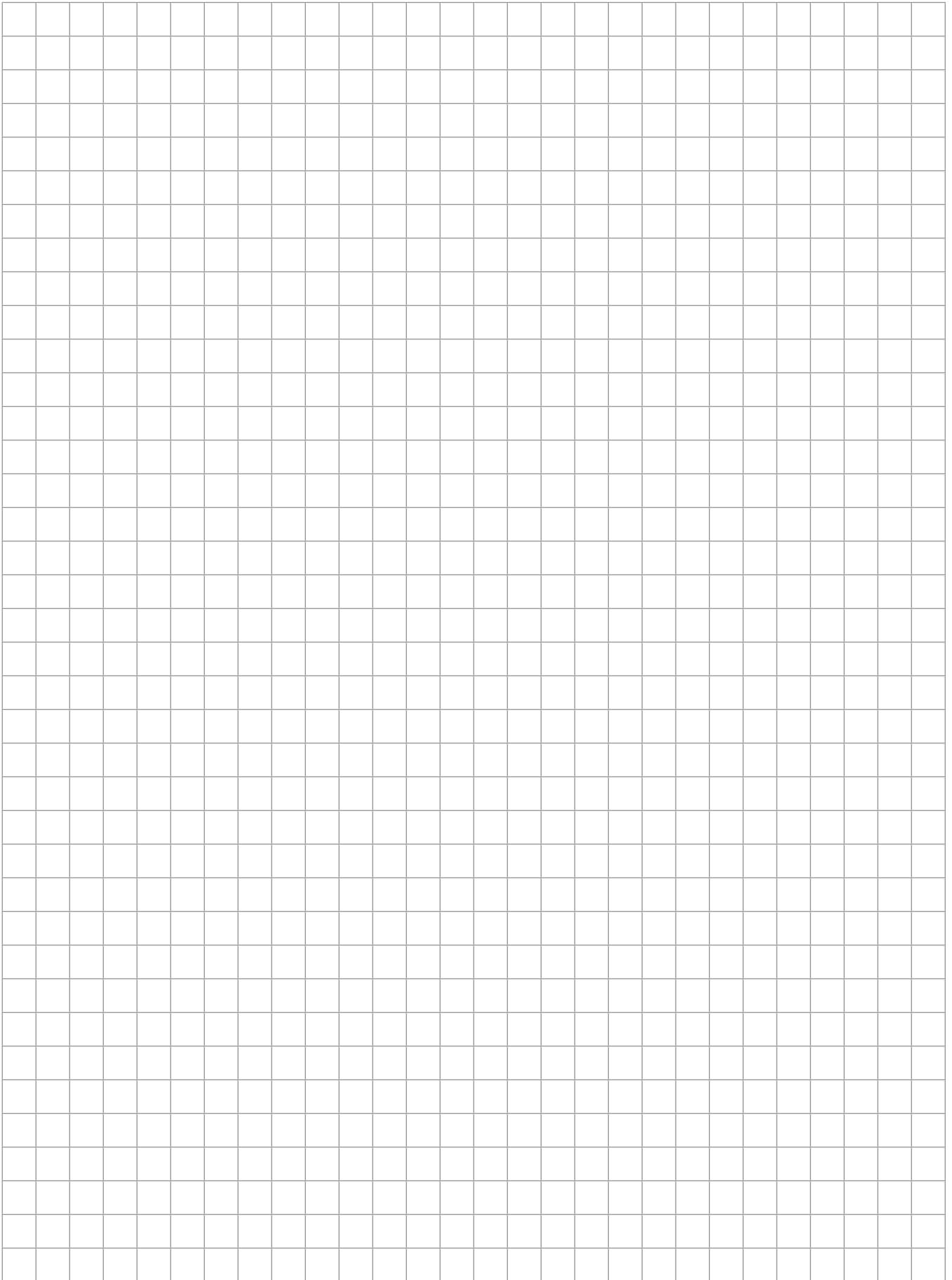
CEE 7/7 plug

Options/Accessories

| Part # | Description | Price |
|--------|--|----------|
| 200578 | Ethernet TCP/IP and cable with attached cord grip | \$440.00 |
| 77142 | Ethernet TCP/IP card | \$545.00 |
| 206272 | Wireless LAN card RS232/Wi-Fi 802.11 a/b | \$610.00 |
| 171968 | Firmware download cable | \$39.00 |
| 96736 | Fiber-optic board | \$250.00 |
| 78026 | Fiber-optic, duplex cable 100 ft | \$175.00 |
| 80892 | Fiber-optic cutter | \$12.00 |
| 117358 | WeighVault™ (requires part number 200578, 77142 or 206272) | \$265.00 |

Note: 1 in=25.4 mm





Concrete Batch Controllers

TABLE OF CONTENTS

1280 FlexWeigh Systems
Concrete Batcher 324
Decumulative/Accumulative Batcher
Concrete Batcher Questionnaire..... 326

**CONCRETE BATCH
CONTROLLERS**

Product names, logos, brands and other trademarks featured or referred to within this publication are the property of their respective trademark holders.

1280 FlexWeigh Systems Concrete Batcher

Decumulative/Accumulative Batcher



Specifications

Power:

100 to 240 VAC; 50/60 Hz

Excitation Voltage:

10 VDC (± 0.5 Volts)

16 \times 350 ohm or 32 \times 700 ohm load cells per A/D card

Analog Signal Input Range:

-60 mV to 60 mV

Analog Signal Sensitivity:

0.3 μ V/graduation minimum at 7.5 to 120 Hz

1.0 μ V/graduation recommended

A/D Sample Rate:

7.5 to 960 Hz, software selectable

Resolution:

Internal: 8,000,000 counts

Display: 1,000,000

System Linearity:

$\pm 0.01\%$ full scale

Communication Ports:

Port 1 & 2: Full duplex RS-232 with CTS/RTS, RS-422/485

Baud Rate: 1200 to 115200

Port 3: USB 2.0 Device (Micro)

USB Host: (2) Type A Connectors max 500 mA

Ethernet: Wired 10/100 Auto-MDX

Ethernet: Wireless 802.11 b/g/n 2.4 GHz

On board:

Selectable filters: Three stage, adaptive or damping

Embedded Linux[®] OS

8 GB eMMC (system use)

1 GB DDR3 RAM

460 MB onboard database (SQLite) storage

Up to 32 GB micro SD card

Display:

12-inch, 1280 \times 800 pixel, 1,500 NIT

Temperature:

Certified: 14 $^{\circ}$ F to 104 $^{\circ}$ F (-10 $^{\circ}$ C to 40 $^{\circ}$ C)

Operating: -4 $^{\circ}$ F to 131 $^{\circ}$ F (-20 $^{\circ}$ C to 55 $^{\circ}$ C)

Rating/Material:

Painted mild steel enclosure

NEMA Type 4; IP66

Dimensions:

20 \times 20 \times 8 in

Warranty:

Two-year limited

EMC Immunity:

EN 50082 Part 2 IEC

EN 61000-4-2, 3, 4, 5, 6, 8, 11

Standard Features

- Powered by 1280 Enterprise Series indicator
- Large color touchscreen display
- Remote batching through web server integration
- Front panel control switches and emergency stop
- Automatic or manual batching modes
- Configurable from two to five scales (one to two cement scales, and one to three material bins)
- Up to four admixes (bottled or direct)
- Manual entry of moisture compensation percentage
- Metered water controlled by onboard DIO
- Import/export databases via USB, Revolution[®] or Interchange software
- Configurable batch transaction ticket
- Storage for 1,000 transactions, 1,000 mix designs, 500 customers
- Available with English or Spanish operation and in imperial or metric measurements

Options

- Desktop stand
- Sun visor

Part Number/Price

| Part # | Description | Price |
|--------|----------------------|-------------|
| 208907 | Decumulative batcher | \$15,950.00 |
| 216733 | Accumulative batcher | \$16,950.00 |
| 212392 | Sun visor | \$500.00 |
| 212234 | Desktop kiosk stand | \$450.00 |

CONCRETE BATCH
CONTROLLERS

1280 FlexWeigh Systems Concrete Batcher

Decumulative/Accumulative Batcher

| Front Panel Switches | | |
|----------------------|----------------------|----------------------|
| | Decumulative Batcher | Accumulative Batcher |
| Auto/Manual | x | x |
| E-Stop | x | x |
| Conveyor Start/Run* | x | x |
| Bin 1* | x | x |
| Bin 2* | x | x |
| Bin 3* | x | x |
| Cement 1* | x | x |
| Cement 2* | x | x |
| Water* | x | x |
| Admix 1* | x | x |
| Admix 2* | x | x |
| Admix 3* | x | x |
| Admix 4* | x | x |
| Aggregate Hopper | | x |
| Cement Hopper | | x |

* Available in Manual Mode

| Outputs | | |
|-----------------------|----------------------|----------------------|
| | Decumulative Batcher | Accumulative Batcher |
| Conveyor Start/Run | x | x |
| Alarm/Horn | x | x |
| Bin 3 Vibrator | x | |
| Bin 3 Feed | x | x |
| Admixture 1 Fil/Feed | x | x |
| Admixture 1 Discharge | x | x |
| Admixture 2 Fil/Feed | x | x |
| Admixture 2 Discharge | x | x |
| Admixture 3 Fil/Feed | x | x |
| Admixture 3 Discharge | x | x |
| Admixture 4 Fil/Feed | x | x |
| Admixture 4 Discharge | x | x |
| Bin 1 Feed | x | x |
| Bin 2 Feed | x | x |
| Cement 1 Feed | x | x |
| Cement 2 Feed | x | x |
| Water Feed | x | x |
| Bin 1 Vibrator | x | x |
| Bin 2 Vibrator | x | |
| Cement 1 Air | x | x |
| Cement 2 Air | x | x |
| Dust Collector 1 | x | x |
| Dust Collector 2 | x | x |
| Aggregate Vibrator | | x |
| Cement Vibrator | | x |
| Aggregate Air | | x |
| Water Discharge | | x |
| Aggregate Gate Open | | x |
| Aggregate Gate Close | | x |
| Cement Gate Open | | x |
| Cement Gate Close | | x |

| Inputs | | |
|-----------------------------|----------------------|----------------------|
| | Decumulative Batcher | Accumulative Batcher |
| Admixture 1 Bottle Empty | x | x |
| Admixture 1 Pulse | x | x |
| Admixture 2 Bottle Empty | x | x |
| Admixture 2 Pulse | x | x |
| Admixture 3 Bottle Empty | x | x |
| Admixture 3 Pulse | x | x |
| Admixture 4 Bottle Empty | x | x |
| Admixture 4 Pulse | x | x |
| Manual Mode | x | x |
| Air Pressure OK | x | x |
| E-Stop | x | x |
| Water Meter Pulse | x | x |
| Conveyor Running | x | x |
| Water Gate Limit Switch | | x |
| Aggregate Gate Limit Switch | | x |
| Cement Gate Limit Switch | | x |

CONCRETE BATCH
CONTROLLERS

Concrete Batcher Questionnaire



GENERAL INFORMATION:

1. Primary units for batching controller: Imperial Metric
2. Plant batch size requirements (cubic units): _____ Maximum _____ Minimum
3. Aggregate scale _____ Capacity × _____ Divisions
- Cement scale _____ Capacity × _____ Divisions
5. Weigh Ticket information (example shown), include any custom information needed:

Ticket #: 3
Customer: Rice Lake Weighing Systems
Truck #: 1258

Mix ID: 1
Mix Name: Test
Quantity: 1.0 CY

| Ingredient | Target | Actual | %ERROR |
|------------|--------|---------|---------|
| Sand | 95 lb | 7930 lb | 8247.4% |
| Stone2 | 196 lb | 210 lb | 7.1% |
| Stone1 | 291 lb | 2810 lb | 865.6% |
| Cement | 100 lb | 250 lb | 150.0% |
| FlyAsh | 200 lb | 250 lb | 25.0% |
| Admix 1 | 10 oz | 11 oz | 10.0% |
| Admix 2 | 5 oz | 7 oz | 40.0% |
| Admix 3 | 6 oz | 6 oz | 0.0% |
| Admix 4 | 7 oz | 6 oz | -14.3% |
| Water | 20 gal | 20 gal | 0.0% |

04:08 AM 12/13/2021

NOTE: When it comes to concrete batching systems, software modifications are often necessary. Some common modifications are available as options. These questions will help us determine if the standard product will need custom software modifications.

6. Batching tracking required: Inventory usage Current inventory

INPUT REQUIREMENTS:

Please indicate all the applicable inputs for this system.

- | | |
|--|---|
| <input type="checkbox"/> Admix 1 Bottle Empty | <input type="checkbox"/> Admix 1 Pulse Meter |
| <input type="checkbox"/> Admix 2 Bottle Empty | <input type="checkbox"/> Admix 2 Pulse Meter |
| <input type="checkbox"/> Admix 3 Bottle Empty | <input type="checkbox"/> Admix 3 Pulse Meter |
| <input type="checkbox"/> Admix 4 Bottle Empty | <input type="checkbox"/> Admix 4 Pulse Meter |
| <input type="checkbox"/> Water Pulse Meter | <input type="checkbox"/> Conveyor Running |
| <input type="checkbox"/> Aggregate Gate Limit Switch | <input type="checkbox"/> Cement Gate Limit Switch |
| <input type="checkbox"/> Water Gate Limit Switch | <input type="checkbox"/> Manual Mode |
| <input type="checkbox"/> Air Pressure OK | <input type="checkbox"/> E-Stop |

Any additional 120V or 240V input requirements not mentioned in the previous list (such as sensors, switches, limit switches, photo eyes)? Please specify any extra requirements here:

OUTPUT REQUIREMENTS:

Please indicate all the applicable outputs for this system.

- | | |
|--|---|
| <input type="checkbox"/> Cement 1 Feed | <input type="checkbox"/> Cement 2 Feed |
| <input type="checkbox"/> Bin 1 Feed | <input type="checkbox"/> Bin 2 Feed |
| <input type="checkbox"/> Bin 3 Feed | <input type="checkbox"/> Bin 1 Vibrator |
| <input type="checkbox"/> Bin 2 Vibrator | <input type="checkbox"/> Bin 3 Vibrator |
| | |
| <input type="checkbox"/> Cement 1 Air | <input type="checkbox"/> Cement 2 Air |
| <input type="checkbox"/> Water Fill | |
| <input type="checkbox"/> Cement Discharge Gate Open | <input type="checkbox"/> Cement Discharge Gate Close |
| <input type="checkbox"/> Aggregate Discharge Gate Open | <input type="checkbox"/> Aggregate Discharge Gate Close |
| <input type="checkbox"/> Cement Hopper Vibrator | <input type="checkbox"/> Aggregate Hopper Vibrator |
| <input type="checkbox"/> Conveyor Start/Run | <input type="checkbox"/> Dust Collector 1 |
| <input type="checkbox"/> Water Discharge | <input type="checkbox"/> Dust Collector 2 |
| <input type="checkbox"/> Alarm/Horn | |
| <input type="checkbox"/> Admix 1 Fill | <input type="checkbox"/> Admix 2 Fill |
| <input type="checkbox"/> Admix 3 Fill | <input type="checkbox"/> Admix 4 Fill |
| <input type="checkbox"/> Admix 1 Discharge | <input type="checkbox"/> Admix 2 Discharge |
| <input type="checkbox"/> Admix 3 Discharge | <input type="checkbox"/> Admix 4 Discharge |

Are there any additional 120V or 240V output requirements that were not covered in the previous list (including but not limited to air solenoids, vibrators, aerators, motor starters, horns, lights)?
Please specify any extra requirements here:

WEIGHING AND MOVING AGGREGATES AND CEMENTS:

1. Does the plant use the same weigh hopper to weigh aggregates and cements? Yes No
(If yes, explain order of adds)
2. Does the plant weigh aggregate or cement by loss in weight? Yes No
(surge/holding hopper is on load cells)
3. What is the total number of weigh hoppers for the plant? _____ Aggregate _____ Cement
4. Apart from a feed gate and gravity, does the aggregate require any equipment to move it from a surge bin into the weigh hopper?
5. List equipment used to move aggregate into the truck or mixer:
6. List equipment used to move cement from silo into weigh-hopper:
7. List equipment used to move cement from weigh-hopper into the truck/mixer:
8. **Aggregate** discharge gate only requires power to open and closes automatically when power is removed?
 Yes No (inching gate)
Limit switch for aggregate discharge gate? Yes No
9. **Cement** discharge gate only requires power to open and closes automatically when power is removed?
 Yes No (inching gate)
Limit switch for aggregate discharge gate? Yes No

ADMIXTURES AND WATER

1. Water: Weighed or Metered

2. How many water supplies?

Separate water meters? Yes No

Describe:

3. Does the process use more than **two** water additions,

Front- and Tail-water? Yes No

Describe:

4. If a water reservoir is used, does it have only one (1) discharge valve?

If so, how is the wash down water added?

5. How and when is water metered/added to the mix?

Single, separate piece of equipment

Other:

6. How many admixtures does this system use? (Note: four is the default maximum)

7. Is a single separate piece of equipment used to meter and discharge the admixture?

If so, how and when is this device activated?

DRAWING OF PLANT

A drawing helps show system integration and design. Please include the location of all moving parts (gates, conveyors, augers), sensors, load cells, bins, silos, water and admixture lines.

Counting Scales

TABLE OF CONTENTS

| | |
|---|------------|
| Rice Lake Counterpart® | 334 |
| <i>Configurable Counting Indicator</i> | |
| DIGI® S-YC Series | 336 |
| <i>Remote Scale Base Platforms</i> | |
| DIGI® DC-788 Series | 337 |
| <i>Industrial Counting Scales</i> | |
| DIGI® DC-782 Series | 338 |
| <i>Portable Counting Scales</i> | |
| DIGI® DMC-782 Series | 338 |
| <i>Portable Coin Counting Scales</i> | |
| A&D® Weighing HC-i Series | 339 |
| <i>Industrial Counting Scales</i> | |
| A&D® Weighing FC-i/Si Series | 339 |
| <i>High Resolution Counting Scales</i> | |
| OHAUS® Ranger™ Count 3000 | 340 |
| <i>Industrial Counting Scales</i> | |

The following product names, logos, brands and other trademarks featured or referred to within this publication are the property of their respective trademark holders.

Rice Lake Counterpart®

Configurable Counting Indicator



Approvals



Measurement
Canada
Approved



Standard Features

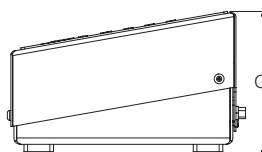
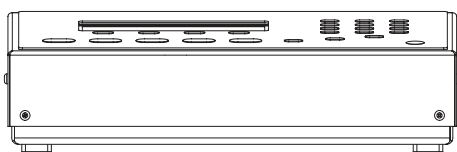
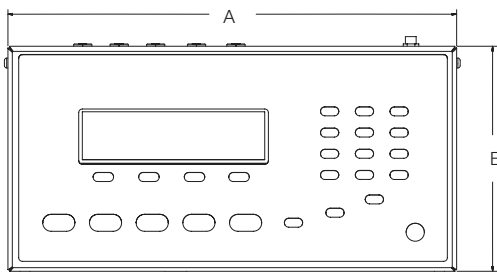
- AC operated (battery operation is optional)
- LCD graphic transmissive display for indoor viewing
- Single- or dual-channel models with serial scale input
- Mix and match platforms with console
- Four setpoint outputs for counting
- Two RS-232 ports for connecting peripherals
- Ethernet TCP/IP
- Scanner input (RS-232)
- PC software utility (Revolution®) for setup
- 150 item memory

Options

- Wireless LAN
- Rechargeable battery
- USB connection for keyboard
- WeighVault™ software for ID entry, data registers and reports

Dimensions

| Rice Lake Counterpart | | | |
|-----------------------|-------------------|---|------------------|
| A | 12.30 in (312 mm) | C | 3.94 in (100 mm) |
| B | 6.17 in (157 mm) | | |



Specifications

Power Source:

Input: 100 to 240 VAC, 47/63 Hz, 5 watts
U.S. power cord
Output: 9 to 12 V, 1.5 A max

Excitation Voltage:

5 VDC

Analog Signal Input Range:

0 to 4.5 mV/V

Analog Specifications:

Grad minimum: .3 μ V/grad
Input sensitivity: 1.5 μ V/grad recommended
Zero adjustment range: 0 to 100% or per region settings
A/D conversion rate: 7.5, 15, 30 samples per second
Load cells per scale: 8 \times 350 ohm; 16 \times 700 ohm
Scale channels: 1 or 2
Linearity: \pm 0.017 full scale

Circuit Protection:

RFI, EMI, ESD protection

Digital I/O:

Four

Display:

Viewing area: 240 \times 64 pixels, transmissive VGA liquid crystal display (LCD) with adjustable contrast

Keys/Buttons:

24 buttons, full keypad (alpha numeric)

Resolution:

Internal: 1,000,000 counts
Display: up to 100,000

Communications Ports:

Two RS-232 ports support up to 115,200 bps
20 mA
Ethernet port
Setpoint output

Annunciators:

PCS, motion, low battery, insuff, recomp, scale number, gross, net, zero

Units of Measure:

lb, kg, g, oz

Prints:

Standard EPL label format; format is changeable to work with virtually any printer

Battery (optional):

Type: Lithium-ion
Charge time: 6 to 8 hours
Charge cycles: 400 to 1,200
Estimated runtime: 24 to 32 hours with one 350 ohm load cell base

Temperature:

Operating: 32 °F to 104 °F (0 °C to 40 °C)

Humidity:

85%

Dimensions:

(L \times W \times H)
Indicator only
12.25 \times 6.25 \times 4.00 in
(311 \times 159 \times 102 mm)

Warranty:

Two-year limited

Approvals:

NTEP Certified CC 12-110
CE Marked
UL Listed
Measurement Canada AM-5918C

Part Number/Price

| Part # | Model # | Capacity | Platter Dimensions | Est. Weight | Price |
|---|----------------------------------|---------------------------------|-----------------------------|-----------------|------------|
| 118788 | CP single-channel indicator | Console only | — | 10 lb (4.5 kg) | \$1,050.00 |
| 120770 | CP dual-channel indicator | Console only | — | 10 lb (4.5 kg) | \$1,080.00 |
| 132429 | CP single-channel, EU power cord | Console only | — | 10 lb (4.5 kg) | \$1,050.00 |
| 132431 | CP dual-channel, EU power cord | Console only | — | 10 lb (4.5 kg) | \$1,080.00 |
| Single Channel with DIGI® S-YC base system and bracket | | | | | |
| 155089 | CP-1 | 1 × 0.0001 lb (500 × 0.05 g) | 7.9 × 5.6 in (200 × 142 mm) | 35 lb (15.9 kg) | \$1,450.00 |
| 155090 | CP-2 | 2 × 0.0002 lb (1 × 0.0001 kg) | 9.6 × 6.9 in (244 × 175 mm) | 35 lb (15.9 kg) | \$1,450.00 |
| 155092 | CP-5 | 5 × 0.0005 lb (2.5 × 0.0002 kg) | 13.4 × 11 in (341 × 284 mm) | 35 lb (15.9 kg) | \$1,395.00 |
| 155094 | CP-10 | 10 × 0.001 lb (5 × 0.0005 kg) | 13.4 × 11 in (341 × 284 mm) | 35 lb (15.9 kg) | \$1,395.00 |
| 155097 | CP-25 | 25 × 0.002 lb (10 × 0.001 kg) | 13.4 × 11 in (341 × 284 mm) | 35 lb (15.9 kg) | \$1,395.00 |
| 155101 | CP-50 | 50 × 0.005 lb (25 × 0.002 kg) | 13.4 × 11 in (341 × 284 mm) | 35 lb (15.9 kg) | \$1,395.00 |
| Dual Channel with DIGI S-YC base system and bracket (second channel available for use with other bases) | | | | | |
| 155115 | CP-1 | 1 × 0.0001 lb (500 × 0.05 g) | 7.9 × 5.6 in (200 × 142 mm) | 35 lb (15.9 kg) | \$1,500.00 |
| 155116 | CP-2 | 2 × 0.0002 lb (1 × 0.0001 kg) | 9.6 × 6.9 in (244 × 175 mm) | 35 lb (15.9 kg) | \$1,500.00 |
| 155117 | CP-5 | 5 × 0.0005 lb (2.5 × 0.0002 kg) | 13.4 × 11 in (341 × 284 mm) | 35 lb (15.9 kg) | \$1,470.00 |
| 155118 | CP-10 | 10 × 0.001 lb (5 × 0.0005 kg) | 13.4 × 11 in (341 × 284 mm) | 35 lb (15.9 kg) | \$1,470.00 |
| 155119 | CP-25 | 25 × 0.002 lb (10 × 0.001 kg) | 13.4 × 11 in (341 × 284 mm) | 35 lb (15.9 kg) | \$1,470.00 |
| 155120 | CP-50 | 50 × 0.005 lb (25 × 0.002 kg) | 13.4 × 11 in (341 × 284 mm) | 35 lb (15.9 kg) | \$1,470.00 |
| Dual Channel with BenchMark™ base system and bracket (second channel available for use with other bases) | | | | | |
| 125113 | CP-50BM | 50 × 0.01 lb (20 × 0.005 kg) | 12 × 18 in (305 × 457 mm) | 45 lb (20.4 kg) | \$1,525.00 |
| 125116 | CP-100BM | 100 × 0.02 lb (50 × 0.01 kg) | 12 × 18 in (305 × 457 mm) | 45 lb (20.4 kg) | \$1,525.00 |

Options/Accessories

| Part # | Description | Price |
|------------------------|--|----------|
| 124692 | Rechargeable lithium-ion battery option | \$310.00 |
| 53828 | 14-pin Y-cable, connects 2 remote DIGI bases | \$90.00 |
| 32375 | Connector, 14-pin Amphenol load cell (can be soldered to home run cable) | \$21.00 |
| 125062 | Ethernet quick access coverplate for Counterpart | \$21.00 |
| 130537 | USB connection for USB keyboard only | \$160.00 |
| 179211 | QWERTY keyboard, USB interface (requires 130537 USB interface option) | \$47.50 |
| 125079 | Quick access 9-pin cover plate | \$10.50 |
| 120767 | Quick access 14-pin Amphenol cover plate | \$15.75 |
| 125495 | Wireless LAN card Wi-Fi 802.11 a/b, optional kit | \$600.00 |
| 125546 | WeighVault™ software for Counterpart | \$265.00 |
| 118677 | Operators manual (Part #129606 Spanish operator's manual) | \$26.50 |
| 121459 | Front mount bracket for Rice Lake BenchMark™ scales, S-XL bases | \$53.00 |
| 154700 | Front mount bracket for DIGI S-YC scales | \$53.00 |
| 121474 | Firmware download cable | \$37.00 |
| 121501 | Stand, angled free standing for tabletop | \$84.00 |
| 128063 | Power supply, 12 V (power cord sold separately) | \$58.00 |
| 15438 | Power cord | \$25.00 |
| Printers/Cables | | |
| 167515 | GoDEX DT2x printer, 2 in direct thermal, 203 dpi, real time clock 110/240 VAC | \$365.00 |
| 65617 | Direct thermal label, (W × L): 2.25 × 4.5 in, 1 in core, 5 in OD perfed | \$17.50 |
| 41276 | Cable DB9M to blunt end RS-232 cable for DT2 | \$77.00 |
| 78860 | Ethernet cross cable for direct connection to WeighVault™ | \$40.00 |
| Scanner | | |
| 225024 | Kit, QuickScan QD2131 RS-232 scanner, cable stand and DB9 quick connect cable (supplies power to scanner, can reduce battery run time) | \$430.00 |



DIGI® Scale Base



Shown with BenchMark® Scale Base and Bracket

DIGI® S-YC Series

Remote Scale Base Platforms



Part Number/Price

| Part # | Capacity | Est. Weight | Price |
|--------|---------------|-----------------|----------|
| 154835 | 500 g (1 lb) | 7.7 lb (3.5 kg) | \$775.00 |
| 154836 | 1 kg (2 lb) | 7.7 lb (3.5 kg) | \$775.00 |
| 154838 | 2.5 kg (5 lb) | 11 lb (5 kg) | \$700.00 |
| 154839 | 5 kg (10 lb) | 11 lb (5 kg) | \$700.00 |
| 154840 | 10 kg (20 lb) | 11 lb (5 kg) | \$700.00 |
| 154841 | 25 kg (50 lb) | 11 lb (5 kg) | \$700.00 |

Standard Features

- Stainless steel platter
- ABS injection-molded plastic base
- Single-point strain gauge load cell
- Adjustable legs
- Leveling bubble
- 14-pin connector on three-meter cable

Specifications

Output Impedance:

350 ± 5 ohm

Insulation Resistance:

> 500 megohm

Rated Output:

1.0016 mV/V

Load Cell Type:

K-Type DIGI cell

Load Cell Cable Length:

118 in (3 m)

Load Cell Color Code:

Green +Output
Yellow -Output
Black Shield
White -Input
Red +Input

Temperature:

Operating:
14 °F to 104 °F (-10 °C to 40 °C)

Dimensions:

13.4 × 11.1 × 3.5 in
(341 × 284 × 90 mm)

Platter Dimensions:

500 g: 7.9 × 5.6 in (201 × 143 mm)
1 kg: 9.6 × 6.9 in (244 × 177 mm)
2.5 to 25 kg: 13.4 × 11.1 in (341 × 284 mm)

Warranty:

Two-year limited



Approvals



Standard Features

- Auto-recomputing function
- Negative sampling and counting (count out of a full container)
- Bright green LED
- Simultaneous weight display, unit weight, tare and quantity
- Net/gross weight display
- Lb/kg weight display conversion
- Full-duplex RS-232 output to PC or printer
- AC or rechargeable battery operation (battery optional)
- Choice of unit weight per thousand or average piece weight
- Remote scale capability
- 100 product look up registers
- NTEP for non-counting applications
- Remote scale interface

Specifications

Power:

AC: 115 VAC, 60 Hz
Optional battery: 6 V, 5.0 Ah

Battery Operation:

24 hours of continuous usage

Internal Resolution:

1/1,000,000

Weight Display Resolution:

1/5,000 NTEP, other selections capacity dependent

Display:

LED
Weight: Five-digit
Unit weight: Five-digit
Quantity: Seven-digit
Tare: Five-digit

Charge Time:

8 to 10 hours

Zero Adjust Range:

± 127% full scale

Input Sensitivity:

0.4 to 4 mV/V

Load Cell Excitation:

5 VDC

Number of Scale Channels:

One local
One remote

Memory Items:

100 items

Load Cell Input Connector:

Amphenol 14-Pin

Computer Interface:

RS-232 DB-9M connection

Temperature:

Operating:
23 °F to 104 °F (-5 °C to 40 °C)

Dimensions:

(L × W × H)
14.00 × 13.75 × 4.50 in
(354 × 349 × 115 mm)

Platter Dimensions:

2 lb: 7 × 10 in (178 × 254 mm)
10 to 100 lb: 10 × 13 in (254 × 330 mm)

Warranty:

Two-year limited

Approvals:

NTEP 07-015
(10 to 100 lb) Class III for weigh mode only
10 to 100 lb scales only

Part Number/Price

| Part # | Capacity | Weighing Resolution | Est. Weight | Price |
|---------|----------------|-----------------------|--------------|------------|
| 88928 * | 2 lb (1 kg) | 0.0002 lb (0.0001 kg) | 15 lb (7 kg) | \$875.00 |
| 88929 | 10 lb (5 kg) | 0.002 lb (0.001 kg) | 15 lb (7 kg) | \$875.00 |
| 88930 | 25 lb (10 kg) | 0.005 lb (0.002 kg) | 15 lb (7 kg) | \$875.00 |
| 88931 | 50 lb (25 kg) | 0.01 lb (0.005 kg) | 15 lb (7 kg) | \$875.00 |
| 88932 | 100 lb (50 kg) | 0.02 lb (0.01 kg) | 15 lb (7 kg) | \$1,095.00 |

*Non-NTEP

Options/Accessories

| Part # | Description | Price |
|-------------------------------------|---|----------|
| 88933 | Rechargeable battery—lead acid type | \$80.00 |
| 73386 | Anti-static sample tray | \$26.00 |
| 32375 | 14-pin load cell connector, Amphenol (remote base, non-DIGI) | \$21.00 |
| 35319 | 14-pin load cell connector with 20 ft cable | \$72.00 |
| 91685 | Additional operating and service manual | \$26.00 |
| 70056 | Nine-pin printer cable to DT4, G500 | \$40.00 |
| 72440 | Nine-pin printer cable to Epson TM-U220/TM-U295 SP512 | \$67.00 |
| 66535 | Nine-pin cable to PC, null modem cable, to be used with Zebra printers | \$46.00 |
| 91214 | AC adapter 110-230 VAC, U.S. plug | \$46.00 |
| DIGI S-YC Remote Scale Bases | | |
| 154835 | Base,S-YC 500g (1 lb) 7.9 x 5.6 in (201 x 143 mm) Platter, 3 m (118 in) Cable | \$775.00 |
| 154836 | Base,S-YC 1 kg (2.5 lb) 9.6 x 6.9 in (244 x 177 mm) Platter, 3 m (118 in) Cable | \$775.00 |
| 154838 | Base,S-YC 2.5 kg (5 lb) 13.4 x 11.1 in (341 x 284 mm) Platter, 3 m (118 in) Cable | \$700.00 |
| 154839 | Base,S-YC 5kg (10 lb) 13.4 x 11.1 in (341 x 284 mm) Platter, 3 m (118 in) Cable | \$700.00 |
| 154840 | Base,S-YC 10kg (25 lb) 13.4 x 11.1 in (341 x 284 mm) Platter, 3 m (118 in) Cable | \$700.00 |
| 154841 | Base,S-YC 25kg (50 lb) 13.4 x 11.1 in (341 x 284 mm) Platter, 3 m (118 in) Cable | \$700.00 |
| Printers | | |
| 212409 | Zebra ZD421D, direct thermal printer. | \$699.00 |
| 212406 | Zebra ZD421T, thermal transfer printer | \$745.00 |
| 132425 | Godex G500, 4 in direct/thermal transfer, 110/240 VAC printer | \$615.00 |
| 65617 | Label, 2.25 in × 4.5 in, direct thermal | \$17.50 |

DIGI® DC-782 Series

Portable Counting Scales



Standard Features

- LCD with yellow backlight
- 10 preset keys for product ID
- 25 item memory
- Buzzer - low, ok, high

Specifications

Power:

AC: 120 VAC power supply (U.S. power cord)
Optional battery: Rechargeable

Battery Operation:

Charge time: 12 to 14 hours
Estimated runtime: 300 hours (no backlight)

Internal Resolution:

1/500,000

Weight Display Resolution:

1/7,500 or 1/6,000

Display:

Liquid crystal display (LCD) with backlight
Weight: five-digit
Unit weight: five-digit
Quantity: six-digit

Number of Scale Channels:

One local

Memory Items:

25

Temperature:

Operating:
14 °F to 104 °F (-10 °C to 40 °C)

Dimensions:

(L × W × H)
13.78 × 13.22 × 4.88 in
(350 × 336 × 124 mm)

Platter Size:

12.00 × 8.90 in
(305 × 226 mm)

Warranty:

Two-year limited

Part Number/Price

| Part # | Capacity | Est. Weight | Price |
|--------|-------------------------------|--------------|----------|
| 108248 | 6 × 0.001 lb (3 × 0.0005 kg) | 11 lb (5 kg) | \$557.00 |
| 108249 | 15 × 0.002 lb (6 × 0.001 kg) | 11 lb (5 kg) | \$557.00 |
| 108250 | 30 × 0.005 lb (15 × 0.002 kg) | 11 lb (5 kg) | \$557.00 |
| 108251 | 60 × 0.01 lb (30 × 0.005 kg) | 11 lb (5 kg) | \$557.00 |

Options/Accessories

| Part # | Description | Price |
|--------|--------------------------|----------|
| 108516 | Rechargeable battery | \$50.00 |
| 108518 | AC adapter 110 - 230 VAC | \$50.00 |
| 109429 | Manual | \$26.00 |
| 73296 | Carrying case | \$205.00 |

DIGI® DMC-782 Series

Portable Coin Counting Scales



Standard Features

- Liquid crystal display (LCD) with yellow backlight
- 18 preset keys for product ID
- Programmable denomination unit weight and tare weight
- Accumulation
- Toggle display: count and money value
- Total amount calculation utilizing reverse counting

Options

- Rechargeable battery
- Carrying case

Specifications

Power:

AC: 120 AC power supply
Optional battery: rechargeable

Battery Operation:

Charge time: 12 to 14 hours
Battery life: 300 hours (no backlight)

Internal Resolution:

1/500,000

Weight Display Resolution:

1/7,500 or 1/6,000

Display:

LCD with backlight
Weight: five-digit
Denomination: five-digit
Quantity/Amount: six-digit

Number of Scale Channels:

One local

Memory Items:

18

Temperature:

Operating:
14 °F to 104 °F (-10 °C to 40 °C)

Dimensions:

(L × W × H)
13.7 × 13.2 × 4.8 in
(350 × 336 × 124 mm)

Platter Size:

(L × W)
8.90 × 12.00 in
(255 × 300 mm)

Warranty:

Two-year limited

Part Number/Price

| Part # | Capacity | Est. Weight | Price |
|--------|------------------------------|--------------|----------|
| 111317 | 6 × 0.001 lb (3 × 0.0005 kg) | 11 lb (5 kg) | \$610.00 |
| 111318 | 15 × 0.002 lb (6 × 0.001 kg) | 11 lb (5 kg) | \$610.00 |
| 111319 | 60 × 0.01 lb (30 × 0.005 kg) | 11 lb (5 kg) | \$610.00 |

Options/Accessories

| Part # | Description | Price |
|--------|--|----------|
| 15438 | Power cord | \$25.00 |
| 111781 | Manual | \$26.00 |
| 108516 | Rechargeable battery | \$50.00 |
| 73296 | Carrying case, hard shell with locking latches | \$205.00 |

A&D® Weighing HC-i Series

Industrial Counting Scales



Standard Features

- Sealed removable display unit
- Automatic Counting Accuracy Improvement (ACAI)
- Audible Weighing Assist beeping function (AWA)
- Display function - Hi/OK/Lo
- Accumulation function
- Full-digital calibration function
- Auto power-off function

Options

- Rechargeable battery
- RS-232C

Specifications

Power Source:

AC adapter or optional SLA battery

Internal Resolution:

HC-3 Ki, 6 Ki, 30 Ki: 1/600,000
HC-15 Ki: 1/750,000

Display:

Seven-segment LCD
Character height: pcs 18.6 mm
Unit weight: 11.4 mm

Operating Time:

Approximately 80 hours without interface

Number of Scale Channels:

One local

Memory Items:

99 weight registers

Temperature:

Operating:
14 °F to 104 °F (-10 °C to 40 °C)

Dimensions:

(L × W × H)
12.40 × 13.00 × 5.00 in
(315 × 331 × 126 mm)

Platter Size:

11.8 × 8.3 in (300 × 211 mm)

Warranty:

Two-year limited

Part Number/Price

| Part # | Model # | Capacity | Est. Weight | Price |
|--------|----------|-------------------------------|--------------|----------|
| 112837 | HC-3 Ki | 6 × 0.001 lb (3 × 0.0005 kg) | 11 lb (5 kg) | \$840.00 |
| 112838 | HC-6 Ki | 15 × 0.002 lb (6 × 0.001 kg) | 11 lb (5 kg) | \$840.00 |
| 112839 | HC15 Ki | 30 × 0.005 lb (15 × 0.002 kg) | 11 lb (5 kg) | \$840.00 |
| 112840 | HC-30 Ki | 60 × 0.01 lb (30 × 0.005 kg) | 11 lb (5 kg) | \$840.00 |

Options/Accessories

| Part # | Model # | Description | Price |
|--------|---------|---------------------------------------|---------|
| 112841 | HC-03 i | RS-232C for HC-i | \$95.00 |
| 112842 | HC-06 i | Rechargeable battery pack | \$53.00 |
| 97766 | TB:662 | AC adapter, 120 V, standard with unit | \$47.50 |

A&D® Weighing FC-i/Si Series

High Resolution Counting Scales



Standard Features

- Seven segment vacuum fluorescent display (VFD)
- LED keypad prompting for intuitive operator use
- Automatic Counting Accuracy Improvement (ACAI)
- Display function - Hi/Ok/Lo
- Rugged aluminum die-cast frame with splash-proof display and keyboard

Options

- Remote scale

Specifications

Power Source (included):

110 VAC 50/60 Hz AC adapter
230 VAC 50/60 Hz AC adapter

Internal Resolution:

Si Series: 1/5,000,000
FC-i Series: 1/1,000,000

Number of Scale Channels:

One local
One remote (optional)

Memory Items:

500 ID - six-digit ID, unit weight, tare weight, comparator limits, accumulator and 12-digit ID name

Weight Sensor:

Si: Super hybrid sensor (SHS)
FC-i: Strain gauge load cell

Temperature:

Operating:
Si: 41 °F to 104 °F (5 °C to 40 °C)
FC-i: 14 °F to 104 °F (-10 °C to 40 °C)

Dimensions:

(L × W × H)
13.0 × 18.2 × 4.6 in
(330 × 462 × 117 mm)

Est. Weight:

108351 to 108357 15 lb
108358 17 lb

Warranty:

Two-year limited

Part Number/Price

| Part # | Model # | Capacity | Min Sample Weight | Pan Size | Price |
|--------|-----------|--------------------------------|-------------------|-----------------------------|------------|
| 108351 | FC-500Si | 1 × 0.00005 lb (500 g × .02 g) | 0.0001g | 5 × 5 in (127 × 127 mm) | \$2,080.00 |
| 108352 | FC-5000Si | 10 × 0.0005 lb (5 kg × .2 g) | 0.001g | 6.5 × 6.5 in (165 × 165 mm) | \$2,080.00 |
| 108353 | FC-1000i | 2 × 0.0002 lb (1 kg × .1g) | 0.001g | 8 × 6 in (203 × 152 mm) | \$1,530.00 |
| 108354 | FC-2000i | 5 × 0.0005 lb (2 kg × .2g) | 0.002g | 11.8 × 11 in (300 × 279 mm) | \$1,530.00 |
| 108355 | FC-5000i | 10 × 0.001 lb (5 kg × .5g) | 0.005g | 11.8 × 11 in (300 × 279 mm) | \$1,530.00 |
| 108356 | FC-10Ki | 20 × 0.002 lb (10 kg × 1g) | 0.01g | 11.8 × 11 in (300 × 279 mm) | \$1,530.00 |
| 108357 | FC-20Ki | 50 × 0.005 lb (20 kg × 2g) | 0.02g | 11.8 × 11 in (300 × 279 mm) | \$1,530.00 |
| 108358 | FC-50Ki | 100 × 0.01 lb (50 kg × 5g) | 0.05g | 11.8 × 11 in (300 × 279 mm) | \$1,530.00 |

Options/Accessories

| Part # | Model # | Description | Price |
|--------|---------|---------------------------------------|----------|
| 108360 | FC-05i | Remote scale connection | \$175.00 |
| 97613 | TB:636 | AC adapter 120 V - standard with unit | \$47.50 |
| 97631 | TB:164 | AC adapter 240 V | \$69.00 |

COUNTING SCALES

OHAUS® Ranger™ Count 3000

Industrial Counting Scales



Standard Features

- Weigh in kilograms, pounds, grams or ounces
- 30-item data storage
- Three backlit LCD display windows
- RS-232 output
- Quick stabilization

Options

- Ethernet
- Remote scale

Specifications

Power:

100 to 240 VAC, 50 to 60 Hz internal universal power supply

Resolution:

Internal: 1/500,000

Display:

Seven-segment 1/30,000, six-digit

Number of Scale Channels:

One local
One remote (optional)

Memory Items:

(30) 12-digit part number, average piece weights, check counting or checkweighing parameters, tare weights, accumulated weights or counts

Battery:

Lead acid, 210 hours, 12 hours recharge

Temperature:

Operating:
14 °F to 104 °F (-10 °C to 40 °C)

Dimensions:

(L × W × H)
12.2 × 12.9 × 4.6 in
(311 × 327 × 117 mm)

Platter Size:

11.8 × 8.9 in (300 × 225 mm)

Approvals:

NTEP Certified 13-022 3000 e
CAN/CSA-C22.2 No. 61010-1-04
UL Std. No. 61010-1 (2nd edition)

Warranty:

One-year limited

Approvals



Part Number/Price

| Part # | Model # | Capacity | Est. Weight | Price |
|--------|-----------|---|-----------------|------------|
| 157273 | RC31P1502 | 3 × 0.0001 lb (1.5 × 0.00005 kg) (48 × 0.002 oz) (1,500 × 0.05 g) | 12 lb (5.45 kg) | \$1,075.00 |
| 157275 | RC31P3 | 6 × 0.0002 lb (3 × 0.0001 kg) (96 × 0.05 oz) (3,000 × 0.1 g) | 12 lb (5.45 kg) | \$1,075.00 |
| 157277 | RC31P6 | 15 × 0.0005 lb (6 × 0.0002 kg) (240 × 0.01 oz) (6,000 × 0.2 g) | 12 lb (5.45 kg) | \$1,075.00 |
| 157278 | RC31P15 | 30 × 0.001 lb (15 × 0.0005 kg) (480 × 0.02 oz) (15,000 × 0.5 g) | 12 lb (5.45 kg) | \$1,075.00 |
| 157279 | RC31P30 | 60 × 0.002 lb (30 × 0.001 kg) (960 × 0.05 oz) (30,000 × 1 g) | 12 lb (5.45 kg) | \$1,075.00 |

Options/Accessories

| Part # | Description | Price |
|--------|--------------------------------|----------|
| 157280 | Remote second scale option kit | \$168.00 |
| 154638 | Ethernet kit | \$168.00 |

Dimensioning

TABLE OF CONTENTS

| | |
|--|------------|
| iDimension® Plus | 342 |
| <i>Parcel Static Dimensioning System</i> | |
| iDimension® Flex Series | 347 |
| <i>Pallet and Box Static Dimensioning System</i> | |
| iDimension® PWD System | 349 |
| <i>Pallet Weighing and Dimensioning System</i> | |
| iDimension® LTL / LTL XL | 351 |
| <i>Pallet Dimensioning System</i> | |
| iDimension® SS | 354 |
| <i>Integration Software</i> | |

Product names, logos, brands and other trademarks featured or referred to within this publication are the property of their respective trademark holders.

iDimension® Plus

Parcel Static Dimensioning System

DIMENSIONING



Standard Features

- iDim Plus package 1 includes: base plate, telescoping pole assembly, touchscreen display, calibration object, US power cord, operating manual and assembly toolkit
- iDim Plus package 2 includes: package 1 components and a 150 lb Bench Pro shipping scale
- iDim Plus package 3 includes: dimensioning head (without pole), 10 ft Ethernet cable, USB display, calibration object, US power cord and operations manual
- No special package placement requirements
- Capable to dimension opaque packaging
- Measurement capabilities beyond Legal for Trade limits
- High resolution color image, 1920 × 1080 resolution color camera

Options

- iDimension SS (Software Suite)
- iDimension Desktop Wedge programs for data integration
- Wired or wireless USB barcode scanner
- Rice Lake BenchPro shipping/postal scales
- Rice Lake 680 and 1280 indicators available for automation applications

Specifications

Power Requirements:

110 to 240 VAC

Communication Ports:

- (2) USB A
- (1) 10/100/1000 Base-T Ethernet
- Wi-Fi 802.11 ac

Display:

10 in (254 mm) touchscreen monitor

Accuracy:

Certified Legal for Trade at 0.2 in (5 mm)

Software Integration:

Simple API network integration through HTTP requests, status checking and XML parsing

Temperature:

Certified: 32 °F to 95 °F (0 °C to 35 °C)

Humidity:

Non-condensing

Warranty:

Two-year limited

Approvals:

- NTEP
- OIML
- CE
- EU MID
- FCC

Approvals



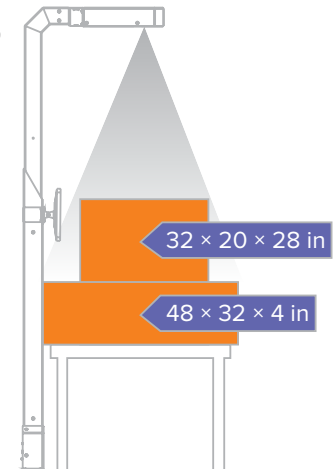
Legal for Trade Minimum and Maximum Measurement Capability

| Platform Distance | 48 in (1.2m) | | 1.5 m | | 2 m XL | |
|-------------------|----------------|------------------|------------------|------------------|----------------|------------------|
| Min/Max * | Min | Max | Min | Max | Min | Max |
| Length | 2.4 in (50 mm) | 39 in (1,000 mm) | 2.4 inch (50 mm) | 48 in (1,200 mm) | 4 in (100 mm) | 48 in (1,200 mm) |
| Width | 2.4 in (50 mm) | 24 in (600 mm) | 2.4 inch (50 mm) | 32 in (800 mm) | 4 in (100 mm) | 32 in (800 mm) |
| Height | 2.4 in (50 mm) | 24 in (600 mm) | 2.4 inch (50 mm) | 28 in (700 mm) | 4 in (100 mm) | 32 in (800 mm) |
| Division | 0.2 in (5 mm) | | 0.2 in (5 mm) | | 0.5 in (10 mm) | |

*With RGB assist enabled smaller measurements are possible

Largest Box Measurement Capability for Max Length vs. Max Height

| | Pole Assembly Height | Minimum LFT Box Size | Maximum LFT Box Size |
|-----------------------------|----------------------|--------------------------------------|---------------------------------------|
| Largest Box with Max Height | 48 in (1.2m) | 2.4 × 2.4 × 2.4 in (50 × 50 × 50 mm) | 24 × 14 × 24 in (600 × 350 × 600 mm) |
| Largest Box with Max Length | 48 in (1.2m) | 2.4 × 2.4 × 2.4 in (50 × 50 × 50 mm) | 39 × 24 × 8 in (1,000 × 240 × 200 mm) |
| Largest Box with Max Height | 60 in (1.5m) | 2.4 × 2.4 × 2.4 in (50 × 50 × 50 mm) | 32 × 20 × 28 in (800 × 500 × 700 mm) |
| Largest Box with Max Length | 60 in (1.5m) | 2.4 × 2.4 × 2.4 in (50 × 50 × 50 mm) | 48 × 32 × 4 in (1,200 × 800 × 100 mm) |



Part Numbers/Price

| Part # | Description | Price |
|--------|---|------------|
| 226071 | Package 1 iDimension Plus for stand alone applications | \$7,995.00 |
| 226086 | Package 2 iDimension Plus with 150 lb BenchPro shipping scale | \$9,060.00 |
| 226070 | Package 3 iDimension Plus without pole | \$6,295.00 |

Options/Accessories

| Part # | Description | Price |
|--------|-------------|-------|
|--------|-------------|-------|

Kit Mounting Options

| | | |
|--------|--|------------|
| 174660 | Floor stand for 2 meter sensor height over a work surface or conveyor. Includes pn 206583 hardware and cable, and pn 184262 display RAM mounting kit | \$1,720.00 |
| 198708 | Mounting hardware and cable assembly kit with 25 ft North American power cord | \$175.00 |
| 206583 | Mounting hardware and cable assembly kit without power cord | \$175.00 |
| 184262 | iDimension USB operator display RAM® mount kit | \$145.00 |

Accessories

| | | |
|--------|---|------------|
| 225778 | Portable cart, 24 × 48 in with flush shelves for iDim Plus, writing shelf and storage pocket. 2 rigid, 2 swivel 9 in pneumatic wheels, 1,200 lb capacity | \$2,305.00 |
| 225776 | Portable power supply for mobile cart. 1500 watts with AC inverter and 3 120VAC outlets, two USB-A, two USB-C ports. Digital display with battery life, current draw and hours remaining. Recharge in 5 hours | \$1,795.00 |
| 180007 | Powered Industrial USB 4-Port Hub with USB cable | \$280.00 |
| 222125 | Power cord, detachable, German/French, 2.5 m, CEE 7/7, Type E plug | \$25.00 |
| 95589 | Power cord, detachable, UK, 2.5 m, BS1363 Type G plug | \$25.00 |
| 162630 | Power cord, detachable, AU / NZ, 2.5 m, 1332 Type 1 plug | \$55.00 |
| 178501 | RS-232/USB cable, for use with compatible indicators | \$60.00 |
| 180771 | Shipping software integration kit includes four-port industrial USB hub, power adapter and USB cables to connect computer and dimensioner | \$430.00 |

Barcode Scanner

| | | |
|--------|--|------------|
| 206225 | Wireless Honeywell 1981IFR-3USB-5-N long-range barcode scanner | \$1,800.00 |
| 206228 | Power supply for PN 206225 | \$75.00 |

Optional Integration Solutions

| | | |
|--------|--|------------|
| 203010 | iDimension Desktop Wedge requires Windows 10 or newer (Available for free download at www.ricelake.com) | N/C |
| 175812 | iDimension SS (software suite) web server software requires Windows 10 or newer | \$2,250.00 |

Factory Service and Support

| | | |
|--------|--|---------------|
| 202027 | Up to 2 hours iDim Plus remote support, includes initial configuration and scale setup, iDimension Desktop Wedge installation and operator training. | \$250.00/Unit |
| 224425 | One-time license fee at time of purchase. | \$595.00 |

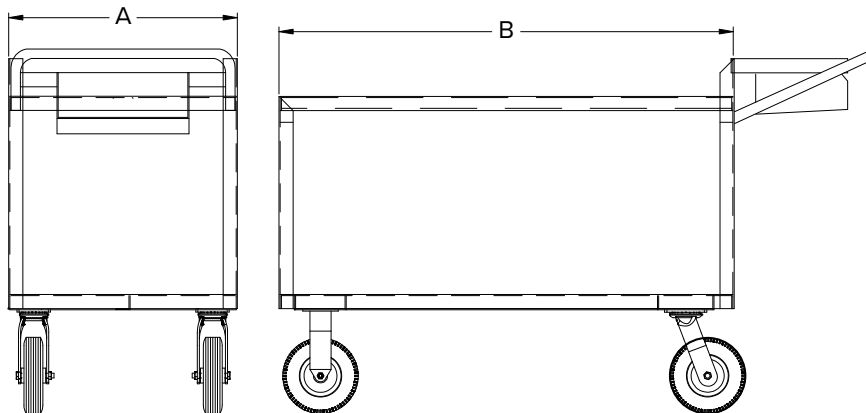
Extended Warranty – Two-year standard

| | | |
|--------|---|----------|
| 202030 | iDimension Plus one-year optional extended warranty | \$750.00 |
|--------|---|----------|

Dimensions

Portable Cart

| | | | |
|---|---------------------|---|---------------------|
| A | 63.20 in (1,605 mm) | B | 60.20 in (1,529 mm) |
|---|---------------------|---|---------------------|



Portable cart



Shown with ELS (Elevated Load Cell Stand) legs found on page 604, conveyor not included

iDimension® Plus

Parcel Static Dimensioning System

DIMENSIONING

Part Numbers/Price

| Rice Lake BenchPro Compatible Scales | | |
|---|---|------------|
| Postal Scale 12 × 14 in (305 × 356 mm) Weigh Platter | | |
| 194625 * | Model BP 1214-35P - 70 lb × 0.2 oz (35 kg × 0.01 kg), multi-range and multi-interval postal scale, painted mild steel weigh platter | \$725.00 |
| Shipping Scale 12 × 14 in (305 × 356 mm) Weigh Platter | | |
| 184585 | Model BP 1214-75S, 150 × 0.05 lb (75 × 0.02 kg), painted mild steel weigh platter | \$725.00 |
| Shipping Scale 18 × 18 in (457 × 457 mm) Weigh Platter | | |
| 202191 | Model BP 1818-75S, 150 × 0.05 lb (75 × 0.02 kg), painted mild steel weigh platter | \$1,590.00 |
| 201730 | Model BP 1818-75S, 150 × 0.05 lb (75 × 0.02 kg), ball top weigh platter | \$1,835.00 |
| 202190 | Model BP 1818-75S, 150 × 0.05 lb (75 × 0.02 kg), roller conveyor weigh platter | \$1,650.00 |
| Shipping Scale 20 × 20 in (508 × 508 mm) Weigh Platter | | |
| 182396 | Model BP 2020-150S, 300 × 0.1 lb (150 × 0.05 kg), painted mild steel weigh platter | \$1,805.00 |
| 182397 | Model BP 2020-150S, 300 × 0.1 lb (150 × 0.05 kg), ball top weigh platter | \$2,035.00 |
| 182398 | Model BP 2020-150S, 300 × 0.1 lb (150 × 0.05 kg), roller conveyor weigh platter | \$1,769.00 |
| Shipping Scale 24 × 24 in (610 × 610 mm) Weigh Platter | | |
| 182400 | Model BP 2424-150S, 300 × 0.1 lb (150 × 0.05 kg), painted mild steel weigh platter | \$2,005.00 |
| 182401 | Model BP 2424-150S, 300 × 0.1 lb (150 × 0.05 kg), ball top weigh platter | \$2,240.00 |
| 182402 | Model BP 2424-150S, 300 × 0.1 lb (150 × 0.05 kg), roller conveyor weigh platter | \$1,939.00 |

*USB HID interface not available when in the postal scale lb/oz mode



Model BP 1214-S with mild steel weigh platter



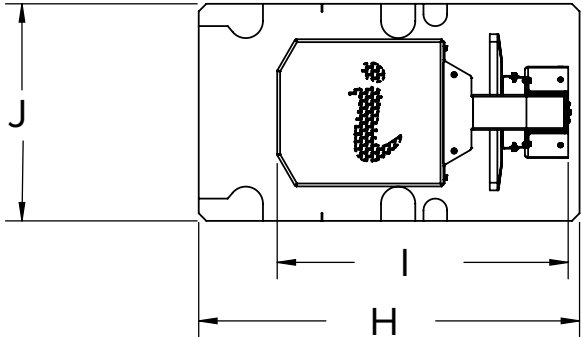
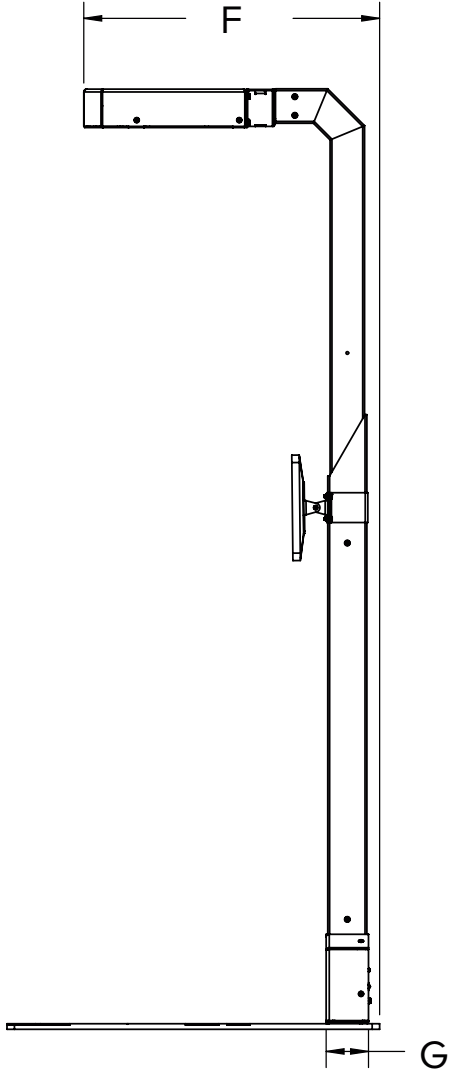
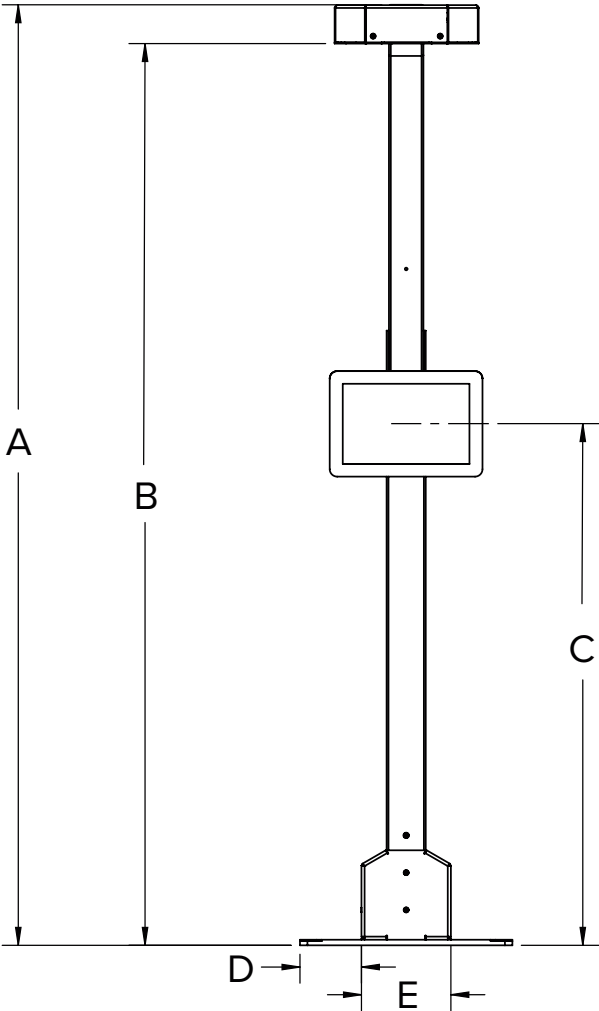
Model BP 1818-S with ball top weigh platter



Model BP 2424-S with roller conveyor weigh platter

Dimensions

| iDimension Plus | | | |
|-----------------|---------------------|---|-------------------|
| A | 63.10 in (1,603 mm) | F | 19.85 in (504 mm) |
| B | 60.50 in (1,537 mm) | G | 2.84 in (72 mm) |
| C | 35.00 in (889 mm) | H | 25.00 in (635 mm) |
| D | 4.13 in (105 mm) | I | 19.10 in (485 mm) |
| E | 6.00 in (152 mm) | J | 14.25 in (362 mm) |



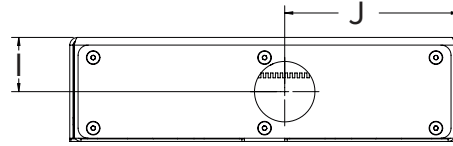
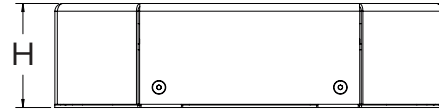
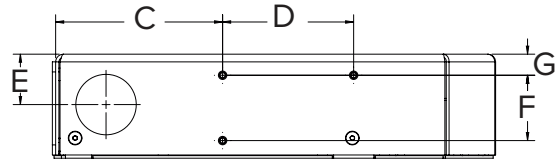
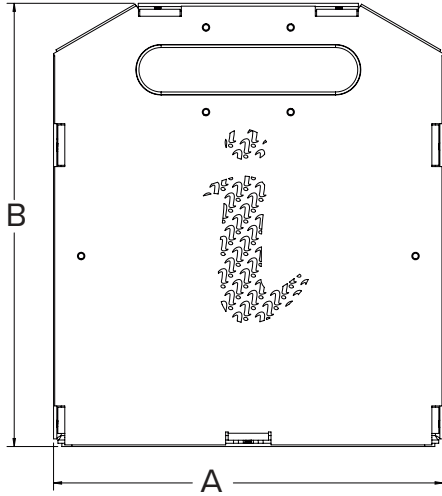
iDimension® Plus

Parcel Static Dimensioning System

DIMENSIONING

Dimensions

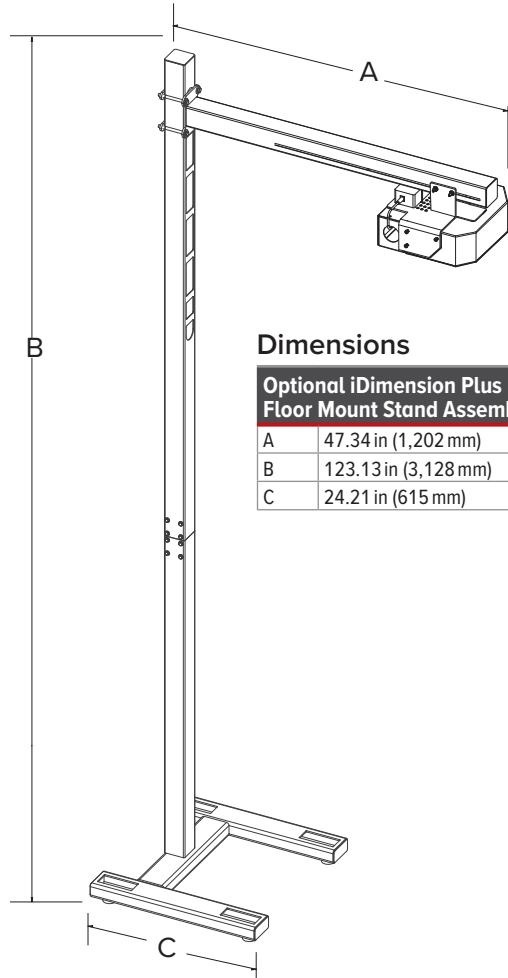
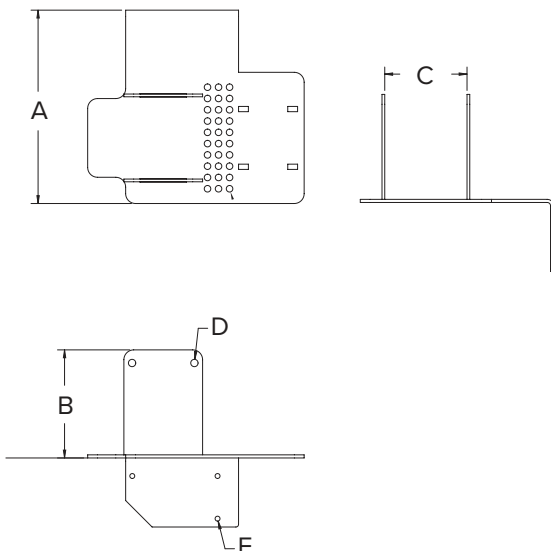
| iDimension Plus Scanning Head Assembly | | | |
|--|-------------------|---|------------------|
| A | 9.66 in (229 mm) | F | 1.62 in (15 mm) |
| B | 10.99 in (216 mm) | G | 0.52 in (41 mm) |
| C | 4.14 in (183 mm) | H | 2.58 in (38 mm) |
| D | 3.25 in (84 mm) | I | 1.35 in (114 mm) |
| E | 1.25 in (51 mm) | J | 4.33 in (38 mm) |



Dimensions

| iDimension Plus Mounting Bracket - PN 198708 | |
|--|------------------|
| A | 7.37 in (187 mm) |
| B | 4.12 in (105 mm) |
| C | 3.14 in (80 mm) |
| D | 2x Ø.28 |
| E | 3x Ø.19 |

Use this bracket to mount scanner head to the optional floor stand 174660 or to user provided structure



Dimensions

| Optional iDimension Plus Floor Mount Stand Assembly | |
|---|----------------------|
| A | 47.34 in (1,202 mm) |
| B | 123.13 in (3,128 mm) |
| C | 24.21 in (615 mm) |

iDimension® Flex Series

Pallet and Box Static Dimensioning System



Suspended or Free-standing mount options available

Standard Features

- Floor mounted free-standing frame or suspend from the ceiling
- One high resolution camera (one additional camera available)
- Install/integrate with a floor scale, conveyor or pallet stretch wrapper
- Easy two-person assembly
- Legal for Trade dimensions in under 2 seconds
- Network integration tool kit
- Top side junction box

Applications

- Pallet dimensioning, above a target zone, scale, conveyor or stretch wrapper to dimension cuboidal and irregular freight.

Options

- Kiosk pedestal base available
- Second high resolution camera
- Additional sensor to assist reading black stretch film
- Weigh scale and indicator not included

Specifications

Legal for Trade Measurement Capability:

Min: 12 × 12 × 12 in (300 × 300 × 300 mm)
Max: 72 × 72 × 96 in (1,828 × 1,828 × 2,438 mm)

Power Requirements:

110 to 240 VAC
25 ft (7.62 m) U.S. power cable included

Communication Ports:

Ethernet TCP/IP, USB, Serial RS232

Temperature:

14 °F to 104 °F (-10 °C to 40 °C)

Humidity:

0 to 90% non-condensing

Warranty:

Two-year limited
Five-year limited, sensors only

Approvals:

NTEP 19-076A3
OIML
CE Marked
FCC
MID Certified

Approvals



Part Numbers/Price

| Part # | Description | Price |
|--------|--|-------------|
| 219294 | Free-standing 80/20 frame, four-sensors, one camera, industrial PC, kiosk, software integration tool kit, REST API | \$27,500.00 |
| 219292 | Suspend from ceiling, four-sensors, one camera, industrial PC, kiosk, software integration tool kit, REST API. Mounting hardware sold separately | \$25,000.00 |

Options/Accessories

| Part # | Description | Price |
|--|---|-------------|
| Accessories | | |
| 200168 | 2.4 mm POE network camera | \$875.00 |
| 219194 | Kiosk pedestal base | \$895.00 |
| 220137 | Mounting kit to attach kiosk to 219294 free-standing Flex | \$250.00 |
| 212260 | Kiosk shelf for printer or scanner | \$350.00 |
| 220146 | Optional 5th sensor to assist with scanning black stretch film | \$2,795.00 |
| 205283 | 80/20 mounting kit, 25 ft high max ceiling height | \$3,295.00 |
| 188757 | Aircraft wire kit for ceilings less than 35 ft | \$1,795.00 |
| 214187 | RoughDeck floor scale 5 × 5 ft HC, 2,500 kg, flat black paint, Measurement Canada Certified | \$2,645.00 |
| 213921 | RoughDeck floor scale 5 × 5 ft HP, 5,000 lb, flat black paint, NTEP Certified | \$2,645.00 |
| 86873 | Bumper guard, HP 5 ft | \$180.00 |
| 213999 | RoughDeck ramp, 5 ft | \$860.00 |
| 200183 | 680 Plus Indicator, LED display, 115 to 230 VAC with RJ45, US power cord. Alternately, choose a 1280 for automation applications. | \$1,135.00 |
| Barcode Scanner | | |
| 225020 | QuickScan QD2590 USB barcode scanner | \$345.00 |
| 206229 | Honeywell wireless long-range TCP/IP barcode scanner kit | \$2,695.00 |
| Factory Service and Support | | |
| 224761 | One time license fee at time of purchase | \$1,195.00 |
| FLD-Install | iDimension field install/training day, travel and expenses not included | \$1,395.00 |
| 202029 | Hourly rate scheduled integration services remote session | \$145.00/hr |
| Extended Warranty – Two-year standard | | |
| 202033 | iDimension Flex/PWD/LTL additional one-year extended warranty | \$1,200.00 |



iDimension Flex Series Kiosk

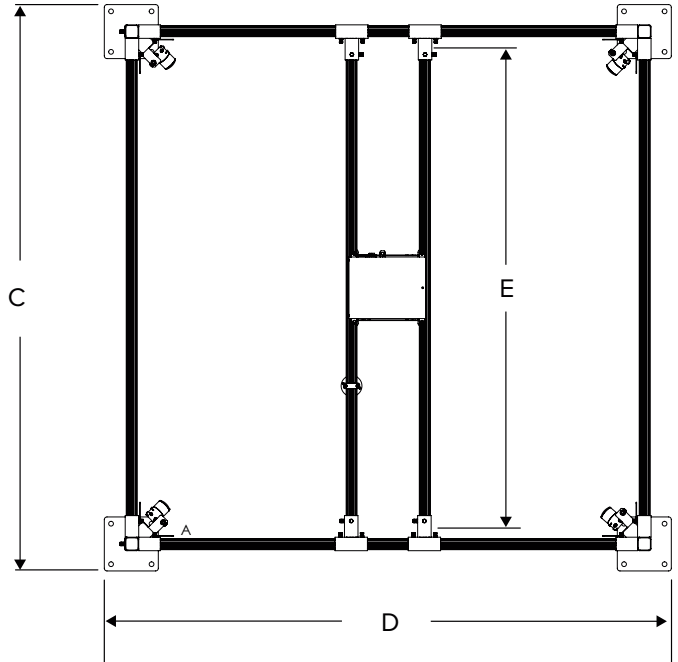
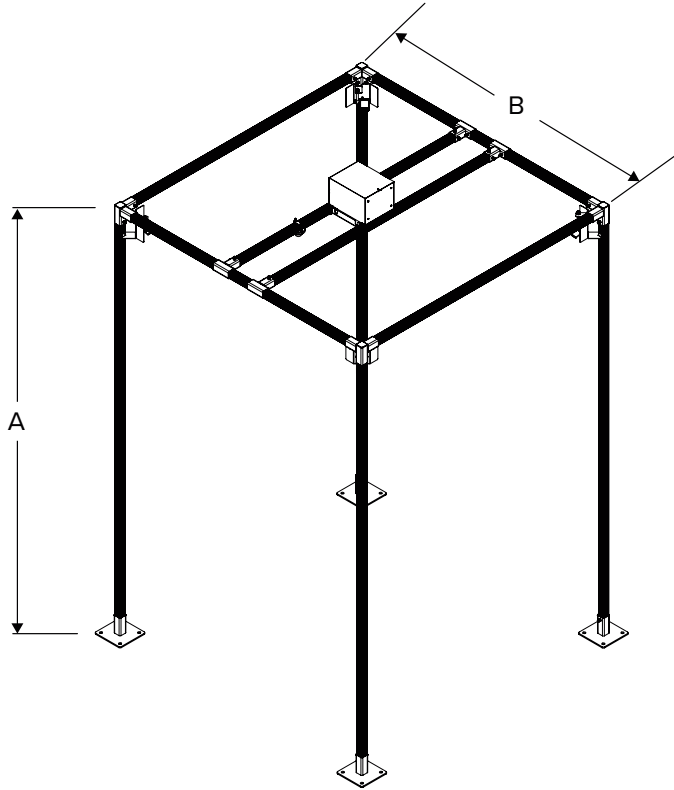
iDimension Flex Series Kiosk with Optional Pedestal

iDimension® Flex Series

Pallet and Box Static Dimensioning System

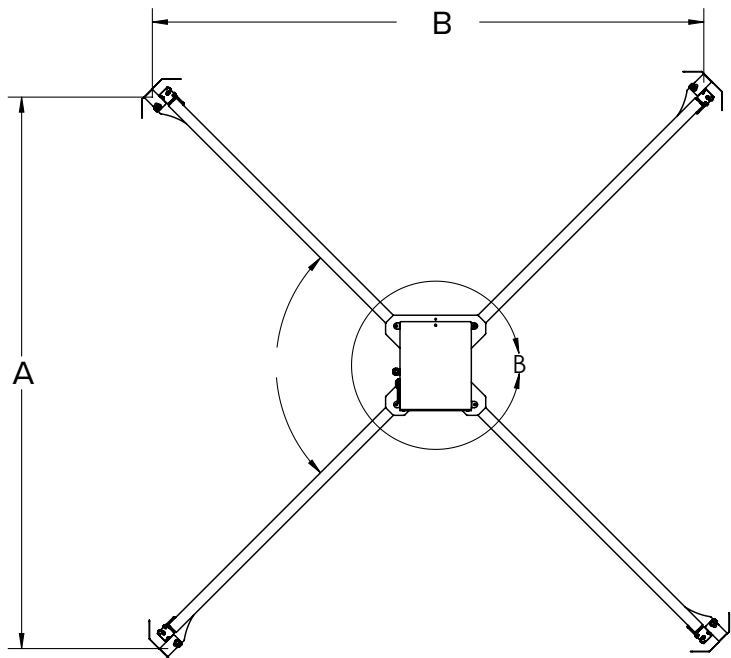
Dimensions

| iDimension Flex Free Standing | |
|-------------------------------|--------------------------|
| A | 145.38 in (3,693 mm) max |
| B | 93.00 in (2,362 mm) |
| C | 104.88 in (2,664 mm) max |
| D | 105.00 in (2,667 mm) max |
| E | 85.08 in (2,161 mm) |



Dimensions

| iDimension Flex Suspension | |
|----------------------------|---------------------|
| A | 88.12 in (2,238 mm) |
| B | 88.12 in (2,238 mm) |



iDimension® PWD System

Pallet Weighing and Dimensioning System

DIMENSIONING



Standard Features

- Includes: iDimension PWD, kiosk, panel mounted scale indicator, 5 × 5 ft 5,000 lb scale, calibration object, accuracy test box, operators and assembly manuals
- Integrated 5 × 5 ft floor scale, 5,000 lb capacity
- Pallet tare mode can measure objects on a pallet by excluding the pallet from the measurement (not Legal for Trade)
- Simple API network integration through HTTP requests, status checking and XML parsing
- Assembly and installation in less than a day
- One high resolution camera (one additional camera available)

Options

- Second high resolution camera
- Bar code scanner and/or printer
- Access ramps for pallet jack access
- Overhead fifth sensor recommended for dimensioning highly reflective, IR sensitive or black pallet shrink wrap

Software Integration Tools

- iDimension Desktop Wedge
- Simple API network integration through HTTP requests, status checking and XML parsing
- iDimension SS for storing data, images and transferring data to ERP and WMS systems

Specifications

Legal for Trade Measurement Capability:

Min: 6 × 6 × 6 in (152 × 152 × 152 mm)
Max: 72 × 72 × 72 in (1,829 × 1,829 × 1,829 mm)

Power Requirements:

110 to 240 VAC with 25 ft (7.62 m) power cable included

Measurement Increment:

0.5 in (1 cm)

Performance Characteristics:

Weight and dimensions in two seconds or less
Most surfaces are captured; transparent/translucent and glossy surfaces may provide a variance

Item Placement:

Centered on floor scale for best performance

Minimum Pallet Height:

4.25 in (108 mm) wood pallets

Shapes:

Solid shapes, 3 in (76 mm) protrusions will be included in dimensions

Lighting Conditions:

Operates in any indoor lighting environment

Temperature:

Operating:
14 °F to 104 °F (-10 °C to 40 °C)

Humidity:

0 to 90% non-condensing

Warranty:

Two-year limited
Extended warranty available for purchase

Packaging Dimensions:

Crate 1: 101 × 80 × 30 in; 1,690 lb
(257 × 203 × 76 cm)
Crate 2: 83 × 68 × 35 in; 900 lb
(210 × 173 × 90 cm)

Approvals:

NTEP 19-076
OIML R129-2000-A-NL1-24.04
EU MID T12563
CE
FCC

Approvals



Part Numbers/Price

| Part # | Description | Price |
|--------|-----------------------|-------------|
| 199318 | iDimension PWD System | \$38,995.00 |

Options/Accessories

| Part # | Description | Price |
|--|--|------------|
| System Options | | |
| 200168 | Second high resolution 2.4 mm POE network camera | \$875.00 |
| 199665 | iDimension PWD pallet jack ramp | \$945.00 |
| 199666 | Optional 5th overhead sensor | \$2,095.00 |
| 212260 | Kiosk shelf for optional scanner and printer | \$350.00 |
| Scanning and Printing Options | | |
| 206229 | Wireless Honeywell long-range TCP/IP scanner kit for use with iDimension SS Software | \$2,695.00 |
| 225020 | QuickScan QD2590 USB barcode scanner | \$345.00 |
| 212410 | Zebra ZD421D printer, direct thermal | \$880.00 |
| 37345 | Label, roll 5 in dia, 1 in core | \$24.00 |
| Optional Integration Solutions | | |
| 203010 | iDimension Desktop Wedge (Windows 10 required) | N/C |
| 175812 | iDimension SS (software suite) web server software (Windows 10 required) | \$2,250.00 |
| Factory Service and Support | | |
| 224761 | One time license fee at time of purchase. | \$1,195.00 |
| FLD-INSTALL | iDimension field install and training day, travel and expenses not included | \$1,395.00 |
| 202029 | Hourly rate scheduled integration services remote session | \$145.00 |
| Extended Warranty – Two-year standard | | |
| 202033 | iDimension Flex/PWD/LTL additional one-year extended warranty | \$1,200.00 |

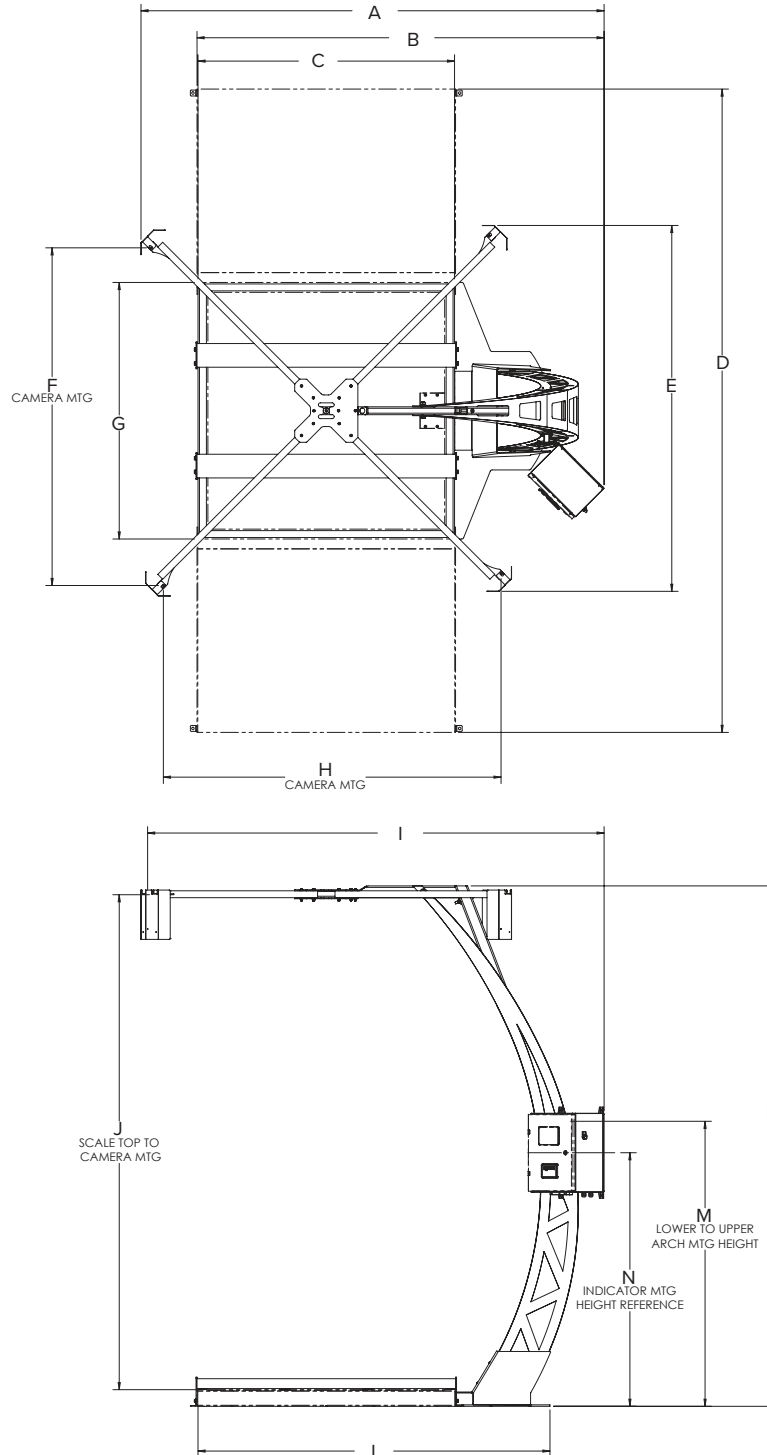
iDimension® PWD System

Pallet Weighing and Dimensioning System

DIMENSIONING

Dimensions

| iDimension PWD | | | | | |
|----------------|----------------------|---|----------------------|---|----------------------|
| A | 117.34 in (2,980 mm) | F | 85.56 in (2,173 mm) | K | 131.86 in (3,349 mm) |
| B | 103.14 in (2,620 mm) | G | 65.00 in (1,651 mm) | L | 89.18 in (2,265 mm) |
| C | 65.00 in (1,651 mm) | H | 85.56 in (2,173 mm) | M | 72.22 in (1,834 mm) |
| D | 163.00 in (4,140 mm) | I | 115.66 in (2,938 mm) | N | 64.25 in (1,632 mm) |
| E | 92.70 in (2,355 mm) | J | 125.41 in (3,185 mm) | | |



iDimension® LTL / LTL XL

Pallet Dimensioning System



iDimension LTL XL

iDimension LTL

Approvals



Part Numbers/Price

| Part # | Description | Price |
|--------|-------------------|-------------|
| 194205 | iDimension LTL | \$52,995.00 |
| 202974 | iDimension LTL XL | \$61,450.00 |

Options/Accessories

| Mounting Options | | |
|--------------------------------|--|------------|
| 205283 | 80/20 ceiling mount kit (25 ft ceiling max) | \$3,295.00 |
| 188757 | Aircraft cable ceiling mounting kit (35 ft ceiling max) | \$1,795.00 |
| System Options | | |
| 188755 | 2.4 mm POE network camera – second high resolution camera | \$875.00 |
| 222641 | Work area and target zone blue LED light kit | \$3,400.00 |
| 193830 | LTL 21.5 in commercial forklift operator display kit | \$2,995.00 |
| 205286 | LTL-XL 21.5 in commercial forklift operator display kit | \$2,995.00 |
| 223035 | 10 m EU power cord | \$45.00 |
| 223036 | 10 m UK power cord | \$45.00 |
| 223037 | 10 m AU power cord | \$45.00 |
| PC Options | | |
| 205073 | 12 in HMI PC and Ram mount kit for desk or wall | \$6,500.00 |
| 202214 | HMI PC overhead Ram mounting kit on iDimensioner LTL | \$215.00 |
| 205287 | HMI PC overhead Ram mounting kit on iDimensioner LTL XL | \$215.00 |
| 174659 | HMI PC floor stand and guard rail kit | \$1,250.00 |
| 212433 | 7 in HMI PC and Ram mounting kit for forklift | \$3,250.00 |
| Optional Integration Solutions | | |
| 203010** | iDimension Desktop Wedge (Windows 10 required) | N/C |
| 175812 | iDimension SS (software suite) web server software (Windows 10 required) | \$2,250.00 |
| 201447 | iDimension SS real-time status display desktop app (Stop & Go) | \$250.00 |
| 201448 | iDimension SS standalone forklift data management web app (Stop & Go) | \$250.00 |
| Scanning and Printing Options | | |
| 206229 | Wireless Honeywell long-range TCP/IP scanner kit | \$2,695.00 |
| 212410 | Zebra ZD421D printer, direct thermal | \$880.00 |
| 37345 | Label, roll 5 in dia, 1 in core | \$24.00 |

*Requires factory support and training on first installation of iDimension LTL

**Available for free download at www.ricelake.com

Standard Features

- 360° fork truck access for easy pallet placement in the target zone
- Displays dimensions in 2 seconds
- Minimal set up and training required
- Bounding box images identify measurement cube
- Color camera
- Download iDimension Pallet Dimensioning Firmware V6.0.3.3655

Options

- Second color camera
- Work area and target zone LED light kit
- 21.5 inch operator display provides instantaneous feedback to the forklift or pallet jack operator
- iDimension SS for storing data and images transferring data to ERP and WMS systems
- Stop & Go activation

Specifications

Legal for Trade Measurement Capability:

LTL Drop and Clear:

Min: 12 × 12 × 12 in (30 × 30 × 30 cm)

Max: 96 × 96 × 96 in (244 × 244 × 244 mm)

LTL XL Drop and Clear:

Min: 12 × 12 × 12 in (30 × 30 × 30 cm)

Max: 96 × 96 × 144 in (244 × 244 × 365 cm)

Stop & Go:

Min: 12 × 12 × 12 in (30 × 30 × 30 cm)

Max: 72 × 72 × 84 in (183 × 183 × 213 cm)

Power Requirements:

110 to 240 VAC

25 ft (7.62 m) power cable included

Measurement Increment:

NTEP: 0.5 in

OIML: 2 cm

Dimensioning Speed:

Within 2 seconds from trigger to scan complete

Performance Characteristics:

Most surfaces are captured, including black plastic shrink wrap. Transparent/translucent and glossy surfaces may provide a variance.

Stop & Go Measurement

Performance Characteristics:

Stop-trigger-go 2 seconds for Legal for Trade results. Best when used with a Rice Lake Legal for Trade forklift scale.

Item Placement:

Single pallet within the center of the target zone for best performance

Minimum Pallet Height:

4.25 in (108 mm) wood pallets

Minimum Ceiling Height:

12.75 ft

Shapes:

Solid shapes, 3 in (76 mm) protrusions will be included in dimensions

Lighting Conditions:

Operates in any indoor lighting environment

Temperature:

Operating:

14 °F to 104 °F (-10 °C to 40 °C)

Humidity:

0 to 90% non-condensing

Warranty:

Two-year limited

(extended warranty available for purchase)

Sensors: five-year limited

Approvals:

NTEP 19-076

OIML R129-2000-A-NL1-24.04

EU MID T12563

FCC

CE

iDimension® LTL / LTL XL

Pallet Dimensioning System

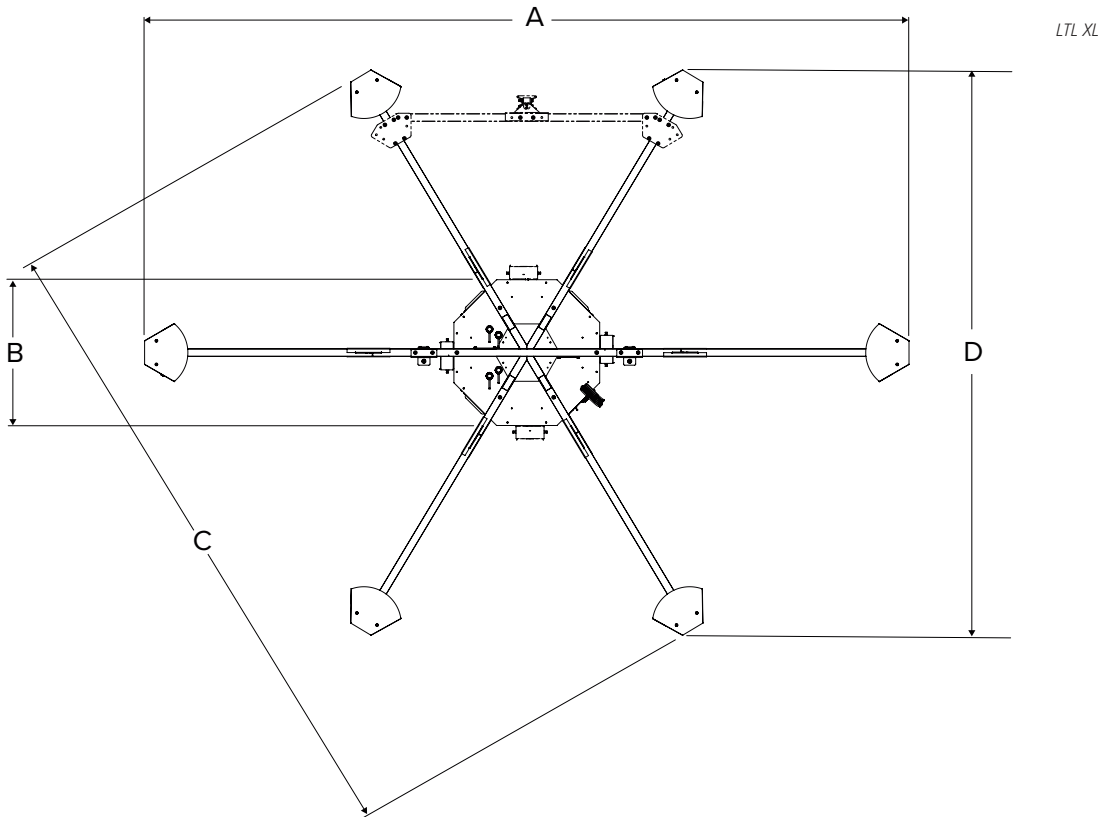
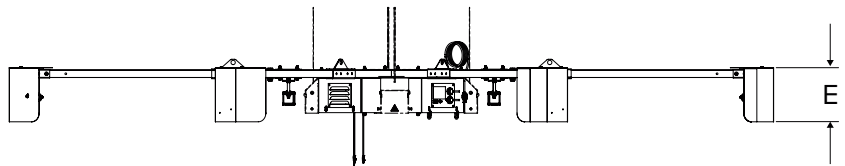
DIMENSIONING

Part Numbers/Price

| Part # | Description | Price |
|--|---|------------|
| iDimension LTL Stop & Go | | |
| 198480 | Stop & Go activation license key | \$7,000.00 |
| 212337 | Stop & Go reflector post kit for Universal Class II 34 in forklift carriages | \$225.00 |
| 193858 | Rice Lake CLS forklift scale cover with Stop & Go reflectors | \$145.00 |
| Floor Scale Options | | |
| 213921 | RoughDeck floor scale, 5 × 5 ft HP, 5,000 lb, flat black paint, NTEP Certified | \$2,645.00 |
| 214187 | RoughDeck floor scale, 5 × 5 ft HC, 2,500 kg, flat black paint, Measurement Canada Certified | \$2,645.00 |
| 213922 | RoughDeck floor scale 5 × 7 ft HP, 5,000 lb, flat black paint, NTEP Certified | \$3,125.00 |
| 86820 | Bumper guard, HP 7 ft | \$395.00 |
| 86873 | Bumper guard, HP 5 ft | \$180.00 |
| 213999 | RoughDeck ramp, 5 ft | \$860.00 |
| 200183 | 680 Plus Indicator, LED display, 115 to 230 VAC with RJ45, US power cord. Alternately, choose a Rice Lake 1280 for automation applications. | \$1,135.00 |
| Factory Service and Support | | |
| 194215 | One time license fee at time of purchase. | \$1,995.00 |
| FLD-INSTALL | iDimension field install and training/day, travel and expenses not included | \$1,395.00 |
| 202029 | Hourly rate scheduled integration services remote session | \$145.00 |
| Extended Warranty – Two-year standard | | |
| 202033 | iDimension PWD/LTL additional one-year extended warranty | \$1,200.00 |

Dimensions

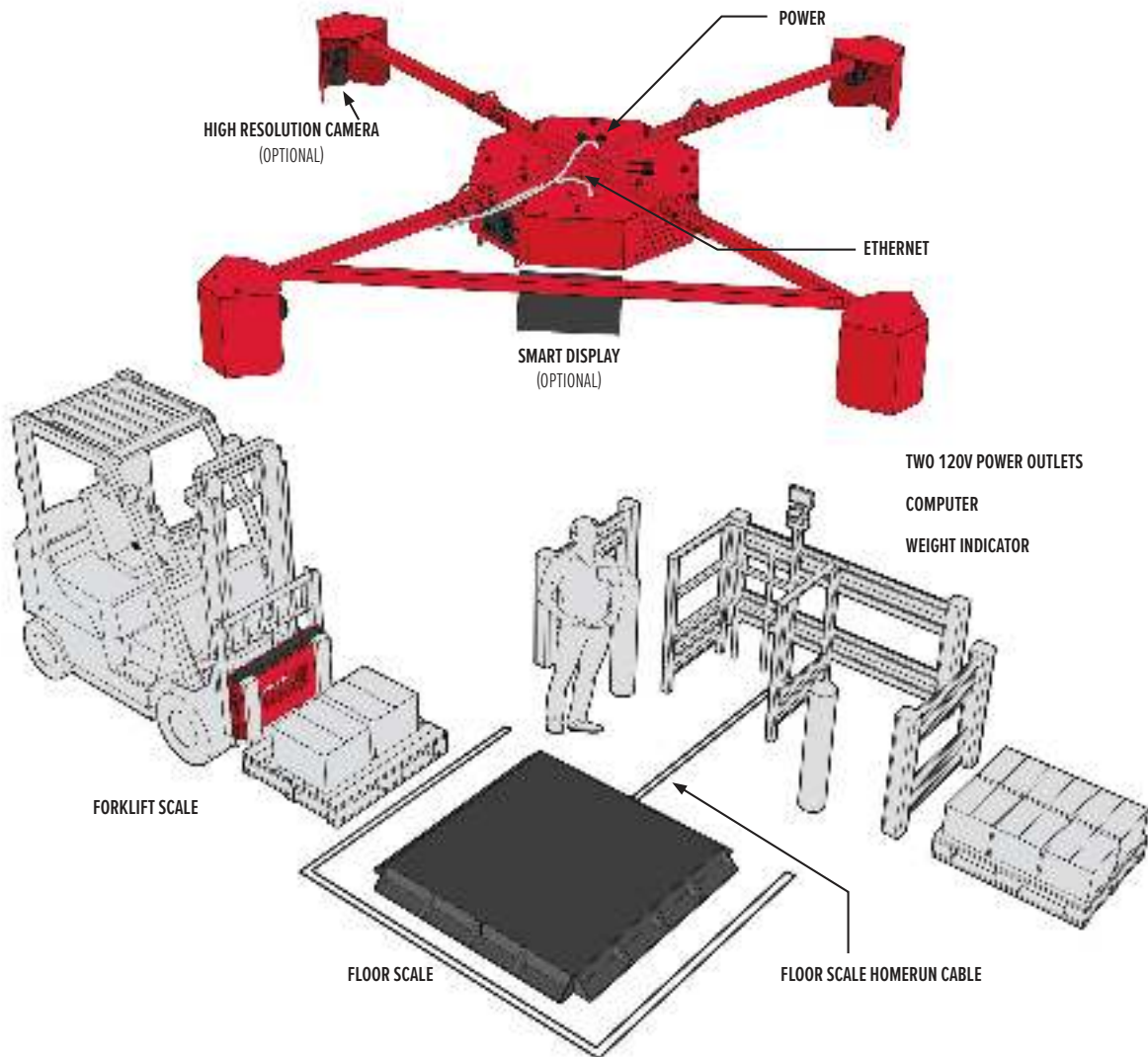
| iDimension LTL XL | |
|-------------------|----------------------|
| A | 178.28 in (4,528 mm) |
| B | 34.00 in (864 mm) |
| C | 150.44 in (3,821 mm) |
| D | 131.83 in (3,348 mm) |
| E | 12.64 in (321 mm) |



iDimension® LTL / LTL XL

Pallet Dimensioning System

DIMENSIONING

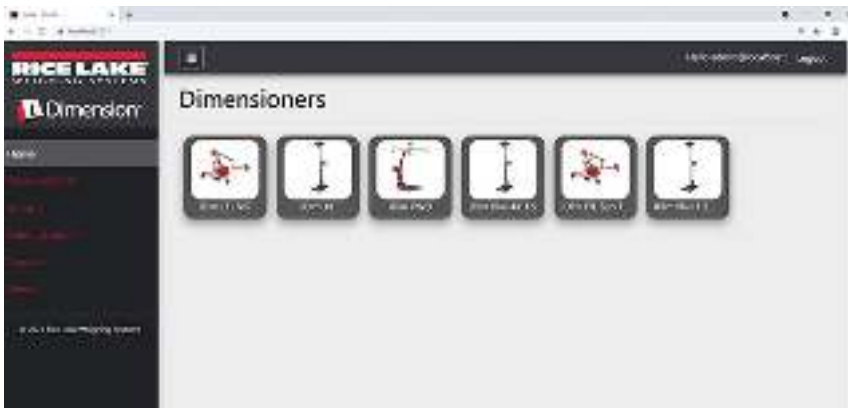


System Overview

iDimension® SS

Integration Software

DIMENSIONING



iDimension SS is a robust, dynamic application for managing scan data captured by iDimension Dimensioning Solutions.

Standard Features

- Automatically display and/or transmit density and NMFC freight class
- Real-time data access and triggering via REST API Swagger API development toolkit included
- Supported peripherals include bar code scanners and label printers
- Measurement database – configurable for capturing and transferring:
 - Identification #, i.e. Pro or sales order number
 - Dimensions L × W × H
 - Scale or manual keyboard weight entry
 - Volume
 - Three configurable user fields
 - Color high resolution images
 - Bounding box images
 - Volumetric conversion
 - Email notification alerts
 - Error logging
- Digital remote I/O configuration for use with PLCs
- Shipping method analyzer for girth and volume analysis thresholds in conjunction with the iDimension SS real-time display desktop application
- Local data storage
- Automatic data export, options include FTP, SFTP, FTPS and SMB configurable
- Data export, including image format composition and annotations available in data export provides output in CSV, JSON, XML and TXT file formats
- QR code display for alternate input into MRP, TMS and WMS systems
- Error logging with high resolution image capture
- Role-based security model protects data and prevents unwanted configuration changes
- Comprehensive application log files available to download
- Forklift database for use with Stop & Go

SQLite database maximum size capabilities is dependent upon file system type.

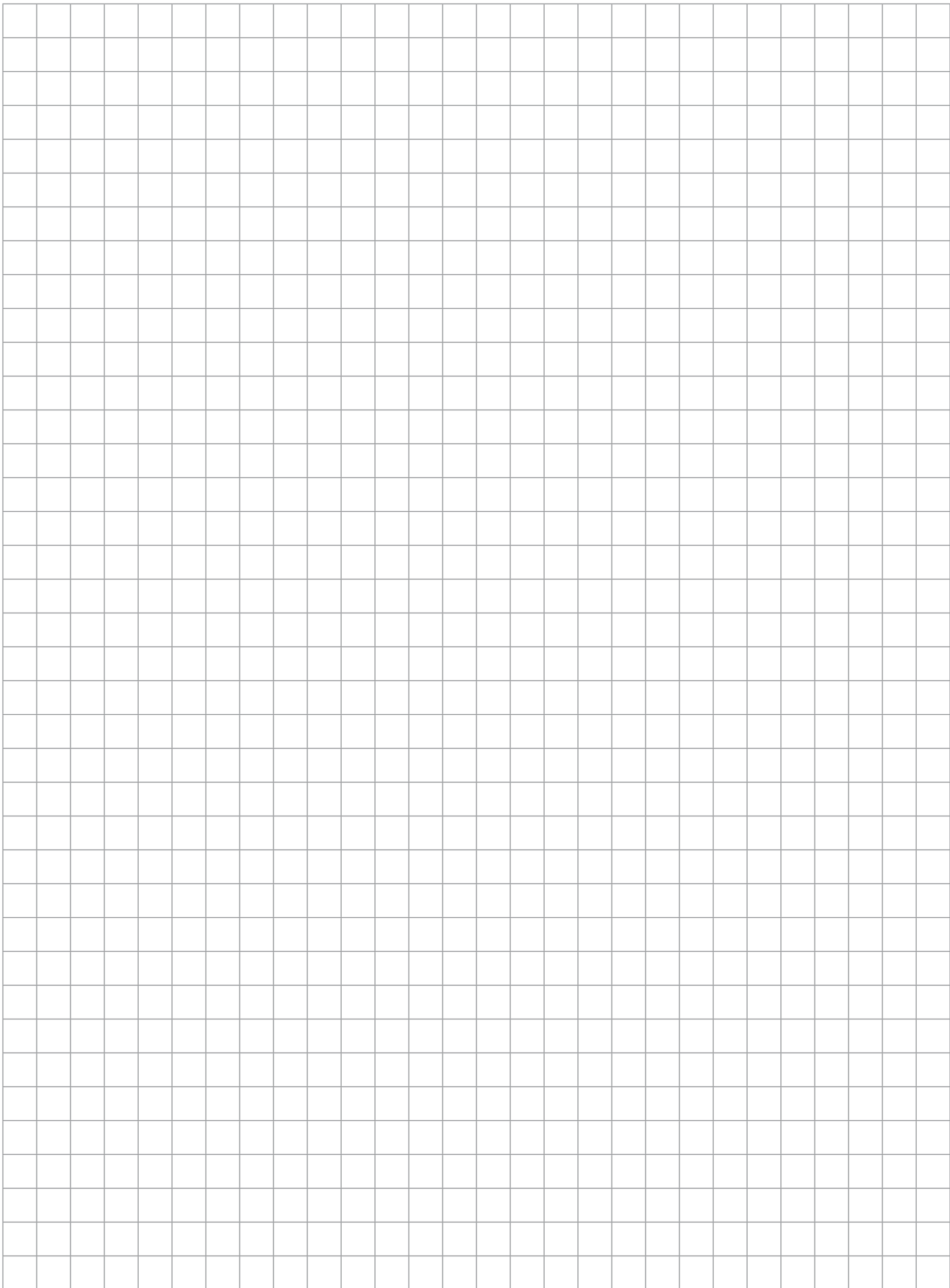
System Requirements

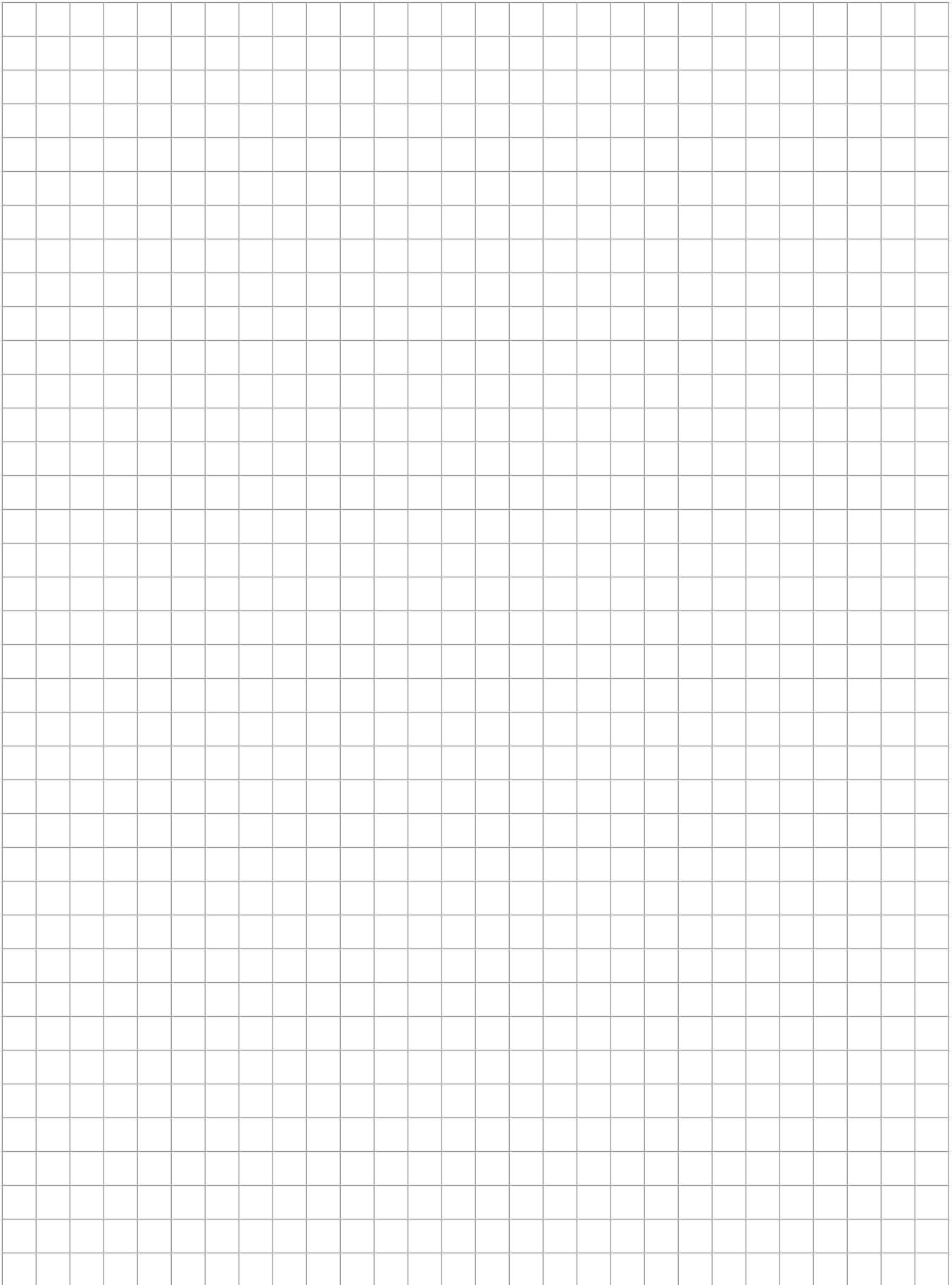
- Windows 10 build 1607 or newer (64-bit only)
- 2.0 GHz processor or faster
- 250 MB hard disk space needed for install
- 8 GB RAM or greater
- Ethernet TCP/IP communication to dimensioning devices plus optional scanners, printers and Rice Lake Weighing 680 and 1280 scale indicators
- Supported web browser (Chrome®, Microsoft Edge®, Firefox®, Safari®)

Part Numbers/Price

| Part # | Description | Price |
|-----------|--|------------|
| 203010*** | iDimension Desktop Wedge (Windows 10 required) | N/C |
| 175812 | iDimension SS (software suite) web server software (Windows 10 required) | \$2,250.00 |
| 201447 | iDimension SS real-time status display desktop app (Stop & Go) | \$250.00 |
| 201448 | iDimension SS standalone forklift data management web app (Stop & Go) | \$250.00 |

*** Available for free download at www.ricelake.com





Floor Scales

TABLE OF CONTENTS

| | | |
|---|--|--|
| RoughDeck® Rough-n-Ready System 358 <i>Floor Scale and 381 Indicator Package</i> | RoughDeck® PW-1 Stainless Steel 386 <i>Low-profile Pallet Weighing Floor Scale</i> | RoughDeck® HP 410 <i>Forklift SENDit Portability Frames, Non-NTEP</i> |
| RoughDeck® Rough-n-Ready System 359 <i>Floor Scale and 380 Indicator Package</i> | RoughDeck® BDP Mild Steel 387 <i>Barrel, Drum, Pallet Scale – Stationary Model</i> | RoughDeck® HP 411 <i>Forklift SENDit Portability Frames, NTEP</i> |
| RoughDeck® Rough-n-Ready System 360 <i>Floor Scale and 480/480 Plus Indicator Package</i> | RoughDeck® BDP Mild Steel 388 <i>Barrel, Drum, Pallet Scale – Portable Model</i> | RoughDeck® HP 412 <i>Caster Portability Frames</i> |
| RoughDeck® Rough-n-Ready System 361 <i>Floor Scale and 482/482 Plus Indicator Package</i> | RoughDeck® BDP Stainless Steel 389 <i>Barrel, Drum, Pallet Scale – Stationary Model</i> | RoughDeck® HP 413 <i>Caster SENDit Portability Frames, Non-NTEP</i> |
| RoughDeck® Rough-n-Ready System 362 <i>Floor Scale and 680 Indicator Package</i> | RoughDeck® BDP Stainless Steel 390 <i>Barrel, Drum, Pallet Scale – Portable Model</i> | RoughDeck® HP 414 <i>Caster SENDit Portability Frames, NTEP</i> |
| RoughDeck® HP 363 <i>High Performance Structural Steel Low-profile Floor Scale</i> | DeckHand™ 391 <i>Portable Floor Scale</i> | RoughDeck® HP, SS & HE 415 <i>Pit Frame Concrete Details*</i> |
| RoughDeck® HP-H 365 <i>High Performance Heavy Capacity Floor Scale</i> | RL1200 392 <i>Portable Beam Scale</i> | RoughDeck® HP-H 416 <i>Pit Frame Concrete Details* – 20,000lb Capacity</i> |
| RoughDeck® RP 367 <i>Rodent Protection Floor Scale</i> | RL1200 EM 393 <i>Electromechanical Portable Beam Scale and 380 Indicator</i> | RoughDeck® HP-H 417 <i>Pit Frame Concrete Details* – 30,000lb Capacity</i> |
| RoughDeck® PC 368 <i>Pancake Deck Cargo Scale</i> | RL1200 IS 394 <i>Intrinsically Safe Electromechanical Portable Beam Scale</i> | AutoLift HE 418 <i>Pit Frame Concrete Details*</i> |
| RoughDeck® CS 369 <i>Coil Floor Scale</i> | Altralite™ 395 <i>Portable Low-profile Anodized Aluminum Floor Scale</i> | RoughDeck® QC-X 419 <i>Pit Frame Concrete Details*</i> |
| RoughDeck® CS Rail Car 371 <i>Top-access Coil Scale</i> | RoughDeck® FXB 396 <i>Painted Steel and Stainless Steel, Flexure Lever Floor Scale</i> | RoughDeck® QC 420 <i>Pit Frame Concrete Details*</i> |
| RoughDeck® CS Rail Car 372 <i>Under Beam Mount Coil Scale</i> | Summit® Scale and 120 Indicator Package 397 <i>Floor Scale/120 Indicator Package</i> | Summit® 3000 421 <i>Pit Frame Concrete Details*</i> |
| RoughDeck® SS 373 <i>Stainless Steel Floor Scale</i> | Summit® Scale and 120 Plus Indicator Package 398 <i>Floor Scale/120 Plus Indicator Package</i> | |
| RoughDeck® HE 374 <i>Hostile Environment Stainless Steel Floor Scale</i> | Summit® 3000 399 <i>Low-profile Floor Scale</i> | |
| AutoLift HE 375 <i>Pit-type, Hostile Environment Stainless Steel Lift Floor Scale</i> | RoughDeck® Access Ramps 400 | |
| RoughDeck® QC-X 377 <i>Quick Clean Extreme Lift Floor Scale with Solid Plate Base</i> | Floor Scale Pit Mounted Riser Stand 402 | |
| RoughDeck® QC-XP 379 <i>Quick Clean Extreme Portable Solid Base Plate Floor Scale</i> | RoughDeck® Pit Frames 403 | |
| RoughDeck® QC 380 <i>Quick Clean Stainless Steel Lift Floor Scale</i> | Summit® 3000 Access Ramps 404 | |
| RoughDeck® SD 383 <i>Sanitary Deck Floor Scale</i> | Summit® 3000 Pit Frames 405 | |
| RoughDeck® LP 384 <i>Low Profile Floor Scale</i> | Bumper Guards 406 <i>Option A Option B Option C</i> | |
| RoughDeck® PW-1 Mild Steel 385 <i>Low-profile Pallet Weighing Floor Scale</i> | RoughDeck® HP and SS 409 <i>Forklift Portability Frames</i> | |

FLOOR SCALES

The following product names, logos, brands and other trademarks featured or referred to within this publication are the property of their respective trademark holders.

RoughDeck® Rough-n-Ready System

Floor Scale and 381 Indicator Package



Shown with optional floor stand for indicator

Approvals



Measurement Canada Approved



FLOOR SCALES

Part Number/Price

| Part# | Floor Scale Capacity | Indicator | Est. Weight | Price |
|--|----------------------|-----------|-------------|------------|
| † 4 ft × 4 ft × 3.5 in RoughDeck (NTEP Certified) 381 Indicator with AA battery and 12V power adaptor | | | | |
| 219279 | 5,000 lb | 381 | 405 lb | \$2,495.00 |
| 219280 | 10,000 lb | 381 | 405 lb | \$2,495.00 |
| † 4 ft × 4 ft × 3.5 in RoughDeck (Canadian Weights and Measures Approved) 381 Indicator with AA battery and 12V power adaptor | | | | |
| 219281 | 2,500 kg | 381 | 405 lb | \$2,495.00 |
| 219282 | 5,000 kg | 381 | 405 lb | \$2,495.00 |
| † 4 ft × 4 ft × 3.5 in RoughDeck (NTEP Certified) 381 Indicator with NiMH battery and charger | | | | |
| 219283 | 5,000 lb | 381 | 405 lb | \$2,595.00 |
| 219284 | 10,000 lb | 381 | 405 lb | \$2,595.00 |
| † 4 ft × 4 ft × 3.5 in RoughDeck (Canadian Weights and Measures Approved) 381 Indicator with NiMH battery and charger | | | | |
| 219285 | 2,500 kg | 381 | 405 lb | \$2,595.00 |
| 219286 | 5,000 kg | 381 | 405 lb | \$2,595.00 |

† US plug (NA) - Type A

Options/Accessories

| Part# | Description | Price |
|---------|---|---|
| Consult | Access ramps available | See catalog page 400 |
| Consult | Pit frames available | See catalog page 403 |
| Consult | Bumper guards available | See catalog page 406 through catalog page 408 |
| Consult | Portability frames available | See catalog page 409 through catalog page 414 |
| 18777 | Floor anchor plates, mild steel (set of 2) | \$38.00 |
| 19352 | Floor stand for indicator, 36.3 in high, mild steel | \$250.00 |
| 126384 | Floor stand for indicator, 48 in high, mild steel | \$275.00 |

Standard Features

- Package includes: RoughDeck HP 4 ft × 4 ft × 3.5 in floor scale, 20 ft of hostile environment load cell cable, quick disconnect and 381 indicator
- Package is factory-calibrated for 5,000 divisions

Scale

- Heavy-duty design with structural steel under support
- Four NTEP certified alloy steel shear beam load cells
- Side-access JB4SS TuffSeal® junction box

Indicator

- LCD display
- Communication ports
- ABS enclosure
- Battery powered

RoughDeck Specifications

End Load Capacity:

- 100% full scale at 5,000 lb
- 80% full scale at 10,000 lb

Cable Length:

- 20 ft (6.1 m) for connecting junction box to indicator

Threaded Eyebolt:

- Hole (1/2-20 NF) located in center of deck for easy lifting

Warranty (limited):

- Weldment: five-years
- Load cells: two-years
- All other components: One-year

Approvals:

- NTEP 92-001, Class III 5,000 d
- Measurement Canada AM-4827, Class III 5,000 d

381 Specifications

Power:

- Battery: AA or Nickel Metal Hydride (NiMH) 381-2D-AA
- Adapter: 115/230 VAC to 12 VDC 381-2D-NiMH
- Charger: 115/230 VAC

Battery Life:

- AA: 16 hours with 4 × 350 ohm load cells, low backlight
- NiMH: 19 hours with 4 × 350 ohm load cells, low backlight

Communication Ports:

- One full-duplex RS-232
- One USB 2.0

Display:

- Six 1 in (25 mm) tall, LCD digits

Annunciators:

- g, lb, t, tn, kg, oz, battery level, PT, LT, gross, zero, unstable, net

Keys/Buttons:

- 5 tactile buttons

Rating/Material:

- AA Battery: IP54, ABS
- NiMH Battery: IP66, ABS

Approvals:

- NTEP 21-051
- Measurement Canada AM-6184

RoughDeck® Rough-n-Ready System

Floor Scale and 380 Indicator Package



Shown with optional floor stand for indicator

Approvals



Measurement
Canada
Approved



Part Number/Price

| Part# | Floor Scale Capacity | Indicator | Est. Weight | Price |
|--|----------------------|-----------|-------------|------------|
| † 4 ft × 4 ft × 3.5 in RoughDeck (NTEP Certified) Indicator Package with Tilt Stand | | | | |
| 208558 | 5,000 lb | 380 | 405 lb | \$2,805.00 |
| 208585 | 10,000 lb | 380 | 405 lb | \$2,805.00 |
| † 4 ft × 4 ft × 3.5 in RoughDeck (Canadian Weights and Measures Approved) Indicator Package with Tilt Stand | | | | |
| 208582 | 2,500 kg | 380 | 405 lb | \$2,805.00 |
| 208586 | 5,000 kg | 380 | 405 lb | \$2,805.00 |

† US plug (NA) - Type A

Options/Accessories

| Part# | Description | Price |
|---------|---|---|
| 206433 | External AC adapter for 380 indicator | \$54.00 |
| Consult | Access ramps available | See catalog page 400 |
| Consult | Pit frames available | See catalog page 403 |
| Consult | Bumper guards available | See catalog page 406 through catalog page 408 |
| Consult | Portability frames available | See catalog page 409 through catalog page 414 |
| 18777 | Floor anchor plates, mild steel (set of 2) | \$38.00 |
| 19352 | Floor stand for indicator, 36.3 in high, mild steel | \$250.00 |
| 126384 | Floor stand for indicator, 48 in high, mild steel | \$275.00 |

Standard Features

- Package includes: RoughDeck HP 4 ft × 4 ft × 3.5 in floor scale, 20 ft of hostile environment load cell cable, quick disconnect and 380 indicator
- Package is factory-calibrated for 5,000 divisions

Scale

- Heavy-duty design with structural steel under support
- Four NTEP certified alloy steel shear beam load cells
- Side-access JB4SS TuffSeal® junction box

Indicator

- LCD display
- Communication ports
- Stainless steel enclosure

RoughDeck Specifications

End Load Capacity:

- 100% full scale at 5,000 lb
- 80% full scale at 10,000 lb

Cable Length:

- 20 ft (6.1 m) for connecting junction box to indicator

Threaded Eyebolt:

- Hole (1/2-20 NF) located in center of deck for easy lifting

Warranty (limited):

- Weldment: Five-years
- Load cells: Two-years
- All other components: One-year

Approvals:

- NTEP 92-001, Class III 5,000 d
- Measurement Canada AM-4827, Class III 5,000 d

380 Specifications

Power:

- Batteries: Four alkaline C-cell (not included)
- Optional: 115/230 VAC to 12 VDC adapter

Battery Life:

- 45 hours, continuous use on alkaline batteries with four 350 ohm load cells, low backlight

Communication Ports:

- One full-duplex RS-232
- One USB 2.0

Display:

- Six 1 in (25 mm) tall, LCD digits

Annunciators:

- g, lb, t, tn, kg, oz, battery level, PT, LT, gross, zero, unstable, net

Keys/Buttons:

- 5 tactile buttons

Rating/Material:

- Enclosure: IP66, 304 stainless steel

Approvals:

- NTEP 21-051
- Measurement Canada AM-6184
- CE Marked
- cULus Listed

FLOOR SCALES

RoughDeck® Rough-n-Ready System

Floor Scale and 480/480 Plus Indicator Package



480 Plus



480



Shown with optional floor stand for indicator

FLOOR SCALES

Approvals



Measurement Canada Approved



Part Number/Price

| Part# | Floor Scale Capacity | Indicator | Est. Weight | Price |
|--|----------------------|-----------|-------------|------------|
| † 115 VAC - 4 ft × 4 ft × 3.5 in RoughDeck (NTEP Certified) Indicator Package with Tilt Stand | | | | |
| 155666 | 5,000 lb | 480 | 405 lb | \$3,045.00 |
| 168140 | 5,000 lb | 480 Plus | 405 lb | \$3,045.00 |
| 155667 | 10,000 lb | 480 | 405 lb | \$3,045.00 |
| 168141 | 10,000 lb | 480 Plus | 405 lb | \$3,045.00 |
| †† 230 VAC - 4 ft × 4 ft × 3.5 in RoughDeck (NTEP Certified) Indicator Package with Tilt Stand | | | | |
| 155962 | 5,000 lb | 480 | 405 lb | \$3,045.00 |
| 168142 | 5,000 lb | 480 Plus | 405 lb | \$3,045.00 |
| 155963 | 10,000 lb | 480 | 405 lb | \$3,045.00 |
| 168143 | 10,000 lb | 480 Plus | 405 lb | \$3,045.00 |
| † 115 VAC 4 ft × 4 ft × 3.5 in RoughDeck (Canadian Weights and Measures Approved) Indicator Package with Tilt Stand | | | | |
| 155668 | 2,500 kg | 480 | 405 lb | \$3,045.00 |
| 168144 | 2,500 kg | 480 Plus | 405 lb | \$3,045.00 |
| 155669 | 5,000 kg | 480 | 405 lb | \$3,045.00 |
| 168145 | 5,000 kg | 480 Plus | 405 lb | \$3,045.00 |



†† CEE 7/7 plug



† NEMA 5-15 plug

Options/Accessories

| Part# | Description | Price |
|---------|---|---|
| Consult | Access ramps available | See catalog page 400 |
| Consult | Pit frames available | See catalog page 403 |
| Consult | Bumper guards available | See catalog page 406 through catalog page 408 |
| Consult | Portability frames available | See catalog page 409 through catalog page 414 |
| 18777 | Floor anchor plates, mild steel (set of 2) | \$38.00 |
| 19352 | Floor stand for indicator, 36.3 in high, mild steel | \$250.00 |
| 126384 | Floor stand for indicator, 48 in high, mild steel | \$275.00 |

Standard Features

- Package includes: RoughDeck HP 4 ft × 4 ft × 3.5 in floor scale, 20 ft of hostile environment load cell cable, quick disconnect and 480/480 Plus indicator
- Package is factory-calibrated for 5,000 divisions

Scale

- Heavy-duty design with structural steel under support
- Four NTEP certified alloy steel shear beam load cells
- Side-access JB4SS TuffSeal® junction box

Indicator

- LED display
- Time and date battery backed
- Numeric keypad (480 Plus only)
- Communication ports

RoughDeck Specifications

End Load Capacity:

- 100% full scale at 5,000 lb
- 80% full scale at 10,000 lb

Cable Length:

- 20 ft (6.1 m) for connecting junction box to indicator

Threaded Eyebolt:

- Hole (1/2-20 NF) located in center of deck for easy lifting

Warranty (limited):

- Weldment: Five-year
- Load cells: Two-year
- All other components: One-year

Approvals:

- NTEP CC 92-001, Class III 5,000 d
- Measurement Canada AM-4827, Class III 5,000 d

480/480 Plus Specifications

Communication Ports:

- Com 1: RS-232 full duplex
- Com 2: RS-232 full duplex or 20 mA simplex, continuous
- Both ports 1200, 2400, 4800, 9600, 19200, 38400 baud seven or eight data bits, even, odd or no parity

Display:

- LED display 0.8 in (20 mm), six-digit, seven-segment

Annunciators:

- Gross, net, center of zero, standstill, lb, kg, tare, preset tare

Keys/Buttons:

- Flat membrane panel, embossed keys, tactile feel

Rating/Material:

- NEMA Type 4X/IP66
- Stainless steel

Approvals:

- NTEP 12-123
- Measurement Canada AM-5892C
- CE Marked
- cULus Listed

RoughDeck® Rough-n-Ready System

Floor Scale and 482/482 Plus Indicator Package



Approvals



Measurement
Canada
Approved



Part Number/Price

| Part# | Floor Scale Capacity | Indicator | Est. Weight | Price |
|---|----------------------|-----------|-------------|------------|
| † 115 VAC - 4 ft × 4 ft × 3.5 in RoughDeck (NTEP Certified) Indicator Package with Tilt Stand | | | | |
| 168146 | 5,000 lb | 482 | 405 lb | \$3,195.00 |
| 168152 | 5,000 lb | 482 Plus | 405 lb | \$3,195.00 |
| 168147 | 10,000 lb | 482 | 405 lb | \$3,195.00 |
| 168153 | 10,000 lb | 482 Plus | 405 lb | \$3,195.00 |
| †† 230 VAC - 4 ft × 4 ft × 3.5 in RoughDeck (NTEP Certified) Indicator Package with Tilt Stand | | | | |
| 168148 | 5,000 lb | 482 | 405 lb | \$3,195.00 |
| 168154 | 5,000 lb | 482 Plus | 405 lb | \$3,195.00 |
| 168149 | 10,000 lb | 482 | 405 lb | \$3,195.00 |
| 168155 | 10,000 lb | 482 Plus | 405 lb | \$3,195.00 |
| † 115 VAC 4 ft × 4 ft × 3.5 in RoughDeck (Canadian Weights and Measures Approved) Indicator Package with Tilt Stand | | | | |
| 168150 | 2,500 kg | 482 | 405 lb | \$3,195.00 |
| 168156 | 2,500 kg | 482 Plus | 405 lb | \$3,195.00 |
| 168151 | 5,000 kg | 482 | 405 lb | \$3,195.00 |
| 168157 | 5,000 kg | 482 Plus | 405 lb | \$3,195.00 |



†† CEE 7/7 plug



† NEMA 5-15 plug

Options/Accessories

| Part# | Description | Price |
|---------|---|---|
| Consult | Access ramps available | See catalog page 400 |
| Consult | Pit frames available | See catalog page 403 |
| Consult | Bumper guards available | See catalog page 406 through catalog page 408 |
| Consult | Portability frames available | See catalog page 409 through catalog page 414 |
| 18777 | Floor anchor plates, mild steel (set of 2) | \$38.00 |
| 19352 | Floor stand for indicator, 36.3 in high, mild steel | \$250.00 |
| 126384 | Floor stand for indicator, 48 in high, mild steel | \$275.00 |

Standard Features

- Package includes: RoughDeck HP 4 ft × 4 ft × 3.5 in floor scale, 20 ft of hostile environment load cell cable, quick disconnect and 482/482 Plus indicator
- Package is factory-calibrated for 5,000 divisions

Scale

- Heavy-duty design with structural steel under support
- Four NTEP certified alloy steel shear beam load cells
- Side-access JB4SS TuffSeal® junction box

Indicator

- LED display
- Time and date battery backed
- Numeric keypad (482 Plus only)
- Communication ports

RoughDeck Specifications

End Load Capacity:

- 100% full scale at 5,000 lb
- 80% full scale at 10,000 lb

Cable Length:

- 20 ft (6.1 m) for connecting junction box to indicator

Threaded Eyebolt:

- Hole (1/2-20 NF) located in center of deck for easy lifting

Warranty (limited):

- Weldment: Five-year
- Load cells: Two-year
- All other components: One-year

Approvals:

- NTEP CC 92-001, Class III 5,000 d
- Measurement Canada AM-4827, Class III 5,000 d

482/482 Plus Specifications

Communication Ports:

- Com 1: RS-232 full duplex
- Com 2: RS-232 full duplex or 20 mA simplex, continuous
- Both ports 1200, 2400, 4800, 9600, 19200, 38400 baud seven or eight data bits, even, odd or no parity

Display:

- LCD backlit display, transmissive/transflective
- 0.8 in (20 mm), six-digit, seven-segment

Annunciators:

- Gross, net, center of zero, standstill, lb, kg, tare, preset tare

Keys/Buttons:

- Flat membrane panel, embossed keys, tactile feel

Rating/Material:

- NEMA Type 4X/IP66
- Stainless steel

Approvals:

- NTEP 12-123
- Measurement Canada AM-5892C
- CE Marked
- cULus Listed

RoughDeck® Rough-n-Ready System

Floor Scale and 680 Indicator Package



Shown with optional floor stand for indicator

Approvals



Measurement Canada Approved



FLOOR SCALES

Part Number/Price

| Part# | Floor Scale Capacity | Indicator | Est. Weight | Price |
|--|----------------------|-----------|-------------|------------|
| † 115 VAC - 4 ft × 4 ft × 3.5 in RoughDeck (NTEP Certified) Indicator Package with Tilt Stand | | | | |
| 196661 | 5,000 lb | 680 | 405 lb | \$3,105.00 |
| 196662 | 10,000 lb | 680 | 405 lb | \$3,105.00 |
| †† 230 VAC - 4 ft × 4 ft × 3.5 in RoughDeck (NTEP Certified) Indicator Package with Tilt Stand | | | | |
| 196663 | 5,000 lb | 680 | 405 lb | \$3,105.00 |
| 196664 | 10,000 lb | 680 | 405 lb | \$3,105.00 |
| † 115 VAC 4 ft × 4 ft × 3.5 in RoughDeck (Canadian Weights and Measures Approved) Indicator Package with Tilt Stand | | | | |
| 196665 | 2,500 kg | 680 | 405 lb | \$3,105.00 |
| 196666 | 5,000 kg | 680 | 405 lb | \$3,105.00 |



†† CEE 7/7 plug



† NEMA 5-15 plug

Options/Accessories

| Part# | Description | Price |
|---------|---|---|
| Consult | Access ramps available | See catalog page 400 |
| Consult | Pit frames available | See catalog page 403 |
| Consult | Bumper guards available | See catalog page 406 through catalog page 408 |
| Consult | Portability frames available | See catalog page 409 through catalog page 414 |
| 18777 | Floor anchor plates, mild steel (set of 2) | \$38.00 |
| 19352 | Floor stand for indicator, 36.3 in high, mild steel | \$250.00 |
| 126384 | Floor stand for indicator, 48 in high, mild steel | \$275.00 |

Standard Features

- Package includes: RoughDeck HP 4 ft × 4 ft × 3.5 in floor scale, 20 ft of hostile environment load cell cable, quick disconnect and 680 indicator
- Package factory-calibrated for 5,000 divisions

Scale

- Heavy-duty design with structural steel under support
- Four NTEP certified alloy steel shear beam load cells
- Side-access JB4SS TuffSeal® junction box

Indicator

- Bright seven-digit, seven-segment LED display
- Battery backed time and date
- Full numeric keypad
- Communication ports

RoughDeck Specifications

End Load Capacity:

- 100% full scale at 5,000 lb
- 80% full scale at 10,000 lb

Cable Length:

- 20 ft (6.1 m) for connecting junction box to indicator

Threaded Eyebolt:

- Hole (1/2-20 NF) located in center of deck for easy lifting

Warranty (limited):

- Weldment: Five-year
- Load cells: Two-year
- All other components: One-year

Approvals:

- NTEP 92-001, Class III 5,000 d
- Measurement Canada AM-4827, Class III 5,000 d

680 Specifications

Communication Ports:

- Two full-duplex RS-232 RS-485/422 (five-wire)
- Micro USB (device)
- Ethernet TCP/IP (10/100)

Display:

- Seven 0.8 in tall, seven-segment digits

Annunciators:

- Eight LED annunciators

Keys/Buttons:

- Flat membrane panel, tactile feel (18 buttons plus on/off)

Rating/Material:

- IP69K (IP66 with RJ45)
- AISI 304 stainless Steel

Approvals:

- NTEP 19-021
- Measurement Canada AM-6121C
- OIML
- cULus Listed
- CE Marked



Standard Features

- Heavy-duty industrial design
- Structural steel channel frame
- Four NTEP Certified alloy steel, shear beam load cells
- 20 ft SURVIVOR® EL147HE hostile environment load cell cable
- Side-access junction box
- Rugged diamond deck safety treadplate
- 4 adjustable stainless steel SUREFOOT™ support feet
- 4 corner overload stops (Canadian versions only)
- Level bubble (Canadian versions only)

Specifications

End Load Capacity:

200% full scale at 1,000 lb
100% full scale at 2,000 lb, and 5,000 lb
80% full scale at 10,000 lb

Cable Length:

20 ft (6.1 m) for connecting junction box to indicator

Junction Box:

TuffSeal® JB4SS stainless steel, NEMA Type 4X junction box with signal trim card

Welding:

Stitch

Threaded Eyebolt:

Hole (1/2-20 NF) located in center of deck for easy lifting

Warranty (limited):

Weldment: Five-year
Load cells: Two-year
All other components: One-year

Approvals:

NTEP CC 92-001, Class III 5,000 d
Measurement Canada AM-4827, Class III 5,000 d

Approvals



Measurement
Canada
Approved



Part Number/Price

| Part # | Part # | Size (W × L × H) | Capacity | Est. Weight | Price |
|---|-------------------------|--------------------------|-----------|-------------|------------|
| With Quick Connector | Without Quick Connector | | | | |
| 66318 [†] | 67695 | 2.5 ft × 2.5 ft × 3.5 in | 2,000 lb | 173 lb | \$1,995.00 |
| 66320 [†] | 67693 | 3 ft × 3 ft × 3.5 in | 1,000 lb | 232 lb | \$1,995.00 |
| 66317 [†] | 67696 | 3 ft × 3 ft × 3.5 in | 2,000 lb | 232 lb | \$1,995.00 |
| 105300 [†] | 105301 | 3 ft × 3 ft × 3.5 in | 5,000 lb | 232 lb | \$1,995.00 |
| 66319 | 67694 | 4 ft × 4 ft × 3.5 in | 1,000 lb | 375 lb | \$2,120.00 |
| 67618 | 67697 | 4 ft × 4 ft × 3.5 in | 2,000 lb | 375 lb | \$2,120.00 |
| 66316 | 67698 | 4 ft × 4 ft × 3.5 in | 5,000 lb | 375 lb | \$2,120.00 |
| 66315 | 67699 | 4 ft × 4 ft × 3.5 in | 10,000 lb | 375 lb | \$2,120.00 |
| 66314 | 67700 | 4 ft × 5 ft × 3.5 in | 5,000 lb | 437 lb | \$2,330.00 |
| 66313 | 67701 | 4 ft × 5 ft × 3.5 in | 10,000 lb | 567 lb | \$3,130.00 |
| 66312 | 67702 | 4 ft × 6 ft × 3.5 in | 5,000 lb | 510 lb | \$2,510.00 |
| 66311 | 67703 | 4 ft × 6 ft × 3.5 in | 10,000 lb | 656 lb | \$3,310.00 |
| 66310 | 67704 | 5 ft × 5 ft × 3.5 in | 5,000 lb | 541 lb | \$2,545.00 |
| 66309 | 67705 | 5 ft × 5 ft × 3.5 in | 10,000 lb | 696 lb | \$3,345.00 |
| 66308 | 67706 | 5 ft × 6 ft × 3.5 in | 5,000 lb | 646 lb | \$2,810.00 |
| 66307 | 67707 | 5 ft × 6 ft × 3.5 in | 10,000 lb | 821 lb | \$3,810.00 |
| 66306 | 67708 | 5 ft × 7 ft × 3.5 in | 5,000 lb | 734 lb | \$3,025.00 |
| 66305 | 67709 | 5 ft × 7 ft × 3.5 in | 10,000 lb | 929 lb | \$4,025.00 |
| Canadian Weights and Measures Approved | | | | | |
| 191928 [†] | 191930 | 2.5 ft × 2.5 ft × 3.5 in | 1,000 kg | 173 lb | \$1,995.00 |
| 191949 [†] | 191950 | 3 ft × 3 ft × 3.5 in | 500 kg | 232 lb | \$1,995.00 |
| 66464 [†] | 67710 | 3 ft × 3 ft × 3.5 in | 1,000 kg | 232 lb | \$1,995.00 |
| 191931 [†] | 191932 | 3 ft × 3 ft × 3.5 in | 2,500 kg | 232 lb | \$1,995.00 |
| 191951 | 191952 | 4 ft × 4 ft × 3.5 in | 500 kg | 375 lb | \$2,120.00 |
| 191933 | 191934 | 4 ft × 4 ft × 3.5 in | 1,000 kg | 375 lb | \$2,120.00 |
| 66465 | 67711 | 4 ft × 4 ft × 3.5 in | 2,500 kg | 375 lb | \$2,120.00 |
| 66466 | 67712 | 4 ft × 4 ft × 3.5 in | 5,000 kg | 375 lb | \$2,120.00 |
| 191935 | 191936 | 4 ft × 5 ft × 3.5 in | 2,500 kg | 437 lb | \$2,330.00 |
| 191937 | 191938 | 4 ft × 5 ft × 3.5 in | 5,000 kg | 567 lb | \$3,130.00 |
| 191939 | 191940 | 4 ft × 6 ft × 3.5 in | 2,500 kg | 510 lb | \$2,510.00 |
| 191941 | 191942 | 4 ft × 6 ft × 3.5 in | 5,000 kg | 656 lb | \$3,310.00 |
| 66467 | 67713 | 5 ft × 5 ft × 3.5 in | 2,500 kg | 541 lb | \$2,545.00 |
| 66468 | 67714 | 5 ft × 5 ft × 3.5 in | 5,000 kg | 696 lb | \$3,345.00 |
| 191943 | 191944 | 5 ft × 6 ft × 3.5 in | 2,500 kg | 646 lb | \$2,810.00 |
| 191945 | 191946 | 5 ft × 6 ft × 3.5 in | 5,000 kg | 821 lb | \$3,810.00 |
| 66469 | 67715 | 5 ft × 7 ft × 3.5 in | 2,500 kg | 934 lb | \$3,025.00 |
| 66470 | 67716 | 5 ft × 7 ft × 3.5 in | 5,000 kg | 929 lb | \$4,025.00 |

[†] Not recommended for use with pallet jacks

RoughDeck® HP

High Performance Structural Steel Low-profile Floor Scale

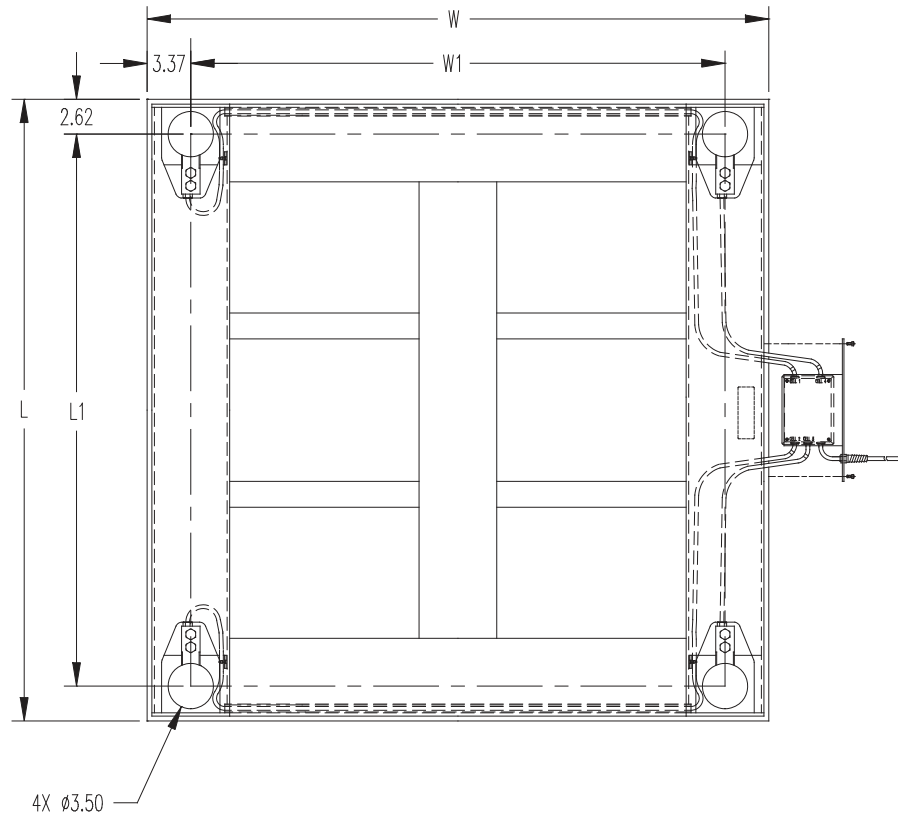
Options/Accessories

| Part # | Description | Price |
|---------|--|--|
| Consult | Access ramps available | See catalog page 400 |
| Consult | Pit frames available | See catalog page 403 |
| Consult | Bumper guards available | See catalog page 406 through catalog page 408 |
| Consult | Portability frames available | See catalog page 409 through catalog page 414 |
| Consult | Smooth deck instead of diamond safety treadplate | N/C |
| Consult | Four drilled deck holes for scale height adjustment | \$40.00 |
| 18777 | Floor anchor plates, mild steel (set of 2) | \$38.00 |
| 19352 | Floor stand for indicator, 36.3 in high, mild steel | \$250.00 |
| 126384 | Floor stand for indicator, 48 in high, mild steel | \$275.00 |
| Consult | Mild steel deck with RL32018S IP66 stainless steel cFMus approved load cells and hardware | +\$128.00 list price add-on |
| Consult | Mild steel deck with RL32218S-HE hermetically sealed IP69K stainless steel cFMus approved load cells and hardware | +\$468.00 list price add-on |
| Consult | Epoxy paint | +\$150.00 list price add-on |
| Consult | Top-access junction box | +\$100.00 list price add-on |
| Consult | Forklift channel option (up to 7 × 5 ft 10,000 lb, accommodates fork tines no larger than (W × H) 5 × 2 in, fork entry is on opposite side of junction box location) | +\$500.00 list price add-on |

Dimensions

| Length | L1 | W | W1 | H |
|----------|----------|----------|----------|---------|
| 30.00 in | 24.75 in | 30.00 in | 23.25 in | 3.50 in |
| 36.00 in | 30.75 in | 36.00 in | 29.25 in | 3.50 in |
| 48.00 in | 42.75 in | 48.00 in | 41.25 in | 3.50 in |
| 60.00 in | 54.75 in | 48.00 in | 41.25 in | 3.50 in |
| 72.00 in | 66.75 in | 48.00 in | 41.25 in | 3.50 in |
| 60.00 in | 54.75 in | 60.00 in | 53.25 in | 3.50 in |
| 72.00 in | 66.75 in | 60.00 in | 53.25 in | 3.50 in |
| 84.00 in | 78.75 in | 60.00 in | 53.25 in | 3.50 in |

Note: 1 in=25.4 mm.



RoughDeck® HP-H

High Performance Heavy Capacity Floor Scale



Approvals



Measurement
Canada
Approved



Capacities
greater
than
10,000kg

Part Number/Price

| Part # | Part # | Size (W x L x H) | Capacity | Est. Weight | Price |
|---|-------------------------|---------------------|-----------------------|-------------|-------------|
| With Quick Connector | Without Quick Connector | | | | |
| NTEP Approved | | | | | |
| 66474 | 67717 | 4 ft x 4 ft x 4 in | 20,000 lb (10,000 kg) | 601 lb | \$3,935.00 |
| 66475 | 67718 | 4 ft x 5 ft x 4 in | 20,000 lb (10,000 kg) | 775 lb | \$4,205.00 |
| 66476 | 67719 | 4 ft x 6 ft x 4 in | 20,000 lb (10,000 kg) | 926 lb | \$4,585.00 |
| 66477 | 67720 | 4 ft x 7 ft x 4 in | 20,000 lb (10,000 kg) | 1,135 lb | \$4,950.00 |
| 66478 | 67721 | 5 ft x 5 ft x 4 in | 20,000 lb (10,000 kg) | 926 lb | \$4,560.00 |
| 66479 | 67722 | 5 ft x 6 ft x 4 in | 20,000 lb (10,000 kg) | 1,104 lb | \$5,125.00 |
| 66480 | 67723 | 5 ft x 7 ft x 4 in | 20,000 lb (10,000 kg) | 1,377 lb | \$5,345.00 |
| 66481 | 67724 | 6 ft x 6 ft x 4 in | 20,000 lb (10,000 kg) | 1,319 lb | \$6,045.00 |
| 66482 | 67725 | 6 ft x 8 ft x 4 in | 20,000 lb (10,000 kg) | 1,861 lb | \$7,500.00 |
| 66483 | 67726 | 7 ft x 9 ft x 4 in | 20,000 lb (10,000 kg) | 2,408 lb | \$9,370.00 |
| 66484 | 67727 | 7 ft x 10 ft x 4 in | 20,000 lb (10,000 kg) | 2,959 lb | \$10,895.00 |
| 66485 | 67728 | 8 ft x 10 ft x 4 in | 20,000 lb (10,000 kg) | 3,108 lb | \$12,310.00 |
| 66486 | 67729 | 4 ft x 4 ft x 5 in | 30,000 lb (15,000 kg) | 675 lb | \$4,705.00 |
| 66487 | 67730 | 4 ft x 5 ft x 5 in | 30,000 lb (15,000 kg) | 839 lb | \$5,135.00 |
| 66488 | 67731 | 4 ft x 6 ft x 5 in | 30,000 lb (15,000 kg) | 1,071 lb | \$5,310.00 |
| 66489 | 67732 | 4 ft x 7 ft x 5 in | 30,000 lb (15,000 kg) | 1,200 lb | \$5,700.00 |
| 66490 | 67733 | 5 ft x 5 ft x 5 in | 30,000 lb (15,000 kg) | 1,021 lb | \$5,265.00 |
| 66491 | 67734 | 5 ft x 7 ft x 5 in | 30,000 lb (15,000 kg) | 1,448 lb | \$6,070.00 |
| 66492 | 67735 | 6 ft x 6 ft x 5 in | 30,000 lb (15,000 kg) | 1,438 lb | \$6,875.00 |
| 66493 | 67736 | 7 ft x 10 ft x 5 in | 30,000 lb (15,000 kg) | 3,372 lb | \$11,910.00 |
| 66494 | 67737 | 8 ft x 10 ft x 5 in | 30,000 lb (15,000 kg) | 3,699 lb | \$13,360.00 |
| Canadian Weights and Measures Approved | | | | | |
| 197355 | 197365 | 4 ft x 4 ft x 5 in | 30,000 lb (15,000 kg) | 675 lb | \$4,705.00 |
| 197356 | 197366 | 4 ft x 5 ft x 5 in | 30,000 lb (15,000 kg) | 839 lb | \$5,135.00 |
| 197357 | 197367 | 4 ft x 6 ft x 5 in | 30,000 lb (15,000 kg) | 1,071 lb | \$5,310.00 |
| 197358 | 197368 | 4 ft x 7 ft x 5 in | 30,000 lb (15,000 kg) | 1,200 lb | \$5,700.00 |
| 197359 | 197369 | 5 ft x 5 ft x 5 in | 30,000 lb (15,000 kg) | 1,021 lb | \$5,265.00 |
| 197360 | 197375 | 5 ft x 7 ft x 5 in | 30,000 lb (15,000 kg) | 1,448 lb | \$6,070.00 |
| 197361 | 197376 | 6 ft x 6 ft x 5 in | 30,000 lb (15,000 kg) | 1,438 lb | \$6,875.00 |
| 197363 | 197377 | 7 ft x 10 ft x 5 in | 30,000 lb (15,000 kg) | 3,372 lb | \$11,910.00 |
| 197364 | 197378 | 8 ft x 10 ft x 5 in | 30,000 lb (15,000 kg) | 3,699 lb | \$13,360.00 |

Standard Features

- Heavy-duty industrial design
- Structural steel channel frame
- Four NTEP Certified alloy steel, shear beam load cells
- 20 ft SURVIVOR® EL147HE hostile environment load cell cable
- Side-access junction box
- Rugged diamond safety treadplate deck
- Four adjustable mild steel SUREFOOT™ support feet

Specifications

End Load Capacity:

100% full scale at 20,000 lb
66% full scale at 30,000 lb

Cable Length:

20 ft (6.1 m) for connecting junction box to indicator

Junction Box:

TuffSeal® JB4SS stainless steel, NEMA Type 4X junction box with signal trim card

Welding:

Stitch

Threaded Eyebolt:

Hole (3/4-10 NC) located in center of deck for easy lifting

Warranty (limited):

Weldment: Five-year
Load cells: Two-year
All other components: One-year

Approvals:

NTEP CC 92-001, Class III, 5,000 d
Measurement Canada AM-5284
(Only capacities greater than 10,000 kg)

RoughDeck® HP-H

High Performance Heavy Capacity Floor Scale

Options/Accessories

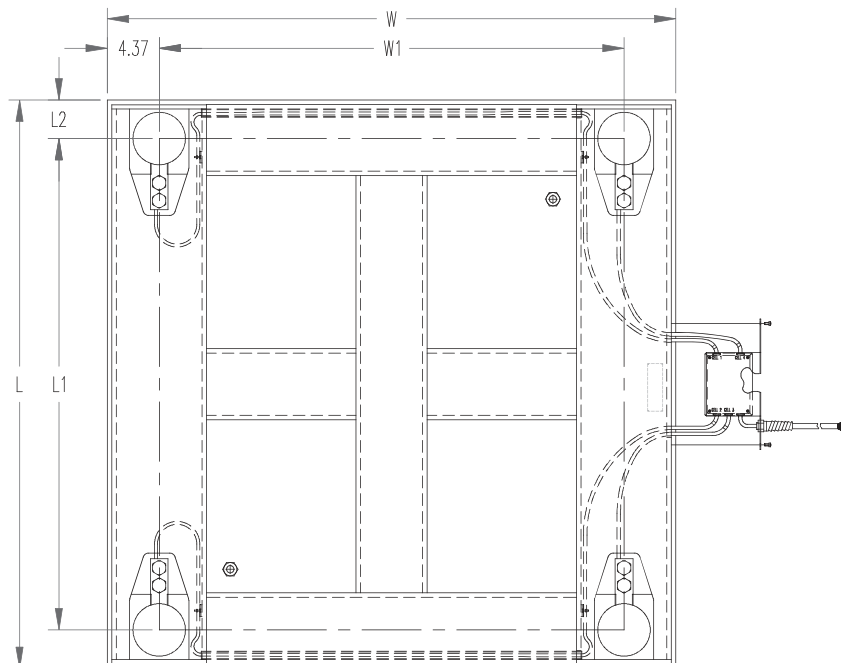
| Part # | Description | Price |
|---------|---|---|
| Consult | Access ramps available | See catalog page 400 |
| Consult | Pit frames available | See catalog page 403 |
| Consult | Bumper guards available | See catalog page 406 through catalog page 408 |
| Consult | Portability frames available | See catalog page 409 through catalog page 414 |
| Consult | Smooth deck instead of diamond safety treadplate | No charge |
| 40387 | Anchor plate set, mild steel, 20,000 lb capacity models (optional) | \$51.00 |
| 40388 | Anchor plate set, mild steel, 30,000 lb capacity models (optional) | \$51.00 |
| Consult | Four drilled deck holes for scale height adjustment | \$40.00 |
| 19352 | Floor stand for indicator, 36.3 in high, mild steel | \$250.00 |
| 126384 | Floor stand for indicator, 48 in high, mild steel | \$275.00 |
| Consult | Mild steel deck with RL32018S IP66 stainless steel cFMus approved load cells and hardware | +\$168.00 list price add-on |
| Consult | Mild steel deck with RL32218S-HE welded-seal IP69K stainless steel cFMus approved load cells and hardware | +\$316.00 list price add-on |
| Consult | Epoxy paint | +\$150.00 list price add-on |
| Consult | Top-access junction box | +\$100.00 list price add-on |

Dimensions

| Length | L1 | W | W1 | H | Length | L1 | W | W1 | H |
|------------------------|-----------|----------|----------|---------|------------------------|-----------|----------|----------|---------|
| 20,000 Capacity | | | | | 30,000 Capacity | | | | |
| 48.00 in | 41.50 in | 48.00 in | 39.25 in | 4.00 in | 48.00 in | 40.50 in | 48.00 in | 39.25 in | 5.00 in |
| 60.00 in | 53.50 in | 48.00 in | 39.25 in | 4.00 in | 60.00 in | 52.50 in | 48.00 in | 39.25 in | 5.00 in |
| 72.00 in | 65.50 in | 48.00 in | 39.25 in | 4.00 in | 72.00 in | 64.50 in | 48.00 in | 39.25 in | 5.00 in |
| 84.00 in | 77.50 in | 48.00 in | 39.25 in | 4.00 in | 84.00 in | 76.50 in | 48.00 in | 39.25 in | 5.00 in |
| 60.00 in | 53.50 in | 60.00 in | 51.25 in | 4.00 in | 60.00 in | 52.50 in | 60.00 in | 51.25 in | 5.00 in |
| 72.00 in | 65.50 in | 60.00 in | 51.25 in | 4.00 in | 84.00 in | 76.50 in | 60.00 in | 51.25 in | 5.00 in |
| 84.00 in | 77.50 in | 60.00 in | 51.25 in | 4.00 in | 72.00 in | 64.50 in | 72.00 in | 63.25 in | 5.00 in |
| 72.00 in | 65.50 in | 72.00 in | 63.25 in | 4.00 in | 120.00 in | 112.50 in | 84.00 in | 75.25 in | 5.00 in |
| 96.00 in | 89.50 in | 72.00 in | 63.25 in | 4.00 in | 120.00 in | 112.50 in | 96.00 in | 87.25 in | 5.00 in |
| 180.00 in | 101.50 in | 84.00 in | 75.25 in | 4.00 in | | | | | |
| 120.00 in | 113.50 in | 84.00 in | 75.25 in | 4.00 in | | | | | |
| 120.00 in | 113.50 in | 96.00 in | 87.25 in | 4.00 in | | | | | |

Note: 1 in=25.4 mm.

Note: 1 in=25.4 mm.





Approvals

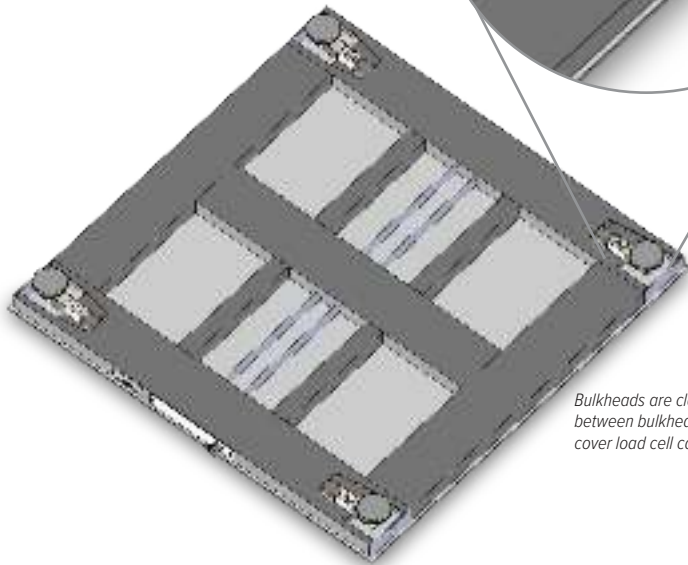
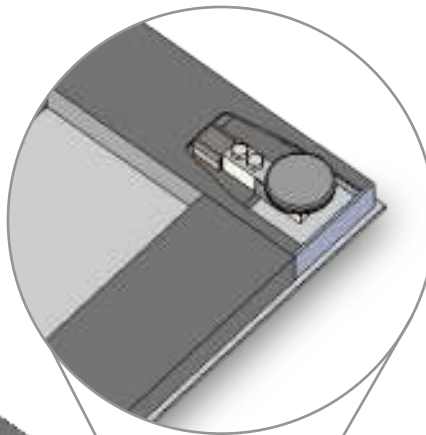


Part Number/Price

| Part # | Size (W × L × H) | Capacity | Est. Weight | Price |
|--------|----------------------|-----------|-------------|------------|
| 195834 | 4 ft × 4 ft × 3.5 in | 5,000 lb | 375 lb | \$2,540.00 |
| 195835 | 4 ft × 4 ft × 3.5 in | 10,000 lb | 375 lb | \$2,540.00 |
| 195836 | 5 ft × 5 ft × 3.5 in | 5,000 lb | 541 lb | \$3,000.00 |
| 195837 | 5 ft × 5 ft × 3.5 in | 10,000 lb | 696 lb | \$3,840.00 |

Options/Accessories

| Part # | Description | Price |
|--------|--|---------|
| 18777 | Floor anchor plates, mild steel (set of 2) | \$38.00 |



Bulkheads are closed; there is a cap/cover between bulkhead and back of load cell to cover load cell cable

Standard Features

- Heavy-duty industrial design
- Structural steel channel frame
- Four NTEP Certified alloy steel, shear beam load cells
- 20 ft SURVIVOR® EL147HE hostile environment load cell cable with 1/2-inch conduit fitting (conduit for homerun cable to be supplied by customer)
- Top-access junction box with additional top access cover for routing load cell cable into scale conduit
- Rugged diamond deck safety treadplate
- Four adjustable stainless steel SUREFOOT™ support feet

Specifications

End Load Capacity:

- 100% full scale at 5,000 lb
- 80% full scale at 10,000 lb

Cable Length:

- 20 ft (6.1 m) for connecting junction box to indicator
- Note: 1/2 in conduit fitting supplied, conduit for home run cable to be supplied by customer

Junction Box:

- TuffSeal® JB4SS stainless steel, NEMA Type 4X junction box with signal trim card

Welding:

- Stitch

Threaded Eyebolt:

- Hole (1/2-20 NF) located in center of deck for easy lifting

Warranty (limited):

- Weldment: Five-year
- Load cells: Two-year
- All other components: One-year

Approvals:

- NTEP CC 92-001, Class III 5,000 d

RoughDeck® PC

Pancake Deck Cargo Scale

FLOOR SCALES



Standard Features

- Foot adjustment holes for leveling scale from above
- Four ball-encapsulated feet
- Four IP66, alloy steel 10,000 lb load cells
- Top-access junction box
- Epoxy paint for added protection. Ramps are painted yellow and scale is painted black to easily distinguish live weighing surface.
- 20 ft SURVIVOR® EL147HE hostile environment load cell cable to connect scale to indicator. Cable can exit scale/ramp from any corner.
- Scale and wraparound ramps to access scale from all sides
- Ramps have integrated foot keeper plates to keep scale in check with ramps
- Holes in ramps to access internal anchor tabs from above. 16 anchor bolts at 3/4 in included.
- All surfaces diamond tread

Specifications

End Load Capacity:

100% full scale at 20,000 lb

Cable Length:

20 ft (6.1 m) for connecting junction box to indicator

Junction Box:

TuffSeal® JB4SS stainless steel, NEMA Type 4X junction box with signal trim card

Welding:

Stitch

Threaded Eyebolt:

Four holes (3/4-10 NC)

Warranty (limited):

Weldment: Five-year
Load cells: Two-year
All other components: One-year

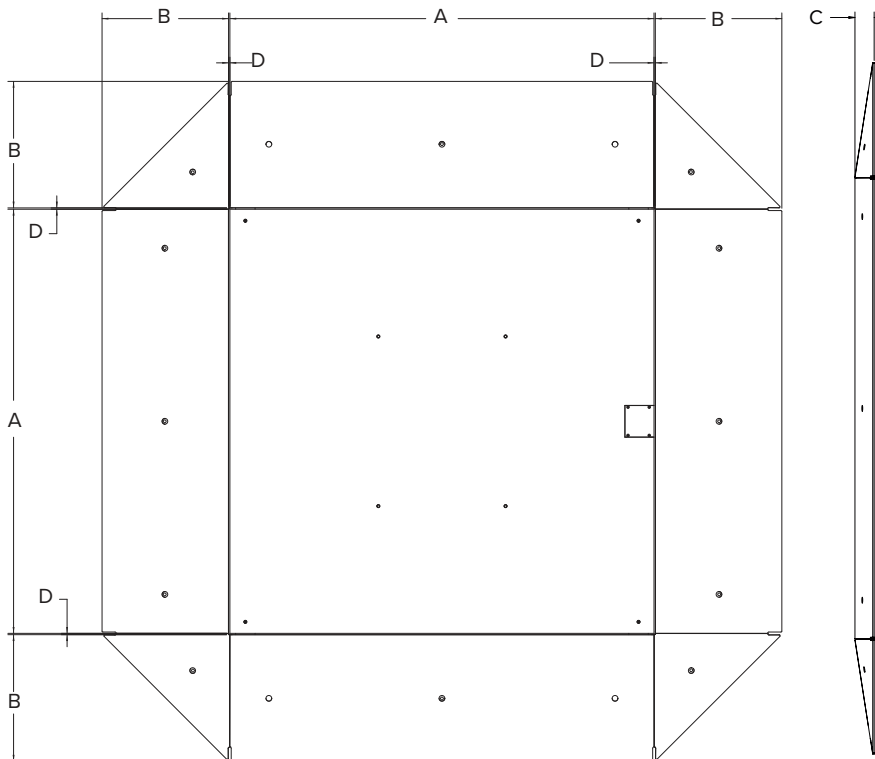
Part Number/Price

| Part # | Overall Size (W × L × H) | Ramp Angle of Incline | Capacity | Est. Weight | Price |
|--------|---|-----------------------|-----------|-------------|-------------|
| 194338 | Scale: 10 ft × 10 ft × 4 3/8 in Ramps: (4) 3 ft × 10 ft × 4 3/8 in Corners: (4) 3 ft × 4 ft 1 in × 4 3/8 in | 6.5° | 20,000 lb | 6,800 lb | \$26,795.00 |

Dimensions

| RoughDeck PC | | | |
|--------------|-----------|---|---------|
| A | 120.00 in | C | 4.37 in |
| B | 35.80 in | D | 0.38 in |

Note: 1 in=25.4 mm





Approvals

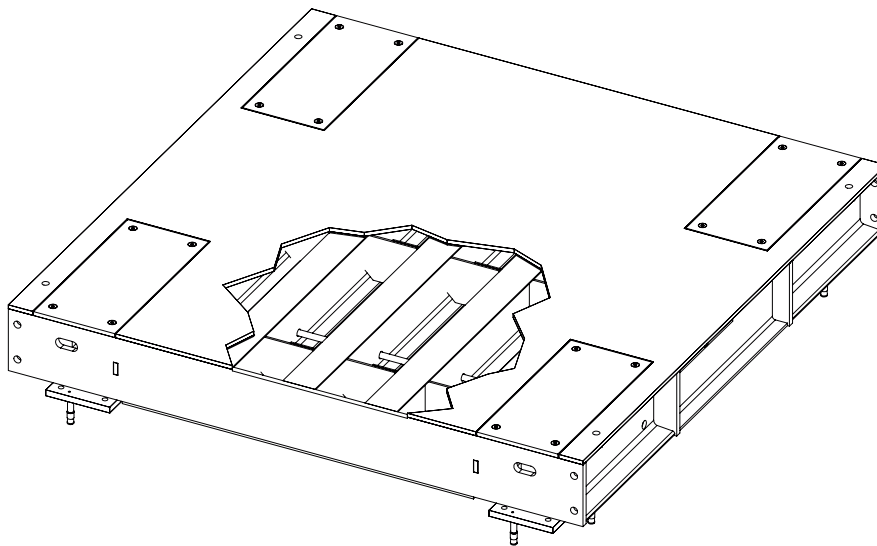


Part Number/Price

| Part # | Size (W × LW × H) | Capacity | Est. Weight | Price |
|--------|---------------------|-----------------------|-------------|-------------|
| 107493 | 5 ft × 5 ft × 11 in | 40,000 lb (20,000 kg) | 1,900 lb | \$15,750.00 |
| 107494 | 5 ft × 5 ft × 11 in | 60,000 lb (30,000 kg) | 1,900 lb | \$15,750.00 |
| 107495 | 5 ft × 5 ft × 11 in | 80,000 lb (40,000 kg) | 1,900 lb | \$15,750.00 |
| 107496 | 6 ft × 6 ft × 11 in | 40,000 lb (20,000 kg) | 2,575 lb | \$17,850.00 |
| 107497 | 6 ft × 6 ft × 11 in | 60,000 lb (30,000 kg) | 2,575 lb | \$17,850.00 |
| 107498 | 6 ft × 6 ft × 11 in | 80,000 lb (40,000 kg) | 2,575 lb | \$17,850.00 |

Options/Accessories

| Part # | Description | Price |
|---------|------------------------------------|------------|
| 114678 | V-Top coil cradle (5 × 5 ft scale) | \$6,500.00 |
| 114684 | V-Top coil cradle (6 × 6 ft scale) | \$8,100.00 |
| Consult | Pit coping | Consult |



Standard Features

- Capacities: 40,000 to 80,000 lb; consult factory for custom capacities
- Deck thickness: 1/2 in smooth top plate
- MVS self-checking mounting system, top access to load cells
- Black epoxy paint
- 20 ft SURVIVOR® EL147HE hostile environment load cell cable
- Ships unassembled with eight concrete anchor bolts

Specifications

Capacities:

Scale, load cell mount :
 40,000 lb: Qty 4 50,000 lb each
 60,000 lb: Qty 4 50,000 lb each
 80,000 lb: Qty 4 75,000 lb each

Understructure Clearance:

1.91 in minimum

Cable Length:

20 ft (6.1 m) for connecting junction box to indicator

Junction Box:

TuffSeal® JB4SS stainless steel, NEMA Type 4X junction box with signal trim card

Welding:

Stitch

Warranty (limited):

Weldment: Five-year
 Load cells: Two-year
 All other components: One-year

Approvals:

NTEP CC 11-068, Class III, 5,000 d

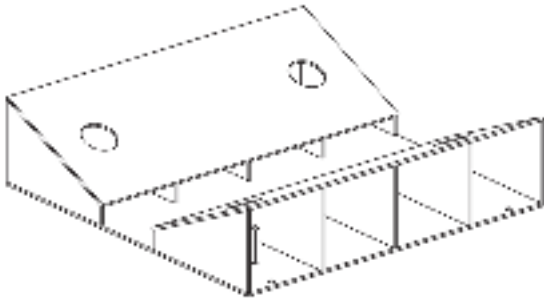
RoughDeck® CS

Coil Floor Scale

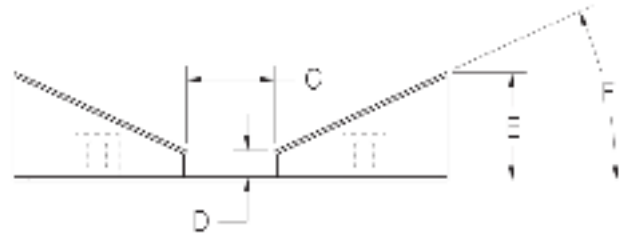
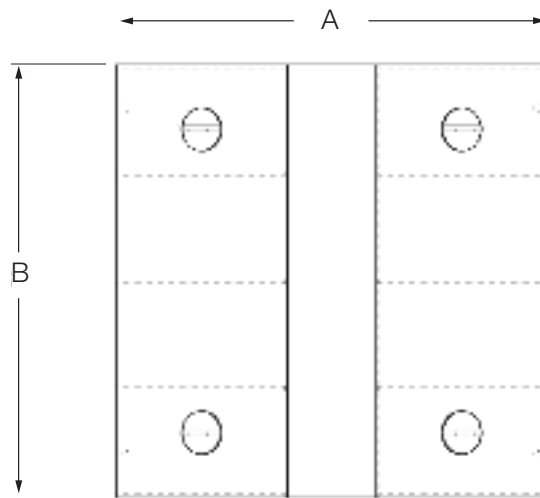
Dimensions

| RoughDeck CS | | | |
|----------------------------|----------|---|----------|
| 5 × 5 ft V-Top Coil Cradle | | | |
| A | 60.00 in | D | 3.64 in |
| B | 60.00 in | E | 14.95 in |
| C | 12.30 in | F | 25° |
| 6 × 6 ft V-Top Coil Cradle | | | |
| A | 72.00 in | D | 3.99 in |
| B | 72.00 in | E | 14.96 in |
| C | 22.62 in | F | 24° |

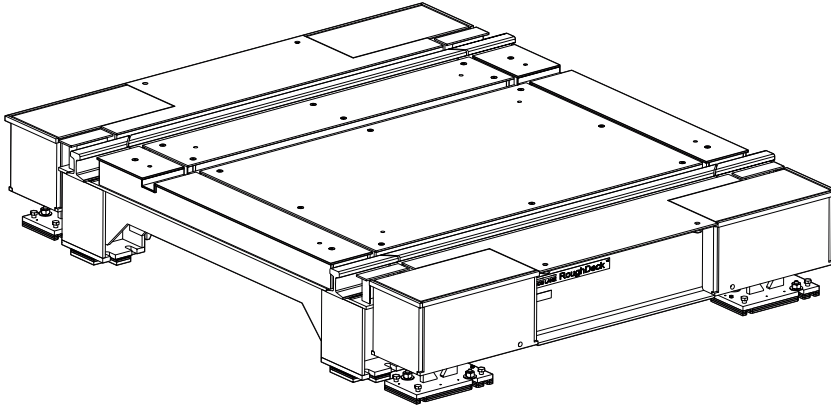
Note: 1 in=25.4 mm



V-Top Coil Cradle



FLOOR SCALES



Scale Capacity: _____

Rail Size: _____

Note: Rails to be welded on-site

New Installation or Existing? New Existing

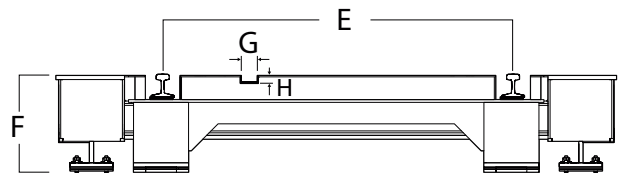
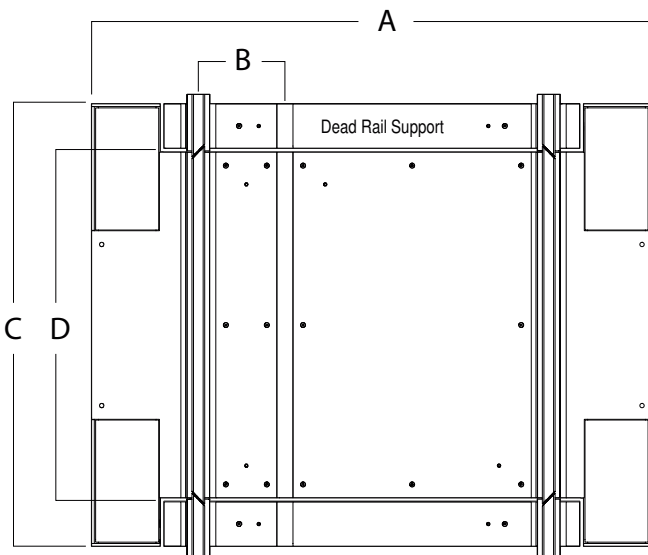
Size of Cart: _____

Size of Wheel Base: _____

Cable Through Required? Yes No

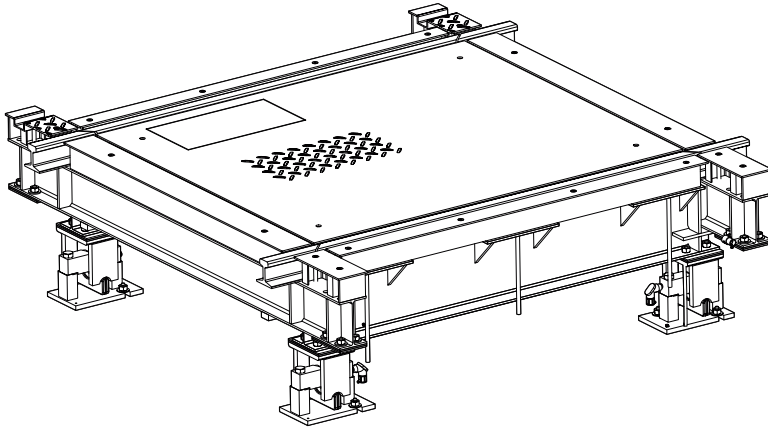
Grout or Shim Installation? Grout Shim

| Scale Size | |
|---|--|
| A (Pit Width) | |
| B (Rail to Channel On Center) | |
| C (Pit Opening) | |
| D (Scale Length) | |
| E (Rail Width On Center) | |
| F (Pit Depth) | |
| G (Cable Channel Width) | |
| H (Cable Channel Depth) | |



RoughDeck® CS Rail Car

Under Beam Mount Coil Scale



FLOOR SCALES

Scale Capacity: _____

Rail Size: _____

Note: Rails to be welded onsite

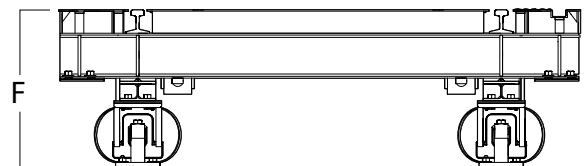
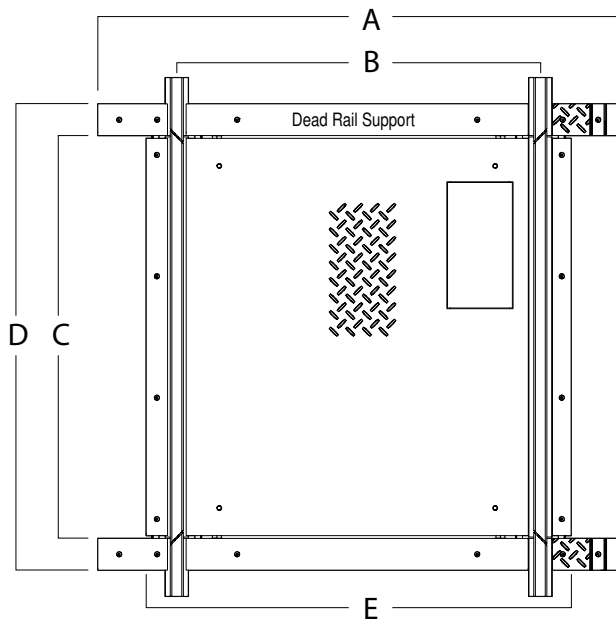
New Installation or Existing? New Existing

Size of Cart: _____

Size of Wheel Base: _____

Grout or Shim Installation? Grout Shim

| Scale Size | |
|------------------------------------|--|
| A (Dead Rail Beam) | |
| B (Rail Width On Center) | |
| C (Scale Length) | |
| D (Pit Opening) | |
| E (Scale Width) | |
| F (Pit Depth) | |





Approvals



Part Number/Price

| NTEP Approved Part # | Measurement Canada Approved Part # | Size (W × L × H) | Capacity | Est. Weight | Price |
|----------------------|------------------------------------|--------------------------|----------------------|-------------|-------------|
| 18663 [†] | 191958 [†] | 2.5 ft × 2.5 ft × 3.5 in | 2,000 lb (1,000 kg) | 173 lb | \$3,150.00 |
| 46239 [†] | 191959 [†] | 3 ft × 3 ft × 3.5 in | 1,000 lb (500 kg) | 232 lb | \$3,625.00 |
| 18664 [†] | 191960 [†] | 3 ft × 3 ft × 3.5 in | 2,000 lb (1,000 kg) | 232 lb | \$3,625.00 |
| 46241 | 191961 | 4 ft × 4 ft × 3.5 in | 1,000 lb (500 kg) | 375 lb | \$5,200.00 |
| 18665 | 191962 | 4 ft × 4 ft × 3.5 in | 5,000 lb (2,500 kg) | 375 lb | \$5,200.00 |
| 18666 | 191964 | 4 ft × 4 ft × 3.5 in | 10,000 lb (5,000 kg) | 490 lb | \$7,200.00 |
| 18667 | 191965 | 4 ft × 5 ft × 3.5 in | 5,000 lb (2,500 kg) | 437 lb | \$5,940.00 |
| 18668 | 191966 | 4 ft × 5 ft × 3.5 in | 10,000 lb (5,000 kg) | 567 lb | \$8,415.00 |
| 18671 | 191967 | 5 ft × 5 ft × 3.5 in | 5,000 lb (2,500 kg) | 541 lb | \$7,635.00 |
| 18672 | 191968 | 5 ft × 5 ft × 3.5 in | 10,000 lb (5,000 kg) | 696 lb | \$9,815.00 |
| 18675 | 191969 | 5 ft × 7 ft × 3.5 in | 5,000 lb (2,500 kg) | 734 lb | \$10,115.00 |
| 18676 | 191970 | 5 ft × 7 ft × 3.5 in | 10,000 lb (5,000 kg) | 929 lb | \$12,940.00 |

[†] Not recommended for use with pallet jacks

Options/Accessories

| Part # | Description | Price |
|---------|---|---|
| Consult | Access ramps available | See catalog page 400 |
| Consult | Pit frames available | See catalog page 403 |
| Consult | Bumper guards available | See catalog page 406 through catalog page 408 |
| Consult | Portability frames available | See catalog page 409 through catalog page 414 |
| 18778 | Floor anchor plates, stainless steel (set of 2) | \$50.00 |
| Consult | Four drilled deck holes for scale height adjustment | \$40.00 |
| Consult | Top-access junction box | +\$100.00 list price add-on |
| Consult | Stainless steel deck with RL32218S-HE hermetically sealed IP69K stainless steel cFMus approved load cells and hardware | +\$340.00 list price add-on |
| 28740 | Floor stand for indicator, 36.3 in high, stainless steel | \$340.00 |
| Consult | Stainless steel diamond treadplate safety deck | Consult |
| Consult | Forklift channel option up to 5 × 7 ft, 10,000 lb, accommodates fork tines no larger than (W × H) 5 × 2 in, fork entry is on opposite side of junction box location | +\$1,700.00 list price add-on |

Standard Features

- Rugged non-corrosive design
- 304 stainless steel construction
- Rigid stainless steel channel frame
- Four stainless steel, NTEP Certified, IP66 shear beam load cells
- 20 ft of SURVIVOR® EL147HE hostile environment load cell cable
- Side access junction box
- Smooth stainless steel deck
- Four adjustable stainless steel SUREFOOT™ support feet

Specifications

End Load Capacity:

- 200% full scale at 1,000 lb
- 100% full scale at 2,000 lb and 5,000 lb
- 80% full scale at 10,000 lb

Cable Length:

- 20 ft (6.1 m) (for connecting junction box to indicator)

Scale Weldment:

- AISI304L, glass bead blasted for even appearance

Junction Box:

- TuffSeal® JB4SS stainless steel, NEMA Type 4X junction box with signal trim card

Welding:

- Stitch, consult factory if continuous is required

Threaded Eyebolt:

- Hole (1/2-20 NF) located in center of deck for easy lifting

Warranty (limited):

- Weldment: Five-year
- Load cells: Two-year
- All other components: One-year

Approvals:

- NTEP CC 92-001, Class III 5,000 d
- Measurement Canada AM-4827, Class III 5,000 d

RoughDeck® HE

Hostile Environment Stainless Steel Floor Scale



Approvals



Measurement
Canada
Approved



Part Number/Price

| NTEP Approved Part # | Measurement Canada Approved Part # | Size (W × L × H) | Capacity | Est. Weight | Price |
|----------------------|------------------------------------|--------------------------|----------------------|-------------|-------------|
| 18680† | 193293 | 2.5 ft × 2.5 ft × 3.5 in | 2,000 lb (1,000 kg) | 173 lb | \$3,490.00 |
| 18681† | 193294 | 3 ft × 3 ft × 3.5 in | 2,000 lb (1,000 kg) | 232 lb | \$3,965.00 |
| 18682 | 193296 | 4 ft × 4 ft × 3.5 in | 5,000 lb (2,500 kg) | 375 lb | \$5,540.00 |
| 18683 | 193297 | 4 ft × 4 ft × 3.5 in | 10,000 lb (5,000 kg) | 490 lb | \$7,540.00 |
| 18684 | 193298 | 4 ft × 5 ft × 3.5 in | 5,000 lb (2,500 kg) | 437 lb | \$6,280.00 |
| 18685 | 193307 | 4 ft × 5 ft × 3.5 in | 10,000 lb (5,000 kg) | 567 lb | \$8,755.00 |
| 18688 | 193308 | 5 ft × 5 ft × 3.5 in | 5,000 lb (2,500 kg) | 541 lb | \$7,975.00 |
| 18689 | 193309 | 5 ft × 5 ft × 3.5 in | 10,000 lb (5,000 kg) | 696 lb | \$10,155.00 |
| 18692 | 193310 | 5 ft × 7 ft × 3.5 in | 5,000 lb (2,500 kg) | 734 lb | \$10,455.00 |
| 18693 | 193311 | 5 ft × 7 ft × 3.5 in | 10,000 lb (5,000 kg) | 929 lb | \$13,280.00 |

†Not recommended for use with pallet jacks

Options/Accessories

| Part # | Description | Price |
|---------|---|---|
| Consult | Access ramps available | See catalog page 400 |
| Consult | Pit frames available | See catalog page 403 |
| Consult | Bumper guards available | See catalog page 406 through catalog page 408 |
| Consult | Portability frames available | See catalog page 409 through catalog page 414 |
| 18778 | Floor anchor plates, stainless steel (set of two) | \$50.00 |
| Consult | Four drilled deck holes for scale height adjustment | \$40.00 |
| 28740 | Floor stand for indicator, 36.3 in high, stainless steel | \$340.00 |
| Consult | Stainless steel diamond treadplate safety deck | Consult |
| Consult | Forklift channel option up to 5 × 7 ft, 10,000 lb, accommodates fork tines no larger than (W × H) 5 × 2 in, fork entry is on opposite side of junction box location | +\$1,700.00 list price add-on |

Standard Features

- Rugged washdown design
- 304 stainless steel construction
- Rigid 304 stainless steel channel frame
- Four stainless steel, hermetically sealed, IP69K shear beam load cells
- 20 ft of SURVIVOR® EL147HE hostile environment load cell cable
- Load cells protected on all four sides
- Smooth stainless steel deck
- Remote mounted junction box

Specifications

End Load Capacity:

100% full scale at 2,000 lb and 5,000 lb
80% full scale at 10,000 lb

Cable Length:

20 ft (6.1 m)

Scale Weldment:

AISI304L, glass bead blasted for even appearance

Junction Box:

TuffSeal® JB4SS stainless steel, NEMA Type 4X junction box with signal trim card

Welding:

Stitch, consult factory if continuous is required

Threaded Eyebolt:

Hole (1/2-20 NF) located in center of deck for easy lifting

Warranty (limited):

Weldment: Five-year
Load cells: Two-year
All other components: One-year

Approvals:

NTEP Certified, CC 92-001 Class III 5,000 d
Measurement Canada AM-4827, Class III 5,000 d



Approvals



Measurement
Canada
Approved



The pneumatic
control box must
be located in the
safe area.

Part Number/Price

| Part # | Size (W × L) | Capacity | Est. Weight | Price |
|--------|--------------|----------------------|-------------|-------------|
| 42207 | 4 × 4 ft | 2,000 lb (1,000 kg) | 640 lb | \$18,140.00 |
| 42208 | 4 × 4 ft | 5,000 lb (2,500 kg) | 640 lb | \$18,140.00 |
| 42209 | 4 × 4 ft | 10,000 lb (5,000 kg) | 750 lb | \$18,735.00 |
| 42211 | 5 × 5 ft | 2,000 lb (1,000 kg) | 830 lb | \$23,075.00 |
| 42212 | 5 × 5 ft | 5,000 lb (2,500 kg) | 830 lb | \$23,075.00 |
| 42213 | 5 × 5 ft | 10,000 lb (5,000 kg) | 1,050 lb | \$23,455.00 |

Options/Accessories

| Part # | Description | Price |
|---------|---|----------|
| Consult | Four drilled deck holes for scale height adjustment | \$40.00 |
| 28740 | Floor stand for indicator, 36.3 in high stainless steel | \$340.00 |

Standard Features

- Includes scale, pit frame, pit coping and pneumatic control box
- Rugged washdown design
- 304 stainless steel construction
- Rigid 304 stainless steel channel frame
- Meets HACCP requirements
- Manual, drop-in-place, safety bar
- Four stainless steel, hermetically sealed, IP69K shear beam load cells
- Load cells protected on all four sides
- 20 ft of SURVIVOR® hostile environment load cell cable
- Smooth stainless steel deck
- Four adjustable stainless steel SUREFOOT™ support feet
- Requires 85 to 100 psi air pressure, opens 43 degrees
- Air lines and pneumatic regulator included; conduit for load cell cable from junction box to indicator is not included

Specifications

End Load Capacity:

100% full scale at 2,000 lb and 5,000 lb
80% full scale at 10,000 lb

Cable Length:

20 ft (6.1 m)

Scale Weldment:

AISI304L, glass bead blasted for even appearance

Junction Box:

TuffSeal® JB4SS stainless steel, NEMA Type 4X junction box with signal trim card

Welding:

Stitch, consult factory if continuous is required

Threaded Eyebolt:

Hole (1/2-20 NF) located in center of deck for easy lifting

Warranty (limited):

Weldment: Five-year
Load cells: Two-year
All other components: One-year

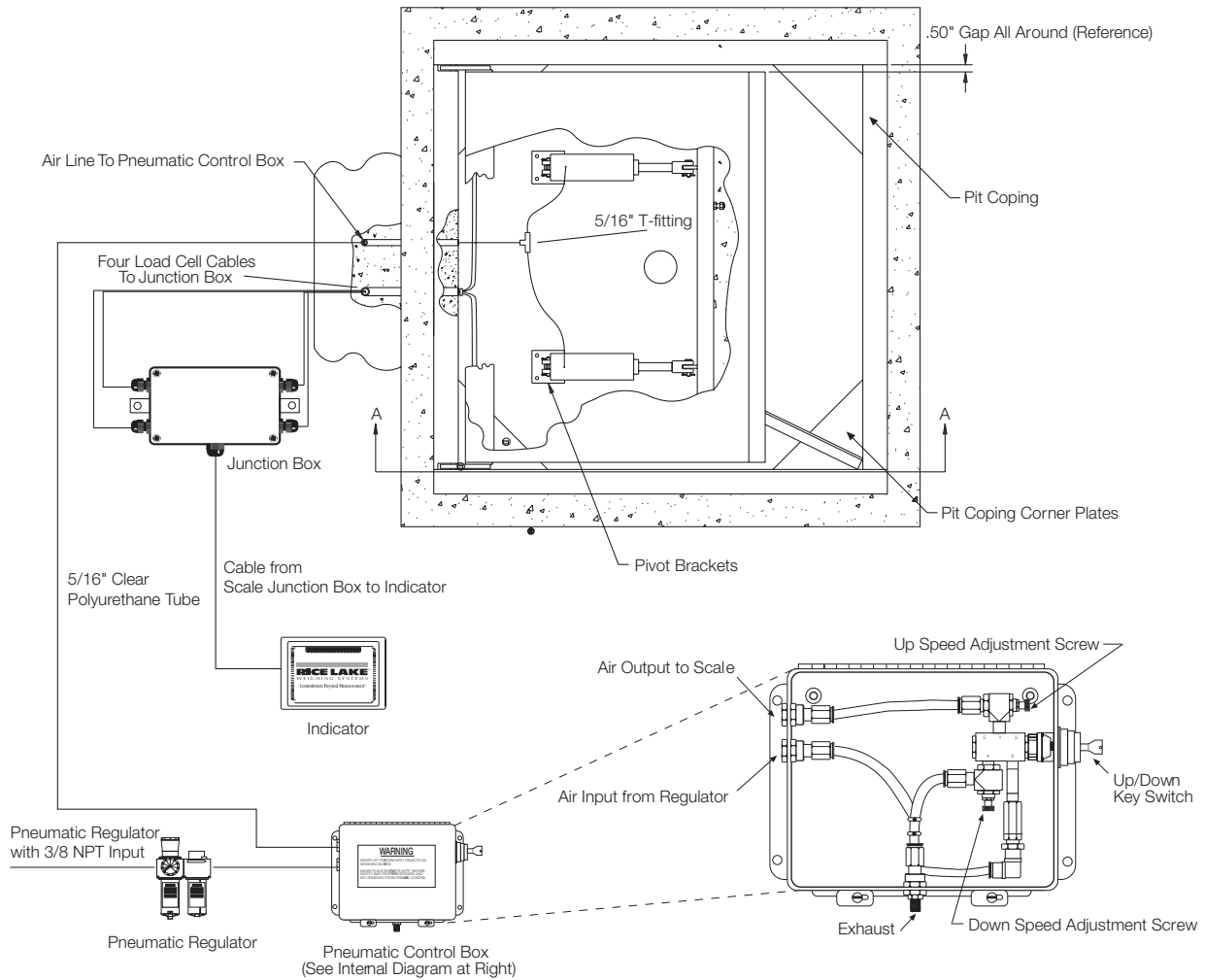
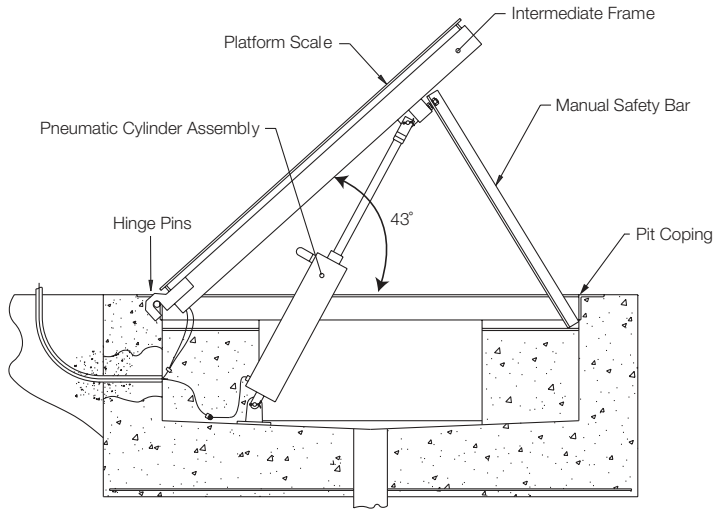
Approvals:

NTEP 92-001
Measurement Canada
FM

AutoLift HE

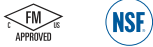
Pit-type, Hostile Environment Stainless Steel Lift Floor Scale

FLOOR SCALES





Approvals



Part Number/Price

| Part # | Size (W × L × H) | Capacity | Est. Weight | Price |
|--------------------------------|------------------------|----------------------|-------------|-------------|
| Smooth Top Plate | | | | |
| 175686 | 4 ft × 4 ft × 4.625 in | 5,000 lb (2,500 kg) | 650 lb | \$12,895.00 |
| 175689 | 4 ft × 4 ft × 4.625 in | 10,000 lb (5,000 kg) | 650 lb | \$12,895.00 |
| 175694 | 5 ft × 5 ft × 4.625 in | 5,000 lb (2,500 kg) | 950 lb | \$17,795.00 |
| 175695 | 5 ft × 5 ft × 4.625 in | 10,000 lb (5,000 kg) | 950 lb | \$17,795.00 |
| Diamond Tread Top Plate | | | | |
| 175688 | 4 ft × 4 ft × 4.625 in | 5,000 lb (2,500 kg) | 650 lb | \$13,775.00 |
| 175690 | 4 ft × 4 ft × 4.625 in | 10,000 lb (5,000 kg) | 650 lb | \$13,755.00 |
| 175696 | 5 ft × 5 ft × 4.625 in | 5,000 lb (2,500 kg) | 950 lb | \$19,170.00 |
| 175697 | 5 ft × 5 ft × 4.625 in | 10,000 lb (5,000 kg) | 950 lb | \$19,170.00 |

Options/Accessories

| Part # | Description | Price | |
|--|--|------------------------------|------------|
| 28740 | Floor stand for indicator, 36.3 in high, stainless steel | \$340.00 | |
| 18778 | Floor anchor plates, stainless steel (set of two) | \$50.00 | |
| Pit Frames (L × W) | | | |
| 175691 | 4 × 4 ft | \$2,435.00 | |
| 175698 | 5 × 5 ft | \$2,635.00 | |
| Ramps (Diamond Treadplate Standard) | | Ramp Angle of Incline | |
| 175692 | 4 ft × 3 ft × 4.625 in, fits hinge/handhole side | 7.0° | \$4,395.00 |
| 175693 | 4 ft × 4 ft × 4.625 in, fits hinge/handhole side | 5.2° | \$5,035.00 |
| 175699 | 5 ft × 3 ft × 4.625 in, fits hinge/handhole side | 7.0° | \$5,035.00 |
| 175700 | 5 ft × 4 ft × 4.625 in, fits hinge/handhole side | 5.2° | \$5,585.00 |
| 178840 | 4 ft × 3 ft × 4.625 in, fits side of scale | 7.0° | \$4,395.00 |
| 178849 | 4 ft × 4 ft × 4.625 in, fits side of scale | 5.2° | \$5,035.00 |
| 178850 | 5 ft × 3 ft × 4.625 in, fits side of scale | 7.0° | \$5,035.00 |
| 178851 | 5 ft × 4 ft × 4.625 in, fits side of scale | 5.2° | \$5,585.00 |

Standard Features

- Rugged washdown design, rigid 304 stainless steel frame constructed with continuous welds
- Meets HACCP requirements
- Manual drop-in-place safety bars
- Four stainless steel, hermetically sealed, IP69K shear beam load cells with 30 ft cables
- 20 ft of SURVIVOR® EL147HE hostile environment cable for connecting junction box to indicator
- Remote junction box can be mounted up to 15 ft away
- 1/4 in top plate
- Four adjustable stainless steel SUREFOOT™ support feet
- Top plate opens 75 degrees
- Tool-less top plate lock downs
- Top plate available with a smooth deck or diamond treadplate
- Two 1/2-20 NF threaded eyebolt holes for lifting scale into pit frame

Specifications

End Load Capacity:

- 100% full scale at 5,000 lb
- 80% full scale at 10,000 lb

Cable Length:

- 20 ft (6.1 m) for connecting junction box to indicator

Scale Weldment:

- AISI304L, glass bead blasted for even appearance

Junction Box:

- TuffSeal® JB4SS stainless steel, NEMA Type 4X junction box with signal trim card

Welding:

- Continuous

Threaded Eyebolt:

- Two 1/2-20 NF threaded eyebolt holes for lifting scale into pit frame

Warranty (limited):

- Weldment: Five-year
- Load cells: Two-year
- All other components: One-year

Approvals:

- cFMus
- NSF

RoughDeck® QC-X

Quick Clean Extreme Lift Floor Scale with Solid Plate Base

FLOOR SCALES



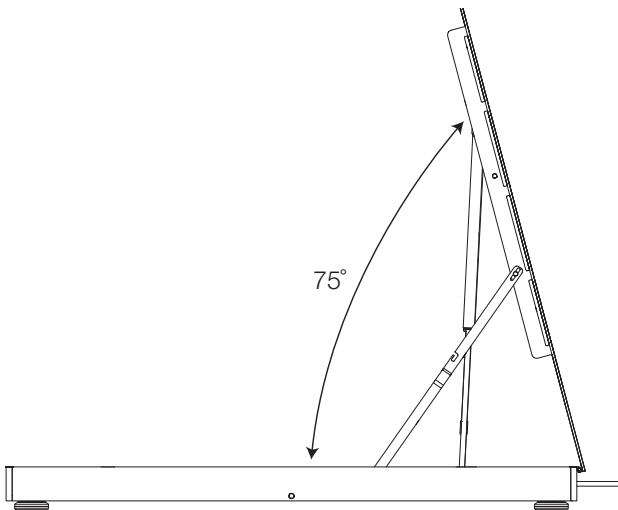
Ramp fits side of scale



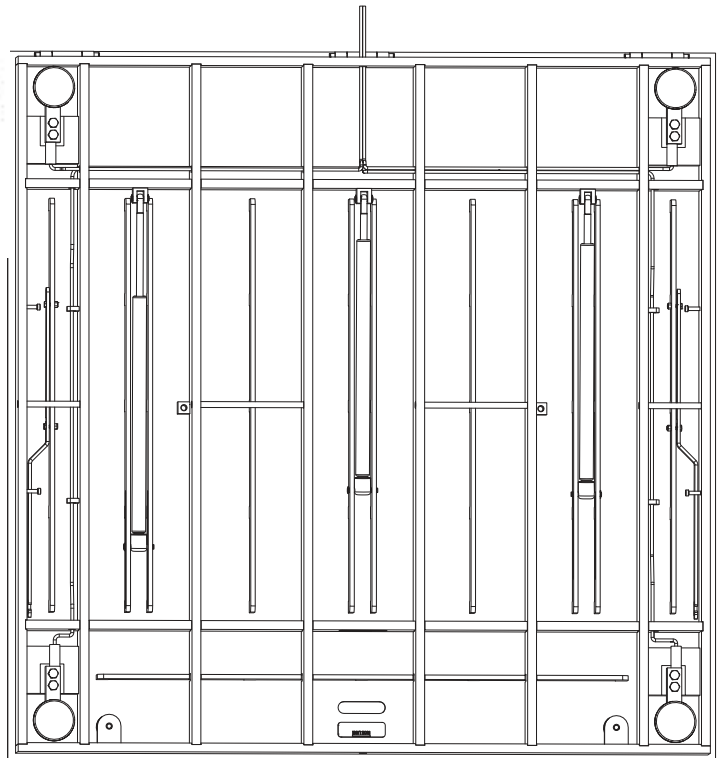
Ramp fits hinge/handhole side



Ramp open



Upright position



Underdeck View

RoughDeck® QC-XP

Quick Clean Extreme Portable Solid Base Plate Floor Scale



Approvals



Part Number/Price

| Part # | Size (W × L × H) | Capacity | Price |
|--------------------------------|--------------------|----------------------|-------------|
| Smooth Top Plate | | | |
| 193283 | 4 ft × 4 ft × 7 in | 5,000 lb (2,500 kg) | \$15,895.00 |
| 193284 | 4 ft × 4 ft × 7 in | 10,000 lb (5,000 kg) | \$15,895.00 |
| Diamond Tread Top Plate | | | |
| 193287 | 4 ft × 4 ft × 7 in | 5,000 lb (2,500 kg) | \$16,775.00 |
| 193288 | 4 ft × 4 ft × 7 in | 10,000 lb (5,000 kg) | \$16,775.00 |

Options/Accessories

| Part # | Description | Price |
|--------|--|----------|
| 28740 | Floor stand for indicator, 36.3 in high, stainless steel | \$340.00 |
| 18778 | Floor anchor plates, stainless steel (set of two) | \$50.00 |

Standard Features

- Designed with forklift pockets, allowing the scale to be portable
- Rugged washdown design, rigid 304 stainless steel frame constructed with continuous welds
- Meets HACCP requirements
- Manual drop-in-place safety bars
- Four stainless steel, hermetically sealed, IP69K shear beam load cells with 30 ft cables
- 20 ft of SURVIVOR® EL147HE hostile environment cable for connecting junction box to indicator
- Internally mounted junction box
- 1/4 in top plate
- Four adjustable stainless steel SUREFOOT™ support feet
- Top plate opens 75 degrees
- Tool-less top plate lock downs
- Top plate available with a smooth deck or diamond treadplate
- Two 1/2-20 NF threaded eyebolt holes for lifting scale into pit frame

Specifications

End Load Capacity:

- 100% full scale at 5,000 lb
- 80% full scale at 10,000 lb

Cable Length:

20 ft (6.1 m) for connecting junction box to indicator

Scale Weldment:

AISI304L, glass bead blasted for even appearance

Junction Box:

TuffSeal® JB4SS stainless steel, NEMA Type 4X junction box with signal trim card

Welding:

Continuous

Threaded Eyebolt:

Two 1/2-20 NF threaded eyebolt holes for lifting scale into pit frame

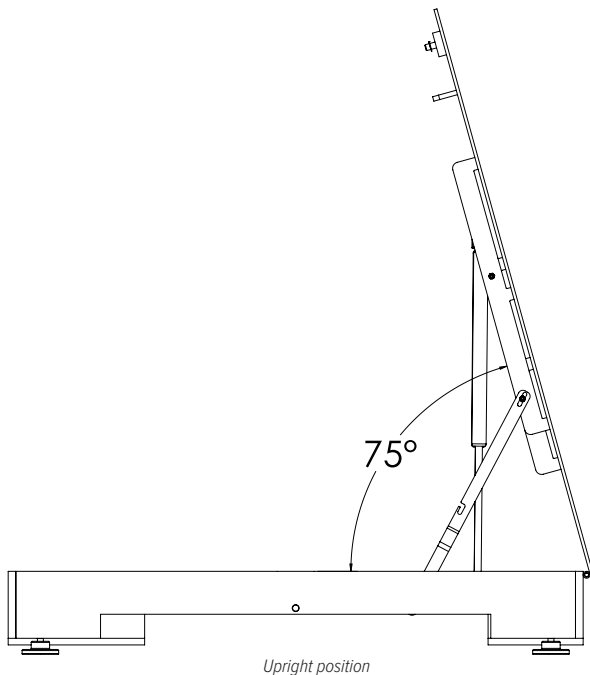
Warranty (limited):

Weldment: Five-year
Load cells: Two-year
All other components: One-year

Approvals:

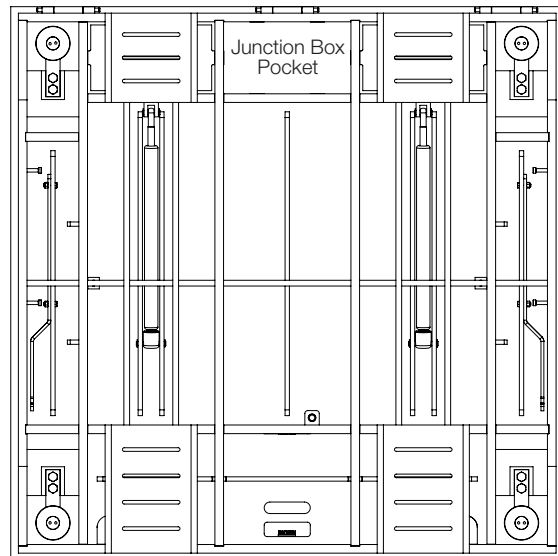
cFMus
NSF

FLOOR SCALES



Upright position

Forklift pocket dimensions are 2.25 in tall x 7.50 in wide



Underdeck View

RoughDeck® QC

Quick Clean Stainless Steel Lift Floor Scale



FLOOR SCALES

Approvals



Standard RoughDeck QC is not designed for fork truck traffic or point loading. Please consult factory for pricing on RoughDeck QC special if your application involves either.

Part Number/Price

| Part # | Size (W × L × H) | Capacity | Est. Weight | Price |
|--------|--------------------------|----------------------|-------------|-------------|
| 50402 | 2.5 ft × 2.5 ft × 3.5 in | 2,000 lb (1,000 kg) | 158 lb | \$6,940.00 |
| 50403 | 3 ft × 3 ft × 3.5 in | 2,000 lb (1,000 kg) | 208 lb | \$7,435.00 |
| 50404 | 4 ft × 4 ft × 3.5 in | 2,000 lb (1,000 kg) | 338 lb | \$8,155.00 |
| 50405 | 4 ft × 4 ft × 3.5 in | 5,000 lb (2,500 kg) | 338 lb | \$8,155.00 |
| 50406 | 4 ft × 4 ft × 4.5 in | 10,000 lb (5,000 kg) | 447 lb | \$8,975.00 |
| 50407 | 4 ft × 5 ft × 3.5 in | 2,000 lb (1,000 kg) | 406 lb | \$9,760.00 |
| 50408 | 4 ft × 5 ft × 4.5 in | 5,000 lb (2,500 kg) | 406 lb | \$9,760.00 |
| 50409 | 4 ft × 5 ft × 4.5 in | 10,000 lb (5,000 kg) | 540 lb | \$12,490.00 |
| 50410 | 4 ft × 6 ft × 4.5 in | 2,000 lb (1,000 kg) | 477 lb | \$12,490.00 |
| 50411 | 4 ft × 6 ft × 4.5 in | 5,000 lb (2,500 kg) | 477 lb | \$12,490.00 |
| 50412 | 4 ft × 6 ft × 5.5 in | 10,000 lb (5,000 kg) | 637 lb | \$14,055.00 |
| 50413 | 5 ft × 5 ft × 4.5 in | 2,000 lb (1,000 kg) | 478 lb | \$13,230.00 |
| 50414 | 5 ft × 5 ft × 4.5 in | 5,000 lb (2,500 kg) | 478 lb | \$13,230.00 |
| 50415 | 5 ft × 5 ft × 4.5 in | 10,000 lb (5,000 kg) | 637 lb | \$16,145.00 |
| 50416 | 5 ft × 7 ft × 5.5 in | 2,000 lb (1,000 kg) | 705 lb | \$19,475.00 |
| 50417 | 5 ft × 7 ft × 5.5 in | 5,000 lb (2,500 kg) | 705 lb | \$19,475.00 |
| 50418 | 5 ft × 7 ft × 5.5 in | 10,000 lb (5,000 kg) | 908 lb | \$20,685.00 |

Options/Accessories

| Part # | Description | Price |
|---------|--|----------------------|
| 28740 | Floor stand for indicator, 36.3 in high, stainless steel | \$340.00 |
| Consult | RoughDeck QC ramps available | See catalog page 381 |
| Consult | RoughDeck QC pit frames available | See catalog page 381 |
| Consult | Stainless steel diamond treadplate safety deck | Consult |
| 18778 | Floor anchor plates, stainless steel (set of two) | \$50.00 |

Standard Features

- Rugged washdown design
- Smooth, 304 stainless steel top deck
- Rigid 304 stainless steel tube frame
- Meets HACCP requirements
- Manual drop-in-place safety bar
- Four stainless steel, hermetically sealed, IP69K shear beam load cells
- 20 ft of SURVIVOR® EL147HE hostile environment load cell cable
- Remote junction box can be mounted up to 10 ft away from the scale
- 3/16 in thick smooth top plate
- 4 adjustable stainless steel SUREFOOT™ support feet

Specifications

End Load Capacity:

- 100% full scale at 2,000 lb and 5,000 lb
- 80% full scale at 10,000 lb

Cable Length:

- 20 ft (6.1 m) for connecting junction box to indicator

Scale Weldment:

- AISI304L, glass bead blasted for even appearance

Junction Box:

- TuffSeal® JB4SS stainless steel, NEMA Type 4X junction box with signal trim card

Welding:

- Stitch, consult if continuous is required

Threaded Eyebolt Hole:

- 1/2-20 NF located in center of deck for easy lifting

Warranty (limited):

- Weldment: Five-year
- Load cells: Two-year
- All other components: One-year

Approvals:

- NTEP CC 92-001, Class III 5,000 d

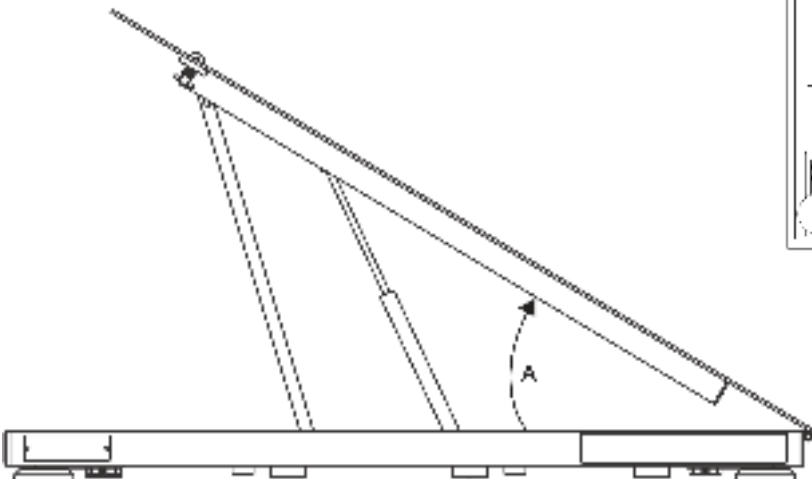
Part Number/Price

| Part # | Size (W × L × H) | Ramp Angle of Incline | Est. Weight | Price |
|---|--|-----------------------|-------------|------------|
| Access Ramps (Diamond Treadplate Standard) (W × L × H) | | | | |
| 69193 | 2.5 ft × 4.0 ft × 3.5 in (works with PN 50402) | 4.0° | 152 lb | \$1,685.00 |
| 69194 | 3.0 ft × 4.0 ft × 3.5 in (works with PN 50403) | 4.0° | 177 lb | \$1,685.00 |
| 69195 | 4.0 ft × 4.0 ft × 3.5 in (works with PN 50404, 50405 and 50407) | 4.0° | 224 lb | \$2,340.00 |
| 69217 | 4.0 ft × 4.0 ft × 4.5 in (works with PN 50406, 50408, 50410 and 50411) | 5.2° | 234 lb | \$2,365.00 |
| 69218 | 4.0 ft × 4.0 ft × 4.5 in (works with PN 50409) | 5.2° | 234 lb | \$2,365.00 |
| 69222 | 4.0 ft × 4.0 ft × 5.5 in (works with PN 50412) | 5.1° | 330 lb | \$3,055.00 |
| 69219 | 5.0 ft × 4.0 ft × 4.5 in (works with PN 50413 and 50414) | 5.2° | 272 lb | \$2,880.00 |
| 69220 | 5.0 ft × 4.0 ft × 4.5 in (works with PN 50415) | 5.2° | 272 lb | \$2,880.00 |
| 69223 | 5.0 ft × 5.0 ft × 5.5 in (works with PN 50416, 50417 and 50418) | 5.1° | 380 lb | \$3,775.00 |
| Pit Frames (W × L × H) | | | | |
| 64768 | 2.5 ft × 2.5 ft × 4 in (works with PN 50402) | - | 89 lb | \$1,310.00 |
| 64769 | 3.0 ft × 3.0 ft × 4 in (works with PN 50403) | - | 102 lb | \$1,310.00 |
| 64770 | 4.0 ft × 4.0 ft × 4 in (works with PN 50404 and 50405) | - | 127 lb | \$1,690.00 |
| 64771 | 4.0 ft × 4.0 ft × 5 in (works with PN 50406) | - | 158 lb | \$1,940.00 |
| 64772 | 4.0 ft × 5.0 ft × 4 in (works with PN 50407) | - | 140 lb | \$1,940.00 |
| 64773 | 4.0 ft × 5.0 ft × 5 in (works with PN 50408) | - | 175 lb | \$2,160.00 |
| 64774 | 4.0 ft × 5.0 ft × 5 in (works with PN 50409) | - | 175 lb | \$2,160.00 |
| 64775 | 4.0 ft × 6.0 ft × 5 in (works with PN 50410 and 50411) | - | 191 lb | \$2,365.00 |
| 64776 | 4.0 ft × 6.0 ft × 6 in (works with PN 50412) | - | 225 lb | \$2,490.00 |
| 64777 | 5.0 ft × 5.0 ft × 5 in (works with PN 50413 and 50414) | - | 191 lb | \$2,365.00 |
| 64778 | 5.0 ft × 5.0 ft × 5 in (works with PN 50415) | - | 191 lb | \$2,365.00 |
| 64779 | 5.0 ft × 7.0 ft × 6 in (works with PN 50416, 50417 and 50418) | - | 270 lb | \$2,790.00 |

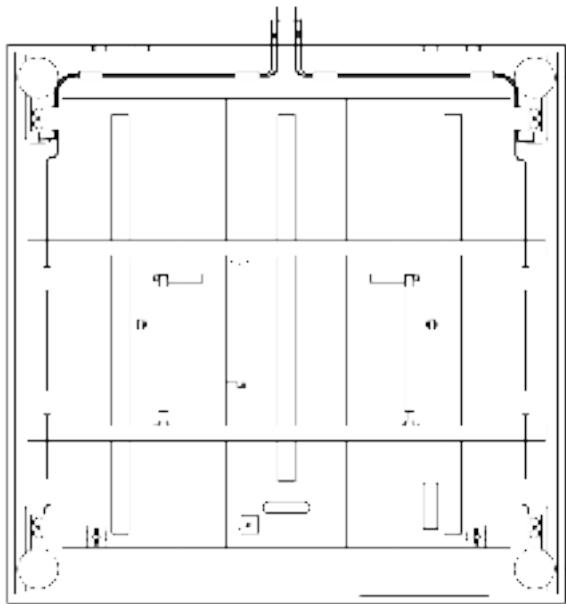
Part numbered ramps are designed to fit scale sides A or C; if you need a ramp to fit scale side B or D, please request a quote for a special ramp

Dimensions

| Scale Size | A |
|--------------|-----|
| 2.5 × 2.5 ft | 37° |
| 3 × 3 ft | 30° |
| 4 × 4 ft | 30° |
| 4 × 5 ft | 30° |
| 4 × 6 ft | 26° |
| 5 × 5 ft | 25° |
| 5 × 7 ft | 24° |



(Upright position)

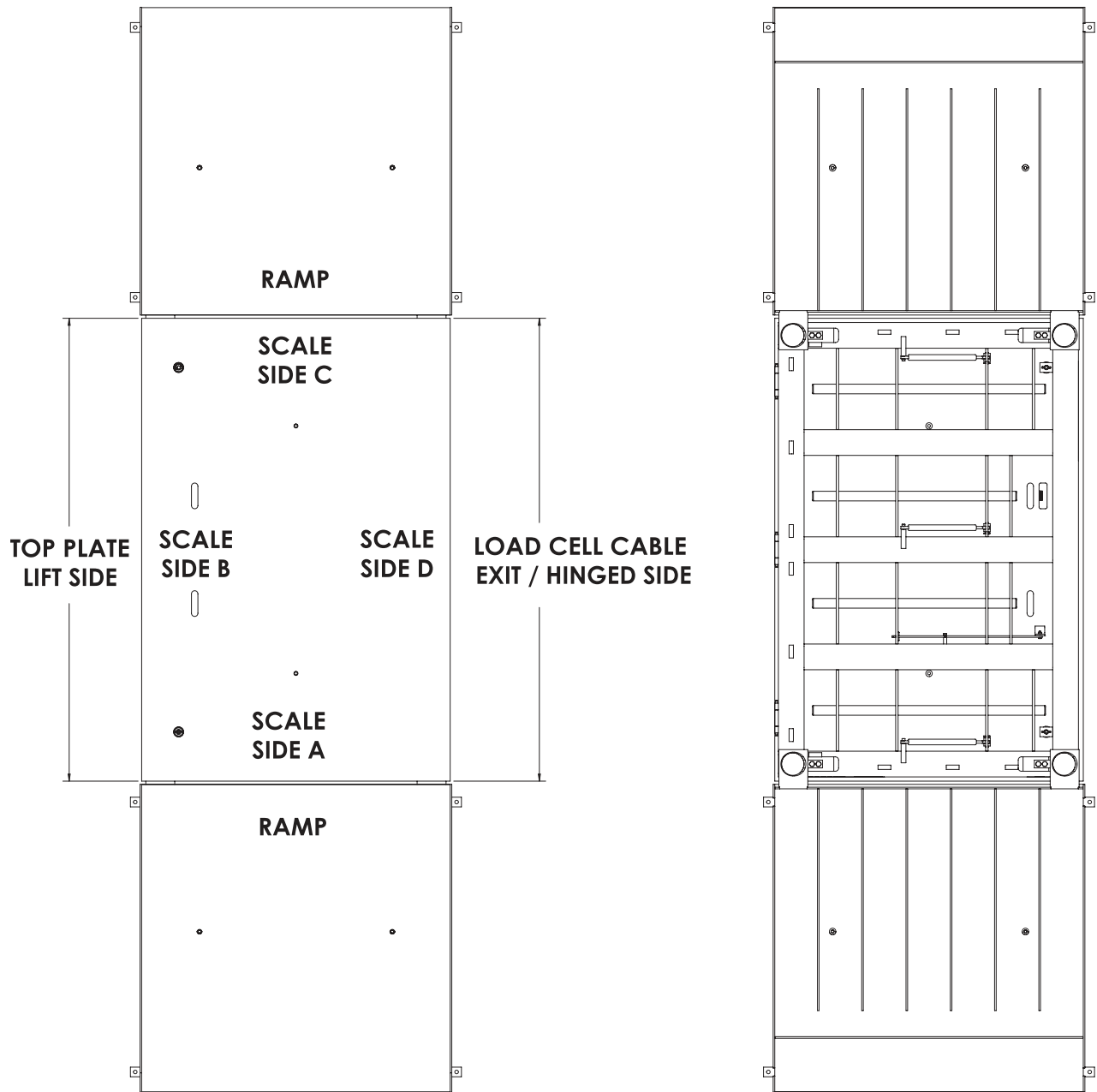


Underdeck View

RoughDeck® QC

Access Ramps and Pit Frames

FLOOR SCALES





Approvals



Important NOTE: Applications where oily substances may be spilled could cause the deck to become slippery—caution should be used.

Part Number/Price

| Part # | Size (W × L × H) | Capacity | Est. Weight | Price |
|--------|--------------------------|-----------|-------------|------------|
| 50385 | 2.5 ft × 2.5 ft × 4.4 in | 2,000 lb | 158 lb | \$4,630.00 |
| 50386 | 3 ft × 3 ft × 4.4 in | 2,000 lb | 208 lb | \$4,760.00 |
| 50387 | 4 ft × 4 ft × 4.4 in | 2,000 lb | 338 lb | \$4,995.00 |
| 50388 | 4 ft × 4 ft × 4.4 in | 5,000 lb | 338 lb | \$4,995.00 |
| 50389 | 4 ft × 4 ft × 5.4 in | 10,000 lb | 447 lb | \$5,245.00 |
| 50390 | 4 ft × 5 ft × 4.4 in | 2,000 lb | 406 lb | \$5,485.00 |
| 50391 | 4 ft × 5 ft × 5.4 in | 5,000 lb | 406 lb | \$5,485.00 |
| 50392 | 4 ft × 5 ft × 5.4 in | 10,000 lb | 540 lb | \$5,725.00 |
| 50393 | 4 ft × 6 ft × 5.4 in | 2,000 lb | 477 lb | \$5,980.00 |
| 50394 | 4 ft × 6 ft × 5.4 in | 5,000 lb | 477 lb | \$5,980.00 |
| 50395 | 4 ft × 6 ft × 6.4 in | 10,000 lb | 637 lb | \$6,580.00 |
| 50396* | 5 ft × 5 ft × 5.4 in | 2,000 lb | 478 lb | \$5,980.00 |
| 50397* | 5 ft × 5 ft × 5.4 in | 5,000 lb | 478 lb | \$5,980.00 |
| 50398* | 5 ft × 5 ft × 5.4 in | 10,000 lb | 637 lb | \$6,580.00 |
| 50399* | 5 ft × 7 ft × 6.4 in | 2,000 lb | 705 lb | \$8,280.00 |
| 50400* | 5 ft × 7 ft × 6.4 in | 5,000 lb | 705 lb | \$8,280.00 |
| 50401* | 5 ft × 7 ft × 6.4 in | 10,000 lb | 908 lb | \$9,370.00 |

* Constructed of two pieces of polyethylene to make up the top deck.

Options/Accessories

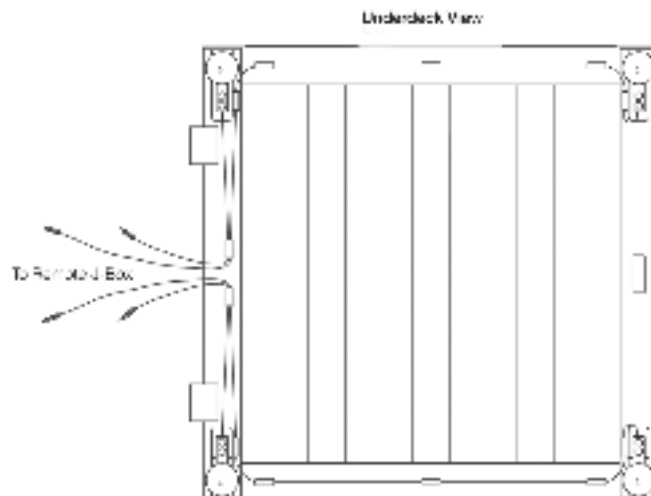
| Part # | Description | Price |
|--------|--|----------|
| 28740 | Floor stand for indicator, 36.3 in high, stainless steel | \$340.00 |
| 18778 | Floor anchor plates, stainless steel (set of 2) | \$50.00 |

Consult factory for these additional options:

- Access ramps
- Pit frames



Bracket to hold polyethylene top deck when cleaning under scale



Standard Features

- Rugged washdown design
- 304 stainless steel construction
- Rigid stainless steel tube frame
- Four stainless steel, welded sealed, shear beam load cells
- Load cells protected on all four sides
- 20 ft (6 m) of SURVIVOR® EL147HE hostile environment load cell cable
- Remote junction box can be located up to 10 ft away from scale
- Four adjustable stainless steel SUREFOOT™ support feet
- Removable polyethylene deck (deck weight: 80 lb (36.6 kg) on 4 × 4 ft size)
- Side brackets to hold deck during washdown

Specifications

End Load Capacity:

- 100% full scale at 2,000 lb and 5,000 lb
- 80% full scale at 10,000 lb

Cable Length:

- 20 ft (6.1 m) for connecting junction box to indicator

Scale Weldment:

- AISI304L, glass bead blasted for even appearance

Junction Box:

- TuffSeal® JB4SS stainless steel, NEMA Type 4X junction box with signal trim card

Welding:

- Continuous

Warranty (limited):

- Weldment: Five-year
- Load cells: Two-year
- All other components: One-year

Approvals:

- NTEP CC 92-001, Class III 5,000 d

RoughDeck® LP

Low Profile Floor Scale



Standard Features

- Painted mild steel
- Diamond tread scale top plate and ramps
- Live side rails
- Self-centering ball and load receiver plate load introduction
- Top-access junction box
- Four alloy steel, environmentally sealed, single-ended load cells

Specifications

End Load Capacity:

100% full scale at 2,000 lb

Cable Length:

20 ft (6.1 m) for connecting junction box to indicator

Junction Box:

EL204 signal trim

Welding:

Stitch, consult factory if continuous is required

Threaded Eyebolt:

Two holes (1/2-20 NF)

Weighing Surface Dimensions:

(L × W × H)

72.00 × 36.00 × 1.81 in

Warranty:

Two-year limited

FLOOR SCALES

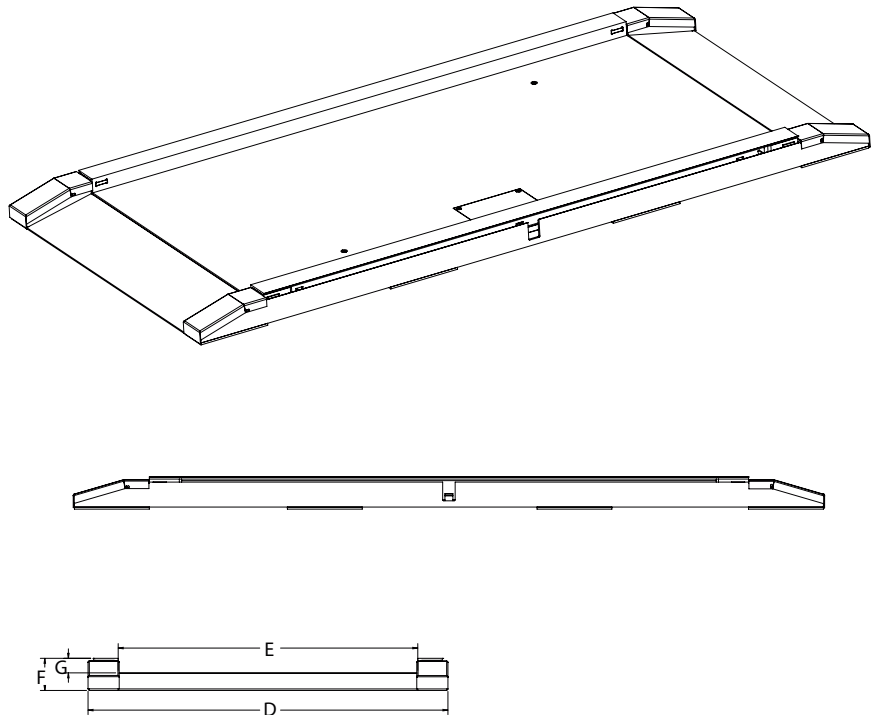
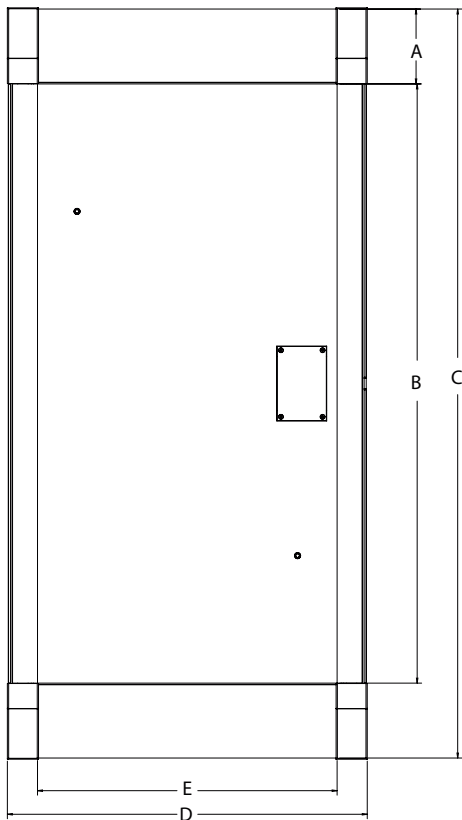
Part Number/Price

| Part # | Size (W × L) Not including Side Rails | Capacity | Ramp Angle of Incline | Est. Weight | Price |
|--------|--|----------------|--------------------------|----------------|------------|
| 204615 | 36 × 72 in | 2,000 × 0.5 lb | 12° | 565 lb | \$4,395.00 |

Dimensions

| RoughDeck LP | | | |
|--------------|----------|---|----------|
| A | 9.00 in | E | 36.00 in |
| B | 72.00 in | F | 3.90 in |
| C | 90.25 in | G | 1.75 in |
| D | 43.25 in | | |

Note: 1 in=25.4 mm



RoughDeck® PW-1 Mild Steel

Low-profile Pallet Weighing Floor Scale



Approvals



Part Number/Price

| Part # | Size (W × L × H) | Capacity | Est. Weight | Price |
|--------|------------------|----------|-------------|------------|
| 177904 | 48 × 48 × 3 in | 2,500 lb | 200 lb | \$1,830.00 |
| 177905 | 48 × 60 × 3 in | 2,500 lb | 210 lb | \$1,995.00 |
| 177906 | 60 × 60 × 3 in | 2,500 lb | 235 lb | \$2,225.00 |
| 177907 | 48 × 48 × 3 in | 5,000 lb | 200 lb | \$1,830.00 |
| 177908 | 48 × 60 × 3 in | 5,000 lb | 210 lb | \$1,995.00 |
| 177909 | 60 × 60 × 3 in | 5,000 lb | 235 lb | \$2,225.00 |

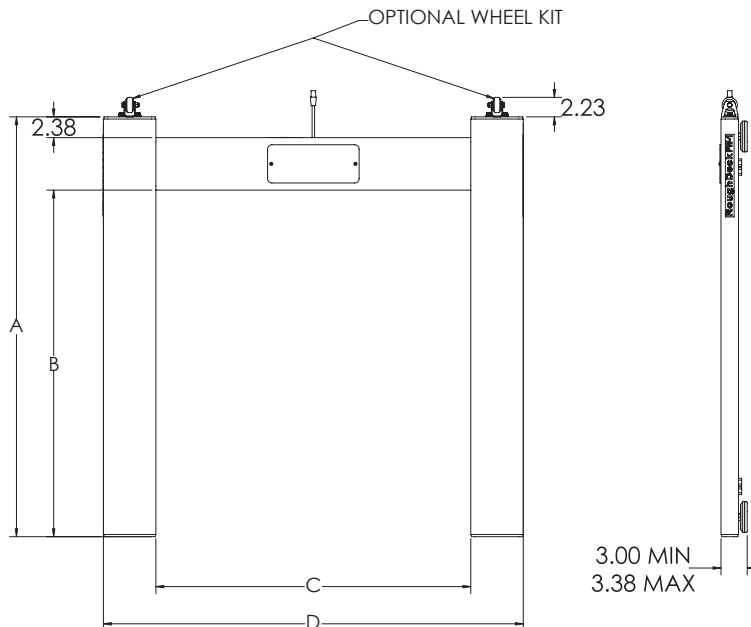
Options/Accessories

| Part # | Description | Price |
|---------|---|-----------------------------|
| 18777 | Floor anchor plates, mild steel (set of 2) | \$38.00 |
| 19352 | Floor stand for indicator, 36.3 in high, mild steel | \$250.00 |
| 126384 | Floor stand for indicator, 48 in high, mild steel | \$275.00 |
| 178250 | Wheel kit option (wheels engage at a 28° angle) | \$105.00 |
| Consult | Mild steel deck with RL32018S IP66 stainless steel cFMus approved load cells and hardware | +\$128.00 list price add-on |
| Consult | Mild steel deck with RL32218S-HE hermetically sealed IP69K stainless steel cFMus approved load cells and hardware | +\$468.00 list price add-on |
| Consult | Epoxy paint | +\$150.00 list price add-on |

Dimensions

| PW-1 Mild Steel | |
|--------------------------|----------|
| 4 × 4 ft (160 lb) | |
| A | 48.00 in |
| B | 39.63 in |
| C | 36.00 in |
| D | 48.00 in |
| 4 × 5 ft (170 lb) | |
| A | 48.00 in |
| B | 39.63 in |
| C | 48.00 in |
| D | 60.00 in |
| 5 × 5 ft (195 lb) | |
| A | 60.00 in |
| B | 51.63 in |
| C | 48.00 in |
| D | 60.00 in |

Note: 1 in=25.4 mm



Standard Features

- Low-profile design
- 20 ft SURVIVOR® EL147HE hostile environment load cell cable
- Top-access junction box
- Four adjustable stainless steel SUREFOOT™ support feet
- Four alloy steel, shear beam load cells

Specifications

End Load Capacity:

- 80% full scale at 2,500 lb
- 100% full scale at 5,000 lb

Cable Length:

20 ft (6.1 m) for connecting junction box to indicator

Junction Box:

TuffSeal® JB4SS stainless steel, NEMA Type 4X junction box with signal trim card

Welding:

Stitch, consult factory if continuous is required

Warranty (limited):

Load cells: Two-year
All other components: One-year

FLOOR SCALES

RoughDeck® PW-1 Stainless Steel

Low-profile Pallet Weighing Floor Scale



Approvals



Part Number/Price

| Part # | Size (W × L × H) | Capacity | Est. Weight | Price |
|--------|------------------|----------|-------------|------------|
| 177910 | 48 × 48 × 3 in | 2,500 lb | 200 lb | \$3,860.00 |
| 177911 | 48 × 60 × 3 in | 2,500 lb | 210 lb | \$4,080.00 |
| 177912 | 60 × 60 × 3 in | 2,500 lb | 235 lb | \$4,300.00 |
| 177913 | 48 × 48 × 3 in | 5,000 lb | 200 lb | \$3,860.00 |
| 177914 | 48 × 60 × 3 in | 5,000 lb | 210 lb | \$4,080.00 |
| 177915 | 60 × 60 × 3 in | 5,000 lb | 235 lb | \$4,300.00 |

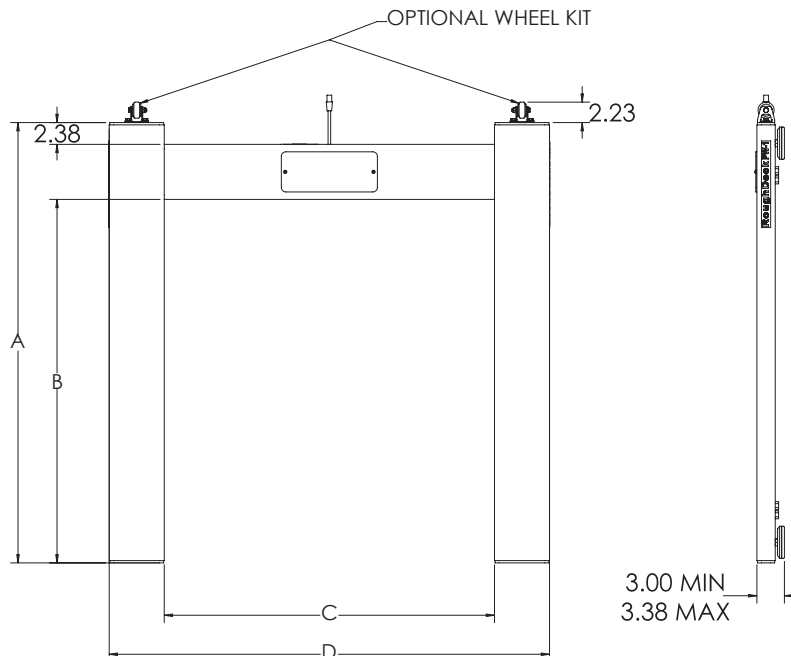
Options/Accessories

| Part # | Description | Price |
|---------|--|-----------------------------|
| 18778 | Floor anchor plates, stainless steel (set of 2) | \$50.00 |
| 28740 | Floor stand for indicator, 36.3 in high, stainless steel | \$340.00 |
| 178250 | Wheel kit option (wheels engage at a 28° angle) | \$105.00 |
| Consult | Stainless steel deck with RL32218S-HE hermetically sealed IP69K stainless steel cFMus approved load cells and hardware | +\$340.00 list price add-on |

Dimensions

| PW-1 Stainless Steel | |
|--------------------------|----------|
| 4 × 4 ft (160 lb) | |
| A | 48.00 in |
| B | 39.63 in |
| C | 36.00 in |
| D | 48.00 in |
| 4 × 5 ft (170 lb) | |
| A | 48.00 in |
| B | 39.63 in |
| C | 48.00 in |
| D | 60.00 in |
| 5 × 5 ft (195 lb) | |
| A | 60.00 in |
| B | 51.63 in |
| C | 48.00 in |
| D | 60.00 in |

Note: 1 in=25.4 mm



Standard Features

- Low-profile design
- 20 ft SURVIVOR® EL147HE hostile environment load cell cable
- Top-access junction box
- Four adjustable, stainless steel SUREFOOT™ support feet
- Four stainless steel, IP66 shear beam load cells

Specifications

End Load Capacity:

- 80% full scale at 2,500 lb
- 100% full scale at 5,000 lb

Cable Length:

- 20 ft (6.1 m) for connecting junction box to indicator

Scale Weldment:

- AISI304L, glass bead blasted for even appearance

Junction Box:

- TuffSeal® JB4SS stainless steel, NEMA Type 4X junction box with signal trim card

Welding:

- Stitch, consult factory if continuous is required

Warranty (limited):

- Load cells: Two-year
- All other components: One-year

RoughDeck® BDP Mild Steel

Barrel, Drum, Pallet Scale – Stationary Model



Approvals



Measurement
Canada
Approved



Part Number/Price

| Part # | Size (W × L) Not Including Side Rails | Capacity (Canadian Approved Capacities) | Est. Weight | Price |
|--------------|---------------------------------------|---|-------------|------------|
| 77962 | 30 × 31 in | 1,000 lb (500 kg) | 205 lb | \$2,135.00 |
| 77963 | 30 × 31 in | 2,500 lb (1,000 kg) | 205 lb | \$2,135.00 |
| 77964 | 36 × 37 in | 1,000 lb (500 kg) | 265 lb | \$2,285.00 |
| 77965 | 36 × 37 in | 2,500 lb (1,000 kg) | 265 lb | \$2,285.00 |
| Part # | Size (W × L) | Ramp Angle of Incline | Est. Weight | Price |
| Access Ramps | | | | |
| 78011 | 30 × 12 in (sold individually) | 7.2° | 25 lb | \$265.00 |
| 78012 | 36 × 12 in (sold individually) | 7.2° | 30 lb | \$265.00 |

Options/Accessories

| Part # | Description | Price |
|---------|---|-----------------------------|
| 18777 | Floor anchor plates, mild steel, set of 2 (for use with static scale, without ramps) | \$38.00 |
| 19352 | Floor stand for indicator, 36.3 in high, mild steel (for use with static scale) | \$250.00 |
| 126384 | Floor stand for indicator, 48 in high, mild steel | \$275.00 |
| Consult | Mild steel deck with RL32018S IP66 stainless steel (cFMus approved) load cells and hardware | +\$128.00 list price add-on |
| Consult | Mild steel deck with RL32218S-HE hermetically sealed IP69K stainless steel cFMus approved load cells and hardware | +\$468.00 list price add-on |
| 214612 | Back stop and mounting hardware for 30 in wide scale | \$195.00 |
| 214613 | Back stop and mounting hardware for 36 in wide scale | \$195.00 |

Standard Features

- Live siderails
- Top-access foot adjustment holes
- Four adjustable stainless steel SUREFOOT™ support feet
- Diamond tread top plate
- Alloy steel load cells

Specifications

End Load Capacity:
1,000 lb: 100% full scale
2,500 lb: 80% full scale

Cable Length:
10 ft (3 m)

Junction Box:
TuffSeal® JB4SS stainless steel, NEMA Type 4X junction box with signal trim card

Welding:
Stitch

Threaded Eyebolt:
Hole (1/2-13 NC) located in center of deck for easy lifting

Warranty (limited):
Weldment: Five-year
Load cells: Two-year
All other components: One-year

Approvals:
NTEP 03-060, Class III 2,500 d
Measurement Canada AM-5578 (500 kg) Class III 2,500d (1,000 kg) Class III 2,000d

FLOOR SCALES

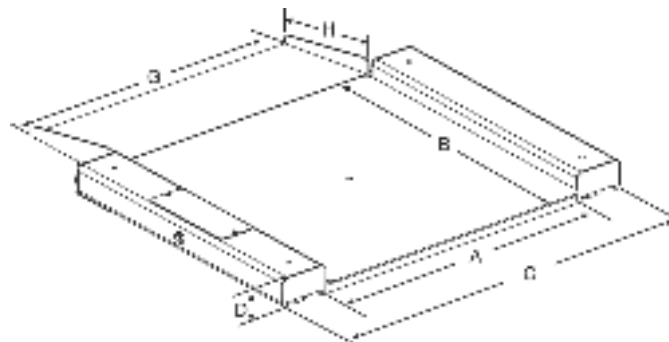


Scale shown with bumper guard

Dimensions

| RoughDeck BDP mild steel with access ramp | | | |
|---|---------|---|---------|
| 30 × 31 in models | | | |
| A | 30.0 in | D | 3.31 in |
| B | 31.0 in | G | 30.0 in |
| C | 40.0 in | H | 12.0 in |
| 36 × 37 in models | | | |
| A | 36.0 in | D | 3.31 in |
| B | 37.0 in | G | 36.0 in |
| C | 46.0 in | H | 12.0 in |

Distance from floor to top of center weighing surface: 1.625 in
Distance from floor to bottom of weighing surface: 0.31 in
Note: 1 in=25.4 mm



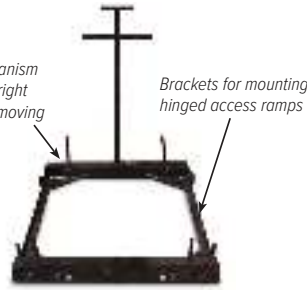
RoughDeck® BDP Mild Steel

Barrel, Drum, Pallet Scale – Portable Model



Scale shown with optional portability kit

Lifting mechanism shown in upright position for moving



Brackets for mounting hinged access ramps

Portability kit

Approvals



Measurement Canada Approved



Part Number/Price

| Part # | Size (W × LW) Not Including Side Rails | Capacity (Canadian Approved Capacities) | Est. Weight | Price |
|--------|--|---|-------------|------------|
| 77962 | 30 × 31 in | 1,000 lb (500 kg) | 205 lb | \$2,135.00 |
| 77963 | 30 × 31 in | 2,500 lb (1,000 kg) | 205 lb | \$2,135.00 |
| 77964 | 36 × 37 in | 1,000 lb (500 kg) | 265 lb | \$2,285.00 |
| 77965 | 37 × 37 in | 2,500 lb (1,000 kg) | 265 lb | \$2,285.00 |

Portability Kits

Kits Include: Frame, two swivel and two fixed zinc plated steel NSF approved wheels (75lb max. load capacity), indicator stand

| | | | |
|-------|-------------------------------|--------|------------|
| 78021 | For use with 30 × 31 in scale | 90 lb | \$1,115.00 |
| 78022 | For use with 36 × 37 in scale | 100 lb | \$1,190.00 |

RoughDeck BDP Portability Kit with conductive wheels for use with 882IS

| | | | |
|--------|------------|-------|------------|
| 199102 | 30 × 31 in | 25 lb | \$1,615.00 |
| 199103 | 36 × 37 in | 30 lb | \$1,690.00 |

| Part # | Size (W × L) | Ramp Angle of Incline | Es. Weight | Price |
|--|-----------------------------------|-----------------------|------------|----------|
| Hinged Access Ramps: For use with portability kit | | | | |
| 78015 | 29.25 × 12 in (sold individually) | 8.7° | 25 lb | \$265.00 |
| 78016 | 35.25 × 12 in (sold individually) | 8.7° | 30 lb | \$265.00 |

Options/Accessories

| Part # | Description | Price |
|---------|---|-----------------------------|
| Consult | Mild steel deck with RL32018S IP66 stainless steel cFMus approved load cells and hardware | +\$128.00 list price add-on |
| Consult | Mild steel deck with RL32218S-HE hermetically sealed IP69K stainless steel cFMus approved load cells and hardware | +\$468.00 list price add-on |
| 214612 | Back stop and mounting hardware for 30 in wide scale | \$195.00 |
| 214613 | Back stop and mounting hardware for 36 in wide scale | \$195.00 |

Standard Features

- Live side rails
- Top-access foot adjustment holes
- Holes are 1/2-13 threaded for lifting scale
- Four adjustable stainless steel SUREFOOT™ support feet
- Treaded top plate
- Alloy steel load cells

Specifications

End Load Capacity:

- 1,000 lb: 100% full scale
- 2,500 lb: 80% full scale

Cable Length:

10 ft (3 m)

Junction Box:

TuffSeal® JB4SS stainless steel, NEMA Type 4X junction box with signal trim card

Welding:

Stitch

Threaded Eyebolt:

Hole (1/2-13 NC) located in center of deck for easy lifting

Warranty (limited):

Weldment: Five-year
Load cells: Two-year
All other components: One-year

Approvals:

NTEP CC 03-060, Class III 2,500 d
Measurement Canada AM-5578 (500 kg) Class III 2,500 d (1,000 kg) Class III 2,000 d

Dimensions

RoughDeck BDP mild steel with portability frame and hinged access ramps

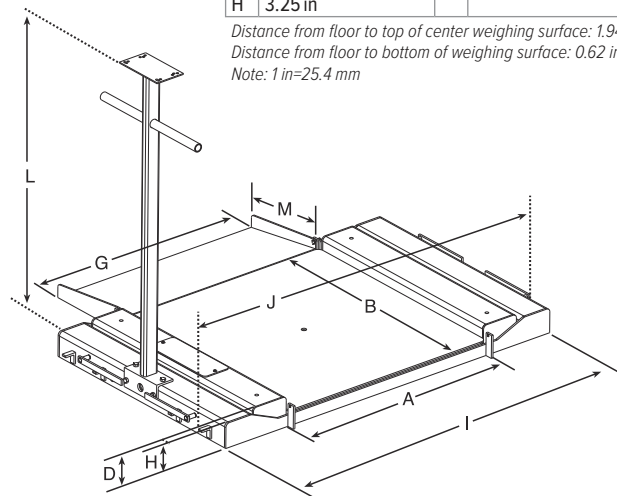
30 × 31 in models

| | | | |
|---|----------|---|----------|
| A | 30.00 in | I | 49.25 in |
| B | 31.00 in | J | 52.25 in |
| D | 3.66 in | L | 40.37 in |
| G | 29.25 in | M | 12.00 in |
| H | 3.25 in | | |

36 × 37 in models

| | | | |
|---|----------|---|----------|
| A | 36.00 in | I | 55.25 in |
| B | 37.00 in | J | 58.25 in |
| D | 3.66 in | L | 40.37 in |
| G | 35.25 in | M | 12.00 in |
| H | 3.25 in | | |

Distance from floor to top of center weighing surface: 1.94 in.
Distance from floor to bottom of weighing surface: 0.62 in
Note: 1 in=25.4 mm



RoughDeck® BDP Stainless Steel

Barrel, Drum, Pallet Scale - Stationary Model



Approvals



Measurement
Canada
Approved



Part Number/Price

| Part # | Size (W × LW) | Capacity (Canadian Approved Capacities) | Est. Weight | Price |
|--------------|--------------------------------|---|-------------|------------|
| 77967 | 30 × 31 in | 1,000 lb (500 kg) | 205 lb | \$4,110.00 |
| 77968 | 30 × 31 in | 2,500 lb (1,000 kg) | 205 lb | \$4,110.00 |
| 77969 | 36 × 37 in | 1,000 lb (500 kg) | 265 lb | \$4,230.00 |
| 77970 | 36 × 37 in | 2,500 lb (1,000 kg) | 265 lb | \$4,230.00 |
| Part # | Size (W × LW) | Ramp Angle of Incline | Est. Weight | Price |
| Access Ramps | | | | |
| 78013 | 30 × 12 in (sold individually) | 7.2° | 25 lb | \$352.00 |
| 78014 | 36 × 12 in (sold individually) | 7.2° | 30 lb | \$352.00 |

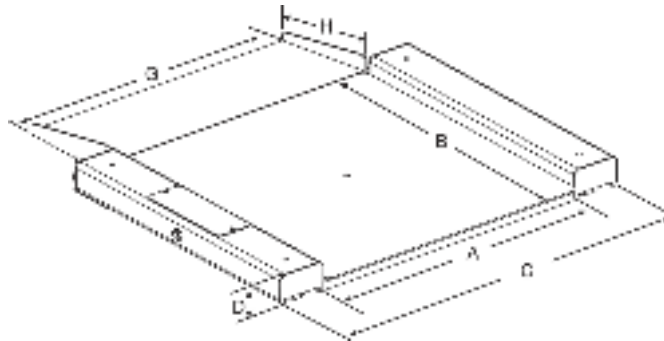
Options/Accessories

| Part # | Description | Price |
|---------|--|-----------------------------|
| 18778 | Floor anchor plates, stainless steel, set of 2 (for use with static scale, without ramps) | \$50.00 |
| 28740 | Floor stand for indicator, 36.3 in high, stainless steel (for use with static scale) | \$340.00 |
| Consult | Stainless steel deck with RL32218S-HE hermetically sealed IP69K stainless steel (cFMus approved) load cells and hardware | +\$340.00 list price add-on |
| Consult | Stainless steel diamond treadplate safety deck | Consult |
| 214614 | Back stop and mounting hardware for 30 in wide scale | \$295.00 |
| 214615 | Back stop and mounting hardware for 36 in wide scale | \$295.00 |

Dimensions

| RoughDeck BDP stainless steel with access ramp | | | |
|--|---------|---|---------|
| 30 × 31 in models | | | |
| A | 30.0 in | D | 3.31 in |
| B | 31.0 in | G | 30.0 in |
| C | 40.0 in | H | 12.0 in |
| 36 × 37 in models | | | |
| A | 36.0 in | D | 3.31 in |
| B | 37.0 in | G | 36.0 in |
| C | 46.0 in | H | 12.0 in |

Distance from floor to top of center weighing surface: 1625 in
Distance from floor to bottom of weighing surface: 0.31 in
Note: 1 in=25.4 mm



Scale shown with bumper guard

Standard Features

- Live siderails
- Top-access foot adjustment holes
- Four adjustable stainless steel SUREFOOT™ support feet
- Smooth top plate
- Stainless steel, IP66 load cells

Specifications

End Load Capacity:

- 1,000 lb: 100% full scale
- 2,500 lb: 80% full scale

Cable Length:

10 ft (3 m)

Scale Weldment:

AISI304L, glass bead blasted for even appearance

Junction Box:

TuffSeal® JB4SS stainless steel, NEMA Type 4X junction box with signal trim card

Welding:

Stitch, consult factory if continuous is required

Threaded Eyebolt:

Holes are 1/2-13 threaded for lifting scale

Warranty (limited):

Weldment: Five-year
Load cells: Two-year
All other components: One-year

Approvals:

NTEP CC 03-060, Class III 2,500 d
Measurement Canada AM-5578
(500 kg) Class III 2,500 d
(1,000 kg) Class III 2,000 d

FLOOR SCALES

RoughDeck® BDP Stainless Steel

Barrel, Drum, Pallet Scale – Portable Model



Scale shown with optional portability kit, optional ramps and optional indicator

Approvals



Measurement
Canada
Approved



Part Number/Price

| Part # | Size (W × LW) Not Including Siderails | Capacity (Canadian Approved Capacities) | Est. Weight | Price |
|--|--|--|-------------|------------|
| 77967 | 30 × 31 in | 1,000 lb (500 kg) | 205 lb | \$4,110.00 |
| 77968 | 30 × 31 in | 2,500 lb (1,000 kg) | 205 lb | \$4,110.00 |
| 77969 | 36 × 37 in | 1,000 lb (500 kg) | 265 lb | \$4,230.00 |
| 77970 | 36 × 37 in | 2,500 lb (1,000 kg) | 265 lb | \$4,230.00 |
| Part # | Size (W × L) | Ramp Angle of Incline | Est. Weight | Price |
| Kits Include: Frame, two swivel and two fixed zinc plated steel NSF approved wheels (75 lb max. load capacity), indicator stand | | | | |
| 78023 | For use with 30 × 31 in scale | | 90 lb | \$1,575.00 |
| 78024 | For use with 36 × 37 in scale | | 100 lb | \$1,650.00 |
| RoughDeck BDP Portability Kit, with conductive wheels for use with 882IS | | | | |
| 199100 | 30 × 31 in | | 25 lb | \$2,275.00 |
| 199101 | 36 × 37 in | | 30 lb | \$2,350.00 |
| Part # | Size (W × L) | Ramp Angle of Incline | Est. Weight | Price |
| Hinged access ramps: For use with portability kit (diamond plate) | | | | |
| 78017 | 29.25 × 12 in (sold individually) | 8.7° | 25 lb | \$352.00 |
| 78018 | 35.25 × 12 in (sold individually) | 8.7° | 30 lb | \$352.00 |

Options/Accessories

| Part # | Description | Price |
|---------|--|-----------------------------|
| Consult | Stainless steel deck with RL32218S-HE hermetically sealed IP69K stainless steel (cFMus approved) load cells and hardware | +\$340.00 list price add-on |
| Consult | Stainless steel diamond treadplate safety deck | Consult |
| 214614 | Back stop and mounting hardware for 30 in wide scale | \$295.00 |
| 214615 | Back stop and mounting hardware for 36 in wide scale | \$295.00 |

Standard Features

- Live side rails
- Top-access foot adjustment holes
- Four adjustable stainless steel SUREFOOT™ support feet
- Smooth top plate
- IP66 stainless steel, welded-seal load cells

Specifications

End Load Capacity:

- 1,000 lb: 100% full scale
- 2,500 lb: 80% full scale

Cable Length:

10 ft (3 m)

Junction Box:

TuffSeal® JB4SS stainless steel, NEMA Type 4X junction box with signal trim card

Welding:

Stitch, consult factory if continuous is required

Threaded Eyebolt:

Holes are 1/2-13 threaded for lifting scale

Warranty (limited):

Weldment: Three-year
Load cells: Two-year
All other components: One-year

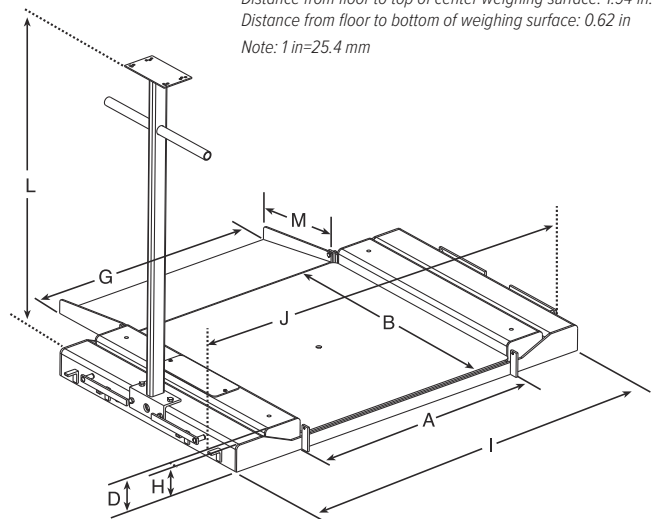
Approvals:

NTEP CC 03-060, Class III 2,500 d
Measurement Canada AM-5578
(500 kg) Class III 2,500 d
(1,000 kg) Class III 2,000 d

Dimensions

| RoughDeck BDP stainless steel with portability frame and hinged access ramps | | | |
|--|----------|---|----------|
| 30 × 31 in models | | | |
| A | 30.00 in | I | 49.25 in |
| B | 31.00 in | J | 52.25 in |
| D | 3.66 in | L | 40.37 in |
| G | 29.25 in | M | 12.0 in |
| H | 3.25 in | | |
| 36 × 37 in models | | | |
| A | 36.00 in | I | 55.25 in |
| B | 37.00 in | J | 58.25 in |
| D | 3.66 in | L | 40.37 in |
| G | 35.25 in | M | 12.00 in |
| H | 3.25 in | | |

Distance from floor to top of center weighing surface: 1.94 in.
Distance from floor to bottom of weighing surface: 0.62 in
Note: 1 in=25.4 mm





Approvals



Measurement
Canada
Approved

Part Number/Price

| Part # | Platform Size (W × L) | Overall Size (W × L × H) | Capacity | Est. Weight | Price |
|---|-----------------------|--------------------------|----------|-------------|------------|
| Mild Steel | | | | | |
| 41293 | 24.25 × 30.375 in | 31 × 41 × 4.5 in | 500 lb | 336 lb | \$3,095.00 |
| 41294 | 24.25 × 30.375 in | 31 × 41 × 4.5 in | 1,000 lb | 356 lb | \$3,095.00 |
| 41295 | 24.25 × 30.375 in | 31 × 41 × 4.5 in | 2,000 lb | 373 lb | \$3,225.00 |
| Mild Steel, with conductive wheel for use with 882IS | | | | | |
| 211285 | 24.25 × 30.375 in | 31 × 41 × 4.5 in | 500 lb | 336 lb | \$3,695.00 |
| 211286 | 24.25 × 30.375 in | 31 × 41 × 4.5 in | 1,000 lb | 356 lb | \$3,695.00 |
| 211287 | 24.25 × 30.375 in | 31 × 41 × 4.5 in | 2,000 lb | 373 lb | \$3,825.00 |
| Stainless Steel | | | | | |
| 41296 | 24.25 × 30.375 in | 31 × 41 × 4.5 in | 500 lb | 336 lb | \$4,235.00 |
| 41297 | 24.25 × 30.375 in | 31 × 41 × 4.5 in | 1,000 lb | 356 lb | \$4,235.00 |
| 41298 | 24.25 × 30.375 in | 31 × 41 × 4.5 in | 2,000 lb | 373 lb | \$4,475.00 |

Options/Accessories

| Part # | Description | Ramp Angle of Incline | Price |
|--------------------------|--|-----------------------|------------|
| Mild Steel | | | |
| 43376 | 500/1,000 lb mild steel ramp | 9° | \$375.00 |
| 43378 | 2,000 lb mild steel ramp | 9° | \$435.00 |
| Stainless Steel | | | |
| 43377 | Ramp assembly, 500/1,000 lb, stainless steel, 27 × 25 in | 7.2° | \$885.00 |
| 43379 | Ramp assembly, 2,000 lb, stainless steel, 27 × 25 in | 7.2° | \$1,005.00 |
| Consult | Smooth top | | N/C |
| Mounting Brackets | | | |
| 41371 | Mounting bracket for 882IS/882IS Plus with battery | | \$99.00 |

Standard Features

- Mild or stainless steel wheeled frame, base and mast
- Diamond tread top plate, mild or stainless steel
- Large rubber wheels (not rated for IS) simplify movement on uneven floors
- Two IP67 aluminum load cells
- Standard indicator mount with integral handles for the 380/380X Synergy, 480/480 Plus, 482/482 Plus, 880/880 Plus and 680 Synergy

Specifications

End Load Capacity:

100% end loading

Cable length:

9 ft 10 in (3 m)

mV/V Output:

2 mV/V

Weighing Platter:

4.5 in height when in weigh mode

Column Height:

59 in

Warranty:

Weldment: Five-year

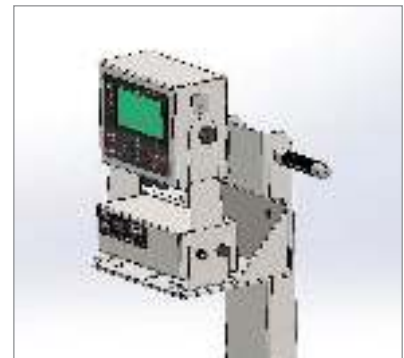
Load cells: Two- year

All other components: One- year

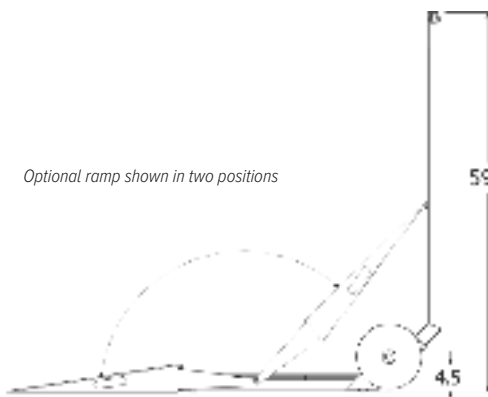
Approvals:

NTEP Certified, CC 98-004, Class III, 2,500 d

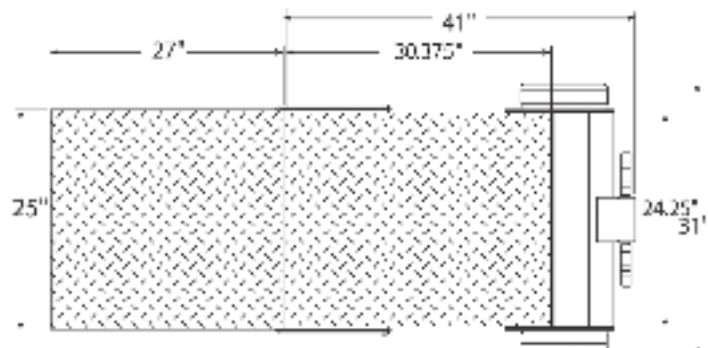
Measurement Canada approved, AM-5218



Mounting bracket for 882IS/882IS Plus with battery



Optional ramp shown in two positions



RL1200

Portable Beam Scale

FLOOR SCALES



Approvals



Standard Features

- NTEP Certified
- Cast iron construction
- 1,000 lb capacity model available
- Locking screw knob on poise
- Slotted cast iron counterpoise weights, marked to scale capacity
- Heavy-duty wheels for portability (wheels are not rated for IS environment)
- Weights and hanger
- Nickel plated steel beam with engraved brass insert

Specifications

Construction:

Cast-iron platform, base and levers

Poise:

Steel locking screw provided

Platform Dimensions:

(L x W) 24 x 18 in

Capacity:

1,000 lb

Approvals:

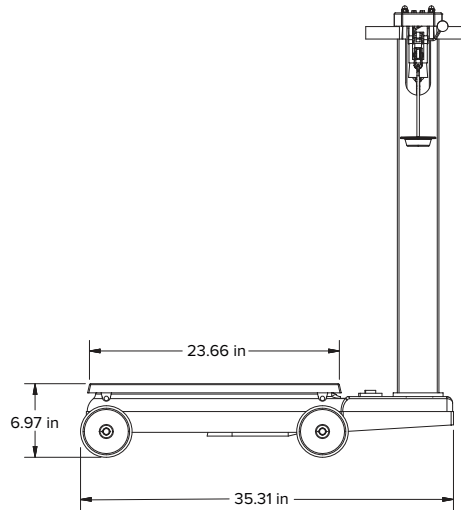
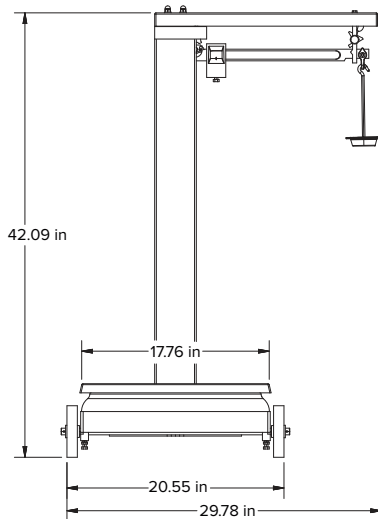
NTEP Certified 93-004 Class III 2,000 d

Warranty:

One-year limited

Part Number/Price

| Part # | Description | Capacity | Est. Weight | Price |
|--------|----------------------------------|----------------|-------------|----------|
| 157982 | Avoirdupois beam, NTEP Certified | 1,000 x 0.5 lb | 200 lb | \$995.00 |



RL1200 EM

Electromechanical Portable Beam Scale and 380 Indicator



Approvals



Part Number/Price

| Part # | Overall Size (W x L x H) | Capacity | Est. Weight | Price |
|--------|--------------------------------|----------------|-------------|------------|
| 216112 | Portable beam with 380 Synergy | 1,000 x 0.5 lb | 200 lb | \$2,270.00 |

Options/Accessories

| Part # | Description | Price |
|---------|-----------------------------------|---------|
| 206433† | 380 indicator external AC adapter | \$54.00 |

Standard Features

Scale

- NTEP Certified
- 1,000 lb capacity
- Heavy-duty wheels and handle for portability

380 Indicator

- LCD display
- Alkaline battery powered
- Push-button and keyed tare
- Two communication ports
- Five tactile buttons
- Configurable print formats

RL1200 EM Specifications

Construction:

Cast-iron platform, base and levers

Platform Dimensions:

(L x W)
24 x 18 in

Capacity:

1,000 lb

Approvals:

NTEP 93-004 Class III 2,000 d

Warranty:

One-year limited

380 Specifications

Power:

Batteries: 4 alkaline C-cell (not included)
Optional: 115/230 VAC to 12 VDC adapter

Battery Life:

100 hours with 1 x 350 ohm load cell, no backlight
45 hours with 4 x 350 ohm load cells, low backlight
20 hours with 8 x 350 ohm load cells, low backlight

Communication Ports:

One RS-232 (three-wire)
One USB 2.0

Annunciators:

g, lb, t, tn, kg, oz, battery level, PT, LT, gross, zero, unstable, net

Display:

Six 1 in (25 mm) tall, LCD digits

Keys/Buttons:

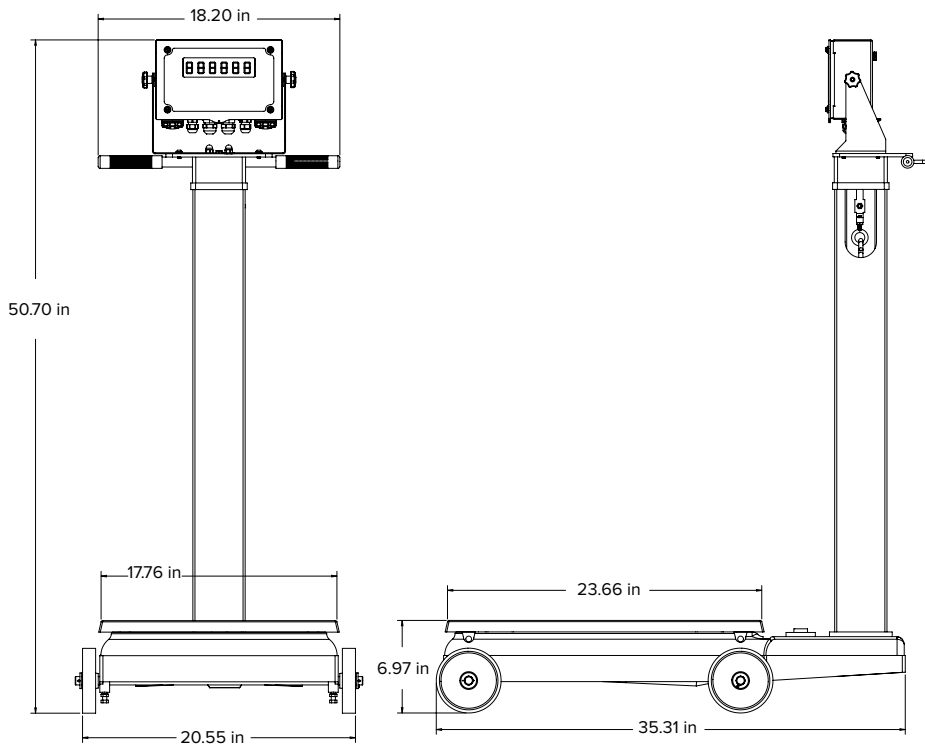
5 tactile buttons

Rating/Material:

IP66, 304 Stainless steel

Approvals:

NTEP 21-051, Class III/IIIL, 10,000 d
Measurement Canada AM-6184
cULus
CE marked



FLOOR SCALES

RL1200 IS

Intrinsically Safe Electromechanical Portable Beam Scale

FLOOR SCALES



Approvals



Standard Features

Scale

- NTEP Certified
- 1,000 lb capacity
- Conductive wheels to eliminate static buildup and discharge
- Handle for ease of portability

Indicator

- Intrinsically safe
- LCD display with white LED backlight
- Power on/off; battery save mode

Specifications

Construction:

Cast-iron platform, base and levers

Platform Dimensions:

(L x W): 24 x 18 in

Capacity:

1,000 lb

Approvals:

NTEP 93-004 Class III 2,000d

Warranty:

One-year limited

882IS Specifications

Power:

Input: 5.8 to 7.9 VDC, 100 to 175 mA

Battery (optional):

60 hours with 4 x 350 ohm load cells
80 to 100 hours with
1 x 350 ohm load cell
8 to 10 hour charging time

Annunciators:

Center of zero, gross, net, motion, lb, kg, oz, g

Display Increments:

1, 2, 5

Display:

Seven-digit, seven-segment LCD display
121 x 24 dot matrix messaging area
White LED backlight

Keys/Buttons:

Flat membrane panel, tactile feel

882IS: zero, gross/net, tare, print, units conv, start, stop, on/off

882IS Plus: zero, gross/net, tare, print, units conv, start, stop, full numeric keypad, on/off

Rating/Material:

IP66 enclosure
Stainless steel

Warranty:

One-year limited

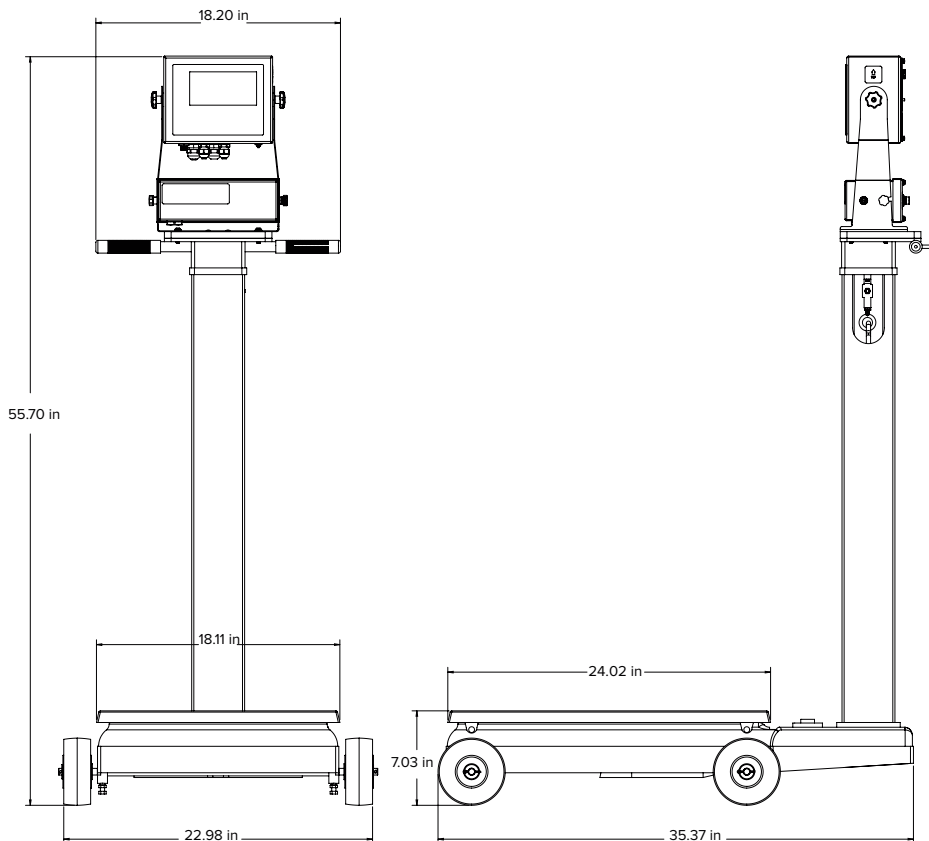
Approvals:

cULus Listed*
FM Entity
ATEX
IECEX
NTEP CC 19-015
Measurement Canada AM-6124C
OIML R76/2006-A-NL1-21.11
EU Test Certificate T11166
cULus* Listed
CE Marked

*cULus is only applicable to 882IS I/O and battery charger

Part Number/Price

| Part # | Description | Capacity | Est. Weight | Price |
|--------|---|----------------|-------------|------------|
| 195558 | Portable beam scale with 882IS, battery pack and charger | 1,000 x 0.5 lb | 200 lb | \$4,445.00 |
| 195560 | Portable beam scale with 882IS Plus, battery pack and charger | 1,000 x 0.5 lb | 200 lb | \$4,935.00 |





Approvals



Part Number/Price

| Part # | Size (W × L × H) | Capacity | Est. Weight | Price |
|--------|----------------------|----------|-------------|------------|
| 18677 | 4 ft × 4 ft × 3.5 in | 5,000 lb | 150 lb | \$3,995.00 |

Options/Accessories

| Part # | Description | Price |
|---------|---|-----------------------------|
| Consult | Four drilled deck holes for scale height adjustment | \$40.00 |
| Consult | Top-access junction box | +\$100.00 list price add-on |

Standard Features

- Low-profile design
- Black anodized aluminum construction to improve durability, resistance to corrosion and scratching
- Diamond treadplate safety deck
- Four high-alloy tool steel shear beam load cells
- Side-access junction box
- 20 ft SURVIVOR® EL147HE hostile environment load cell cable
- Four adjustable stainless steel SUREFOOT™ support feet

Specifications

End Load Capacity:

100% full scale

Cable Length:

20 ft (6.1 m) for connecting junction box to indicator

Junction Box:

TuffSeal® JB4SS stainless steel, NEMA Type 4X junction box with signal trim card

Welding:

Stitch, consult factory if continuous is required

Warranty (limited):

Load cells: Two-year
All other components:
One-year limited

RoughDeck® FXB

Painted Steel and Stainless Steel, Flexure Lever Floor Scale



Approvals



Part Number/Price

| Part # | Size (W × L × H) | Capacity | Est. Weight | Price |
|------------------------|----------------------|----------------------|-------------|-------------|
| Painted Steel | | | | |
| 33134 | 18 × 24 × 6.5 in | 500 lb (250 kg) | 125 lb | \$4,825.00 |
| 33066 | 18 × 24 × 6.5 in | 1,000 lb (500 kg) | 125 lb | \$4,825.00 |
| 113566 | 18 × 30 × 6.5 in | 500 lb (250 kg) | 133 lb | \$4,825.00 |
| 33136 | 18 × 30 × 6.5 in | 1,000 lb (500 kg) | 133 lb | \$4,825.00 |
| 113567 | 18 × 30 × 6.5 in | 1,500 lb (750 kg) | 133 lb | \$4,825.00 |
| 33067 | 24 × 24 × 6.5 in | 500 lb (250 kg) | 151 lb | \$5,000.00 |
| 33068 | 24 × 24 × 6.5 in | 1,000 lb (500 kg) | 151 lb | \$5,000.00 |
| 33138 | 30 × 30 × 6.5 in | 500 lb (250 kg) | 191 lb | \$5,175.00 |
| 33069 | 30 × 30 × 6.5 in | 1,000 lb (500 kg) | 191 lb | \$5,175.00 |
| 33139 | 30 × 30 × 6.5 in | 1,500 lb (750 kg) | 191 lb | \$5,175.00 |
| 33070 | 30 × 30 × 8.25 in | 2,000 lb (1,000 kg) | 281 lb | \$5,350.00 |
| 33140 | 36 × 36 × 8.25 in | 1,000 lb (500 kg) | 234 lb | \$5,350.00 |
| 33071 | 36 × 36 × 8.25 in | 2,000 lb (1,000 kg) | 234 lb | \$5,350.00 |
| 33072 | 36 × 36 in × 8.25 in | 5,000 lb (2,500 kg) | 234 lb | \$5,350.00 |
| 33141 | 38 × 46 × 8.25 in | 1,000 lb (500 kg) | 610 lb | \$5,350.00 |
| 113569 | 38 × 46 × 8.25 in | 2,000 lb (1,000 kg) | 610 lb | \$5,350.00 |
| 113570 | 38 × 46 × 8.25 in | 5,000 lb (2,500 kg) | 610 lb | \$5,350.00 |
| 113572 | 48 × 48 × 8.25 in | 1,000 lb (500 kg) | 654 lb | \$6,100.00 |
| 33073 | 48 × 48 × 8.25 in | 2,000 lb (1,000 kg) | 654 lb | \$6,100.00 |
| 33074 | 48 × 48 × 8.25 in | 5,000 lb (2,500 kg) | 654 lb | \$6,100.00 |
| 33075 | 48 × 48 × 9.25 in | 10,000 lb (5,000 kg) | 735 lb | \$6,750.00 |
| 33078 | 48 × 60 × 9.25 in | 10,000 lb (5,000 kg) | 845 lb | \$7,800.00 |
| 33149 | 48 × 72 × 9.25 in | 5,000 lb (2,500 kg) | 1,120 lb | \$8,300.00 |
| 33080 | 48 × 72 × 9.25 in | 10,000 lb (5,000 kg) | 1,120 lb | \$8,300.00 |
| 33081 | 60 × 60 × 8.25 in | 5,000 lb (2,500 kg) | 967 lb | \$8,300.00 |
| 33082 | 60 × 60 × 9.25 in | 10,000 lb (5,000 kg) | 1,180 lb | \$8,300.00 |
| 33083 | 60 × 72 × 10.25 in | 10,000 lb (5,000 kg) | - | \$8,895.00 |
| Stainless Steel | | | | |
| 113581 | 24 × 24 × 6.5 in | 500 lb (250 kg) | 151 lb | \$6,035.00 |
| 113582 | 24 × 24 × 6.5 in | 1,000 lb (500 kg) | 151 lb | \$6,035.00 |
| 113586 | 30 × 30 × 8.25 in | 2,000 lb (1,000 kg) | 281 lb | \$9,165.00 |
| 113588 | 36 × 36 × 8.25 in | 2,000 lb (1,000 kg) | 450 lb | \$10,025.00 |
| 113595 | 48 × 48 × 8.25 in | 5,000 lb (2,500 kg) | 630 lb | \$13,350.00 |
| 113604 | 48 × 60 × 8.25 in | 5,000 lb (2,500 kg) | - | \$17,660.00 |
| 113596 | 48 × 48 × 11.25 in | 10,000 lb (5,000 kg) | 735 lb | \$16,660.00 |
| 113613 | 60 × 72 × 11.25 in | 10,000 lb (5,000 kg) | 1,290 lb | \$24,000.00 |

Options/Accessories

| Part # | Description | Price |
|---------|---|------------|
| Consult | FXB forklift skid, constructed with (2) 8 in wide painted steel channels attached to FXB scale frame per customer's specified center-to-center distance Note: For FXB-3846 through FXB-6084 scales only | \$1,125.00 |
| Consult | FXB forklift skid with indicator column, constructed with (2) 8 in wide painted steel channels attached to FXB scale frame per customer's specified center-to-center distance, one channel extended beyond frame 12 in with 54 in indicator column Note: For FXB-3846 through FXB-6084 scales only | \$1,250.00 |

NOTE: Indicator stand works with 120/120 Plus, 480/480 Plus, 482/482 Plus, 880/880 Plus, 882IS/882IS Plus, 882IS/882IS Plus w/battery, 680 Synergy

Standard Features

Painted Steel

- Unique flexure design filters motion and shock loading
- Spring steel flexures
- Rugged all-steel painted construction smooth deck
- One Rice Lake Weighing Systems brand RL20000 series nickel-plated s-beam load cell and plated wire rope
- NTEP Certified models in sizes 24 × 24 in (500 lb) through 72 × 96 in up to 10,000 lb capacity

Stainless Steel

- Unique flexure design filters motion and shock loading
- All 304 stainless steel construction, smooth deck
- Stainless flexures, hardware and load cell
- NTEP Certified models in sizes 24 × 24 in (500 lb) through 72 × 96 in up to 10,000 lb capacity

Specifications

End Loading Capacity:

100% of scale capacity

Safe Overload Capacity:

150% of scale capacity

Warranty:

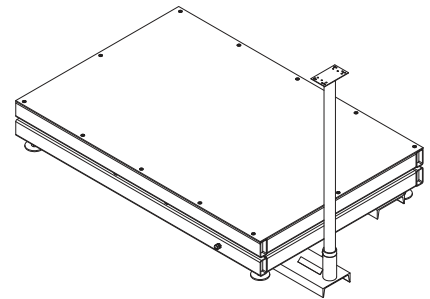
Two-year limited

Approvals:

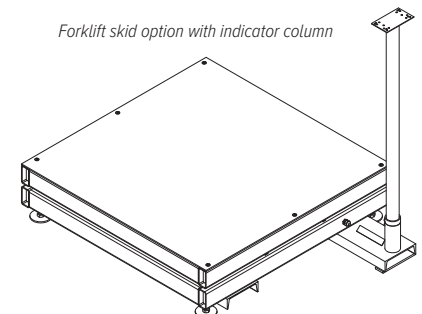
Painted: NTEP 88-100, Class III 5,000 d

Stainless steel: NTEP 88-100, Class III 3,000 d

On rectangular scales, the forks MUST run the long direction of the scale so the cord grip will be on the side adjacent



Forklift skid option with indicator column



Summit® Scale and 120 Indicator Package

Floor Scale/120 Indicator Package



Approvals



Measurement
Canada
Approved



Part Number/Price

| Part # | Size (W × L × H) | Capacity | Est. Weight | Price |
|--|------------------------|-------------------|-------------|------------|
| Floor Scale and Indicator Package (Single Scale) | | | | |
| Package includes Summit 3000 floor scale, 120 digital weight indicator with tilt stand, 20 ft load cell cable with quick disconnect; configured and calibrated | | | | |
| 115 VAC | | | | |
| 78772 | 4 ft × 4 ft × 3.625 in | 5,000 × 1 lb | 315 lb | \$2,495.00 |
| 78773 | 4 ft × 4 ft × 3.625 in | 10,000 × 2 lb | 315 lb | \$2,495.00 |
| 230 VAC | | | | |
| 78780 | 4 ft × 4 ft × 3.625 in | 5,000 × 1 lb | 315 lb | \$2,495.00 |
| 78781 | 4 ft × 4 ft × 3.625 in | 10,000 × 2 lb | 315 lb | \$2,495.00 |
| 115 VAC Measurement Canada Approved | | | | |
| 78776 | 4 ft × 4 ft × 3.625 in | 2,500 lb × 0.5 kg | 315 lb | \$2,495.00 |
| 78777 | 4 ft × 4 ft × 3.625 in | 5,000 lb × 1 kg | 315 lb | \$2,495.00 |

Options/Accessories

| Part # | Description | Price |
|--------------------------------|---|---|
| Summit 3000 Floor Scale | | |
| Consult | Access ramps available | See catalog page 400 |
| Consult | Pit frames available | See catalog page 403 |
| Consult | Bumper guards available | See catalog page 406 through catalog page 408 |
| Consult | Portability frames available | See catalog page 409 through catalog page 414 |
| 75819 | Floor anchor plates, mild steel (set of two) | \$38.00 |
| 19352 | Floor stand for indicator, 36.3 in high, mild steel | \$250.00 |
| 126384 | Floor stand for indicator, 48 in high, mild steel | \$275.00 |

Standard Features

- Package includes: Summit 3000 4 ft × 4 ft × 3.625 in floor scale, 20 ft of EL147 load cell cable with quick disconnect, and 120 indicator
- Package configured and factory calibrated for 5,000 divisions

Scale

- Four NTEP Certified alloy steel, shear beam load cells
- Top-access junction box
- Rugged diamond safety treadplate steel deck
- Four adjustable rigid polyurethane rubber feet, 3 in (76 mm) diameter
- Signal trim summing board housed in ABS enclosure
- Threaded eyebolt hole (1/2–20NF) located in the center of the deck for easy lifting

Indicator

- Large 0.8 in backlit LCD display
- Five-button operation
- Full front panel digital calibration and configuration

Specifications

End Load Capacity:

- 100% full scale at 5,000 lb
- 80% full scale at 10,000 lb

Cable Length:

- 20 ft (6.1 m) for connecting junction box to indicator

Threaded Eyebolt:

- Hole (1/2–20 NF) located in center of deck for easy lifting

Warranty (limited):

- Weldment and load cells two-years
- All other components one-year

Approvals:

- NTEP CC 92-001, Class III 5,000 d
- Measurement Canada AM-5530, Class III 5,000 d (2,500 kg, 5,000 kg)

120 Specifications

Power:

- Line voltages: 115 or 230 VAC
- Frequency: 50 or 60 Hz

Communication Port:

- EDP port: Full duplex RS-232
- Printer port: Output-only RS-232 or active 20 mA current loop
- Both ports: 9600, 4800, 2400, 1200, 600, 300bps;
- Seven or eight data bits; even, odd or no parity

Display:

- 0.8 in (20 mm), six-digit red LED display, seven-segment digits

Annunciators:

- Center of zero, stand still, gross, net, lb, kg, oz, g

Keys/Buttons:

- Five-key flat membrane panel, tactile feel

Rating/Material:

- Enclosure: heavy gauge ABS

Warranty:

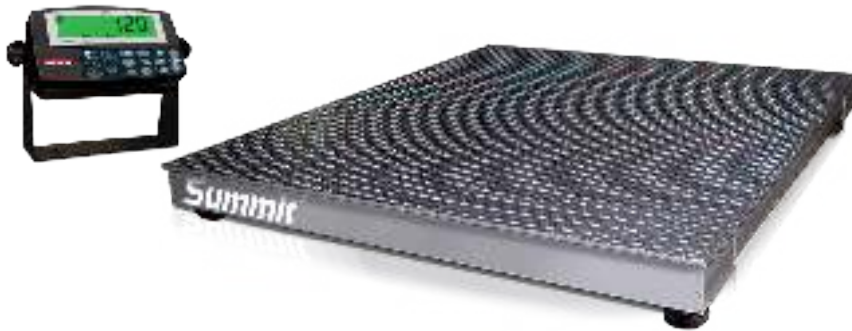
- One-year limited

Approvals:

- NTEP 03-059, Class III/IIIL 10,000 d
- Measurement Canada AM-5517, Class III/IIILD 10,000 d
- EU Test Certificate TC7028 (120) Class III, 10,000 d
- CE marked

Summit® Scale and 120 Plus Indicator Package

Floor Scale/120 Plus Indicator Package



Approvals



Measurement
Canada
Approved

Part Number/Price

| Part # | Size (W × L × H) | Capacity | Est. Weight | Price |
|--|------------------------|-------------------|-------------|------------|
| Floor Scale and Indicator Package (Single Scale) | | | | |
| Package includes Summit® 3000 floor scale, 120/120 Plus digital weight indicator with tilt stand, 20 ft load cell cable with quick disconnect; configured and calibrated | | | | |
| 115 VAC | | | | |
| 106913 | 4 ft × 4 ft × 3.625 in | 5,000 × 1 lb | 315 lb | \$2,640.00 |
| 106914 | 4 ft × 4 ft × 3.625 in | 10,000 × 2 lb | 315 lb | \$2,640.00 |
| 230 VAC | | | | |
| 106915 | 4 ft × 4 ft × 3.625 in | 5,000 × 1 lb | 315 lb | \$2,640.00 |
| 106916 | 4 ft × 4 ft × 3.625 in | 10,000 × 2 lb | 315 lb | \$2,640.00 |
| 115 VAC Measurement Canada Approved | | | | |
| 106917 | 4 ft × 4 ft × 3.625 in | 2,500 lb × 0.5 kg | 315 lb | \$2,640.00 |
| 106918 | 4 ft × 4 ft × 3.625 in | 5,000 lb × 1 kg | 315 lb | \$2,640.00 |

Options/Accessories

| Part # | Description | Price |
|---------------------------------|---|---|
| Summit® 3000 Floor Scale | | |
| Consult | Access ramps available | See catalog page 400 |
| Consult | Pit frames available | See catalog page 403 |
| Consult | Bumper guards available | See catalog page 406 through catalog page 408 |
| Consult | Portability frames available | See catalog page 409 through catalog page 414 |
| 75819 | Floor anchor plates, mild steel (set of two) | \$38.00 |
| 19352 | Floor stand for indicator, 36.3 in high, mild steel | \$250.00 |
| 126384 | Floor stand for indicator, 48 in high, mild steel | \$275.00 |

Standard Features

- Package includes: Summit 3000 4 ft × 4 ft × 3.625 in floor scale, 20 ft of EL147 load cell cable with quick disconnect, and 120 Plus indicator
- Package configured and factory calibrated for 5,000 divisions

Scale

- Four NTEP Certified alloy steel, shear -beam load cells
- Top-access junction box
- Rugged diamond safety treadplate steel deck
- Four adjustable rigid polyurethane rubber feet, 3 in (76 mm) diameter
- Signal trim summing board housed in ABS enclosure
- Threaded eyebolt hole (1/2–20NF) located in the center of the deck for easy lifting

Indicator

- Large 0.8 in backlit liquid crystal display (LCD)
- 115 or 230 VAC wall adapter with rechargeable battery

Summit Floor Scale Specifications

End Load Capacity:

- 100% full scale at 5,000 lb
- 80% full scale at 10,000 lb

Cable Length:

- 20 ft (6.1 m) for connecting junction box to indicator

Threaded Eyebolt:

- Hole (1/2–20 NF) located in center of deck for easy lifting

Warranty (limited):

- Weldment and load cells two-years
- All other components one-year

Approvals:

- NTEP 92-001, Class III 5,000 d
- Measurement Canada AM-5530, Class III 5,000 d (2,500 kg, 5,000 kg)

120 Plus Specifications

Power:

- Line voltages: 115 or 230 VAC
- Frequency: 50 or 60 Hz

Battery Life:

- 60 hours with 1 × 350 ohm, 40 hours with 4 × 350 ohm
- Charge time: Eight hours

Communication Port:

- EDP port: Full duplex RS-232
- Printer port: Output-only RS-232 or active 20 mA current loop
- Both ports: 9600, 4800, 2400, 1200, 600, 300bps;
- Seven or eight data bits; even, odd or no parity

Display:

- 0.8 in (20 mm) six-digit LCD with backlight, seven-segment digits

Annunciators:

- Battery, setpoint 1 and 2, Hold

Keys/Buttons:

- Zero, tare, preset tare, hold, gross/net, units, numeric 0-9, clear, enter/print

Rating/Material:

- Enclosure: heavy gauge ABS

Warranty:

- One-year limited

Approvals:

- NTEP 03-059, Class III/IIIL 10,000 d
- Measurement Canada AM-5517
- EU Test Certificate TC7626 (120 Plus)
- Class III, 10,000 d
- CE Marked



Standard Features

- Four NTEP Certified alloy steel shear beam load cells
- Top access junction box
- Rugged diamond safety treadplate steel deck
- Four adjustable rigid polyurethane rubber feet, 3 in (76 mm) diameter
- Signal trim summing board housed in ABS enclosure
- Threaded eyebolt hole (1/2-20NF) located in the center of the deck for easy lifting
- 20 ft of EL147 load cell cable. The load cell cable exits weldment toward the interior of scale, allowing flexibility to route out any side of scale to digital weight indicator.

Approvals



Measurement
Canada
Approved

Part Number/Price

| Part # | Size (W × L × H) | Capacity | Est. Weight | Price |
|---|------------------------|-----------|-------------|------------|
| Single Scale | | | | |
| 74715 | 3 ft × 3 ft × 3.625 in | 2,000 lb | 190 lb | \$1,895.00 |
| 74716 | 4 ft × 4 ft × 3.625 in | 2,000 lb | 305 lb | \$2,020.00 |
| 74717 | 4 ft × 4 ft × 3.625 in | 5,000 lb | 305 lb | \$2,020.00 |
| 74718 | 4 ft × 4 ft × 3.625 in | 10,000 lb | 305 lb | \$2,020.00 |
| 74719 | 4 ft × 5 ft × 3.625 in | 5,000 lb | 395 lb | \$2,230.00 |
| 74720 | 4 ft × 5 ft × 3.625 in | 10,000 lb | 445 lb | \$3,030.00 |
| 74721 | 4 ft × 6 ft × 3.625 in | 5,000 lb | 470 lb | \$2,410.00 |
| 74722 | 4 ft × 6 ft × 3.625 in | 10,000 lb | 525 lb | \$3,210.00 |
| 74723 | 5 ft × 5 ft × 3.625 in | 5,000 lb | 505 lb | \$2,445.00 |
| 74724 | 5 ft × 5 ft × 3.625 in | 10,000 lb | 575 lb | \$3,245.00 |
| Single Scale—Measurement Canada Approved | | | | |
| 77440 | 3 ft × 3 ft × 3.625 in | 1,000 kg | 190 lb | \$1,895.00 |
| 77373 | 4 ft × 4 ft × 3.625 in | 1,000 kg | 305 lb | \$2,020.00 |
| 77346 | 4 ft × 4 ft × 3.625 in | 2,500 kg | 305 lb | \$2,020.00 |
| 77347 | 4 ft × 4 ft × 3.625 in | 5,000 kg | 305 lb | \$2,020.00 |
| 82880 | 4 ft × 5 ft × 3.625 in | 2,500 kg | 395 lb | \$2,230.00 |
| 82881 | 4 ft × 5 ft × 3.625 in | 5,000 kg | 445 lb | \$3,030.00 |
| 77348 | 5 ft × 5 ft × 3.625 in | 2,500 kg | 505 lb | \$2,445.00 |
| 77349 | 5 ft × 5 ft × 3.625 in | 5,000 kg | 575 lb | \$3,245.00 |

Options/Accessories

| Part # | Description | Price |
|---------|---|----------|
| 75819 | Floor anchor plates, mild steel (set of two) | \$38.00 |
| Consult | Top-access foot adjust holes | \$40.00 |
| 19352 | Floor stand for indicator, 36.3 in high, mild steel | \$250.00 |
| 126384 | Floor stand for indicator, 48 in high, mild steel | \$275.00 |

*For custom sizes or capacities, please consult factory for RoughDeck® HP pricing

Specifications

End Load Capacity:

100% full scale at 2,000 lb and 5,000 lb
80% full scale at 10,000 lb

Cable Length:

20 ft (6.1 m) for connecting junction box to indicator

Threaded Eyebolt:

Hole (1/2-20 NF) located in center of deck for easy lifting

Warranty (limited):

Weldment and load cells two-years, all other components one-year

Approvals:

NTEP CC 92-001A9, Class III 5,000 d
Measurement Canada AM-5530, Class III 5,000 d
(2,500 kg, 5,000 kg) 2,000 d (1,000 kg)

RoughDeck® Access Ramps



RoughDeck Access Ramps with Side Rails



RoughDeck Access Ramps without Side Rails

FLOOR SCALES

RoughDeck Access Ramps

| Part # with Side Rails | Part # without Side Rails | Size (W × L × H) | Ramp Angle of Incline | Est. Weight | Price |
|--|---------------------------|------------------------|-----------------------|-------------|------------|
| RoughDeck HP: 1,000 to 10,000 lb (diamond treadplate standard) | | | | | |
| 69040* | 224097 | 2.5 ft × 3 ft × 3.5 in | 5.3° | 115 lb | \$585.00 |
| 69041* | 224099 | 3 ft × 3 ft × 3.5 in | 5.3° | 133 lb | \$620.00 |
| 69042* | 224100 | 4 ft × 3 ft × 3.5 in | 5.3° | 177 lb | \$680.00 |
| 69043* | 224101 | 5 ft × 3 ft × 3.5 in | 5.3° | 226 lb | \$765.00 |
| 69184 | 224102 | 2.5 ft × 4 ft × 3.5 in | 3.9° | 152 lb | \$680.00 |
| 69185 | 224103 | 3 ft × 4 ft × 3.5 in | 3.9° | 177 lb | \$725.00 |
| 69186 | 224104 | 4 ft × 4 ft × 3.5 in | 3.9° | 224 lb | \$810.00 |
| 69187 | 224105 | 5 ft × 4 ft × 3.5 in | 3.9° | 272 lb | \$860.00 |
| RoughDeck HP-H: 20,000 lb (diamond treadplate standard) | | | | | |
| 69204 | 224106 | 4 ft × 4 ft × 4 in | 4.4° | 487 lb | \$1,430.00 |
| 69205 | 224107 | 5 ft × 4 ft × 4 in | 4.4° | 591 lb | \$1,635.00 |
| 69206 | 224108 | 6 ft × 4 ft × 4 in | 4.4° | 689 lb | \$1,720.00 |
| 69207 | 224109 | 7 ft × 4 ft × 4 in | 4.4° | 822 lb | \$2,000.00 |
| 69208 | 224110 | 8 ft × 4 ft × 4 in | 4.4° | 1005 lb | \$2,210.00 |
| RoughDeck HP-H: 30,000 lb (diamond treadplate standard) | | | | | |
| 69210 | 224111 | 4 ft × 5 ft × 5 in | 4.4° | 666 lb | \$1,775.00 |
| 69211 | 224112 | 5 ft × 5 ft × 5 in | 4.4° | 806 lb | \$1,975.00 |
| 69212 | 224113 | 6 ft × 5 ft × 5 in | 4.4° | 942 lb | \$2,165.00 |
| 69213 | 224114 | 7 ft × 5 ft × 5 in | 4.4° | 1116 lb | \$2,450.00 |
| 69214 | 224115 | 8 ft × 5 ft × 5 in | 4.4° | 1337 lb | \$2,830.00 |
| RoughDeck SS and HE: 1,000 to 10,000 lb (diamond treadplate standard) | | | | | |
| 69178* | 224116 | 2.5 ft × 3 ft × 3.5 in | 5.3° | 115 lb | \$1,205.00 |
| 69179* | 224117 | 3 ft × 3 ft × 3.5 in | 5.3° | 133 lb | \$1,205.00 |
| 69180* | 224118 | 4 ft × 3 ft × 3.5 in | 5.3° | 177 lb | \$1,470.00 |
| 69189 | 224119 | 2.5 ft × 4 ft × 3.5 in | 3.9° | 152 lb | \$1,340.00 |
| 69190 | 224120 | 3 ft × 4 ft × 3.5 in | 3.9° | 177 lb | \$1,470.00 |
| 69191 | 224121 | 4 ft × 4 ft × 3.5 in | 3.9° | 224 lb | \$2,000.00 |
| 69192 | 224122 | 5 ft × 4 ft × 3.5 in | 3.9° | 272 lb | \$2,260.00 |

* Not recommended for use with pallet jacks.

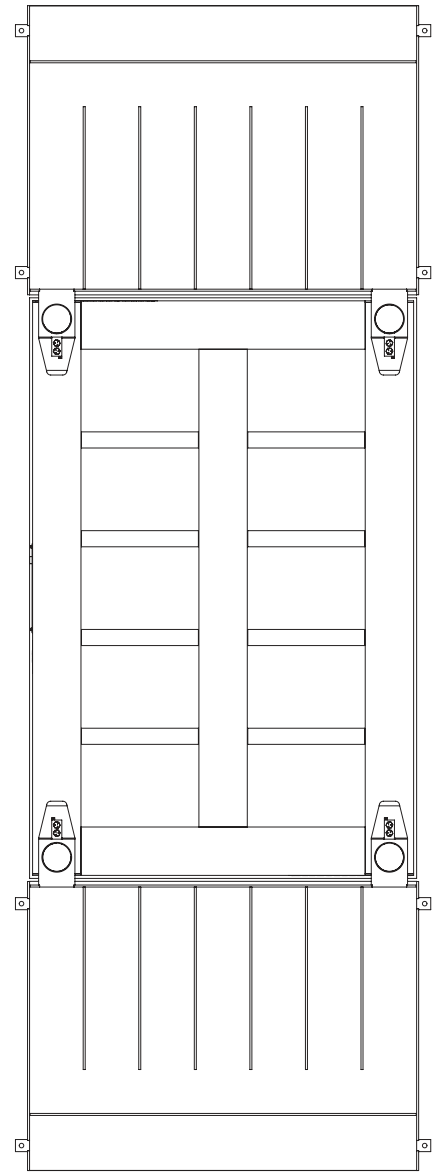
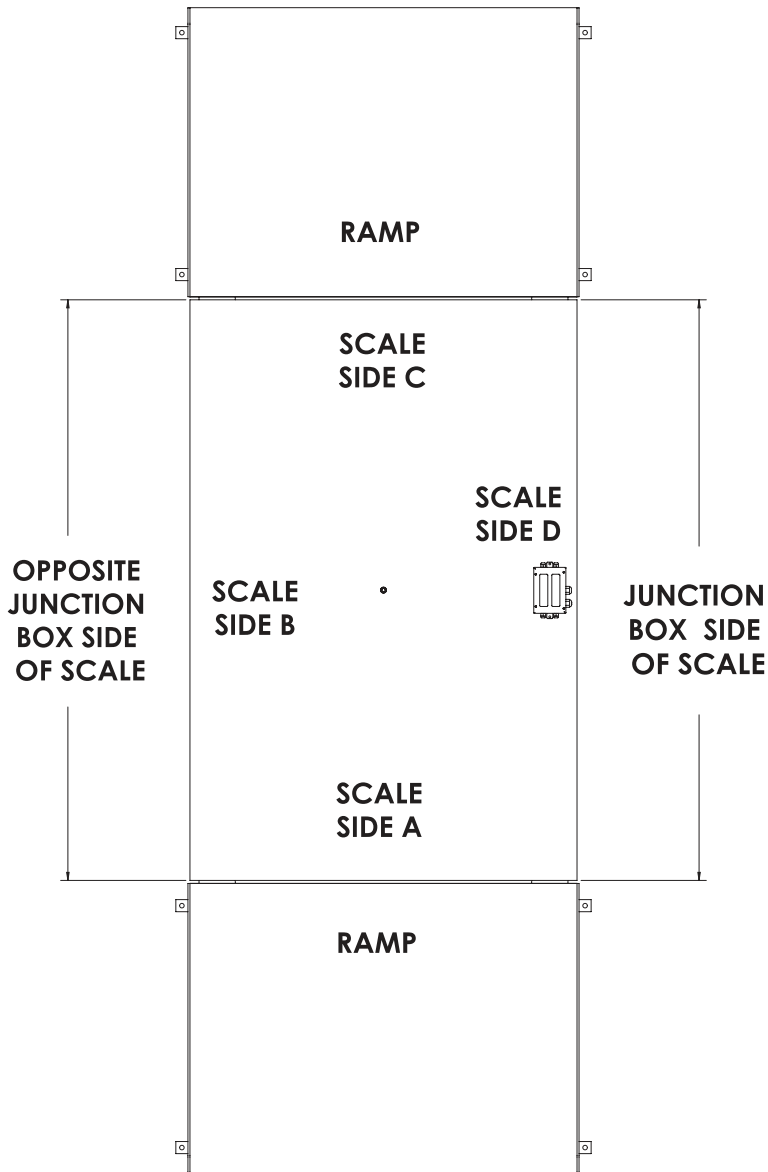
NOTE: Part numbered ramps are designed to fit scale on sides perpendicular to junction box. The junction box is always on longest side of scale unless specified differently.

NOTE: Part numbered ramps are designed to fit scale sides A or C; if you need a ramp to fit scale side B or D, please refer to page 401. Please request a quote for a special ramp.

Options/Accessories

| Part # | Description | Price |
|---------|-------------|-----------------------------|
| Consult | Epoxy paint | +\$150.00 list price add-on |

RoughDeck® Access Ramps



Underdeck View

FLOOR SCALES

Part numbered ramps are designed to fit scale sides A or C; if you need a ramp to fit scale side B or D, please request a quote for a special ramp.

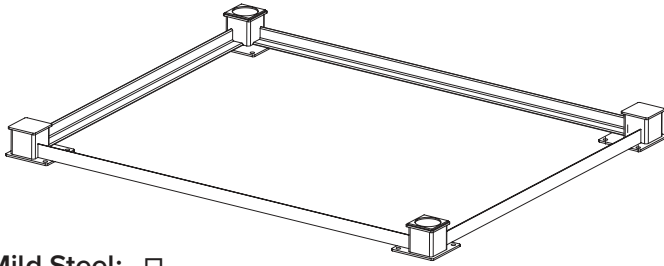
The junction box is always on the longest side of the scale unless specified differently.

Floor Scale Pit Mounted Riser Stand

Please complete and email this form to orderdesk@ricelake.com for pricing.

Standard Features

- Ideal for applications with an existing pit and the depth exceeds standard pit depth for the scale
- Designed to be anchored to pit floor (anchor bolts not included)

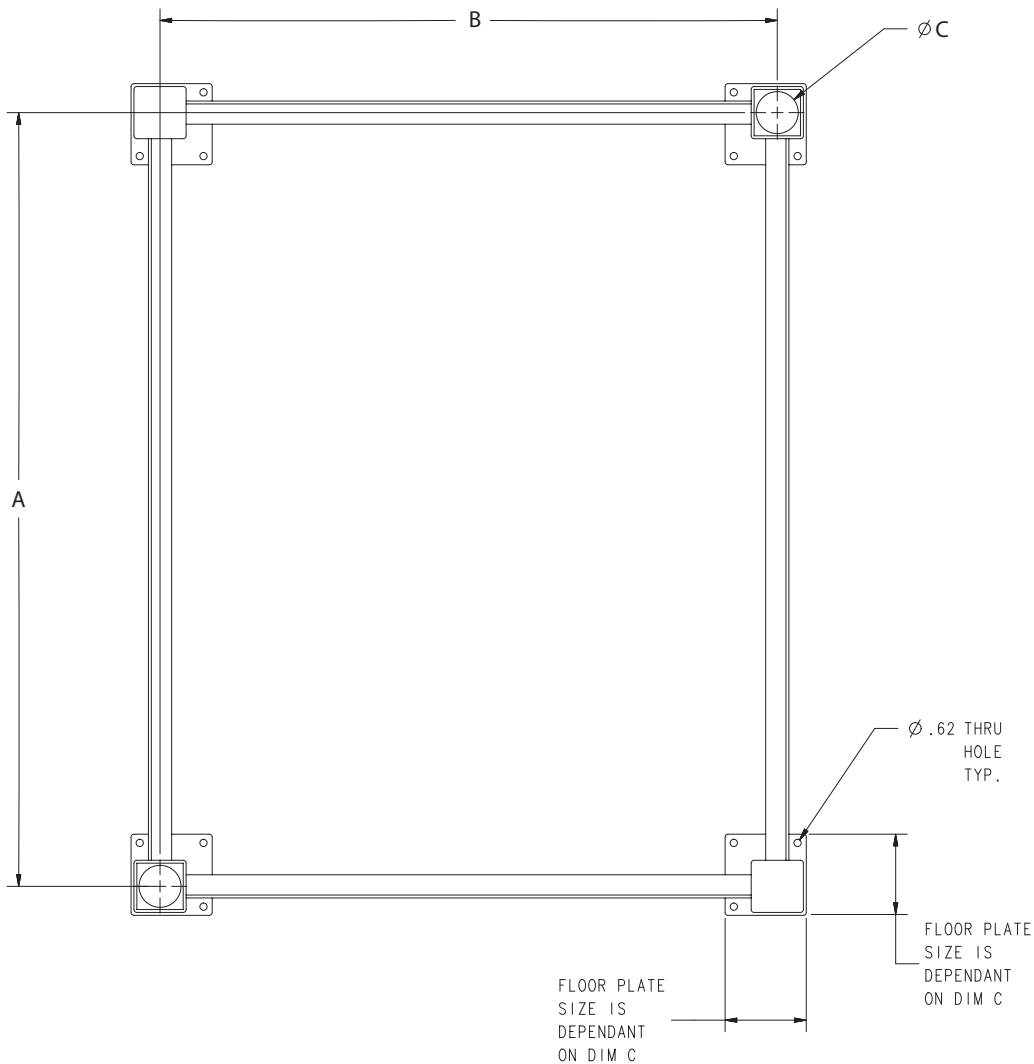
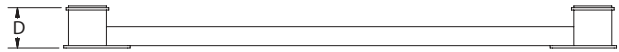


Painted Mild Steel:

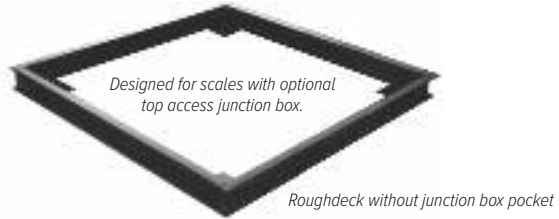
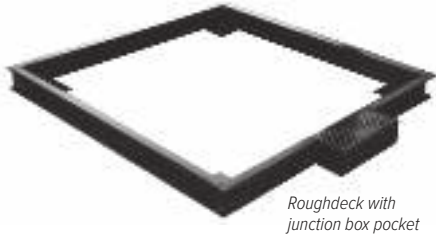
Stainless Steel:

Scale Capacity: _____

| | |
|---|--|
| A | |
| B | |
| C | |
| D | |



RoughDeck® Pit Frames



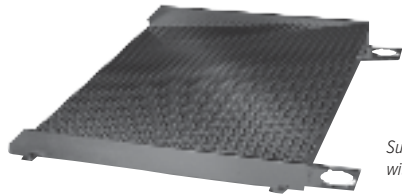
Part Number/Price

| Part # with Junction Box Pocket | Part # without Junction Box Pocket | Size (W × L) | Est. Weight | Price |
|--|------------------------------------|--------------|-------------|------------|
| RoughDeck HP: 1,000 to 10,000 lb | | | | |
| 18757 | 224271 | 2.5 × 2.5 ft | 88 lb | \$445.00 |
| 18759 | 224272 | 3 × 3 ft | 102 lb | \$495.00 |
| 18761 | 224273 | 4 × 4 ft | 127 lb | \$630.00 |
| 18763 | 224274 | 5 × 5 ft | 154 lb | \$785.00 |
| 18765 | 224275 | 4 × 5 ft | 140 lb | \$710.00 |
| 18767 | 224276 | 4 × 6 ft | 157 lb | \$785.00 |
| 18769 | 224277 | 5 × 6 ft | 172 lb | \$865.00 |
| 18771 | 224278 | 5 × 7 ft | 185 lb | \$925.00 |
| RoughDeck HP-H: 20,000 lb | | | | |
| 39595 | 224279 | 4 × 4 ft | 309 lb | \$780.00 |
| 39596 | 224280 | 4 × 5 ft | 352 lb | \$835.00 |
| 39597 | 224281 | 4 × 6 ft | 391 lb | \$895.00 |
| 39598 | 224282 | 4 × 7 ft | 459 lb | \$1,025.00 |
| 39599 | 224283 | 5 × 5 ft | 411 lb | \$940.00 |
| 39600 | 224284 | 5 × 6 ft | 460 lb | \$1,070.00 |
| 39601 | 224285 | 5 × 7 ft | 473 lb | \$1,115.00 |
| 39602 | 224286 | 6 × 6 ft | 583 lb | \$1,240.00 |
| 39603 | 224287 | 6 × 7 ft | 597 lb | \$1,290.00 |
| 39604 | 224288 | 6 × 8 ft | 610 lb | \$1,365.00 |
| 39605 | 224289 | 7 × 9 ft | 683 lb | \$1,450.00 |
| 39606 | 224290 | 7 × 10 ft | 781 lb | \$1,530.00 |
| 39607 | 224291 | 8 × 10 ft | 795 lb | \$1,585.00 |
| RoughDeck HP-H: 30,000 lb | | | | |
| 39608 | 224292 | 4 × 4 ft | 356 lb | \$925.00 |
| 39609 | 224293 | 4 × 5 ft | 402 lb | \$970.00 |
| 39610 | 224294 | 4 × 6 ft | 444 lb | \$1,055.00 |
| 39611 | 224295 | 4 × 7 ft | 516 lb | \$1,160.00 |
| 39612 | 224296 | 5 × 5 ft | 464 lb | \$1,115.00 |
| 39613 | 224297 | 5 × 6 ft | 498 lb | \$1,185.00 |
| 39614 | 224298 | 5 × 7 ft | 533 lb | \$1,240.00 |
| 39615 | 224299 | 6 × 6 ft | 643 lb | \$1,445.00 |
| 39619 | 224300 | 7 × 10 ft | 850 lb | \$1,605.00 |
| 39620 | 224301 | 8 × 10 ft | 875 lb | \$1,665.00 |
| RoughDeck SS and HE: 1,000 to 10,000 lb | | | | |
| 18758 | 224302 | 2.5 × 2.5 ft | 88 lb | \$1,525.00 |
| 18760 | 224303 | 3 × 3 ft | 102 lb | \$1,525.00 |
| 18762 | 224304 | 4 × 4 ft | 127 lb | \$1,895.00 |
| 18764 | 224305 | 5 × 5 ft | 154 lb | \$2,345.00 |
| 18766 | 224306 | 4 × 5 ft | 140 lb | \$2,125.00 |
| 18772 | 224307 | 5 × 7 ft | 185 lb | \$2,790.00 |

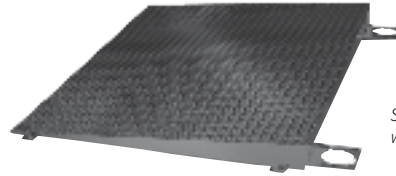
Options/Accessories

| Part # | Description | Price |
|---------|-------------|-----------------------------|
| Consult | Epoxy paint | +\$150.00 list price add-on |

Summit® 3000 Access Ramps



Summit Access Ramps
with Side Rails



Summit Access Ramps
without Side Rails

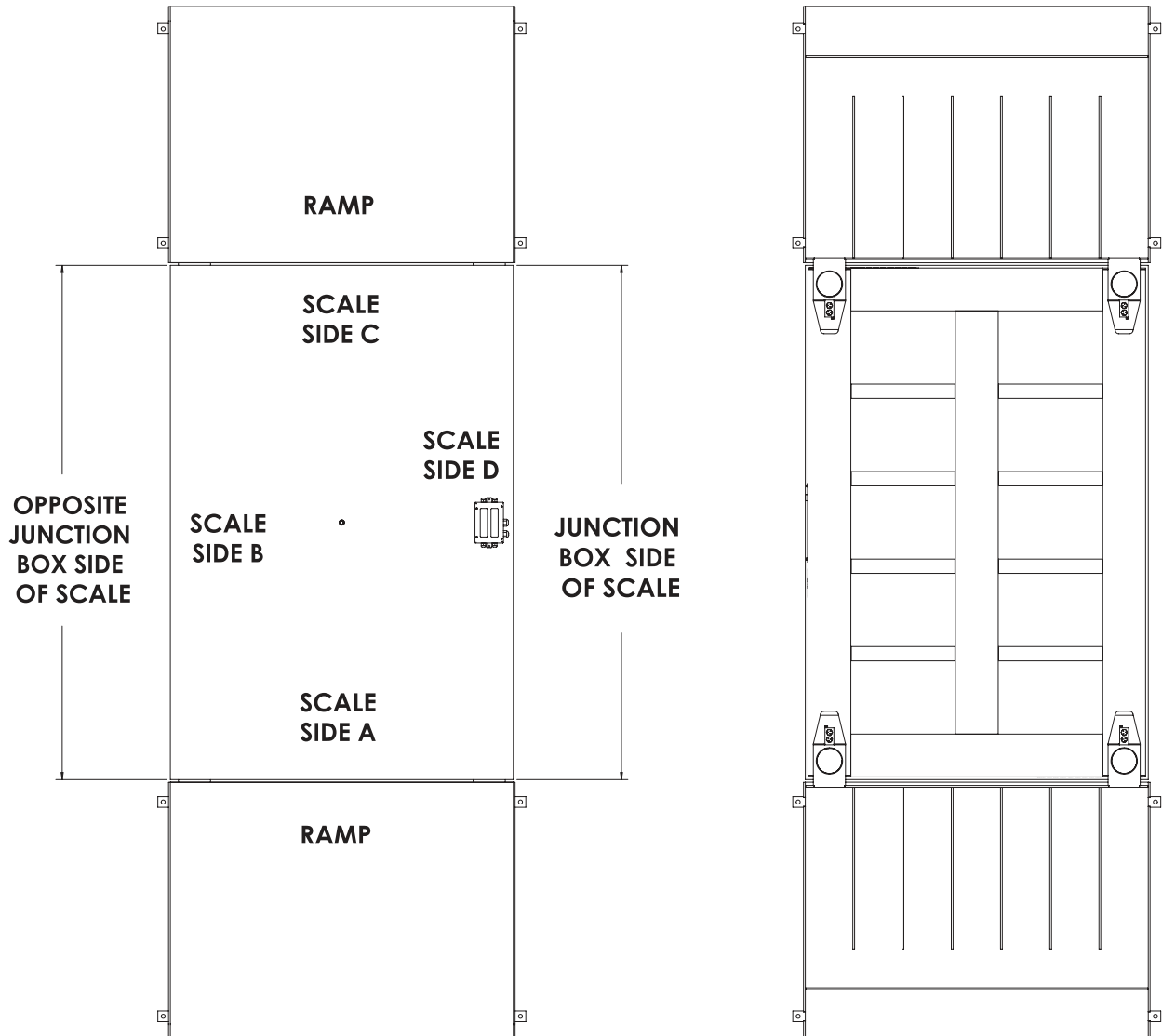
Part Number/Price

| Part # with Side Rails | Part # without Side Rails | Size (W × L × H) (Diamond Treadplate Standard) | Ramp Angle of Incline | Est. Weight | Price |
|------------------------|---------------------------|---|-----------------------|-------------|----------|
| 74953* | 224124 | 3 ft × 3 ft × 3.625 in | 6° | 133 lb | \$620.00 |
| 74954* | 224125 | 4 ft × 3 ft × 3.625 in | 6° | 177 lb | \$680.00 |
| 74955* | 224126 | 5 ft × 3 ft × 3.625 in | 6° | 226 lb | \$765.00 |
| 74956 | 224127 | 3 ft × 4 ft × 3.625 in | 4° | 177 lb | \$725.00 |
| 74957 | 224129 | 4 ft × 4 ft × 3.625 in | 4° | 224 lb | \$810.00 |
| 74958 | 224130 | 5 ft × 4 ft × 3.625 in | 4° | 272 lb | \$860.00 |

*Not recommended for use with pallet jacks

NOTE: Part numbered ramps are designed to fit scale on sides perpendicular to junction box. The junction box is always on longest side of scale unless specified differently. Part numbered ramps are designed to fit scale sides A or C; if you need a ramp to fit scale side B or D, please request a quote for a special ramp

FLOOR SCALES



Underdeck View

Summit® 3000 Pit Frames



Summit Pit Frames

Part Number/Price

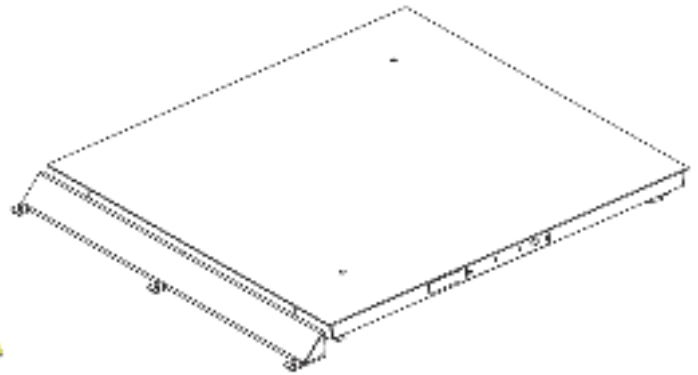
| Part # | Size (W × L) | Est. Weight | Price |
|--------|--------------|-------------|----------|
| 75036 | 3 × 3 ft | 100 lb | \$495.00 |
| 75037 | 4 × 4 ft | 125 lb | \$630.00 |
| 75040 | 5 × 5 ft | 155 lb | \$785.00 |
| 75038 | 4 × 5 ft | 140 lb | \$710.00 |
| 75039 | 4 × 6 ft | 157 lb | \$785.00 |

FLOOR SCALES

Bumper Guards

Option A

FLOOR SCALES



Anchor bolt size required:
1/2 in dia (Not included)

Construction:
RoughDeck® HP and HP-H versions
(Mild steel, painted safety yellow)
RoughDeck SS/HE (304 stainless steel)

Part Number/Price

| Length | RoughDeck HP | Price Each | RoughDeck SS/HE | Price Each | RoughDeck HP-H | Price Each |
|---------|--------------|------------|-----------------|------------|----------------|------------|
| 2.5 ft | 86815 | \$140.00 | 86824 | \$245.00 | 86833 | \$245.00 |
| 3.0 ft | 86816 | \$170.00 | 86825 | \$290.00 | 86834 | \$290.00 |
| 4.0 ft | 86817 | \$225.00 | 86826 | \$385.00 | 86835 | \$385.00 |
| 5.0 ft | 86818 | \$285.00 | 86827 | \$480.00 | 86836 | \$480.00 |
| 6.0 ft | 86819 | \$340.00 | 86828 | \$575.00 | 86837 | \$575.00 |
| 7.0 ft | 86820 | \$395.00 | 86829 | \$670.00 | 86838 | \$670.00 |
| 8.0 ft | 86821 | \$450.00 | 86830 | \$765.00 | 86839 | \$765.00 |
| 9.0 ft | 86822 | \$510.00 | 86831 | \$860.00 | 86840 | \$860.00 |
| 10.0 ft | 86823 | \$565.00 | 86832 | \$960.00 | 86841 | \$960.00 |

Accessories

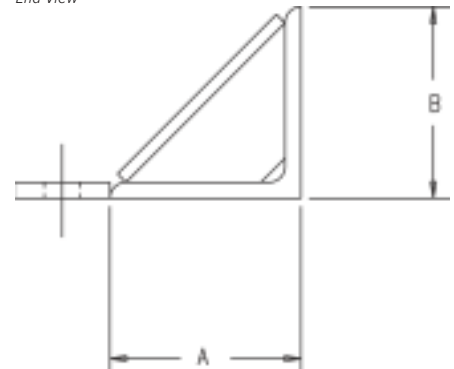
| Part # | Description | Price |
|--------------|--|---------|
| 18777 | Floor anchor plates, mild steel (set of two), RoughDeck HP | \$38.00 |
| 18778 | Floor anchor plates, stainless steel (set of two), RoughDeck SS/HE | \$50.00 |
| 40387 | Floor anchor plates, mild steel (set of two), RoughDeck HP-H 20,000 lb | \$51.00 |
| 40388 | Floor anchor plates, mild steel (set of two), RoughDeck HP-H 30,000 lb | \$51.00 |

Dimensions

| Model | A | B |
|-----------------|------|------|
| RoughDeck HP | 3 in | 3 in |
| RoughDeck SS/HE | 3 in | 3 in |
| RoughDeck HP-H | 4 in | 4 in |

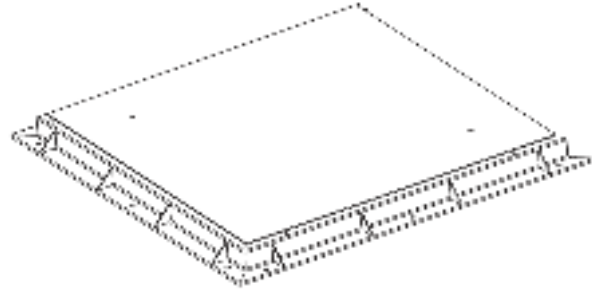
Note: 1 in=25.4 mm

End View



Bumper Guards

Option B



Note: If you plan to surround scale on all four sides with bumper guards, option B, please contact factory as a special bumper guard must be made to accommodate the home run cable exit.

Anchor bolt size required:
1/2 in dia (Not Included)

Construction:
RoughDeck® HP and HP-H versions
(Mild steel, painted safety yellow)
RoughDeck SS/HE (304 stainless steel)

FLOOR SCALES

Part Number/Price

| Length | RoughDeck HP | Price Each | RoughDeck SS/HE | Price Each | RoughDeck HP-H | Price Each |
|---------|--------------|------------|-----------------|------------|----------------|------------|
| 2.5 ft | 86843 | \$135.00 | 86852 | \$200.00 | 86861 | \$200.00 |
| 3.0 ft | 86844 | \$165.00 | 86853 | \$240.00 | 86862 | \$240.00 |
| 4.0 ft | 86845 | \$220.00 | 86854 | \$315.00 | 86863 | \$315.00 |
| 5.0 ft | 86846 | \$270.00 | 86855 | \$395.00 | 86864 | \$395.00 |
| 6.0 ft | 86847 | \$325.00 | 86856 | \$475.00 | 86865 | \$475.00 |
| 7.0 ft | 86848 | \$385.00 | 86857 | \$555.00 | 86866 | \$555.00 |
| 8.0 ft | 86849 | \$435.00 | 86858 | \$630.00 | 86867 | \$630.00 |
| 9.0 ft | 86850 | \$490.00 | 86859 | \$710.00 | 86868 | \$710.00 |
| 10.0 ft | 86851 | \$540.00 | 86860 | \$790.00 | 86869 | \$790.00 |

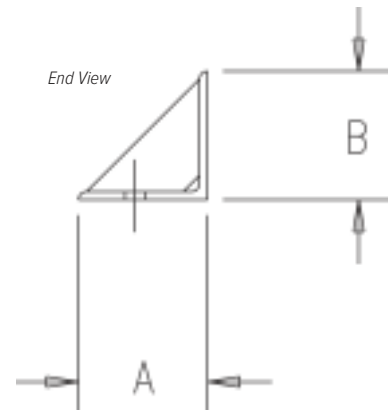
Accessories

| Part # | Description | Price |
|--------------|--|---------|
| 18777 | Floor anchor plates, mild steel (set of two), RoughDeck HP | \$38.00 |
| 18778 | Floor anchor plates, stainless steel (set of two), RoughDeck SS/HE | \$50.00 |
| 40387 | Floor anchor plates, mild steel (set of two), RoughDeck HP-H 20,000 lb | \$51.00 |
| 40388 | Floor anchor plates, mild steel (set of two), RoughDeck HP-H 30,000 lb | \$51.00 |

Dimensions

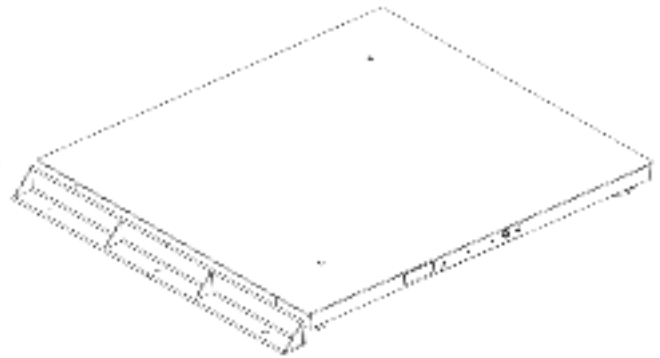
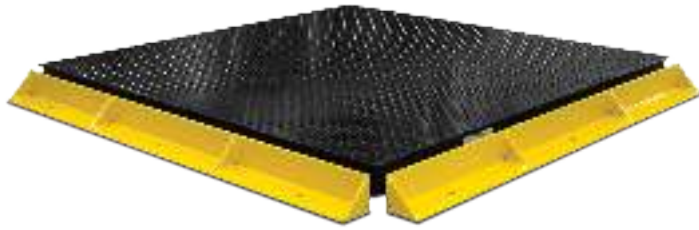
| Model | A | B |
|-----------------|------|------|
| RoughDeck HP | 3 in | 3 in |
| RoughDeck SS/HE | 3 in | 3 in |
| RoughDeck HP-H | 4 in | 4 in |

Note: 1 in=25.4 mm



Bumper Guards

Option C



Anchor bolt size required:
1/2 in dia (not included)

Construction:
RoughDeck® HP and HP-H versions
(Mild steel, painted safety yellow)
RoughDeck SS/HE
(304 stainless steel)

FLOOR SCALES

Part Number/Price

| Length | RoughDeck HP | Price Each | RoughDeck SS/HE | Price Each | RoughDeck HP-H | Price Each |
|---------|--------------|------------|-----------------|------------|----------------|------------|
| 2.5 ft | 86870 | \$90.00 | 86879 | \$205.00 | 86888 | \$205.00 |
| 3.0 ft | 86871 | \$115.00 | 86880 | \$250.00 | 86889 | \$250.00 |
| 4.0 ft | 86872 | \$145.00 | 86881 | \$335.00 | 86890 | \$335.00 |
| 5.0 ft | 86873 | \$180.00 | 86882 | \$410.00 | 86891 | \$410.00 |
| 6.0 ft | 86874 | \$220.00 | 86883 | \$495.00 | 86892 | \$495.00 |
| 7.0 ft | 86875 | \$255.00 | 86884 | \$575.00 | 86893 | \$575.00 |
| 8.0 ft | 86876 | \$295.00 | 86885 | \$665.00 | 86894 | \$665.00 |
| 9.0 ft | 86877 | \$325.00 | 86886 | \$745.00 | 86895 | \$745.00 |
| 10.0 ft | 86878 | \$360.00 | 86887 | \$825.00 | 86896 | \$825.00 |

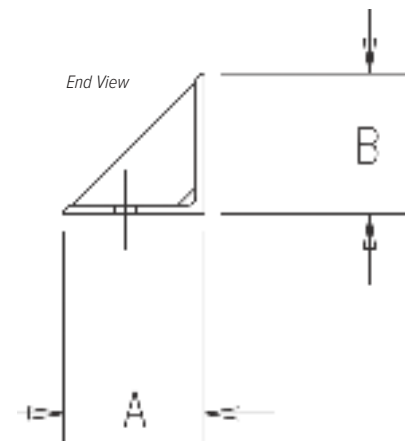
Accessories

| Part # | Description | Price |
|--------------|--|---------|
| 18777 | Floor anchor plates, mild steel (set of two), RoughDeck HP | \$38.00 |
| 18778 | Floor anchor plates, stainless steel (set of two), RoughDeck SS/HE | \$50.00 |
| 40387 | Floor anchor plates, mild steel (set of two), RoughDeck HP-H 20,000 lb | \$51.00 |
| 40388 | Floor anchor plates, mild steel (set of two), RoughDeck HP-H 30,000 lb | \$51.00 |

Dimensions

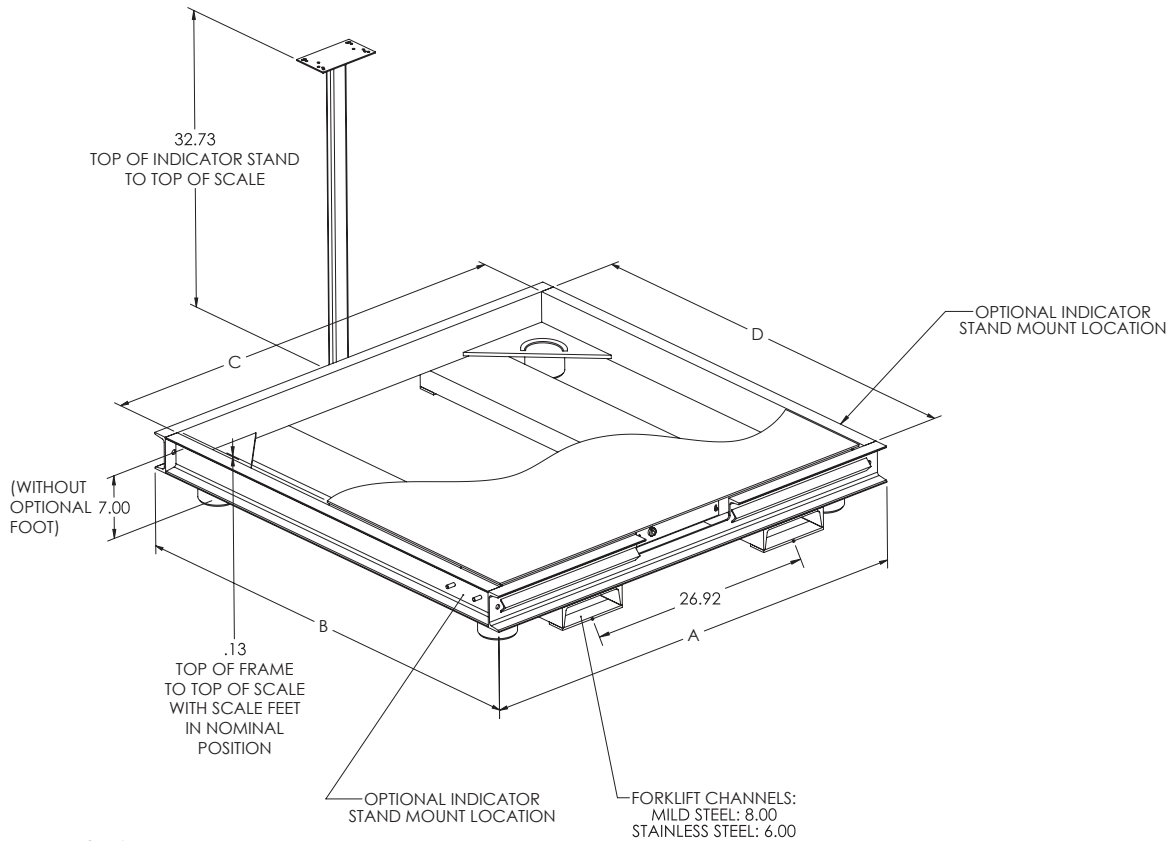
| Model | A | B |
|-----------------|------|------|
| RoughDeck HP | 3 in | 3 in |
| RoughDeck SS/HE | 3 in | 3 in |
| RoughDeck HP-H | 4 in | 4 in |

Note: 1 in=25.4 mm



RoughDeck® HP and SS

Forklift Portability Frames



FLOOR SCALES

Part Number/Price

| Part # | Size (W × L) | Est. Weight | Price |
|--|--|-------------|------------|
| RoughDeck HP Portability Frames | | | |
| 164492 | 4 × 4 ft, up to 10,000 lb capacity, floor stand for indicator 36.3 in high, indicator stand mounting bracket | 275 lb | \$1,350.00 |
| 164493 | 5 × 5 ft, up to 10,000 lb capacity, floor stand for indicator 36.3 in high, indicator stand mounting bracket | 400 lb | \$1,475.00 |
| RoughDeck SS Portability Frames | | | |
| 164494 | 4 × 4 ft, up to 10,000 lb capacity, floor stand for indicator 36.3 in high, indicator stand mounting bracket | 275 lb | \$3,965.00 |
| 164495 | 5 × 5 ft, up to 10,000 lb capacity, floor stand for indicator 36.3 in high, indicator stand mounting bracket | 400 lb | \$4,325.00 |

NOTE: Indicator stand mount bracket works with 120/120 Plus, 882IS/882IS Plus, 882IS/882IS Plus w/battery, 880/880 Plus, 480/480 Plus, 482/482 Plus, 680 Synergy

NOTE: Consult factory if you intend on using with a pallet jack

Options

| Part # | Size (L × W) | Est. Weight | Price |
|----------------|---|-------------|---------|
| Options | | | |
| 74574 | SST, captured ball foot 3.00 in diameter 1/2-20 UNF thread with jam nut | 3.0 lb | \$80.00 |

Dimensions

| Portability Frame | | |
|--|----------------------|---------------------------|
| 4 × 4 ft | | |
| A | Mild steel: 51.92 in | Stainless steel: 52.75 in |
| B | Mild steel: 51.92 in | Stainless steel: 52.75 in |
| C | 48.75 in | |
| D | 48.75 in | |
| 5 × 5 ft | | |
| A | Mild steel: 63.92 in | Stainless steel: 64.75 in |
| B | Mild steel: 63.92 in | Stainless steel: 64.75 in |
| C | 60.75 in | |
| D | 60.75 in | |
| Distance from floor to inside of strap on the fork entry (without optional foot) (4 × 4 ft) | | |
| | Mild steel: 3/4 in | Stainless steel: 1/2 in |
| Distance from inside of strap to top of the fork entry (without optional foot) (5 × 5 ft) | | |
| | Mild steel: 2 in | Stainless steel: 2 1/4 in |

Note: 1 in=25.4 mm

RoughDeck® HP

Forklift SENDit Portability Frames, Non-NTEP

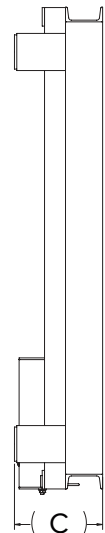
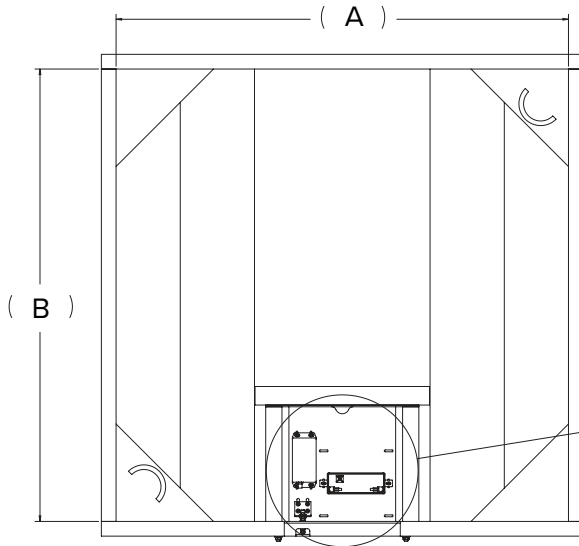
FLOOR SCALES



Scale is sold separately

Standard Features

- Wireless connection from scale to operator display
- Works with any basic digital weight indicator
- Excitation to the load cell(s) provided by the transmitter, not the indicator
- Transmitter excitation voltage: +4.8 VDC, 16 × 350 ohm or 32 × 700 ohm load cells
- Each transmitter/receiver set is individually paired and will not interfere with another set



Part Number/Price

| Part # | Size (W × L) | Est. Weight | Price |
|--|--|-------------|------------|
| Roughdeck HP Portability Frame | | | |
| 210900 | Roughdeck HP 4 × 4 ft, up to 10,000 lb capacity, frame only | 350 lb | \$1,475.00 |
| 210901 | Roughdeck HP 5 × 5 ft, up to 10,000 lb capacity, frame only | 395 lb | \$1,600.00 |
| SENDit Wireless Electronics Kit | | | |
| 210898 | SENDit wireless load cell interface kit, non-NTEP, indicator not included (customer to supply) | - | \$3,265.00 |

Options/Accessories

| Part # | Description | Price |
|--------|------------------|----------|
| 162173 | Battery, 6 V SLA | \$145.00 |
| 74574 | Foot | \$80.00 |

Dimensions

| Scale Size | 4 × 4 ft | 5 × 5 ft |
|------------|----------|----------|
| A | 48.75 in | 60.75 in |
| B | 48.75 in | 60.75 in |
| C | 9.50 in | 9.50 in |

Note: 1 in=25.4 mm

RoughDeck® HP

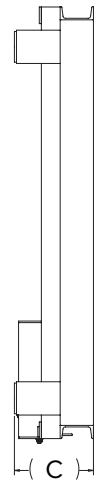
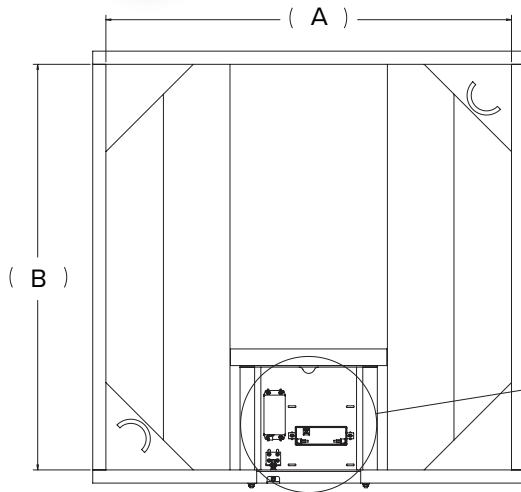
Forklift SENDit Portability Frames, NTEP



Standard Features

- Wireless connection from scale to operator display
- Excitation to the load cell(s) provided by the transmitter, not the indicator
- Each transmitter/receiver set is individually paired and will not interfere with another set
- Transmitter excitation voltage: +4.8 VDC, 16 × 350 ohm or 32 × 700 ohm load cells
- Estimated battery life of 100 hours
- Two set points with red/green display for operator verification
- Optional audible alarm

FLOOR SCALES



Approvals



Part Number/Price

| Part # | Size (W × L) | Est. Weight | Price |
|--|--|-------------|------------|
| Roughdeck HP Portability Frame | | | |
| 210900 | Roughdeck HP 4 × 4 ft, up to 10,000 lb capacity, frame only | 350 lb | \$1,475.00 |
| 210901 | Roughdeck HP 5 × 5 ft, up to 10,000 lb capacity, frame only | 395 lb | \$1,600.00 |
| SENDit Wireless Electronics Kit | | | |
| 210899 | Sendit wireless load cell interface kit, NTEP, Includes one 8004HD display | - | \$4,215.00 |

Options/Accessories

| Part # | Description | Price |
|--------|-----------------|----------|
| 162173 | Battery, 6V SLA | \$145.00 |
| 74574 | Foot | \$80.00 |

Dimensions

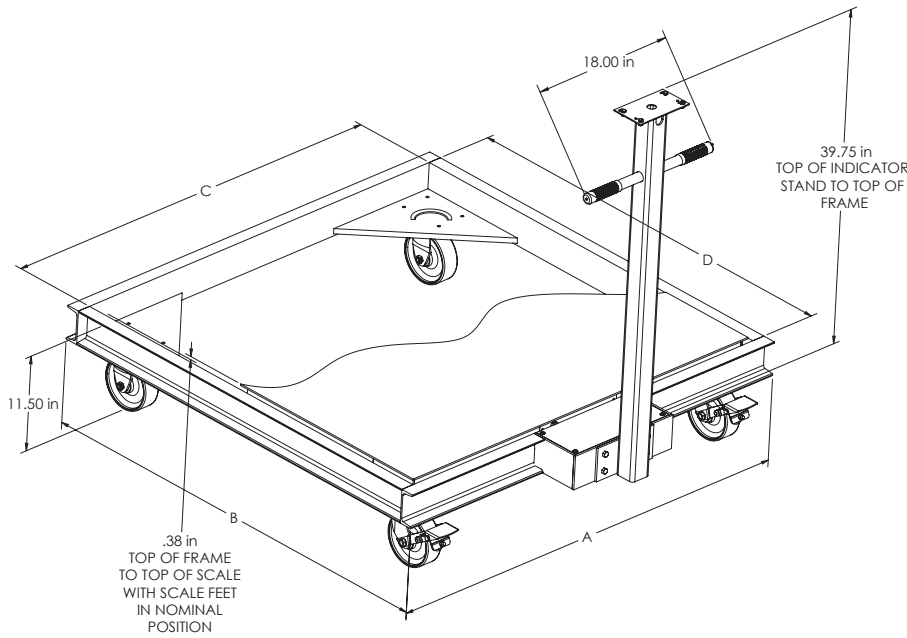
| Scale Size | 4 × 4 ft | 5 × 5 ft |
|------------|----------|----------|
| A | 48.75 in | 60.75 in |
| B | 48.75 in | 60.75 in |
| C | 9.50 in | 9.50 in |

Note: 1 in=25.4 mm

RoughDeck® HP

Caster Portability Frames

FLOOR SCALES



Standard Features

- Painted mild steel
- Indicator stand fits 480 Legend weight indicators
- Two rigid forged steel casters, two swivel forged steel caster with lock on back
- Casters for scales 1,000 to 5,000 lb are rated for 4,000 lb each

Part Number/Price

| Part # | Size (W × L × H) | Est. Weight | Price |
|--|--|-------------|------------|
| RoughDeck HP Caster Portability Frames | | | |
| 157785 | 2.5 × 2.5 ft, for RoughDeck HP 1,000 to 5,000 lb | 220 lb | \$2,195.00 |
| 157791 | 3 × 3 ft, for RoughDeck HP 1,000 to 5,000 lb | 240 lb | \$2,195.00 |
| 157792 | 4 × 4 ft, for RoughDeck HP 1,000 to 5,000 lb | 260 lb | \$2,195.00 |
| 157793 | 4 × 4 ft, for RoughDeck HP 10,000 lb | 260 lb | \$2,450.00 |
| RoughDeck HP Caster Portability Frame with Conductive Wheels for use with 882IS | | | |
| 199096 | 2.5 × 2.5 ft, for RoughDeck HP 1,000 to 5,000 lb | 220 lb | \$2,495.00 |
| 199097 | 3 × 3 ft, for RoughDeck HP 1,000 to 5,000 lb | 240 lb | \$2,495.00 |
| 199098 | 4 × 4 ft, for RoughDeck HP 1,000 to 5,000 lb | 260 lb | \$2,495.00 |

NOTE: Indicator stand mount bracket works with 120/120 Plus, 882IS/882IS Plus, 882IS/882IS Plus w/battery, 880/880 Plus, 480/480 Plus, 482/482 Plus, 680 Synergy

Dimensions

| Caster Portability Frame | |
|---|-------|
| 2.5 × 2.5 ft (1,000 to 5,000 lb) | |
| A | 33.92 |
| B | 33.92 |
| C | 30.75 |
| D | 30.75 |
| 3 × 3 ft (1,000 to 5,000 lb) | |
| A | 39.92 |
| B | 39.92 |
| C | 36.75 |
| D | 36.75 |
| 4 × 4 ft (1,000 to 5,000 lb) | |
| A | 51.92 |
| B | 51.92 |
| C | 48.75 |
| D | 48.75 |
| 4 × 4 ft (10,000 lb) | |
| A | 51.92 |
| B | 51.92 |
| C | 48.75 |
| D | 48.75 |

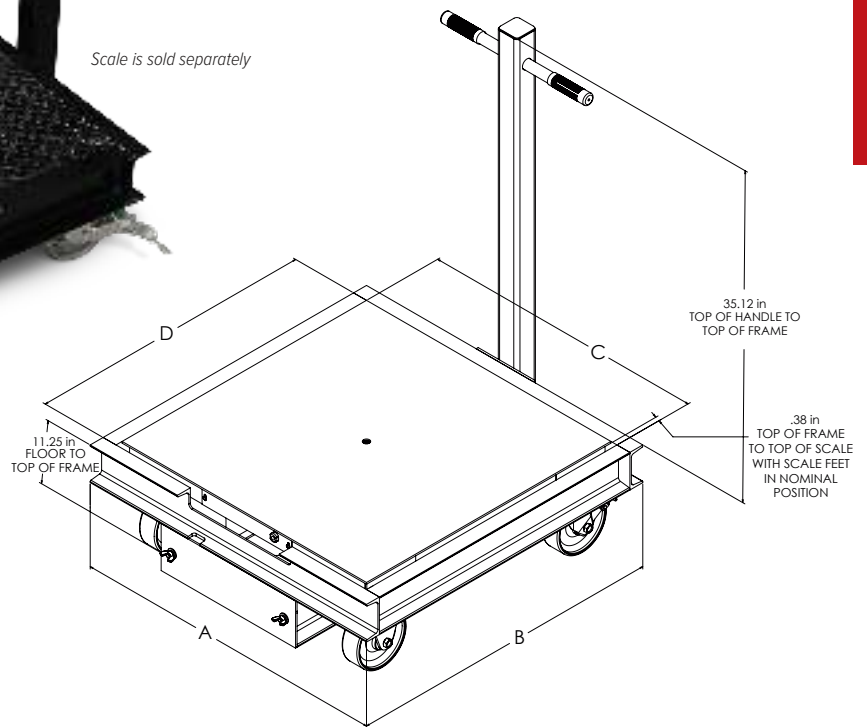
Note: 1 in=25.4 mm

RoughDeck® HP

Caster SENDit Portability Frames, Non-NTEP



Scale is sold separately



FLOOR SCALES

Standard Features

- Wireless connection from scale to operator display
- Works with any basic digital weight indicator
- Excitation to the load cell(s) provided by the transmitter, not the indicator
- Each transmitter/receiver set is individually paired and will not interfere with another set
- Transmitter excitation voltage: +4.8 VDC, 16 × 350 ohm or 32 × 700 ohm load cells

Part Number/Price

| Part # | Size (W × L) | Est. Weight | Price |
|--|--|-------------|------------|
| RoughDeck HP Caster Portability Frame | | | |
| 210902 | 2.5 × 2.5 ft, up to 5,000 lb capacity, two rigid forged steel caster on front, two swivel forged steel caster on back with drawer for SENDit, frame only | 315 lb | \$2,395.00 |
| 210903 | 3 × 3 ft, up to 5,000 lb capacity, two rigid forged steel caster on front, two swivel forged steel caster on back with drawer for SENDit, frame only | 330 lb | \$2,395.00 |
| 210904 | 4 × 4 ft, up to 5,000 lb capacity, two rigid forged steel caster on front, two swivel forged steel caster on back with drawer for SENDit, frame only | 355 lb | \$2,395.00 |
| 210905 | 4 × 4 ft, up to 10,000 lb capacity, two rigid forged steel caster on front, two swivel forged steel caster on back with drawer for SENDit, frame only | 355 lb | \$2,650.00 |
| SENDit Wireless Electronics Kit | | | |
| 210898 | SENDit wireless load cell interface kit, non-NTEP, indicator not included (customer to supply) | - | \$3,265.00 |

Options/Accessories

| Part # | Description | Price |
|--------|-----------------|----------|
| 162173 | Battery, 6V SLA | \$145.00 |

Dimensions

| Scale Size | 2.5 × 2.5 ft | 3 × 3 ft | 4 × 4 ft |
|------------|--------------|----------|----------|
| A | 33.92 in | 39.92 in | 51.92 in |
| B | 33.92 in | 39.92 in | 51.92 in |
| C | 30.75 in | 36.75 in | 48.75 in |
| D | 30.75 in | 36.75 in | 48.75 in |

Note: 1 in=25.4 mm

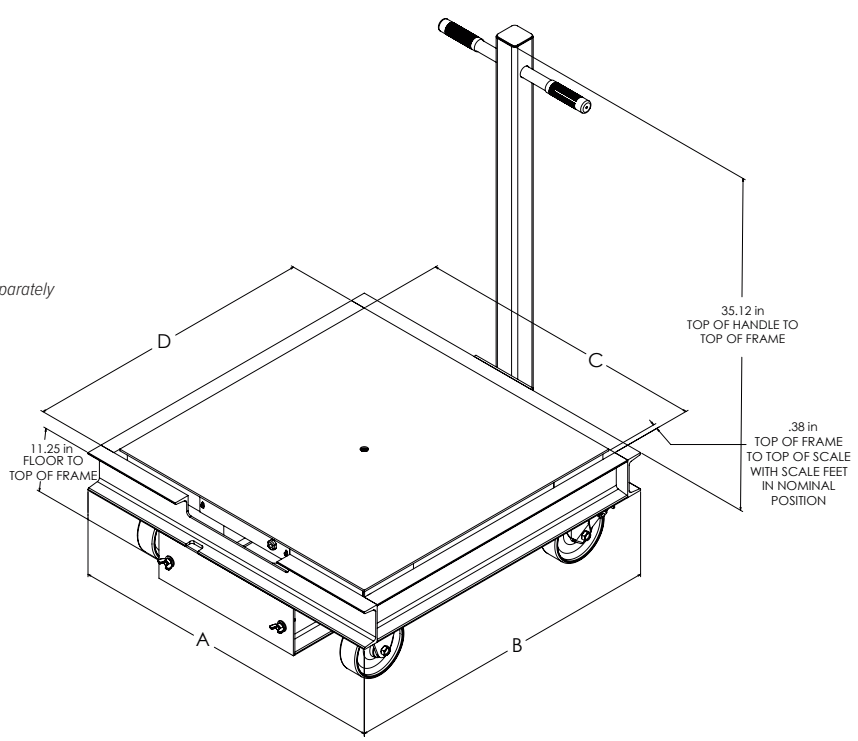
RoughDeck® HP

Caster SENDit Portability Frames, NTEP

FLOOR SCALES



Scale is sold separately



Standard Features

- Wireless connection from scale to operator display
- Excitation to the load cell(s) provided by the transmitter, not the indicator
- Each transmitter/receiver set is individually paired and will not interfere with another set
- Transmitter excitation voltage: +4.8 VDC, 16 × 350 ohm or 32 × 700 ohm load cells
- Estimated battery life of 100 hours
- Two set -points with red/green display for operator verification
- Optional audible alarm

Approvals



Part Number/Price

| Part # | Size (W × L) | Est. Weight | Price |
|--|--|-------------|------------|
| RoughDeck HP Caster Portability Frame | | | |
| 210902 | 2.5 × 2.5 ft, up to 5,000 lb capacity, two rigid forged steel caster on front, two swivel forged steel caster on back with drawer for SENDit, frame only | 315 lb | \$2,395.00 |
| 210903 | 3 × 3 ft, up to 5,000 lb capacity, two rigid forged steel caster on front, two swivel forged steel caster on back with drawer for SENDit, frame only | 330 lb | \$2,395.00 |
| 210904 | 4 × 4 ft, up to 5,000 lb capacity, two rigid forged steel caster on front, two swivel forged steel caster on back with drawer for SENDit, frame only | 355 lb | \$2,395.00 |
| 210905 | 4 × 4 ft, up to 10,000 lb capacity, two rigid forged steel caster on front, two swivel forged steel caster on back with drawer for SENDit, frame only | 355 lb | \$2,650.00 |
| SENDit Wireless Electronics Kit | | | |
| 210899 | SENDit wireless load cell interface kit, NTEP, includes one 8004HD display | - | \$4,215.00 |

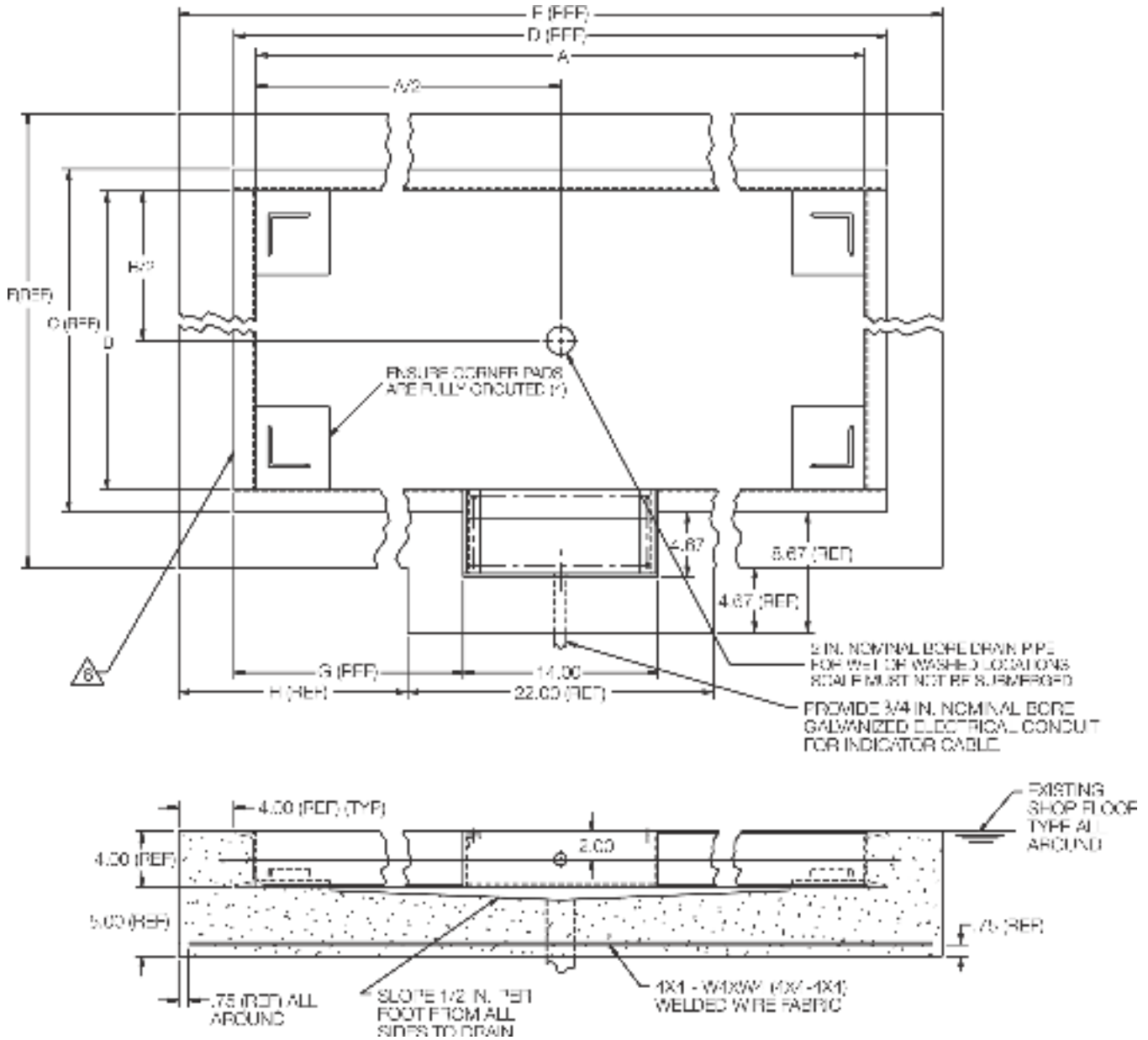
Options/Accessories

| Part # | Description | Price |
|--------|------------------|----------|
| 162173 | Battery, 6 V SLA | \$145.00 |

Dimensions

| Scale Size | 2.5 × 2.5 ft | 3 × 3 ft | 4 × 4 ft |
|------------|--------------|----------|----------|
| A | 33.92 in | 39.92 in | 51.92 in |
| B | 33.92 in | 39.92 in | 51.92 in |
| C | 30.75 in | 36.75 in | 48.75 in |
| D | 30.75 in | 36.75 in | 48.75 in |

Note: 1 in=25.4 mm



Dimensions

| Scale Size | 2.5 × 2.5 ft | 3 × 3 ft | 4 × 4 ft | 5 × 5 ft | 4 × 5 ft | 4 × 6 ft | 5 × 6 ft | 5 × 7 ft |
|------------|--------------|----------|----------|----------|----------|----------|----------|----------|
| A | 30.75 | 36.75 | 48.75 | 60.75 | 60.75 | 72.75 | 72.75 | 84.75 |
| B | 30.75 | 36.75 | 48.75 | 60.75 | 48.75 | 48.75 | 60.75 | 60.75 |
| C | 33.92 | 39.92 | 51.92 | 63.92 | 51.92 | 51.92 | 63.92 | 63.92 |
| D | 33.92 | 39.92 | 51.92 | 63.92 | 63.92 | 51.92 | 63.92 | 63.92 |
| E | 41.92 | 47.95 | 59.92 | 71.92 | 71.92 | 83.92 | 83.92 | 95.92 |
| F | 41.92 | 47.95 | 59.92 | 71.92 | 59.92 | 59.92 | 71.92 | 71.92 |
| G | 9.96 | 12.96 | 18.96 | 24.96 | 24.96 | 30.96 | 30.96 | 36.96 |
| H | 9.96 | 12.96 | 18.96 | 24.96 | 24.96 | 30.96 | 30.96 | 36.96 |

All dimensions are shown in inches. Drawing #S2944-Rev. D

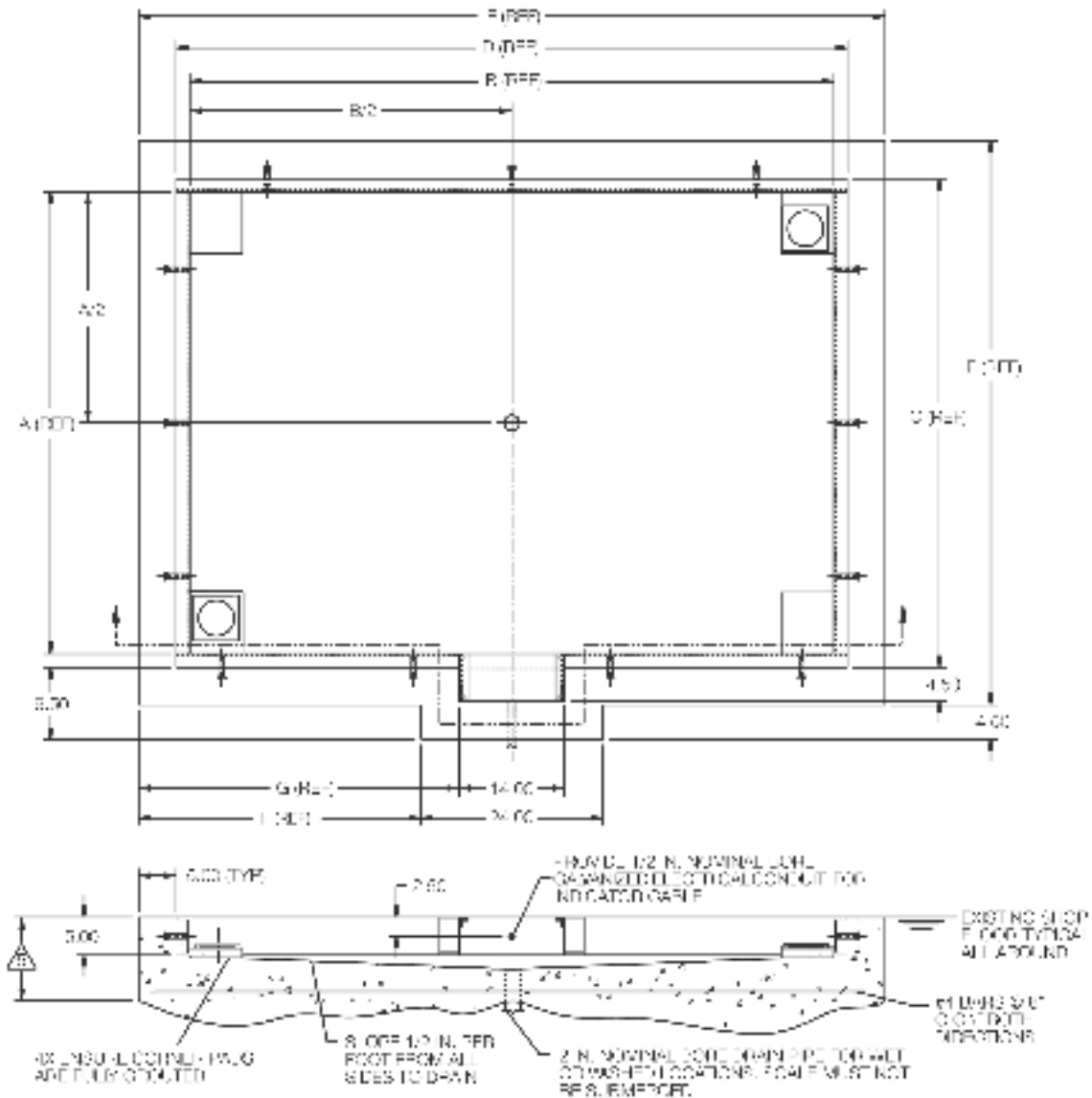
* Drawings are for standard catalog part numbered scales.

1. Use concrete of minimum yield strength 5,000 PSI or 6-bag mix.
 2. Allow 7 days to cure (wet concrete periodically during this time).
 3. Dimensions shown assume firm, stable soil conditions. When soil conditions are not adequate, place foundation at sufficient depth.
 4. In wet or washdown applications, we recommend the use of hermetically sealed load cells, and that junction box be mounted remotely in a dry location.
 5. Wire mesh to have minimum 0.75 in cover bottom and sides.
- △ On stainless steel versions, two pieces of 2 in angle will be substituted for 4 in channel.

RoughDeck® HP-H

Pit Frame Concrete Details* – 20,000 lb Capacity

FLOOR SCALES

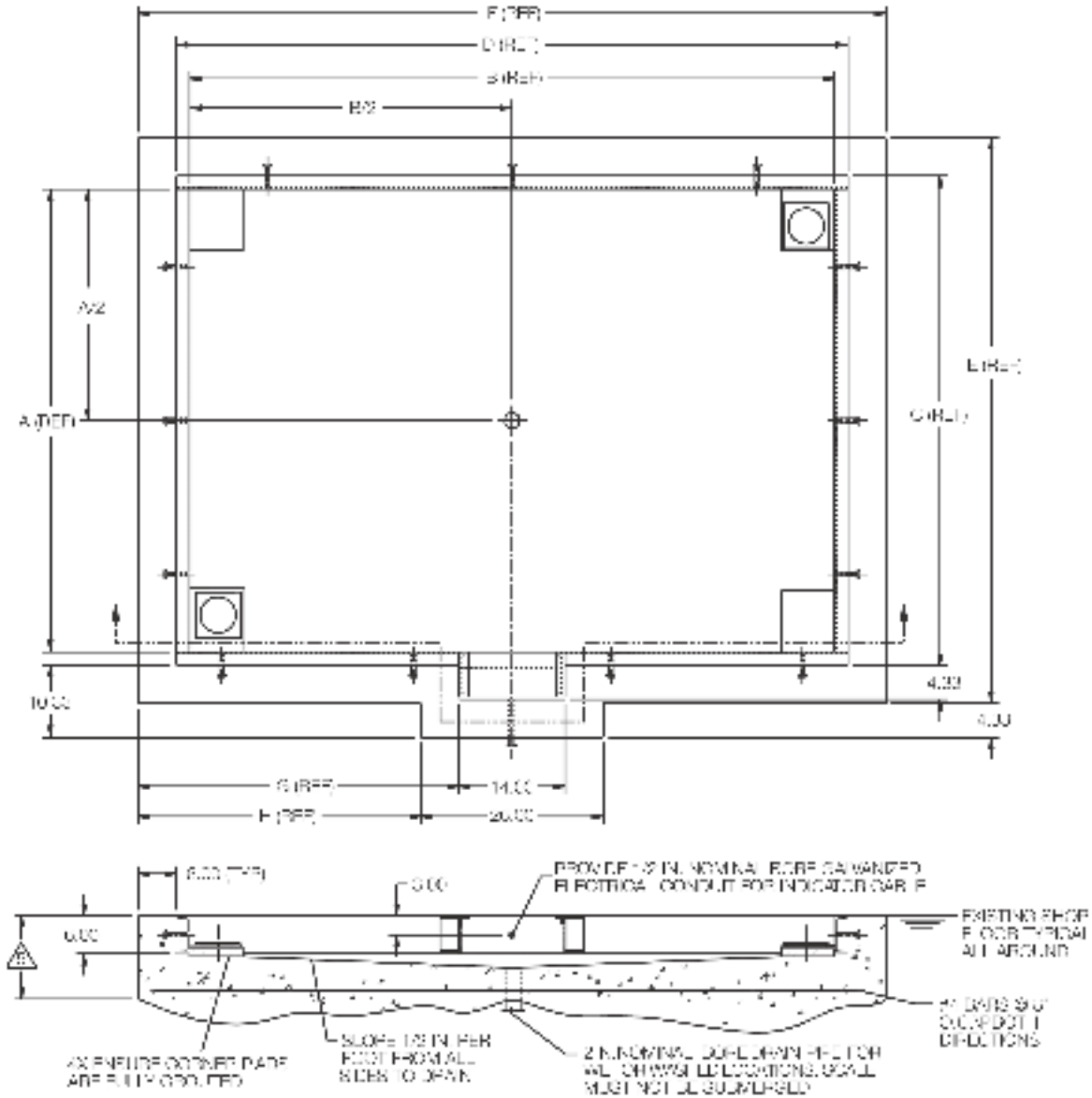


Dimensions

| Scale Size | 4 × 4 ft | 4 × 5 ft | 4 × 6 ft | 4 × 7 ft | 5 × 5 ft | 5 × 6 ft | 5 × 7 ft | Scale Size | 6 × 6 ft | 6 × 7 ft | 6 × 7 ft | 7 × 9 ft | 7 × 10 ft | 8 × 10 ft |
|------------|----------|----------|----------|----------|----------|----------|----------|------------|----------|----------|----------|----------|-----------|-----------|
| A | 49.00 | 49.00 | 49.00 | 49.00 | 61.00 | 61.00 | 61.00 | A | 73.00 | 73.00 | 73.00 | 85.00 | 85.00 | 97.00 |
| B | 49.00 | 61.00 | 73.00 | 85.00 | 61.00 | 73.00 | 85.00 | B | 73.00 | 85.00 | 97.00 | 109.00 | 121.00 | 121.00 |
| C | 52.50 | 52.50 | 52.50 | 52.50 | 64.50 | 64.50 | 64.50 | C | 76.50 | 76.50 | 76.50 | 88.50 | 88.50 | 100.50 |
| D | 52.50 | 64.50 | 76.50 | 88.50 | 64.50 | 76.50 | 88.50 | D | 76.50 | 88.50 | 100.50 | 112.50 | 124.50 | 124.50 |
| E | 62.50 | 62.50 | 62.50 | 62.50 | 74.50 | 74.50 | 74.50 | E | 86.50 | 86.50 | 86.50 | 98.50 | 98.50 | 110.50 |
| F | 62.50 | 74.50 | 86.50 | 98.50 | 74.50 | 86.50 | 98.50 | F | 86.50 | 98.50 | 110.50 | 122.50 | 134.50 | 134.50 |
| G | 24.25 | 30.25 | 36.25 | 42.25 | 30.25 | 36.25 | 42.25 | G | 36.25 | 42.25 | 48.25 | 54.25 | 60.25 | 60.25 |
| H | 19.25 | 25.25 | 31.35 | 37.25 | 25.25 | 31.35 | 37.25 | H | 31.25 | 37.25 | 43.25 | 49.25 | 55.25 | 55.25 |

1. Use concrete of minimum yield strength 5,000 PSI or 6-bag mix.
2. Allow 7 days to cure (wet concrete periodically during this time).
3. Before installing pit frame, ensure that proper sand (or soil) base is available under either existing concrete or new installation.
4. In wet or washdown applications, we recommend use of hermetically sealed load cells, and that junction box be mounted remotely in a dry location.
5. For required depth of slab, or rebar requirements specific to your application: proper engineering consultation is recommended.

All dimensions are shown in inches. Drawing #S2944A-Rev. A
 * Drawings are for standard catalog part numbered scales.



FLOOR SCALES

Dimensions

| Scale Size | 4 × 4 ft | 5 × 4 ft | 6 × 4 ft | 7 × 4 ft | 5 × 5 ft | 6 × 5 ft | 7 × 5 ft |
|------------|----------|----------|----------|----------|----------|----------|----------|
| A | 49.00 | 49.00 | 49.00 | 49.00 | 61.00 | 61.00 | 61.00 |
| B | 49.00 | 61.00 | 73.00 | 85.00 | 61.00 | 73.00 | 85.00 |
| C | 52.84 | 52.84 | 52.84 | 52.84 | 64.84 | 64.84 | 64.84 |
| D | 52.84 | 64.84 | 76.84 | 88.84 | 64.84 | 76.84 | 88.84 |
| E | 64.84 | 64.84 | 64.84 | 64.84 | 76.84 | 76.84 | 76.84 |
| F | 64.84 | 76.84 | 88.84 | 100.84 | 76.84 | 88.84 | 100.84 |
| G | 25.42 | 31.42 | 37.42 | 43.42 | 31.42 | 37.42 | 43.42 |
| H | 19.42 | 25.42 | 31.42 | 37.42 | 25.42 | 31.42 | 37.42 |

| Scale Size | 6 × 6 ft | 7 × 6 ft | 8 × 6 ft | 9 × 7 ft | 10 × 7 ft | 10 × 8 ft |
|------------|----------|----------|----------|----------|-----------|-----------|
| A | 73.00 | 73.00 | 73.00 | 85.00 | 85.00 | 97.00 |
| B | 73.00 | 85.00 | 97.00 | 109.00 | 121.00 | 121.00 |
| C | 76.84 | 76.84 | 76.84 | 88.84 | 88.84 | 100.84 |
| D | 76.84 | 88.84 | 100.84 | 112.84 | 124.84 | 124.84 |
| E | 88.84 | 88.84 | 88.84 | 100.84 | 100.84 | 112.84 |
| F | 88.84 | 100.84 | 112.84 | 112.84 | 136.84 | 136.84 |
| G | 37.42 | 43.42 | 49.42 | 55.42 | 61.42 | 61.42 |
| H | 31.42 | 37.42 | 43.42 | 49.42 | 55.42 | 55.42 |

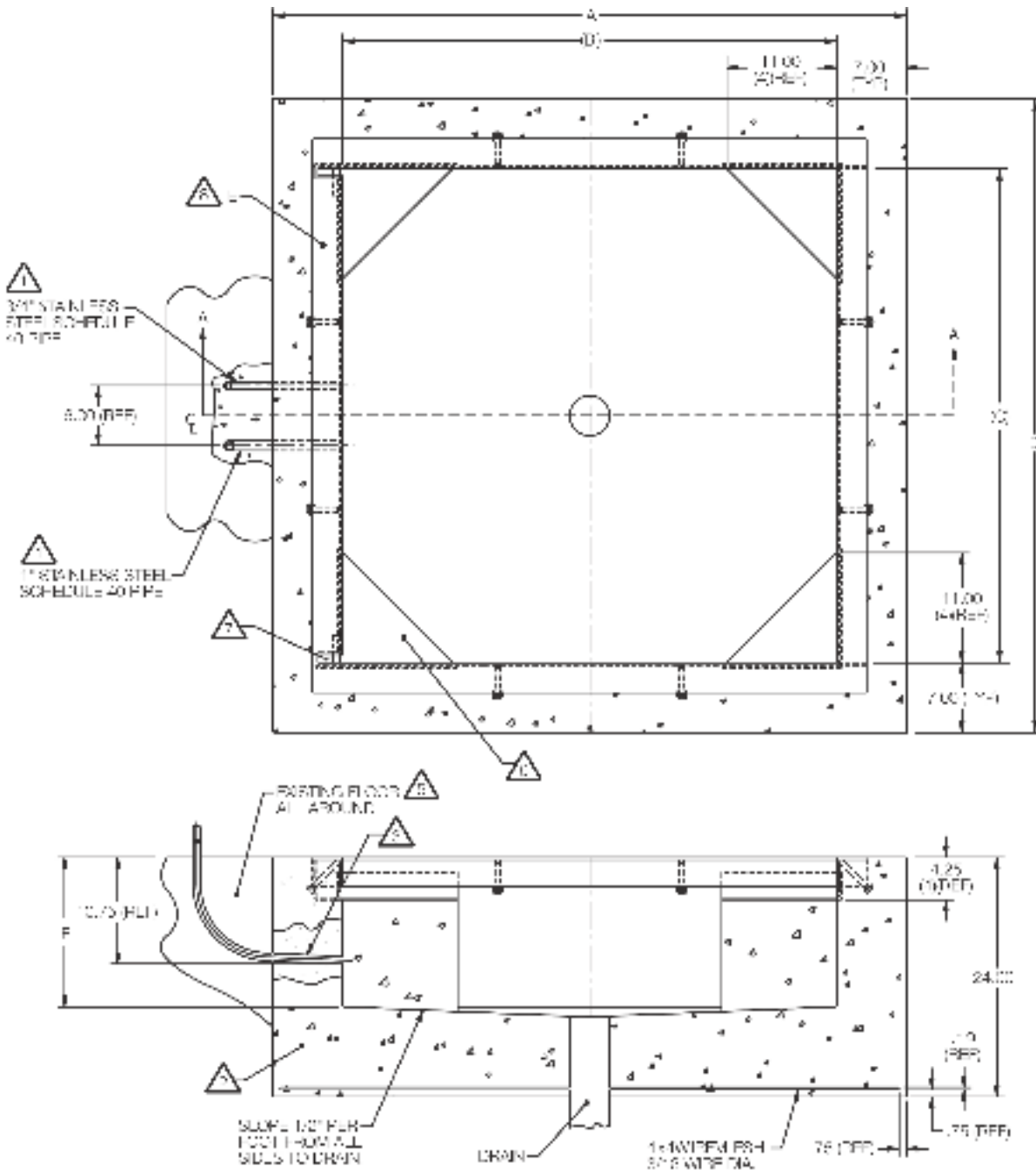
1. Use concrete of minimum yield strength 5,000 PSI or 6-bag mix.
2. Allow 7 days to cure (wet concrete periodically during this time).
3. Before installing pit frame, ensure that proper sand (or soil) base is available under either existing concrete or new installation.
4. In wet or washdown applications, we recommend the use of hermetically sealed load cells, and that junction box be mounted remotely in a dry location.
5. For required depth of slab, or rebar requirements specific to your application: proper engineering consultation is recommended.

All dimensions are shown in inches. Drawing #S2944B-Rev. A
 * Drawings are for standard catalog part numbered scales.

AutoLift HE

Pit Frame Concrete Details*

FLOOR SCALES

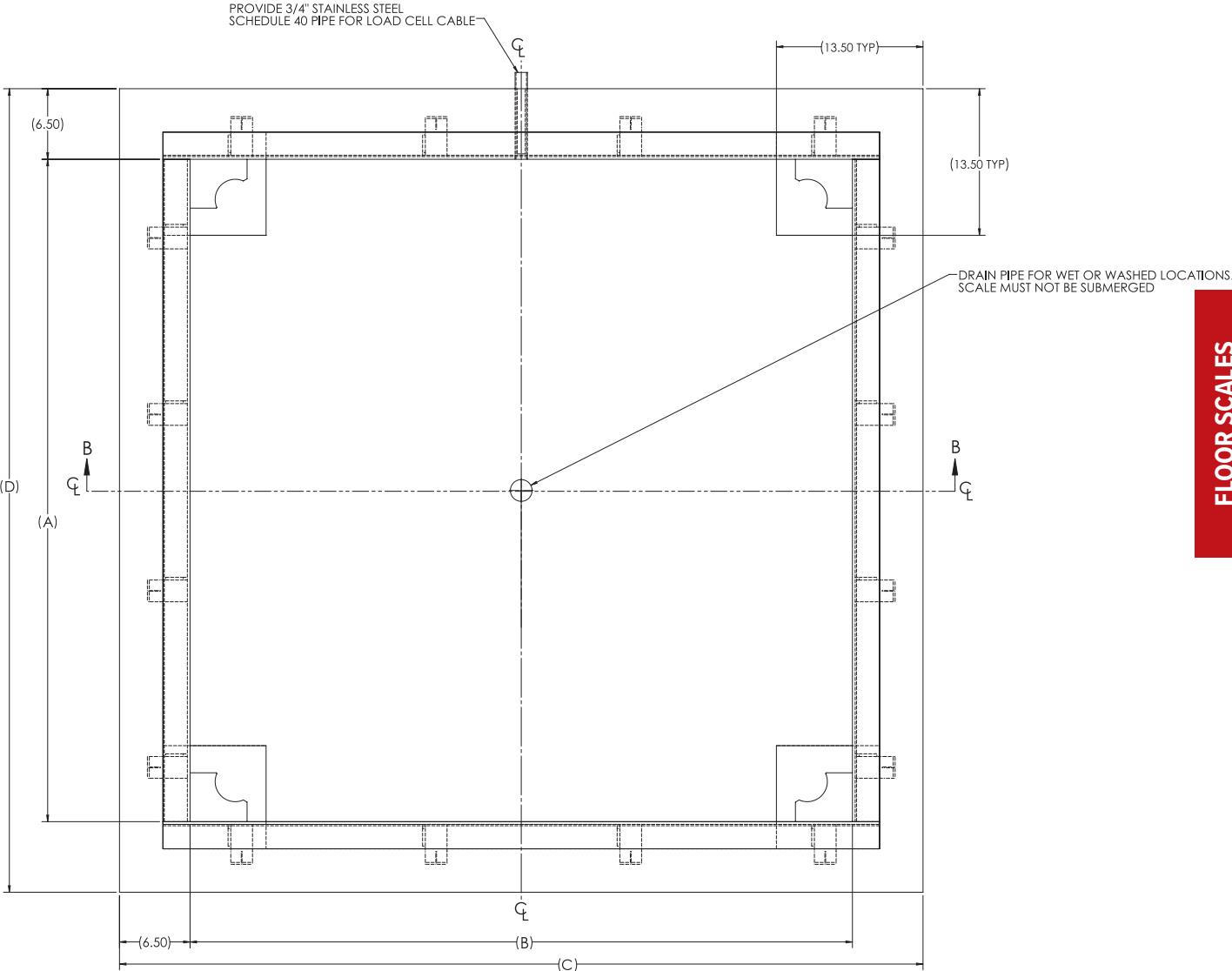


Dimensions

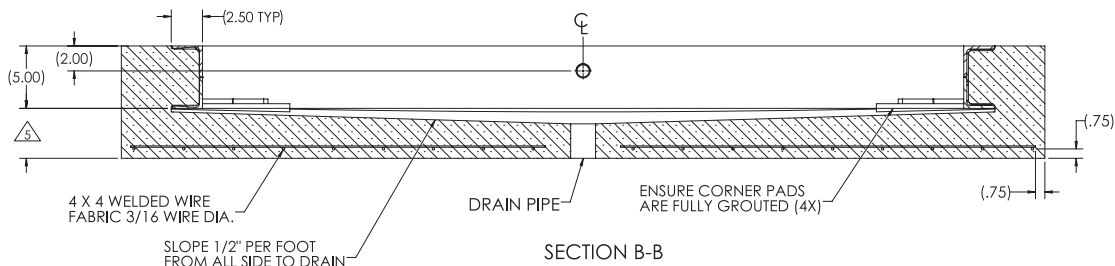
| Scale Size | 4 × 4 ft | 5 × 5 ft |
|------------|----------|----------|
| A | 63.06 | 75.06 |
| B | 49.06 | 61.06 |
| C | 49.00 | 61.06 |
| D | 63.00 | 75.00 |
| E (PN) | 41936 | 41397 |
| F | 15.00 | 16.75 |

All dimensions are shown in inches. Drawing #S5158-Rev. B.
 * Drawings are for standard catalog part numbered scales.

- ① Length of pipe is determined on site.
- ② Use concrete of minimum yield strength 5,000 PSI or 6-bag mix.
- ③ Slope pipe slightly for water drainage.
- ④ Allow concrete 7 days to cure (wet concrete periodically during this time).
- ⑤ Tie pit in with existing floor with rebar if required.
- ⑥ Ensure underside is supported with concrete or grout (plate is an integral part of frame).
- ⑦ Keep pocket free of concrete.
- ⑧ Coping must sit level in floor to allow proper operation of scale.



FLOOR SCALES



Dimensions

| Dimensions | | | | |
|------------|-------|-------|-------|-------|
| Scale Size | A | B | C | D |
| 4 x 4 ft | 49.00 | 49.00 | 62.00 | 62.00 |
| 5 x 5 ft | 61.00 | 61.00 | 74.00 | 74.00 |

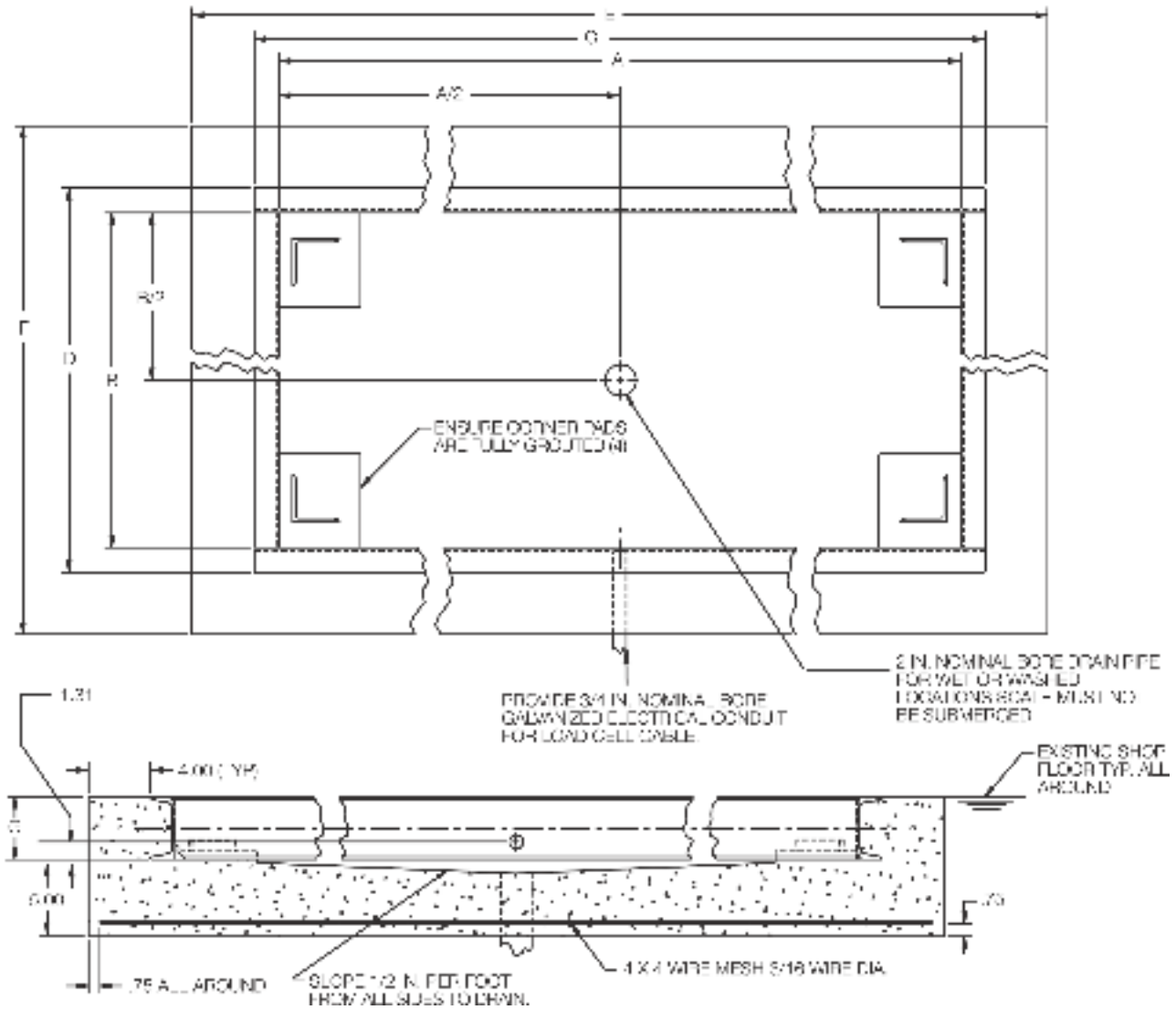
All dimensions are shown in inches.
 * Drawings are for standard catalog part numbered scales.

1. Use concrete of minimum yield strength 5,000 PSI or 6-bag mix.
 2. Allow 7 days to cure (wet concrete periodically during this time).
 3. Before installing pit frame, ensure that proper sand (or soil) base is available under either existing concrete or new installation.
 4. In wet or washdown applications, we recommend the use of hermetically sealed load cells.
- ⚠ For required depth of slab, or rebar requirements specific to your application, proper engineering consultation is recommended.

RoughDeck® QC

Pit Frame Concrete Details*

FLOOR SCALES



Dimensions

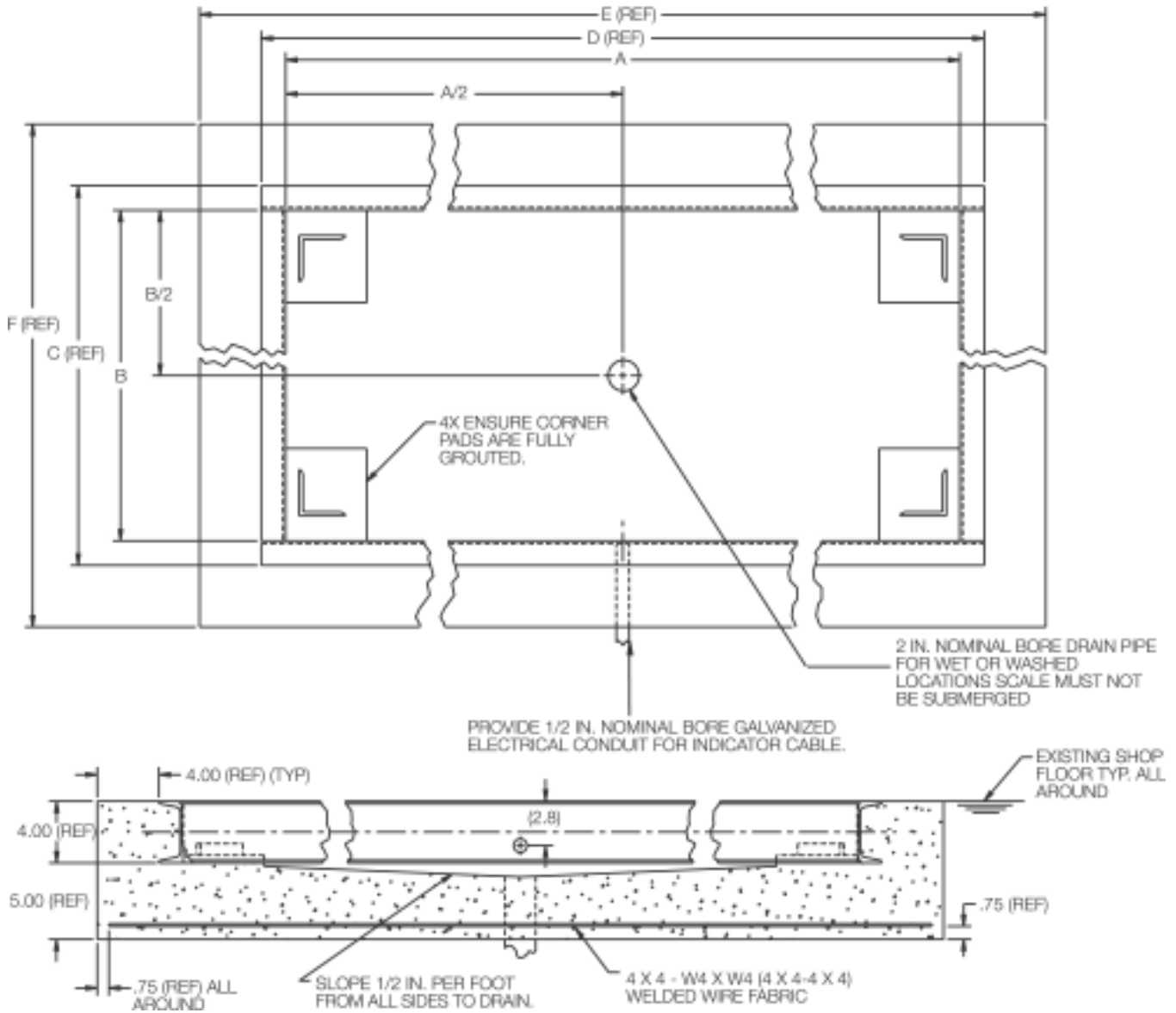
| Scale Size | A | B | C | D | E | F | G |
|-------------------------|-------|-------|-------|-------|-------|-------|------|
| 2.5 x 2.5 ft - 2,000 lb | 30.75 | 31.00 | 34.75 | 35.00 | 42.75 | 43.00 | 4.00 |
| 3 x 3 ft - 2,000 lb | 36.75 | 37.00 | 40.75 | 41.00 | 48.75 | 49.00 | 4.00 |
| 4 x 4 ft - 2,000 lb | 48.75 | 49.00 | 52.75 | 53.00 | 60.75 | 61.00 | 4.00 |
| 4 x 4 ft - 5,000 lb | 48.75 | 49.00 | 52.75 | 53.00 | 60.75 | 61.00 | 4.00 |
| 4 x 4 ft - 10,000 lb | 48.75 | 49.00 | 53.75 | 54.00 | 61.75 | 62.00 | 5.00 |
| 4 x 5 ft - 2,000 lb | 60.75 | 49.00 | 64.75 | 53.00 | 72.75 | 61.00 | 4.00 |
| 4 x 5 ft - 5,000 lb | 60.75 | 49.00 | 65.75 | 54.00 | 73.75 | 62.00 | 5.00 |
| 4 x 5 ft - 10,000 lb | 60.75 | 49.00 | 65.75 | 54.00 | 73.75 | 62.00 | 5.00 |
| 4 x 6 ft - 2,000 lb | 72.75 | 49.00 | 77.75 | 54.00 | 85.75 | 62.00 | 5.00 |

| Scale Size | A | B | C | D | E | F | G |
|----------------------|-------|-------|-------|-------|-------|-------|------|
| 4 x 6 ft - 5,000 lb | 72.75 | 49.00 | 77.75 | 54.00 | 85.75 | 62.00 | 5.00 |
| 4 x 6 ft - 10,000 lb | 72.75 | 49.00 | 78.75 | 55.00 | 86.75 | 63.00 | 6.00 |
| 5 x 5 ft - 2,000 lb | 60.75 | 61.00 | 65.75 | 66.00 | 73.75 | 74.00 | 5.00 |
| 5 x 5 ft - 5,000 lb | 60.75 | 61.00 | 65.75 | 66.00 | 73.75 | 74.00 | 5.00 |
| 5 x 5 ft - 10,000 lb | 60.75 | 61.00 | 65.75 | 66.00 | 73.75 | 74.00 | 5.00 |
| 5 x 7 ft - 2,000 lb | 84.75 | 61.00 | 90.75 | 67.00 | 98.75 | 75.00 | 6.00 |
| 5 x 7 ft - 5,000 lb | 84.75 | 61.00 | 90.75 | 67.00 | 98.75 | 75.00 | 6.00 |
| 5 x 7 ft - 10,000 lb | 84.75 | 61.00 | 90.75 | 67.00 | 98.75 | 75.00 | 6.00 |
| 6 x 6 ft - 5,000 lb | 72.75 | 73.00 | 78.75 | 79.00 | 86.75 | 87.00 | 6.00 |
| 6 x 6 ft - 10,000 lb | 72.75 | 73.00 | 78.75 | 79.00 | 86.75 | 87.00 | 6.00 |

All dimensions are shown in inches. Drawing #S6360A-Rev. D

*Drawings are for standard catalog part numbered scales.

1. Use concrete of minimum yield strength 5,000 PSI or 6-bag mix.
2. Allow 7 days to cure (wet concrete periodically during this time).
3. Dimensions shown assume firm, stable soil conditions. When soil conditions are not adequate, place foundation at sufficient depth.
4. In wet or washdown applications, we recommend the use of hermetically sealed load cells, and that the junction box be mounted remotely in a dry location.
5. Wire mesh to have minimum 0.75 in cover bottom and sides.



Dimensions

| Scale Size | 3 x 3 ft | 4 x 4 ft | 4 x 5 ft | 4 x 6 ft | 5 x 5 ft |
|------------|----------|----------|----------|----------|----------|
| A | 36.75 | 48.75 | 60.75 | 72.75 | 60.75 |
| B | 36.75 | 48.75 | 48.75 | 48.75 | 60.75 |
| C | 39.92 | 51.92 | 51.92 | 51.92 | 63.92 |
| D | 39.92 | 51.92 | 63.92 | 75.92 | 63.92 |
| E | 47.92 | 59.92 | 71.92 | 83.92 | 71.92 |
| F | 47.92 | 59.92 | 59.92 | 59.92 | 71.92 |

All dimensions are shown in inches. Drawing #S77687.
* Drawings are for standard catalog part numbered scales.

1. Use concrete of minimum yield strength 5,000 PSI or 6-bag mix.
2. Allow 7 days to cure (wet concrete periodically during this time).
3. Dimensions shown assume firm, stable soil conditions. When soil conditions are not adequate, place foundation at sufficient depth.
4. In wet or washdown applications, we recommend the use of hermetically sealed load cells and that the junction box be mounted remotely in a dry location.
5. Wire mesh to have minimum 0.75 in cover bottom and sides.

Forklift / Pallet Jack Scales

TABLE OF CONTENTS

| | |
|---|------------|
| CLS Series Class II | 424 |
| <i>Forklift Scale</i> | |
| CLS Series Class II | 425 |
| <i>Forklift Scale with Mobile Printer</i> | |
| CLS Series Class III | 426 |
| <i>Forklift Scale</i> | |
| CLS Series Options | 427 |
| <i>Forklift Scale</i> | |
| CLS Series Dimensions | 428 |
| <i>Forklift Scale</i> | |
| CLS-680 | 429 |
| <i>Forklift Scale Display</i> | |
| CLS-920i® | 430 |
| <i>Forklift Scale Display</i> | |
| VIRTUj^{®3} | 431 |
| <i>PC-Based Program for CLS Series Forklift Scale</i> | |
| RL-HPJ | 432 |
| <i>Hand Pallet Jack Scale</i> | |

Product names, logos, brands and other trademarks featured or referred to within this publication are the property of their respective trademark holders.

CLS Series Class II

Forklift Scale



Approvals



Measurement
Canada
Approved

Part Number/Price

| Part # | Capacity | Description | Est. Weight | Price |
|--|--------------|--|-------------|-------------|
| Class II, CLS-680, NTEP Certified | | | | |
| 201300 | 5,000 × 5 lb | 34 in W, 16 in H forklift carriage (36 in W with flexures), 9 to 36 VDC | 530 lb | \$9,140.00 |
| 201302 | 5,000 × 5 lb | 34 in W, 16 in H forklift carriage (36 in W with flexures), 9 to 36 VDC, cableless | 545 lb | \$11,190.00 |
| Class II, CLS-920i, NTEP Certified | | | | |
| 223214 | 5,000 × 5 lb | 34 in W, 16 in H forklift carriage (36 in W with flexures), 9 to 36 VDC | 540 lb | \$10,390.00 |
| 226201 | 5,000 × 5 lb | 34 in W, 16 in H forklift carriage (36 in W with flexures), 9 to 36 VDC, cableless | 565 lb | \$12,440.00 |
| Class II, VIRTUi³ M Series, NTEP Certified | | | | |
| 194714** | 5,000 × 5 lb | 34 in W, 16 in H forklift carriage (36 in W with flexures) | 525 lb | \$8,470.00 |
| Class II, VIRTUi³ IM Series | | | | |
| 191748** | 5,000 × 5 lb | 34 in W, 16 in H forklift carriage (36 in W with flexures) | 525 lb | \$9,020.00 |

| | | | | |
|--|--------------|--|--------|-------------|
| Class II, CLS-680 with Measurement Canada Approval | | | | |
| 214091 | 4,500 × 5 lb | 34 in W, 16 in H forklift carriage (36 in W with flexures), 9 to 36 VDC | 530 lb | \$9,140.00 |
| 208269 | 4,500 × 5 lb | 34 in W, 16 in H forklift carriage (36 in W with flexures), 9 to 36 VDC, cableless | 545 lb | \$11,190.00 |
| Class II, CLS-920i with Measurement Canada Approval | | | | |
| 215114 | 4,500 × 5 lb | 34 in W, 16 in H forklift carriage (36 in W with flexures), 9 to 36 VDC | 540 lb | \$10,390.00 |
| 216947 | 4,500 × 5 lb | 34 in W, 16 in H forklift carriage (36 in W with flexures), 9 to 36 VDC, cableless | 565 lb | \$12,440.00 |

**Weight indication device (PC/tablet) is not included; consult factory to verify compatibility with your device

Standard Features

Scale Carriage

- 34 in (Class II), 5,000 × 5 lbs, NTEP Certified
- 1-1/2 in thick front and back painted steel plates coupled by four flexures
- Top cleats are welded, pinned and bolted
- Welded centering pin
- Two 5,000 lb S-beam load cells
- iQUBE²® junction box with inclinometer
- Molded coiled cable, up to 15 ft uncoiled

Options

- 28 in (Class II), 5,000 × 5 lb, NTEP Certified
- 18 to 72 VDC, CLS-680

Presale Requirements

- Provide completed forklift questionnaire for quotation
- Compatible with most Class II forklift attachments, consult factory

Installation Recommendations

- When installing a forklift scale on an electric forklift, static discharge protection must be present on the forklift and install a chassis mount power conditioner to protect scale electronics.
- When installing a forklift scale, OSHA requires the end user to de-rate the lift capacity of the forklift.

Specifications

Warranty:

Two-year limited

Approvals:

NTEP 06-074

Measurement Canada AM-5893

CLS Series Class II

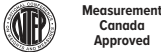
Forklift Scale with Mobile Printer



Standard Features

- Preconfigured for use with Zebra ZQ630 Printer, CLS-680 Mode 608
- Package includes:
 - CLS -680 scale assembly
 - Zebra ZQ630 thermal printer
 - Printer mount kit
 - DC power supply for printer
 - Serial and adapter cables from indicator to printer

Approvals



Part Number/Price

| Part # | Capacity | Description | Est. Weight | Price |
|---|--------------|--|-------------|-------------|
| Class II, CLS-680, Zebra Printer, NTEP Certified | | | | |
| 207505 | 5,000 × 5 lb | 34 in W, 16 in H forklift carriage (36 in W with flexures) with Zebra ZQ630 Printer, wired, 12 to 24 VDC | 545 lb | \$11,270.00 |
| 206446 | 5,000 × 5 lb | 34 in W, 16 in H forklift carriage (36 in W with flexures) with Zebra ZQ630 Printer, 12 to 24 VDC, cableless | 570 lb | \$13,320.00 |
| 210982 | 5,000 × 5 lb | 34 in W, 16 in H forklift carriage (36 in W with flexures) with Zebra ZQ630 Printer, wired, 18 to 60 VDC | 545 lb | \$11,660.00 |
| 208619 | 5,000 × 5 lb | 34 in W, 16 in H forklift carriage (36 in W with flexures) with Zebra ZQ630 Printer, 18 to 60 VDC, cableless | 570 lb | \$13,710.00 |

FORKLIFT / PALLET JACK SCALES

GROSS 1680 lb

11:43 AM 10/20/24

Gross label

GROSS 1930 lb

TARE 510 lb

NET 1420 lb

11:43 AM 10/20/24

Net label

CLS Series Class III

Forklift Scale



Standard Features

Scale Carriage

- 38 in (Class III), 8,000 × 5 lbs, non-NTEP
- 1-1/2 in thick front and back painted steel plates coupled by four flexures
- Top cleats are welded, pinned and bolted
- Welded centering pin
- Two 5,000 lb S-beam load cells
- iQUBE²® junction box with inclinometer
- Molded coiled cable, up to 15 ft uncoiled

Presale Requirements

- Provide completed forklift questionnaire for quotation
- Compatible with most Class III forklift attachments, consult factory

Installation Recommendations

- When installing a forklift scale on an electric forklift, static discharge protection must be present on the forklift and install a chassis mount power conditioner to protect scale electronics.
- When installing a forklift scale, OSHA requires the end user to de-rate the lift capacity of the forklift.

Specifications

Warranty:

Two-year limited

Part Number/Price

| Part # | Capacity | Description | Est. Weight | Price |
|--|--------------|--|-------------|-------------|
| Class III, CLS-680, Non-NTEP Certified | | | | |
| 212521 | 8,000 × 5 lb | 38 in W, 20 in H forklift carriage, 9 to 36 VDC | 985 lb | \$13,140.00 |
| 214092 | 8,000 × 5 lb | 38 in W, 20 in H forklift carriage, 9 to 36 VDC, cableless | 990 lb | \$15,190.00 |
| Class III, CLS-920i, Non-NTEP Certified | | | | |
| 219975 | 8,000 × 5 lb | 38 in W, 20 in H forklift carriage, 9 to 36 VDC | 990 lb | \$14,390.00 |
| 214093 | 8,000 × 5 lb | 38 in W, 20 in H forklift carriage, 9 to 36 VDC, cableless | 1,005 lb | \$16,440.00 |

FORKLIFT /
PALLET JACK SCALES

CLS Indicator

CLS-680 (page 429)

The CLS-680 was designed from the ground-up specifically for forklift applications. With a machined aluminum anodized enclosure, the CLS-680 is ideal for demanding, general-purpose forklift applications. Its compact size is attached with a RAM® mount for flexible positioning and minimal obstruction. Additional features include rounded corners, vibration protection and surge suppression.

- Six-digit, seven-segment LED display
- Battery backed time and date
- On/off power switch
- 9 to 26 VDC or 18 to 72 VDC power supply
- Cabled or cableless
- RS-232 serial port
- Wi-Fi
- Bluetooth®

CLS Indicator

CLS-920i (page 430)

The CLS-920i incorporates the flexibility, intelligence and programmability of the 920i in a smaller enclosure with a DC power supply for use on forklifts. The standard program offers weight indication, configuration, calibration and diagnostics specific to the CLS. Customize it for your application with an optional user program.

- Painted mild steel enclosure
- Backlit graphical LCD display
- Battery backed time and date
- On/off power switch
- 9 to 36 VDC power supply
- Cabled or cableless
- Two available RS-232 ports for added options
- Optional Wi-Fi
- Optional Bluetooth®

CLS Virtual Solution

VIRTUi³ (page 431)

Weight data is displayed on a device using VIRTUi³ software, creating a virtual indicator. The CLS connects to your device using RS-232, USB or Bluetooth®. Choose between the CLS-M or CLS-IM configuration for static or in-motion use.

- Weight indication device (PC/tablet) is not included
- Consult factory to verify compatibility with your device
- Bluetooth® connection available
- USB connection available

Cableless

The cableless option removes the coiled communications/power cable between the scale and the indicator. A rechargeable battery is secured to the scale and it powers the scale and the paired wireless modules provide communication.

- 802.15 wireless interface
- Lithium-ion battery and charger
- On/off power switch
- Battery life: 24 hours of constant use
- Battery recharge time: 8 hours to fully recharge
- Reinforced battery box welded to top cover

Wi-Fi

Wi-Fi is a standard feature for the CLS-680 and is available as a factory installed option for the CLS-920i.

- Wireless LAN card 802.11 b/g
- Range: Up to 328 ft indoors
- Operating frequency: ISM 2.4 GHz

Bluetooth®

Bluetooth® communication is a standard feature for the CLS-680 and is available as an external option for the CLS-920i. It is also available in a communications/power box for the virtual solution.

Forklift Capacity Derating

During the initial scale installation, remind the customer that they must have an updated ID plate on the forklift stating the new lifting capacity and center of gravity information. This is required per OSHA rules and regulations.

| | 28 In | 34 In | 38 In |
|---|---------|---------|----------|
| Vertical center of gravity (VCG) of scale = | 8.06 in | 8.06 in | 10.15 in |
| Horizontal center of gravity (HCG) of scale = | 2.09 in | 2.09 in | 2.83 in |
| Effective thickness (ET) of scale = | 4.55 in | 4.55 in | 6.06 in |
| Weight of scale = | 392 lb | 420 lb | 987 lb |

CLS Series Dimensions

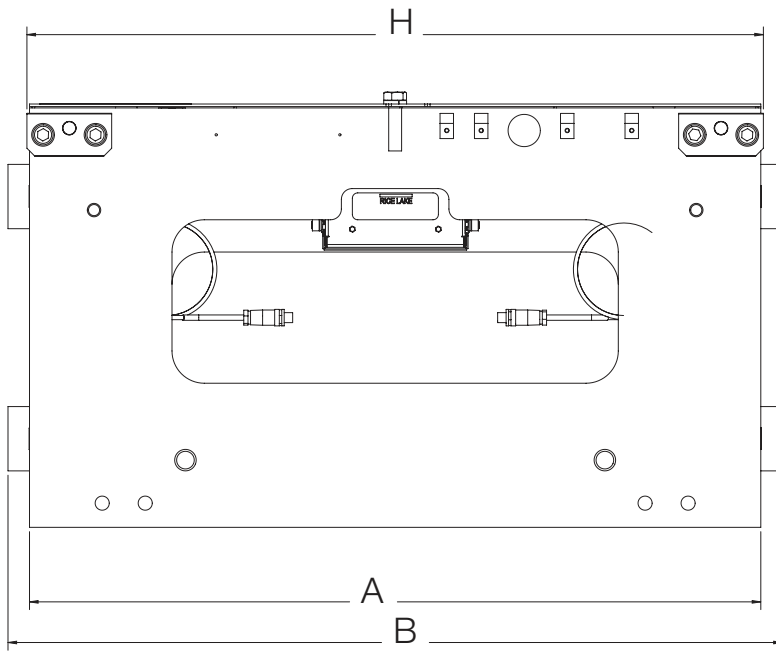
Forklift Scale

Dimensions

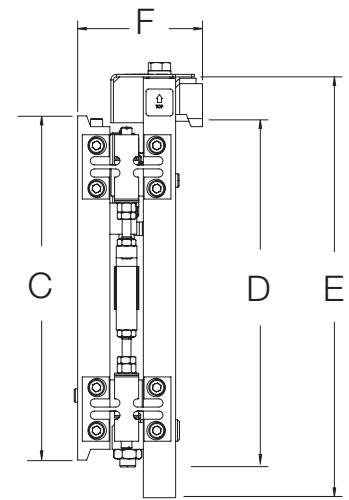
| CLS Class II | | | |
|-----------------|-------------------|---|-------------------|
| 28 in, 5,000 lb | | | |
| A | 28.00 in (711 mm) | E | 19.50 in (495 mm) |
| B | 30.00 in (762 mm) | F | 4.49 in (114 mm) |
| C | 16.00 in (406 mm) | G | 21.80 in (554 mm) |
| D | 16.29 in (414 mm) | H | 28.24 in (717 mm) |
| 34 in, 5,000 lb | | | |
| A | 34.00 in (864 mm) | E | 19.50 in (495 mm) |
| B | 36.00 in (914 mm) | F | 4.49 in (114 mm) |
| C | 16.00 in (406 mm) | G | 21.80 in (556 mm) |
| D | 16.29 in (413 mm) | H | 34.24 in (870 mm) |

Dimensions

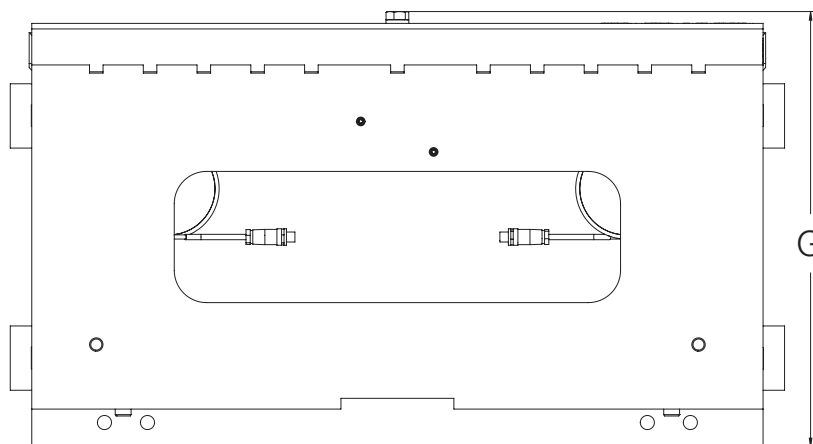
| CLS Class III | | | |
|-----------------|--------------------|---|-------------------|
| 38 in, 8,000 lb | | | |
| A | 38.00 in (965 mm) | E | 24.50 in (622 mm) |
| B | 40.00 in (1016 mm) | F | 6.04 in (153 mm) |
| C | 20.00 in (508 mm) | G | 26.68 in (678 mm) |
| D | 20.15 in (512 mm) | H | 38.00 in (965 mm) |



Front view



Side view



Rear view

**FORKLIFT /
PALLET JACK SCALES**



Approvals

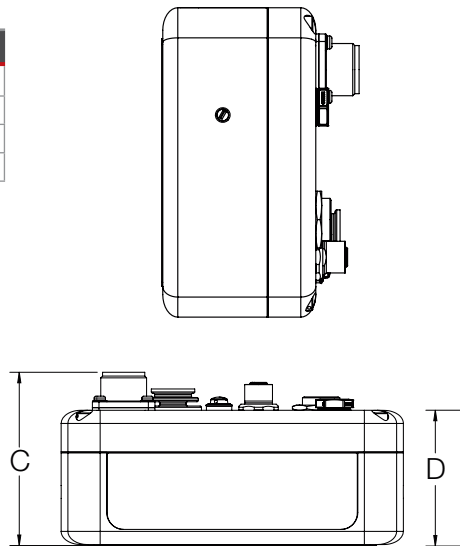
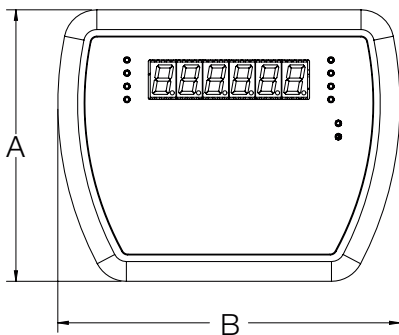


Part Number/Price

| Part # | Description | Price |
|--------|---------------------------------|------------|
| 206439 | CLS-680 indicator, 9 to 36 VDC | \$1,310.00 |
| 204239 | CLS-680 indicator, 18 to 72 VDC | \$1,590.00 |

Dimensions

| CLS-680 | |
|---------|-----------------|
| A | 5.2 in (132 mm) |
| B | 6.5 in (165 mm) |
| C | 3.3 in (84 mm) |
| D | 2.5 in (64 mm) |



Standard Features

- LED display
- Battery backed time and date
- Full numeric keypad
- Numeric keyed entry allowed for tare
- Formattable tickets
- CLS user modes
- Machined aluminum enclosure with rounded corners
- Wi-Fi standard
- Bluetooth® standard
- Embedded antenna
- RAM® style mount ability
- M16 connector, CLS scale connection
- M12 connector, RS-232
- Power cable connector
- PreVent™ breather vent
- Illuminated power switch

Options

- Cableless interface to CLS with Zigbee module
- RAM style mounts
- Molded M12 serial cables

Specifications

Power:

DC voltages: 9 to 36 VDC or 18 to 72 VDC

Communication Ports:

Two RS-232 full duplex, one reserved for CLS Bluetooth® SSP

Wi-Fi: Wireless 802.11 b/g/n 2.5 GHz

Zigbee, reserved for CLS cableless option

Annunciators:

10 LED

Display:

Six-digit, 0.5 in tall, seven-segment digits

Keys/Buttons:

Flat membrane panel, tactile feel (18 buttons)

Temperature:

Certified: 14 °F to 104 °F (-10 °C to 40 °C)

Industrial: 14 °F to 122 °F (-10 °C to 50 °C)

Dimensions:

(L × W × H)

6.5 × 5.2 × 3.3 in

(165 × 132 × 84 mm)

Estimated Weight:

3.7 lb (1.7 kg)

Material:

Machined aluminum enclosure, anodized finish

EMC Immunity:

EN 50082 Part 2 IEC 61000-4-2,3,4,5,6,8 and 11

Warranty:

Two-year limited

Approvals:

NTEP 21-092, Class III/IIIL, 5,000d

CLS-920i®

Forklift Scale Display



Approvals



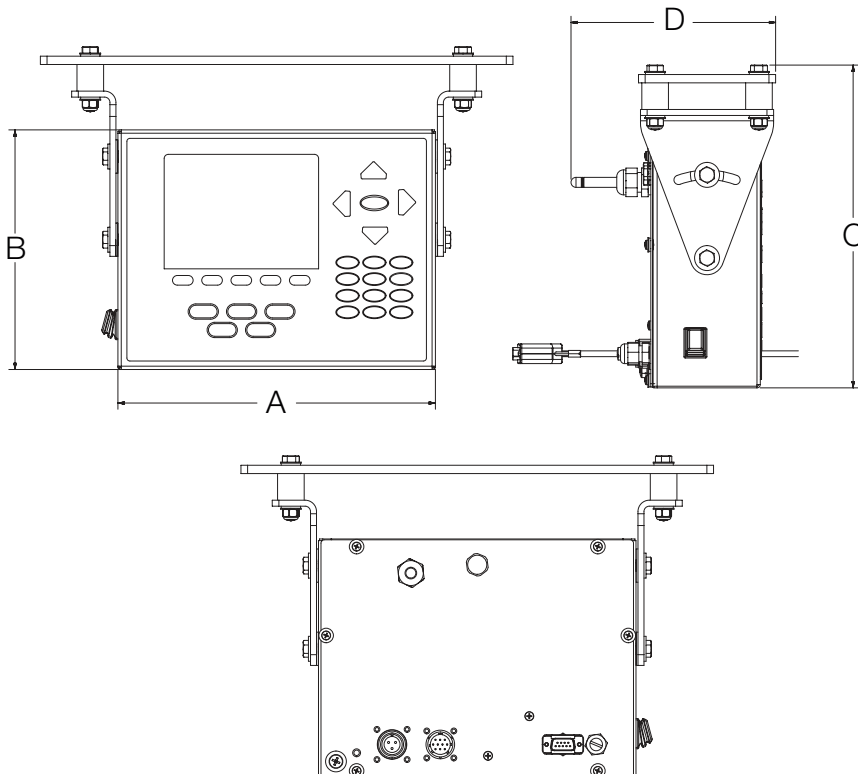
Measurement
Canada
Approved

Part Number/Price

| Part # | Description | Price |
|--------|--|------------|
| 162112 | CLS-920i indicator with mounting brackets, 9 to 36 VDC | \$3,200.00 |

Dimensions

| CLS-920i | |
|----------|------------------|
| A | 9.54 in (242 mm) |
| B | 7.20 in (183 mm) |
| C | 9.71 in (247 mm) |
| D | 5.82 in (148 mm) |



Standard Features

- LCD display
- Standard program
 - Weight indication
 - Configuration
 - Calibration
 - Diagnostics
- Front panel calibration
- On/Off switch to conserve forklift battery life
- Painted mild steel enclosure
- Two-piece top cage indicator mounting assembly with vibration mounts
- Two available RS-232 ports for added options of scanner, Wi-Fi or printer
- 9 to 36 VDC power supply for use on gas powered or electric forklifts

Note: For custom user program, please contact the factory

Specifications

Power:

Line voltage: 9 to 36 VDC, DC input

Power Consumption:

1.5 A max fused at 5.0

Temperature:

Certified: 14 °F to 104 °F (-10 °C to 40 °C)

Operating: 14 °F to 122 °F (-10 °C to 50 °C)

Wireless LAN Option:

Contains FCC ID: R68WIPORATG

Range: Up to 328 ft indoors

Operating frequency: ISM 2.4 GH

Warranty:

Two-year limited

Approvals:

NTEP 06-074, 5,000 lb only, Class III, 1,000d

Measurement Canada AM-5893, Class III



Standard Features

- Virtual front panel consists of display and two or three button keypad
- Printer port configuration, serial or TCP/IP
- Provides CLS configuration screen
- Supports CLS diagnostics
- Weight indication screen
- Weight display
- Zero, print and in-motion clear buttons
- Capacity, resolution, units, motion and center of zero status annunciators
- Unit ID
- Configuration, calibration and diagnostics menus
- VIRTUi³ Mini, minimized weight display screen
- Scale test menu

Specifications

Minimum System Requirements:

Windows[®] 8.1 or greater
 Serial port connection to CLS Series forklift scale
 Additional serial ports are required for connections to printers/remote displays 100 MB space needed
 8 GB or greater RAM

Annunciators:

Units, capacity, resolution, motion, center of zero

Approvals:

NTEP 04-058

Approvals



Part Number/Price

| Part # | Description | Price |
|--------|------------------------------|----------|
| 188745 | VIRTUi ³ software | \$495.00 |



QR Code Application Software

- Windows 10 or greater
- Interfaces to the Virtui³ Server to generate a QR Model 2 Bar Code that is scannable
- Requires installation of Virtui³ (purchased separately)

Part Number/Price

| Part # | Description | Price |
|--------|------------------------------|----------|
| 226345 | QR Code application software | \$395.00 |



Middleware Forklift/Dimensioning Software

- Windows 10 or greater
- Connection between iDimSS and indicators

Part Number/Price

| Part # | Description | Price |
|--------|---|----------|
| 220981 | Middleware forklift/dimensioning software | \$595.00 |

RL-HPJ

Hand Pallet Jack Scale



Standard Features

- Steering wheels and double loading polyurethane rollers
- Four stainless steel IP68 load cells
- Weight indicator in IP65 stainless steel water-resistant enclosure
- Configuration, calibration and diagnostics from keyboard
- Rechargeable battery mounted on the pallet jack
- Zero and tare functions
- Net/Gross and lb/kg conversion
- Accumulation
- Formulation
- ± Checkweighing
- Percentage weighing
- Counting (Max. resolution of 1,500,000 divisions)
- Peak hold
- Includes a 115 VAC 50/60 Hz battery charger

Specifications

Battery Life:

80 hours of continuous use or one month of non-continuous use

Display:

1 in (25 mm) LCD display high contrast digits

Capacity:

Maximum lifting capacity 5,000 lb

Accuracy:

± 0.1% of the maximum capacity

Keys/Buttons:

17 functional keys

Temperature:

Operating:
14 °F to 104 °F (-10 °C to 40 °C)

Material:

Heavy-gauge steel with a durable powder coat finish

Fork Dimensions:

48.75 × 26.75 × 3.125 in
(1240 × 680 × 80 mm)

Weight:

Approx. 360 lb (163 kg)

Warranty:

One-year limited

Part Number/Price

| Part # | Description | Est. Weight | Price |
|--------|---|-------------|------------|
| 183592 | Pallet jack scale, RL-HPJ, 5,000 × 1 lb | 360 lb | \$2,495.00 |
| 220672 | Pallet jack scale, RL-HPJ, 5,000 × 1 lb, with printer | 365 lb | \$2,920.00 |

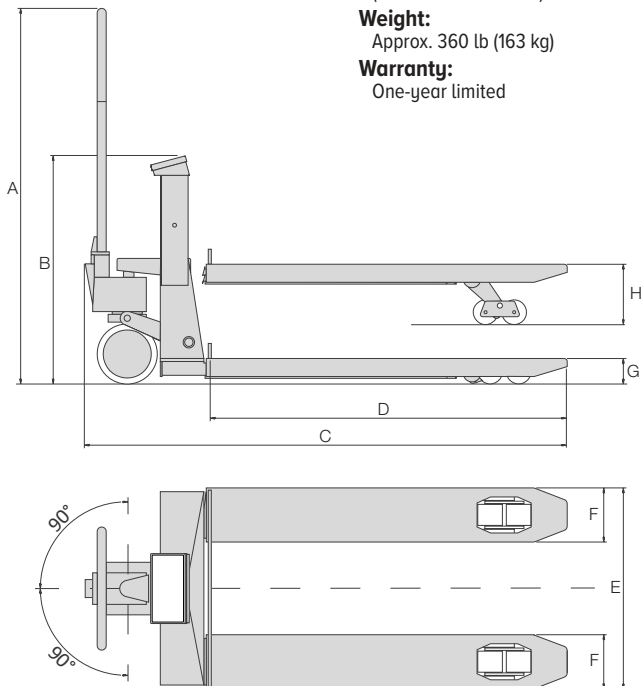
Options/Accessories

| Part # | Description | Price |
|--------|---|----------|
| 215143 | Power supply, 7.2 VDC, 3 A SLA battery charger | \$132.00 |
| 215142 | Battery, rechargeable | \$158.00 |
| 182053 | Printer paper roll, 57 mm × 30 m, 12 mm core 51 mm OD | \$3.00 |

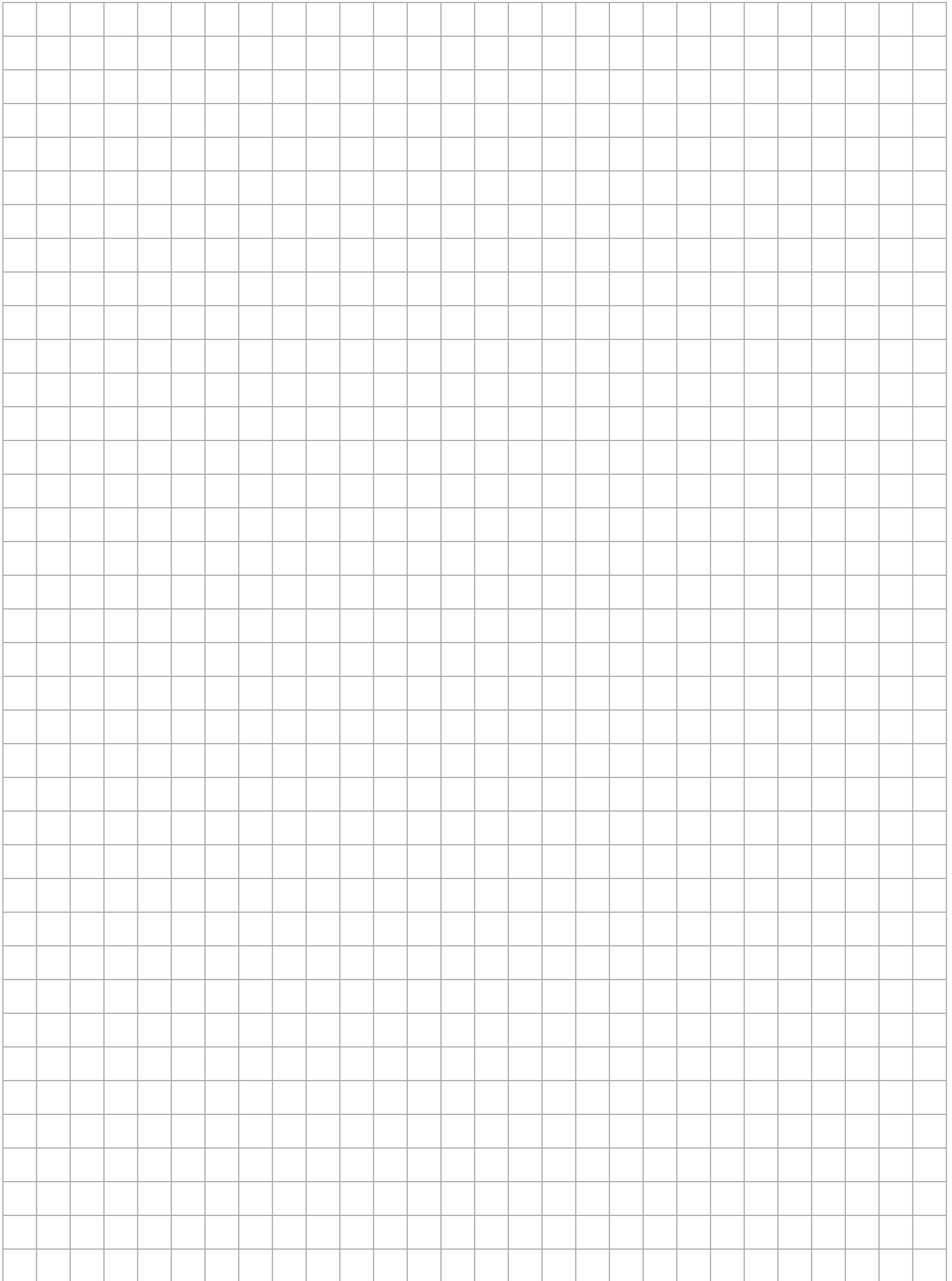
NOTE: See replacement parts page to detail correct part numbers for previous generations

Dimensions

| RL-HPJ | | | |
|--------|---------------------|---|-------------------|
| A | 47.25 in (1,200 mm) | E | 26.75 in (680 mm) |
| B | 30.00 in (762 mm) | F | 7.00 in (178 mm) |
| C | 64.25 in (1,631 mm) | G | 3.125 in (79 mm) |
| D | 45.25 in (1,149 mm) | H | 7.75 in (197 mm) |



FORKLIFT /
PALLET JACK SCALES



**FORKLIFT /
PALLET JACK SCALES**

Hanging Scales

TABLE OF CONTENTS

On-site OS-10/OS-25/OS-45 436
Suspended Scale

Product names, logos, brands and other trademarks featured or referred to within this publication are the property of their respective trademark holders.

On-site OS-10/OS-25/OS-45

Suspended Scale



Standard Features

- Hold function
- Units of measure: lb/lb-oz/kg
- Adjustable automatic shut-off
- Ergonomic handheld design
- Battery operated, two AA batteries (included)
- Carrying case and top s-hook (included)
- Captured lower hook, removable upper hook (both hooks included)

Specifications

Capacity:

OS-10:
 22 lb × 0.02 lb
 22 lb × 0.25 oz
 10 kg × 0.01 kg

OS-25:
 55 lb × 0.05 lb
 55 lb × 0.5 oz
 25 kg × 0.02 kg

OS-45:
 99 lb × 0.1 lb
 99 lb × 1 oz
 45 kg × 0.05 kg

Power:

Two AA batteries (included)

Temperature:

Operating:
 32 °F to 104 °F (0 °C to 40 °C)

Warranty:

One-year limited

Approvals:

CE Approved

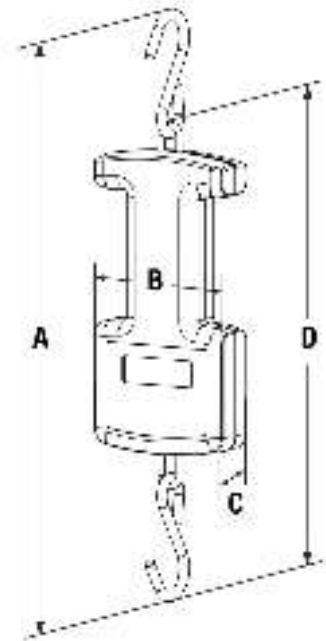
Approvals



Part Number/Price

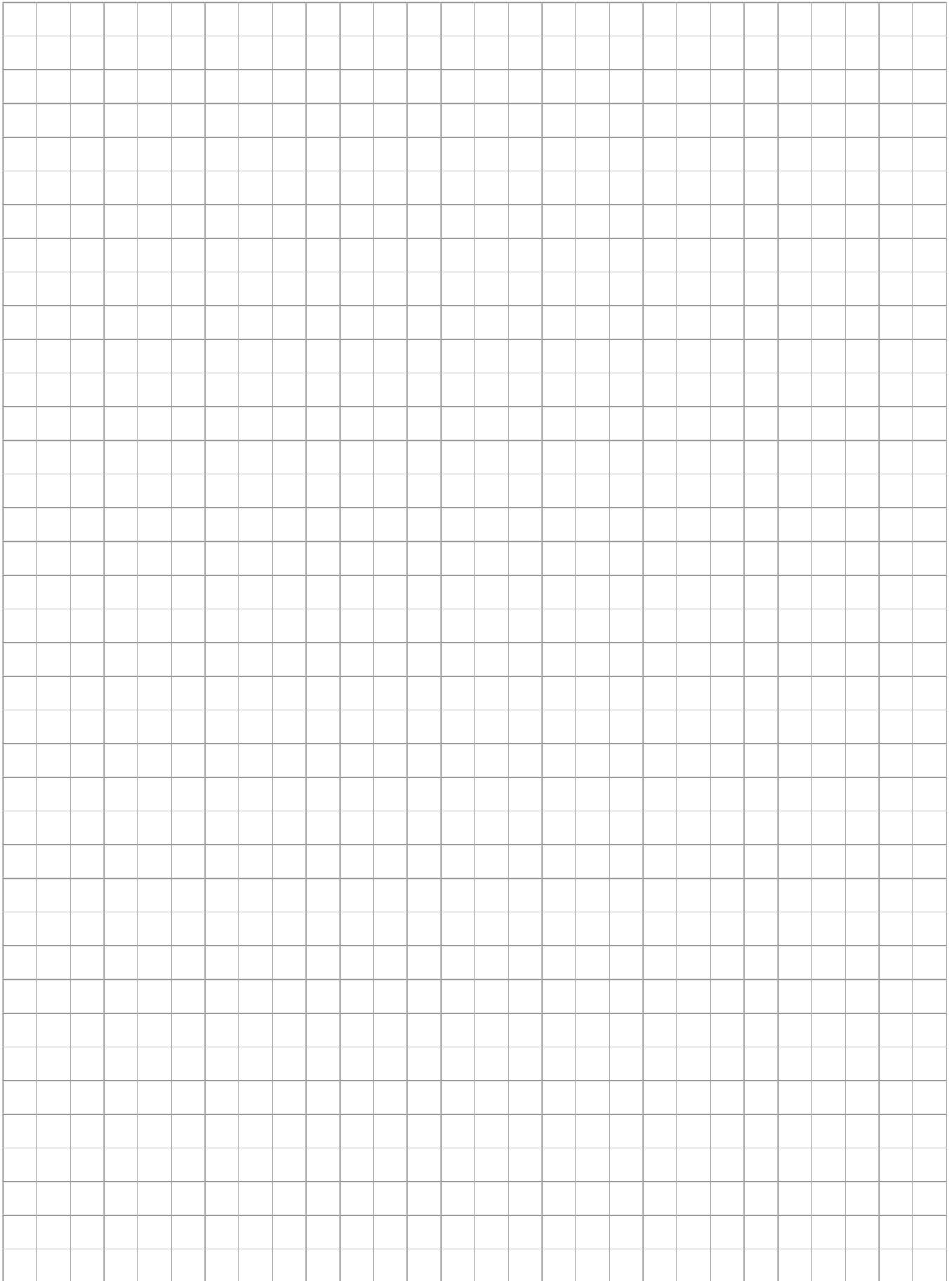
| Part # | Model | Capacity | Est. Weight | Price |
|--------|-------|--|-------------|---------|
| 130292 | OS-10 | 10 × 0.01 kg (22 × 0.02 lb) (22 lb × 1/4 oz) | 1.25 lb | \$95.00 |
| 130293 | OS-25 | 25 × 0.02 kg (55 × 0.05 lb) (55 lb × 1/2 oz) | 1.25 lb | \$95.00 |
| 130294 | OS-45 | 45 × 0.05 kg (99 × 0.1 lb) (99 lb × 1 oz) | 1.25 lb | \$95.00 |

HANGING SCALES



Dimensions

| | Inches | Centimeters |
|---|--------|-------------|
| A | 14.3 | 36.3 |
| B | 3.6 | 9.2 |
| C | 1.3 | 3.2 |
| D | 11.6 | 29.4 |



HANGING SCALES

HANGING SCALES

Hardware and Accessories

TABLE OF CONTENTS

| | | | | | |
|---|-----|---|-----|--|-----|
| Load Cell Mounting Hardware Safety Guidelines | 440 | RoughDeck® Scale Base | 454 | Electronic Scale Tickets..... | 465 |
| Mounting Assembly Component Identification..... | 441 | Summit® 3000 Scale Base..... | 454 | Mechanical Scale Tickets | 466 |
| Jam Nuts | 441 | Floor Scale Base | 454 | <i>Create Your Own Custom Ticket</i> | |
| Eye Nuts..... | 442 | Complete Custom Cable Services | 455 | Printer Dust Covers..... | 466 |
| Clevis Mount Assemblies | 442 | EL147, 6 Wire | 456 | Printer Cables | 467 |
| Coupling Nuts | 442 | <i>Standard Load Cell Cable</i> | | Static Brushes | 468 |
| Load Cell Eye Bolts | 443 | EL147RP Plus, 6 Wire | 456 | Ionizing Strips..... | 468 |
| Rod End Ball Joints..... | 444 | <i>Rodent Protection Load Cell Cable</i> | | Desiccants | 468 |
| Connecting Links..... | 444 | EL147HE, 6 Wire | 457 | Crimper and Lead Seals..... | 468 |
| Load Cell Isolators..... | 445 | <i>Hostile Environment Load Cell Cable</i> | | Ionizing Strip Accessories | 468 |
| Threaded Adapters..... | 445 | EL147IS, 6 Wire..... | 457 | Industrial Corrosion Inhibitor..... | 468 |
| ITCM Hardware Kits..... | 446 | <i>Hazardous Environment Blue Jacket Load Cell Cable</i> | | Static Control Table Mat and Floor Mat | 469 |
| Grounding Strap..... | 447 | EL146, 4 Wire | 458 | Static Control Wrist Strap..... | 469 |
| Ball Bearings..... | 447 | <i>Standard Load Cell Cable</i> | | Static Shielding Bags | 469 |
| Load Receiver Plate..... | 447 | EL146HE, 4 Wire | 458 | Static-Safe Service Kit..... | 469 |
| Load Cups..... | 447 | <i>Hostile Environment Load Cell Cable</i> | | Rice Lake's Scale Technician Kits..... | 470 |
| Wire Rope Assemblies | 448 | Fiber-Optic Cable..... | 459 | | |
| Cardinal® Wire Rope Assemblies | 448 | EL144 Communications Cable | 459 | | |
| Custom Wire Ropes | 448 | BCD Cable | 459 | | |
| Custom Wire Rope Definition Form..... | 449 | SURVIVOR® EL620HE | 460 | | |
| Spherical Washer Sets..... | 450 | <i>High Temperature Cable</i> | | | |
| Load Cell Spacers..... | 450 | EL148HE Mettler Toledo® | 460 | | |
| Load Button..... | 450 | <i>Replacement Power Cell Cable</i> | | | |
| Weldless End Links | 450 | SURVIVOR® Cable Armor..... | 460 | | |
| Load Button Insert Kit | 451 | Mettler Toledo® Power Cell® | 460 | | |
| Flintec® Adjustable Rubber Foot | 451 | <i>Homerun Cable</i> | | | |
| Bench Scale Feet | 451 | Cord Grip Assemblies | 461 | | |
| Surefoot™ | 451 | EL214 Cable Splicing Kit..... | 461 | | |
| Polyurethane Rubber Leveling Feet..... | 452 | Load Cell Conduit Adapters | 461 | | |
| Captured Ball Floor Scale Leveling Feet..... | 452 | EL214T Cable Splicing Kit | 462 | | |
| Leveling Mount..... | 453 | EL215 Cable Splicing Kit..... | 462 | | |
| Leveling Pads..... | 453 | Flintec® Load Cell Cable | 462 | | |
| Leveling Pad Stems | 453 | <i>Replacement Kits</i> | | | |
| | | Five-Position Connectors, Shell Plugs, Receptacles | 463 | | |
| | | Seven-Position Connectors, Shell Plugs, Receptacles | 463 | | |
| | | Six-Position Connectors, Shell Plugs, Receptacles | 463 | | |
| | | T-Grip Molding | 464 | | |
| | | T-Strip Molding | 464 | | |

The following product names, logos, brands and other trademarks featured or referred to within this publication are the property of their respective trademark holders.

Load Cell Mounting Hardware Safety Guidelines

Install only load cell mounting hardware and assemblies that have been specifically designed for use in tank, hopper or hanging scale applications. Often, the use of an inferior-grade product results in component failure which risks equipment damage and personal injury. These simple suggestions are provided to help minimize your exposure to vessel scale installation hazards.

1. Estimating Gross Load

To select the correct load cell or load cell hardware for a given application, it is necessary to know the total weight on the scale—including net weight of product, tare weight of the vessel and weight of the platform, tank or hopper, as appropriate.

2. Safe Load

Do not exceed safe load figures listed in Rice Lake Weighing Systems' catalog for any load cell hardware. Where shock loads are present, it may be necessary to derate these safe load figures depending on severity of the shock load.

3. Load Distribution

In multiple-load-cell applications, weight must be evenly distributed between all cells.

4. Threaded Connections

Check that all threaded connections are engaged. For example, an eye bolt screwed into an s-type load cell should protrude slightly on the opposite side.

5. Jam Nuts

All threaded connections must be locked with jam nuts to prevent inadvertent disassembly. If a load is suspended from a single load cell, it is critical that the load cannot rotate as this may loosen the jam nut.

6. Wire Rope Assemblies

With wire rope assemblies, do not twist the rope during assembly or disassembly. For example, do not remove a frozen nut from one end of a rope assembly by holding the opposite end.

7. Attachment Points of a Load Cell

The attachment points of a load cell hardware assembly must be aligned properly and the assembly should be essentially vertical.

8. Swaying in a Suspended Vessel Scale

If there is excessive swaying in a suspended vessel scale, apply horizontal checking to reduce amplitude.

9. Safety Backup

If failure of one or more load cell hardware assemblies could cause injury or damage, a safety backup (safety chains, safety rods, etc.) must be used. The assemblies should be inspected routinely for damage, excessive wear or corrosion and replaced if necessary.

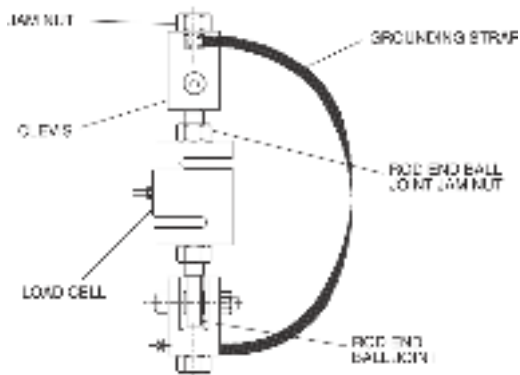
10. Hopper Scales: Guarding Against Contamination

With hopper scales, guard against contamination of the product being weighed in case of failure of the load cell or hardware assembly. For example, do not locate a wire rope assembly over a hopper scale where broken strands of wire could fall into the weighing vessel, contaminating the product being weighed.

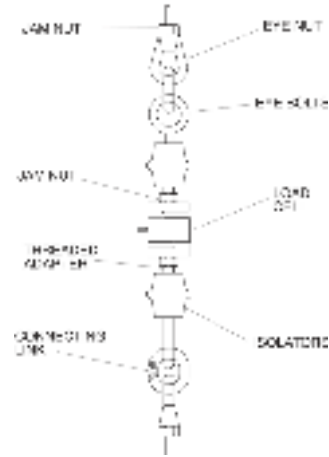
11. Selecting Steel Rod or Any Other Weight-bearing Components

Select steel rod or any other weight-bearing components so the minimum tensile strength is at least four times the total weight carried by that component. Note that threaded rod is generally made from a low tensile-strength mild steel which should be checked for tensile strength before use in any suspended vessel scale.

Mounting Assembly Component Identification



ITCM Isolated Tension Cell Mounting Assembly



Conventional Tension Mounting Assembly

Our popular Isolated Tension Cell Mounting (ITCM) assembly and other conventional suspended weighing system assemblies employ a variety of serviceable hardware components. Rice Lake Weighing Systems offers a comprehensive selection of these items for all of your suspended vessel service needs. These drawings are designed to enable you to quickly identify and differentiate components from both of these common designs. All corresponding replacement hardware is located on the following pages.

Jam Nuts



Standard Features

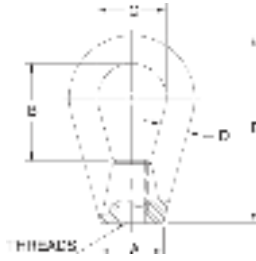
- Coarse or fine thread
- Zinc-plated mild steel or stainless steel

HARDWARE AND ACCESSORIES

| Thread Size | Part # | Price |
|----------------------------------|--------|--------|
| Mild Steel, Fine Thread | | |
| 1/4-28 UNF | 14639 | \$1.00 |
| 3/8-24 UNF | 14651 | \$1.00 |
| 1/2-20 UNF | 14664 | \$1.60 |
| 3/4-16 UNF | 14687 | \$1.60 |
| 1-12 UNF | 14702 | \$5.99 |
| 1-14 UNF | 14703 | \$4.90 |
| 1 1/4-12 UNF | 14708 | \$3.60 |
| 1 1/2-12 UNF | 14711 | \$4.90 |
| Mild Steel, Coarse Thread | | |
| 1/4-20 UNC | 14636 | \$1.00 |
| 3/8-16 UNC | 14649 | \$2.25 |
| 1/2-13 UNC | 14661 | \$1.00 |
| 5/8-11 UNC | 14676 | \$2.50 |
| 3/4-10 UNC | 14686 | \$1.06 |
| 1-8 UNC | 14701 | \$1.20 |
| 1-1/4-7 UNC | 14707 | \$3.30 |

| Thread Size | Part # | Price |
|---------------------------------------|--------|--------|
| Stainless Steel, Fine Thread | | |
| 1/4-28 UNF | 14640 | \$1.30 |
| 1/2-20 UNF | 14665 | \$1.80 |
| 3/4-16 UNF | 14688 | \$2.30 |
| Stainless Steel, Coarse Thread | | |
| 3/8-16 UNC | 14653 | \$2.10 |
| 1/2-13 UNC | 14662 | \$1.85 |
| 5/8-11 UNC | 14680 | \$2.10 |
| 3/4-10 UNC | 14690 | \$2.25 |

Eye Nuts



Standard Features

- Drop-forged steel, tapped NC right-hand threads

Part Number/Price

| Part # | A | B | C | D | E | Thread Size | Safe Load* | Price |
|--------|---------|---------|---------|---------|---------|-------------|------------|---------|
| 17772 | 0.50 in | 1.06 in | 0.75 in | 0.25 in | 1.68 in | 1/4-20 UNC | 500 lb | \$48.00 |
| 17773 | 0.75 in | 1.18 in | 0.87 in | 0.31 in | 2.25 in | 3/8-16 UNC | 1,800 lb | \$32.00 |
| 17774 | 1.00 in | 1.56 in | 1.12 in | 0.43 in | 3.00 in | 1/2-13 UNC | 3,600 lb | \$48.00 |
| 17775 | 1.25 in | 1.93 in | 1.37 in | 0.56 in | 3.75 in | 5/8-11 UNC | 5,800 lb | \$53.00 |

*Do not exceed the safe load

Coupling Nuts



Standard Features

- Heavy hex

Part Number/Price

| Part # | Thread Size | Length | Flat | Safe Load* | Price |
|--------|-------------|---------|---------|------------|---------|
| 14638 | 1/4-20 UNC | 1.75 in | 0.44 in | 500 lb | \$7.50 |
| 14650 | 3/8-16 UNC | 1.75 in | 0.62 in | 1,500 lb | \$7.40 |
| 14663 | 1/2-13 UNC | 1.75 in | 0.87 in | 3,000 lb | \$7.40 |
| 14681 | 5/8-11 UNC | 2.12 in | 1.06 in | 7,500 lb | \$10.50 |
| 14691 | 3/4-10 UNC | 2.25 in | 1.25 in | 10,000 lb | \$11.50 |

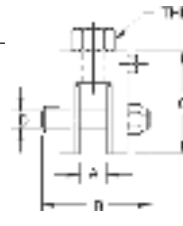
*Do not exceed the safe load

Clevis Mount Assemblies

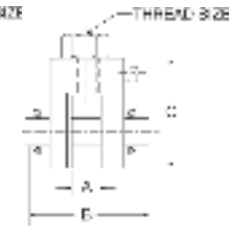


Standard Features

- Mild steel or stainless steel
- Assembly used in the ITCM
- Adapts rod to rod-end ball joint
- Provides electrical isolation for load cell protection
- Elimination of unwanted side loads



Clevis Mount with bolt



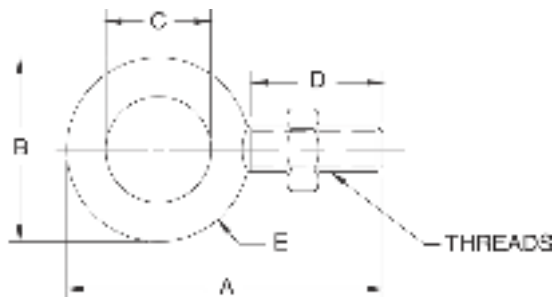
Clevis Mount with pin

Part Number/Price

| Part # | A | B | C | D | Thread Size | Safe Load* | Price |
|---------------------------------|---------|---------|---------|---------|-------------|------------|----------|
| Mild Steel with Bolt | | | | | | | |
| 17792 | 0.52 in | 2.38 in | 1.94 in | 0.38 in | 3/8-16 UNC | 300 lb | \$87.00 |
| 17793 | 0.52 in | 2.38 in | 1.94 in | 0.38 in | 1/2-13 UNC | 300 lb | \$87.00 |
| 17783 | 0.39 in | 1.81 in | 1.69 in | 0.25 in | 1/2-13 UNC | 500 lb | \$99.00 |
| 17784 | 0.65 in | 2.68 in | 2.31 in | 0.50 in | 3/4-10 UNC | 4,000 lb | \$99.00 |
| 17785 | 0.78 in | 3.37 in | 3.00 in | 0.62 in | 1-8 UNC | 10,000 lb | \$99.00 |
| 17786 | 0.39 in | 1.81 in | 1.69 in | 0.25 in | 3/8-16 UNC | 500 lb | \$94.00 |
| 17787 | 0.65 in | 2.68 in | 2.31 in | 0.50 in | 1/2-13 UNC | 2,000 lb | \$99.00 |
| 17788 | 0.65 in | 2.68 in | 2.31 in | 0.50 in | 5/8-11 UNC | 2,500 lb | \$99.00 |
| 17789 | 0.78 in | 3.37 in | 3.00 in | 0.62 in | 3/4-10 UNC | 5,000 lb | \$99.00 |
| Mild Steel with Pin | | | | | | | |
| 17790 | 1.39 in | 4.12 in | 4.50 in | 1.00 in | 1 1/4-7 UNC | 15,000 lb | \$367.00 |
| 17791 | 1.22 in | 4.12 in | 5.00 in | 1.25 in | 1 1/2-6 UNC | 20,000 lb | \$367.00 |
| Stainless Steel with Pin | | | | | | | |
| 33644 | 0.52 in | 2.38 in | 1.94 in | 0.38 in | 1/2-13 UNC | 300 lb | \$192.00 |
| 33643 | 0.39 in | 1.81 in | 1.69 in | 0.25 in | 1/2-13 UNC | 500 lb | \$192.00 |
| 33641 | 0.39 in | 1.81 in | 1.69 in | 0.25 in | 3/8-16 UNC | 500 lb | \$192.00 |
| 33658 | 0.52 in | 2.38 in | 1.94 in | 0.38 in | 3/8-16 UNC | 500 lb | \$192.00 |
| 33642 | 0.65 in | 2.68 in | 2.31 in | 0.50 in | 3/4-10 UNC | 4,000 lb | \$250.00 |
| 33640 | 0.65 in | 2.68 in | 2.31 in | 0.50 in | 1/2-13 UNC | 2,000 lb | \$250.00 |
| 33639 | 0.65 in | 2.68 in | 2.31 in | 0.50 in | 5/8-11 UNC | 2,500 lb | \$250.00 |
| 33638 | 0.78 in | 3.37 in | 3.00 in | 0.62 in | 3/4-10 UNC | 5,000 lb | \$250.00 |

*Do not exceed the safe load

Load Cell Eye Bolts



Standard Features

- Mild steel
- One jam nut included with each eye bolt

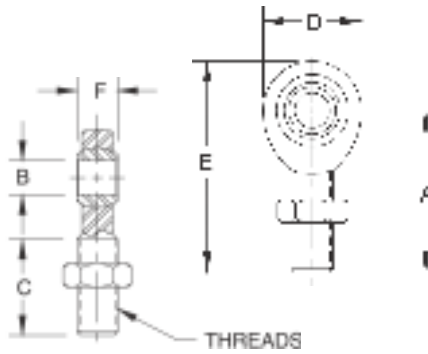
Part Number/Price

| Part # | A | B | C | D | E | Thread Size | Safe Load* | Price |
|-------------------|---------|---------|---------|---------|---------|-------------|------------|----------|
| Mild Steel | | | | | | | | |
| 17705 | 2.25 in | 1.25 in | 0.75 in | 1.00 in | 0.25 in | 1/4-28 UNF | 500 lb | \$26.50 |
| 17707 | 2.91 in | 1.66 in | 1.00 in | 1.25 in | 0.33 in | 3/8-24 UNF | 1,300 lb | \$26.50 |
| 17709 | 3.56 in | 2.06 in | 1.19 in | 1.50 in | 0.44 in | 1/2-20 UNF | 2,400 lb | \$28.50 |
| 17711 | 4.25 in | 2.50 in | 1.37 in | 1.75 in | 0.56 in | 5/8-18 UNF | 4,000 lb | \$34.00 |
| 17713 | 4.81 in | 2.81 in | 1.50 in | 2.00 in | 0.66 in | 3/4-16 UNF | 5,000 lb | \$74.00 |
| 17715 | 6.06 in | 3.56 in | 1.81 in | 2.50 in | 0.87 in | 1-12 UNF | 9,000 lb | \$117.00 |
| 17716 | 6.06 in | 3.56 in | 1.81 in | 2.50 in | 0.87 in | 1-14 UNS | 9,000 lb | \$117.00 |
| 17704 | 2.25 in | 1.25 in | 0.75 in | 1.00 in | 0.25 in | 1/4-20 UNC | 500 lb | \$23.00 |
| 17706 | 2.91 in | 1.66 in | 1.00 in | 1.25 in | 0.33 in | 3/8-16 UNC | 1,300 lb | \$25.00 |
| 17708 | 3.56 in | 2.06 in | 1.19 in | 1.50 in | 0.44 in | 1/2-13 UNC | 2,400 lb | \$25.00 |
| 17710 | 4.25 in | 2.50 in | 1.37 in | 1.75 in | 0.56 in | 5/8-11 UNC | 4,000 lb | \$38.00 |
| 17712 | 4.81 in | 2.81 in | 1.50 in | 2.00 in | 0.66 in | 3/4-10 UNC | 5,000 lb | \$58.00 |
| 17714 | 6.06 in | 3.56 in | 1.81 in | 2.50 in | 0.87 in | 1-8 UNC | 9,000 lb | \$59.00 |
| 17717 | 7.44 in | 4.44 in | 2.19 in | 3.00 in | 1.12 in | 1 1/4-7 UNC | 15,000 lb | \$169.00 |

*Do not exceed the safe load

HARDWARE AND
ACCESSORIES

Rod End Ball Joints



Standard Features

- Mild steel or stainless steel
- Used in the ITCM assembly
- One jam nut included with each rod end ball joint

Part Number/Price

| Part # | Safe Load* | Breaking Strength | PTFE Lined | Price |
|------------------------|------------|-------------------|------------|----------|
| Mild Steel | | | | |
| 17746 | 975 lb | 3,915 lb | YES | \$34.00 |
| 17734 | 1,200 lb | 4,916 lb | NO | \$24.00 |
| 17736 | 4,000 lb | 16,238 lb | NO | \$60.00 |
| 17738 | 7,000 lb | 28,081 lb | NO | \$103.00 |
| 17735 | 2,000 lb | 8,075 lb | NO | \$29.00 |
| 17737 | 3,250 lb | 13,831 lb | NO | \$42.00 |
| 17739 | 500 lb | 2,158 lb | YES | \$34.00 |
| 17740 | 4,000 lb | 16,238 lb | YES | \$55.00 |
| 17741 | 10,000 lb | 40,572 lb | YES | \$82.00 |
| 17742 | 10,500 lb | 43,541 lb | NO | \$154.00 |
| 26007 | 15,000 lb | 76,200 lb | YES | \$318.00 |
| 17747 | 19,000 lb | 76,200 lb | YES | \$366.00 |
| 17743 | 20,000 lb | 79,728 lb | NO | \$276.00 |
| 17744 | 24,000 lb | 96,510 lb | NO | \$382.00 |
| Stainless Steel | | | | |
| 33505 | 500 lb | 2,158 lb | YES | \$148.00 |
| 33506 | 1,500 lb | 7,362 lb | YES | \$148.00 |
| 33507 | 3,000 lb | 16,238 lb | YES | \$159.00 |
| 33508 | 7,000 lb | 40,572 lb | YES | \$366.00 |

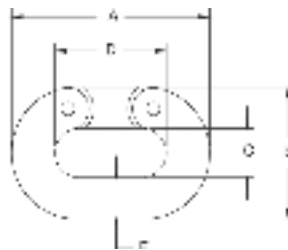
*Do not exceed the safe load

Dimensions

| Part # | A | B | C | D | E | F | Thread Size |
|------------------------|---------|---------|---------|---------|---------|---------|--------------|
| Mild Steel | | | | | | | |
| 17746 | 1.94 in | 0.37 in | 1.25 in | 1.00 in | 2.43 in | 0.50 in | 3/8-24 UNF |
| 17734 | 1.94 in | 0.37 in | 1.25 in | 1.00 in | 2.43 in | 0.50 in | 3/8-24 UNF |
| 17736 | 2.44 in | 0.50 in | 1.50 in | 1.31 in | 3.09 in | 0.62 in | 1/2-20 UNF |
| 17738 | 2.87 in | 0.75 in | 1.75 in | 1.75 in | 3.75 in | 0.87 in | 3/4-16 UNF |
| 17735 | 2.44 in | 0.50 in | 1.50 in | 1.31 in | 3.09 in | 0.62 in | 1/2-20 UNF |
| 17737 | 2.87 in | 0.75 in | 1.75 in | 1.75 in | 3.75 in | 0.87 in | 3/4-16 UNF |
| 17739 | 1.56 in | 0.25 in | 1.00 in | 0.75 in | 1.93 in | 0.37 in | 1/4-28 UNF |
| 17740 | 2.44 in | 0.50 in | 1.50 in | 1.31 in | 3.09 in | 0.62 in | 1/2-20 UNF |
| 17741 | 2.87 in | 0.62 in | 1.75 in | 1.75 in | 3.75 in | 0.75 in | 3/4-16 UNF |
| 17742 | 4.12 in | 1.00 in | 2.12 in | 2.75 in | 5.50 in | 1.37 in | 1-12 UNF |
| 26007 | 4.12 in | 1.00 in | 2.12 in | 2.75 in | 5.50 in | 1.37 in | 1-14 UNS |
| 17747 | 4.12 in | 1.00 in | 2.12 in | 2.75 in | 5.50 in | 1.37 in | 1-12 UNF |
| 17743 | 4.12 in | 1.25 in | 2.12 in | 2.75 in | 5.50 in | 1.09 in | 1 1/4-12 UNF |
| 17744 | 5.37 in | 1.50 in | 3.00 in | 3.50 in | 7.12 in | 1.31 in | 1 1/2-12 UNF |
| Stainless Steel | | | | | | | |
| 33506 | 1.94 in | 0.37 in | 1.25 in | 1.00 in | 2.43 in | 0.50 in | 3/8-24 UNF |
| 33505 | 1.56 in | 0.25 in | 1.00 in | 0.75 in | 1.93 in | 0.37 in | 1/4-28 UNF |
| 33507 | 2.44 in | 0.50 in | 1.50 in | 1.31 in | 3.09 in | 0.62 in | 1/2-20 UNF |
| 33508 | 2.87 in | 0.62 in | 1.75 in | 1.75 in | 3.75 in | 0.75 in | 3/4-16 UNF |

HARDWARE AND ACCESSORIES

Connecting Links



Standard Features

- Drop-forged carbon steel, heat-treated, hot-dipped galvanized finish

Part Number/Price

| Part # | A | B | C | D | E | Safe Load* | Price |
|--------|---------|---------|---------|---------|---------|------------|----------|
| 17794 | 1.50 in | 1.00 in | 0.43 in | 0.87 in | 0.25 in | 1,325 lb | \$42.00 |
| 17795 | 2.06 in | 1.37 in | 0.56 in | 1.12 in | 0.37 in | 2,750 lb | \$45.00 |
| 17796 | 2.65 in | 1.71 in | 0.65 in | 1.46 in | 0.50 in | 4,750 lb | \$45.00 |
| 17797 | 3.31 in | 2.09 in | 0.78 in | 1.81 in | 0.62 in | 7,250 lb | \$55.00 |
| 17798 | 3.87 in | 2.50 in | 0.93 in | 2.12 in | 0.75 in | 10,250 lb | \$74.00 |
| 17799 | 5.00 in | 3.31 in | 1.25 in | 2.75 in | 1.00 in | 15,500 lb | \$127.00 |

*Do not exceed the safe load

Load Cell Isolators



Power surges such as those caused by welding or electrical shorts frequently damage load cells and indicators. To prevent such damage, these isolators electrically separate the mechanical assembly from its tension-type load cell.

Part Number/Price

| Part # | Height Thread Size | Diameter | Safe Load* | Price |
|--------|-------------------------|----------|------------|----------|
| 17722 | 3/8-16 UNC | 2.50 in | 600 lb | \$48.00 |
| 17724 | 1/2-13 UNC | 2.50 in | 600 lb | \$53.00 |
| 17726 | 1/2-20 UNF | 2.50 in | 600 lb | \$90.00 |
| 17725 | 1/2-13 UNC | 2.00 in | 3,000 lb | \$127.00 |
| 17723 | 3/8-24 UNF | 2.50 in | 600 lb | \$95.00 |
| 17728 | 1/2-13 UNC × 1/2-20 UNF | 2.50 in | 600 lb | \$69.00 |
| 17732 | 1/4-20 UNC | 1.12 in | 250 lb | \$53.00 |

*Do not exceed the safe load

Threaded Adapters



Standard Features

- For coupling isolators with load cells and steelyard rods
- Supplied with jam nuts
- Stainless steel

HARDWARE AND
ACCESSORIES

Part Number/Price

| Part # | A | B | C | D | E | Safe Load* | Price |
|--------|---------|---------|---------|------------|------------|------------|---------|
| 33561 | - | - | 2.00 in | 1/4-28 UNF | 1/4-28 UNF | 300 lb | \$29.00 |
| 33562 | 0.94 in | 0.94 in | 2.00 in | 1/4-28 UNF | 1/4-20 UNC | 300 lb | \$32.00 |
| 33563 | 0.92 in | 1.02 in | 2.06 in | 1/4-28 UNF | 3/8-24 UNF | 300 lb | \$37.00 |
| 33564 | 0.94 in | 0.94 in | 2.00 in | 1/4-28 UNF | 3/8-16 UNC | 300 lb | \$29.00 |
| 33565 | 1.06 in | 1.06 in | 2.25 in | 1/4-20 UNC | 3/8-16 UNC | 300 lb | \$32.00 |
| 33567 | 1.06 in | 1.06 in | 2.25 in | 1/4-28 UNF | 1/2-13 UNC | 300 lb | \$32.00 |
| 33568 | - | - | 2.00 in | 3/8-24 UNF | 3/8-24 UNF | 500 lb | \$42.00 |
| 33569 | 0.91 in | 0.91 in | 2.00 in | 3/8-16 UNC | 3/8-24 UNF | 500 lb | \$36.00 |
| 33570 | 1.06 in | 1.06 in | 2.25 in | 3/8-24 UNF | 1/2-13 UNC | 500 lb | \$32.00 |
| 33571 | 1.31 in | 1.31 in | 2.75 in | 1/2-13 UNC | 5/8-11 UNC | 3,000 lb | \$32.00 |
| 33572 | 0.87 in | 0.87 in | 2.00 in | 1/2-13 UNC | 1/2-20 UNF | 3,000 lb | \$36.00 |
| 33573 | - | - | 2.06 in | 1/2-20 UNF | 1/2-20 UNF | 3,000 lb | \$36.00 |
| 33574 | 1.31 in | 1.31 in | 2.75 in | 1/2-20 UNF | 5/8-11 UNC | 3,000 lb | \$38.00 |
| 33575 | 1.31 in | 1.31 in | 3.00 in | 3/4-16 UNF | 3/4-10 UNC | 7,000 lb | \$40.00 |

*Do not exceed the safe load

ITCM Hardware Kits



Mount only - does not include load cell

The Isolated Tension Cell Mount (ITCM) is a mounting assembly designed for tension mounting S-beam load cells in suspended hopper assemblies and mechanical scale conversions. The ITCM incorporates clevis and unique rod end ball joint assemblies, reducing the overall length to less than half of traditional tension cell mounts, while providing correct load alignment. In addition, the load cell is completely electrically isolated from stray currents, a major cause of load cell failure. To complete the design, a grounding strap connects the two clevis assemblies to further ensure load cell safety.

Standard Features

- Provides greater safety than traditional suspension configurations
- Complete package for ease of installation
- Built-in electrical isolation without having to use isolators (not available on 20,000 lb version)
- Provides correct load cell loading even in difficult installations
- Dramatically reduces overall length
- Capacities from 300 to 20,000 lb
- Clevis mounts with nylon insulating washers
- PTFE-lined rod end ball joints (not available on 20,000 lb version)
- Completely isolates load cell from stray currents
- Grounding strap for electrical continuity
- Zinc plated clevis
- Mount only: does not include load cell

Applications

- Suspended hoppers
- Mechanical scale conversions
- Replaces traditional eye bolt, isolator configurations

Part Number/Price

| Part # | Load Rating | Clevis Thread | Rod End Thread | Safe Load* | Price |
|------------------------|----------------------|---------------|----------------|------------|------------|
| Mild Steel | | | | | |
| 17968 | 300 lb | 3/8-16 | 3/8-24 | 300 lb | \$236.00 |
| 17969 | 300 lb | 1/2-13 | 3/8-24 | 300 lb | \$236.00 |
| 17894 | 500 lb | 3/8-16 | 1/4-28 | 500 lb | \$236.00 |
| 17895 | 500 lb | 1/2-13 | 1/4-28 | 500 lb | \$236.00 |
| 17896 | 2,000 lb | 1/2-13 | 1/2-20 | 2,000 lb | \$285.00 |
| 17897 | 2,500 lb | 5/8-11 | 1/2-20 | 2,500 lb | \$285.00 |
| 17898 | 4,000 lb | 3/4-10 | 1/2-20 | 4,000 lb | \$285.00 |
| 17899 | 5,000 lb | 3/4-10 | 3/4-16 | 5,000 lb | \$325.00 |
| 17900 | 10,000 lb | 1-8 | 3/4-16 | 10,000 lb | \$325.00 |
| 17958 | 15,000 lb (RL20000I) | 1 1/4-7 | 1-12 | 15,000 lb | \$1,284.00 |
| 63166 | 15,000 lb (RL20001) | 1 1/4-7 | 1-14 | 15,000 lb | \$1,229.00 |
| 17959 | 20,000 lb** | 1 1/2-6 | 1 1/4-12 | 20,000 lb | \$1,134.00 |
| Stainless Steel | | | | | |
| 33630 | 500 lb | 3/8-16 | 3/8-24 | 500 lb | \$643.00 |
| 33631 | 300 lb | 1/2-13 | 3/8-24 | 300 lb | \$643.00 |
| 33632 | 500 lb | 3/8-16 | 1/4-28 | 500 lb | \$643.00 |
| 33633 | 500 lb | 1/2-13 | 1/4-28 | 500 lb | \$643.00 |
| 33634 | 2,000 lb | 1/2-13 | 1/2-20 | 2,000 lb | \$774.00 |
| 33635 | 2,500 lb | 5/8-11 | 1/2-20 | 2,500 lb | \$774.00 |
| 33636 | 3,000 lb | 3/4-10 | 1/2-20 | 3,000 lb | \$774.00 |
| 33637 | 5,000 lb | 3/4-10 | 3/4-16 | 5,000 lb | \$1,124.00 |

* Do not exceed the safe load **Not electrically isolated

Note: Replacement parts for mounts can be found in the Replacement Parts Catalog.

Grounding Strap



Standard Features

- Used in the ITCM assembly
- Tinned copper braid
- Crimped sleeve on ends with 0.25 in hole
- Available in 12 in, 14 in, 16 in, 24 in or 32 in lengths

Part Number/Price

| Part # | Length | Price |
|--------|--------|---------|
| 17778 | 12 in | \$22.00 |
| 17779 | 14 in | \$22.00 |
| 17780 | 16 in | \$22.00 |
| 17781 | 24 in | \$22.00 |
| 17782 | 32 in | \$30.00 |

Ball Bearings



Standard Features

- Use with load cup and load receiver to build a custom scale
- 52100 chrome alloy steel

Part Number/Price

| Part # | Drawing Dimensions | Price |
|--------|--|---------|
| 18815 | 5/8 in diameter crush strength 32,000 lb | \$16.00 |
| 18816 | 7/8 in diameter crush strength 59,000 lb | \$18.00 |
| 65841 | 1.25 in diameter crush strength 100,000 lb | \$37.00 |

Load Receiver Plate

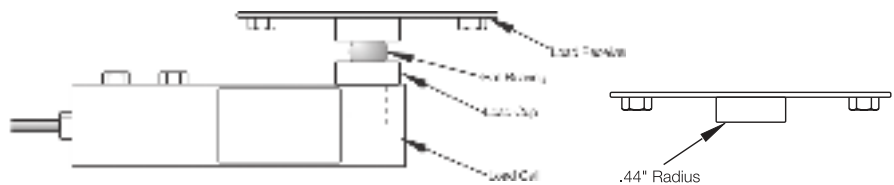
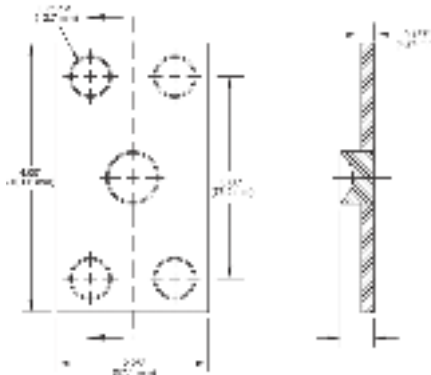


Standard Features

- Design offers accurate point loading
- Self-centering effect built in
- Use with load cup and ball bearings to build a custom scale
- Ball and cup load introduction provides point loading for maximum accuracy
- Stainless steel construction

Part Number/Price

| Part # | Description | Price |
|--------|---------------------|---------|
| 18832 | Load receiver plate | \$58.00 |



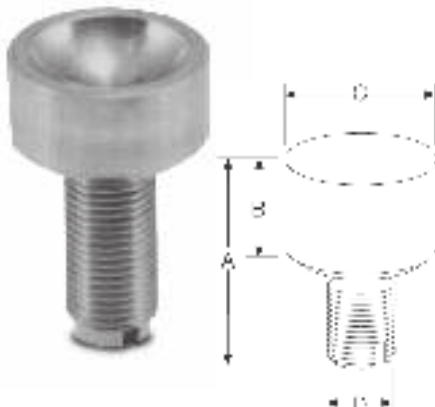
HARDWARE AND ACCESSORIES

Load Cups

Standard Features

- Ball and cup load introduction provides point loading for maximum accuracy
- For use with most popular single-ended beam load cells
- Constructed of 440C stainless steel

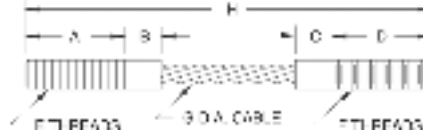
Part Number/Price



| Part # | A | B | C | D | Price |
|--------|--|---------|---------|------------|----------|
| 31911 | 1.70 in | 0.54 in | 1.07 in | 1/2-20 UNF | \$58.00 |
| 212364 | 1.70 in | 0.54 in | 1.07 in | M8 | \$70.00 |
| 33654 | 1.12 in | 0.54 in | 0.78 in | 1/2-20 UNF | \$47.00 |
| 33653 | 1.50 in | 0.80 in | 1.12 in | 3/4-16 UNF | \$48.00 |
| 33652 | 2.00 in | 0.85 in | 1.75 in | 1-12 UNF | \$114.00 |
| 33651 | 2.85 in | 0.85 in | 1.75 in | 1-12 UNF | \$160.00 |
| 33650 | 2.85 in | 0.85 in | 1.75 in | 1-14 UNF | \$160.00 |
| 33647 | 2.75 in | 0.50 in | 0.75 in | 1/2-20 UNF | \$57.00 |
| 72364 | 1.78 in | 0.53 in | 0.78 in | 1/2-20 UNF | \$69.00 |
| 69431 | Replacement cup for Cardinal® SCA-50,000 load cell | | | | \$143.00 |

Wire Rope Assemblies

Note: Wire ropes should not be exposed to shock loads, chemicals or twisting. Chains or rods should be used as a safety backup in case of catastrophic failure.



Wire Rope Assemblies

- Wire rope assemblies provide better alignment and greatly increase load cell repeatability. In addition, they act as natural vibration dampeners.

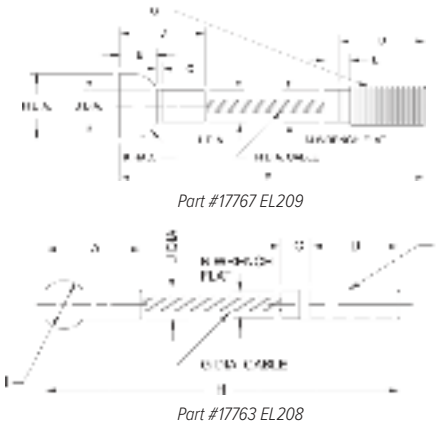
Part Number/Price

| Part # | A | B & C | D | E | F | G | H | Safe Load* | Price |
|-----------|---------|---------|---------|---------------|---------------|----------|---------|------------|----------|
| 17760 | 0.87 in | 0.50 in | 0.87 in | 1/4-20 UNC-2A | 1/4-28 UNF-2A | 0.12 in | 4.00 in | 400 lb | \$58.00 |
| 17762 | 1.25 in | 0.50 in | 1.25 in | 3/8-16 UNC-2A | 3/8-24 UNF-2A | 0.18 in | 5.00 in | 850 lb | \$64.00 |
| 17766 | 1.62 in | 0.50 in | 1.62 in | 1/2-13 UNC-2A | 1/2-20 UNF-2A | 0.25 in | 6.50 in | 1,400 lb | \$66.00 |
| 17765 | 1.62 in | 0.50 in | 1.62 in | 1/2-13 UNC-2A | 1/2-20 UNF-2A | 0.25 in | 5.50 in | 1,400 lb | \$79.00 |
| 17764 | 1.00 in | - | 1.37 in | 1/2-20 UNF-2A | 1/2-20 UNF-2A | 0.25 in | 4.00 in | 1,400 lb | \$95.00 |
| 17768 | 2.00 in | - | 2.50 in | 3/8-24 UNF-2A | 3/8-24 UNF-2A | 0.12 in | 5.50 in | 400 lb | \$143.00 |
| 17769** | 1.25 in | - | 0.75 in | 1/4-28 UNF-2A | 1/4-28 UNF-2A | 0.12 in | 3.00 in | 400 lb | \$159.00 |
| 17771** | 1.25 in | - | 0.75 in | 1/2-20 UNF-2A | 1/2-20 UNF-2A | 0.25 in | 3.00 in | 1,400 lb | \$69.00 |
| 115292*** | 1.25 in | - | 0.75 in | 1/4-28 UNF-2A | 1/4-28 UNF-2A | 0.12 in | 3.00 in | 300 lb | \$111.00 |
| 33084**** | 1.31 in | - | 1.00 in | 1/2-20 UNF | 1/2-20 UNF | 0.125 in | 3.62 in | 850 lb | \$87.00 |

*Do not exceed the safe load **Used with Rice Lake Weighing Systems flexure bases ***Stainless steel ****Used with Rice Lake Weighing Systems FXB flexure bases

Cardinal® Wire Rope Assemblies

HARDWARE AND ACCESSORIES



Cardinal Wire Rope Assemblies

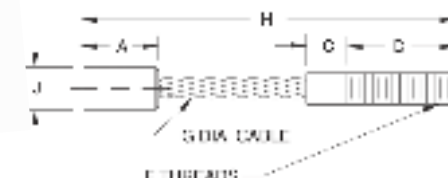
- EL208 Cardinal wire rope assembly: Used on 7,500 lb capacity FH model and 8,000 lb capacity EP model
- EL209 Cardinal wire rope assembly: Used on 20,000 lb capacity FH and EP models. May also be used on 15,000 lb capacity FH and EP models

Part Number/Price

| Part # | A | B | C | D | E | F | G | H | I | J | K | L & M | N | Safe Load* | Price |
|--------|---------|---------|---------|---------|---------|------------|---------------|---------|---------|---------|---------|----------|----------|------------|----------|
| 17763 | 1.50 in | - | 0.50 in | 1.50 in | - | 1/2-13 UNC | 0.25 in | 6.00 in | 0.81 in | 0.43 in | - | - | 0.43 in | 1,400 lb | \$126.50 |
| 17767 | 1.71 in | 0.75 in | 0.09 in | 2.00 in | 0.43 in | 6.31 in | 3/4-10 UNC-2A | 1.25 in | - | 0.60 in | 0.50 in | 0.625 in | 0.375 in | 2,880 lb | \$247.50 |

*Do not exceed the safe load

Custom Wire Ropes



Custom Wire Ropes

- When ordering, please complete Custom Wire Rope Definition form and provide a sample if possible, and specify the required tension rating and total capacity
- Wire ropes should not be exposed to shock loads, chemicals or twisting. Chains or rods should be used as safety backup in case of catastrophic failure.

Custom Wire Rope Definition Form

Customer's Name: _____

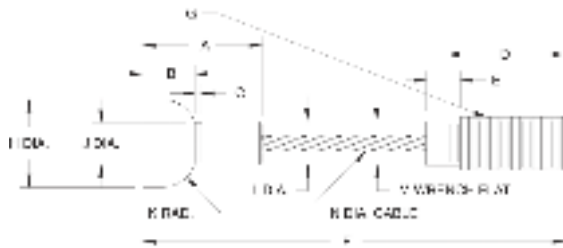
Contact Person: _____

Date: _____

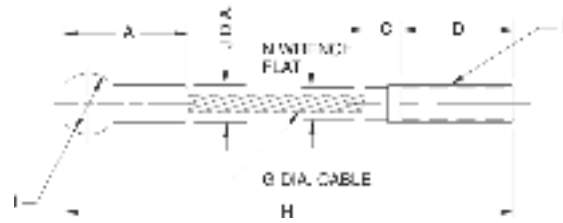
Application: _____

| Wire Rope* (Enter Dimensions) | | |
|-------------------------------|------------------|--------------------|
| A Thread length | F Threads | K Safe load |
| B Shank length | G Rope diameter | L Environment |
| C Shank length | H Overall length | M Application |
| D Thread length | I Ball diameter | N Style |
| E Threads | J Shank diameter | O Desired material |

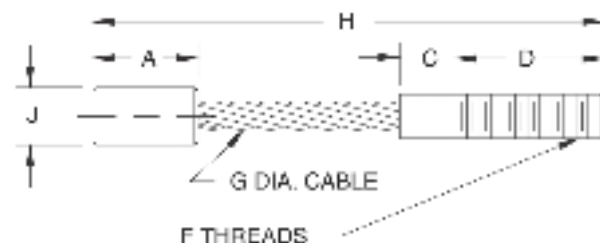
*Use drawings below for reference



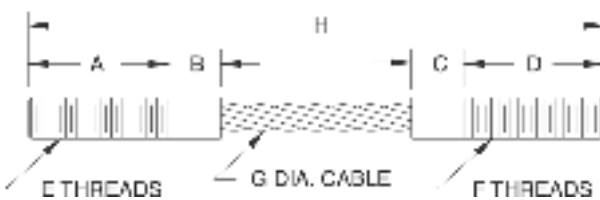
Style A



Style B



Style C



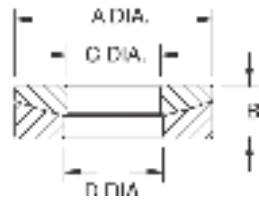
Style D



Style E

HARDWARE AND ACCESSORIES

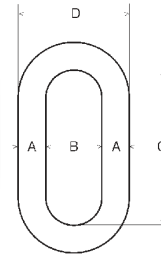
Spherical Washer Sets



Part Number/Price

| Part # | Bolt Size | A | B | C | D | Price |
|------------------------|-----------|---------|---------|---------|---------|----------|
| Mild Steel | | | | | | |
| 15196 | 0.25 in | 0.62 in | 0.20 in | 0.28 in | 0.31 in | \$16.00 |
| 15197 | 0.38 in | 0.88 in | 0.25 in | 0.41 in | 0.44 in | \$19.00 |
| 15198 | 0.50 in | 1.12 in | 0.31 in | 0.53 in | 0.56 in | \$8.50 |
| 15199 | 0.62 in | 1.38 in | 0.31 in | 0.66 in | 0.69 in | \$20.00 |
| 15200 | 0.75 in | 1.62 in | 0.38 in | 0.78 in | 0.81 in | \$25.00 |
| 15201 | 1.00 in | 2.00 in | 0.50 in | 1.06 in | 1.12 in | \$39.00 |
| 15202 | 1.25 in | 2.62 in | 0.50 in | 1.31 in | 1.38 in | \$72.00 |
| 15203 | 1.50 in | 2.88 in | 0.53 in | 1.56 in | 1.62 in | \$79.00 |
| 15205 | 2.00 in | 3.88 in | 0.81 in | 2.06 in | 2.12 in | \$127.00 |
| Stainless Steel | | | | | | |
| 33218 | 0.50 in | 1.12 in | 0.31 in | 0.53 in | 0.56 in | \$27.00 |
| 33220 | 0.75 in | 1.62 in | 0.38 in | 0.78 in | 0.81 in | \$38.00 |

Weldless End Links



Standard Features

- Self-colored or hot-dip galvanized
- Forged carbon steel quenched and tempered

Part Number/Price

| Part # | A | B | C | D | Safe Load* | Price |
|--------|----------|---------|---------|---------|------------|----------|
| F312L | 0.625 in | 1.00 in | 3.25 in | 2.32 in | 9,300 lb | \$58.00 |
| 17810 | 0.875 in | 2.00 in | 5.13 in | 3.75 in | 12,000 lb | \$175.00 |
| 21911 | 1.00 in | 2.25 in | 5.75 in | 4.25 in | 15,200 lb | \$344.00 |
| 65430 | 1.25 in | 2.50 in | 7.00 in | 5.00 in | 26,400 lb | \$159.00 |
| 21912 | 1.375 in | 2.75 in | 7.75 in | 5.50 in | 30,000 lb | \$488.00 |

*Do not exceed the safe load

HARDWARE AND ACCESSORIES

Load Cell Spacers

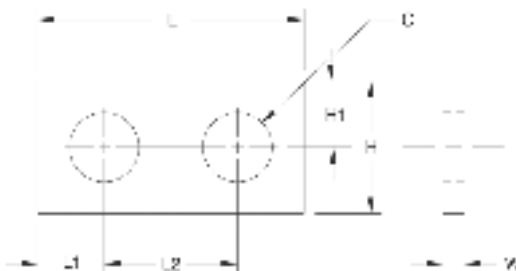


Standard Features

- Use with most popular single-ended beams
- Provides flat mounting surface required for optimal load cell performance
- Zinc-plated mild steel or stainless steel

Part Number/Price

| Part # | C | H | H1 | L | L1 | L2 | W | Price |
|------------------------|---------|---------|---------|---------|---------|---------|---------|---------|
| Mild Steel | | | | | | | | |
| 17754 | 0.53 in | 1.25 in | 0.62 in | 2.25 in | 0.62 in | 1.00 in | 0.25 in | \$29.00 |
| 17755 | 0.78 in | 1.50 in | 0.75 in | 3.00 in | 0.75 in | 1.50 in | 0.25 in | \$29.00 |
| 17756 | 1.03 in | 2.00 in | 1.00 in | 4.00 in | 1.00 in | 2.00 in | 0.25 in | \$30.00 |
| 18260 | 0.53 in | 1.25 in | 0.62 in | 2.25 in | 0.62 in | 1.00 in | 0.37 in | \$31.00 |
| Stainless Steel | | | | | | | | |
| 17757 | 0.78 in | 1.50 in | 0.75 in | 3.00 in | 0.75 in | 1.50 in | 0.25 in | \$37.00 |
| 18383 | 0.53 in | 1.25 in | 0.62 in | 2.25 in | 0.62 in | 1.00 in | 0.37 in | \$32.00 |
| 18411 | 0.53 in | 1.25 in | 0.62 in | 2.25 in | 0.62 in | 1.00 in | 0.25 in | \$33.00 |



Load Button



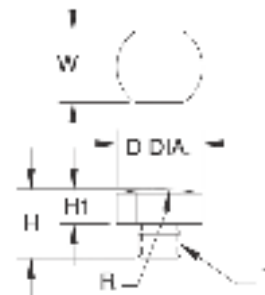
Standard Features

Load Button

- Suitable for use with compression mounting assemblies, canisters, S-beams and single-ended beams
- Hardened alloy steel

Part Number/Price

| Part # | T | D | H | H1 | R | W | Price |
|--------|------------|---------|---------|---------|---------|---------|---------|
| 17750 | 3/8-24 UNF | 0.75 in | 0.60 in | 0.30 in | 2.00 in | 0.63 in | \$37.00 |
| 17751 | 1/2-20 UNF | 0.75 in | 0.70 in | 0.30 in | 4.00 in | 0.63 in | \$32.00 |
| 17752 | 3/4-16 UNF | 1.50 in | 0.90 in | 0.30 in | 6.00 in | 1.25 in | \$50.00 |





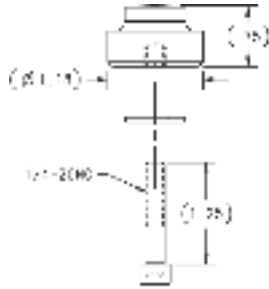
Standard Features

Load Button Insert Kit

- To be used with RLSSB and VPG Revere SSB load cells (1,000 to 5,000 lb)
- Hardened alloy steel

Part Number/Price

| Part # | Description | Price |
|--------|------------------------|---------|
| 26112 | Load button insert kit | \$37.00 |



Standard Features

- Replacement foot, adapts to most floor scales
- Use with single-ended beams to provide large, flat, adjustable introduction surface
- Special neoprene rubber sandwich base gives high accuracy, linearity and repeatability

Part Number/Price

| Part # | Material | Thread Size | Base Ht. | Total Ht. | Diameter | Price |
|--------|-----------------|---------------|----------|-----------|----------|----------|
| 18756 | Stainless steel | 1/2-20 UNF | 0.75 in | 2.62 in | 3.47 in | \$50.00 |
| 39021 | Mild steel | 3/4-16 UNF-2B | 0.875 in | 3.25 in | 4.40 in | \$93.00 |
| 39022 | Mild steel | 3/4-16 UNF-2B | 0.875 in | 4.06 in | 5.40 in | \$135.00 |
| 110930 | Mild steel | 1-14 UNF | 1.00 in | 4.06 in | 5.40 in | \$235.00 |
| 42130 | Stainless steel | M12 | 0.75 in | 2.62 in | 3.47 in | \$103.00 |

Flintec® Adjustable Rubber Foot



SLB, SB4, SB5, SB14 and SB6



BK2

Standard Features

- Blind hole introduction
- Low profile
- Height adjustable by rotation
- Includes spacer
- Stainless steel

Part Number/Price

| Part # | Foot Diameter | Load Cell Capacity | Price |
|------------------------------------|---------------|--------------------|---------|
| SLB, SB4, SB5, SB14 and SB6 | | | |
| 46230 | 2.36 in | 200 to 500 lb | \$65.00 |
| 77561 | 3.14 in | 1,000 to 5,000 lb | \$65.00 |
| BK2 | | | |
| 87096 | 3.140 in | 200 to 2,000 kg | \$65.00 |

HARDWARE AND ACCESSORIES

Bench Scale Feet



107476



19141



35128

Standard Features

- Rubber pad, 1/4-20 UNC threads
- Stainless steel, 3/8-16 UNC thread

Part Number/Price

| Part # | Description | Price |
|------------------------|-------------------|---------|
| Rubber Pad | | |
| 35128 | Bench scale feet | \$14.00 |
| 107476 | CW-90/CW-90X feet | \$21.00 |
| Stainless Steel | | |
| 19141 | Bench scale feet | \$8.00 |

Polyurethane Rubber Leveling Feet



Standard Features

- 3 in overall height, all diameters
- Stainless steel stem for corrosion resistance
- Heavy-duty construction, low-cost replacement feet
- Four standard diameters all with 1/2-20 UNF stainless steel stud, slotted for top-access applications
- Stainless steel jam nut provided
- Top of stud is machined undersize 10% for easy alignment into load cell

Part Number/Price

| Part # | Foot Diameter | Height | Price |
|--------|---------------|---------|---------|
| 74585 | 1.87 in | 3.00 in | \$32.00 |
| 74586 | 2.00 in | 3.00 in | \$32.00 |
| 74587 | 2.50 in | 3.00 in | \$32.00 |
| 73801 | 3.00 in | 3.00 in | \$32.00 |

Captured Ball Floor Scale Leveling Feet



Carbon

Stainless Steel

Standard Features

Carbon steel

- Bright zinc and clear chromate plating for corrosion resistance
- Active ball suspension provides ideal load cell loading with maximum side load protection
- Hardened alloy steel with plated finish
- Includes one jam nut in carbon steel and stainless steel feet
- Top of stud is machined undersized 10% for easy alignment into load cell plus slotted for top-access applications

Stainless steel

- Provides outstanding accuracy, repeatability and performance
- Active ball suspension provides optimal load cell performance
- Hardened stainless steel material, welded with polished finish
- Includes one jam nut in carbon steel and stainless steel feet
- Top of stud is machined undersized 10% for easy alignment into load cell plus slotted for top-access applications

Part Number/Price

| Part # | Foot Diameter | Thread Size Inches | Height | Price |
|------------------------|---------------|--------------------|---------|----------|
| Carbon Steel | | | | |
| 74578 | 1.87 in | 1/2-20 UNF | 3.50 in | \$45.00 |
| 74579 | 2.00 in | 1/2-20 UNF | 3.50 in | \$45.00 |
| 74580 | 2.50 in | 1/2-20 UNF | 3.50 in | \$45.00 |
| 74581 | 3.00 in | 1/2-20 UNF | 3.50 in | \$45.00 |
| 74582 | 3.00 in | 3/4-16 UNF | 4.50 in | \$56.00 |
| 74583 | 3.00 in | 1-12 UNF | 4.50 in | \$67.00 |
| 74584 | 3.00 in | 1-14 UNF | 4.50 in | \$67.00 |
| 171449 | 3.00 in | 1-14 UNF | 5.00 in | \$83.00 |
| 173018 | 4.40 in | 3/4-16 UNF | 3.13 in | \$96.00 |
| 174937 | 5.40 in | 3/4-16 UNF | 4.13 in | \$139.00 |
| Stainless Steel | | | | |
| 74572 | 1.87 in | 1/2-20 UNF | 3.50 in | \$80.00 |
| 74573 | 2.00 in | 1/2-20 UNF | 3.50 in | \$80.00 |
| 73800 | 2.50 in | 1/2-20 UNF | 3.50 in | \$80.00 |
| 74574 | 3.00 in | 1/2-20 UNF | 3.50 in | \$80.00 |
| 74575 | 3.00 in | 3/4-16 UNF | 4.50 in | \$113.00 |
| 74576 | 3.00 in | 1-12 UNF | 4.50 in | \$136.00 |
| 74577 | 3.00 in | 1-14 UNF | 4.50 in | \$136.00 |
| 92380* | 2.50 in | 1/2-20 UNF | 3.50 in | \$80.00 |
| 175615 | 3.47 in | 1/2-20NF | 2.62 in | \$108.00 |

*Stem is fully threaded

Leveling Pads



Standard Features

- Replacement feet adapt to most floor scales
- Available in mild steel or stainless steel
- Simple swivel design
- Use with single-ended shear beams or bending beams to provide a large, flat load introduction surface

Part Number/Price

| Part # | Thread Size | Height | Diameter | Price |
|------------------------|-------------|---------|----------|----------|
| Mild Steel | | | | |
| 18817 | 1/2-13 NC | 1.12 in | 1.87 in | \$27.00 |
| 18820 | 3/4-10 NC | 1.50 in | 3.00 in | \$47.00 |
| Stainless Steel | | | | |
| 18818 | 1/2-13 NC | 1.12 in | 1.87 in | \$63.00 |
| 18833 | 3/4-10 NC | 1.50 in | 3.00 in | \$109.00 |

Used in conjunction with leveling pad stems

Leveling Mount



Standard Features

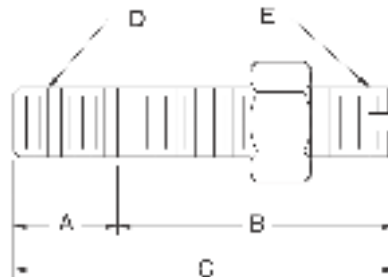
- Designed for use with some floor scales or machinery platforms
- Can limit vibrations transmitted to the scale through the floor
- Provides vibration isolation on most portable platforms

Part Number/Price

| Part # | Thread Size | Height | Diameter | Price |
|--------|-------------|---------|----------|----------|
| 18819 | 1/2-13 NC | 1.81 in | 5.00 in | \$106.00 |

HARDWARE AND ACCESSORIES

Leveling Pad Stems



Standard Features

- For use with leveling pads
- One jam nut included

Part Number/Price

| Part # | A | B | C | D | E | Slot | Material | Price |
|------------------------|---------|---------|---------|------------|------------|------|-----------------|---------|
| Mild Steel | | | | | | | | |
| 17693 | 0.75 in | 2.00 in | 2.75 in | 3/4-10 UNC | 3/4-16 UNF | No | 1045 | \$17.00 |
| Stainless Steel | | | | | | | | |
| 17689 | 0.50 in | 1.50 in | 2.00 in | 1/2-13 UNC | 1/2-20 UNF | Yes | Stainless steel | \$25.00 |
| 17695 | 0.75 in | 2.00 in | 2.75 in | 3/4-10 UNC | 3/4-16 UNF | No | Stainless steel | \$40.00 |

Warning: Do not use to suspend a load

RoughDeck® Scale Base



Part Number/Price

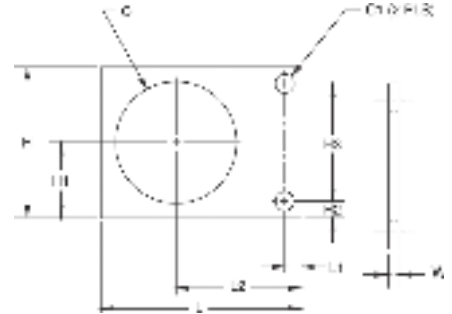
| Part # | Description | Price |
|--------|-------------------------------------|---------|
| 19075 | Mild steel, 1,000 to 10,000 lb | \$19.00 |
| 19076 | Stainless steel, 1,000 to 10,000 lb | \$25.00 |

Dimensions

| Part # | C | C1 | H | H1 | H2 | H3 | L | L1 | L2 | W |
|--------|---------|---------|---------|---------|---------|---------|---------|---------|---------|---------|
| 19075 | 3.62 in | 0.56 in | 4.50 in | 2.25 in | 0.50 in | 3.50 in | 6.00 in | 0.50 in | 3.75 in | 0.25 in |
| 19076 | 3.62 in | 0.56 in | 4.50 in | 2.25 in | 0.50 in | 3.50 in | 6.00 in | 0.50 in | 3.75 in | 0.25 in |

Standard Features

- Secures RoughDeck and other popular floor scales
- Prevents movement in horizontal plane
- Useful with SureFoot™ and other load cell foot assemblies
- Available in stainless steel and mild steel



Summit® 3000 Scale Base



Part Number/Price

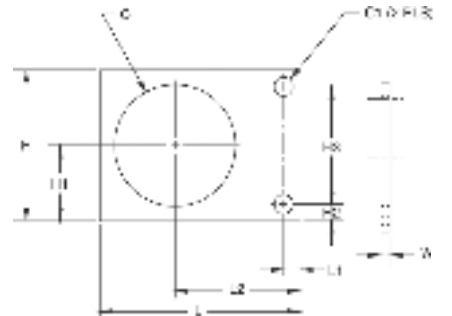
| Part # | Description | Price |
|--------|--------------------------------|---------|
| 76149 | Mild steel, 2,000 to 10,000 lb | \$19.00 |

Dimensions

| Part # | C | C1 | H | H1 | H2 | H3 | L | L1 | L2 | W |
|--------|---------|---------|---------|---------|---------|---------|---------|---------|---------|---------|
| 76149 | 3.19 in | 0.56 in | 4.50 in | 2.25 in | 0.50 in | 3.50 in | 6.00 in | 0.50 in | 3.75 in | 0.25 in |

Standard Features

- Mounting plate for Summit 3000 floor scales



Floor Scale Base



Part Number/Price

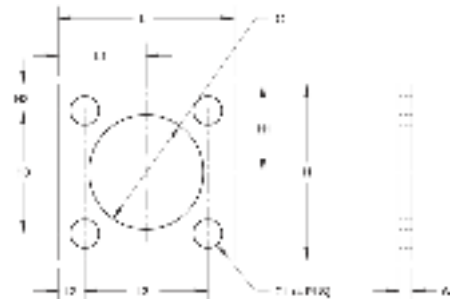
| Part # | Description | Price |
|--------|-------------------------------------|---------|
| 18737 | Mild steel, 1,000 to 10,000 lb | \$9.00 |
| 18738 | Mild steel, 10,000 to 20,000 lb | \$10.00 |
| 18751 | Stainless steel, 1,000 to 10,000 lb | \$34.00 |

Dimensions

| Part # | C | C1 | H | H1 | H2 | H3 | L | L1 | L2 | L3 | W |
|--------|---------|---------|---------|---------|---------|---------|---------|---------|---------|---------|---------|
| 18737 | 2.00 in | 0.53 in | 4.00 in | 2.00 in | 0.50 in | 3.00 in | 4.00 in | 2.00 in | 0.50 in | 3.00 in | 0.25 in |
| 18738 | 3.25 in | 0.81 in | 5.00 in | 2.50 in | 0.75 in | 3.50 in | 5.00 in | 2.50 in | 0.75 in | 3.50 in | 0.38 in |
| 18751 | 2.00 in | 0.53 in | 4.00 in | 2.00 in | 0.50 in | 3.00 in | 4.00 in | 2.00 in | 0.50 in | 3.00 in | 0.25 in |

Standard Features

- Suitable for use with leveling pads
- Generic mounting plate for popular floor scales
- Fits most floor scale foot assemblies
- Available in stainless steel and mild steel (mild steel parts are zinc plated/painted)



Complete Custom Cable Services



Approvals



Standard Features

- Special cable requirements
- Custom-built cable designed specifically for your application
- Choose from design elements and Rice Lake Weighing Systems will build a cable to your specifications
- Quick turnaround
- Competitively priced
- 5,000 ft minimum purchase

Specifications

Jacket Material:

PVC
Polyurethane
Double-jacketed

Conductors:

Unlimited number
Twisted pairs
Color code
Gauge

Shielding:

Braided
Foil

Jacket Colors:

Black, brown, green, orange, red, blue, yellow, gray, natural

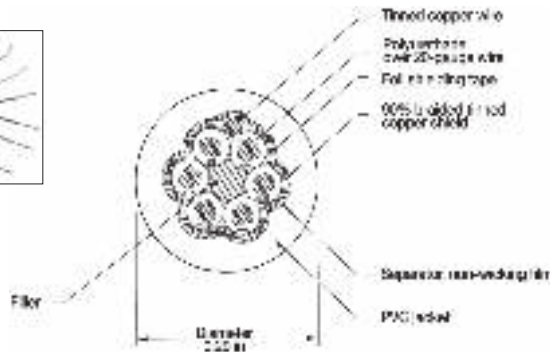
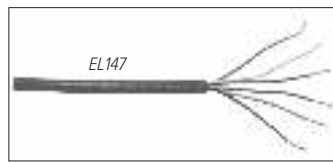
Ink Colors:

Black, white, silver, orange
Custom logos

HARDWARE AND
ACCESSORIES

EL147, 6 Wire

Standard Load Cell Cable



Approvals



Standard Features

EL147 Standard Cable

- 20 AWG tinned copper wire stranded for flexibility
- Braided shielding is encased in red PVC
- All conductors are industry-standard color coded
- Diameter: 0.29 in
- The six-wire cable is best suited for longer runs where remote sense lines can be used
- Temperature rating:
-22 °F to 126 °F (-30 °C to 80 °C)

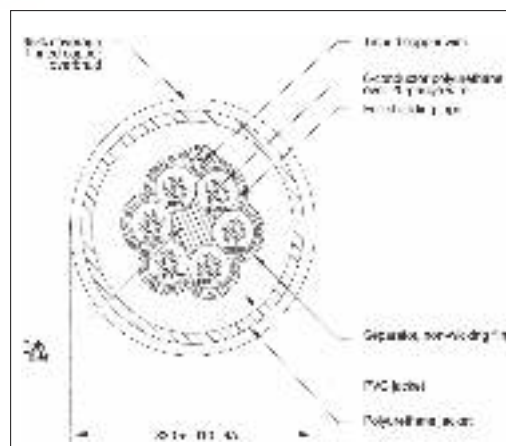
Part Number/Price

| Part # | Continuous Roll | Description | Price |
|--------|-----------------|---------------------|------------|
| 15515 | 100 ft | Six-conductor cable | \$228.00 |
| 15516 | 250 ft | Six-conductor cable | \$503.00 |
| 15517 | 500 ft | Six-conductor cable | \$938.00 |
| 15518 | 1,000 ft | Six-conductor cable | \$1,828.00 |
| 15495 | Custom length | Six-conductor cable | \$2.28/ft |

HARDWARE AND ACCESSORIES

EL147RP Plus, 6 Wire

Rodent Protection Load Cell Cable



Standard Features

EL147RP Rodent Protection Cable

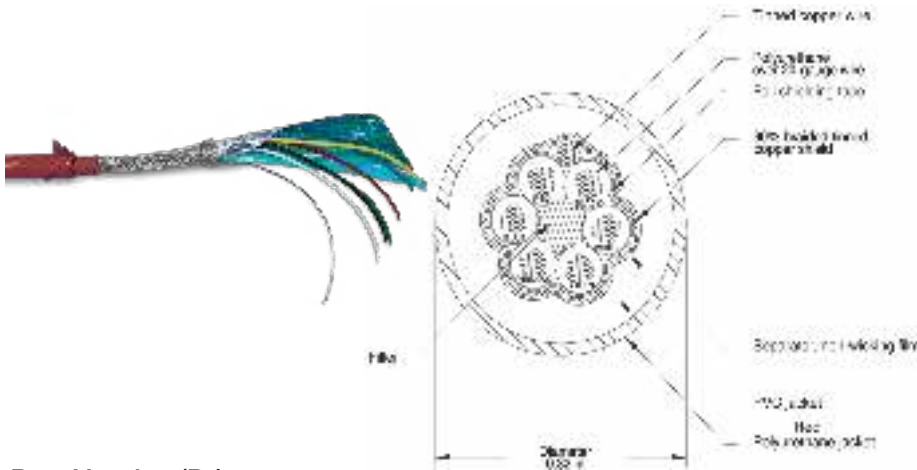
- Tinned copper overbraid provides superior rodent and abrasion deterrent
- Enhanced EMI/RFI protection
- Six-conductor industry-standard color code
- Ideal for truck and railroad-track scales
- Diameter: 0.33 in
- Temperature rating:
-22 °F to 176 °F (-30 °C to 80 °C)
- Jacket coating enhanced with a chemical coating "NAW" that is distasteful to rodents

Part Number/Price

| Part # | Continuous Roll | Description | Price |
|--------|-----------------|---------------------------------------|------------|
| 31475 | Custom length | Six-conductor rodent protection cable | \$4.00/ft |
| 131964 | 100 ft | Six-conductor rodent protection cable | \$397.00 |
| 131965 | 250 ft | Six-conductor rodent protection cable | \$917.00 |
| 131966 | 500 ft | Six-conductor rodent protection cable | \$1,818.00 |
| 131967 | 1,000 ft | Six-conductor rodent protection cable | \$3,524.00 |

EL147HE, 6 Wire

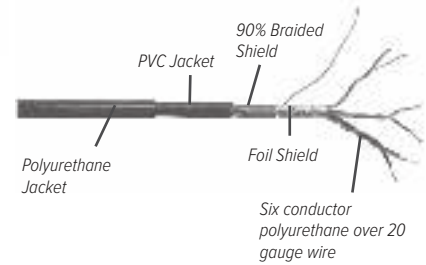
Hostile Environment Load Cell Cable



Standard Features

EL147HE Hostile Environment Cable

- Designed for use in hostile environments
- Polyurethane jacketing provides superior chemical and abrasion resistance
- RFI and EMI protected with foil overbraid shield
- Unmatched durability, yet extremely flexible
- All conductors are industry-standard color coded
- Diameter: 0.32 in
- Temperature rating: -22 °F to 176 °F (-30 °C to 80 °C)
- 500 V rating

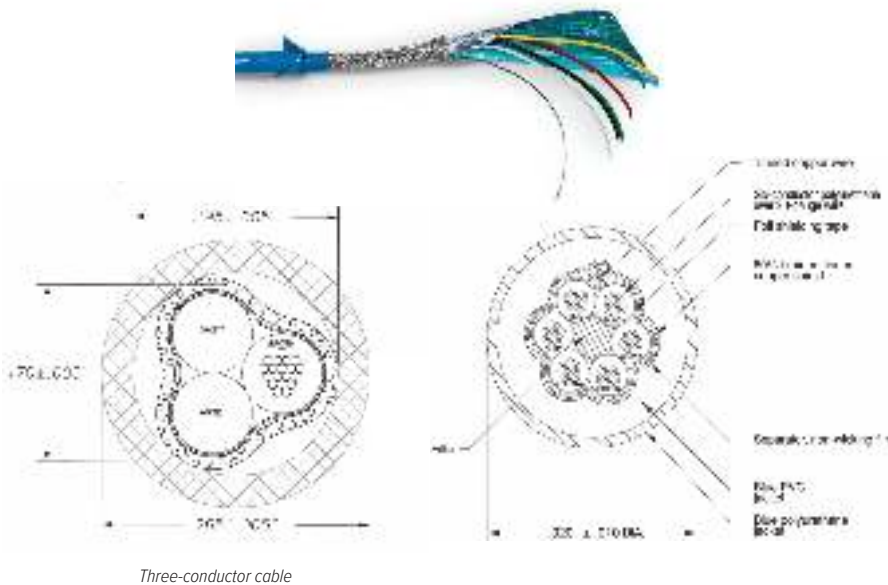


Part Number/Price

| Part # | Continuous Roll | Description | Price |
|--------|-----------------|---|------------|
| 15520 | 100 ft | Six-conductor hostile environment cable | \$265.00 |
| 15521 | 250 ft | Six-conductor hostile environment cable | \$636.00 |
| 15522 | 500 ft | Six-conductor hostile environment cable | \$1,182.00 |
| 15523 | 1,000 ft | Six-conductor hostile environment cable | \$2,050.00 |
| 15496 | Custom length | Six-conductor hostile environment cable | \$2.80/ft |

EL147IS, 6 Wire

Hazardous Environment Blue Jacket Load Cell Cable

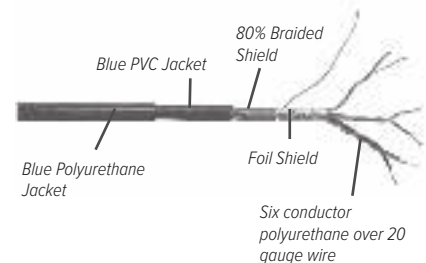


Three-conductor cable

Standard Features

EL147IS Hazardous Environment Blue Jacket Cable

- Designed for intrinsically safe applications (must be wired according to Factory Mutual System-approved diagram)
- Polyurethane over PVC double jacketing provides superior chemical and abrasion resistance
- Both foil and braided wire shields for added RFI and EMI protection
- Six-conductor is industry-standard color coded (Also available three-conductor)
- Suited for longer runs where remote sense lines can be used
- Temperature rating: -22 °F to 176 °F (-30 °C to 80 °C)
- Diameter: 0.32 in



Part Number/Price

| Part # | Description | Price |
|--------|--|-----------|
| 32817 | EL147IS, blue jacket six-conductor | \$3.34/ft |
| 72241 | Blue jacket, shielded three-conductor, UL and CSA recognized | \$2.95/ft |

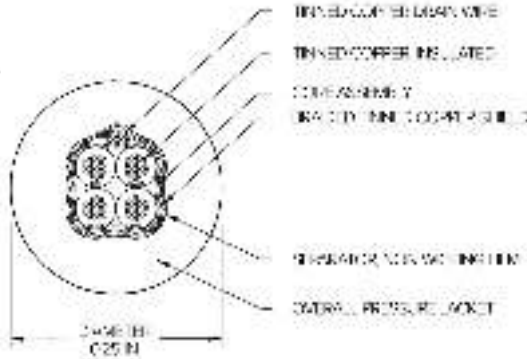
HARDWARE AND ACCESSORIES

EL146, 4 Wire

Standard Load Cell Cable



Approvals



Standard Features

EL146 Standard Cable

- Four-wire load cell cable
- 20 AWG tinned copper wire stranded for flexibility
- Braided shielding is encased in red PVC
- All conductors are industry-standard color coded
- Diameter: 0.25 in
- Use the four-wire cable for repairing or extending existing cable
- Temperature rating: -22 °F to 126 °F (-30 °C to 80 °C)

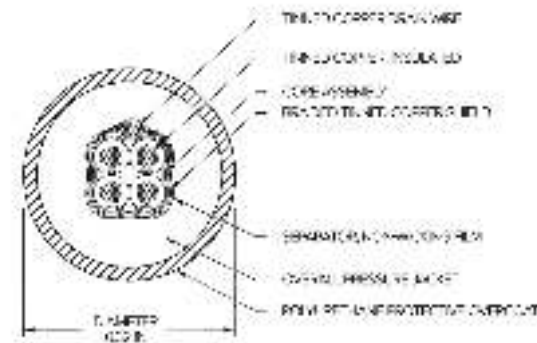
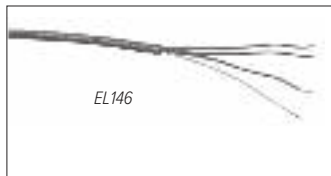
Part Number/Price

| Part # | Continuous Roll | Description | Price |
|--------|-----------------|----------------------|------------|
| 15505 | 100 ft | Four-conductor cable | \$143.00 |
| 15506 | 250 ft | Four-conductor cable | \$334.00 |
| 15507 | 500 ft | Four-conductor cable | \$652.00 |
| 15508 | 1,000 ft | Four-conductor cable | \$1,075.00 |
| 15493 | Custom length | Four-conductor cable | \$1.65/ft |

HARDWARE AND ACCESSORIES

EL146HE, 4 Wire

Hostile Environment Load Cell Cable



Standard Features

EL146HE Hostile Environment Cable

- Designed for use in hostile environments
- Polyurethane jacketing provides superior chemical and abrasion resistance
- RFI and EMI protected with foil overbraid shield
- Unmatched durability, yet extremely flexible
- All conductors are industry-standard color coded
- Diameter: 0.32 in
- Temperature rating: -22 °F to 176 °F (-30 °C to 80 °C)
- 500 V rating

Part Number/Price

| Part # | Continuous Roll | Description | Price |
|--------|-----------------|--|------------|
| 15510 | 100 ft | Four-conductor hostile environment cable | \$175.00 |
| 15511 | 250 ft | Four-conductor hostile environment cable | \$424.00 |
| 15512 | 500 ft | Four-conductor hostile environment cable | \$805.00 |
| 15513 | 1,000 ft | Four-conductor hostile environment cable | \$1,606.00 |
| 15494 | Custom Length | Four-conductor hostile environment cable | \$1.96/ft |

EL144 Communications Cable



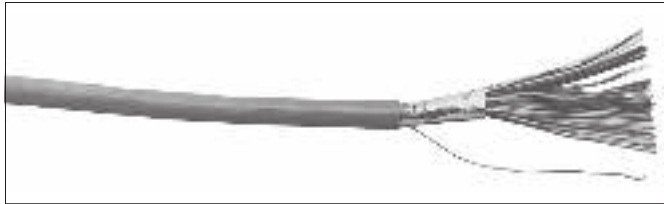
Standard Features

- Two-conductor with bare ground
- RFI/EMI protected with foil shield
- 20 gauge conductors
- Perfect for RS-232, two-wire RS-485 and 20 mA current loop communications
- Diameter: 0.19 in
- Conductor colors are black and white

Part Number/Price

| Part # | Description | Price |
|--------|-----------------|-----------|
| 32803 | EL144 | \$1.22/ft |
| 72691 | EL144, 100 ft | \$90.00 |
| 72072 | EL144, 500 ft | \$477.00 |
| 72693 | EL144, 1,000 ft | \$865.00 |

BCD Cable



Standard Features

- Sheathed in gray PVC
- Mylar aluminum foil shield with stranded tinned copper drain wire
- Diameter: 0.375 in

Part Number/Price

| Part # | Description | Price |
|--------|---------------------------|------------|
| 15497 | BCD, 24 AWG, 30-conductor | \$29.00/ft |

HARDWARE AND ACCESSORIES

Fiber-Optic Cable



Color Code: Black-TXD, Blue-RXD

Standard Features

- Duplex cable polyethylene black jacket material
- 4.4 + 0.10 mm outer diameter of duplex cable
- 2.2 + 0.007 mm single cable outer diameter
- Operating temperature: 32 °F to 158 °F (0 °C to 70 °C)

Part Number/Price

| Part # | Description | Price |
|--------|--------------------------|-----------|
| 78910 | Custom length | \$1.75/ft |
| 78026 | 100 ft cable | \$175.00 |
| 78027 | 200 ft cable | \$328.00 |
| 78028 | 300 ft cable | \$425.00 |
| 83052* | Fiber-optic connector | \$48.00 |
| 80892 | Fiber-optic cable cutter | \$12.00 |
| 85548 | Fiber-optic hot knife | \$65.00 |

*Duplex fiber cable requires two connectors

SURVIVOR® EL620HE

High Temperature Cable



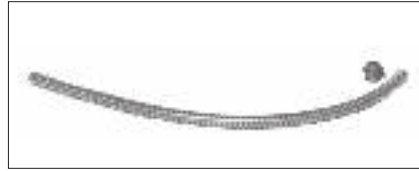
Standard Features

- Multi-conductor overall foil and braid shield
- Suitable for temperatures from -40 °C (-40 °F) to 200 °C (392 °F)
- Insulation thickness: 0.010 in
- Jacket thickness: 0.017 in
- 18 gauge, tinned copper conductors
- Six-conductor
- FEP jacket, resistant to chemical corrosion and high temperature
- Aluminum-polyester shield with 85% tinned copper braid shield
- 150 V NEC 725 Class 2 classified for use in an air plenum non-conduit
- 0.24 in diameter cable

Part Number/Price

| Part # | Description | Price |
|--------|-------------|------------|
| 15605 | EL620HE | \$13.00/ft |

SURVIVOR® Cable Armor



Standard Features

- Flexible all-metal protective armor
- Ideal for protecting load cell cable from mechanical abrasion or rodents
- Available in stainless steel and galvanized steel
- 0.5 in internal diameter, 2.0 in minimum bend radius
- Optional end fitting with 1/2 in male pipe thread

Part Number/Price

| Part # | Description | Price |
|--------|----------------------|-------------|
| 17808 | Galvanized steel | \$4.50/ft |
| 17806 | Stainless steel | \$5.50/ft |
| 17807 | Optional end fitting | \$2.65 each |

HARDWARE AND ACCESSORIES

EL148HE Mettler Toledo®

Replacement Power Cell Cable



Standard Features

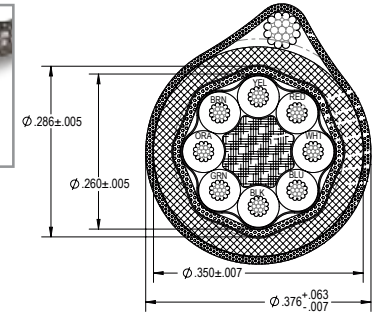
- 100% stainless steel military connector-electro deposited nickel plating with stainless banding and epoxy heat-shrink strain relief
- Stainless steel arctic ring precision cut for improved connection
- Textured rubber boot for additional grip
- Standard Mettler Toledo color code
- Compatible with Mettler Toledo Powercell CMOS/NMOS and MTX load cells. NOT compatible with Mettler Toledo PDX load cells.
- Custom lengths available

Part Number/Price

| Part # | Cable Length Each | Price |
|--------|-------------------|----------|
| 100268 | 8 ft | \$387.00 |
| 101102 | 12 ft | \$397.00 |
| 104164 | 15 ft | \$380.00 |
| 100269 | 26 ft | \$419.00 |
| 100270 | 35 ft | \$440.00 |

Mettler Toledo® Power Cell®

Homerun Cable



Standard Features

- Galvanized steel drain wire
- 20 gauge 8 conductors
- Stainless steel braid shield

Part Number/Price

| Part # | Description | Price |
|--------|------------------|-----------|
| 194837 | Galvanized steel | \$8.50/ft |

Load Cell Conduit Adapters



Standard Features

- Used to adapt conduit to load cells
- 303 stainless steel

Part Number/Price

| Part # | A | B | Price |
|------------------|------------|------------|---------|
| Thread-On | | | |
| 31533 | 3/8-24 UNF | — | \$37.00 |
| 31534 | — | 1/4-18 NPT | \$37.00 |
| 31535 | 5/8-18 UNF | 1/2-14 NPT | \$37.00 |

Note: 31533 and 31534 are used together to form male-to-male adapter

Cord Grip Assemblies



Standard Features

- Assemblies include cord grip, locknut, O-ring seal, gray and black reducer glands
- Fittings are made of weather- and corrosion-resistant nylon

Part Number/Price

| Gland Cable Ranges | | | | | |
|---------------------------|---------|---------------------|-------------------|-------------------|--------|
| Part # | Thread | Panel Hole Diameter | Regular (Black) | Reducer (Gray) | Price |
| 15669 | PCN9 | 0.625 in | 0.157 to 0.314 in | 0.118 to 0.236 in | \$5.25 |
| 15670 | 3/8 NPT | 0.687 in | 0.157 to 0.314 in | 0.118 to 0.236 in | \$4.75 |
| 15671 | 1/2 NPT | 0.844 in | 0.236 to 0.472 in | 0.200 to 0.354 in | \$5.50 |

HARDWARE AND ACCESSORIES

EL214 Cable Splicing Kit



Standard Features

EL214

- Designed for a complete, professional transducer cable splice
- Prevents moisture from entering the load cell through the cable connector
- Each kit contains a high-impact plastic splicing box, liquid-tight cable fittings, circuit card, PTFE sleeving, pre-measured potting compound and complete instructions
- Solder terminals

Specifications

Dimensions:

(L × W × H)
3.00 × 1.00 × 1.50 in

Mounting Centers:

2.50 in

Number of Connections:

Seven

Cable Diameter:

0.187 to 0.312 in

Cure Time For Potting:

Two hours at 73 °F (23 °C)

Part Number/Price

| Part # | Description | Price |
|--------|-------------|----------|
| 15485 | EL214 | \$143.00 |

EL214T Cable Splicing Kit



Standard Features

EL214T

- Designed to accommodate cables larger than the EL214; all other dimensions and performance features are the same
- Solder terminals

Specifications

Dimensions:

(L × W × H)
3.00 × 1.00 × 1.50 in

Mounting Centers:

2.50 in

Number of Connections:

Seven

Cable Diameter:

0.187 to 0.312 in

Cure Time For Potting:

Two hours at 73 °F (23 °C)

Part Number/Price

| Part # | Description | Price |
|--------|-------------|----------|
| 15486 | EL214T | \$154.00 |

EL215 Cable Splicing Kit



Standard Features

- Designed for use in weather-exposed or direct-burial locations
- Each kit contains plastic splicing tube, circuit board, insulating resin and instructions
- Solder terminals

Specifications

Dimensions:

(L × W)
6.00 × 1.38 in

Number of Connections:

7

Cable Diameter:

Up to 0.75 in

Cure Time For Potting:

2 hours at 70 °F (21 °C)

Part Number/Price

| Part # | Description | Price |
|--------|-------------|----------|
| 15612 | EL215 | \$116.00 |

Flintec® Load Cell Cable

Replacement Kits



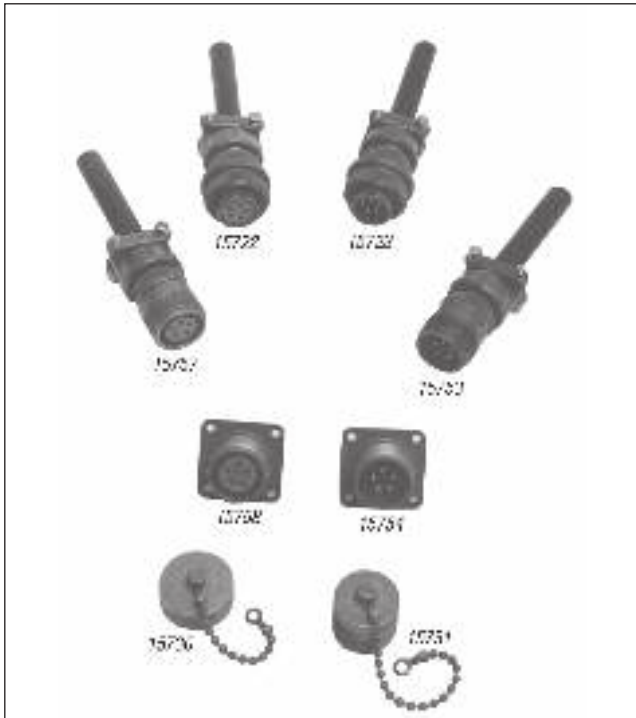
Standard Features

- Each kit includes cable for four Flintec SB4 load cells as listed

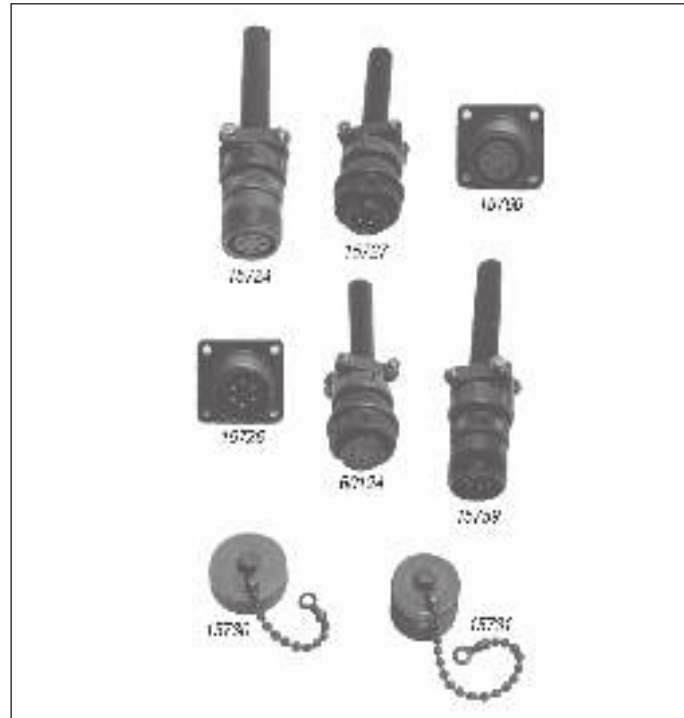
Part Number/Price

| Part # | Description | Cable Length Ea. Feet | Price |
|--------|------------------------------|-----------------------|----------|
| 18412 | For SB4, 225 to 5,200 lb | 10 ft | \$370.00 |
| 18413 | For SB4, 11,250 to 22,500 lb | 15 ft | \$397.00 |

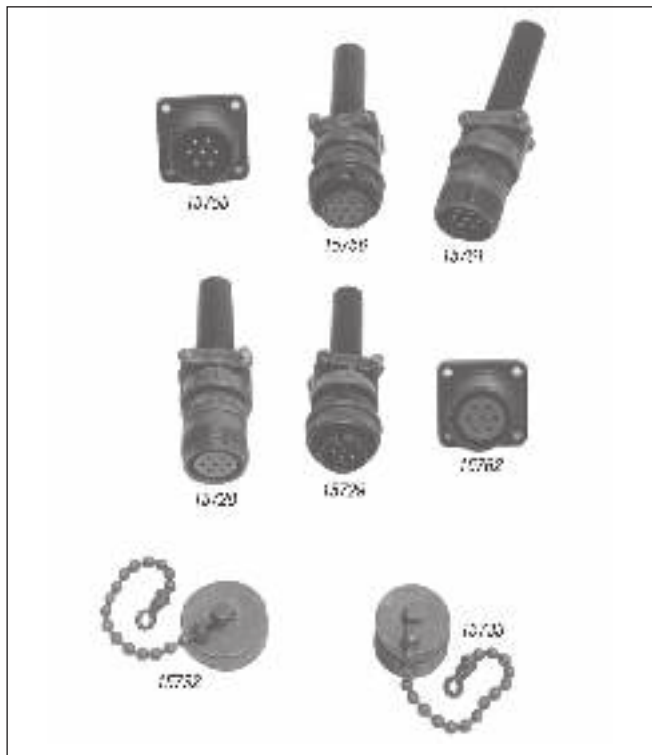
Five-Position Connectors, Shell Plugs, Receptacles



Six-Position Connectors, Shell Plugs, Receptacles



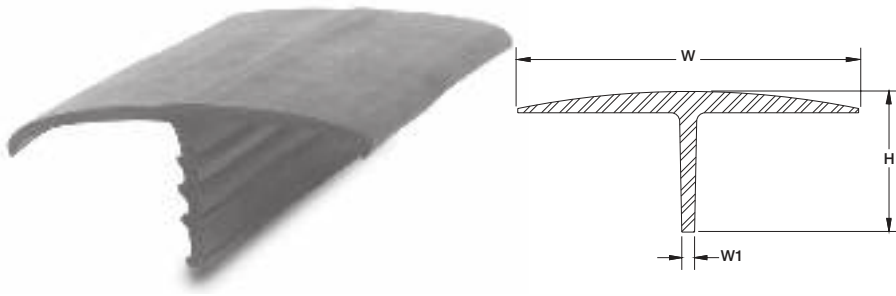
Seven-Position Connectors, Shell Plugs, Receptacles



Part Number/Price

| Part # | Description | Price |
|--------|---|---------|
| 15753 | Five-pin, external thread | \$32.00 |
| 15722 | Five-socket, internal thread | \$33.00 |
| 15723 | Five-pin, internal thread | \$32.00 |
| 15757 | Five-socket, external thread | \$37.00 |
| 15754 | Five-pin chassis mount, external thread | \$37.00 |
| 15758 | Five-socket chassis mount, external thread | \$23.00 |
| 15730 | Dust cap for ext. thread five-position connector | \$14.00 |
| 15731 | Dust cap for int. thread five-position connector | \$19.00 |
| 15759 | Six-pin, external thread, male | \$32.00 |
| 60124 | Six-socket, internal thread connector, female fits Toledo load cells, Condec indicators | \$27.00 |
| 15727 | Six-pin, internal thread, male | \$31.00 |
| 15724 | Six-socket, external thread | \$35.00 |
| 15726 | Six-pin chassis mount, external thread | \$24.00 |
| 15760 | Six-socket chassis mount, external thread | \$23.00 |
| 15730 | Dust cap for ext. thread six-position connector | \$14.00 |
| 15731 | Dust cap for int. thread six-position connector | \$19.00 |
| 15761 | Seven-pin, external thread | \$33.00 |
| 15756 | Seven-socket, internal thread | \$35.00 |
| 15729 | Seven-pin, internal thread | \$35.00 |
| 15728 | Seven-socket, external thread | \$35.00 |
| 15755 | Seven-pin chassis mount, external thread | \$24.00 |
| 15762 | Seven-socket chassis mount, external thread | \$27.00 |
| 15732 | Dust cap for ext. thread seven-position connector | \$20.00 |
| 15733 | Dust cap for int. thread seven-position connector | \$31.00 |

T-Grip Molding



Standard Features

T-Grip

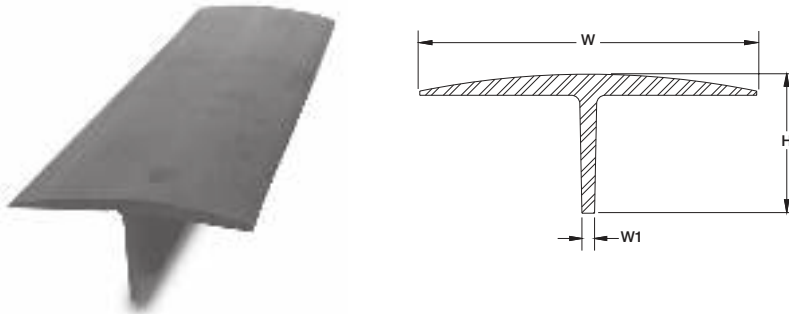
- Designed for use in truck scale applications to prevent spillover into the pit
- Impact, tear and weather-resistant EPDM rubber
- Barbed web to hold molding in place
- Web thickness 0.22 in
- Available by the foot: 10 ft, 11 ft, 70 ft, 80 ft and 100 ft lengths
- Maximum continuous length is 450 ft

Part Number/Price

| Part # | H | W | W1 | Length | Price |
|--------|---------|---------|---------|------------------|------------|
| 18799 | 2.56 in | 5.75 in | 0.22 in | Sold by the foot | \$13.00/ft |
| 18800 | 2.56 in | 5.75 in | 0.22 in | 10 ft | \$100.00 |
| 18801 | 2.56 in | 5.75 in | 0.22 in | 11 ft | \$110.00 |
| 18802 | 2.56 in | 5.75 in | 0.22 in | 70 ft | \$795.00 |
| 33219 | 2.56 in | 5.75 in | 0.22 in | 80 ft | \$895.00 |
| 33222 | 2.56 in | 5.75 in | 0.22 in | 100 ft | \$1,125.00 |

Note: Maximum continuous length is 450 ft. Call for price and availability.

T-Strip Molding



Standard Features

T-Strip

- Designed for use in truck scale applications to prevent spillover into the pit
- Impact, tear and weather-resistant SBR rubber
- Web thickness 0.25 in
- Available by the foot: 10 ft, 11 ft, 70 ft, 80 ft and 100 ft lengths
- Maximum continuous length is 450 ft

Part Number/Price

| Part # | H | W | W1 | Length | Price |
|--------|---------|---------|---------|------------------|------------|
| 18736 | 2.00 in | 4.50 in | 0.25 in | Sold by the foot | \$12.00/ft |
| 18776 | 2.00 in | 4.50 in | 0.25 in | 10 ft | \$95.00 |
| 18797 | 2.00 in | 4.50 in | 0.25 in | 11 ft | \$105.00 |
| 18798 | 2.00 in | 4.50 in | 0.25 in | 70 ft | \$695.00 |
| 33223 | 2.00 in | 4.50 in | 0.25 in | 80 ft | \$825.00 |
| 33224 | 2.00 in | 4.50 in | 0.25 in | 100 ft | \$1,025.00 |

Note: Maximum continuous length is 450 ft. Call for price and availability.

Electronic Scale Tickets

Standard Features

Hecon® Printers, EL522 & EL516 - 20266

- Triplicate interleaved
- Size (L × W): 7.875 × 4.25 in (200 × 127 mm)
- Order quantity: 500 per package
- Carbonless

20266

Standard Features

SP2200, SP2000 - 20265

- Triplicate interleaved, perforated and glued on one end
- Size (W × L): 5.5 × 9 in (139.7 × 228.6 mm)
- Order quantity: 500 per package
- Carbonless

20265

Standard Features

Rice Lake Scales - 71630 or 105182

- Duplicate or triplicate
- Size (W × L): 4.25 × 7 in (107 × 177.8 mm)
- Attached at 4.25 side
- Order quantity: 500 per package

Custom (duplicate): Add company name (min. order two packs)

Custom (triplicate): Add company name (min. order two packs)

Carbonless



Standard Features

Blank Scale Ticket - 22263

- Triplicate
- White, canary yellow and pink
- Size (L × W): 5.50 × 4.25 in (140 × 108 mm)
- Attached at 4.25 edge

Custom: Add company name (min. order of 1,000)

Carbonless



Part Number/Price

| Part # | Description | Price |
|--------|---|--------------|
| 20266 | Hecon printers, EL522 & EL516, 500/pack | \$110.40 |
| 20265 | SP2200, SP2000, EL250 & EL500, 500/pack | \$114.00 |
| 71630 | Rice Lake ticket, two part, 500/pack | \$60.00 |
| 105182 | Rice Lake ticket, three part, 500/pack white, canary yellow, pink | \$86.50 |
| 22263 | Blank scale ticket, each | \$25.00 each |

HARDWARE AND ACCESSORIES

Mechanical Scale Tickets

Standard Features

Fairbanks Scales® - 20260

- Carbonless triplicate with 2 in (50.8 mm) tear-off flap
- Size (W × L): 4.75 × 1.875 in (120.7 × 47.6 mm)
- Order quantity: 500 per package

WEIGHED ON A FAIRBANKS SCALES No. _____

Load _____ Date _____

From _____

Gross _____ lbs. To _____

Tare _____ lbs. Address _____

Net _____ lbs. Price _____ Amt. _____

On _____ Off _____ Weigher _____

Form 333A Printed in U.S.A. Received by _____

Standard Features

Howe Scales - 20261

- Carbon triplicate with 2 in (50.8 mm) tear-off flap
- Size (W × L): 5.5 × 1.75 in (139.7 × 44.5 mm)
- Order quantity: 500 per package

Weight obtained by using THE HOWE PATENTED RECORDING BEAM No. _____

From _____ To _____

Gross _____

Tare _____

Net _____

Location _____

Address _____

Date _____

Weight _____

Received by _____

Part Number/Price

| Part # | Description | Price |
|--------|----------------------------|---------|
| 20260 | Fairbanks Scales, 500/pack | \$78.00 |
| 20261 | Howe Scales, 500/pack | \$78.00 |

Create Your Own Custom Ticket



Send us a copy of the existing custom format or drawing of a completely new one. Please specify number of carbon copies, dimensions, colors and text. Minimum order quantity may apply.

Printer Dust Covers



Protect your electronic scales, weight indicators and printers with a scale veil or printer dust cover.

Standard Features

- Tough, flexible transparent vinyl, constructed with heavy-duty stitching
- Loose fit allows for operation of switches or controls through the dust cover
- Available for most types of scale equipment

Part Number/Price

| Part # | Model | Price |
|------------------|----------------------------|---------|
| EPSON® | | |
| 29582 | TM290/295 | \$58.00 |
| 35666 | TM-U200 TM-U220 | \$63.00 |
| 111840 | TM-U590 | \$69.00 |
| Oki-Data® | | |
| 21208 | Oki-Data 184 Turbo Printer | \$65.00 |
| 21226 | Oki-Data 320/390 | \$65.00 |

Custom covers and specials available; consult factory.

Printer Cables



72440



156806 (1m)
156807 (3m)
156808 (5m)

Part Number/Price

| Part # | Description | Price |
|---|---|---------|
| Interface Cables for TicketPress, SP-2200, TM-U295, TM-U590 and Star® Printers | | |
| 15547 | Blunt end, 25-pin D-sub male RS-232 serial interface cable | \$70.00 |
| 15548 | 25-pin D-sub male to 25-pin D-sub male 20 mA serial interface cable (SP2200 only) | \$70.00 |
| 15568 | 25-pin D-sub male to 25-pin D-sub male RS-232 serial interface cable | \$70.00 |
| Consult | Custom 20 mA/RS-232 serial interface cable | \$95.00 |
| Interface Cables for I-Class | | |
| 15547 | Blunt end, 25-pin D-sub male RS-232 serial interface cable | \$70.00 |
| Consult | Custom RS-232 interface cable | \$95.00 |
| Interface Cables for Desktops, GoDEX Models, Zebra, E-4203 and M-4206 | | |
| 41276 | DB9 male RS-232 cable to blunt end | \$77.00 |
| Straight Cable | | |
| 70056 | DB9 male to DB9 female | \$40.00 |
| 50749 | DB9 female to DB9 female | \$60.00 |
| 41279 | DB25 male to DB9 male | \$70.00 |
| 72440 | DB25 male to DB9 female | \$67.00 |
| Null Modem Cable | | |
| 66535 | DB9F to DB9 female, Null modem | \$46.00 |
| 64794 | DB9 male to DB9 female | \$69.00 |
| USB Cable | | |
| 79074 | USB-A (male) to USB-B (male) cable, 6 ft | \$35.00 |
| 156806 | USB-A (male) to USB-A (male) cable, 1 m | \$35.00 |
| 156807 | USB-A (male) to USB-A (male) cable, 3 m | \$50.00 |
| 156808 | USB-A (male) to USB-A (male) cable, 5 m | \$60.00 |
| 156809 | USB-A (male) to USB-B (male) cable, 1 m | \$55.00 |
| 156815 | USB-A (male) to USB-B (male) cable, 3 m | \$55.00 |
| 156811 | USB-A (male) to USB-B (male) cable, 5 m | \$70.00 |
| Ethernet Cable/RJ45 | | |
| 72697 | RJ45 to RJ45, 7 ft | \$40.00 |
| 78860 | RJ45 to RJ45, cross over 7 ft | \$40.00 |
| 75594 | RJ45 to nine-pin female | \$70.00 |
| 156817 | RJ45, 1 m | \$35.00 |
| 156818 | RJ45, 3 m | \$42.00 |
| 156821 | RJ45, 5 m | \$50.00 |
| Misc. Cables and Adapters | | |
| 22436 | Blunt end, nine-pin D-sub female | \$70.00 |
| 130213 | Blunt end DB25 male | \$58.00 |
| 165698 | Female to male gender changer | \$11.25 |
| 119064 | Slimline, Null modem gender changer, DB9 female/female | \$12.50 |
| 130789 | Null modem DB9 M/F | \$14.50 |



156817 (1m)
156818 (3m)
156821 (5m)

HARDWARE AND
ACCESSORIES

Blunt-end cables interface to: UMC444, UMC555, UMC600, IQ700, IQ plus® 310A, IQ plus® 355, IQ plus® 390-DC, IQ plus® 510, IQ plus® 590-DC, IQ plus® 710, IQ plus® 800, and IQ plus® 810, 520 and 920i®

Custom cables are designed to interface with your specific equipment. Please specify equipment model number and connector type. Standard cable length is 5 ft.

Static Brushes



| Part # | Staticmaster Part # | Description | Price |
|--------|---------------------|-----------------------|----------|
| 76669 | 1C200 | Static brush 1 in | \$140.00 |
| 76670 | 1C200R | Replacement cartridge | \$90.00 |



| Part # | Staticmaster Part # | Description | Price |
|--------|---------------------|-----------------------|----------|
| 76671 | 3C500 | Static brush 3 in | \$210.00 |
| 76672 | 3C500R | Replacement cartridge | \$145.00 |

Ionizing Strips



| Part # | Staticmaster Part # | Description | Price |
|--------|---------------------|---|----------|
| 76677 | 1U400 | Ionizing unit 1 × 1 in 500 microcurries | \$250.00 |
| 76678 | 1U200 | Ionizing unit 1 × 1 in 250 microcurries | \$150.00 |
| 76676 | 2U500 | Ionizing unit 1 × 3 in | \$250.00 |

Ionizing Strip Accessories



| Part # | Staticmaster Part # | Description | Price |
|--------|---------------------|-------------------------------------|----------|
| 76679 | BF1 | Ionizer positioner | \$73.00 |
| 76680 | BF2 | Ionizer positioner only - C bracket | \$105.00 |

HARDWARE AND ACCESSORIES

Desiccants



Standard Features

- Packets
- Bagged desiccants to protect your enclosed electronic components from moisture and humidity
- Useful in junction boxes, indicators and all scale electronics

Part Number/Price

| Part # | Description | Price |
|--------|---------------------------|--------|
| 16038 | Mini Pax® 7 g | \$1.22 |
| 16039 | NatraSorb® 20 g | \$2.23 |
| 92240 | Silica gel 1 unit pkg 3 g | \$1.17 |

Industrial Corrosion Inhibitor



Standard Features

- Special chemical combination provides superior protection
- Protects 5 cubic ft/1.4 cubic m of enclosure volume for approximately one year
- Dimensions: (W × H) 2.5 × 1.5 in (64 × 38 mm)

Part Number/Price

| Part # | Description | Price |
|--------|---------------------|---------|
| 16037 | Corrosion inhibitor | \$42.00 |

Crimper and Lead Seals



Standard Features

Crimper

- 5.0 in (127 mm) seal press with two 0.5 in (13 mm) engraving dies
- Chrome finish
- Maximum number of characters that can be engraved on die is 9
- Compound leverage
- Quick delivery on custom dies

Lead Seals

- Heavy-duty seal with galvanized steel wire
- Length 16.0 in (406 mm)

Part Number/Price

| Part # | Description | Price |
|--------|----------------------------------|----------|
| 21111 | Crimper and two die blanks | \$148.00 |
| 15318 | Crimper die blank (replacements) | \$64.00 |
| 15317 | 100 seals/pkg | \$53.00 |

Static Control Table Mat and Floor Mat



An absolute must for every workbench, this kit includes a 3-layer 2 × 4 ft table mat, 4 × 6 ft floor mat, ground cord and adjustable wrist strap. Designed specifically for energized circuit work, the static control table and floor mat provide superior protection against ESD.

Part Number/Price

| Part # | Description | Price |
|--------|--|----------|
| 34265 | Static control table mat and floor mat | \$900.00 |

Static Control Wrist Strap



The single most important personal accessory for protecting ESD sensitive components and circuits, this wrist strap protects against charges from the body. The wrist strap consists of a comfortable elastic cuff or band and a detachable conductive cord for grounding the wrist band.

Part Number/Price

| Part # | Description | Price |
|--------|----------------------------|---------|
| 34263 | Static control wrist strap | \$58.00 |

Static Shielding Bags



This static shield bag offers total ESD protection, whether you're transporting ESD-susceptible products across the room or across the country. The outer layer of the bag consists of an abrasion-resistant polyester, while the antistatic polyethylene inner layer retards triboelectric static charging from inside the bag.

Part Number/Price

| Part # | Description | Price |
|--------|-----------------------------------|-------------|
| 16150 | Static shielding bags, 8 × 10 in | \$1.17 each |
| 16151 | Static shielding bags, 12 × 18 in | \$3.45 each |

Static-Safe Service Kit



Standard Features

- Eliminates static for safe board replacement
- Connects a field service technician and the static-safe work surface to the same ground point
- Harmlessly drains static charges from the body and from any conductive objects placed on the mat
- Folds into a compact unit for transport and storage

Part Number/Price

| Part # | Description | Price |
|--------|-------------------------|----------|
| 32818 | Static-safe service kit | \$206.00 |

Rice Lake's Scale Technician Kits

Take Rice Lake's commitment to customer service into the field. Rice Lake's Scale Technician Kit has everything you need in one convenient backpack to troubleshoot and repair wherever you are.

PN 166205

Technician Tool Kit \$1,050.00

- Rice Lake backpack
- Simulator with vernier
- Digital volt meter
- Communication Kit



PN 166204

Communication Kit \$175.00

- Cinch sack
- Document Kit
- Six-in-one screwdriver
- Small RLWS screwdriver
- Test LEDs
- USB to serial converter
- DB9M to DB9F straight cable
- DB9F to blunt end cable
- DB25M to blunt end cable
- Female to female DB9 null modem adapter
- Female to male DB9 gender changers
- Null modem adapter
- TCP/IP patch cable
- TCP/IP crossover cable



PN 166203

Document Kit \$10.50

- Pinouts for a DB9 and DB25 cable shows both male and female connectors
- Pinouts and color codes for a patch and crossover Ethernet cable
- Recommended maximum cabling distances of RS-232, 20mA, 485 and Ethernet TCP/IP
- Standard ASCII chart in both decimal and hexadecimal
- Links to website to download latest version of Revolution® and iRev® (on CD)
- Link to freeware terminal program download (PUTTY, Hercules, RealTerm, etc.)
- Load cell color wire chart
- Weigh Modules and Vessel Weighing Handbook PN 43918
- Load Cell and Weigh Module Handbook PN 22054



PN 118432

Small Screwdriver \$3.00



Health Scales

TABLE OF CONTENTS

| | |
|---|--|
| RL-330HHD/RL-330HHL 472 <i>Dial Home Health Scale</i> | 250-10-2 493 <i>Bariatric Handrail Scale</i> |
| DHH-10 473 <i>Digital Home Health Scale</i> | 250-10-4 494 <i>Bariatric Handrail Scale</i> |
| RL-MPS 474 <i>Mechanical Physician Scale</i> | RL-MCS 495 <i>Mechanical Chair Scale</i> |
| RL-MPS-10 475 <i>Mechanical Physician Scale</i> | 560-10-1 496 <i>Digital Chair Scale</i> |
| RL-MPS-20 476 <i>Mechanical Physician Scale</i> | 550-10-1 497 <i>Digital Chair Scale</i> |
| RL-MPS-30 477 <i>Mechanical Physician Scale</i> | 350-10-3M 498 <i>Dual-ramp Wheelchair Scale</i> |
| RL-MPS-40 478 <i>Mechanical Physician Scale</i> | 350-10-2 499 <i>Single-ramp Wheelchair Scale</i> |
| RL-MPS-50 479 <i>Mechanical Physician Scale</i> | 350-10-7 500 <i>Single-ramp Wheelchair Platform Scale</i> |
| 150-10-5 480 <i>Digital Physician Scale</i> | 350-10-3 501 <i>Dual-ramp Wheelchair Scale</i> |
| 150-10-6 481 <i>Digital Physician Scale</i> | 350-10-4 502 <i>Dual-ramp Wheelchair Scale</i> |
| 150-10-7 482 <i>Digital Physician Scale</i> | 350-10-8 503 <i>Dual-ramp Wheelchair Platform Scale</i> |
| 150-10-8 483 <i>Digital Physician Scale</i> | RL-350-5 504 <i>Single-ramp Portable Bariatric Wheelchair Scale</i> |
| RL-WMS-10 484 <i>Wall Mount Stadiometer</i> | RL-350-6 505 <i>Dual-ramp Portable Bariatric Wheelchair Scale</i> |
| RL-MIS 485 <i>Mechanical Baby Scale</i> | SB-1150 Summit™ 506 <i>Bariatric Wheelchair Scale</i> |
| RL-MIS-20 486 <i>Mechanical Baby Scale</i> | SD-1150-WP 507 <i>Dialysis Wheelchair Scale Pit Frame Concrete Details</i> |
| Suspended Infant Scale 487 <i>Digital Baby Scale</i> | 350-10-8S 509 <i>Digital Stretcher Scale</i> |
| RL-DBS 488 <i>Digital Baby Scale</i> | |
| RL-DBS-2 489 <i>Digital Baby Scale</i> | |
| 650-10-1 490 <i>Neonatal Scale</i> | |
| RL-PCT-10 491 <i>Pediatric Circumference Tape</i> | |
| 260-10-1 492 <i>Bariatric Handrail Scale</i> | |

Product names, logos, brands and other trademarks featured or referred to within this publication are the property of their respective trademark holders.

RL-330HHD/RL-330HHL

Dial Home Health Scale

HEALTH SCALES



Model RL-330HHD



Model RL-330HHL

Standard Features

- Durable steel base and platform
- Nonslip mat
- Large dial display
- Units of measure: kg (RL-330HHD); lb (RL-330HHL)
- Colorful markers to track weight values

Specifications

Capacity:

RL-330HHD: 330 × 1 lb
 RL-330HHL: 330 × 1 lb (150 × 0.5 kg)

Warranty:

One-year limited

Part Number/Price

| Part # | Model # | Capacity | Price |
|--------|-----------|---------------------------------------|---------|
| 110592 | RL-330HHL | 330 × 1 lb (lb markings only) | \$68.00 |
| 113500 | RL-330HHD | 330 × 1 lb (150 × 0.5 kg) (lb and kg) | \$68.00 |

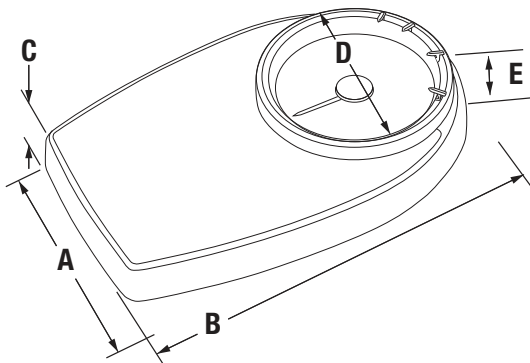
Shipping Weight

| Part # | Model # | L × W × H | Package Wgt. (lb) | Dim Wgt. (lb) | Shipping Wgt. (lb) |
|--------|-----------|----------------|-------------------|---------------|--------------------|
| 110592 | RL-330HHL | 19 × 12 × 5 in | 9 | 9 | 9 |
| 113500 | RL-330HHD | 19 × 12 × 5 in | 9 | 9 | 9 |

Dimensions

| | Inches | Centimeters |
|---|--------|-------------|
| A | 11.20 | 28.5 |
| B | 16.90 | 43.0 |
| C | 2.50 | 6.4 |
| D | 7.90 | 20.1 |
| E | 0.39 | 8.3 |

E: (height includes plastic cover)





Model DHH-10

Standard Features

- 8 mm tempered safety glass weighing surface
- Low battery indication
- Display lb or kg
- Large LCD display

Specifications

- Capacity:**
440 × 0.2 lb (200 × 0.1 kg)
- Dimensions:**
(L × W × H)
11.8 × 15.4 × 1.0 in
- Battery Type:**
Two AAA alkaline batteries (included)
- Display:**
Digit size: 1.75 in
- Warranty:**
One-year limited
- Approvals:**
CE Approved

Approvals



Part Number/Price

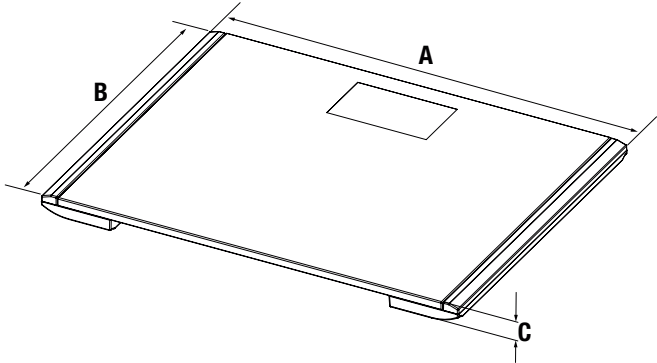
| Part # | Model # | Capacity | Price |
|--------|---------|-----------------------------|---------|
| 201124 | DHH-10 | 440 × 0.2 lb (200 × 0.1 kg) | \$68.00 |

Shipping Weight

| Part # | Model # | L × W × H | Package Wgt. (lb) | Dim Wgt. (lb) | Shipping Wgt. (lb) |
|---------------|---------|----------------|-------------------|---------------|--------------------|
| Single Carton | | | | | |
| 201124 | DHH-10 | 17 × 13 × 2 in | 6.5 | 3.0 | 6.5 |

Dimensions

| | Inches | Centimeters |
|---|--------|-------------|
| A | 15.40 | 39.0 |
| B | 11.80 | 30.0 |
| C | 1.00 | 2.5 |



RL-MPS

Mechanical Physician Scale

HEALTH SCALES



Standard Features

- Sturdy, enameled steel body
- Painted beam
- Rugged scale understructure
- Durable wheels for easy transport
- Easy operation with two sliding weights
- Removable slip-resistant scale base cover
- Aluminum height rod

Specifications

Capacity:

440 lb × 4 oz (200 kg × 100 g)

Platform Dimensions:

(L × W × H)
14.75 × 10.75 × 4.13 in

Height Rod:

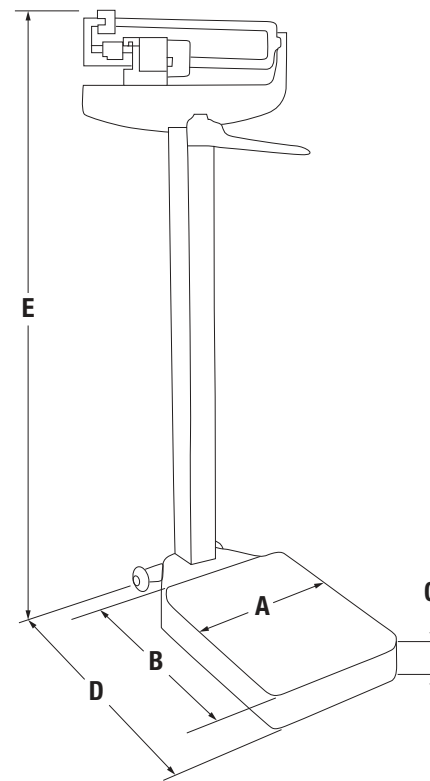
Measures 24 to 84 in
(60 to 212 cm)

Height Division:

0.125 in (0.1 cm)

Warranty:

Two-year limited



Part Number/Price

| Part # | Model # | Capacity | Price |
|--------|---------|--------------------------------|----------|
| 102613 | RL-MPS | 440 lb × 4 oz (200 kg × 100 g) | \$345.00 |

Shipping Weight

| Part # | Model # | L × W × H | Package Wgt. (lb) | Dim Wgt. (lb) | Shipping Wgt. (lb) |
|--------|---------|----------------|-------------------|---------------|--------------------|
| 102613 | RL-MPS | 60 × 21 × 7 in | 42 | 64 | 64 |

Dimensions

| | Inches | Centimeters |
|---|--------|-------------|
| A | 10.80 | 27.4 |
| B | 14.80 | 37.6 |
| C | 4.10 | 10.4 |
| D | 22.30 | 56.6 |
| E | 58.50 | 148.6 |

RL-MPS-10

Mechanical Physician Scale

HEALTH SCALES



LB Only

Standard Features

- Sturdy, enameled steel body
- Painted beam
- Rugged scale understructure
- Durable wheels for easy transport
- Easy operation with two sliding weights
- Removable slip-resistant scale base cover
- Aluminum height rod

Specifications

Capacity:

450 lb × 4 oz

Platform Dimensions:

(L × W × H)

14.75 × 10.75 × 4.13 in

Height Rod:

Measures 24 to 84 in

Height Division:

0.125 in

Warranty:

Two-year limited

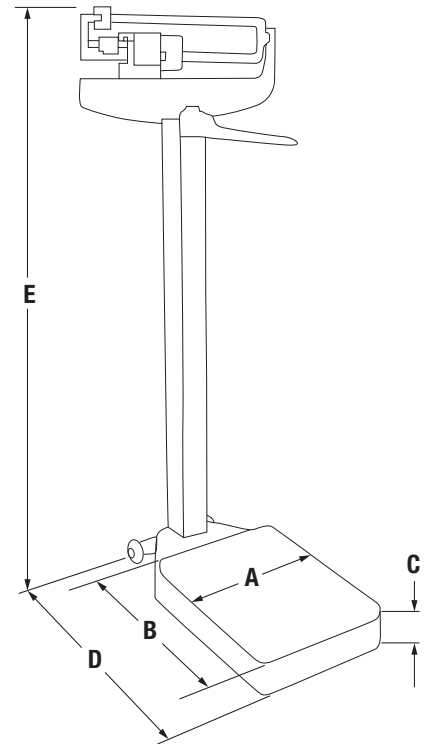
Model RL-MPS-10

Part Number/Price

| Part # | Model # | Capacity | Price |
|--------|-----------|---------------|----------|
| 124223 | RL-MPS-10 | 450 lb × 4 oz | \$345.00 |

Shipping Weight

| Part # | Model # | L × W × H | Package Wgt. (lb) | Dim Wgt. (lb) | Shipping Wgt. (lb) |
|--------|-----------|----------------|-------------------|---------------|--------------------|
| 124223 | RL-MPS-10 | 60 × 21 × 7 in | 42 | 64 | 64 |



Dimensions

| | Inches | Centimeters |
|---|--------|-------------|
| A | 10.80 | 27.4 |
| B | 14.80 | 37.6 |
| C | 4.10 | 10.4 |
| D | 22.30 | 56.6 |
| E | 58.50 | 148.6 |

RL-MPS-20

Mechanical Physician Scale

HEALTH SCALES



Standard Features

- Sturdy, enameled steel body
- Painted beam
- Rugged scale understructure
- Easy operation with two sliding weights
- Removable slip-resistant scale base cover

Specifications

Capacity:

440 lb × 4 oz (200 kg × 100 g)

Platform Dimensions:

(L × W × H)
14.75 × 10.75 × 4.13 in

Warranty:

Two-year limited

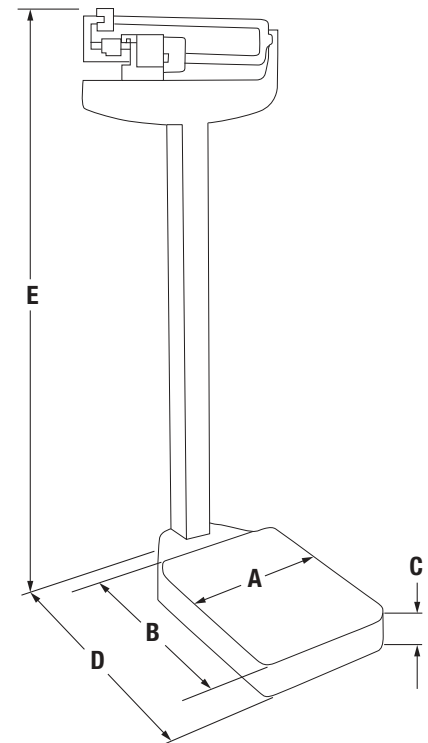
Model RL-MPS-20

Part Number/Price

| Part # | Model # | Capacity | Price |
|--------|-----------|--------------------------------|----------|
| 124222 | RL-MPS-20 | 440 lb × 4 oz (200 kg × 100 g) | \$330.00 |

Shipping Weight

| Part # | Model # | L × W × H | Package Wgt. (lb) | Dim Wgt. (lb) | Shipping Wgt. (lb) |
|--------|-----------|----------------|-------------------|---------------|--------------------|
| 124222 | RL-MPS-20 | 60 × 21 × 7 in | 36 | 64 | 64 |



Dimensions

| | Inches | Centimeters |
|---|--------|-------------|
| A | 10.80 | 27.4 |
| B | 14.80 | 37.6 |
| C | 4.10 | 10.4 |
| D | 22.30 | 56.6 |
| E | 58.50 | 148.6 |

RL-MPS-30

Mechanical Physician Scale

HEALTH SCALES



Standard Features

- Sturdy, enameled steel body
- Painted beam
- Rugged scale understructure
- Handpost
- Durable wheels for easy transport
- Easy operation with two sliding weights
- Removable slip-resistant scale base cover
- Aluminum height rod

Specifications

Capacity:

180 kg x 100 g

Platform Dimensions:

(L x W x H)

37.5 x 27.5 x 10.5 cm

Height Rod:

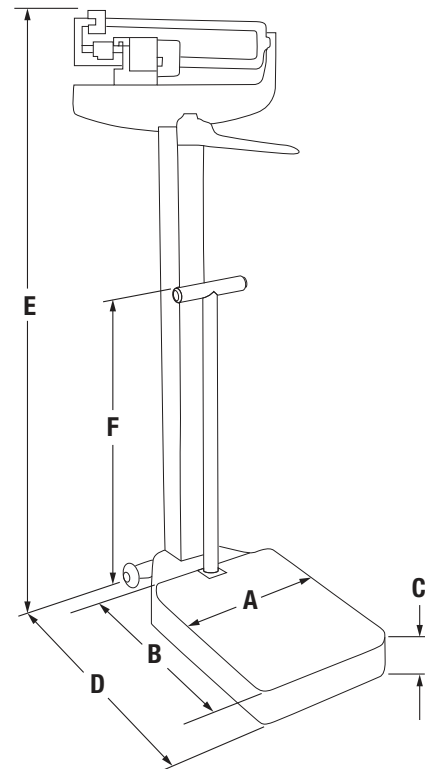
Measures 60 to 212 cm

Height Division:

0.1 cm

Warranty:

Two-year limited



Part Number/Price

| Part # | Model # | Capacity | Price |
|--------|-----------|----------------|----------|
| 132703 | RL-MPS-30 | 180 kg x 100 g | \$385.00 |

Shipping Weight

| Part # | Model # | L x W x H | Package Wgt. (lb) | Dim Wgt. (lb) | Shipping Wgt. (lb) |
|--------|-----------|----------------|-------------------|---------------|--------------------|
| 132703 | RL-MPS-30 | 60 x 21 x 7 in | 40 | 64 | 64 |

Dimensions

| | Inches | Centimeters |
|---|--------|-------------|
| A | 10.80 | 27.4 |
| B | 14.80 | 37.6 |
| C | 4.10 | 10.4 |
| D | 22.30 | 56.6 |
| E | 58.50 | 148.6 |
| F | 31.50 | 80.0 |

RL-MPS-40

Mechanical Physician Scale

HEALTH SCALES



Model RL-MPS-40



Standard Features

- Dual-read capacity and height rod
- Sturdy enameled steel body
- Painted beam designed to hold counterpoise weights
- Rugged scale understructure
- Removable slip-resistant plastic scale base cover
- Retractable aluminum height rod
- Easy operation with two sliding weights and two counterpoise weights (included)
- Rear wheels for portability ease
- Aluminum height rod

Specifications

Capacity:

490 lb × 4 oz (220 kg × 100 g)

Platform Dimensions:

(L × W × H)

14.75 × 10.75 × 4.13 in

Height Rod:

Measures 24 to 84 in

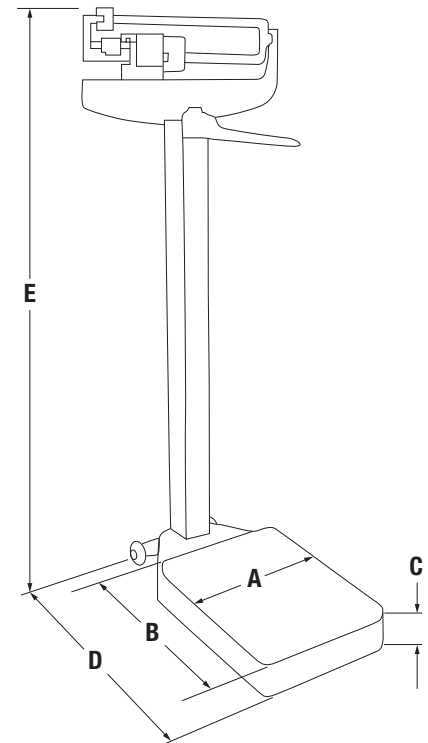
(60 to 212 cm)

Height Division:

0.125 in (0.1 cm)

Warranty:

Two-year limited



Part Number/Price

| Part # | Model # | Capacity | Price |
|--------|-----------|--------------------------------|----------|
| 185289 | RL-MPS-40 | 490 lb × 4 oz (220 kg × 100 g) | \$375.00 |

Shipping Weight

| Part # | Model # | L × W × H | Package Wgt. (lb) | Dim Wgt. (lb) | Shipping Wgt. (lb) |
|--------|-----------|----------------|-------------------|---------------|--------------------|
| 185289 | RL-MPS-40 | 60 × 21 × 7 in | 44 | 64 | 64 |

Dimensions

| | Inches | Centimeters |
|---|--------|-------------|
| A | 10.80 | 27.4 |
| B | 14.80 | 37.6 |
| C | 4.10 | 10.4 |
| D | 22.30 | 56.6 |
| E | 58.50 | 148.6 |

RL-MPS-50

Mechanical Physician Scale

HEALTH SCALES



Model RL-MPS-50



Standard Features

- Ease of transport with rear wheels
- Aluminum height rod included
- Poise travels free on weigh beam with simple finger tap
- Easy-to-read weigh beam's color-coded black inset shows lb markings, white inset shows kg markings. The beam can be rotated to the desired unit of measure.
- Aluminum height rod

Specifications

Capacity:

450 lb × 4 oz (200 kg × 100 g)

Platform Dimensions:

(L × W × H)

14.96 × 11.02 × 4.21 in

Height Rod:

Measures 29.50 to 78.75 in

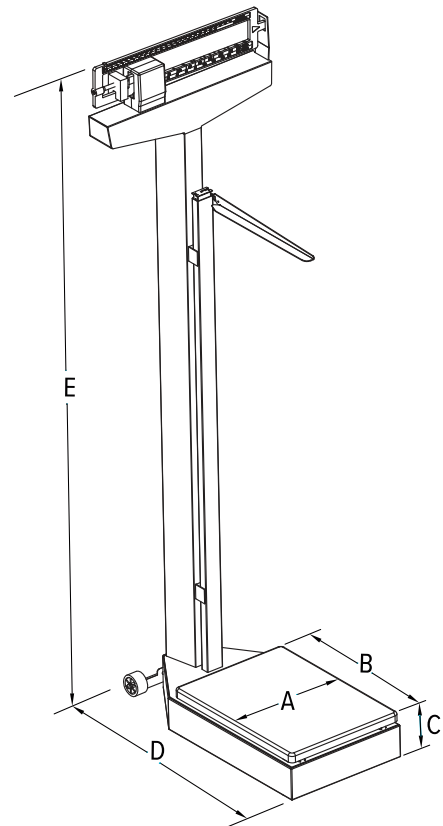
(75 to 200 cm)

Height Division:

0.25 in (5 mm)

Warranty:

Two-year limited



Part Number/Price

| Part # | Model # | Capacity | Price |
|--------|-----------|--------------------------------|----------|
| 195264 | RL-MPS-50 | 450 lb × 4 oz (200 kg × 100 g) | \$345.00 |

Shipping Weight

| Part # | Model # | L × W × H | Package Wgt. (lb) | Dim Wgt. (lb) | Shipping Wgt. (lb) |
|--------|-----------|----------------|-------------------|---------------|--------------------|
| 195264 | RL-MPS-50 | 60 × 21 × 5 in | 39 | 46 | 46 |



KG



LB

Dimensions

| | Inches | Centimeters |
|---|--------|-------------|
| A | 11.00 | 28.9 |
| B | 15.00 | 38.1 |
| C | 4.20 | 10.7 |
| D | 22.20 | 56.4 |
| E | 58.90 | 149.6 |

150-10-5

Digital Physician Scale

HEALTH SCALES



Model 150-10-5



Standard Features

- Large, stable scale base
- Integrated height rod
- Non-slip rubber mat, removable for cleaning
- Rubber wheels for easy transport
- Large 1-inch push-button LCD display
- Antimicrobial keypad
- Unit of measure toggle or locking
- Motiontrap™ movement compensation technology
- EMR capable
- Serial and USB data communication ports
- Bluetooth® BLE 4.0 available, part number selectable
- Hold function
- Zero function
- BMI (body mass index) function
- Factory calibrated

Specifications

Capacity:

550 × 0.2 lb (250 × 0.1 kg)

Platform Dimensions:

(L × W × H)
14.5 × 14.5 × 3.0 in

Height Rod:

Measures from 27.50 to 82.00 in
(70 to 208 cm)

Power:

9 VDC, provided by six AA alkaline batteries (included) or AC adapter (optional)

Battery Type:

Six AA alkaline (included)

Battery Use:

25 hours continuous use with batteries
Automatic power-off can be configured

Display:

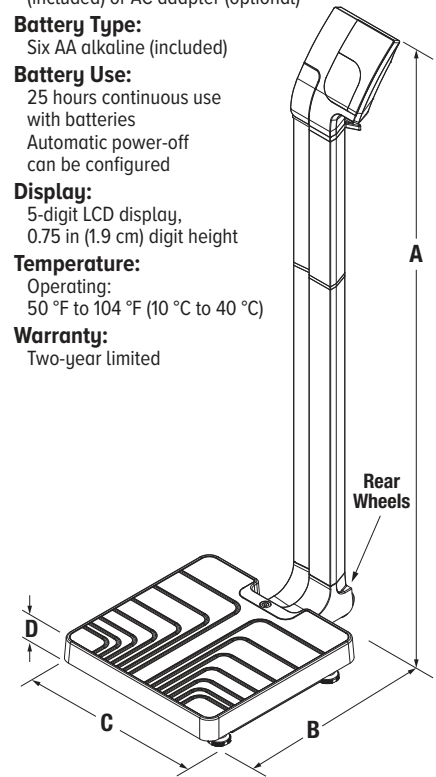
5-digit LCD display,
0.75 in (1.9 cm) digit height

Temperature:

Operating:
50 °F to 104 °F (10 °C to 40 °C)

Warranty:

Two-year limited



Approvals



Part Number/Price

| Part # | Model # | Capacity | Price |
|--------|-------------|---|----------|
| 119113 | 150-10-5 | 550 × 0.2 lb (250 × 0.1 kg) with USB | \$630.00 |
| 194726 | 150-10-5BLE | 550 × 0.2 lb (250 × 0.1 kg) with Bluetooth® BLE 4.0 | \$865.00 |

Shipping Weight

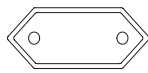
| Part # | Model # | L × W × H | Package Wgt. (lb) | Dim Wgt. (lb) | Shipping Wgt. (lb) |
|--------|-------------|----------------|-------------------|---------------|--------------------|
| 119113 | 150-10-5 | 30 × 18 × 9 in | 26 | 35 | 35 |
| 194726 | 150-10-5BLE | 30 × 18 × 9 in | 26 | 35 | 35 |

Options/Accessories

| Part # | Description | Price |
|-----------|--|----------|
| 115655 † | 9 VDC adapter, 120 V/230 V auto switching c-MET medical grade power supply | \$43.00 |
| 133077 † | 9 VDC adapter, 120 V/230 V auto switching | \$30.00 |
| 102508 †† | 9 VDC adapter, 230 V | \$30.00 |
| 81076 | Epson TM-U220 tape printer | \$445.00 |
| 186830 | Printer cable, 25-pin D-Sub male to RJ-45, 6 ft | \$69.00 |



† NEMA 1-15 Plug



†† CEE 7/16 Plug

Dimensions

| | Inches | Centimeters |
|---|--------|-------------|
| A | 54.00 | 137.2 |
| B | 22.40 | 57.0 |
| C | 14.70 | 37.5 |
| D | 3.00 | 7.6 |



Standard Features

- Large, stable scale base
- Rubber wheels for easy transport
- Non-slip rubber mat, removable for cleaning
- Large 1-inch push-button LCD display
- Antimicrobial keypad
- Unit of measure toggle or locking
- Motiontrap™ movement compensation technology
- EMR capable
- Serial and USB data communication ports
- Bluetooth® BLE 4.0 available, part number selectable
- Hold function
- Zero function
- BMI (body mass index) function
- Factory calibrated

Specifications

Capacity:

550 × 0.2 lb (250 × 0.1 kg)

Platform Dimensions:

(L × W × H)
14.5 × 14.5 × 3.0 in

Power:

9 VDC, provided by six AA alkaline batteries (included) or AC adapter (optional)

Battery Type:

Six AA alkaline (included)

Battery Use:

25 hours continuous use with batteries
Automatic power-off can be configured

Display:

5-digit LCD display,
0.75 in (1.9 cm) digit height

Temperature:

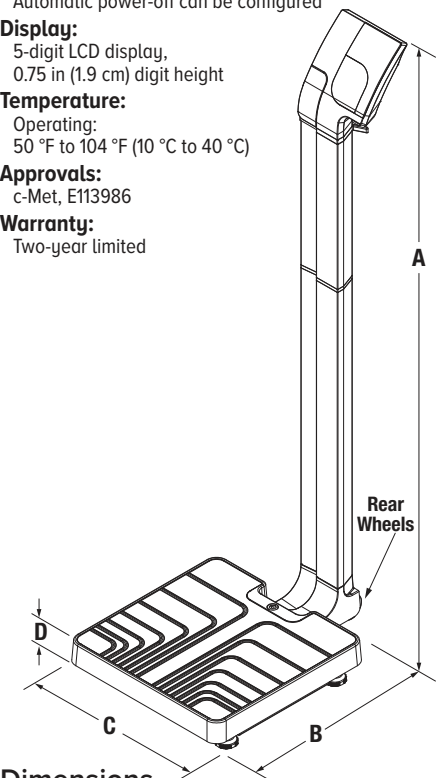
Operating:
50 °F to 104 °F (10 °C to 40 °C)

Approvals:

c-Met, E113986

Warranty:

Two-year limited



Dimensions

| | Inches | Centimeters |
|---|--------|-------------|
| A | 48.40 | 123.0 |
| B | 22.40 | 57.0 |
| C | 14.70 | 37.5 |
| D | 3.00 | 7.6 |

Approvals



Part Number/Price

| Part # | Model # | Capacity | Price |
|--------|-------------|---|----------|
| 161786 | 150-10-6 | 550 × 0.2 lb (250 × 0.1 kg) with USB | \$610.00 |
| 194732 | 150-10-6BLE | 550 × 0.2 lb (250 × 0.1 kg) with Bluetooth® BLE 4.0 | \$845.00 |

Shipping Weight

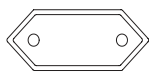
| Part # | Model # | L × W × H | Package Wgt. (lb) | Dim Wgt. (lb) | Shipping Wgt. (lb) |
|--------|-------------|----------------|-------------------|---------------|--------------------|
| 161786 | 150-10-6 | 30 × 19 × 9 in | 25 | 37 | 37 |
| 194732 | 150-10-6BLE | 30 × 19 × 9 in | 25 | 37 | 37 |

Options/Accessories

| Part # | Description | Price |
|-----------|--|----------|
| 115655 † | 9 VDC adapter, 120 V/230 V auto switching c-MET medical grade power supply | \$43.00 |
| 133077 † | 9 VDC adapter, 120 V/230 V auto switching | \$30.00 |
| 102508 †† | 9 VDC adapter, 230 V | \$30.00 |
| 81076 | Epson TM-U220 tape printer | \$445.00 |
| 186830 | Printer cable, 25-pin D-Sub male to RJ-45, 6 ft | \$69.00 |



† NEMA 1-15 Plug



†† CEE 7/16 Plug

150-10-7

Digital Physician Scale

HEALTH SCALES



Model 150-10-7

Approvals



Part Number/Price

| Part # | Model # | Capacity | Price |
|--------|-------------|---|----------|
| 121304 | 150-10-7 | 550 × 0.2 lb (250 × 0.1 kg) with USB | \$490.00 |
| 194728 | 150-10-7BLE | 550 × 0.2 lb (250 × 0.1 kg) with Bluetooth® BLE 4.0 | \$725.00 |

Shipping Weight

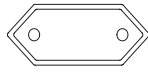
| Part # | Model # | L × W × H | Package Wgt. (lb) | Dim Wgt. (lb) | Shipping Wgt. (lb) |
|--------|-------------|----------------|-------------------|---------------|--------------------|
| 121304 | 150-10-7 | 25 × 18 × 6 in | 17 | 20 | 20 |
| 194728 | 150-10-7BLE | 25 × 18 × 6 in | 17 | 20 | 20 |

Options/Accessories

| Part # | Description | Price |
|-----------|--|----------|
| 102508 †† | 9 VDC adapter, 230 V | \$30.00 |
| 115655 † | 9 VDC adapter, 120 V/230 V auto switching c-MET medical grade power supply | \$43.00 |
| 133077 † | 9 VDC adapter, 120 V/230V auto switching | \$30.00 |
| 107445 | Carrying case | \$92.00 |
| 81076 | Epson TM-U220 tape printer | \$445.00 |
| 186830 | Printer cable, 25-pin D-Sub male to RJ-45, 6 ft | \$69.00 |



† NEMA 1-15 Plug



†† CEE 7/16 Plug

Standard Features

- Large, stable scale base
- Non-slip rubber mat, removable for cleaning
- Large 1-inch push-button LCD display
- Antimicrobial keypad
- Unit of measure toggle or locking
- Motiontrap™ movement compensation technology
- EMR capable
- Serial and USB data communication ports
- Bluetooth® BLE 4.0 available, part number selectable
- Hold function
- Zero function
- BMI (body mass index) function
- Factory calibrated

Specifications

Capacity:

550 × 0.2 lb (250 × 0.1 kg)

Platform Dimensions:

(L × W × H)
14.5 × 14.5 × 3 in

Power:

9 VDC, provided by six AA alkaline batteries (included) or AC adapter (optional)

Battery Type:

Six AA alkaline (included)

Battery Use:

25 hours continuous use with batteries
Automatic power-off can be configured

Display:

5-digit LCD display, 0.75 in (1.9 cm) digit height

Cable Length:

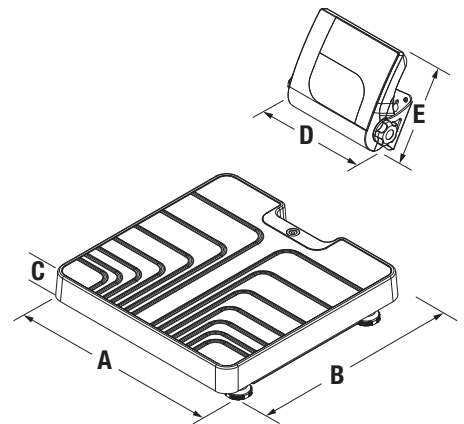
6 ft (1.8 m) cable between scale base and indicator

Temperature:

Operating:
50 °F to 104 °F (10 °C to 40 °C)

Warranty:

Two-year limited



Dimensions

| | Inches | Centimeters |
|---|--------|-------------|
| A | 14.70 | 37.5 |
| B | 14.70 | 37.5 |
| C | 3.00 | 7.6 |
| D | 7.80 | 20.0 |
| E | 6.70 | 17.0 |



Model 150-10-8

Standard Features

- Large, stable scale base
- Non-slip rubber mat, removable for cleaning
- Large 1-inch push-button LCD display
- Antimicrobial keypad
- Unit of measure toggle or locking
- Motiontrap™ movement compensation technology
- EMR capable
- USB or Bluetooth® BLE 4.0 available, part number selectable
- Hold function
- Zero function
- BMI (body mass index) function
- Factory calibrated

Specifications

Capacity:

550 × 0.2 lb (250 × 0.1 kg)

Platform Dimensions:

(L × W × H)

14.5 × 14.5 × 3 in

Power:

9 VDC, provided by six AA alkaline batteries (included) or AC adapter (optional)

Battery Type:

Six AA alkaline (included)

Battery Use:

25 hours continuous use with batteries
Automatic power-off can be configured

Temperature:

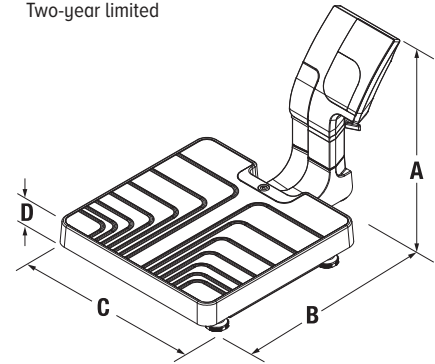
Operating:
50 °F to 104 °F (10 °C to 40 °C)

Display:

5-digit LCD display, 0.75 in (1.9 cm) digit height

Warranty:

Two-year limited



Part Number/Price

| Part # | Model # | Capacity | Price |
|--------|-------------|---|----------|
| 224055 | 150-10-8 | 550 × 0.2 lb (250 × 0.1 kg) with USB | \$510.00 |
| 224056 | 150-10-8BLE | 550 × 0.2 lb (250 × 0.1 kg) with Bluetooth® BLE 4.0 | \$745.00 |

Shipping Weight

| Part # | Model # | L × W × H | Package Wgt. (lb) | Dim Wgt. (lb) | Shipping Wgt. (lb) |
|--------|-------------|-----------------------|-------------------|---------------|--------------------|
| 224055 | 150-10-8 | 12.7 × 22.4 × 14.7 in | 25 | 37 | 37 |
| 224056 | 150-10-8BLE | 12.7 × 22.4 × 14.7 in | 25 | 37 | 37 |

Options/Accessories

| Part # | Description | Price |
|-----------|--|----------|
| 115655 † | 9 VDC adapter, 120 V/230 V auto switching c-MET medical grade power supply | \$43.00 |
| 133077 † | 9 VDC adapter, 120 V/230 V auto switching | \$30.00 |
| 102508 †† | 9 VDC adapter, 230 V | \$30.00 |
| 81076 | Epson TM-U220 tape printer | \$445.00 |
| 186830 | Printer cable, 25-pin D-Sub male to RJ-45, 6 ft | \$69.00 |



† NEMA 1-15 Plug



†† CEE 7/16 Plug

Dimensions

| | Inches | Centimeters |
|---|--------|-------------|
| A | 12.70 | 32.3 |
| B | 22.40 | 57.0 |
| C | 14.70 | 37.5 |
| D | 3.00 | 7.6 |

RL-WMS-10

Wall Mount Stadiometer

HEALTH SCALES



Standard Features

- Aluminum construction
- Folding headpiece makes the product compact when not in use
- Measures both inches and centimeters
- Hardware included for mounting to metal, wood or drywall walls

Specifications

Measurement Range:

23 to 82 in (60 to 210 cm)

Height Divisions:

1/16 in (1 mm)

Warranty:

One-year limited



Part Number/Price

| Part # | Model # | Measuring Range × Graduation Length | Price |
|---------------|-----------|--|----------|
| Single Carton | | | |
| 206553 | RL-WMS-10 | 23 to 82 × 1/16 in (60 to 120 cm × 1 mm) | \$103.00 |



Standard Features

- Painted beam
- Sturdy, enameled steel body
- Easy-to-clean ABS plastic tray
- Dual-read capacity; lb and kg
- Built-in measuring tape

Specifications

Capacity:
135 lb × 1 oz (62 kg × 20 g)

Measuring Tape:
Measures 0 to 23 in
(0 to 58 cm)

Warranty:
Two-year limited

Part Number/Price

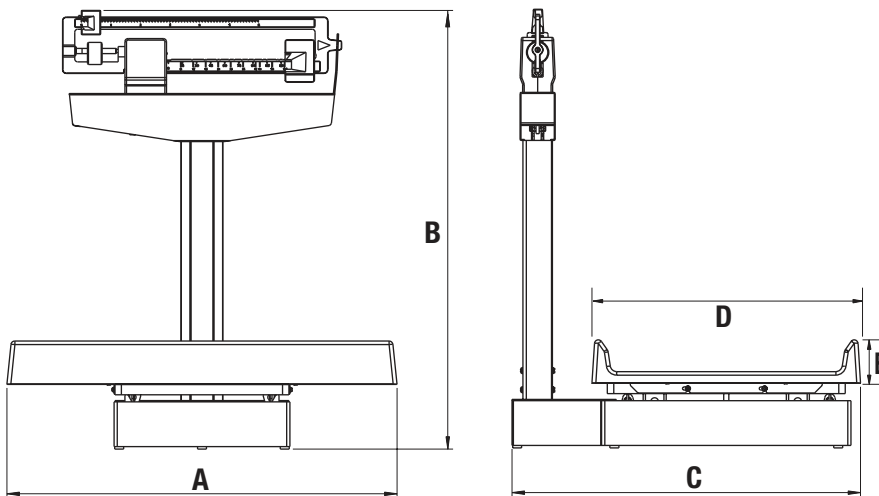
| Part # | Model # | Capacity | Price |
|--------|---------|------------------------------|----------|
| 131470 | RL-MIS | 135 lb × 1 oz (62 kg × 20 g) | \$370.00 |

Shipping Weight

| Part # | Model # | L × W × H | Package Wgt. (lb) | Dim Wgt. (lb) | Shipping Wgt. (lb) |
|--------|---------|-----------------|-------------------|---------------|--------------------|
| 131470 | RL-MIS | 28 × 20 × 14 in | 30 | 57 | 57 |

Dimensions

| | Inches | Centimeters | | Inches | Centimeters |
|---|--------|-------------|---|--------|-------------|
| A | 24.00 | 61.0 | D | 16.00 | 41 |
| B | 27.00 | 68.6 | E | 3.00 | 7.6 |
| C | 21.50 | 54.5 | | | |



RL-MIS-20

Mechanical Baby Scale

HEALTH SCALES



KG Only

Standard Features

- Painted beam
- Sturdy, enameled steel body
- Easy-to-clean ABS plastic tray
- Unit of measure: kg
- Built-in measuring tape

Specifications

Capacity:

70 kg × 20 g

Measuring Tape:

0 to 58 cm

Warranty:

Two-year limited

Part Number/Price

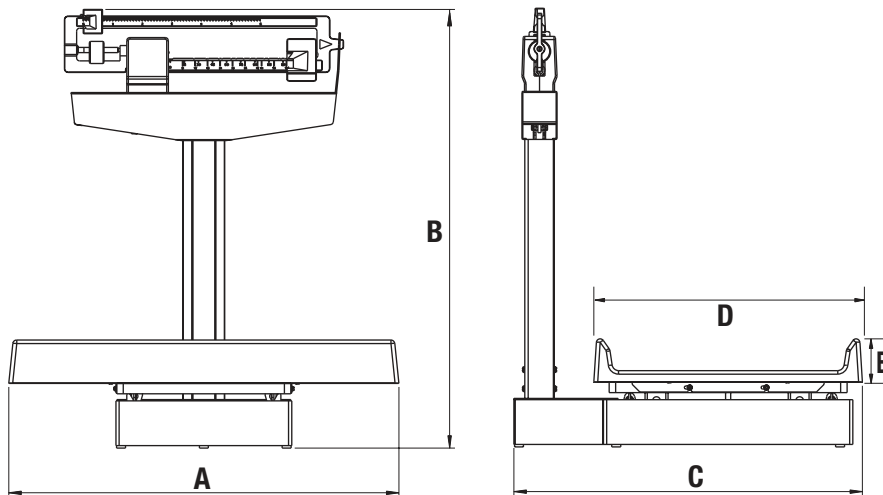
| Part # | Model # | Capacity | Price |
|--------|-----------|--------------|----------|
| 131471 | RL-MIS-20 | 70 kg × 20 g | \$370.00 |

Shipping Weight

| Part # | Model # | L × W × H | Package Wgt. (lb) | Dim Wgt. (lb) | Shipping Wgt. (lb) |
|--------|-----------|-----------------|-------------------|---------------|--------------------|
| 131471 | RL-MIS-20 | 28 × 20 × 14 in | 30 | 57 | 57 |

Dimensions

| | Centimeters | | Centimeters |
|---|-------------|---|-------------|
| A | 61.0 | D | 41 |
| B | 68.6 | E | 7.6 |
| C | 54.5 | | |



Suspended Infant Scale

Digital Baby Scale

HEALTH SCALES

Standard Features

- Hold function
- Units of measure: lb/lb-oz/kg
- Adjustable automatic shut-off
- Ergonomic handheld design
- Battery operated, two AA batteries (included)
- Carrying case and top s-hook (included)
- Captured lower hook, removable upper hook (both hooks included)

Specifications

Capacity:

OS-10:
22 lb × 0.02 lb
22 lb × 0.25 oz
10 kg × 0.01 kg

OS-25:
55 lb × 0.05 lb
55 lb × 0.5 oz
25 kg × 0.02 kg

OS-45:
99 lb × 0.1 lb
99 lb × 1 oz
45 kg × 0.05 kg

Power:

Two AA batteries (included)

Temperature:

Operating:
32 °F to 104 °F (0 °C to 40 °C)

Warranty:

One-year limited

Approvals:

CE Approved



Approvals



Part Number/Price

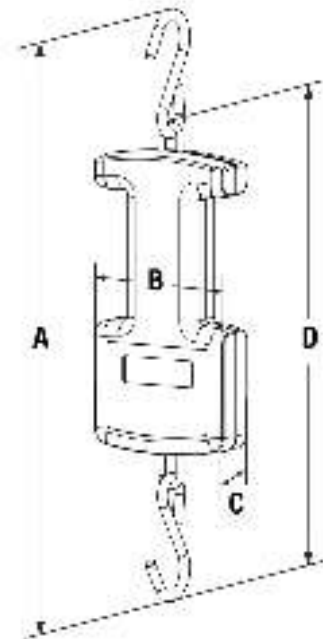
| Part # | Model | Capacity | Est. Weight | Price |
|--------|-------|--|-------------|---------|
| 130292 | OS-10 | 10 × 0.01 kg (22 × 0.02 lb) (22 lb × 1/4 oz) | 1.25 lb | \$95.00 |
| 130293 | OS-25 | 25 × 0.02 kg (55 × 0.05 lb) (55 lb × 1/2 oz) | 1.25 lb | \$95.00 |
| 130294 | OS-45 | 45 × 0.05 kg (99 × 0.1 lb) (99 lb × 1 oz) | 1.25 lb | \$95.00 |

Options/Accessories

| Part # | Description | Price |
|--------|---|--------|
| 141444 | Suspended pediatric sling seat trousers | \$6.00 |



Suspended sling seat



Dimensions

| | Inches | Centimeters |
|---|--------|-------------|
| A | 14.30 | 36.3 |
| B | 3.60 | 9.2 |
| C | 1.30 | 3.2 |
| D | 11.60 | 29.4 |

RL-DBS

Digital Baby Scale

HEALTH SCALES



Model RL-DBS

Standard Features

- Large 1-inch LCD display
- Unit of measure locking
- Recall function to view last weight
- Automatic shut-off for long battery life
- Built-in measuring tape
- Optional carrying case

Specifications

Capacity:

44 lb × 0.5 oz (20 kg × 10 g)

Power:

Four AA alkaline batteries (included) or AC adapter (included)

Battery Type:

Four AA alkaline (included)

Measuring Tape:

0 to 22.5 in (0 to 57 cm)

Approvals:

AC adapter: cULus

Warranty:

Two-year limited

Part Number/Price

| Part # | Model # | Capacity | Price |
|--------|---------|---|----------|
| 107423 | RL-DBS | 44 lb × 0.5 oz (20 kg × 10 g), includes 120 VAC adapter | \$159.00 |
| 112571 | RL-DBS | 44 lb × 0.5 oz (20 kg × 10 g), includes 230 VAC adapter | \$159.00 |

Shipping Weight

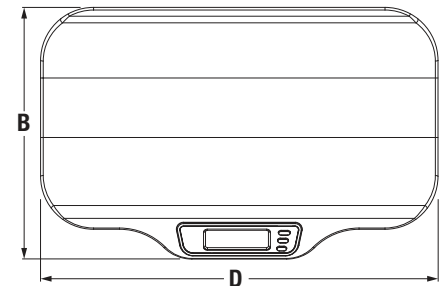
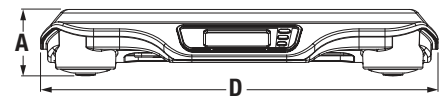
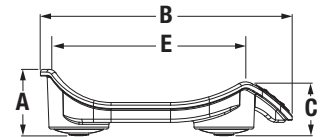
| Part # | Model # | L × W × H | Package Wgt. (lb) | Dim Wgt. (lb) | Shipping Wgt. (lb) |
|--------|--------------|----------------|-------------------|---------------|--------------------|
| 107423 | RL-DBS 120 V | 27 × 18 × 7 in | 10 | 21 | 21 |
| 112571 | RL-DBS 230 V | 27 × 18 × 7 in | 10 | 21 | 21 |

Options/Accessories

| Part # | Description | Price |
|--------|---------------|---------|
| 112570 | Carrying case | \$56.00 |



Optional Transport/Carrying Case



Dimensions

| | Inches | Centimeters |
|---|--------|-------------|
| A | 3.90 | 10.0 |
| B | 15.00 | 38.0 |
| C | 3.10 | 7.9 |
| D | 23.60 | 60.0 |
| E | 11.00 | 27.9 |

RL-DBS-2

Digital Baby Scale



Standard Features

- Large 1-inch LCD display
- Dual-range capacity for increased precision
- Accuracy within 5 g
- Unit of measure locking
- Recall function to view last weight
- Automatic shut-off for long battery life
- Built-in measuring tape
- Optional carrying case

Specifications

Capacity:

- Range 1: 0 to 22 lb × 0.2 oz (0 to 10 kg × 5 g)
- Range 2: 22 to 44 lb × 0.5 oz (10 to 20 kg × 10 g)

Power:

- Four AA alkaline batteries (included) or AC adapter (included)

Battery Type:

- Four AA alkaline (included)

Measuring Tape:

- 0 to 22.5 in (0 to 57 cm)

Approvals:

- AC adapter: cULus

Warranty:

- Two-year limited

Part Number/Price

| Part # | Model # | Capacity | Price |
|--------|-----------|---|----------|
| 155922 | RL-DBS-2 | 0 to 22 lb × 0.2 oz, 22 to 44 lb × 0.5 oz (0 to 10 kg × 5 g, 10 to 20 kg × 10 g) includes 120 VAC adapter | \$189.00 |
| 155923 | RL-DBS-02 | 0 to 22 lb × 0.2 oz, 22 to 44 lb × 0.5 oz (0 to 10 kg × 5 g, 10 to 20 kg × 10 g) includes 230 VAC adapter | \$189.00 |

Shipping Weight

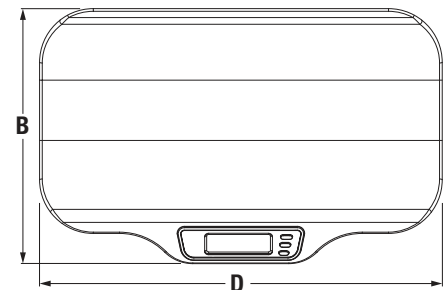
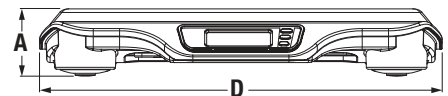
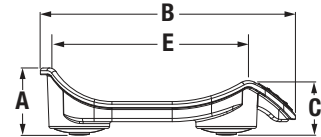
| Part # | Model # | L × W × H | Package Wgt. (lb) | Dim Wgt. (lb) | Shipping Wgt. (lb) |
|--------|----------------|----------------|-------------------|---------------|--------------------|
| 155922 | RL-DBS-2 120 V | 28 × 18 × 6 in | 10 | 22 | 22 |
| 155923 | RL-DBS-2 230 V | 28 × 18 × 6 in | 10 | 22 | 22 |

Options/Accessories

| Part # | Description | Price |
|--------|---------------|---------|
| 112570 | Carrying Case | \$56.00 |



Optional Transport/Carrying Case



Dimensions

| | Inches | Centimeters |
|---|--------|-------------|
| A | 3.90 | 10.0 |
| B | 15.00 | 38.0 |
| C | 3.10 | 7.9 |
| D | 23.60 | 60.0 |
| E | 11.00 | 27.9 |

650-10-1

Neonatal Scale

HEALTH SCALES



Model 650-10-1

Approvals



Part Number/Price

| Part # | Model # | Capacity | Price |
|--------|----------|---|----------|
| 161784 | 650-10-1 | 0 to 10 lb × 0.05 oz, 10 to 33 lb × 0.1 oz (0 to 5 kg × 1 g, 5 to 15 kg × 2 g) | \$695.00 |

Shipping Weight

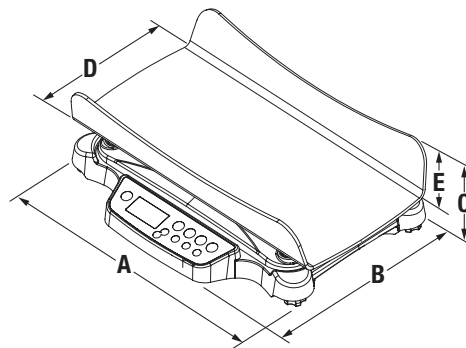
| Part # | Model # | L × W × H | Package Wgt. (lb) | Dim Wgt. (lb) | Shipping Wgt. (lb) |
|--------|----------|-----------------|-------------------|---------------|--------------------|
| 161784 | 650-10-1 | 18 × 28 × 11 in | 25 | 40 | 40 |

Options/Accessories

| Part # | Description | Price |
|--------|--|---------|
| 165138 | AC adapter, input voltage 100-240V, c-Met, medical grade | \$55.00 |

Dimensions

| | Inches | Centimeters |
|---|--------|-------------|
| A | 24.00 | 60.8 |
| B | 19.00 | 48.2 |
| C | 6.750 | 17.1 |
| D | 17.00 | 43.2 |



Standard Features

- LCD display
- Dual-range capacity for increased precision
- Unit of measure locking
- Automatic shut-off for long battery life
- Motiontrap™ movement compensation technology
- Built-in measuring tape

Specifications

Capacity:

Range 1: 0 to 10 lb × 0.05 oz (0 to 5 kg × 1 g)
Range 2: 10 to 33 lb × 0.1 oz (5 to 15 kg × 2 g)

Power:

9 VDC, provided by six AA lithium batteries (included) or AC adapter (optional)

Measuring Tape:

0 to 23.5 in × 0.125 in
(0 to 60 cm × 0.25 cm)

Battery Type:

Six Li-FeS₂ batteries

Temperature:

Operating:
50 °F to 95 °F (10 °C to 35 °C)

Display:

5-digit LCD display, 0.75 in (1.9 mm) digit height

Approvals:

c-Met E113986

Warranty:

Two-year limited

RL-PCT-10

Pediatric Circumference Tape



Standard Features

- Button to make tape retract around the measurement surface for accurate body measurements
- Easy-to-read measurements, inches on one side centimeters on the other side
- Compact and portable

HEALTH SCALES

Part Number/Price

| Part # | Model # | Measuring Range | Est. Weight | Price |
|--------|-----------|---|-------------|--------|
| 186608 | RL-PCT-10 | 0 to 205 cm × 1 mm; 0 to 80 in × 1/8 in | 1 lb | \$6.00 |

260-10-1

Bariatric Handrail Scale



Standard Features

- Handrail for support and safety
- Two wheels for ease of portability
- Large 1-inch LCD display
- Nonskid platform
- Unit of measure toggle or locking
- Motiontrap™ movement compensation technology
- EMR capable
- Tare function
- Hold function
- BMI (body mass index) function
- Factory calibrated
- Optional height rod can be installed on-site

Specifications

Capacity:

800 × 0.2 lb (360 × 0.1 kg)

Platform Dimensions:

(L × W × H)

24 × 24 × 2.75 in

Optional Height Rod Dimensions:

30 to 83.12 in (77 to 211 cm)

Power:

9 VDC, provided by six AA alkaline batteries (included) or AC adapter (optional)

Battery Type:

Six AA alkaline (included)

Battery Use:

25 hours continuous use with batteries
Automatic power-off can be configured

Display:

5-digit LCD display, 0.75 in (1.9 cm) digit height

Temperature:

Operating:
50 °F to 104 °F (10 °C to 40 °C)

Warranty:

Two-year limited

Part Number/Price

| Part # | Model # | Capacity | Price |
|--------|----------|--------------------------------------|------------|
| 170139 | 260-10-1 | 800 × 0.2 lb (360 × 0.1 kg) with USB | \$1,175.00 |

Shipping Weight

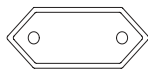
| Part # | Model # | L × W × H | Package Wgt. (lb) | Dim Wgt. (lb) | Shipping Wgt. (lb) |
|--------|------------|-----------------|-------------------|---------------|--------------------|
| 170139 | 260-10-1 | 40 × 40 × 10 in | 58 | 116 | 116 |
| 172958 | Height rod | 33 × 9 × 3 in | 3 | 7 | 7 |

Options/Accessories

| Part # | Description | Price |
|-----------|---|----------|
| 133077 † | 9 VDC adapter, 120 V/230 V auto switching | \$30.00 |
| 102508 †† | 9 VDC adapter, 230 V | \$30.00 |
| 172958 | Height rod 30 to 83 in (77 to 210 cm) | \$75.00 |
| 81076 | Epson TM-U220 tape printer | \$445.00 |
| 186830 | Printer cable, 25-pin D-Sub male to RJ-45, 6 ft | \$69.00 |



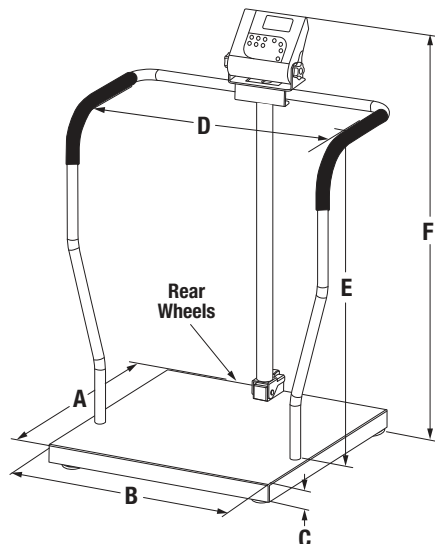
† NEMA 1-15 Plug



†† CEE 7/16 Plug

Dimensions

| | Inches | Centimeters |
|---|--------|-------------|
| A | 24.00 | 61.0 |
| B | 24.00 | 61.0 |
| C | 2.750 | 7.0 |
| D | 25.50 | 65.0 |
| E | 33.50 | 85.0 |
| F | 43.00 | 109.0 |





Model 250-10-2

Approvals



Standard Features

- Handrail for support and safety
- Two wheels for ease of portability
- Large 1-inch LCD display
- Nonslip platform
- Unit of measure toggle or locking
- Motiontrap™ movement compensation technology
- EMR capable
- Serial and USB data communication ports
- Bluetooth® BLE 4.0 available, part number selectable
- Tare function
- Hold function
- BMI (body mass index) function
- Factory calibrated

Specifications

Capacity:
1,000 × 0.2 lb (450 × 0.1 kg)

Platform Dimensions:
(L × W × H)
25 × 20 × 3 in

Power:
9 VDC, provided by six AA alkaline batteries (included) or AC adapter (optional)

Battery Type:
Six AA alkaline (included)

Battery Use:
25 hours continuous use with batteries
Automatic power-off can be configured

Display:
5-digit LCD display, 0.75 in (1.9 cm) digit height

Temperature:
Operating:
50 °F to 104 °F (10 °C to 40 °C)

Warranty:
Two-year limited

Part Number/Price

| Part # | Model # | Capacity | Price |
|--------|-------------|--|------------|
| 133119 | 250-10-2 | 1,000 × 0.2 lb (450 × 0.1 kg) with USB | \$1,285.00 |
| 194733 | 250-10-2BLE | 1,000 × 0.2 lb (450 × 0.1 kg) Bluetooth® BLE 4.0 | \$1,520.00 |

Shipping Weight

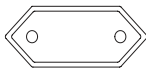
| Part # | Model # | L × W × H | Package Wgt. (lb) | Dim Wgt. (lb) | Shipping Wgt. (lb) |
|--------|-------------|----------------|-------------------|---------------|--------------------|
| 133119 | 250-10-2 | 45 × 29 × 9 in | 66 | 85 | 85 |
| 194733 | 250-10-2BLE | 45 × 29 × 9 in | 66 | 85 | 85 |

Options/Accessories

| Part # | Description | Price |
|-----------|--|----------|
| 115655 † | 9 VDC adapter, 120 V/230 V auto switching c-MET medical grade power supply | \$43.00 |
| 133077 † | 9 VDC adapter, 120 V/230 V auto switching | \$30.00 |
| 102508 †† | 9 VDC adapter, 230 V | \$30.00 |
| 81076 | Epson TM-U220 tape printer | \$445.00 |
| 186830 | Printer cable, 25-pin D-Sub male to RJ-45, 6 ft | \$69.00 |



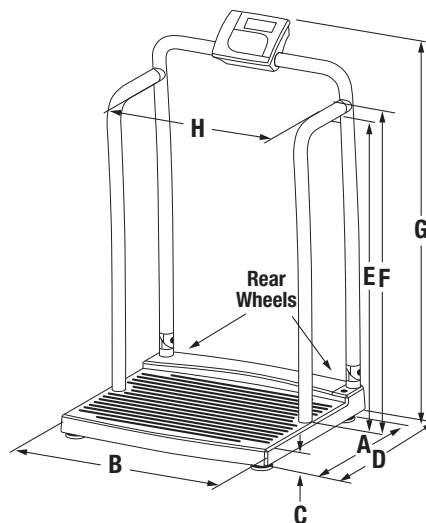
† NEMA 1-15 Plug



†† CEE 7/16 Plug

Dimensions

| | Inches | Centimeters |
|---|--------|-------------|
| A | 20.00 | 50.8 |
| B | 25.00 | 63.5 |
| C | 3.00 | 7.6 |
| D | 25.00 | 63.5 |
| E | 34.00 | 86.4 |
| F | 44.50 | 113.0 |
| G | 21.71 | 55.1 |



250-10-4

Bariatric Handrail Scale

HEALTH SCALES



20 INCH SEAT WIDTH

Model 250-10-4

Approvals



Part Number/Price

| Part # | Model # | Capacity | Price |
|--------|-------------|--|------------|
| 133120 | 250-10-4 | 1,000 × 0.2 lb (450 × 0.1 kg) with USB | \$2,030.00 |
| 194734 | 250-10-4BLE | 1,000 × 0.2 lb (450 × 0.1 kg) Bluetooth® BLE 4.0 | \$2,265.00 |

Shipping Weight

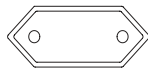
| Part # | Model # | L × W × H | Package Wgt. (lb) | Dim Wgt. (lb) | Shipping Wgt. (lb) |
|--------|-------------|-----------------|-------------------|---------------|--------------------|
| 133120 | 250-10-4 | 32 × 27 × 46 in | 70 | 286 | 286 |
| 194734 | 250-10-4BLE | 32 × 27 × 46 in | 70 | 286 | 286 |

Options/Accessories

| Part # | Description | Price |
|-----------|--|----------|
| 115655 † | 9 VDC adapter, 120 V/230 V auto switching c-MET medical grade power supply | \$43.00 |
| 133077 † | 9 VDC adapter, 120 V/230 V auto switching | \$30.00 |
| 102508 †† | 9 VDC adapter, 230 V | \$30.00 |
| 81076 | Epson TM-U220 tape printer | \$445.00 |
| 186830 | Printer cable, 25-pin D-Sub male to RJ-45, 6 ft | \$69.00 |



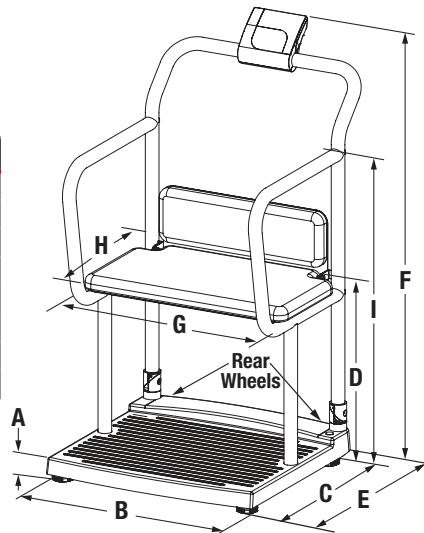
† NEMA 1-15 Plug



†† CEE 7/16 Plug

Dimensions

| | Inches | Centimeters |
|---|--------|-------------|
| A | 3.00 | 7.6 |
| B | 25.70 | 65.3 |
| C | 25.20 | 64.0 |
| D | 21.60 | 54.9 |
| E | 32.00 | 81.1 |
| F | 47.50 | 120.7 |
| G | 20.00 | 50.8 |
| H | 12.00 | 30.5 |



Standard Features

- Handrail for support and safety
- Padded seat with backrest
- Two wheels for ease of portability
- Large 1-inch LCD display
- Nonslip platform
- Unit of measure toggle or locking
- Motiontrap™ movement compensation technology
- EMR capable
- Serial and USB data communication ports
- Bluetooth® BLE 4.0 available, part number selectable
- Tare function
- Hold function
- BMI (body mass index) function
- Factory calibrated

Specifications

Capacity:

1,000 × 0.2 lb (450 × 0.1 kg)

Platform Dimensions:

(L × W × H)
25 × 20 × 3 in

Power:

9 VDC, provided by six AA alkaline batteries (included) or AC adapter (optional)

Battery Type:

Six AA alkaline (included)

Battery Use:

25 hours continuous use with batteries
Automatic power-off can be configured

Display:

5-digit LCD display, 0.75 in (1.9 cm) digit height

Temperature:

Operating:
50 °F to 104 °F (10 °C to 40 °C)

Approvals:

c-Met, E113986

Warranty:

Two-year limited



16 INCH SEAT WIDTH

Standard Features

- Swing-up arms for easy access and exit
- Fold-up footrest
- Sturdy enameled, steel frame
- Dual read die-cast beam
- Polypropylene seat with ABS armrests
- Heavy-duty wheels; two back wheels lock, two front wheels swivel

Specifications

Capacity:

Lb only beam 450 lb × 4 oz
Kg only beam 200 kg × 100 g

Warranty:

Two-year limited

Part Number/Price

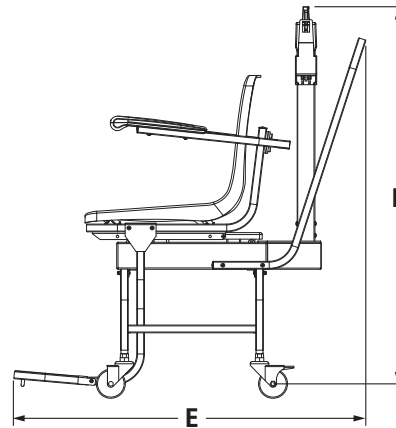
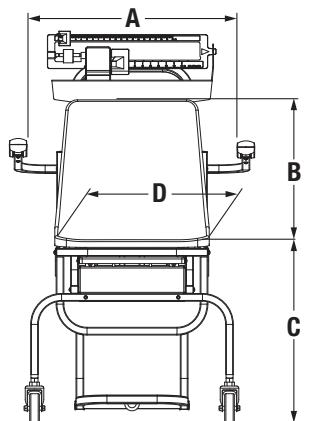
| Part # | Model # | Capacity | Price |
|--------|-----------|----------------|----------|
| 172098 | RL-MCS-LB | 450 lb × 4 oz | \$660.00 |
| 172099 | RL-MCS-KG | 200 kg × 100 g | \$660.00 |

Shipping Weight

| Part # | Model # | L × W × H | Package Wgt. (lb) | Dim Wgt. (lb) | Shipping Wgt. (lb) |
|--------|-----------|-----------------|-------------------|---------------|--------------------|
| 172098 | RL-MCS-LB | 29 × 25 × 25 in | 79 | 131 | 131 |
| 172099 | RL-MCS-KG | 29 × 25 × 25 in | 79 | 131 | 131 |

Dimensions

| | Inches | Centimeters |
|---|--------|-------------|
| A | 21.50 | 54.6 |
| B | 14.20 | 36.1 |
| C | 14.80 | 37.6 |
| D | 16.00 | 40.6 |
| E | 35.70 | 90.7 |
| F | 38.40 | 97.5 |



560-10-1

Digital Chair Scale

HEALTH SCALES



Model 560-10-1

20 INCH SEAT WIDTH

Standard Features

- Enameled tubular steel frame
- Four heavy-duty caster wheels (rear wheels locking)
- Swing-up arms
- Side-folding footrests
- Molded seat
- Large 1-inch LCD display
- Unit of measure toggle or locking
- Motiontrap™ movement compensation technology
- EMR capable
- Tare function
- Hold function
- BMI (body mass index) function
- Factory calibrated

Specifications

Capacity:

660 × 0.2 lb (300 × 0.1 kg)

Display:

5-digit LCD display, 0.75 in (1.9 cm) digit height

Power:

9 VDC provided by six AA alkaline batteries (included) or 120 V/230 VAC adapter (optional)

Battery Type:

Six AA alkaline (included)

Battery Use:

25 hours continuous use with batteries
Automatic power-off can be configured

Warranty:

Two-year limited

Part Number/Price

| Part # | Model # | Capacity | Price |
|--------|----------|----------------------------|------------|
| 166644 | 560-10-1 | 660 × 0.2lb (300 × 0.1 kg) | \$1,175.00 |

Shipping Weight

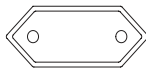
| Part # | Model # | L × W × H | Package Wgt. (lb) | Dim Wgt. (lb) | Shipping Wgt. (lb) |
|--------|----------|-----------------|-------------------|---------------|--------------------|
| 166644 | 560-10-1 | 33 × 23 × 27 in | 65 | 148 | 148 |

Options/Accessories

| Part # | Description | Price |
|-----------|---|----------|
| 133077 † | 9 VDC adapter, 120 V/230 V auto switching | \$30.00 |
| 102508 †† | 9 VDC adapter, 230 V | \$30.00 |
| 81076 | Epson TM-U220 tape printer | \$445.00 |
| 186830 | Printer cable, 25-pin D-Sub male to RJ-45, 6 ft | \$69.00 |



† NEMA 1-15 Plug

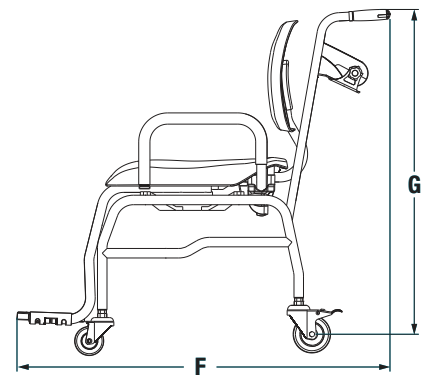
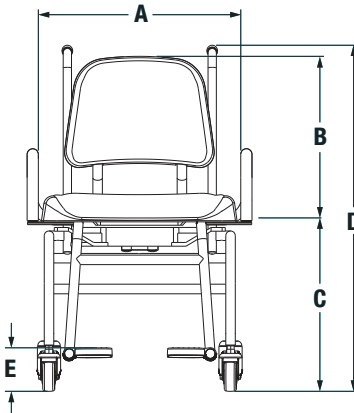


†† CEE 7/16 Plug



Dimensions

| | Inches | Centimeters |
|---|--------|-------------|
| A | 20.10 | 51.1 |
| B | 17.30 | 44.0 |
| C | 20.10 | 51.1 |
| D | 36.40 | 92.5 |
| E | 5.90 | 15.0 |
| F | 42.90 | 109.0 |
| G | 34.60 | 88.0 |





Approvals



Part Number/Price

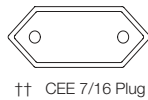
| Part # | Model # | Capacity | Price |
|--------|-------------|---|------------|
| 119114 | 550-10-1 | 660 × 0.2 lb (300 × 0.1 kg) with USB | \$1,125.00 |
| 194740 | 550-10-1BLE | 660 × 0.2 lb (300 × 0.1 kg) with Bluetooth® BLE 4.0 | \$1,360.00 |

Shipping Weight

| Part # | Model # | L × W × H | Package Wgt. (lb) | Dim Wgt. (lb) | Shipping Wgt. (lb) |
|--------|-------------|-----------------|-------------------|---------------|--------------------|
| 119114 | 550-10-1 | 29 × 27 × 29 in | 54 | 164 | 164 |
| 194740 | 550-10-1BLE | 29 × 27 × 29 in | 54 | 164 | 164 |

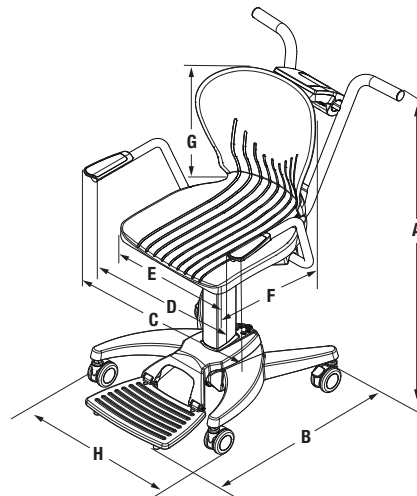
Options/Accessories

| Part # | Description | Price |
|-----------|--|----------|
| 115655 † | 9 VDC adapter, 120 V/230 V auto switching c-MET medical grade power supply | \$43.00 |
| 133077 † | 9 VDC adapter, 120 V/230 V auto switching | \$30.00 |
| 102508 †† | 9 VDC adapter, 230 V | \$30.00 |
| 81076 | Epson TM-U220 tape printer | \$445.00 |
| 186830 | Printer cable, 25-pin D-Sub male to RJ-45, 6 ft | \$69.00 |



Dimensions

| | Inches | Centimeters |
|---|--------|-------------|
| A | 37.40 | 95.0 |
| B | 33.40 | 85.0 |
| C | 25.20 | 64.0 |
| D | 20.50 | 52.0 |
| E | 17.00 | 43.2 |
| F | 16.00 | 40.6 |
| G | 17.00 | 43.2 |
| H | 20.55 | 52.2 |



Standard Features

- Enameled tubular steel frame
- Four heavy-duty locking caster wheels
- Swing-up arms
- Flip-up footrest
- Large 1-inch LCD display
- Unit of measure toggle or locking
- Motiontrap™ movement compensation technology
- EMR capable
- Serial and USB data communication ports
- Bluetooth® BLE 4.0 available, part number selectable
- Tare function
- Hold function
- BMI (body mass index) function
- Factory calibrated

Specifications

Capacity:

660 × 0.2 lb (300 × 0.1 kg)

Power:

9 VDC provided by six AA alkaline batteries (included) or 120 V/230 VAC adapter (optional)

Battery Type:

Six AA alkaline (included)

Battery Use:

25 hours continuous use with batteries
Automatic power-off can be configured

Display:

5-digit LCD display, 0.75 in (1.9 cm) digit height

Operating Temperature:

50 °F to 104 °F (10 °C to 40 °C)

Approvals:

c-Met, E113986

Warranty:

Two-year limited

350-10-3M

Dual-ramp Wheelchair Scale

HEALTH SCALES



Model 350-10-3M

METAL PLATFORM

Standard Features

- Two wheels for portability
- Dual ramp
- Nonslip platform
- Large 1-inch LCD display
- Motiontrap™ movement compensation technology
- Unit of measure toggle or locking
- EMR capable
- Serial and USB data communication ports
- Bluetooth® BLE 4.0 available, part number selectable
- Tare function
- Hold function
- BMI (body mass index) function
- Factory calibrated
- Easy to store, folded depth is 11.75 in

Specifications

Capacity:

1,000 × 0.2 lb (450 × 0.1 kg)

Platform Dimensions:

(L × W × H)

29.5 × 31.5 × 3.2 in

Power:

9 VDC, provided by six AA alkaline batteries (included) or AC adapter (optional)

Battery Type:

Six AA alkaline (included)

Battery Use:

25 hours of continuous use with batteries
Automatic power-off can be configured

Display:

5-digit LCD display, 0.75 in (1.9 mm) digit height

Temperature:

Operating:
50 °F to 104 °F (10 °C to 40 °C)

Warranty:

Two-year limited

Approvals



Part Number/Price

| Part # | Model # | Capacity | Price |
|--------|--------------|---|------------|
| 193956 | 350-10-3M | 1,000 × 0.2 lb (450 × 0.1 kg) with USB | \$2,165.00 |
| 203910 | 350-10-3MBLE | 1,000 × 0.2lb (450 × 0.1kg) with Bluetooth® BLE 4.0 | \$2,400.00 |

Shipping Weight

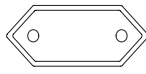
| Part # | Model # | L × W × H | Package Wgt. (lb) | Dim Wgt. (lb) | Shipping Wgt. (lb) |
|--------|--------------|-----------------|-------------------|---------------|--------------------|
| 193956 | 350-10-3M | 51 × 42 × 14 in | 102 | 216 | 216 |
| 203910 | 350-10-3MBLE | 51 × 42 × 14 in | 102 | 216 | 216 |

Options/Accessories

| Part # | Description | Price |
|-----------|--|----------|
| 115655 † | 9 VDC adapter, 120 V/230 V auto switching c-MET medical grade power supply | \$43.00 |
| 133077 † | 9 VDC adapter, 120 V/230 V auto switching | \$30.00 |
| 102508 †† | 9 VDC adapter, 230 V | \$30.00 |
| 81076 | Epson TM-U220 tape printer | \$445.00 |
| 186830 | Printer cable, 25-pin D-Sub male to RJ-45, 6 ft | \$69.00 |



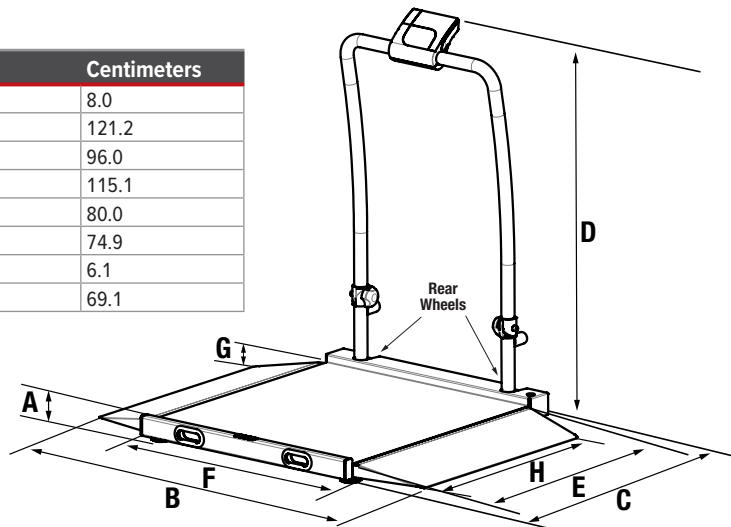
† NEMA 1-15 Plug



†† CEE 7/16 Plug

Dimensions

| | Inches | Centimeters |
|---|--------|-------------|
| A | 3.15 | 8.0 |
| B | 47.70 | 121.2 |
| C | 37.80 | 96.0 |
| D | 45.30 | 115.1 |
| E | 31.50 | 80.0 |
| F | 29.50 | 74.9 |
| G | 2.40 | 6.1 |
| H | 27.20 | 69.1 |



Wheelchair scale in folded position

350-10-2

Single-ramp Wheelchair Scale



Model 350-10-2



Standard Features

- Two wheels for portability
- Single ramp
- Nonslip platform
- Large 1-inch LCD display
- Motiontrap™ movement compensation technology
- Unit of measure toggle or locking
- EMR capable
- Serial and USB data communication ports
- Bluetooth® BLE 4.0 available, part number selectable
- Tare function
- Hold function
- BMI (body mass index) function
- Factory calibrated
- Easy to store, folded depth is 11.75 in

Specifications

Capacity:

1,000 × 0.2 lb (450 × 0.1 kg)

Platform Dimensions Without Ramp:

(L × W × H)
29.5 × 32.0 × 2.4 in

Power:

9 VDC, provided by six AA alkaline batteries (included) or AC adapter (optional)

Battery Type:

Six AA alkaline (included)

Battery Use:

25 hours of continuous use with batteries
Automatic power-off can be configured

Display:

5-digit LCD display, 0.75 in (1.9 mm) digit height

Temperature:

Operating:
50 °F to 104 °F (10 °C to 40 °C)

Warranty:

Two-year limited

Approvals



Part Number/Price

| Part # | Model # | Capacity | Price |
|--------|-------------|---|------------|
| 141445 | 350-10-2 | 1,000 × 0.2 lb (450 × 0.1 kg) with USB | \$1,285.00 |
| 194739 | 350-10-2BLE | 1,000 × 0.2 lb (450 × 0.1 kg) with Bluetooth® BLE 4.0 | \$1,520.00 |

Shipping Weight

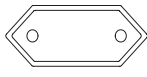
| Part # | Model # | L × W × H | Package Wgt. (lb) | Dim Wgt. (lb) | Shipping Wgt. (lb) |
|--------|-------------|-----------------|-------------------|---------------|--------------------|
| 141445 | 350-10-2 | 42 × 41 × 14 in | 90 | 174 | 174 |
| 194739 | 350-10-2BLE | 42 × 41 × 14 in | 90 | 174 | 174 |

Options/Accessories

| Part # | Description | Price |
|-----------|--|----------|
| 115655 † | 9 VDC adapter, 120 V/230 V auto switching c-MET medical grade power supply | \$43.00 |
| 133077 † | 9 VDC adapter, 120 V/230 V auto switching | \$30.00 |
| 102508 †† | 9 VDC adapter, 230 V | \$30.00 |
| 81076 | Epson TM-U220 tape printer | \$445.00 |
| 186830 | Printer cable, 25-pin D-Sub male to RJ-45, 6 ft | \$69.00 |



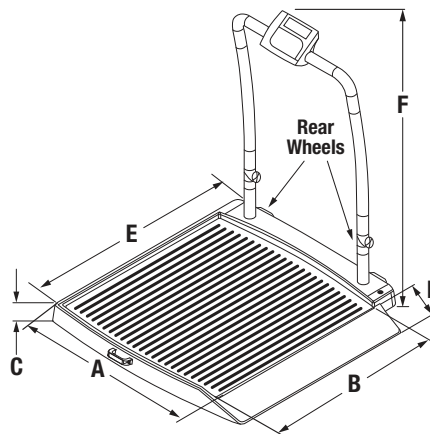
† NEMA 1-15 Plug



†† CEE 7/16 Plug

Dimensions

| | Inches | Centimeters |
|---|--------|-------------|
| A | 29.50 | 74.9 |
| B | 32.00 | 81.3 |
| C | 2.40 | 6.1 |
| D | 9.30 | 23.5 |
| E | 37.50 | 95.3 |
| F | 45.00 | 114.3 |



Wheelchair scale in folded position

350-10-7

Single-ramp Wheelchair Platform Scale



Approvals



Part Number/Price

| Part # | Model # | Capacity | Price |
|--------|-------------|---|------------|
| 141446 | 350-10-7 | 1,000 × 0.2 lb (450 × 0.1 kg) with USB | \$1,225.00 |
| 194738 | 350-10-7BLE | 1,000 × 0.2 lb (450 × 0.1 kg) with Bluetooth® BLE 4.0 | \$1,460.00 |

Shipping Weight

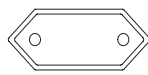
| Part # | Model # | L × W × H | Package Wgt. (lb) | Dim Wgt. (lb) | Shipping Wgt. (lb) |
|--------|-------------|----------------|-------------------|---------------|--------------------|
| 141446 | 350-10-7 | 45 × 44 × 7 in | 78 | 100 | 100 |
| 194738 | 350-10-7BLE | 45 × 44 × 7 in | 78 | 100 | 100 |

Options/Accessories

| Part # | Description | Price |
|-----------|--|----------|
| 115655 † | 9 VDC adapter, 120 V/230 V auto switching c-MET medical grade power supply | \$43.00 |
| 133077 † | 9 VDC adapter, 120 V/230 V auto switching | \$30.00 |
| 102508 †† | 9 VDC adapter, 230 V | \$30.00 |
| 81076 | Epson TM-U220 tape printer | \$445.00 |
| 186830 | Printer cable, 25-pin D-Sub male to RJ-45, 6 ft | \$69.00 |



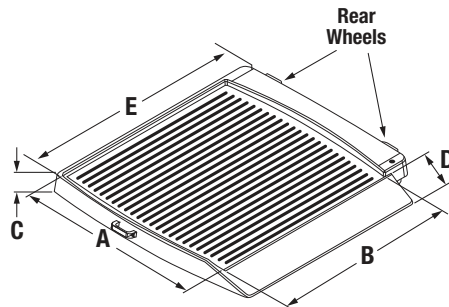
† NEMA 1-15 Plug



†† CEE 7/16 Plug

Dimensions

| | Inches | Centimeters |
|---|--------|-------------|
| A | 29.50 | 74.9 |
| B | 32.00 | 81.3 |
| C | 2.40 | 6.1 |
| D | 9.30 | 23.5 |
| E | 37.50 | 95.3 |



Standard Features

- Two wheels for portability
- Single ramp
- Nonslip platform
- Large 1-inch LCD display
- Motiontrap™ movement compensation technology
- Unit of measure toggle or locking
- EMR capable
- Serial and USB data communication ports
- Bluetooth® BLE 4.0 available, part number selectable
- Tare function
- Hold function
- BMI (body mass index) function
- Factory calibrated

Specifications

Capacity:

1,000 × 0.2 lb (450 × 0.1 kg)

Platform Dimensions Without Ramp:

(L × W × H)
29.5 × 32.0 × 2.4 in

Power:

9 VDC, provided by six AA alkaline batteries (included) or AC adapter (optional)

Battery Type:

Six AA alkaline (included)

Battery Use:

25 hours of continuous use with batteries
Automatic power-off can be configured

Cable Length:

7 ft (2.1 m) cable between scale base and indicator

Display:

5-digit LCD display, 0.75 in (1.9 mm) digit height

Temperature:

Operating:
50 °F to 104 °F (10 °C to 40 °C)

Warranty:

Two-year limited



WITH HANDRAIL

Standard Features

- Two wheels for portability
- Dual ramp
- Nonslip platform
- Large 1-inch LCD display
- Motiontrap™ movement compensation technology
- Unit of measure toggle or locking
- EMR capable
- Serial and USB data communication ports
- Bluetooth® BLE 4.0 available, part number selectable
- Tare function
- Hold function
- BMI (body mass index) function
- Factory calibrated
- Easy to store, folded depth is 11.75 in

Specifications

Capacity:

1,000 × 0.2 lb (450 × 0.1 kg)

Platform Dimensions Without Ramps:

(L × W × H)
29.5 × 32.0 × 2.4 in

Power:

9 VDC, provided by six AA alkaline batteries (included) or AC adapter (optional)

Battery Type:

Six AA alkaline (included)

Battery Use:

25 hours of continuous use with batteries
Automatic power-off can be configured

Display:

5-digit LCD display, 0.75 in (1.9 mm) digit height

Temperature:

Operating:
50 °F to 104 °F (10 °C to 40 °C)

Warranty:

Two-year limited

Approvals



Part Number/Price

| Part # | Model # | Capacity | Price |
|--------|-------------|---|------------|
| 141447 | 350-10-3 | 1,000 × 0.2 lb (450 × 0.1 kg) with USB | \$1,970.00 |
| 194736 | 350-10-3BLE | 1,000 × 0.2 lb (450 × 0.1 kg) with Bluetooth® BLE 4.0 | \$2,205.00 |

Shipping Weight

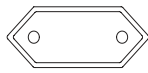
| Part # | Model # | L × W × H | Package Wgt. (lb) | Dim Wgt. (lb) | Shipping Wgt. (lb) |
|--------|-------------|-----------------|-------------------|---------------|--------------------|
| 141447 | 350-10-3 | 51 × 42 × 14 in | 102 | 216 | 216 |
| 194736 | 350-10-3BLE | 51 × 42 × 14 in | 102 | 216 | 216 |

Options/Accessories

| Part # | Description | Price |
|-----------|--|----------|
| 115655 † | 9 VDC adapter, 120 V/230 V auto switching c-MET medical grade power supply | \$43.00 |
| 133077 † | 9 VDC adapter, 120 V/230 V auto switching | \$30.00 |
| 102508 †† | 9 VDC adapter, 230 V | \$30.00 |
| 81076 | Epson TM-U220 tape printer | \$445.00 |
| 186830 | Printer cable, 25-pin D-Sub male to RJ-45, 6 ft | \$69.00 |



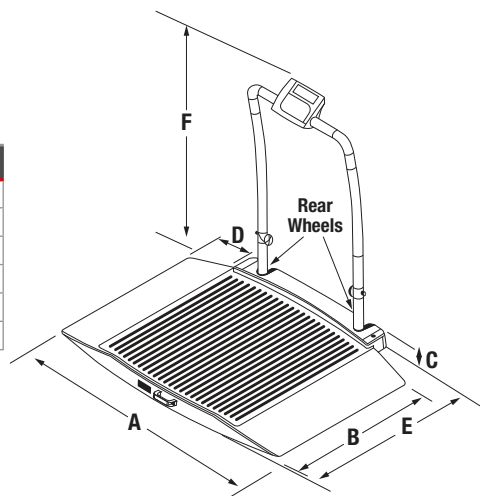
† NEMA 1-15 Plug



†† CEE 7/16 Plug

Dimensions

| | Inches | Centimeters |
|---|--------|-------------|
| A | 48.50 | 123.2 |
| B | 32.00 | 81.3 |
| C | 2.40 | 6.1 |
| D | 9.30 | 23.6 |
| E | 38.00 | 96.5 |
| F | 45.00 | 114.3 |



Wheelchair scale in folded position

350-10-4

Dual-ramp Wheelchair Scale



WITH SEAT AND HANDRAIL

Standard Features

- Two wheels for portability
- Dual ramp
- Nonslip platform
- Fold-away padded seat with backrest
- Large 1-inch LCD display
- Motiontrap™ movement compensation technology
- Unit of measure toggle or locking
- EMR capable
- Serial and USB data communication ports
- Bluetooth® BLE 4.0 available, part number selectable
- Tare function
- Hold function
- BMI (body mass index) function
- Factory calibrated
- Easy to store, folded depth is 11.75 in

Approvals



Part Number/Price

| Part # | Model # | Capacity | Price |
|--------|-------------|---|------------|
| 141448 | 350-10-4 | 1,000 × 0.2 lb (450 × 0.1 kg) with USB | \$2,830.00 |
| 194737 | 350-10-4BLE | 1,000 × 0.2 lb (450 × 0.1 kg) with Bluetooth® BLE 4.0 | \$3,065.00 |

Shipping Weight

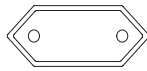
| Part # | Model # | L × W × H | Package Wgt. (lb) | Dim Wgt. (lb) | Shipping Wgt. (lb) |
|--------|-------------|-----------------|-------------------|---------------|--------------------|
| 141448 | 350-10-4 | 51 × 43 × 21 in | 132 | 332 | 332 |
| 194737 | 350-10-4BLE | 51 × 43 × 21 in | 132 | 332 | 332 |

Options/Accessories

| Part # | Description | Price |
|-----------|--|----------|
| 115655 † | 9 VDC adapter, 120 V/230 V auto switching c-MET medical grade power supply | \$43.00 |
| 133077 † | 9 VDC adapter, 120 V/230 V auto switching | \$30.00 |
| 102508 †† | 9 VDC adapter, 230 V | \$30.00 |
| 81076 | Epson TM-U220 tape printer | \$445.00 |
| 186830 | Printer cable, 25-pin D-Sub male to RJ-45, 6 ft | \$69.00 |



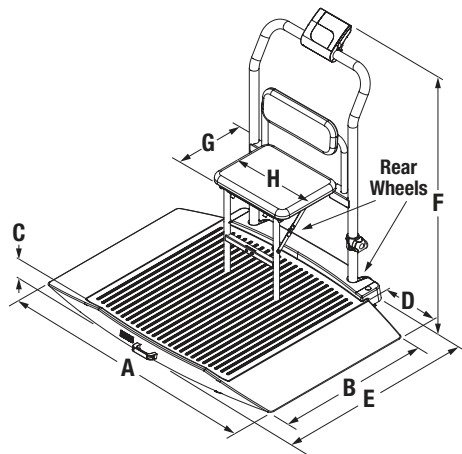
† NEMA 1-15 Plug



†† CEE 7/16 Plug

Dimensions

| | Inches | Centimeters |
|---|--------|-------------|
| A | 48.50 | 123.2 |
| B | 32.00 | 81.3 |
| C | 2.40 | 6.1 |
| D | 9.30 | 23.6 |
| E | 38.00 | 96.5 |
| F | 45.00 | 114.3 |
| G | 6.30 | 16.0 |
| H | 12.00 | 30.5 |



Wheelchair scale in folded position

Specifications

Capacity:

1,000 × 0.2 lb (450 × 0.1 kg)

Platform Dimensions Without Ramps:

(L × W × H)
29.5 × 32.0 × 2.4 in

Power:

9 VDC, provided by six AA alkaline batteries (included) or AC adapter (optional)

Battery Type:

Six AA alkaline (included)

Battery Use:

25 hours of continuous use with batteries
Automatic power-off can be configured

Display:

5-digit LCD display, 0.75 in (1.9 mm) digit height

Temperature:

Operating:
50 °F to 104 °F (14 °C to 40 °C)

Warranty:

Two-year limited



Model 350-10-8

Approvals



Part Number/Price

| Part # | Model # | Capacity | Price |
|--------|-------------|---|------------|
| 141449 | 350-10-8 | 1,000 × 0.2 lb (450 × 0.1 kg) with USB | \$1,935.00 |
| 194735 | 350-10-8BLE | 1,000 × 0.2 lb (450 × 0.1 kg) with Bluetooth® BLE 4.0 | \$2,170.00 |

Shipping Weight

| Part # | Model # | L × W × H | Package Wgt. (lb) | Dim Wgt. (lb) | Shipping Wgt. (lb) |
|--------|-------------|----------------|-------------------|---------------|--------------------|
| 141449 | 350-10-8 | 53 × 45 × 7 in | 86 | 121 | 121 |
| 194735 | 350-10-8BLE | 53 × 45 × 7 in | 86 | 121 | 121 |

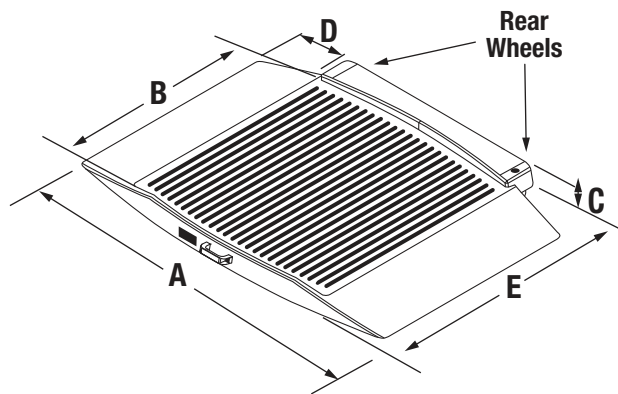
Options/Accessories

| Part # | Description | Price |
|-----------|--|----------|
| 115655 † | 9 VDC adapter, 120 V/230 V auto switching c-MET medical grade power supply | \$43.00 |
| 133077 † | 9 VDC adapter, 120 V/230 V auto switching | \$30.00 |
| 102508 †† | 9 VDC adapter, 230 V | \$30.00 |
| 81076 | Epson TM-U220 tape printer | \$445.00 |
| 186830 | Printer cable, 25-pin D-Sub male to RJ-45, 6 ft | \$69.00 |



Dimensions

| | Inches | Centimeters |
|---|--------|-------------|
| A | 48.50 | 123.2 |
| B | 32.00 | 81.3 |
| C | 2.40 | 6.1 |
| D | 9.30 | 23.6 |
| E | 38.00 | 96.5 |



Standard Features

- Two wheels for portability
- Dual ramp
- Nonslip platform
- Large 1-inch LCD display
- Motiontrap™ movement compensation technology
- Unit of measure toggle or locking
- EMR capable
- Serial and USB data communication ports
- Bluetooth® BLE 4.0 available, part number selectable
- Tare function
- Hold function
- BMI (body mass index) function
- Factory calibrated

Specifications

Capacity:

1,000 × 0.2 lb (450 × 0.1 kg)

Platform Dimensions Without Ramps:

(L × W × H)
29.5 × 32.0 × 2.4 in

Power:

9 VDC, provided by six AA alkaline batteries (included) or AC adapter (optional)

Battery Type:

Six AA alkaline (included)

Battery Use:

25 hours of continuous use with batteries
Automatic power-off can be configured

Cable Length:

7 ft (2.1 m) cable between scale base and indicator

Display:

5-digit LCD display, 0.75 in (1.9 mm) digit height

Temperature:

Operating:
50 °F to 104 °F (10 °C to 40 °C)

Warranty:

Two-year limited

RL-350-5

Single-ramp Portable Bariatric Wheelchair Scale



Model RL-350-5

Standard Features

- Integrated handles and wheels for easy transport
- Large, stable scale base
- Metal nonslip platform
- Large 1-inch LCD display
- Motiontrap™ movement compensation technology
- Unit of measure toggle or locking
- EMR capable
- Serial and USB data communication ports
- Bluetooth® BLE 4.0 available, part number selectable
- Tare function
- Hold function
- BMI (body mass index) function

Specifications

Capacity:

1,000 × 0.2 lb (450 × 0.1 kg)

Platform Dimensions Without Ramp:

(L × W × H)

34.0 × 34.0 × 2.2 in

Power:

9 VDC, provided by six AA alkaline batteries (included) or AC adapter (optional)

Battery Type:

Six AA alkaline (included)

Battery Use:

25 hours of continuous use with batteries
Automatic power-off can be configured

Cable Length:

9 ft (2.7 m) cable between scale base and indicator

Display:

5-digit LCD display, 0.75 in (1.9 mm) digit height

Temperature:

Operating:
50 °F to 104 °F (10 °C to 40 °C)

Warranty:

Two-year limited

Approvals



Part Number/Price

| Part # | Model # | Capacity | Price |
|--------|-------------|---|------------|
| 150703 | RL-350-5 | 1,000 × 0.2 lb (450 × 0.1 kg) with USB | \$2,130.00 |
| 205976 | RL-350-5BLE | 1,000 × 0.2 lb (450 × 0.1 kg) with Bluetooth® BLE 4.0 | \$2,365.00 |

Shipping Weight

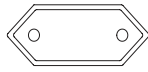
| Part # | Model # | L × W × H | Package Wgt. (lb) | Dim Wgt. (lb) | Shipping Wgt. (lb) |
|--------|-------------|-----------------|-------------------|---------------|--------------------|
| 150703 | RL-350-5 | 43 × 43 × 11 in | 162 | 147 | 162 |
| 205976 | RL-350-5BLE | 43 × 43 × 11 in | 162 | 147 | 162 |

Options/Accessories

| Part # | Description | Price |
|-----------|---|----------|
| 133077 † | 9 VDC adapter, 120 V/230 V auto switching | \$30.00 |
| 102508 †† | 9 VDC adapter, 230 V | \$30.00 |
| 81076 | Epson TM-U220 tape printer | \$445.00 |
| 186830 | Printer cable, 25-pin D-Sub male to RJ-45, 6 ft | \$69.00 |



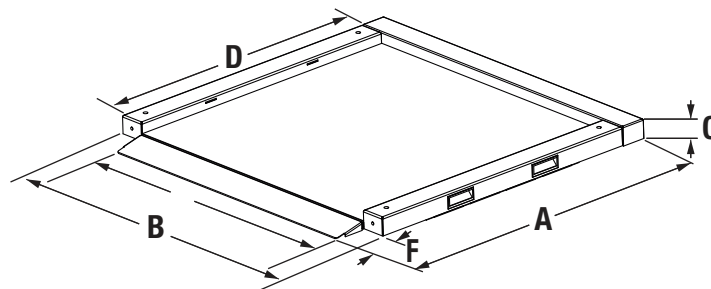
† NEMA 1-15 Plug



†† CEE 7/16 Plug

Dimensions

| | Inches | Centimeters |
|---|--------|-------------|
| A | 41.00 | 104.1 |
| B | 40.00 | 101.6 |
| C | 2.20 | 5.6 |
| D | 34.00 | 86.4 |
| E | 34.00 | 86.4 |





RL-350-6

Standard Features

- Integrated handles and wheels for easy transport
- Dual ramp
- Large, stable scale base
- Metal nonslip platform
- Large 1-inch LCD display
- Unit of measure toggle or locking
- Motiontrap™ movement compensation technology
- EMR capable
- Serial and USB data communication ports
- Bluetooth® BLE 4.0 available, part number selectable
- Tare function
- Hold function
- BMI (body mass index) function

Specifications

Capacity:

1,000 × 0.2 lb (450 × 0.1 kg)

Platform Dimensions Without Ramps:

(L × W × H)
34.0 × 34.0 × 2.2 in

Power:

9 VDC, provided by six AA alkaline batteries (included) or AC adapter (optional)

Battery Type:

Six AA alkaline (included)

Battery Use:

25 hours of continuous use with batteries
Automatic power-off can be configured

Cable Length:

9 ft (2.7 m) cable between scale base and indicator

Display:

5-digit LCD display, 0.75 in (1.9 mm) digit height

Temperature:

Operating:
50 °F to 104 °F (10 °C to 40 °C)

Warranty:

Two-year limited

Approvals



Part Number/Price

| Part # | Model # | Capacity | Price |
|--------|-------------|---|------------|
| 150704 | RL-350-6 | 1,000 × 0.2 lb (450 × 0.1 kg) with USB | \$2,130.00 |
| 205974 | RL-350-6BLE | 1,000 × 0.2 lb (450 × 0.1 kg) with Bluetooth® BLE 4.0 | \$2,365.00 |

Shipping Weight

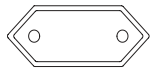
| Part # | Model # | L × W × H | Package Wgt. (lb) | Dim Wgt. (lb) | Shipping Wgt. (lb) |
|--------|-------------|-----------------|-------------------|---------------|--------------------|
| 150704 | RL-350-6 | 43 × 43 × 11 in | 154 | 147 | 154 |
| 205974 | RL-350-6BLE | 43 × 43 × 11 in | 154 | 147 | 154 |

Options/Accessories

| Part # | Description | Price |
|-----------|---|----------|
| 133077 † | 9 VDC adapter, 120 V/230 V auto switching | \$30.00 |
| 102508 †† | 9 VDC adapter, 230 V | \$30.00 |
| 81076 | Epson TM-U220 tape printer | \$445.00 |
| 186830 | Printer cable, 25-pin D-Sub male to RJ-45, 6 ft | \$69.00 |



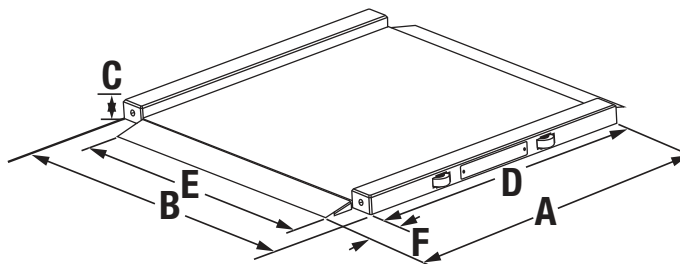
† NEMA 1-15 Plug



†† CEE 7/16 Plug

Dimensions

| | Inches | Centimeters |
|---|--------|-------------|
| A | 41.00 | 104.1 |
| B | 40.00 | 101.6 |
| C | 2.20 | 5.6 |
| D | 34.00 | 86.4 |
| E | 34.00 | 86.4 |



SB-1150 Summit™

Bariatric Wheelchair Scale



Model SB-1150

Approvals



pending

Part Number/Price

| Part # | Model # | Capacity | Price |
|--------|------------|---|------------|
| 150706 | SB-1150 | 1,000 × 0.2 lb (450 × 0.1 kg) with USB | \$1,950.00 |
| 205977 | SB-1150BLE | 1,000 × 0.2 lb (450 × 0.1 kg) with Bluetooth® BLE 4.0 | \$2,185.00 |

Shipping Weight

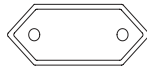
| Part # | Model # | L × W × H | Package Wgt. (lb) | Dim Wgt. (lb) | Shipping Wgt. (lb) |
|--------|------------|-----------------|-------------------|---------------|--------------------|
| 150706 | SB-1150 | 49 × 48 × 24 in | 363 | 407 | 407 |
| 205977 | SB-1150BLE | 49 × 48 × 24 in | 363 | 407 | 407 |

Options/Accessories

| Part # | Description | Price |
|-----------|---|----------|
| 133077 † | 9 VDC adapter, 120 V/230 V auto switching | \$30.00 |
| 102508 †† | 9 VDC adapter, 230 V | \$30.00 |
| 81076 | Epson TM-U220 tape printer | \$445.00 |
| 186830 | Printer cable, 25-pin D-Sub male to RJ-45, 6 ft | \$69.00 |



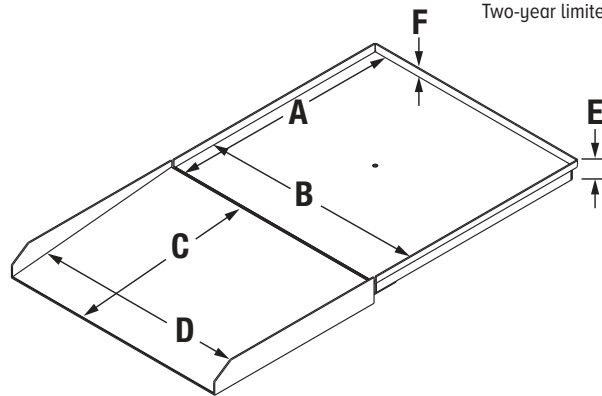
† NEMA 1-15 Plug



†† CEE 7/16 Plug

Dimensions

| | Inches | Centimeters |
|---|--------|-------------|
| A | 36.00 | 91.4 |
| B | 36.00 | 91.4 |
| C | 28.50 | 72.4 |
| D | 36.00 | 91.4 |
| E | 4.00 | 10.2 |
| F | 1.00 | 2.5 |



Standard Features

- Heavy-duty mild steel construction
- Single ramp
- Large 1-inch LCD display
- Metal nonslip platform
- Motiontrap™ movement compensation technology
- Unit of measure toggle or locking
- EMR capable
- Serial and USB data communication ports
- Bluetooth® BLE 4.0 available, part number selectable
- Tare function
- Hold function
- BMI (body mass index) function
- Factory calibrated

Specifications

Capacity:

1,000 × 0.2 lb (450 × 0.1 kg)

Platform Dimensions:

(L × W × H)

36.0 × 36.0 × 4.0 in

Ramp Dimensions:

(L × W × H)

36.0 × 28.5 × 4.0 in

Power:

9 VDC, provided by six AA alkaline batteries (included) or AC adapter (optional)

Battery Type:

Six AA alkaline (included)

Battery Use:

25 hours continuous use with batteries
Automatic power-off can be configured

Cable Length:

10 ft (3.1 m) cable between scale base and indicator

Display:

5-digit LCD display, 0.75 in (1.9 mm) digit height

Temperature:

Operating:
50 °F to 104 °F (10 °C to 40 °C)

Warranty:

Two-year limited

SD-1150-WP

Dialysis Wheelchair Scale

Wall mounted indicator, cable enclosed in customer supplied conduit.



Model SD-1150-WP

Standard Features

- Package includes scale, pit frame, handrail and indicator
- Heavy-duty mild steel construction
- Live handrail for accuracy and patient safety
- Large 1-inch LCD display
- Unit of measure toggle or locking
- Motiontrap™ movement compensation technology
- EMR capable
- Serial and USB data communication ports
- Bluetooth® BLE 4.0 available, part number selectable
- Tare function
- Hold function
- BMI (body mass index) function
- Factory calibrated

Specifications

Capacity:

1,000 × 0.2 lb (450 × 0.1 kg)

Platform Dimensions:

(L × W × H)
36.0 × 36.0 × 3.0 in

Power:

9 VDC, provided by six AA alkaline batteries (included) or AC adapter (optional)

Battery Type:

Six AA alkaline (included)

Battery Use:

25 hours continuous use with batteries
Automatic power-off can be configured

Display:

5-digit LCD display, 0.75 in (1.9 mm) digit height

Cable Length:

10 ft (3.1 m) cable between scale base and indicator

Temperature:

Operating:
50 °F to 104 °F (10 °C to 40 °C)

Warranty:

Two-year limited

Approvals



Part Number/Price

| Part # | Model # | Capacity | Price |
|--------|---------------|---|------------|
| 150707 | SD-1150-WP | 1,000 × 0.2 lb (450 × 0.1 kg) with USB | \$2,255.00 |
| 205978 | SD-1150-WPBLE | 1,000 × 0.2 lb (450 × 0.1 kg) with Bluetooth® BLE 4.0 | \$2,490.00 |

Shipping Weight

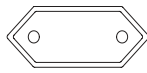
| Part # | Model # | L × W × H | Package Wgt. (lb) | Dim Wgt. (lb) | Shipping Wgt. (lb) |
|--------|---------------|-----------------|-------------------|---------------|--------------------|
| 150707 | SD-1150-WP | 40 × 39 × 15 in | 246 | 169 | 246 |
| 205978 | SD-1150-WPBLE | 40 × 39 × 15 in | 246 | 169 | 246 |

Options/Accessories

| Part # | Description | Price |
|-----------|---|----------|
| 133077 † | 9 VDC adapter, 120 V/230 V auto switching | \$30.00 |
| 102508 †† | 9 VDC adapter, 230 V | \$30.00 |
| 81076 | Epson TM-U220 tape printer | \$445.00 |
| 186830 | Printer cable, 25-pin D-Sub male to RJ-45, 6 ft | \$69.00 |



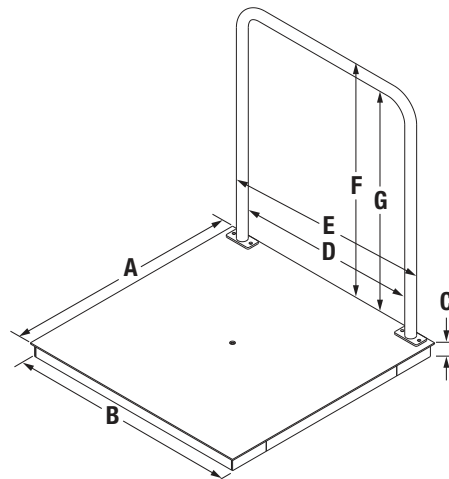
† NEMA 1-15 Plug



†† CEE 7/16 Plug

Dimensions

| | Inches | Centimeters |
|---|--------|-------------|
| A | 36.00 | 91.4 |
| B | 36.00 | 91.4 |
| C | 3.00 | 7.6 |
| D | 31.50 | 80.0 |
| E | 37.00 | 94.0 |



SD-1150-WP

Pit Frame Concrete Details

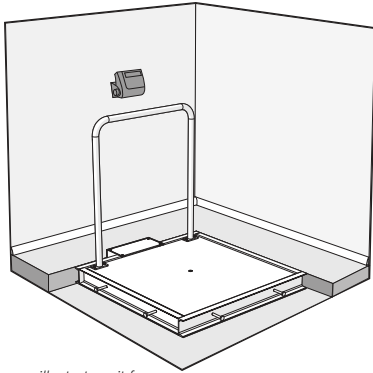
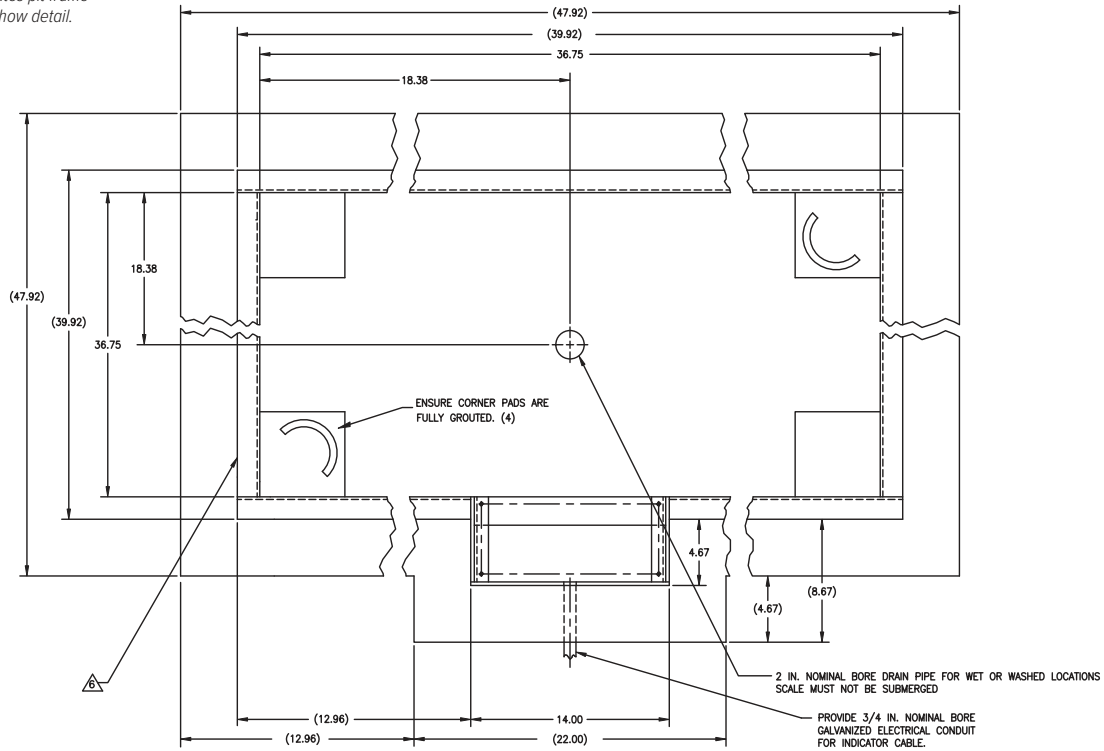
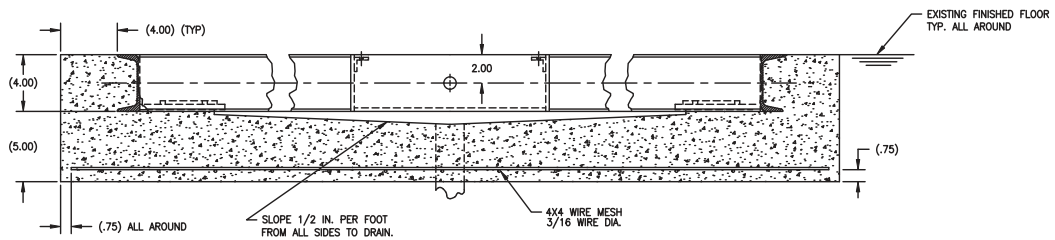


Image illustrates pit frame exposed to show detail.

Drawing dimensions shown in inches



NOTE: HANDRAIL ON SCALE WILL MOUNT ON SAME SIDE AS JUNCTION BOX POCKET



NOTE:

1. USE CONCRETE OF MINIMUM YIELD STRENGTH 5000 PSI OR 6-BAG MIX.
 2. ALLOW 7 DAYS TO CURE. WET CONCRETE PERIODICALLY DURING THIS TIME.
 3. DIMENSIONS SHOWN ASSUME FIRM, STABLE SOIL CONDITIONS. WHEN SOIL CONDITIONS ARE NOT ADEQUATE, PLACE FOUNDATION AT SUFFICIENT DEPTH.
 4. IN WET OR WASHDOWN APPLICATIONS WE RECOMMEND THE USE OF HERMETICALLY SEALED LOAD CELLS, AND THAT THE JUNCTION BOX BE MOUNTED REMOTELY IN A DRY LOCATION.
 5. WIRE MESH TO HAVE MINIMUM .75 COVER BOTTOM AND SIDES.
- △ ON STAINLESS STEEL VERSIONS, TWO PIECES OF 2 INCH ANGLE WILL BE SUBSTITUTED FOR THE 4 INCH CHANNEL.



Model 350-10-8S

Standard Features

- Two wheels for portability
- Dual ramp
- Metal nonslip platform
- Safety side rails
- Push-button LCD display
- Motiontrap™ movement compensation technology
- Unit of measure toggle or locking
- EMR capable
- Serial and USB data communication ports
- Bluetooth® BLE 4.0 available, part number selectable
- Tare function
- Hold function
- BMI (body mass index) function
- Factory calibrated

Specifications

- Capacity:**
1,000 × 0.2 lb (450 × 0.1 kg)
- Platform Dimensions Without Ramps:**
(L × W × H)
29.5 × 35.0 × 2.4 in
- Platform Dimensions with Wheels and Ramps:**
(L × W × H)
63.7 × 34.2 × 3.7 in
- Power:**
9 VDC, provided by six AA alkaline batteries (included) or AC adapter (optional)

Battery Type:

Six AA alkaline (included)

Battery Use:

25 hours continuous use with batteries
Automatic power-off can be configured

Operating Temperature:

50 °F to 104 °F (10 °C to 40 °C)

Cable Length:

7 ft (2.1 m) cable between scale base and indicator

Display:

5-digit LCD display, 0.75 in (1.9 cm) digit height

Approvals:

c-Met, E113986

Warranty:

Two-year limited

Part Number/Price

| Part # | Model # | Capacity | Price |
|--------|--------------|---|------------|
| 203622 | 350-10-8S | 1,000 × 0.2 lb (450 × 0.1 kg) with USB | \$2,095.00 |
| 203623 | 350-10-8SBLE | 1,000 × 0.2 lb (450 × 0.1 kg) with Bluetooth® BLE 4.0 | \$2,330.00 |

Shipping Weight

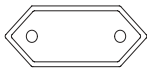
| Part # | Model # | L × W × H | Package Wgt. (lb) | Dim Wgt. (lb) | Shipping Wgt. (lb) |
|--------|--------------|------------------|-------------------|---------------|--------------------|
| 203622 | 350-10-8S | 67.2 × 36 × 6 in | 154 | 104 | 154 |
| 203623 | 350-10-8SBLE | 67.2 × 36 × 6 in | 154 | 104 | 154 |

Options/Accessories

| Part # | Description | Price |
|-----------|---|----------|
| 133077 † | 9 VDC adapter, 120 V/230 V auto switching | \$30.00 |
| 102508 †† | 9 VDC adapter, 230 V | \$30.00 |
| 81076 | Epson TM-U220 tape printer | \$445.00 |
| 186830 | Printer cable, 25-pin D-Sub male to RJ-45, 6 ft | \$69.00 |



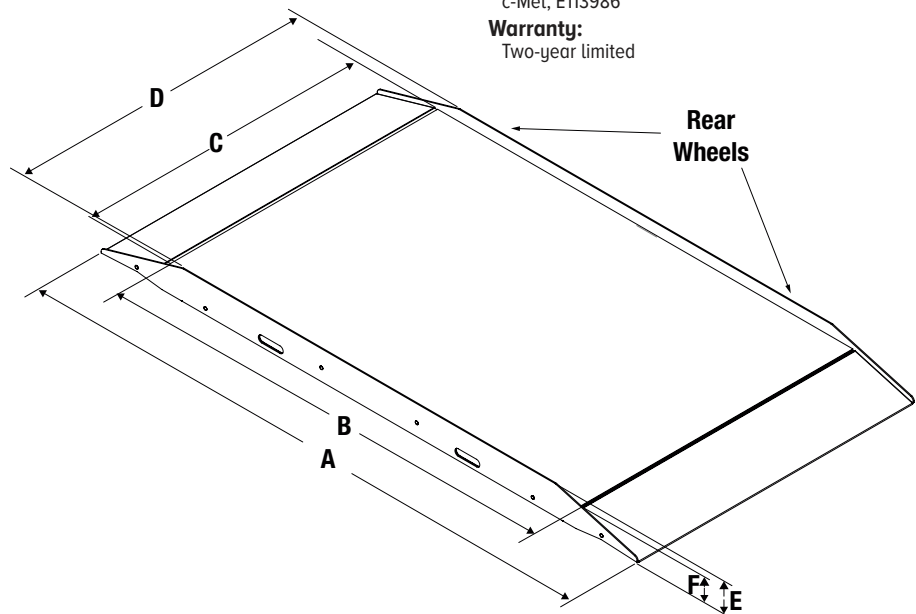
† NEMA 1-15 Plug



†† CEE 7/16 Plug

Dimensions

| | Inches | Centimeters |
|---|--------|-------------|
| A | 63.80 | 162.0 |
| B | 49.30 | 125.3 |
| C | 32.70 | 83.1 |
| D | 32.90 | 83.6 |
| E | 3.90 | 9.8 |
| F | 2.60 | 6.7 |



Hazardous Location Instrumentation

TABLE OF CONTENTS

| | |
|--|------------|
| Explosive Environment Equipment Policy | 592 |
| Hazardous Area Classification | 593 |
| Explosive Environment Solutions | 594 |
| Hazardous Atmospheres | 595 |
| 882IS/882IS Plus | 596 |
| <i>Intrinsically Safe Digital Weight Indicator</i> | |
| EL232 XPCD | 600 |
| <i>Explosion Proof Remote Serial Display</i> | |
| Intrinsic Safety Barriers | 601 |

Product names, logos, brands and other trademarks featured
or referred to within this publication are the property of their respective trademark holders.

Explosive Environment Equipment Policy

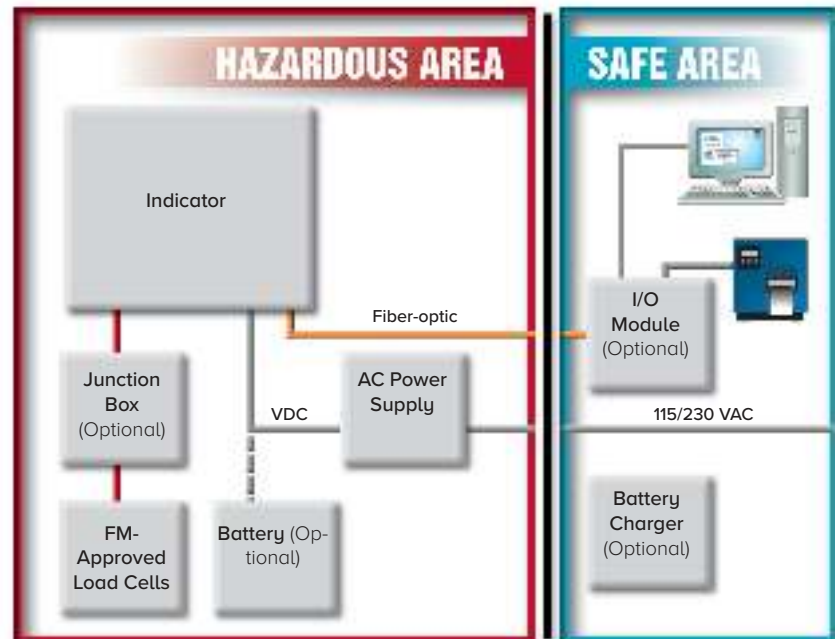


Caution: The equipment contained within this Explosive Environment section requires greater attention to specification and installation guidelines. Improper specification, installation or service of these products can result in loss of equipment or serious injury.

Rice Lake Weighing Systems has assembled the very best intrinsically safe and explosion-proof equipment. In order to properly specify, install and service this equipment, it is necessary that our distributors understand and appreciate the possible risks involved.

Persons involved in selection and installation of intrinsically safe equipment should have knowledge of but not limited to the following:

- Explosive environment designations: Class, Division and Group
- Standards and codes applicable to hazardous environment equipment
- Equipment liability
- Theory of intrinsically safe, explosion-proof and purged systems
- Equipment specification guidelines
- Proper installation procedures
- Service precautions
- NFPA 70, "National Electrical Code (NEC) Handbook"
- NFPA 496, "Classification of Gases, Vapors, and Dusts for Electrical Equipment in Hazardous (Classified) Locations"
- ANSI/UL 913, "Standard for Intrinsically Safe Apparatus and Associated Apparatus for use in Class I, II and III, Division 1 Hazardous Locations"
- ANSI/ISA RP 12.6, "Installation of Intrinsically Safe Instrument Systems for Hazardous (Classified) Locations"
- FM Approval Standard 3610, "Approval Standard, Intrinsically Safe Apparatus and Associated Apparatus for use in Class I, II and III, Division 1 Hazardous Locations"
- FM Approval Standard 3615, "Approval Standards, Explosion Proof Electrical Equipment"
- "Electrical Installations in Hazardous Locations"



Plant Safety Engineers and Certified Electricians should always be involved in the specification and installation of any explosive environment equipment.

Please see Hazardous Area Classification on page 593 for assistance in selecting hazardous area control equipment for your application requirements.

Hazardous Area Classification

For PDF version visit www.ricelake.com

For assistance in selecting hazardous area control equipment for your application requirements, please complete this form and submit, along with a description of the application, to:



Rice Lake Weighing Systems

Attn: Hazardous Environment
 230 West Coleman Street
 Rice Lake, WI 54868
 Telephone: 715-234-9171 • Fax: 715-234-6967

| | | |
|--------------------------------------|------------------------------------|-------------------------------|
| RLWS File #: _____ | Date: _____ | For Rice Lake Office Use Only |
| Sales Order #: _____ | Checked by: _____ | |
| Equipment PN#(s) & #(s): _____ | | |
| Factory Mutual Not Applicable: _____ | (International Orders Only): _____ | |

HAZARDOUS LOCATION INSTRUMENTATION

RICE LAKE CUSTOMER INFORMATION:

Rice Lake Customer Name: _____ Customer Number: _____

Address: _____

City: _____ State: _____ Zip: _____

Telephone: (_____) _____ Fax: (_____) _____

Contact Name: _____
(Printed name) (Signature) (Date)

Authorized Signature: _____
(Printed name) (Signature) (Date)

END USER INFORMATION:

End User Company Name: _____

Address: _____

City: _____ State: _____ Zip: _____

Telephone: (_____) _____ Fax: (_____) _____

Contact Name: _____
(Printed name) (Signature) (Date)

Authorized Signature: _____
(Printed name) (Signature) (Date)

Title: _____

(The following information is to be defined and completed by the END USER'S plant safety engineer or other authorized party.)

Hazardous Area Classification: Class _____, Division _____, Group _____, Temperature Class _____, Zone _____, Group _____, Temperature Class _____

Specific Hazard/Material (please print): _____

Defining Individual: _____
(Printed name) (Signature) (Date)

Defining Authority (Title): _____

Please retain a copy of this completed form for your records.

Explosive Environment Solutions



Caution: The equipment contained within this Explosive Environment section requires greater attention to specification and installation guidelines. Improper specification, installation or service of these products can result in loss of equipment or serious injury.

EXPLOSION PROOF SYSTEM

What is an explosion-proof indicator?

It is simply a digital weight indicator enclosed in a special case. The purpose of an explosion-proof indicator is not, as the name suggests, to protect the indicator. Instead, the case prevents any explosion WITHIN the case from causing subsequent fire or explosion in the surrounding atmosphere.

For example, in a grain elevator application, combustible dusts (Class II hazardous atmosphere) may be present. A spark in a non-explosion-proof indicator could ignite an elevator-wide explosion. However, with an explosion-proof indicator, the spark (or even an explosion) is contained within the case. The hazardous atmosphere cannot be ignited, and the elevator is protected.

ADVANTAGES

- Explosion containment
- Requires low maintenance
- No electronics
- No moving parts

DISADVANTAGES

- Cannot indicate failure of containment capability
- Cost of protection per cubic foot increases with enclosure size
- Promotes condensation
- Cumbersome, limited access
- Causes harmful heat buildup
- Limited sizes
- Bulky designs
- Excessive weight

PURGE SYSTEM

Purged systems are ideal for hazardous environments and use positive pressure to prevent particles, gases and fibers from entering the controller enclosure. As an added safeguard, a differential pressure switch automatically cuts off power when the pressure falls below the acceptable level. Type X, Y and Z purging hardware is available that meets National Fire Protection Association (NFPA) article 496 guidelines.

The three configurations are as follows:

Type X Pressurizing: Reduces the classification within the protected enclosure from Division 1 to Safe.

Type Y Pressurizing: Reduces the classification within the protected enclosure from Division 1 to Division 2.

Type Z Pressurizing: Reduces the classification within the protected enclosure from Division 2 to Safe.

ADVANTAGES

- Reduces heat buildup
- Inhibits metal corrosion
- Requires low maintenance
- Increases equipment longevity
- Allows fast access to equipment
- Reduces moisture and dust buildup
- Reduces classification within enclosure
- Continuous system status indication
- Protects enclosures up to 450 cubic feet
- Allows use of any enclosure shape
- Cost of protection per cubic foot decreases with enclosure size

DISADVANTAGES

- Contains moving parts
- Requires instrument air supply
- Some systems contain electronics
- Some systems require electrical power

INTRINSICALLY SAFE BARRIER SYSTEM

Intrinsically safe load cells and safety barriers take the explosion proof principle a step further. Intrinsic safety ensures the indicator's electrical wiring and components are, by design, incapable of releasing enough energy to ignite flammable or combustible atmospheric mixtures in their most easily ignitable concentrations. In short, an intrinsically safe device eliminates the conditions for an explosion, no matter what the circumstances.

ADVANTAGES

- Limits energy to device
- Requires low maintenance
- No moving parts
- Ideal for sensors

DISADVANTAGES

- One barrier is required for each conductor
- Project cost increases with number of conductors
- Offers no protection against heat, moisture and dust
- Requires protection or installation in nonclassified area
- 24 VDC, 50 mA maximum power and signal strength limit

Hazardous Atmospheres

(for reference only)

Hazardous atmospheres are divided into three general classes and two divisions:

CLASS I:

Flammable gases or vapors

CLASS II:

Combustible dusts

CLASS III:

Ignitable fibers or flyings

DIVISION 1:

Hazard exists under normal conditions

DIVISION 2:

Hazardous material is handled, processed or stored. Hazard is not normally present, but may be released due to accident or equipment malfunction.

CLASS I:

Flammable Gases or Vapors

CLASS I, GROUP A:

- Acetylene

CLASS I, GROUP B:

- Acrolein (inhibited)
- Arsine
- Outadiene
- Ethylene oxide
- Hydrogen
- Manufactured gases containing more than 30% hydrogen by volume
- Propylene oxide
- Propylnitrate

CLASS I, GROUP C:

- Acetaldehyde
- Allyl alcohol
- N-butylaldehyde
- Carbon monoxide
- Crotonaldehyde
- Cyclopropane
- Diethyl ether
- Diethylamine
- Epichlorohydrin
- Ethylene
- Ethylenimine
- Ethyl mercaptan
- Ethyl sulfide
- Morpholine
- 2-nitropropane
- Tetrahydrofuran
- Unsymmetrical dimethyl hydrazine
- (UMDH 1, 1-dimethyl hydrazine)

CLASS I, GROUP D:

- Acetic acid
- Acetone
- Acrylonitrile
- Ammonia
- Benzene
- Butane
- 1-butanol (butyl alcohol)
- 2-butanol (secondary butyl alcohol)
- N-butyl acetate
- Isobutyl acetate
- Di-isobutylene
- Ethane
- Ethanol (ethyl alcohol)
- Ethyl acetate
- Ethyl acrylate (inhibited)
- Ethylene diamine (anhydrous)
- Ethylene dichloride
- Ethylene glycol monomethyl ether
- Gasoline
- Heptanes
- Hexanes
- Isoprene
- Isopropyl ether
- Mesityl oxide
- Methane (natural gas)
- Methanol (methyl alcohol)
- 3-methyl 1-butanol (isoamyl alcohol)
- Methyl ethyl ketone
- 2-methyl 1-propanol (isobutyl alcohol)
- 2-methyl 2-propanol (tertiary butyl alcohol)
- Petroleum naphtha
- Pyridine
- Octanes
- Pentanes
- 1-pentanol (amyl alcohol)
- Propane
- 1-propanol (propyl alcohol)
- 2-propanol (isopropyl alcohol)
- Propylene
- Styrene
- Toluene
- Vinyl acetate
- Vinyl chloride
- Xylenes

CLASS II:

Combustible Dusts

CLASS II, GROUP E:

Atmospheres containing:

- Aluminum, magnesium or their commercial alloys
- Metals of similarly hazardous characteristics with a resistivity of 100 ohm per centimeter

CLASS II, GROUP F:

Atmospheres containing:

- Carbon black, charcoal, coal or coke dusts containing more than 8 percent total volatile material
- Dusts sensitized by other materials, presenting an explosion hazard and having a resistivity greater than 100 ohm per centimeter and equal to or less than 100 megohm per centimeter

CLASS II, GROUP G:

Atmospheres containing:

- Flour
- Starch
- Grain
- Combustible plastics or chemical dusts having resistivity greater than 1 megohm per centimeter

CLASS III:

Ignitable Fibers or Flyings

Atmospheres containing:

- Rayon
- Cotton
- Other textiles

Combustible fiber manufacturing and processing plants such as:

- Cotton gins
- Cottonseed mills
- Flax processing plants
- Clothing manufacturing plants
- Sawmills
- Other woodworking locations

Easily ignitable fibers including:

- Rayon
- Cotton (including cotton linters and cotton wastes)
- Sisal or henequen
- Istle
- Jute
- Hemp
- Tow
- Cocoa
- Oakum
- Baled waste kapok
- Spanish moss
- Excelsior
- Sawdust
- Wood chips

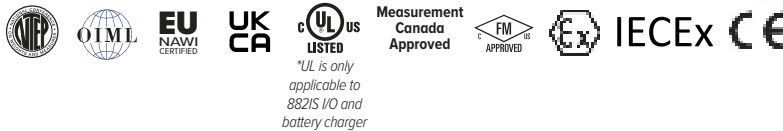
882IS/882IS Plus

Intrinsically Safe Digital Weight Indicator

HAZARDOUS LOCATION
INSTRUMENTATION



Approvals



Standard Features

- LCD display with white LED backlight
- T4 temperature rating
- Battery life display icon
- Numeric keypad (882IS Plus)
- Duplex fiber -optic interface
- Power ON/OFF; battery save mode
- Configurable local/remote mode
- I/O module option: one serial port, optional analog output, optional fieldbus cards, Ethernet TCP/IP
- Time and date (requires I/O module)
- Setpoint functionality using secondary 920i® indicator
- FM Entity Approved for use in hazardous locations per Rice Lake Weighing Systems control drawing file number 180948

Rice Lake Weighing Systems warrants that all Rice Lake Weighing Systems intrinsically safe (IS) equipment and systems installed by a qualified electrician will operate per written specifications as confirmed by the distributor/OEM and accepted by. All systems and components are warranted against defects in materials and workmanship for one year. All Rice Lake intrinsically safe equipment carries a Factory Mutual approval and is documented on various control drawings. Each device is manufactured by Rice Lake factory authorized personnel. To preserve the warranty and Factory Mutual approval, all repairs or replacement of circuit boards or components housed within the enclosures must be performed by Rice Lake factory authorized personnel.



CAUTION! The equipment contained within this Explosive Environment section requires greater attention to specification and installation guidelines. Improper specification, installation or service of these products can result in loss of equipment or serious injury.

Specifications

Power:

Input: 5.8 to 7.9 VDC, 100 to 175 mA

Power Consumption:

0.25 W

Battery (optional):

60 hours with 4 × 350 ohm load cells
80 to 100 hours with 1 × 350 ohm load cell
8 to 10 hour charging time

Load Cell Excitation:

3.0 VDC at 87.5 ohm, 4.6 VDC at 700 ohm

Load Cell Current:

34 mA 4 × 350 ohm load cells or 8 × 700 ohm load cells

Load Cell Cabling:

Four- and six- wire with remote sensing (recommended)

Analog Signal Input Range:

-0.5 mV/V to 4.0 mV/V

Analog Signal Sensitivity:

0.2 µV/graduation minimum
1.5 µV/graduation recommended

Resolution:

Internal: 1,000,000 counts

Display: 10,000

The maximum number of allowed graduations will vary by application

Conversion Rate:

60 updates/second

Annunciators:

Center of zero, gross, net, motion, lb, kg, oz, g

Motion Band:

Configurable to ± 1 or ± 3 graduations,
1 second delay (or Off)

Display Increments:

1, 2, 5

Display:

Seven-digit, seven-segment LCD display 121 × 24 dot matrix messaging area with white LED backlight

Keys/Buttons:

Flat membrane panel, tactile feel

882IS: zero, gross/net, tare, print, units conv, start, stop, on/off

882IS Plus: zero, gross/net, tare, print, units conv, start, stop, full numeric keypad, on/off

Temperature:

14 °F to 104 °F (-10 °C to 40 °C)

Rating/Material:

IP66 enclosure

Stainless steel

Weight:

6.1 lb (2.8 kg)

Warranty:

One-year limited

Intrinsic Safety:

FM/cFM

Class I,II,III, Division 1, Groups ABCDEFG T4

Class I, Zone 0 AEx/Ex ia IIC T4 Ga

Zone 21 AEx/Ex ib IIC T135°C Db

Ta = -10 °C to 40 °C (14 °F to 104 °F)

ATEX/IECEX

II 1 G Ex ia IIC T4 Ga

II 2 D Ex ib IIC T135°C Db

Approvals:

NTEP CC 19-015

Measurement Canada AM-6124C

OIML R76/2006-A-NL1-21.11

EU Test Certificate T11166

CE Marked

UKCA

cULus Listed*

FM Entity

EX-ATEX

IECEX

*cULus is only applicable to 882IS I/O and battery charger

882IS/882IS Plus

Intrinsically Safe Digital Weight Indicator

Part Number/Price

| Part # | Description | Price |
|-------------------|--|------------|
| 882IS | | |
| 195091 | 882IS 7.5 VDC with standard tilt stand | \$1,845.00 |
| 185288† | 882IS with battery and charger (North American plug) | \$2,945.00 |
| 194231†† | 882IS with battery and charger (EU plug) | \$2,945.00 |
| 194232††† | 882IS with battery and charger (UK plug) | \$2,945.00 |
| 196273†††† | 882IS with battery and charger (AU plug) | \$2,945.00 |
| 185290 | 882IS with power supply with 10 ft cable | \$3,245.00 |
| 194235 | 882IS indicator with power supply and metric thread adapter | \$3,245.00 |
| 882IS Plus | | |
| 195092 | 882IS Plus 7.5 VDC with standard tilt stand | \$1,845.00 |
| 185291† | 882IS Plus with battery and charger (North American plug) | \$2,945.00 |
| 194233†† | 882IS Plus with battery and charger (EU plug) | \$2,945.00 |
| 194234††† | 882IS Plus with battery and charger (UK plug) | \$2,945.00 |
| 196274†††† | 882IS Plus with battery and charger (AU plug) | \$2,945.00 |
| 185293 | 882IS Plus with power supply | \$3,245.00 |
| 194236 | 882IS Plus indicator with power supply and metric thread adapter | \$3,245.00 |

Parts/Accessories

| Part # | Description | Price |
|------------|---|------------|
| 180831 | Battery option, IS6V2 | \$845.00 |
| 194191† | Battery charger, IS6V2, 100-240 VAC NEMA 5-15 (North American plug) | \$345.00 |
| 194189†† | Battery charger, IS6V2 100-240 VAC (EU plug) | \$345.00 |
| 194192††† | Battery charger, IS6V2 100-240 VAC (UK plug) | \$345.00 |
| 197591†††† | Battery charger, IS6V2 100-240 VAC (Australian plug) | \$345.00 |
| 180837 | Power supply, 882IS mb-EPS-100-240-X2, dual output 6.8 VDC 200 mA | \$1,295.00 |
| 195109 | Power supply, 882IS mb-EPS-100-240-X2, dual output 6.8 VDC 200 mA, 1/2 in NPT-M20 | \$1,345.00 |
| 179668 | Cable, M12 power 22 in hazardous location (for battery version) | \$95.00 |
| 179669 | Cable, M12 power 10 ft hazardous location | \$195.00 |
| 179670 | Cable, M12 power 50 ft hazardous location | \$245.00 |
| 179671 | Cable, M12 power 100 ft hazardous location | \$445.00 |
| 190979 | Lockout device for M12 cable | \$25.00 |
| 163751 | Tilt stand, 882IS | \$45.00 |
| 179678 | Tilt stand, 882IS battery option | \$55.00 |
| 177850 | Panel mount option, gasketed non-NEMA seal | \$255.00 |
| 206735 | Battery tester, 882IS | \$445.00 |
| 223864 | Knob, Stainless Steel M6 x 1.0 inch | \$15.00 |



† US plug (NA) - Type B



†† Euro Plug - Type E



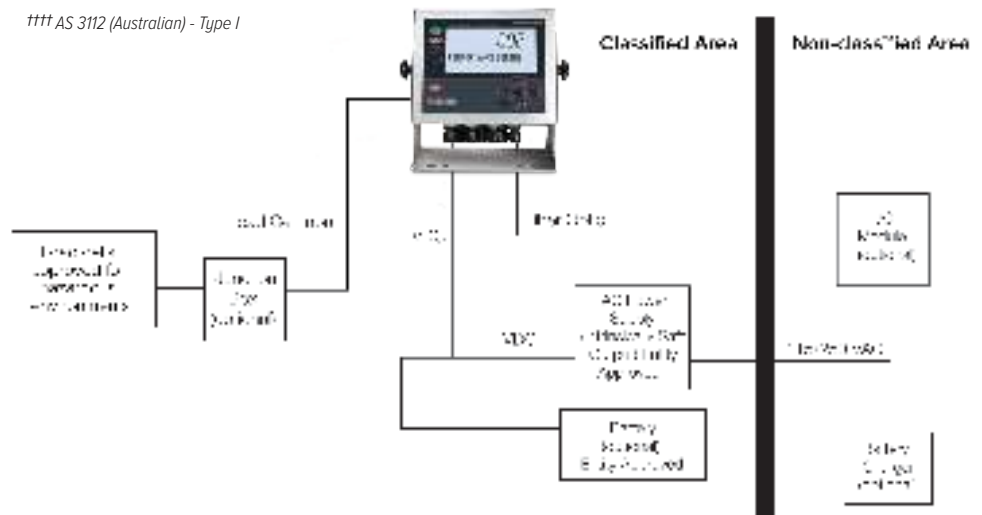
††† BS1363 (UK) - Type G



†††† AS 3112 (Australian) - Type I



PN 206735



Complete Control Drawings available at www.ricelake.com

HAZARDOUS LOCATION
INSTRUMENTATION

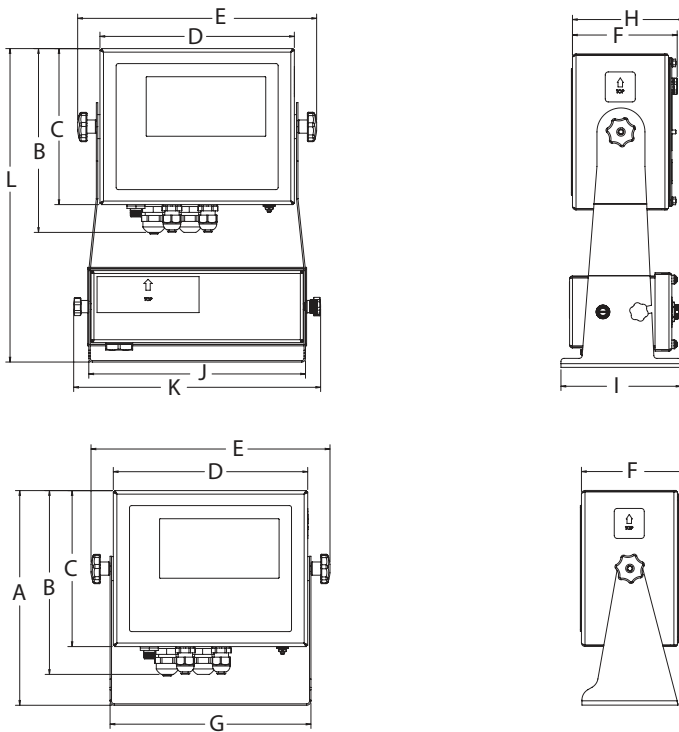
882IS/882IS Plus

Intrinsically Safe Digital Weight Indicator

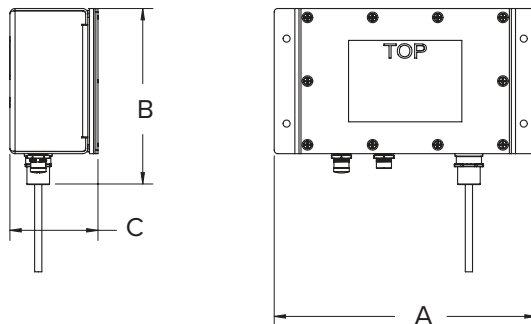
Dimensions

| 882IS/882IS Plus | | | |
|--------------------------------------|------------------|---|-------------------|
| Without Battery | | | |
| A | 8.94 in (227 mm) | E | 9.96 in (253 mm) |
| B | 7.66 in (195 mm) | F | 4.36 in (111 mm) |
| C | 6.50 in (165 mm) | G | 8.37 in (213 mm) |
| D | 8.10 in (206 mm) | | |
| With Optional Battery and Tilt Stand | | | |
| H | 4.64 in (118 mm) | K | 10.29 in (261 mm) |
| I | 5.00 in (127 mm) | L | 13.06 in (332 mm) |
| J | 9.03 in (229 mm) | | |

HAZARDOUS LOCATION INSTRUMENTATION



| 882IS/882IS Plus | | | |
|-----------------------|------------------|---|-----------------|
| Optional Power Supply | | | |
| A | 9.25 in (235 mm) | C | 3.11 in (79 mm) |
| B | 6.20 in (158 mm) | | |



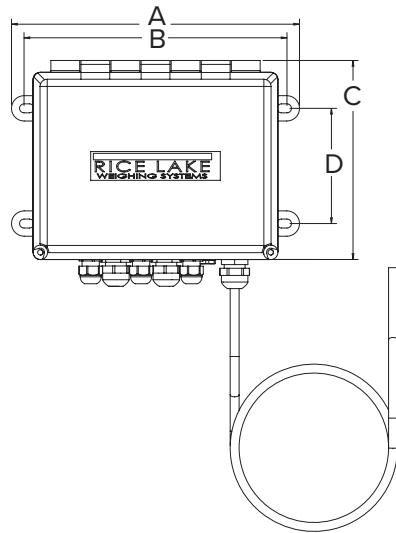
Optional I/O Module

| Part # | Description | Price |
|--|---|------------|
| 177709 | Module, 882 Smart I/O interface | \$1,025.00 |
| 196166 | Module, 882 Smart I/O (EU power cord) | \$1,025.00 |
| 196769 | Option, fiber/RS232 6 × 6 FRP enclosure, fiber-optic 232 converter, external power supply | \$575.00 |
| 196770 | Option, fiber/RS422 6 × 6 FRP enclosure, fiber-optic RS422 converter, external power supply | \$575.00 |
| 78026 | Cable, plastic optical 100 ft. includes polishing kit | \$175.00 |
| 78027 | Cable, plastic optical 200 ft. includes polishing kit | \$328.00 |
| 197384 | Kit, polishing POF cable | \$65.00 |
| Option Cards | | |
| 190528 | Single analog output (0-10VDC, 0-20 mA, 4-20 mA) | \$425.00 |
| 190530 | 882 option, Ethernet/IP | \$620.00 |
| 190531 | 882 option, DeviceNet | \$620.00 |
| 190532 | 882 option, ProfiNet | \$620.00 |
| 190534 | 882 option, Profibus | \$620.00 |
| 190533 | 882 option, Modbus TCP | \$620.00 |
| 190535 | 882 option, EtherCAT | \$620.00 |
| Remote Indicator for Setpoint Functionality | | |
| 203343 | 920i universal indicator, 115 VAC, no A/D, with 882IS iRite software for setpoints | \$3,225.00 |
| 203344 | 920i wall mount indicator, 115 VAC, no A/D, with 882IS iRite software for setpoints - required fiber converts (PN 196769 and PN 196770) | \$3,895.00 |

**HAZARDOUS LOCATION
INSTRUMENTATION**

Dimensions

| 882IS/882IS Plus | | | |
|---------------------|-------------------|---|------------------|
| Optional I/O Module | | | |
| A | 10.00 in (254 mm) | C | 6.91 in (176 mm) |
| B | 9.13 in (232 mm) | D | 4.00 in (102 mm) |



INTRINSICALLY SAFE

EL232 XPCD

Explosion Proof Remote Serial Display



HAZARDOUS LOCATION
INSTRUMENTATION

NOTE: Custom enclosures as requested. All explosion-proof devices are now built-to-order, so please coordinate purchase of these items with one of our application specialists.

Standard Features

- 20 mA current loop or RS-232 input
- Compatible with most Rice Lake indicators
- NEMA Type 4, 7CD, 9EFG enclosure

Specifications

Input Voltage:

115 VAC, 60 Hz

NEC Classifications:

Class I, Division 1, Groups C & D; Class II, Division 1, Groups E, F & G and Class III hazardous environments

Baud Rate:

1200, 2400, 4800 and 9600

Interfaces:

20 mA current loop and RS-232

Please consult factory for model numbers and interface requirements

Display:

High-intensity, red LED, 0.8 in (20.3 mm) high digits

Weight:

Approximately 60 lb (27.2 kg)

Warranty:

One-year limited

Part Number/Price

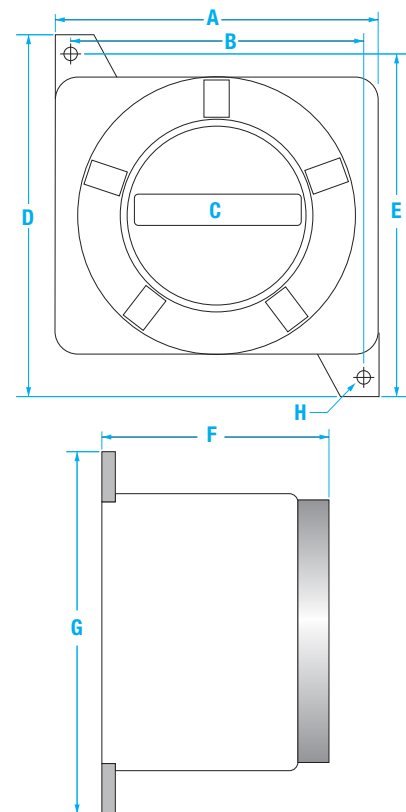
| Part # | Description | Est. Weight | Price |
|--------|--|-------------|------------|
| 20904 | EL232 XPCD explosion proof remote serial display | 60 lb | \$7,675.00 |

Dimensions

| EL232 XPCD | | | |
|------------|---------------------|---|--------------------------------------|
| A | 10.50 in (266.7 mm) | E | 10.50 in (266.7 mm) |
| B | 9.50 in (241.3 mm) | F | 7.50 in (190.5 mm) |
| C | 5.81 in (147.7 mm) | G | 11.75 in (298.5 mm) (glass diameter) |
| D | 11.75 in (298.5 mm) | H | 7/16 in (11 mm) dia holes |



CAUTION! The equipment contained within this Explosive Environment section requires greater attention to specification and installation guidelines. Improper specification, installation or service of these products can result in loss of equipment or serious injury.





Standard Features

- Each system features excitation, sense and signal barriers
- Available in an enclosure for external mounting or in a chassis mount version
- R Stahl® and Pepper&Fuchs barriers that are approved by Factory Mutual (FM)



Specifications

| Part # | Voltage Range | Nominal Resistance | Open Circuit Voltage | Short Circuit Current | Classifications |
|---|---------------|--------------------|----------------------|-----------------------|--|
| 31201: + Excitation 9001/01-158-390-101 | +12 VDC | 55 ohm | 15.8 VDC | 390 mA | FM approved, UL listed, CSA certified, SA, CE marked |
| 31202: ± Excitation 9002/10-187-270-001 | ±6 VDC | 46 ohm | 9.3 VDC | 270 mA | FM approved, UL listed, CSA certified, SA, CE marked |
| 31540: + Excitation 9001/01-083-442-101 | +6 VDC | 26 ohm | 8.3 VDC | 442 mA | FM approved, UL listed, CSA certified, SA, CE marked |
| 70724: + Sense 9001/01-086-075-101 | +6 VDC | 129 ohm | 8.6 VDC | 41 mA | FM approved, UL listed, CSA certified, SA, CE marked |
| 30263: ± Signal 9002/77-093-040-001 | ±6 VDC | 519 ohm | 9.3 VDC | 20 mA | FM approved, UL listed, CSA certified, SA, CE marked |
| 31542: RS-232 9002/77-093-300-001 | ±6 VDC | 76.6 ohm | 9.3 VDC | 150 mA | FM approved, UL listed, CSA certified, SA, CE marked |
| 30264: ± Sense 9002/10-187-020-001 | ±6 VDC | 516.5 ohm | 9.33 VDC | 20 mA | FM approved, UL listed, CSA certified, SA, CE marked |
| 30266: - Excitation 9001/00-086-390-101 | -6 VDC | 30 ohm | 8.6 VDC | 390 mA | FM approved, UL listed, CSA certified, SA, CE marked |
| 69491: - Excitation 9001/02-016-150-111 | ±0.7 VDC | 20 ohm | 1.64 VDC | 150 mA | FM approved, UL listed, CSA certified, SA, CE marked |
| 69492: + Sense 9001/01-168-020-101 | +12 VDC | 918 ohm | 16.8 VDC | 20 mA | FM approved, UL listed, CSA certified, SA, CE marked |
| 69493: - Sense 9001/02-016-015-101 | ±0.7 VDC | 127 ohm | 1.64 VDC | 15 mA | FM approved, UL listed, CSA certified, SA, CE marked |
| 72521: + Excitation 9001/01-199-390-101 | +16 VDC | 67 ohm | 19.9 VDC | 390 mA | FM approved, CSA certified, CE marked |
| 30265: + Excitation 9001/01-086-390-101 | +6 VDC | 30 ohm | 8.6 VDC | 390 mA | FM approved, CSA certified, CE marked |
| 221779: + Excitation Barrier, Z713 | +13.7 VDC | 22 ohm | 15.75 VDC | 160 mA | FM Approved, cULus, ATEX, IECEX |
| 221663: - Excitation Barrier, Z813 | -13.7 VDC | 22 ohm | 15.75 VDC | 160 mA | FM Approved, cULus, ATEX, IECEX |
| 221662: ± EX Barrier, Z966 | ±10 VDC | 166 ohm | 12 VDC | 50 mA | FM Approved, cULus, ATEX, IECEX |
| 221660: ± Signal Barrier, Z961 | ±6.5 VDC | 100 ohm | 8.7 VDC | 100 mA | FM Approved, cULus, ATEX, IECEX |
| 221661: ± Sense Barrier, Z964 | ±10 VDC | 1000 ohm | 12 VDC | 50 mA | FM Approved, cULus, ATEX, IECEX |

HAZARDOUS LOCATION INSTRUMENTATION

Intrinsic Safety Barriers

Part Number/Price

| Part # | Description | Est. Weight | Price |
|---|--|-------------|------------|
| Stahl Barriers #1: (For models with +5 and -5 Volt excitation (10 volt)) | | | |
| 31202 | 9002/10-187-270-001, ± excitation barrier | 1 lb | \$595.00 |
| 30264 | 9002/10-187-020-001, ± sense barrier | 1 lb | \$595.00 |
| 30263 | 9002/77-093-040-001, ± signal barrier | 1 lb | \$725.00 |
| 109663 | DIN rail mounted kit #1 (includes 31202, 30264, 30263) | 2 lb | \$1,610.00 |
| Barrier Kit #2: (For models with + 10 Volt excitation) | | | |
| 31201 | 9001/01-158-390-101, + excitation barrier | 1 lb | \$495.00 |
| 69491 | 9001/02-016-150-111, - excitation barrier | 1 lb | \$495.00 |
| 69492 | 9001/01-168-020-101, + sense barrier | 1 lb | \$495.00 |
| 69493 | 9001/002-016-015-101, - sense barrier | 1 lb | \$495.00 |
| 30263 | 9002/77-093-040-001, ± signal barrier | 1 lb | \$725.00 |
| Barrier Kit #3: (For models with + 5 Volt excitation) | | | |
| 31540 | 9001/01-083-442-101, + excitation barrier | 1 lb | \$375.00 |
| 69491 | 9001/02-016-150-111, - excitation barrier | 1 lb | \$495.00 |
| 30263 | 9002/77-093-040-001, ± signal barrier | 1 lb | \$725.00 |
| If sense leads are required for above, use the following: | | | |
| 199867 | 900/01-086-075-101, + sense barrier | 1 lb | \$825.00 |
| 69493 | 9001/02-016-015-10, - sense barrier | 1 lb | \$495.00 |
| Miscellaneous Barriers: | | | |
| 30266 | 9001/00-086-390-101, - excitation barrier | 1 lb | \$495.00 |
| 30265 | 9001/01-086-390-101, + excitation barrier | 1 lb | \$675.00 |
| 72521 | 9001/01-199-390-101, + excitation barrier | 1 lb | \$525.00 |
| 197643 | Barrier, dual channel, RS-422 | 1 lb | \$850.00 |
| 31542 | 9002/77-093-300-001, RS-232 | 1 lb | \$595.00 |

HAZARDOUS LOCATION
INSTRUMENTATION

| | | | |
|--|---------------------------|------|----------|
| Peprl-Fuchs Barrier Kit #1 for multiple load cell applications: | | | |
| 221779 | Barrier, Z713 +Excitation | 1 lb | \$345.00 |
| 221663 | Barrier, Z813 -Excitation | 1 lb | \$745.00 |
| 221661 | Barrier, Z964 +/- Sense | 1 lb | \$365.00 |
| 221660 | Barrier, Z961 +/- Signal | 2 lb | \$375.00 |
| Peprl-Fuchs Barrier Kit #2 for single load cell applications: | | | |
| 221662 | Barrier, Z966 +/- EX | 1 lb | \$385.00 |
| 221661 | Barrier, Z964 +/- Sense | 1 lb | \$365.00 |
| 221660 | Barrier, Z961 +/- Signal | 2 lb | \$375.00 |

Options/Accessories

| Part # | Description | Price |
|--------|--|----------|
| 33531 | DIN rail, 6 in length | \$15.00 |
| 35815 | IS barrier installation manual | \$15.00 |
| 110424 | FRP enclosure, up to 4 barriers (not included) | \$295.00 |
| 22828 | Ground terminal block | \$25.00 |
| 42219 | Fuse, IS Barrier 160mA for Stahl barriers | \$15.00 |
| 208123 | Isolator, barrier mount | \$5.00 |

Indicators / Controllers

TABLE OF CONTENTS

| | | | | | |
|---|------------|--|------------|--|------------|
| 120/120 Plus | 512 | 920i® FlexWeigh Systems | 555 | EtherCAT® Interface | 575 |
| <i>Digital Weight Indicator</i> | | <i>Hand Batching</i> | | <i>880*/882D/882IS/1280™</i> | |
| IQ Plus® 210 | 514 | MSI-8000HD | 556 | TranSend™ MSI-7000 | 576 |
| <i>Digital Weight Indicator</i> | | <i>Digital Weight Indicator/Remote Display</i> | | <i>Wireless Load Cell Interface System</i> | |
| CW-90 | 515 | MSI-8004HD | 558 | TranSend™ MSI-7001 | 577 |
| <i>Checkweigh Indicator</i> | | <i>Indicator/RF LED Remote Display</i> | | <i>Wireless Load Cell Interface System</i> | |
| CW-90X | 517 | SCT-1100 | 560 | TranSend™ MSI-7000HD | 579 |
| <i>Checkweigh Indicator</i> | | <i>Signal Conditioning Transmitter</i> | | <i>Wireless Load Cell Interface System</i> | |
| 380 Synergy Series | 519 | SCT-2200 | 561 | TranSend™ MSI-7001HD | 580 |
| <i>Digital Weight Indicator</i> | | <i>Signal Conditioning Transmitter</i> | | <i>Wireless Load Cell Interface System</i> | |
| 380X Synergy Series | 520 | SCT-3300 | 562 | SendIt™ | 581 |
| <i>Washdown Digital Weight Indicator</i> | | <i>Signal Conditioning Transmitter</i> | | <i>Wireless Load Cell Interface System</i> | |
| 381 Synergy Series | 521 | SCT-1SX | 563 | ConnexLink™ | 582 |
| <i>Battery Powered Digital Weight Indicator</i> | | <i>High-Speed Transmitter with Integrated Fieldbus and Webserver</i> | | <i>Wireless Radio 900 MHz Transceivers</i> | |
| 480/482 Legend® Series | 522 | SCT-4X | 564 | Industrial Broadband | 583 |
| <i>Digital Weight Indicator</i> | | <i>4-Channel Integrated Fieldbus Transmitter</i> | | Visible Lights and Audible Alarms | 584 |
| 680 Synergy Series | 524 | SCT-10 | 565 | Manual Pushbuttons/ Pushbutton Switches | 584 |
| <i>Digital Weight Indicator</i> | | <i>Signal Conditioning Transmitter</i> | | Nanostation | 584 |
| 682 Synergy Series | 526 | SCT-20 | 566 | | |
| <i>Digital Weight Indicator</i> | | <i>Signal Conditioning Transmitter</i> | | INDUSTRIAL CONTROL PRODUCTS | |
| 680HE Synergy Series | 528 | SCT-30 | 567 | Tripp-Lite USB to Serial Converter/Adapter | 585 |
| <i>Hostile Environment Digital Weight Indicator</i> | | <i>Signal Conditioning Transmitter</i> | | <i>Serial Adapters</i> | |
| 720i™ Series | 529 | SCT-40 | 568 | Amphenol® RJF 544 | 586 |
| <i>Programmable Weight Indicator and Controller</i> | | <i>Signal Conditioning Transmitter</i> | | <i>Harsh Environment Ethernet Connection System</i> | |
| 880/880 Plus Performance™ Series | 532 | FIELDBUS CARDS | | AbleCable® | 587 |
| <i>Programmable Weight Indicator and Controller</i> | | Profibus® DP Interface | 569 | <i>RS-232/USB Serial Smart Cable Direct, Keyboard Input Direct</i> | |
| 920i® Series | 535 | <i>720i*/920i®</i> | | go-between™ | 588 |
| <i>Programmable Weight Indicator and Controller</i> | | Profinet® I/O Interface | 569 | <i>Data Capture and Storage</i> | |
| 1280 Enterprise™ Series | 539 | <i>920i®</i> | | | |
| <i>Programmable Color Touchscreen Weight Indicator and Controller</i> | | DeviceNet™ Interface | 570 | | |
| Relays and Racks | 544 | <i>720i*/920i®</i> | | | |
| <i>Input/Output Components</i> | | ControlNet™ Interface | 570 | | |
| LaserLight3™ | 545 | <i>920i®</i> | | | |
| <i>Color Large-Display Weight Indicator</i> | | EtherNet/IP® Interface | 571 | | |
| LaserLT-60 and LaserLT-100 | 547 | <i>720i*/920i®</i> | | | |
| <i>Large-Display Digital Weight Indicators</i> | | Ethernet TCP/IP Interface | 572 | | |
| 1280 Enterprise™ Series User Programs | 548 | <i>720i*/920i®</i> | | | |
| | | Profibus® DP Interface | 573 | | |
| 920i® User Programs | 550 | <i>880*/882D/882IS/1280™</i> | | | |
| 920i® FlexWeigh Systems | 552 | PROFINET® Interface | 573 | | |
| <i>Fillers/Batchers</i> | | <i>880*/882D/882IS/1280™</i> | | | |
| 920i® FlexWeigh Systems | 554 | DeviceNet® Interface | 574 | | |
| <i>Bulkweighers and Flip Flop Fillers</i> | | <i>880*/882D/882IS/1280™</i> | | | |
| 920i® FlexWeigh Systems | 555 | MODBUS®-TCP Interface | 574 | | |
| <i>Flow Rate Controllers</i> | | <i>880*/882D/882IS/1280™</i> | | | |
| | | EtherNet/IP® Interface | 575 | | |
| | | <i>880*/882D/882IS/1280™</i> | | | |

Product names, logos, brands and other trademarks featured or referred to within this publication are the property of their respective trademark holders.

120/120 Plus

Digital Weight Indicator

INDICATORS /
CONTROLLERS



Approvals



Measurement
Canada
Approved



Standard Features

120

- LED display
- Configurable analog to digital measurement rate
- Primary/secondary units configuration: lb, kg, ounces, grams
- Five-button operation
- Two independent communication ports
- Programmable ticket format, up to two 180-character printout
- Full front-panel digital calibration and configuration
- Tilt stand
- Three-stage digital filtering
- Consecutive transaction numbering
- Time and date (volatile)

120 Plus

- LCD display
- Internal rechargeable lithium battery and wall adapter
- Power save feature for 700 hours of battery life
- Ten stored tare values
- Display hold (based on three second average)
- Time and date
- Configurable with Revolution® software

Specifications

Power:

120/120 Plus

Line voltages: 115 or 230 VAC
Frequency: 50 or 60 Hz

Battery Life:

120 Plus

60 hours with 1 x 350 ohm, 40 hours with
4 x 350 ohm load cells
Eight hour charge time

Excitation Voltage:

5 VDC, 4 x 350 ohm or 8 x 700 ohm load cells

Analog Signal Input Range:

-0.6 mV/V to 3.0 mV/V

Analog Signal Sensitivity:

0.3 μ V/graduation minimum,
1.5 μ V/grad recommended

A/D Sample Rate:

120: 3 to 30 Hz, software selectable

120 Plus: 30 Hz

Resolution:

Internal: 1,000,000 counts

Display: 10,000

System Linearity:

Within 0.01% of full scale

(Optional) Digital I/O:

120 Plus: Requires option card

24 volt source

Three digital inputs

Two digital outputs

Circuit Protection:

RFI, EMI, ESD protected

Load Cell Connection:

Cord grip entry

Detachable plug (optional)

Communication Port:

EDP port: Full duplex RS-232

Printer port: Output-only RS-232 or active 20 mA
current loop

Both ports: 9600, 4800, 2400, 1200, 600, 300bps;
Seven or eight data bits; even, odd or no parity

Annunciators:

120/120 Plus: Center of zero, standstill, gross, net,
lb, kg, oz, g

120 Plus: Battery, setpoint 1 and 2, Hold

Display:

120: 0.8 in (20 mm), six-digit red light emitting
diode (LED) display, seven-segment digits

120 Plus: 0.8 in (20 mm) six-digit LCD with
backlight, seven-segment digits

Keys/Buttons:

120: Five-key flat membrane panel, tactile feel

120 Plus: Zero, tare, preset tare, hold, gross/net,
units, numeric 0-9, clear, enter/print

Temperature:

Certified: 14 °F to 104 °F (-10 °C to 40 °C)

Operating: 14 °F to 122 °F (-10 °C to 50 °C)

Rating/Material:

Enclosure: Heavy gauge ABS

Weight:

2.6 lb (1.2 kg)

Warranty:

One-year limited

Approvals:

NTEP CC 03-059, Class III/IIIL 10,000 d

Measurement Canada AM-5517

EU Test Certificate TC7626

CE Marked

Part Number/Price

| Part # | Description | Est. Weight | Price |
|-----------------|---|-------------|----------|
| 120 | | | |
| 131923 | Desktop 115 VAC/230 VAC | 3 lb | \$475.00 |
| 120 Plus | | | |
| 103632 | Desktop 115/230 VAC | 3 lb | \$620.00 |
| 107619 | Desktop 115/230 VAC with digital I/O option | 3 lb | \$685.00 |

NOTE: Both plugs included with power supply



US Plug



Euro Plug

Options/Accessories

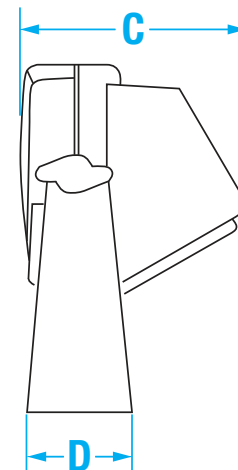
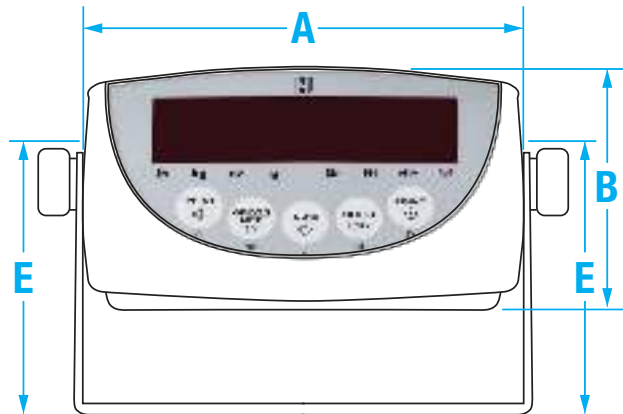
| Part # | Description | Price |
|---|--|----------|
| 93205 | Load cell connector with 6 m length pigtail (requires 103507) | \$60.00 |
| 82505 | Six-pin socket external load cell connector (requires 103507) | \$16.00 |
| 103507 | External load cell plug replaces cord grip (requires 82505 or cable 93205) | \$42.00 |
| 107620 | Digital I/O card for 120 Plus | \$95.00 |
| 105670 | 15-Pin connector for 120 Plus | \$14.00 |
| 106705 | 15-Pin Interface cable for 120 Plus, 2 m length | \$39.00 |
| 76699 | Additional operating manual for 120 | \$39.00 |
| 105914 | Additional operating manual for 120 Plus | \$37.00 |
| Primary Component Parts for 120 | | |
| 131924 | Board assembly for use with internal load cell connector | \$315.00 |
| 78610 | Overlay membrane switch | \$70.00 |
| 131925 | Power supply, 115 VAC/230 VAC | \$47.00 |
| 64794 | Cable, null modem DB9F to DB9M | \$69.00 |
| Primary Component Parts for 120 Plus | | |
| 103634 | CPU/Display board assembly | \$430.00 |
| 103635 | Overlay membrane switch | \$70.00 |
| 103636 | Power supply, 115 VAC/230 VAC | \$47.00 |
| 103637 | Rechargeable battery | \$100.00 |

Revolution can be downloaded for free at www.ricelake.com

To have your option factory installed, please specify when placing your order.

Dimensions

| 120/120 Plus | | | |
|--------------|------------------|---|------------------|
| A | 7.32 in (186 mm) | D | 1.65 in (42 mm) |
| B | 6.06 in (154 mm) | E | 4.76 in (121 mm) |
| C | 3.74 in (95 mm) | | |



IQ Plus® 210

Digital Weight Indicator

INDICATORS /
CONTROLLERS



Approvals



Measurement
Canada
Approved



Standard Features

- LED display
- Piezo switch technology with stainless steel buttons (zero and units)
- NEMA Type 4X/IP66 stainless steel enclosure
- Displays units in decimals lb, kg, oz, lb/oz and grams
- 1 full duplex RS-232 port
- 2 digital inputs for remote zero, print and units
- Gore-Tex® breather vent
- Configurable with Revolution® software

Part Number/Price

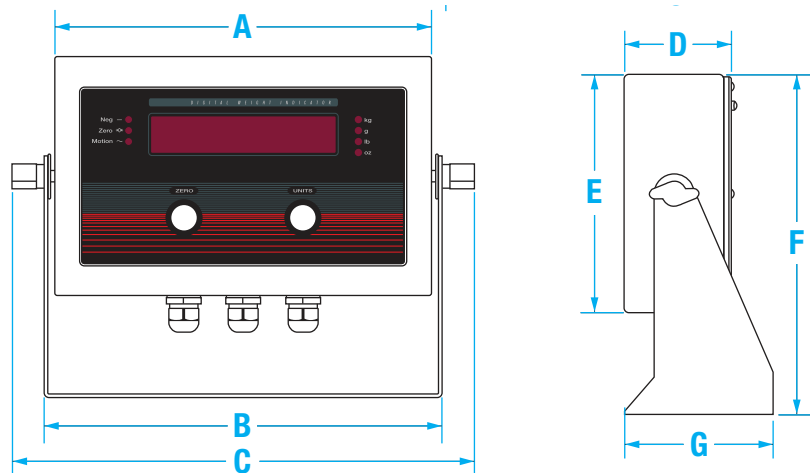
| Part # | Description | Est. Weight | Price |
|--------|----------------------|-------------|----------|
| 65137 | IQ Plus 210, 115 VAC | 10 lb | \$725.00 |
| 65138 | IQ Plus 210, 230 VAC | 10 lb | \$725.00 |

Options/Accessories

| Part # | Description | Price |
|--------|-----------------------------|---------|
| 64640 | Additional operating manual | \$31.00 |

Dimensions

| IQ Plus 210 | | | |
|-------------|-------------------|---|------------------|
| A | 9.50 in (241 mm) | E | 6.00 in (152 mm) |
| B | 10.03 in (254 mm) | F | 8.58 in (217 mm) |
| C | 11.67 in (296 mm) | G | 3.75 in (95 mm) |
| D | 2.69 in (68 mm) | | |



Specifications

Power:

Line voltages: 115 VAC or 230 VAC
Frequency: 50/60 Hz

Excitation Voltage:

10 VDC 4 × 350 ohm load cells

Analog Signal Input Range:

0.6 mV/V to 4.5 mV/V

Analog Signal Sensitivity:

0.3 μV/graduation minimum,
1.5 μV/grad recommended

A/D Sample Rate:

15 Hz

Resolution:

Display: 10,000 counts

Digital I/O:

Two inputs, TTL or switch closure, active-low

Communication Port:

Full duplex RS-232, 9600, 4800, 2400, 1200bps;
Seven or eight data bits, even, off, or no parity

Annunciators:

lb, kg, oz, g, negative, motion, center of zero

Display:

Six-digit light emitting diode (LED) display
Seven-segment, 0.8 in (20 mm) digits

Dimensions:

Enclosure
9.5 × 6.0 × 2.75 in (241 × 152 × 70 mm)

Temperature:

Operating: 14 °F to 104 °F (-10 °C to 40 °C)
Storage: 14 °F to 122 °F (-10 °C to 50 °C)

Rating/Material:

NEMA Type 4X/IP66, stainless steel

Weight:

10 lb (4.5 kg)

Warranty:

Two-year limited

Approvals:

NTEP CC 00-045, Class III/III 10,000 d
Measurement Canada AM-5374
cULus Listed



Specifications

Power:

Line voltages: 115 to 230 VAC
Frequency: 50/60 Hz

Power Consumption:

1.5 A at 115 VAC (8 W)
0.75 A at 230 VAC (8 W)

Excitation Voltage:

+5 VDC 8 × 350 ohm or 16 × 700 ohm load cells

Analog Signal Input Range:

-0.5 mV/V to 4.5 mV/V

Analog Signal Sensitivity:

0.3 uV/graduation minimum
1.5 uV/graduation recommended

A/D Sample Rate:

7.5 to 960 Hz software selectable

Resolution:

Display: 100,000 counts

System Linearity:

± 0.01% full scale

Digital I/O:

Four channels on CPU board

Circuit Protection:

RFI, EMI, ESD protection

Annunciators:

Designators for percent, kg, gm, lb, oz, center of zero, G/B, N, T, PT, neg, motion

Display:

Large 0.8 in 14-segment, six-digit high-intensity red LED display

Keys/Buttons:

Membrane keypad, 23 keys with international symbols

Temperature:

Certified: 14 °F to 104 °F (-10 °C to 40 °C)

Rating/Material:

IP66, 304 stainless steel

Warranty:

Two-year limited

Approvals:

NTEP CC 08-092, Class III/IIIL 10,000 d
Measurement Canada AM-5710
OIML R76/2006-GBI-10.02
TC11569
CE Marked
cULus Listed

Approvals



Measurement
Canada
Approved

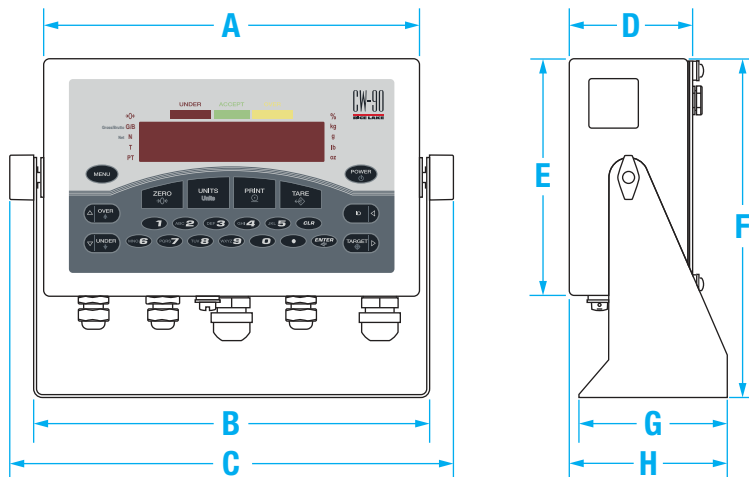


Dimensions

| CW-90 | |
|-------|-------------------|
| A | 9.50 in (241 mm) |
| B | 10.02 in (255 mm) |
| C | 11.24 in (285 mm) |
| D | 3.12 in (79 mm) |
| E | 6.00 in (152 mm) |
| F | 8.57 in (218 mm) |
| G | 3.75 in (95 mm) |
| H | 4.00 in (102 mm) |

Standard Features

- Gore-Tex® breather vent
- Storage for up to 50 IDs
- Unit of measure: kg, gm, lb, oz, lb/oz
- LED display
- Two full duplex serial ports
- Configurable print formats
- Audit trail tracking
- Optional communications: Ethernet, USB or fiber-optic
- Four configurable digital I/O
- Reflash memory to upgrade firmware
- Auto print capability
- Battery backed up time and date
- Accumulator
- Membrane keypad consisting of zero, units, print, tare, over, under, ID, target, 0 to 9, clear, decimal, enter, menu, power



CW-90

Checkweigh Indicator

Part Number/Price

| Part # | Description | Est. Weight | Price |
|-----------------------|---|-------------|----------|
| 105970 [†] | CW-90, 115 VAC | 7 lb | \$925.00 |
| 105971 ^{††} | CW-90, 230 VAC, CE marked/OIML approved | 7 lb | \$925.00 |
| 118888 [†] | CW-90, 230 VAC | 7 lb | \$925.00 |
| 171247 ^{†††} | CW-90, 230 VAC | 7 lb | \$925.00 |



[†] US plug (NA) - Type B



^{††} Euro Plug - Type E



^{†††} IEC Type I plug

Options/Accessories

| Part # | Description | Price |
|--------|--|----------|
| 200578 | Ethernet TCP/IP, 10 ft cable included | \$440.00 |
| 206272 | RS-232/Wi-Fi interface 802.11 A/B | \$610.00 |
| 95357 | USB cable, Type A to mini-B, 1 m | \$11.00 |
| 171968 | Firmware download cable | \$39.00 |
| 96736 | Fiber optic board | \$250.00 |
| 78026 | Fiber optic, duplex cable 100 ft | \$175.00 |
| 80892 | Fiber optic cutter | \$12.00 |
| 117358 | WeighVault (requires part number 200578 or 206272) | \$265.00 |

To have your option factory installed, please specify when placing your order.

INDICATORS /
CONTROLLERS



Specifications

Power:

Line voltages: 115 to 230 VAC
Frequency: 50/60 Hz

Power Consumption:

1.5 A at 115 VAC (8 W)
0.75 A at 230 VAC (8 W)

Excitation Voltage:

+5 VDC 8 × 350 ohm or 16 × 700 ohm load cells

Analog Signal Input Range:

-0.5 mV/V to 4.5 mV/V

Analog Signal Sensitivity:

0.3 uV/graduation minimum
1.5 uV/graduation recommended

A/D Sample Rate:

7.5 to 960 Hz software selectable

Resolution:

Display: 100,000 counts

System Linearity:

± 0.01% full scale

Digital I/O:

Four channels on CPU board

Circuit Protection:

RFI, EMI, ESD protection

Annunciators:

Designators for percent, kg, gm, lb, oz, center of zero, G/B, N, T, PT, neg, motion

Display:

Large 0.8 in 14-segment, six-digit high-intensity red LED display

Keys/Buttons:

Piezo keypad, 11 keys with international symbols

Temperature Range:

Certified: 14 °F to 104 °F (-10 °C to 40 °C)

Rating/Material:

IP69K, 304 stainless steel

Warranty:

Three-year limited

Approvals:

NTEP CC 08-092, Class III/IIIL 10,000 d
Measurement Canada AM-5710
OIML R76/2006-GBI-10.02
TC11569
CE Marked
cULus Listed

Approvals



Measurement
Canada
Approved

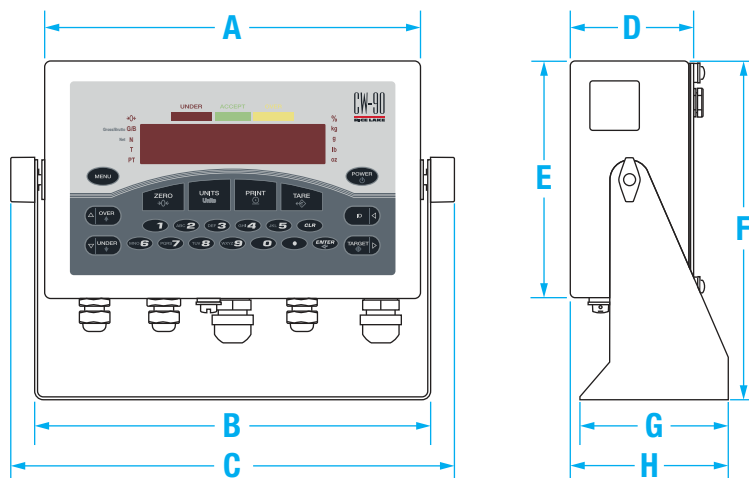


Dimensions

| CW-90X | |
|--------|-------------------|
| A | 9.50 in (241 mm) |
| B | 10.02 in (255 mm) |
| C | 11.24 in (285 mm) |
| D | 3.12 in (79 mm) |
| E | 6.00 in (152 mm) |
| F | 8.57 in (218 mm) |
| G | 3.75 in (95 mm) |
| H | 4.00 in (102 mm) |

Standard Features

- Gore-Tex® breather vent
- Storage for up to 50 IDs
- Unit of measure: kg, gm, lb, oz, lb/oz
- LED display
- Two full duplex serial ports
- Configurable print formats
- Audit trail tracking
- Optional communications: Ethernet, USB or fiber-optic
- Four configurable digital I/O
- Reflash memory to upgrade firmware
- Auto print capability
- Battery backed up time and date
- Accumulator
- Piezo keypad consisting of zero, units, print, tare, over, under, ID, target, enter, menu, power



CW-90X

Checkweigh Indicator

Part Number/Price

| Part # | Description | Est. Weight | Price |
|-----------------------|--|-------------|----------|
| 105972 [†] | CW-90X, 115 VAC | 7 lb | \$975.00 |
| 105973 ^{††} | CW-90X, 230 VAC, CE marked/OIML approved | 7 lb | \$975.00 |
| 118889 [†] | CW-90X, 230 VAC | 7 lb | \$975.00 |
| 171248 ^{†††} | CW-90X, 230 VAC | 7 lb | \$975.00 |



[†] US plug (NA) - Type B



^{††} Euro Plug - Type E



^{†††} IEC Type I plug

Options/Accessories

| Part # | Description | Price |
|--------|---|----------|
| 200578 | Ethernet TCP/IP, 10 ft cable included | \$440.00 |
| 206272 | RS-232/Wi-Fi interface 802.11 A/B | \$610.00 |
| 95357 | USB cable, Type A to mini-B, 1 m | \$11.00 |
| 171968 | Firmware download cable | \$39.00 |
| 96736 | Fiber optic board | \$250.00 |
| 78026 | Fiber optic, duplex cable 100 ft | \$175.00 |
| 80892 | Fiber optic cutter | \$12.00 |
| 117358 | WeighVault™ (requires part number 200578 or 206272) | \$265.00 |

To have your option factory installed, please specify when placing your order.

INDICATORS /
CONTROLLERS

380 Synergy Series

Digital Weight Indicator



Approvals



Measurement
Canada
Approved



Standard Features

- LCD display
- Alkaline battery powered
- Push-button and keyed tare
- Two communication ports
- Five tactile buttons
- Configurable print formats

Options

- Time/date
- External power supply

Part Number/Price

| Part # | Description | Est. Weight | Price |
|--------|-------------------------------|----------------|----------|
| 202711 | 380 Universal battery powered | 6.25 lb (3 kg) | \$685.00 |

Options/Accessories

| Part # | Description | Price |
|---------|-------------------------------------|----------|
| 206433† | External AC adapter | \$54.00 |
| 204258 | Real time clock module | \$127.00 |
| 223864 | Knob, stainless steel M6 x 1.0 inch | \$15.00 |

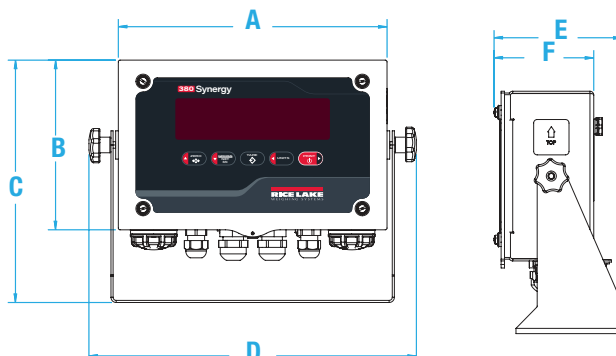
To have your option factory installed, please specify when placing your order.



† US plug (NA) - Type A

Dimensions

| 380 Synergy Series | | | |
|--------------------|------------------|---|-------------------|
| A | 9.50 in (241 mm) | D | 11.58 in (294 mm) |
| B | 6.00 in (152 mm) | E | 4.53 in (115 mm) |
| C | 8.57 in (218 mm) | F | 3.53 in (90 mm) |



Specifications

Power:

Batteries: 4 alkaline C-cell (not included)
Optional: 115/230 VAC to 12 VDC adapter

Power Consumption:

6 W max with optional external power adapter

Battery Life:

100 hours with 1 × 350 ohm load cell, no backlight
45 hours with 4 × 350 ohm load cells, low backlight
20 hours with 8 × 350 ohm load cells, low backlight

Excitation Voltage:

5 VDC, 8 × 350 ohm or 16 × 700 ohm load cells

Analog Signal Input Range:

-0.3 mV to +30 mV
Common mode voltage 0.7 V to 3.3 V

Analog Signal Sensitivity:

1 µV/graduation recommended

A/D Sample Rate:

5, 6, 10, 12, 20, 25, 40, 50, 80, 100Hz,
software selectable

Resolution:

Internal: 8,000,000 counts
Display: 100,000

System Linearity:

Within 0.01% full scale

Communication Ports:

One full-duplex RS-232
One USB 2.0

Annunciators:

g, lb, t, tn, kg, oz, battery level, PT, LT, gross, zero,
unstable, net

Display:

Six 1 in (25 mm) tall, LCD digits

Keys/Buttons:

5 tactile buttons

Dimensions:

(L × W × H)
11.58 × 4.53 × 8.57 in
(294 × 115 × 218 mm)

Temperature:

Certified: 14 °F to 104 °F (-10 °C to 40 °C)
Industrial: 14 °F to 122 °F (-10 °C to 50 °C)

Rating/Material:

IP66, 304
stainless steel

Weight:

6.25 lb (3 kg)

Warranty:

Two-year limited

EMC Immunity:

10 V/m

Approvals:

NTEP 21-051, Class III/IIIL, 10,000 d
Measurement Canada AM-6184
CE Marked
cULus Listed

380X Synergy Series

Washdown Digital Weight Indicator



INDICATORS /
CONTROLLERS

Approvals



Measurement
Canada
Approved



Specifications

Power:

Battery: Lithium ion
Charger: 120 VAC internal

Power Consumption:

25 W max with internal power

Battery Life:

45 hours, one 350 ohm load cell, no backlight
15 hours, four 350 ohm load cells, no backlight
10 hours, eight 350 ohm load cells, backlight

Excitation Voltage:

5 VDC, 8 × 350 ohm or 16 × 700 ohm load cells

Analog Signal Input Range:

-0.3 mV to +30 mV
Common mode voltage 0.7 V to 3.3 V

Analog Signal Sensitivity:

1 μV/graduation recommended

A/D Sample Rate:

5, 6, 10, 12, 20, 25, 40, 50, 80, 100 Hz,
software selectable

Resolution:

Internal: 8,000,000 counts
Display: 100,000

System Linearity:

Within 0.01% full scale

Communication Ports:

One full-duplex RS-232 (three-wire)
One USB 2.0

Annunciators:

g, lb, t, tn, kg, oz, battery level, PT, LT, gross, zero,
unstable, net

Display:

Six 1 in (25 mm) tall, LCD digits

Keys/Buttons:

Five-tactile buttons

Dimensions:

(L × W × H)
11.58 × 4.53 × 8.57 in
(294 × 115 × 218 mm)

Temperature:

Certified: 14 °F to 104 °F (-10 °C to 40 °C)
Operating: 14 °F to 122 °F (-10 °C to 50 °C)

Rating/Material:

IP69K, 304 Stainless steel

Weight:

6.25 lb (3 kg)

Warranty:

One-year limited on battery
Two-year limited on indicator and parts

EMC Immunity:

10 V/m

Approvals:

NTEP 21-051
Measurement Canada AM-6184
cULus
CE
UKCA
IEC

Standard Features

- LCD display
- Battery powered, internal charger
- Push button and keyed tare
- Two communication ports
- Five-tactile buttons
- Configurable print formats

Options

- Time/date

Part Number/Price

| Part # | Description | Est. Weight | Price |
|--------|--------------------------------|----------------|----------|
| 214337 | 380X Universal battery powered | 6.25 lb (3 kg) | \$785.00 |

Options/Accessories

| Part # | Description | Price |
|--------|-------------------------------------|----------|
| 204258 | Real time clock module | \$127.00 |
| 223864 | Knob, stainless steel M6 x 1.0 inch | \$15.00 |

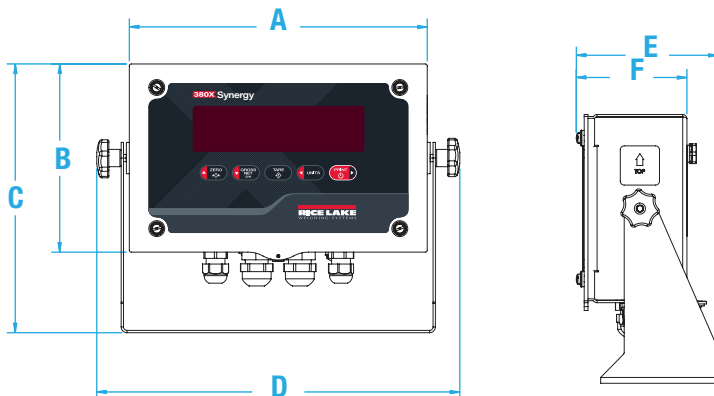
To have your option factory installed, please specify when placing your order.



† US plug (NA) - Type B

Dimensions

| 380X Synergy Series | | | |
|---------------------|------------------|---|-------------------|
| A | 9.50 in (241 mm) | D | 11.58 in (294 mm) |
| B | 6.00 in (152 mm) | E | 4.53 in (115 mm) |
| C | 8.57 in (218 mm) | F | 3.53 in (90 mm) |



381 Synergy Series

Battery Powered Digital Weight Indicator



Approvals



Measurement
Canada
Approved

Standard Features

- LCD display
- Battery powered
- Push-button and keyed tare
- Two communication ports
- Five tactile buttons
- Configurable print formats
- ABS enclosure

Options

- Time/date

Part Number/Price

| Part # | Description | Price |
|--------|--|----------|
| 215695 | 381 Universal, AA battery powered | \$375.00 |
| 215696 | 381 Universal, Nickel metal hydride (NiMH) battery powered | \$475.00 |

Options/Accessories

| Part # | Description | Price |
|--------|--|----------|
| 215273 | RS-232 DB9 cable, 1.5 m DB9 female RJ11 connector, compatible with 381 model | \$95.00 |
| 204258 | Real time clock module | \$127.00 |
| 216647 | 3 mm t-handle hex key | \$6.00 |
| 223864 | Knob, stainless steel M6 x 1.0 inch | \$15.00 |

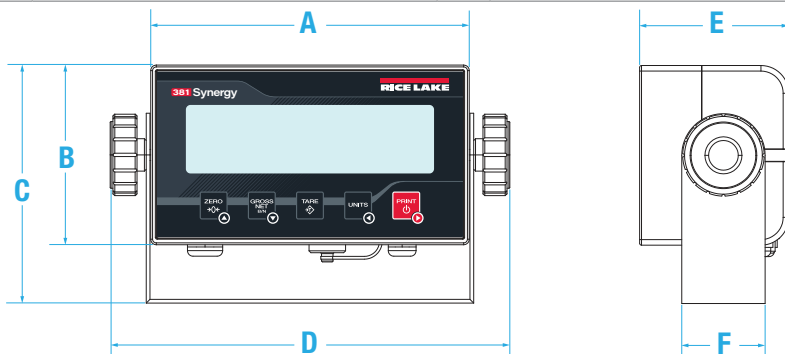
To have your option factory installed, please specify when placing your order.



† US plug (NA) - Type B

Dimensions

| 381 Synergy Series | | | |
|--------------------|------------------|---|------------------|
| A | 6.77 in (172 mm) | D | 8.50 in (216 mm) |
| B | 3.82 in (97 mm) | E | 3.17 in (81 mm) |
| C | 5.06 in (129 mm) | F | 1.77 in (45 mm) |



Specifications

Power:

Battery: AA or Nickel Metal Hydride (NiMH)
381-2D-AA Adapter: 115/230 VAC to 12 VDC
381-2D-NiMH Charger: 115/230 VAC

Power Consumption:

AA: input 0.8 A
(6 W while using AC adapter)
NiMH: input of 0.35 A

Battery Life:

AA: 40 hours with 1 × 350 ohm load cell
NiMH: 80 hours with 1 × 350 ohm load cell

Excitation Voltage:

5 VDC, 8 × 350 ohm or 16 × 700 ohm load cells

Analog Signal Input Range:

-0.3 mV to +30 mV
common mode voltage 0.7 V to 3.3 V

Analog Signal Sensitivity:

1 μV/graduation recommended

A/D Sample Rate:

5, 6, 10, 12, 20, 25, 40, 50, 80, 100Hz,
software selectable

Resolution:

Internal: 8,000,000 counts
Display: 100,000

System Linearity:

Within 0.01% full scale

Communication Ports:

One full-duplex RS-232
One USB 2.0

Annunciators:

g, lb, t, tn, kg, oz, battery level, PT, LT, gross, zero,
unstable, net

Display:

Six 1 in (25 mm) tall, LCD digits

Keys/Buttons:

5 tactile buttons

Dimensions:

(L × W × H)
8.50 × 3.17 × 5.06 in
(215.8 × 80.5 × 128.5 mm)

Temperature:

Certified: 14 °F to 104 °F (-10 °C to 40 °C)
Operating: 14 °F to 122 °F (-10 °C to 50 °C)

Rating/Material:

AA Battery: IP54, ABS
NiMH Battery: IP66, ABS

Warranty:

Two-year limited

EMC Immunity:

10 V/m

Approvals:

NTEP 21-051 Class III/IIIL, 10,000 d
Measurement Canada AM-6184

480/482 Legend® Series

Digital Weight Indicator

INDICATORS /
CONTROLLERS



Specifications

Power:

Line voltages: 100 to 240 VAC
Frequency: 50/60 Hz

Power Consumption:

8 W

Excitation Voltage:

5 VDC, 8 × 350 ohm or 16 × 700 ohm load cells

Analog Signal Input Range:

±7 mV/V

Analog Signal Sensitivity:

0.1 μV/graduation minimum,
0.5 μV/graduation recommended

A/D Sample Rate:

5, 10, 20, 40 Hz, software selectable

Resolution:

Internal: 523,000 counts
Display: 100,000

System Linearity:

Within 0.01% of full scale

Digital I/O:

Optional 2 or 4 inputs
4 or 8 dry-contact relays

Communication Ports:

Com 1: RS-232 full duplex
Com 2: RS-232 full duplex or 20 mA simplex, continuous
Both ports 1200, 2400, 4800, 9600, 19200, 38400 baud seven or eight data bits, even, odd or no parity

(Optional) Analog Output:

16-bit resolution, voltage output 0-10 VDC,
current output 0-20 mA / 4-20 mA

(Optional) Relay Board:

Two opto-isolated, 5 to 24 VDC, active high inputs
Primary keys, pseudo functions, batching functions
(4) 30 VDC, 2 amp dry-contact relays

Annunciators:

Gross, net, center of zero, standstill, lb, kg, tare, preset tare

Display:

480/480 Plus: LED display
0.8 in (20 mm), six-digit, seven-segment
482/482 Plus: LCD backlit display,
transmissive/transflective
0.8 in (20 mm), six-digit, seven-segment

Keys/Buttons:

Flat membrane panel, embossed keys, tactile feel

Temperature:

Certified: 14 °F to 104 °F (-10 °C to 40 °C)
Operating: 14 °F to 122 °F (-10 °C to 50 °C)

Rating/Material:

NEMA Type 4X/IP66
Stainless steel

Weight:

6.4 lb (2.9 kg)

Warranty:

Two-year limited

EMC Immunity:

EN 50082 Part 2 IEC EN
61000-4-2, 3, 4, 5, 6, 8, and 11

Approvals:

NTEP 12-123, Class III/IIIL, 10 ,000 d
Measurement Canada AM-5892C
OIML R76/2006-NL1-15.24
EU Test Certificate TC8322
CE Marked
cULus
UKCA

Approvals



Measurement
Canada
Approved



UK
CA

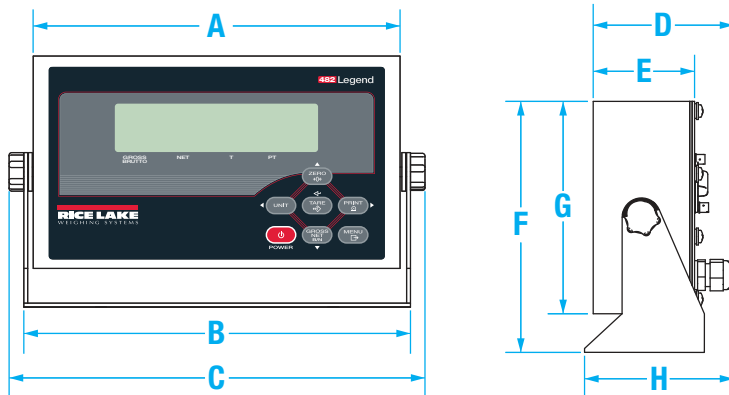


Standard Features

- LED display (480)
- LCD backlit display (482)
- Time and date, battery backed
- Local/remote operation
- Numeric keypad (480 Plus/482 Plus)
- Keyed entries for setpoint values (480 Plus/482 Plus)
- Two independent serial ports
- NEMA Type 4X/IP66 stainless steel washdown enclosure
- Programmable ticket formats for gross, net, accumulator and setpoints
- Five continuous stream formats
- Adapter filter or rolling average filter
- Operator functions through menu for audit trail, preset tare, unit ID, accumulator, time and date, setpoints, communications and print formats
- Eight setpoints, sequenced batch engine
- Configurable with Revolution® software

Dimensions

| 480/482 Legend Series | | | |
|-----------------------|-------------------|---|------------------|
| A | 9.50 in (241 mm) | D | 3.65 in (92 mm) |
| B | 10.00 in (254 mm) | E | 2.75 in (70 mm) |
| C | 11.00 in (279 mm) | F | 7.00 in (178 mm) |
| | | G | 6.00 in (152 mm) |
| | | H | 3.75 in (95 mm) |



480/482 Legend® Series

Digital Weight Indicator

INDICATORS /
CONTROLLERS

Part Number/Price

| Part # | Description | Est. Weight | Price |
|--|---------------------------------|-------------|------------|
| 480 Indicator 115 VAC † | | | |
| 126564 † | 480 LED | 8 lb | \$925.00 |
| 130338 † | 480 LED with analog output | 8 lb | \$1,355.00 |
| 480 Indicator 90 to 264 VAC †† | | | |
| 126565 †† | 480 LED | 8 lb | \$925.00 |
| 130339 †† | 480 LED with analog output | 8 lb | \$1,305.00 |
| 480 Plus Indicator 115 VAC † | | | |
| 164588 † | 480 Plus LED | 8 lb | \$925.00 |
| 164589 † | 480 Plus LED with analog output | 8 lb | \$1,355.00 |
| 164590 † | 480 Plus LED with relay output | 8 lb | \$1,155.00 |
| 480 Plus Indicator 90 to 264 VAC †† | | | |
| 164591 †† | 480 Plus LED | 8 lb | \$925.00 |
| 164592 †† | 480 Plus LED with analog output | 8 lb | \$1,355.00 |
| 164593 †† | 480 Plus LED with relay output | 8 lb | \$1,105.00 |
| 482 Indicator 115 VAC † | | | |
| 164581 † | 482 LCD | 8 lb | \$1,075.00 |
| 482 Indicator 90 to 264 VAC †† | | | |
| 164672 †† | 482 LCD | 8 lb | \$1,075.00 |
| 482 Plus Indicator 115 VAC † | | | |
| 164584 † | 482 Plus LCD | 8 lb | \$1,075.00 |
| 482 Plus Indicator 90 to 264 VAC †† | | | |
| 164673 †† | 482 Plus LCD | 8 lb | \$1,075.00 |

Options/Accessories

| Part # | Description | Price |
|---------------------------------------|---|----------|
| 131340 | Mounting bracket for option boards | \$31.00 |
| 131341 | Analog output, 0-10 VDC, 4-20 mA (requires 131340) | \$420.00 |
| 131342 | Relay board, two digital inputs, four dry contact outputs (requires 131340) | \$290.00 |
| 165379 | Flash update cable | \$82.00 |
| 151100 | A/D sealing kit, used with audit trail tracking | \$40.00 |
| 151099 | Panel mount bezel (not NEMA Type rated) | \$215.00 |
| 83564 | Clear protective overlay (package of five) | \$82.00 |
| 223864 | Knob, stainless steel M6 x 1.0 in | \$15.00 |
| 119201 | Installation manual (480 indicator) | \$31.00 |
| 165124 | Installation manual (482 indicator) | \$29.00 |
| Primary Replacement Components | | |
| 131345 | Overlay, 480 six-key, red window | \$78.00 |
| 159612 | Overlay, 480 Plus with numeric keys, red window | \$78.00 |
| 131346 | Display board, LED | \$189.00 |
| 161048 | Overlay, 482 six-key, green window | \$78.00 |
| 161049 | Overlay, 482 Plus with numeric keys, green window | \$78.00 |
| 153776 | Display board, LCD | \$185.00 |
| 131316 | Power supply, 85-265 VAC | \$68.00 |
| 131318 | CPU board | \$310.00 |
| 131319 | A/D board | \$245.00 |

* Revolution can be downloaded for free at www.ricelake.com

To have your option factory installed, please specify when placing your order.



† US plug (NA) - Type B



†† Euro Plug - Type E

680 Synergy Series

Digital Weight Indicator

INDICATORS /
CONTROLLERS



Approvals



Measurement
Canada
Approved



UK
CA

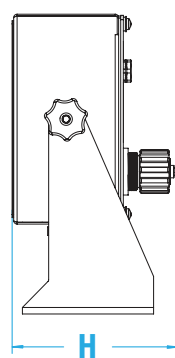
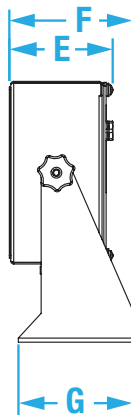
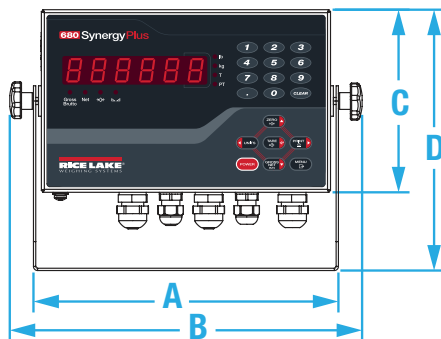


Standard Features

- LED display
- Battery backed time and date
- Full numeric keypad
- Multiple communication ports
- Eight setpoint, 22 configurable types
- Numeric keyed entry for tare and setpoint entry
- Formattable tickets
- Four onboard configurable digital I/O points, TTL logic
- Local/remote

Dimensions

| 680 Synergy Series | | | |
|--------------------|-------------------|---|------------------|
| A | 10.02 in (255 mm) | E | 3.40 in (86 mm) |
| B | 11.58 in (294 mm) | F | 4.05 in (103 mm) |
| C | 6.00 in (152 mm) | G | 3.80 in (97 mm) |
| D | 8.57 in (218 mm) | H | 4.74 in (120 mm) |



With External RJ45 Connector

Specifications

Power:

Line voltages: 100 to 240 VAC
Frequency: 50 to 60 Hz

Power Consumption:

2 W (AC) 1 × 350 ohm load cell, 15 W max

Excitation Voltage:

10 VDC (± 5 VDC), 8 × 350 ohm or
16 × 700 ohm load cells

Analog Signal Input Range:

-5 mV to +70 mV

Analog Signal Sensitivity:

1 μV/graduation recommended

A/D Sample Rate:

6.25 to 120 Hz, software selectable

Resolution:

Internal: 8,000,000 counts
Display: 1,000,000

System Linearity:

Within 0.01% full scale

Digital I/O:

Four configurable I/O - 5 V logic

(Optional) Analog Output:

16-bit resolution, voltage output 0-10 VDC,
current output 0-20 mA/4-20 mA

Communication Ports:

Two full-duplex RS-232
RS-485/422 (five-wire)
Micro USB (device)
Ethernet TCP/IP (10/100)

Annunciators:

Eight LED annunciators

Display:

Seven 0.8 in tall, seven-segment digits

Keys/Buttons:

Flat membrane panel, tactile feel
(18 buttons plus ON/OFF)

Dimensions:

(L × W × H)
11.58 × 4.05 × 8.57 in
(294 × 103 × 218 mm)

Temperature:

Certified: 14 °F to 104 °F (-10 °C to 40 °C)
Industrial: 14 °F to 122 °F (-10 °C to 50 °C)

Rating/Material:

IP69K (IP66 with RJ45)
AISI 304 stainless Steel

Weight:

6.25 lb (3 kg)

Warranty:

Two-year limited

EMC Immunity:

10 V/m

Approvals:

NTEP 19-021, Class III/IIIL, 10,000 d
Measurement Canada AM-6121C
OIML R76/2006-A-NL1-19.56
EU Test Certificate TC11562
UKCA
CE Marked
cULus Listed

680 Synergy Series

Digital Weight Indicator

Part Number/Price

| Part # | Description | Est. Weight | Price |
|---------------------------------------|--|-------------|------------|
| 115 to 230 VAC | | | |
| 193152† | 680 Plus indicator, LED display, US power cord | 7 lb | \$985.00 |
| 193153†† | 680 Plus indicator, LED display, EU power cord | 7 lb | \$985.00 |
| 196326††† | 680 Plus indicator, LED display, UK power cord | 7 lb | \$985.00 |
| 196327†††† | 680 Plus indicator, LED display, AUS power cord | 7 lb | \$985.00 |
| 9 to 36 VDC | | | |
| 193154* | 680 Plus indicator, LED display | 7 lb | \$1,095.00 |
| With Analog Output Card | | | |
| 195176† | 680 Plus indicator, LED display, 115-230 VAC with analog output card, US power cord | 7 lb | \$1,310.00 |
| 195177†† | 680 Plus indicator, LED display, 115-230 VAC with analog output card, EU power cord | 7 lb | \$1,310.00 |
| 196539††† | 680 Plus indicator, LED display, 115-230 VAC with analog output card, UK power cord | 7 lb | \$1,310.00 |
| 196538†††† | 680 Plus indicator, LED display, 115-230 VAC with analog output card, AUS power cord | 7 lb | \$1,310.00 |
| With External RJ45 Connector** | | | |
| 200183† | 680 Plus Indicator, LED display, 115-230 VAC with RJ45, US power cord | 7 lb | \$1,135.00 |
| 200184†† | 680 Plus Indicator, LED display, 115-230 VAC with RJ45, EU power cord | 7 lb | \$1,135.00 |
| 200185††† | 680 Plus Indicator, LED display, 115-230 VAC with RJ45, UK power cord | 7 lb | \$1,135.00 |
| 200186†††† | 680 Plus Indicator, LED display, 115-230 VAC with RJ45, AUS power cord | 7 lb | \$1,135.00 |

*Not UL approved

**IP rating is IP66 with RJ45 option

Options/Accessories

| Part # | Description | Price |
|--------|--|----------|
| 195084 | Analog output option card | \$360.00 |
| 151099 | Panel mount option, gasketed non-NEMA seal | \$215.00 |
| 223864 | Knob, stainless steel M6 x 1.0 in | \$15.00 |
| 195684 | CPU board | \$505.00 |
| 194477 | Parts kit | \$33.50 |

To have your option factory installed, please specify when placing your order.



† US plug (NA) - Type B



†† Euro Plug - Type E



††† BS1363 (UK) - Type G



†††† AS 3112 (Australian) - Type I

INDICATORS /
CONTROLLERS

682 Synergy Series

Digital Weight Indicator



INDICATORS /
CONTROLLERS

Approvals



Measurement
Canada
Approved



Standard Features

- Graphical, LCD color display with configurable softkeys
- Numeric, tactile keypad for scale operations, numeric entry and navigation
- Multi-language operation and text entry
- Formattable tickets
- Battery backed time and date
- Multiple communication ports
- Eight setpoints, 22 configurable types
- Fieldbus communication using Rice Lake's SCT-2200 modules and RS-485 port
- Built-in web server for remote access, systems integration and data monitoring
- Built-in Truck In/Out application
- Four onboard configurable digital I/O points, TTL logic
- Local/remote
- Multi-range/interval

Options

- Analog output: 16-bit resolution, 0-10 VDC, 0-20 mA, 4-20 mA
- Relay card
- Dual serial card
- RJ45 Ethernet connector

Note: IP Rating is IP66 with RJ45 option. Rating is valid only when the cover is in place, not in use.

Specifications

Power:

Line voltage: 100 to 240 VAC, 50/60 Hz
Optional: 9 to 36 VDC

Power Consumption:

3.2 W (AC) 1 × 350 ohm load cell, 15 W max;
4 W 4 × 350 ohm load cells or
8 × 700 ohm load cells

Excitation Voltage:

10 VDC (± 5 VDC), 8 × 350 ohm or
16 × 700 ohm load cells

Analog Signal Input Range:

-5 mV to +70 mV

Analog Signal Sensitivity:

0.3 μ V/graduation minimum
1 μ V/graduation recommended

A/D Sample Rate:

6.25 to 120 Hz, software selectable

Resolution:

Internal: 8,000,000 counts
Display: 1,000,000

System Linearity:

Within 0.01% full scale

Digital I/O:

Four configurable I/O, 5 V logic

(Optional) Analog Output:

16-bit resolution, voltage output 0-10 VDC, current output 0-20 mA/4-20 mA

(Optional) Relay Board:

4 normally open dry contact relays and can switch 20-250 VAC @ 3 A or 30 VDC @ 3 A. Use of external fusing to limit current is recommended. Relay COM-NO are transient protected to 400 V @ 600 W

Communication Ports:

Two full-duplex RS-232
RS-485/422 (two-wire or four-wire)
Micro USB (device)
Ethernet TCP/IP (10/100)
Wi-Fi
Bluetooth®

Annunciators:

Zero, Gross/Net, Tare, Wi-Fi, Bluetooth®

Display:

Five-inch LCD, 800 × 480 pixel, 500 NIT

Keys/Buttons:

Flat membrane panel, tactile feel
18 buttons plus 5 softkeys and power

Dimensions:

(L x W x H)
10.0 x 4.0 x 8.6 in
(254 x 102 x 218 mm)

Temperature:

Certified: 14 °F to 104 °F (-10 °C to 40 °C)
Industrial: 14 °F to 122 °F (-10 °C to 50 °C)

Rating/Material:

IP69K (IP66 with RJ45 option)
AISI 304 Stainless Steel

Weight:

6.25 lb (2.84 kg)

Warranty:

Two-year limited

Approvals:

NTEP CC 19-021, Class III/IIIL, 10,000 d
Measurement Canada AM-6121C
OIML R76 2006 A NL1 19.56R3
EU Test Certificate TC11562
CE Marked
UKCA
cULus

682 Synergy Series

Digital Weight Indicator

Part Number/Price

| Part # | Description | Est. Weight | Price |
|--------------------------------------|--|-------------|------------|
| 115-230 VAC | | | |
| 193155† | 682 Plus indicator, LCD display, US power cord | 7 lb | \$1,135.00 |
| 193156†† | 682 Plus indicator, LCD display, EU power cord | 7 lb | \$1,135.00 |
| 207348††† | 682 Plus indicator, LCD display, UK power cord | 7 lb | \$1,135.00 |
| 207349†††† | 682 Plus indicator, LCD display, AU power cord | 7 lb | \$1,135.00 |
| 9-36 VDC | | | |
| 193157 | 682 Plus indicator, LCD display | 7 lb | \$1,250.00 |
| With External RJ45 Connector* | | | |
| 207354† | 682 Plus indicator, LCD display, 115 to 230 VAC with RJ45, US power cord | 7 lb | \$1,285.00 |
| 207355†† | 682 Plus indicator, LCD display, 115 to 230 VAC with RJ45, EU power cord | 7 lb | \$1,285.00 |
| 207356††† | 682 Plus indicator, LCD display, 115 to 230 VAC with RJ45, UK power cord | 7 lb | \$1,285.00 |
| 207357†††† | 682 Plus indicator, LCD display, 115 to 230 VAC with RJ45, AU power cord | 7 lb | \$1,285.00 |

*IP rating is IP66 with RJ45 option



† US plug (NA) - Type B



†† Euro Plug - Type E



††† BS1363 (UK) - Type G



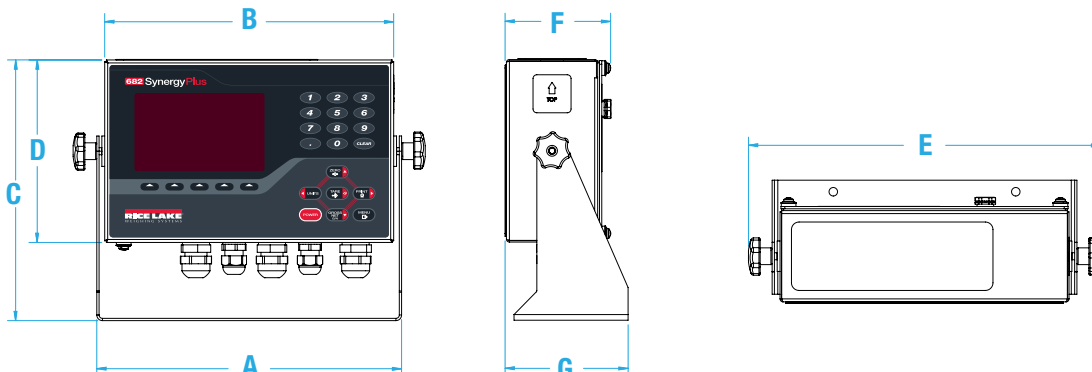
†††† AS 3112 (Australian) - Type I

Options/Accessories

| Part # | Description | Price |
|-----------------|---|----------|
| 195084 | Analog output | \$360.00 |
| 211709 | Relay board | \$360.00 |
| 211710 | Serial output | \$360.00 |
| 151099 | Panel Mount | \$215.00 |
| 211701 | Replacement CPU | \$480.00 |
| 223864 | Knob, stainless steel M6 x 1.0 inch | \$15.00 |
| 194477 | Parts kit | \$33.50 |
| Fieldbus | | |
| 182592 | Fieldbus, SCT-2200, Profinet module | \$595.00 |
| 194343 | Fieldbus, SCT-2200, Ethernet TCP/IP and Wi-Fi | \$595.00 |
| 182593 | Fieldbus, SCT-2200, Profibus module | \$395.00 |
| 182591 | Fieldbus, SCT-2200, EtherNet/IP module | \$595.00 |
| 182596 | Fieldbus, SCT-2200, DeviceNet module | \$595.00 |
| 182598 | Fieldbus, SCT-2200, EtherCAT module | \$590.00 |
| 182597 | Fieldbus, SCT-2200, CANopen module | \$590.00 |
| 196694 | Fieldbus, SCT-2200, Modbus TCP module | \$595.00 |
| 182599 | Cable with RJ45 plugs, 6 in length | \$15.00 |
| 212772 | Fieldbus, SCT-2200, Profibus module | \$395.00 |

Dimensions

| 682 Synergy Series | | | |
|--------------------|-------------------|---|-------------------|
| A | 10.00 in (254 mm) | E | 11.60 in (295 mm) |
| B | 9.50 in (241 mm) | F | 3.50 in (89 mm) |
| C | 8.60 in (218 mm) | G | 4.00 in (102 mm) |
| D | 6.00 in (152 mm) | | |



680HE Synergy Series

Hostile Environment Digital Weight Indicator

INDICATORS /
CONTROLLERS



Approvals



Measurement
Canada
Approved



Part Number/Price

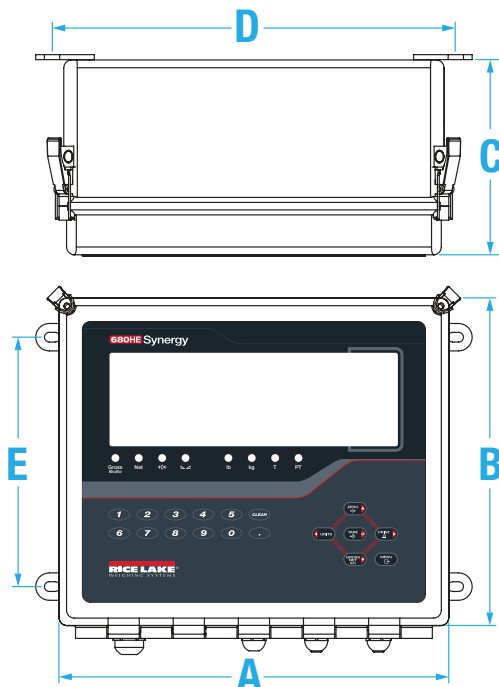
| Part # | Description | Est. Weight | Price |
|--------|---|----------------|------------|
| 197177 | 680HE Plus indicator, 115 to 230 VAC | 6.25 lb (3 kg) | \$2,070.00 |
| 199574 | 680HE Plus indicator, 115 to 230 VAC with external RJ45 | 6.25 lb (3 kg) | \$2,225.00 |

Options/Accessories

| Part # | Description | Price |
|--------|---------------------------|----------|
| 195084 | Analog output option card | \$360.00 |

Dimensions

| 680HE Synergy Series | | | |
|----------------------|-------------------|---|-------------------|
| A | 12.50 in (318 mm) | D | 13.00 in (330 mm) |
| B | 10.50 in (267 mm) | E | 8.00 in (203 mm) |
| C | 6.30 in (160 mm) | | |



Standard Features

- LED display
- Battery backed time and date
- Full numeric keypad
- Multiple communication ports
- Eight setpoints, 22 configurable types
- Numeric keyed entry for tare and setpoint entry
- Formattable tickets
- Four onboard configurable digital I/O points, TTL logic
- Local/remote

Options

- Ethernet bulkhead connector
- Analog output: 16-bit resolutions, 0 - 10 VDC, 0 - 20 mA, 4 - 20 mA

Specifications

Power:

Line voltages: 100 to 240 VAC
Frequency: 50/60 Hz

Power Consumption:

12 W (AC) with one 350 ohm load cell, 30 W max

Excitation Voltage:

10 VDC (± 5 VDC), 8 × 350 ohm or 16 × 700 ohm load cells

Analog Signal Input Range:

-0.5 mV/V to +7 mV/V

Analog Signal Sensitivity:

1 μV/graduation recommended

A/D Sample Rate:

6.25 to 120 Hz, software selectable

Resolution:

Internal: 8,000,000 counts
Display: 100,000

System Linearity:

Within 0.01% full scale

Digital I/O:

Four configurable I/O-5 V logic

Communication Ports:

Two full-duplex RS-232
RS-485/422 (five-wire)
Micro USB (device)
Ethernet TCP/IP (10/100)

Annunciators:

Eight LED annunciators

Display:

Six 2.5 in tall, seven-segment digits

Keys/Buttons:

Flat membrane panel, tactile feel
(18 buttons)

Dimensions:

(L × W × H)
12.50 × 6.30 × 10.50 in
(318 × 160 × 267 mm)

Temperature:

Certified: 14 °F to 104 °F (-10 °C to 40 °C)
Operating: 14 °F to 122 °F (-10 °C to 50 °C)

Rating/Material:

IP66, FRP

Weight:

7.9 lb (3.5 kg)

Warranty:

Two-year limited

EMC Immunity:

10 V/m

Approvals:

NTEP 19-021, Class III/IIIL, 10,000 d
Measurement Canada AM-6121C
CE Marked
cULus Listed



Approvals



Measurement
Canada
Approved



Standard Features

- LCD display
- Four softkeys
- Truck In/Out, 1,000-ID memory (PCE software version)
- 32 setpoints, 26 configurable types (Batch software version)
- Process control engine ProAction PCE define conditions and actions
- Data storage onboard, ProAction DBE user-defined
- Eight digital I/O (expandable)
- One option slot for pluggable options
- 20 auxiliary print formats
- Time and date
- Audit trail tracking and alibi storage
- Peak hold
- Rate of change
- Accumulator
- Multi-range/interval
- Local/remote
- Two full duplex serial ports
- Header for fiber-optic, Ethernet or USB



Panel Mount



CPU Enclosure

Specifications

Power:

Line voltages: 100 to 240 VAC
Frequency: 50 to 60 Hz
DC voltages: 12 to 24 VDC

Power Consumption:

25 W

Excitation Voltage:

10 VDC (± 5 VDC), 16 \times 350 ohm or
32 \times 700 ohm load cells

Analog Signal Input Range:

-10 mV to +45 mV

Analog Signal Sensitivity:

0.3 μ V/graduation minimum at 7.5 Hz
1.0 μ V/graduation recommended

A/D Sample Rate:

7.5 to 960 Hz, software selectable

Resolution:

Internal: 8,000,000 counts
Display: 1,000,000

System Linearity:

$\pm 0.01\%$ full scale

Digital I/O:

Eight channels on CPU board;
optional 24-channel I/O

Communication Ports:

Two ports on CPU board support up to 115,200 bps
Port 2: Full duplex RS-232 with handshaking
Port 4: Full duplex RS-232, simplex 20 mA
Optional dual-channel serial expansion boards
Channel A: RS-232, RS-485, 20 mA
Channel B: RS-232, 20 mA

Display:

240 \times 64 pixel, transfective LCD
Panel mount: 3.8 \times 1.2 in (96 \times 30 mm)
Universal: 5.3 \times 1.5 in (133 \times 39 mm)

Keys/Buttons:

Ten-key (panel mount) membrane panel
22-key (universal) membrane panel tactile feel

Temperature:

Certified: 14 °F to 104 °F (-10 °C to 40 °C)
Operating: 14 °F to 122 °F (-10 °C to 50 °C)

Rating/Material:

NEMA Type 4X/IP66
Stainless steel

Weight:

Universal enclosure: 9.5 lb (4.3 kg)
Panel Mount enclosure: 8.5 lb (3.9 kg)

Warranty:

Two-year limited

EMC Immunity:

3 V/m

Approvals:

NTEP CC 08-022, Class III/IIL 10,000 d
Measurement Canada AM-5677C
Class III/IIHD 10,000d
CE Marked
UL/cUL Listed (universal)
UL/cUL Recognized (panel mount)

720i™ Series

Programmable Weight Indicator and Controller

Part Number/Price

| Part # | Description | Est. Weight | Price |
|-----------------------|--------------------------------------|-------------|------------|
| PCE Software | | | |
| 101230 † | 720i Universal, 115 VAC | 12 lb | \$2,045.00 |
| 103459 †† | 720i Universal, 115 to 230 VAC, CE | 12 lb | \$2,045.00 |
| 107708* | 720i Universal, 12 to 24 VDC | 12 lb | \$2,195.00 |
| 101229** | 720i Panel Mount, 115 to 230 VAC | 12 lb | \$2,045.00 |
| 119116** | 720i Panel Mount, 115 to 230 VAC, CE | 12 lb | \$2,045.00 |
| 107710* | 720i Panel Mount, 12 to 24 VDC | 12 lb | \$2,195.00 |
| Batch Software | | | |
| 115447 † | 720i Universal, 115 VAC | 12 lb | \$2,045.00 |
| 115448 †† | 720i Universal, 115 to 230 VAC, CE | 12 lb | \$2,045.00 |
| 115449** | 720i Panel Mount, 115 to 230 VAC | 12 lb | \$2,045.00 |

*DC/DC converter installed option, not UL approved

**Power cord sold separately



† US plug (NA) - Type B



†† Euro Plug - Type E

Options/Accessories

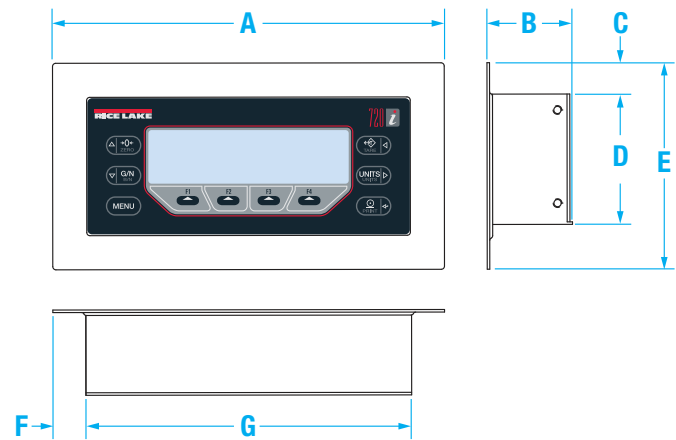
| Part # | Description | Price |
|--------------------------------|--|------------|
| Option Cards | | |
| 67601 | Digital I/O, 24-channel | \$325.00 |
| 67602 | Analog output: selectable 0-10 V, 0-20 mA | \$395.00 |
| 67604 | Serial, dual channel | \$425.00 |
| Network Cards | | |
| 77142 | Ethernet TCP/IP Port (replaces serial port 2) | \$545.00 |
| 71986 | Ethernet TCP/IP module (installed in option slot) | \$455.00 |
| 206272 | Wi-Fi 802.11 A/B (replaces serial port 2) | \$610.00 |
| 87803 | EtherNet/IP® interface | \$895.00 |
| 68540 | Profibus® DP interface | \$720.00 |
| 68541 | DeviceNet™ interface | \$720.00 |
| Hardware | | |
| 15436 | Power cord for Panel Mount NEMA Type 5-15 plug | \$18.00 |
| 105382 | Power cord for Panel Mount CEE 7/7 plug | \$18.00 |
| 19369 | Start/stop switch box | \$475.00 |
| 83569 | Clear protective overlay (package of five) | \$95.00 |
| 118975 | Mount kit to convert Universal to Panel - non-NEMA rated | \$245.00 |
| 101923 | Remote relay box, does not include relay | \$495.00 |
| Manuals & Software | | |
| 103121 | Installation manual | \$25.00 |
| Primary Component Parts | | |
| 106788 | CPU board assembly with PCE firmware | \$1,295.00 |
| 195388 | CPU board assembly with batching firmware | \$1,295.00 |
| 101244 | LCD display (Panel Mount) transfective | \$245.00 |
| 102888 | LCD display (Universal) transfective | \$245.00 |
| 101239 | Display board (includes display for Panel Mount) | \$595.00 |
| 102887 | Display board (w/o display for Universal) | \$495.00 |
| 67613 | AC power supply 100 to 240 nominal, 25 watt | \$225.00 |
| 132791 | DC/DC power supply 12 to 24 VDC nominal, 25 watt | \$235.00 |
| 101256 | Switch membrane for Panel Mount | \$145.00 |
| 101257 | Switch membrane for Universal | \$145.00 |

To have your option factory installed, please specify when placing your order.

INDICATORS /
CONTROLLERS

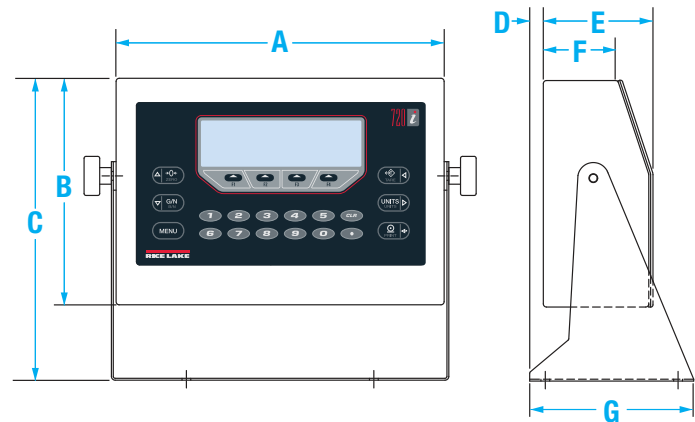
Dimensions

| 720i Panel Mount Display | | |
|--|------------------|-------------------|
| A | 7.36 in (187 mm) | D 2.45 in (62 mm) |
| B | 1.60 in (41 mm) | E 3.88 in (99 mm) |
| C | 0.59 in (15 mm) | F 0.62 in (16 mm) |
| 720i Panel Mount CPU Enclosure | | |
| (L × W × H): 12.75 × 6.05 × 2.14 in (324 × 154 × 5 mm) | | |



Dimensions

| 720i Universal | | |
|----------------|-------------------|-------------------|
| A | 10.50 in (267 mm) | D 0.44 in (11 mm) |
| B | 7.25 in (184 mm) | E 3.51 in (89 mm) |
| C | 9.66 in (245 mm) | F 2.31 in (59 mm) |



880/880 Plus Performance™ Series

Programmable Weight Indicator and Controller



880 Plus Universal

880 Panel Mount

INDICATORS /
CONTROLLERS

Specifications

Power:

Line voltages: 100 to 240 VAC
Frequency: 50/60 Hz
DC voltages: 12 to 24 VDC

Power Consumption:

AC: 15 W, DC: 20 W

Excitation Voltage:

10 VDC (± 5 VDC), 16 \times 350 ohm or
32 \times 700 ohm load cells

Analog Signal Input Range:

-45 mV to 45 mV

Analog Signal Sensitivity:

0.3 μ V/graduation minimum at 7.5 Hz;
1.0 μ V/graduation recommended

A/D Sample Rate:

7.5 to 960 Hz, software selectable

Resolution:

Internal: 8,000,000 counts
Display: 999,999

System Linearity:

$\pm 0.01\%$ full scale

Digital I/O:

Four I/O onboard, primary keys, pseudo
functions, batching functions

(Optional) Analog Output:

Voltage output: 0–10 VDC
Load resistance: 1 k ohm minimum
Current output: 0–20 mA or 4–20 mA
External loop resistance: 500 W maximum

(Optional) Relay Board:

Four channel relay module, dry contact 3 A at
115 VAC, 3 A at 30 VDC

Communication Ports:

RS-232 full duplex or RS-485 half duplex;
USB micro A/B connector 2.0;
Ethernet TCP/IP

Annunciators:

Gross, net, center of zero, standstill, lb, kg, tare,
preset tare, multi-range/interval 1/2/3

Display:

LED, 0.56 in (14 mm), six-digit, 14-segment with
decimal or comma

Keys/Buttons:

Membrane panel, tactile feel

Dimensions:

(L \times W \times H)
Panel: 6.00 \times 4.95 \times 4.00 in (152 \times 126 \times 102 mm)
Universal: 9.87 \times 4.00 \times 9.38 in
(248 \times 102 \times 235 mm)

Temperature:

Certified: 14 °F to 104 °F (-10 °C to 40 °C)
Operating: 14 °F to 122 °F (-10 °C to 50 °C)

Rating/Material:

Panel display: stainless steel, NEMA Type 4X,
Type 12 and IP69K
Panel mount controller: Aluminum
Universal: stainless steel, IP69K

Weight:

Panel: 2.5 lb (1.2 kg);
Universal: 6.5 lb (2.9 kg)

Warranty:

Two-year limited

EMC Immunity:

10 V/m

Approvals:

NTEP 13-080 Class III/IIIL, 10,000 d
Measurement Canada AM-5931C
OIML R76/2006-A-NL1-18.23 Class III, 10,000 d
EU Test Certificate TC8463
CE Marked
cULus Listed (universal)
cULus Recognized (panel mount)

Approvals



Measurement
Canada
Approved



Standard Features

- LED display
- USB device port connects directly to a PC
- Ethernet TCP/IP polled or continuous polled or continuous, server/client
- Built-in DIN-rail clips on controller box (panel mount)
- Display and controller can be separated up to 250 ft (panel mount)
- Hardware slot for one option card
- Operator functions through menu key for audit trail, preset tare, accumulator, time and date and setpoints
- Audit trail tracking for configuration and calibration changes. Password protection for user and configuration changes.
- 20 setpoints with latched batch engine or unlatched outputs
- Four onboard digital I/O channels
- Programmable ticket formats up to 1,000 characters for header text, gross, net, accumulator and setpoints
- Five-point linearization calibration
- Local/remote operation
- Multi-range or multi-interval weighing
- Filter settings for light, medium and heavy noise

Options

- Analog output
- Relay board
- Fieldbus connectivity
- Dual serial output (v4.00 and newer)
- 24-channel digital I/O (v4.00 and newer)
- Truck in/out program for 100 vehicle IDs
- Adapter plate for converting 310 and 520 panel mounts
- Panel mount kit for universal enclosure

880/880 Plus Performance™ Series

Digital Weight Indicator and Controller

INDICATORS /
CONTROLLERS

Part Number/Price

| Part # | Description | Est. Weight | Price |
|--------------------------------------|---|-------------|------------|
| 880 Panel Mount AC Powered* | | | |
| 177976 | 115 to 230 VAC, indicator | 4 lb | \$1,350.00 |
| 177979 | 115 to 230 VAC, with analog output | 4 lb | \$1,725.00 |
| 177980 | 115 to 230 VAC, with relay board | 4 lb | \$1,725.00 |
| 177982 | 115 to 230 VAC, with EtherNet/IP, single port | 4 lb | \$2,000.00 |
| 177983 | 115 to 230 VAC, with ProfiNet, single port | 4 lb | \$2,000.00 |
| 177984 | 115 to 230 VAC, with Modbus/TCP, single port | 4 lb | \$2,000.00 |
| 177985 | 115 to 230 VAC, with Profibus DP | 4 lb | \$2,000.00 |
| 177986 | 115 to 230 VAC, with DeviceNet | 4 lb | \$2,000.00 |
| 179155 | 115 to 230 VAC, with EtherCAT | 4 lb | \$2,000.00 |
| 880 Panel Mount DC Powered* | | | |
| 177987 | 12 to 24 VDC, indicator | 4 lb | \$1,450.00 |
| 880 Plus Universal AC Powered | | | |
| 177989 † | 115 VAC, indicator | 8 lb | \$1,600.00 |
| 178496 † | 115 VAC, with analog output | 8 lb | \$1,950.00 |
| 178499 † | 115 VAC, with relay board | 8 lb | \$1,950.00 |
| 179147 † | 115 VAC, with EtherNet/IP, single port | 8 lb | \$2,225.00 |
| 179148 † | 115 VAC, with Profinet, single port | 8 lb | \$2,225.00 |
| 179149 † | 115 VAC, with Modbus TCP, single port | 8 lb | \$2,225.00 |
| 179150 † | 115 VAC, with Profibus | 8 lb | \$2,225.00 |
| 179152 † | 115 VAC, with DeviceNet | 8 lb | \$2,225.00 |
| 179154 † | 115 VAC, with EtherCAT | 8 lb | \$2,225.00 |
| 177990 †† | 115 to 230 VAC, indicator | 8 lb | \$1,600.00 |
| 178497 †† | 115 to 230 VAC, with analog output | 8 lb | \$1,950.00 |
| 178500 †† | 115 to 230 VAC, with relay board | 8 lb | \$1,950.00 |
| 880 Plus Universal DC Powered | | | |
| 178495 | 9 to 36 VDC, indicator | 8 lb | \$1,700.00 |

*Power cord not included

Indicator part numbers contain the single port network card



† US plug (NA) - Type B



†† Euro Plug - Type E

Options/Accessories

| Part # | Description | Price |
|---------------------------------------|--|----------|
| Option Cards (5.5 in CPU only) | | |
| 179156 | Analog output, 0 to 10 VDC, 0 to 20 mA, 4 to 20 mA | \$375.00 |
| 179157 | Relay board, four dry contact outputs | \$350.00 |
| 197343** | Digital I/O, 24-channel TTL output | \$325.00 |
| 197347** | Serial ports, dual-channel RS-232/RS-485 | \$375.00 |
| Network Cards | | |
| 179158 | EtherCAT interface | \$600.00 |
| 179159 | EtherNet/IP® interface, single port | \$600.00 |
| 179160 | Profinet® interface, single port | \$600.00 |
| 179161 | Modbus TCP/IP interface, single port | \$600.00 |
| 179162 | DeviceNet® interface | \$600.00 |
| 179163 | Profibus DP interface | \$600.00 |
| 205566 | EtherNet/IP interface, dual port | \$805.00 |
| 205567 | Profinet interface, dual port | \$805.00 |
| Hardware | | |
| 153660 | Metrological sealing kit for panel mount | \$11.00 |
| 158404 | Adapter plate for IQ310 and 520 replacement | \$73.00 |
| 101923 | Relay box enclosure, does not include relay | \$495.00 |
| 177850 | Mount kit, convert Universal to Panel, non-NEMA | \$255.00 |
| 180835 | Universal backplate with RJ-45 receptacle | \$110.00 |
| 197422 | Universal backplate with micro USB receptacle | \$125.00 |
| 197724 | Clear protective overlay for Universal (pack of 5) | \$85.00 |
| 15436 | Power cord for Panel Mount, US plug | \$18.00 |
| 105382 | Power cord for Panel Mount, Euro plug | \$18.00 |
| 223864 | Knob, stainless steel M6 x 1.0 in | \$15.00 |

Options/Accessories

| Part # | Description | Price |
|--------------------------------|--|----------|
| Cables | | |
| 152434 | Cable, USB A to micro A shielded, 2 meters | \$55.00 |
| 156817 | Cable, Ethernet RJ45 connectors 1 meter | \$35.00 |
| 156806 | Cable, USB A to A, 1 meter | \$35.00 |
| 156809 | Cable, USB A to B, 1 meter | \$55.00 |
| Manuals and Software | | |
| 152240 | Operators manual | \$25.00 |
| 158387 | Technical manual | \$25.00 |
| Primary Component Parts | | |
| 131740 | Overlay, Panel Mount, six-key | \$69.00 |
| 163986 | Overlay, Universal with numeric keypad | \$69.00 |
| 131598 | Display board | \$240.00 |
| 175603* | Power supply, 100 to 240 VAC | \$210.00 |
| 175604* | Power supply, 12 to 24 VDC | \$315.00 |
| 175109* | CPU board | \$575.00 |

* Design change in 2017 to 5.5in wide controller, see replacement parts catalog for the 5.0inch wide boards.

** Requires version 4.0 firmware

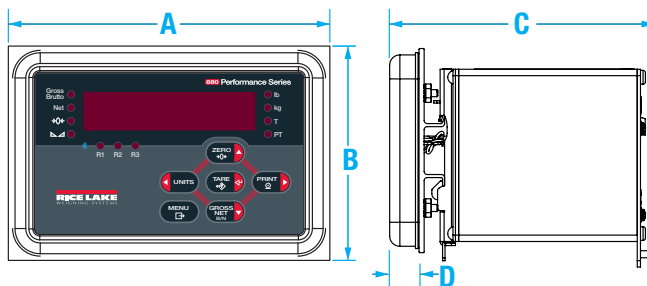
To have your option factory installed, please specify when placing your order.

880/880 Plus Performance™ Series

Digital Weight Indicator and Controller

Dimensions

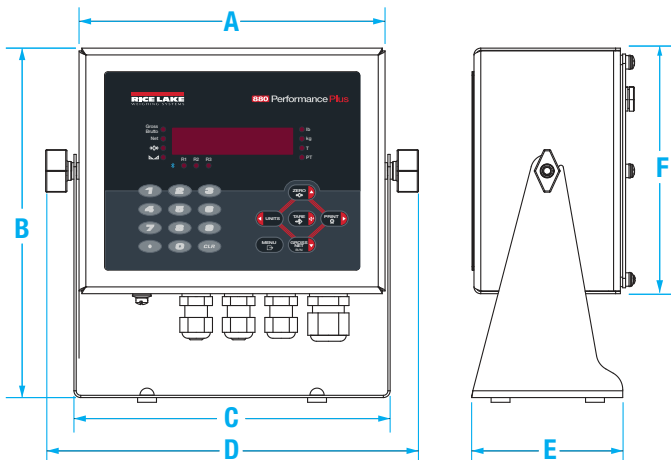
| 880 Panel Mount | | | |
|-----------------|------------------|---|-----------------------------|
| A | 6.00 in (152 mm) | C | 4.95 in (126 mm) |
| B | 4.00 in (102 mm) | D | 0.58 in (14 mm) BEZEL DEPTH |



INDICATORS /
CONTROLLERS

Dimensions

| 880 Universal | | | |
|---------------|------------------|---|------------------|
| A | 8.10 in (206 mm) | D | 9.87 in (248 mm) |
| B | 9.38 in (235 mm) | E | 4.00 in (102 mm) |
| C | 8.37 in (213 mm) | F | 6.50 in (165 mm) |





Approvals



Measurement
Canada
Approved



Standard Features

- Customizable backlit LCD graphical user interface
- 22 softkeys with 10 user-defined keys
- Tactile keypad for scale operations, numeric entry and navigation
- On-screen keyboard available during entry mode (or external keyboard)
- Supports 28 scales within 5 different scale types:
 - Analog load cell, multi-range/interval weighing
 - Total scale summing
 - Serial input scales
 - iQUBE² scales
 - Program scales
- 2 to 14 option slots for additional scale channels, serial ports, digital inputs and outputs, analog outputs and protocol interfaces
- iRite™ Programming Software
 - Customizable user applications with event-based functions
 - 150 built-in functions for application processes and data tables
- Four serial ports supporting RS-232, RS-485, 20mA
- USB Type A and B replaces Serial on Port 2 (USB model)
- Alibi memory captures serial port transmissions
- Configurable data stream format
- 100 setpoints, 27 configurable setpoint types
- Six digital I/O for control
- Four different enclosure types: universal, deep universal, wall mount, panel mount

Specifications

Power:

AC voltages: 100 to 240 VAC
Frequency: 50/60 Hz
DC voltages: 12 to 24 VDC

Power Consumption:

AC: 25 W (universal) or 65 W (others)
DC: 25 W for all models

Excitation Voltage:

10 VDC (± 5 VDC)
16 × 350 ohm or 32 × 700 ohm load cells
per A/D card

Analog Signal Input Range:

-45 mV to +45 mV

Analog Signal Sensitivity:

0.3 µV/graduation minimum at 7.5 Hz
1.0 µV/graduation recommended

A/D Sample Rate:

7.5 to 960 Hz, software selectable

Resolution:

Internal: 8,000,000 counts
Display: 1,000,000

System Linearity:

± 0.01% full scale

Digital I/O:

Six I/O channels on CPU board;
Optional 24-channel I/O expansion boards

Communication Ports:

Four ports on CPU board support up to 115,200bps
Port 1: Full duplex RS-232
Port 2: RS-232 with CTS/RTS; PS/2 keyboard
interface or USB type A and B connectors
Port 3: Full duplex RS-232, 20mA
Port 4: Full duplex RS-232, 2-wire RS-485, 20mA
Optional dual-channel serial expansion boards
Channel A: RS-232, RS-485, 20 mA
Channel B: RS-232, 20 mA

Display:

(W × H)
4.6 × 3.4 in (116 × 86 mm),
320 × 240 pixel
LCD module with adjustable contrast
Transmissive display
Transflective display (optional)

Keys/Buttons:

27-key membrane panel, tactile feel,
PS/2 or USB port for external keyboard connection

Temperature:

Certified: 14 °F to 104 °F (-10 °C to 40 °C)
Operating: 14 °F to 122 °F (-10 °C to 50 °C)

Rating/Material:

NEMA Type 4X, Type 12, IP66
Stainless steel

Weight:

Universal enclosure: 9.5 lb (4.3 kg)
Wall mount enclosure: 23.0 lb (10.4 kg)
Panel mount enclosure: 8.5 lb (3.9 kg)
Deep universal: 11 lb (5.0 kg)

Warranty:

Two-year limited

EMC Immunity:

10 V/m

Approvals:

NTEP 01-088, Class III/IIIL 10,000 d
Measurement Canada AM-5426,
Class III/III HD 10,000 d
OIML R76/2006-A-GB1-19.08
EU Test Certificate TC11584
cULus Listed (Universal, Deep Universal and
Wall Mount)
cULus Recognized (Panel Mount)
cULus Listed 508A (Custom Wall Mount)
CE Marked

920i® Series

Programmable Weight Indicator and Controller

INDICATORS / CONTROLLERS



920i Universal Part Number/Price

| Part # | Description | USB | Est. Weight | Price |
|-----------------------|-----------------------|-----|-------------|------------|
| Single-Channel | | | | |
| 67527 † | 115 VAC | | 10 lb | \$3,395.00 |
| 115003 † | 115 VAC | USB | 10 lb | \$3,545.00 |
| 67615 † | 230 VAC | | 10 lb | \$3,395.00 |
| 120062 † | 230 VAC | USB | 10 lb | \$3,545.00 |
| 69522 †† | 230 VAC | | 10 lb | \$3,395.00 |
| 120074 †† | 230 VAC | USB | 10 lb | \$3,545.00 |
| 107713 * | 12 to 24 VDC, 25 watt | | 10 lb | \$3,545.00 |
| 120080 * | 12 to 24 VDC, 25 watt | USB | 10 lb | \$3,695.00 |
| Dual-Channel | | | | |
| 69767 † | 115 VAC | | 10 lb | \$3,545.00 |
| 120086 † | 115 VAC | USB | 10 lb | \$3,695.00 |
| 69772 † | 230 VAC | | 10 lb | \$3,545.00 |
| 120090 † | 230 VAC | USB | 10 lb | \$3,695.00 |
| 69774 †† | 230 VAC | | 10 lb | \$3,545.00 |
| 120096 †† | 230 VAC | USB | 10 lb | \$3,695.00 |
| No A/D Channel | | | | |
| 77790 † | 115 VAC | | 10 lb | \$3,195.00 |
| 120100 † | 115 VAC | USB | 10 lb | \$3,345.00 |
| 77791 †† | 230 VAC | | 10 lb | \$3,195.00 |
| 120104 †† | 230 VAC | USB | 10 lb | \$3,345.00 |

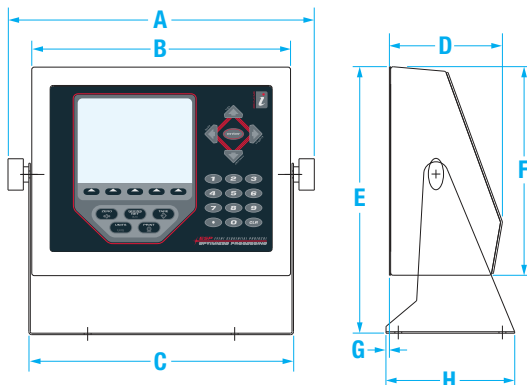
*DC/DC converter installed option, not UL approved



† US plug (NA) - Type B



†† Euro Plug - Type E



Dimensions

| 920i Universal | | | | | |
|----------------|-------------------|---|-------------------|---|------------------|
| A | 12.50 in (318 mm) | D | 4.61 in (117 mm) | G | 0.14 in (3.5 mm) |
| B | 10.56 in (268 mm) | E | 10.87 in (276 mm) | H | 5.25 in (206 mm) |
| C | 10.90 in (277 mm) | F | 8.50 in (216 mm) | | |

920i Deep Universal Part Number/Price

| Part # | Description | USB | Est. Weight | Price |
|-----------------------|-----------------------|-----|-------------|------------|
| Single-Channel | | | | |
| 82455 † | 115 VAC | | 12 lb | \$3,695.00 |
| 115004 † | 115 VAC | USB | 12 lb | \$3,795.00 |
| 82457 † | 230 VAC | | 12 lb | \$3,695.00 |
| 120064 † | 230 VAC | USB | 12 lb | \$3,795.00 |
| 82459 †† | 230 VAC | | 12 lb | \$3,695.00 |
| 120075 †† | 230 VAC | USB | 12 lb | \$3,795.00 |
| 107714 * | 12 to 24 VDC, 25 watt | | 12 lb | \$3,795.00 |
| 120081 * | 12 to 24 VDC, 25 watt | USB | 12 lb | \$3,945.00 |
| Dual-Channel | | | | |
| 82456 † | 115 VAC | | 12 lb | \$3,795.00 |
| 120087 † | 115 VAC | USB | 12 lb | \$3,945.00 |
| 82458 † | 230 VAC | | 12 lb | \$3,795.00 |
| 120092 † | 230 VAC | USB | 12 lb | \$3,945.00 |
| 82460 †† | 230 VAC | | 12 lb | \$3,795.00 |
| 120097 †† | 230 VAC | USB | 12 lb | \$3,945.00 |
| No A/D Channel | | | | |
| 93243 † | 115 VAC | | 12 lb | \$3,445.00 |
| 120101 † | 115 VAC | USB | 12 lb | \$3,595.00 |
| 93244 †† | 230 VAC | | 12 lb | \$3,445.00 |
| 120105 †† | 230 VAC | USB | 12 lb | \$3,595.00 |

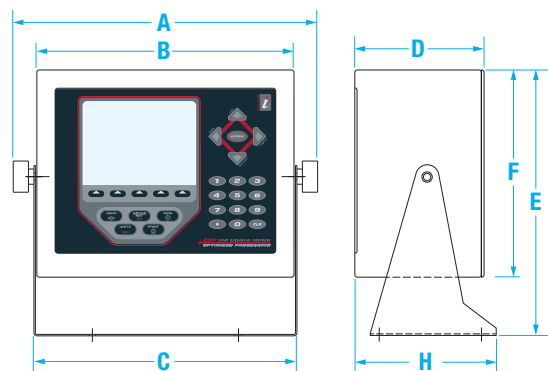
*DC/DC converter installed option, not UL approved



† US plug (NA) - Type B



†† Euro Plug - Type E



Dimensions

| 920i Deep Universal | | | | | |
|---------------------|-------------------|---|-------------------|---|------------------|
| A | 12.50 in (318 mm) | D | 5.36 in (136 mm) | F | 8.50 in (216 mm) |
| B | 10.76 in (273 mm) | E | 10.87 in (276 mm) | H | 5.88 in (149 mm) |
| C | 10.90 in (277 mm) | | | | |



920i Wall Mount Part Number/Price

| Part # | Description | USB | Est. Weight | Price |
|-----------------------|----------------------------------|-----|-------------|------------|
| Single-Channel | | | | |
| 69763 † | 115 VAC | | 23 lb | \$4,295.00 |
| 115005 † | 115 VAC | USB | 23 lb | \$4,395.00 |
| 69765 † | 230 VAC | | 23 lb | \$4,295.00 |
| 120066 † | 230 VAC | USB | 23 lb | \$4,395.00 |
| 72133 †† | 230 VAC | | 23 lb | \$4,295.00 |
| 120078 †† | 230 VAC | USB | 23 lb | \$4,395.00 |
| 107715* | 12-24 VDC, 25 watt | | 23 lb | \$4,395.00 |
| 120082* | 12-24 VDC, 25 watt | USB | 23 lb | \$4,545.00 |
| Dual-Channel | | | | |
| 69770 † | 115 VAC | | 23 lb | \$4,395.00 |
| 120088 † | 115 VAC | USB | 23 lb | \$4,545.00 |
| 69776 † | 230 VAC | | 23 lb | \$4,395.00 |
| 120093 † | 230 VAC | USB | 23 lb | \$4,545.00 |
| 72134 †† | 230 VAC | | 23 lb | \$4,395.00 |
| 120098 †† | 230 VAC | USB | 23 lb | \$4,545.00 |
| No A/D Channel | | | | |
| 77794 † | 115 VAC | | 23 lb | \$4,095.00 |
| 120102 † | 115 VAC | USB | 23 lb | \$4,195.00 |
| 77795 †† | 230 VAC | | 23 lb | \$4,095.00 |
| 120106 †† | 230 VAC | USB | 23 lb | \$4,195.00 |
| 153346 | 115 VAC with start/stop switches | | 23 lb | \$4,445.00 |

920i Panel Mount Part Number/Price

| Part # | Description | USB | Est. Weight | Price |
|-----------------------|--------------------|-----|-------------|------------|
| Single-Channel | | | | |
| 69764 † | 115 VAC | | 9 lb | \$3,395.00 |
| 115006 † | 115 VAC | USB | 9 lb | \$3,545.00 |
| 69766 † | 230 VAC | | 9 lb | \$3,395.00 |
| 120069 † | 230 VAC | USB | 9 lb | \$3,545.00 |
| 72137 †† | 230 VAC | | 9 lb | \$3,395.00 |
| 120079 †† | 230 VAC | USB | 9 lb | \$3,545.00 |
| 107716* | 12-24 VDC, 25 watt | | 9 lb | \$3,545.00 |
| 120083* | 12-24 VDC, 25 watt | USB | 9 lb | \$3,695.00 |
| Dual-Channel | | | | |
| 69771 † | 115 VAC | | 9 lb | \$3,545.00 |
| 120089 † | 115 VAC | USB | 9 lb | \$3,695.00 |
| 69777 † | 230 VAC | | 9 lb | \$3,545.00 |
| 120095 † | 230 VAC | USB | 9 lb | \$3,695.00 |
| 72138 †† | 230 VAC | | 9 lb | \$3,545.00 |
| 120099 †† | 230 VAC | USB | 9 lb | \$3,695.00 |
| No A/D Channel | | | | |
| 77792 † | 115 VAC | | 9 lb | \$3,195.00 |
| 120103 † | 115 VAC | USB | 9 lb | \$3,345.00 |
| 77793 †† | 230 VAC | | 9 lb | \$3,195.00 |
| 120107 †† | 230 VAC | USB | 9 lb | \$3,345.00 |

*DC/DC converter installed option, not UL approved

*DC/DC converter installed option, not UL approved



† US plug (NA) - Type B



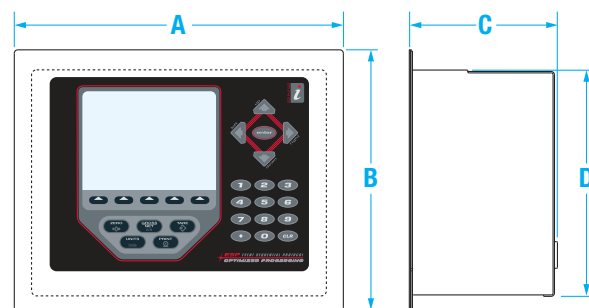
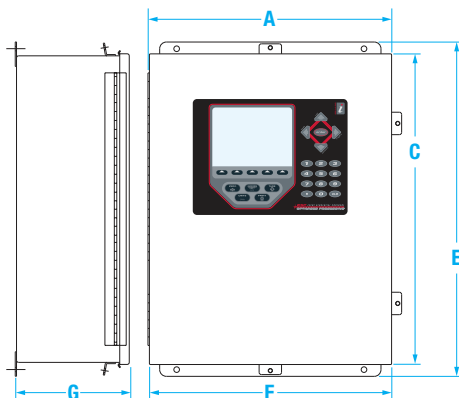
†† Euro Plug - Type E



† US plug (NA) - Type B



†† Euro Plug - Type E



Dimensions

| 920i Wall Mount | | | |
|-----------------|-------------------|---|-------------------|
| A | 14.30 in (363 mm) | D | 18.84 in (479 mm) |
| B | 11.00 in (279 mm) | E | 19.63 in (499 mm) |
| C | 18.20 in (462 mm) | F | 14.30 in (363 mm) |
| | | G | 6.75 in (171 mm) |

Dimensions

| 920i Panel Mount | | | |
|------------------|-------------------|---|------------------|
| A | 11.56 in (294 mm) | C | 5.20 in (132 mm) |
| B | 9.16 in (233 mm) | D | 7.95 in (202 mm) |

920i[®] Series

Programmable Weight Indicator and Controller

To have your option factory installed, please specify when placing your order.

Options/Accessories

| Part # | Description | Price |
|-----------------------------|---|------------|
| Option Cards | | |
| 68532 | A/D, single-channel | \$395.00 |
| 68533 | A/D, dual-channel | \$525.00 |
| 67600 | Memory, 1 MB NV RAM | \$595.00 |
| 67601 | Digital I/O, 24-channel TTL output | \$325.00 |
| 67602 | Analog output: selectable 0-10 V, 0-20 mA | \$395.00 |
| 103138 | Analog output, dual-channel 0-10 V, 0-20 mA | \$625.00 |
| 67604 | Serial port card, dual-channel, RS-232 and RS-485 | \$425.00 |
| 87697 | Analog input +/-10 VDC, 0-20 mA and thermocouple | \$725.00 |
| Network Cards | | |
| 65383 | Ethernet thin server (external) | \$385.00 |
| 71986 | Ethernet TCP/IP 10/100 module (internal) | \$455.00 |
| 206271 | Wireless LAN module 802.11 b/g | \$670.00 |
| 87803 | EtherNet/IP [®] interface | \$895.00 |
| 68540 | Profibus [®] DP interface | \$720.00 |
| 187816 | Profinet [®] I/O interface | \$895.00 |
| 68541 | DeviceNet [™] interface | \$720.00 |
| 103136 | ControlNet [®] interface | \$1,080.00 |
| Expansion Cards | | |
| 69782 | Two-slot expansion board (wall mount) | \$395.00 |
| 71743 | Two-slot expansion board (panel mount and deep universal) | \$395.00 |
| 180047 | Two-slot expansion board (panel mount, DC powered) | \$395.00 |
| 179488 | Two-slot expansion board (wall mount DC powered) | \$395.00 |
| 69783 | Six-slot expansion board (wall mount) | \$495.00 |
| Hardware | | |
| 83569 | Clear protective overlay (package of 5) | \$95.00 |
| 70056 | Cable, DB9M to DB9F, Straight Cable | \$40.00 |
| 99149 | Keyboard, QWERTY 109-key USB, flexible, washable | \$135.00 |
| 77788 | Fiber optic board, installed in 920i | \$220.00 |
| 92777 | Filter, PreVent [™] vent kit PG 7 cord grip | \$32.00 |
| 19368 | Start/stop controls without box, for use on wall mount | \$475.00 |
| 19369 | Start/stop switch with FRP box | \$475.00 |
| 93359 | Keyboard, QWERTY PS/2 connector | \$95.00 |
| Manuals and Software | | |
| 69781 | iRev [™] scale software | \$95.00 |
| 72809 | Interchange [®] database software | \$325.00 |
| 67887 | Additional installation manual | \$55.00 |
| 67888 | Additional programming reference | \$55.00 |

Primary Component Parts

| Part # | Description | Price |
|---------------------|---|------------|
| Boards | | |
| 186272*** | CPU board assembly for LED backlight, (blue color) | \$1,725.00 |
| 186273*** | Display board, LED back light, transmissive | \$395.00 |
| 186274*** | Display board, LED back light, transfective | \$395.00 |
| 206696*** | Display kit (186273) and retrofit cable (207045) | \$425.00 |
| Power Supply | | |
| 67613 | AC power supply, 25 watt for universal | \$225.00 |
| 71333 | AC power supply, 65 watt for deep, panel and wall mount | \$295.00 |
| 132791 | Power supply 12 to 24 VDC, 25 watt | \$235.00 |
| Membrane | | |
| 66502 | Switch panel membrane | \$125.00 |

***Design change in 2018 to LED backlight display.
CCFL backlight displays are no longer available.

The LED backlight display can be used with green CPU board Rev N or older by replacing the power supply cable, see Tech Bulletin PN 189640 for compatibility details. There is a generic retrofit PN 207045 for the existing power supply cable or a new power supply cable can be installed. Universal 186464 (AC) 186464 (DC); Deep universal 186278 (AC) 187603 (DC); Panel 186278 (AC) 187603 (DC); Wall 186760 (AC) 188345 (DC); Two-slot expansion for wall 188716 (AC) 189424 (DC); Two-slot expansion panel for deep universal 188717 (AC) 189425 (DC); Six-slot expansion for wall 188774 (AC).

Miscellaneous Parts

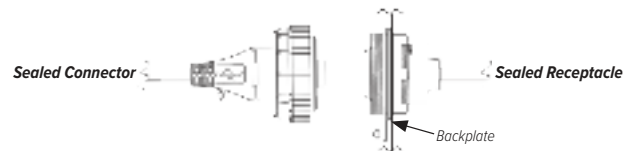
| Part # | Description | Price |
|-------------------------------|--|----------|
| Cables for Digital I/O | | |
| 70780 | 50-Pin flat ribbon, 24 in | \$95.00 |
| 93577 | 50-Pin flat ribbon, 31 in | \$75.00 |
| 94384 | 50-Pin flat ribbon, 50 in | \$95.00 |
| 70779 | 50-Pin round ribbon with cord grip, 60 in | \$195.00 |
| 72442 | 50-Pin round ribbon without cord grip, 60 in | \$195.00 |

Cables and Receptacles

| Part # | Connector Type | Length | Price |
|--|--|--------|----------|
| USB Cables (Connector is a male plug) | | | |
| 79074 | A UNSEALED B UNSEALED | 2 m | \$35.00 |
| 124700 | A SEALED B SEALED | 3 m | \$125.00 |
| 126477 | A SEALED A UNSEALED | 3 m | \$545.00 |
| 124701 | A SEALED B UNSEALED | 3 m | \$745.00 |
| 124702 | B SEALED A UNSEALED | 3 m | \$675.00 |
| USB Receptacles (Receptacle is a socket) | | | |
| 126476* | A SEALED A UNSEALED | 0.5 m | \$125.00 |
| 124703* | A SEALED B UNSEALED | 0.5 m | \$125.00 |
| 124704* | B SEALED B UNSEALED | 0.5 m | \$125.00 |
| 125998* | A SEALED FIVE-PIN Internal to 920i | 0.28 m | \$125.00 |
| 125999* | B SEALED FIVE-PIN Internal to 920i | 0.28 m | \$125.00 |
| Ethernet Cables | | | |
| 124706 | RJ-45 SEALED RJ-45 SEALED | 3 m | \$625.00 |
| 124707 | RJ-45 SEALED RJ-45 UNSEALED | 2 m | \$125.00 |
| Ethernet Receptacles (Receptacle is a socket) | | | |
| 176789* | RJ-45 SEALED | 0.75 m | \$145.00 |
| 172734* | RJ-45 SEALED | 0.5 m | \$90.00 |
| 126353* | RJ-45 SEALED | 0.28 m | \$125.00 |
| Cable and Receptacle Accessories | | | |
| 124695 | Panel plug 1.125 in diameter | | \$15.00 |
| 124694 | Cover for sealed receptacles | | \$25.00 |
| 124689 | Cover for flash driver mounts on sealed receptacle | | \$45.00 |
| 195607 | USB Flash Drive 8GB | | \$9.00 |

*These options require a milled back plate

Unsealed Connectors



1280 Enterprise™ Series

Programmable Color Touchscreen Weight Indicator and Controller



Approvals



Standard Features

- Customizable color touchscreen with graphical user interface
- User-defined softkeys, icons and graphics
- Tactile keypad for scale operations, numeric entry and navigation
- On-screen keyboard available during entry mode (or external keyboard)
- Built-in web server for remote access, systems integration and data monitoring
- Multi-language operation and text entry
- Supports eight scales within five different kinds:
 - Analog load cell, multi-range/interval weighing
 - Total scale summing
 - Serial input scales
 - iQUBE²™ scales
 - Program scales
- Six smart card slots for additional scale channels, serial ports, digital inputs and outputs, analog outputs and protocol interfaces
- iRite™ Programming Software
 - Five built-in applications: Truck In/Out, recipe storage, filling/dosing, counting, checkweighing
 - Customizable user programs with event-based functions
 - 150 built-in functions for common processes and data tables
 - Customize and transfer data via email, FTP server and networked printers
 - Display data with line charts or bar graphs
 - iRite reporting of iQUBE² alerts
- Email, USB, Ethernet TCP/IP, Wi-Fi Direct®, two serial ports RS-232 or RS-485
- Alibi memory captures serial port transmissions
- Four configurable data-stream formats for PC, printers and remote displays
- 100 setpoints, 18 configurable setpoint types
- Eight digital I/O for control and pulse count
- Three different enclosure types: universal with tilt stand, panel mount and wall mount

Specifications

Power:

AC voltages: 100 to 240 VAC; 50/60 Hz
DC voltages: 11 to 30 VDC

Power Consumption:

60 W

Excitation Voltage:

10 VDC (± 5 VDC)
16 × 350 ohm or 32 × 700 ohm load cells per A/D card

Analog Signal Input Range:

-60 mV to 60 mV

Analog Signal Sensitivity:

0.3 µV/graduation minimum at 7.5 Hz to 120 Hz
1.0 µV/graduation recommended

A/D Sample Rate:

7.5 to 960 Hz, software selectable

Resolution:

Internal: 8,000,000 counts
Display: 1,000,000

System Linearity

± 0.01% full scale

Digital I/O:

Eight I/O channels on CPU board
Optional 24-channel I/O expansion boards

Communication Ports:

Port 1 & 2: Full duplex RS-232 with CTS/RTS, RS-422/485
Baud rate: 1200 to 115200
Port 3: USB 2.0 Device (Micro)
USB host: (2) Type A connectors max 500 mA
Ethernet: Wired 10/100 Auto-MDX
Ethernet: Wireless 802.11 b/g/n 2.4GHz

Onboard:

Selectable filters: Three stage, Adaptive or Damping
Embedded Linux® OS
8 GB eMMC (system use)
1 GB DDR3 RAM
460 MB onboard database (SQLite) storage
Up to 32 GB micro SD card (sold separately)

Display:

Seven-inch, 800 × 480 pixel, 500 or 1,000 NIT
Twelve-inch, 1280 × 800 pixel, 1,500 NIT

Keys/Buttons:

22-key membrane panel, tactile buttons, on-screen keyboard for text and numeric entry, USB port for flash drive, keyboard and printer

Temperature:

Certified: 14 °F to 104 °F (-10 °C to 40 °C)
Operating: -4 °F to 131 °F (-20 °C to 55 °C)

Rating/Material:

Universal: IP69K
Wall Mount: IP66
Panel Mount: IP69K, NEMA Type 4X and 12
Stainless steel 304 enclosure

Weight:

Universal enclosure: 11 lb (4.9 kg)
Panel mount enclosure: 8 lb (3.6 kg)
Wall mount enclosure: 23 lb (10.4 kg)
Panel mount 7 in touch-only: 7 lb (3.1 kg)
Panel mount 12 in touch-only: 10 lb (4.5 kg)

Warranty:

Two-year limited

EMC Immunity:

10 V/m

Approvals:

NTEP 15-001/Class III/IIIL 10,000 d
Measurement Canada AM-5980C,
Class III/III HD 10,000 d
OIML R76/2006-A-NL1-19.23 Class III/III 10,000 d
OIML R61-1/2017 TC8596
cULus Listed (Universal, Wall Mount)
cULus Recognized (Panel Mount)
CE Marked

INDICATORS /
CONTROLLERS

1280 Enterprise™ Series

Programmable Color Touchscreen Weight Indicator and Controller



7-inch model with keypad



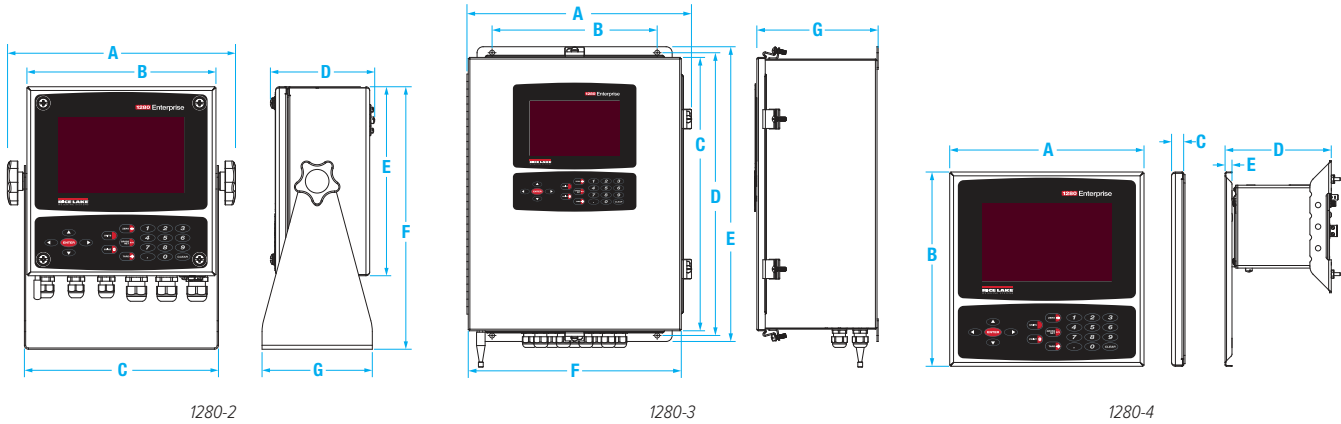
7-inch touch-only model



12-inch touch-only model

INDICATORS /
CONTROLLERS

Numeric Keypad Models:



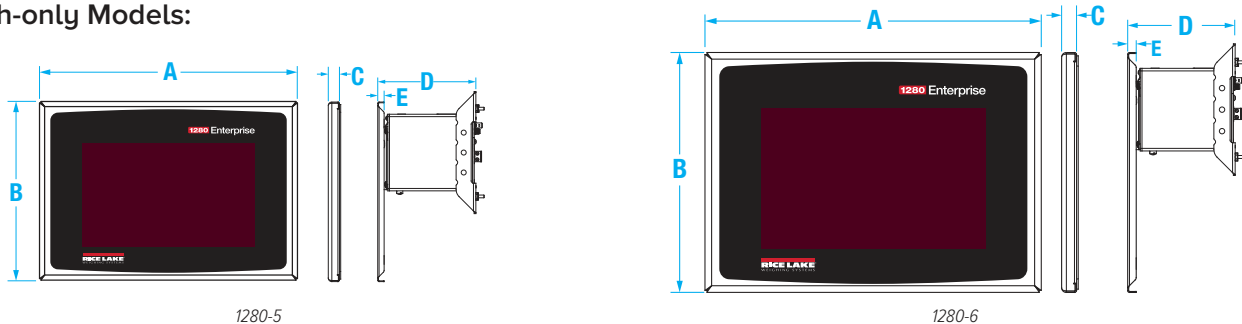
Dimensions

| Universal (1280-2) | | | |
|--------------------|-------------------|---|-------------------|
| A | 10.86 in (276 mm) | E | 9.00 in (229 mm) |
| B | 9.00 in (229 mm) | F | 12.50 in (318 mm) |
| C | 9.24 in (235 mm) | G | 5.25 in (133 mm) |
| D | 4.97 in (126 mm) | | |

| Wall Mount (1280-3) | | | |
|---------------------|-------------------|---|-------------------|
| A | 14.92 in (379 mm) | E | 19.64 in (499 mm) |
| B | 11.00 in (279 mm) | F | 14.20 in (361 mm) |
| C | 18.22 in (463 mm) | G | 8.08 in (205 mm) |
| D | 18.84 in (479 mm) | | |

| Panel Mount (1280-4) | | | |
|----------------------|------------------|---|------------------|
| A | 9.00 in (229 mm) | D | 5.34 in (136 mm) |
| B | 9.00 in (229 mm) | E | 0.32 in (8 mm) |
| C | 0.58 in (15 mm) | | |

Touch-only Models:



Dimensions

| 7-inch Touch-only (1280-5) | | | |
|----------------------------|------------------|---|------------------|
| A | 9.00 in (229 mm) | D | 5.34 in (136 mm) |
| B | 6.22 in (158 mm) | E | 0.32 in (8 mm) |
| C | 0.58 in (15 mm) | | |

| 12-inch Touch-only (1280-6) | | | |
|-----------------------------|-------------------|---|------------------|
| A | 14.00 in (356 mm) | D | 5.34 in (136 mm) |
| B | 10.00 in (254 mm) | E | 0.32 in (8 mm) |
| C | 0.58 in (15 mm) | | |

1280 Enterprise™ Series

Programmable Color Touchscreen Weight Indicator and Controller

Part Number/Price

| Part # | Description | Power | Display | Option Installed | Price |
|--|-----------------------|----------------|-----------|-------------------|------------|
| Universal Enclosure with 500 NIT Display (1280-2) | | | | | |
| 171427 † | 1280 Universal | 115 VAC | 500 NIT | Single Scale Card | \$3,850.00 |
| 171441 †† | 1280 Universal | 100 to 240 VAC | 500 NIT | Single Scale Card | \$3,850.00 |
| 171662 † | 1280 Universal | 115 VAC | 500 NIT | Dual Scale Card | \$4,050.00 |
| 172188 †† | 1280 Universal | 100 to 240 VAC | 500 NIT | Dual Scale Card | \$4,150.00 |
| Panel Mount Enclosure with 500 NIT Display (1280-4) | | | | | |
| 171663 | 1280 Panel Mount | 100 to 240 VAC | 500 NIT | Single Scale Card | \$3,725.00 |
| 172186 | 1280 Panel Mount | 100 to 240 VAC | 500 NIT | Dual Scale Card | \$3,950.00 |
| Wall Mount Enclosure with 500 NIT Display (1280-3) | | | | | |
| 173673 † | 1280 Wall Mount | 115 VAC | 500 NIT | Single Scale Card | \$4,250.00 |
| 174143 †† | 1280 Wall Mount | 100 to 240 VAC | 500 NIT | Single Scale Card | \$4,250.00 |
| 174144 † | 1280 Wall Mount | 115 VAC | 500 NIT | Dual Scale Card | \$4,550.00 |
| 174145 †† | 1280 Wall Mount | 100 to 240 VAC | 500 NIT | Dual Scale Card | \$4,550.00 |
| Wall Mount Enclosure with 1000 NIT Display (1280-3) | | | | | |
| 172184 † | 1280 Wall Mount | 115 VAC | 1,000 NIT | Single Scale Card | \$4,350.00 |
| 172185 †† | 1280 Wall Mount | 100 to 240 VAC | 1,000 NIT | Single Scale Card | \$4,350.00 |
| 206563 † | 1280 Wall Mount | 115 VAC | 1,000 NIT | Dual Scale Card | \$4,550.00 |
| 172187 †† | 1280 Wall Mount | 100 to 240 VAC | 1,000 NIT | Dual Scale Card | \$4,650.00 |
| Touch-only 7 inch with 500 NIT Display (1280-5) | | | | | |
| 186618 | 1280 Touch-only 7 in | 100 to 240 VAC | 500 NIT | Single Scale Card | \$3,750.00 |
| Touch-only 12 inch with 1500 NIT Display (1280-6) | | | | | |
| 186465 | 1280 Touch-only 12 in | 100 to 240 VAC | 1,500 NIT | Single Scale Card | \$4,375.00 |



† US plug (NA) - Type B



†† Euro Plug - Type E



(Brazil) - Type N



††† BS1363 (UK) - Type G



†††† AS 3112 (Australian) - Type I

INDICATORS /
CONTROLLERS

Model Reference Chart

Choose any options to best fit your application and we customize

| ENCLOSURE TYPE | POWER TYPE | DISPLAY TYPE | CORD TYPE | OPTION CARDS <small>ALL SLOTS MUST BE FILLED</small> |
|--|--|---|---|--|
| <ol style="list-style-type: none"> Universal (1280-2) Panel (1280-4) Wall (1280-3) Touch-only Panel 7 in (1280-5) Touch-only Panel 12 in (1280-6) | <ol style="list-style-type: none"> AC DC | <ol style="list-style-type: none"> 500NIT 7 in Universal 1000NIT 7 in Universal 500NIT 7 in Panel/Wall 1000NIT 7 in Panel/Wall 1500NIT 12 in Panel | <ol style="list-style-type: none"> US Plug Universal Brazil Plug Universal Euro Plug Universal US Plug Wall Euro Plug Wall Brazil Plug Wall UK Plug Universal AU/NZ Plug Universal UK Plug Wall AU/NZ Plug Wall | <ol style="list-style-type: none"> Blank <small>If no option, controller will need 6 blanks</small> Single A/D Scale Dual A/D Scale 24 Channel Digital I/O Dual Serial Channel 4-dry Contact Relay Single Analog Out Dual Analog Out Analog Input EtherNet/IP DeviceNet ProfiNet Modbus TCP Profibus DP EtherCat PowerLink |

1280 Enterprise™ Series

Programmable Color Touchscreen Weight Indicator and Controller

INDICATORS / CONTROLLERS

Single A/D Scale



Excitation Voltage:
10 VDC bi-polar, 4 or 6 wire sensing
16 × 350 ohms per channel

Analog Input Signal:
- 10 to + 40 mV

| Part # | Description | Price |
|--------|------------------|----------|
| 220026 | Single scale A/D | \$475.00 |
| 166957 | A/D sealing kit | \$15.00 |

Dual A/D Scale



Excitation Voltage:
10 VDC bi-polar, 4 or 6 wire sensing
8 × 350 ohms per channel

Analog Input Signal:
- 10 to + 40 mV

| Part # | Description | Price |
|--------|-----------------|----------|
| 220027 | Dual scale A/D | \$675.00 |
| 166957 | A/D sealing kit | \$15.00 |

Digital I/O



24 channels, configurable as inputs or outputs
Inputs: 5 VDC max, active low; Outputs: 20 mA max per channel, active low; 5 VDC source available: 500 mA max

| Part # | Description | Price |
|---------|---|----------|
| 164684* | Digital I/O | \$350.00 |
| 170008 | DIO adapter, includes 60 pin flat ribbon cable, 24 in | \$130.00 |
| 170009 | DIO adapter, includes 60 pin round cable, 60 in | \$155.00 |
| 170736 | DIO adapter, includes 60 pin cable and cord grip, 60 in | \$155.00 |

* 24 I/O ribbon cable required.

Dual Serial Channel



Two-channel, full duplex RS-232 with CTS/RTS, RS-485 or RS-422, 1200 to 115200 baud

| Part # | Description | Price |
|--------|---------------------|----------|
| 164685 | Dual serial channel | \$425.00 |

Single Analog Out



16 bit, voltage output 0 to 10 VDC, current output 0 to 20 mA, 4 to 20 mA

| Part # | Description | Price |
|--------|-------------------|----------|
| 165366 | Single analog out | \$375.00 |

Dual Analog Out



16 bit, voltage output 0 to 10 VDC, current output 0 to 20 mA, 4 to 20 mA

| Part # | Description | Price |
|--------|-----------------|----------|
| 164686 | Dual analog out | \$550.00 |

Relay Card



Relay four-dry contact, max current 3 A @ 30 VDC, 3 A @ 250 VAC

| Part # | Description | Price |
|--------|-------------|----------|
| 164689 | Relay card | \$425.00 |

Analog Input



Analog Input Signal:
± 10 VDC, ± 100 mV, 0 to 20 mA

| Part # | Description | Price |
|--------|-------------------|----------|
| 164687 | Dual analog input | \$650.00 |

Data Exchange with PLC/DCS Systems

EtherNet/IP



| Part # | Description | Price |
|--------|--------------------------|----------|
| 165792 | EtherNet/IP, single port | \$620.00 |
| 208129 | EtherNet/IP, dual port | \$805.00 |

DeviceNet



| Part # | Description | Price |
|--------|-------------|----------|
| 165793 | DeviceNet | \$620.00 |

Profinet



| Part # | Description | Price |
|--------|-------------|----------|
| 165794 | Profinet | \$620.00 |

Modbus TCP



| Part # | Description | Price |
|--------|-------------|----------|
| 165796 | Modbus TCP | \$620.00 |

Profibus DP



| Part # | Description | Price |
|--------|-------------|----------|
| 165795 | Profibus DP | \$620.00 |

EtherCAT



| Part # | Description | Price |
|--------|-------------|----------|
| 179533 | EtherCAT | \$620.00 |

1280 Enterprise™ Series

Programmable Color Touchscreen Weight Indicator and Controller

Options/Accessories

To have your option factory installed, please specify when placing your order.

| Part # | Description | Price |
|--|---|----------|
| Manuals and Software | | |
| 167659 | Manual, Technical | \$35.00 |
| 72809 | Interchange database software | \$325.00 |
| 164939 | 8 GB Micro SD card with SD and USB adapter | \$25.00 |
| 195607 | USB flash drive, 1 GB | \$9.00 |
| Extended Display Cable Length for Touch Only Models | | |
| 182600 | Display cable for 7 in (500 NIT) touch-only, 5 ft length | \$130.00 |
| 182601 | Display cable for 7 in (500 NIT) touch-only, 10 ft length | \$160.00 |
| 187489 | Display cable for 7 in (1,000 NIT) touch-only, 10 ft length | \$160.00 |
| 180027 | Display cable for 12 in touch-only, 5 ft length | \$160.00 |
| 180028 | Display cable for 12 in touch-only, 10 ft length | \$160.00 |
| Extended Touch Cable Length for Touch Only Models | | |
| 180744 | Touch cable for touch-only, 5 ft length | \$105.00 |
| 180745 | Touch cable for touch-only, 10 ft length | \$105.00 |

Primary Component Parts

| Part # | Description | Price |
|-----------------------|---|------------|
| Displays | | |
| 163400 | 7 in 500 NIT display | \$350.00 |
| 163399 | 7 in 1,000 NIT display | \$450.00 |
| 182992 | 12 in 1,500 NIT display | \$995.00 |
| Boards | | |
| 179992 | CPU board assembly includes face plate and fan plate | \$1,100.00 |
| 199157 | Controller box, CPU, power supply, backplane | \$1,500.00 |
| Power Supplies | | |
| 202512 | AC power supply board | \$180.00 |
| 202514 | DC power supply board | \$180.00 |
| Overlays | | |
| 164121 | Keypad, for panel & wall mount | \$75.00 |
| 164120 | Touchscreen, for panel & wall mount | \$130.00 |
| 161731 | Keypad, for universal | \$75.00 |
| 161730 | Touchscreen, for universal | \$145.00 |
| 178498 | Touchscreen, for 7 in touch-only panel mount | \$295.00 |
| 176126 | Touchscreen, for 12 in touch-only panel mount | \$400.00 |
| 178161 | Clear protective overlay display for 7 in display (pack of 5) | \$63.00 |
| 178163 | Clear protective overlay keypad for 7 in display (pack of 5) | \$63.00 |

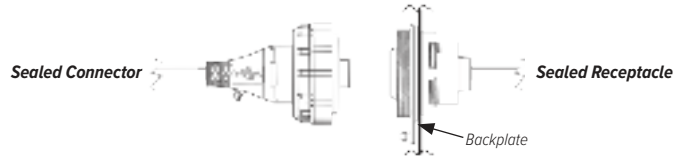
Cables and Receptacles

To have your option factory installed, please specify when placing your order.

| Part # | Connector Type | Length | Price |
|--|--|--------|----------|
| USB Cables (Connector is a male plug) | | | |
| 79074 | A UNSEALED B UNSEALED | 2 m | \$35.00 |
| 124700 | A SEALED B SEALED | 3 m | \$125.00 |
| 126477 | A SEALED A UNSEALED | 3 m | \$545.00 |
| 124701 | A SEALED B UNSEALED | 3 m | \$745.00 |
| 124702 | B SEALED A UNSEALED | 3 m | \$675.00 |
| 152434 | A UNSEALED Micro A UNSEALED | 2 m | \$55.00 |
| USB Receptacles (Receptacle is a socket) | | | |
| 176790 Panel Mount | A SEALED A UNSEALED | 0.75 m | \$105.00 |
| 126476 Wall Mount | A SEALED A UNSEALED | 0.5 m | \$125.00 |
| 172735 Universal | A SEALED A UNSEALED | 0.25 m | \$90.00 |
| Ethernet Cables | | | |
| 72697 | RJ-45 UNSEALED RJ-45 UNSEALED | 2 m | \$40.00 |
| 124706 | RJ-45 SEALED RJ-45 SEALED | 3 m | \$625.00 |
| 124707 | RJ-45 SEALED RJ-45 UNSEALED | 2 m | \$125.00 |
| Ethernet Receptacles (Receptacle is a socket) | | | |
| 176789 | RJ-45 SEALED | 0.75 m | \$145.00 |
| 172734 | RJ-45 SEALED | 0.5 m | \$90.00 |
| 126353 | RJ-45 SEALED | 0.25 m | \$125.00 |
| Cable and Receptacle Accessories | | | |
| 124694 | Cover for sealed receptacles | | \$25.00 |
| 124689 | Cover for flash driver mounts on sealed receptacle | | \$45.00 |

INDICATORS / CONTROLLERS

Unsealed Connectors



Relays and Racks

Input/Output Components



PN 45408
(6.10 × 1.20in)



PN 33206
(10.00 × 3.25 × 2.32in)



PN 33205
(7.50 × 6.25 × 2.32in)

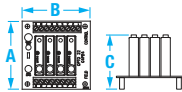


PN 15973
(3.25 × 3.25 × 2.32in)

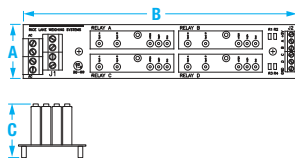
INDICATORS /
CONTROLLERS

Relay Racks

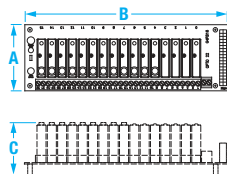
| OPTO 22 4-Channel | | |
|--------------------|-------------------------|--------------------|
| 15973 | Four-channel relay rack | \$125.00 |
| Dimensions | | |
| A | B | C |
| 3.25 in (83 mm) | 3.25 in (83 mm) | 2.32 in (59 mm) |



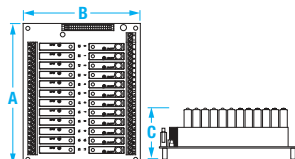
| OPTO 22 4-Channel | | |
|--------------------|----------------------------------|--------------------|
| 45408 | Four-channel relay rack (non UL) | \$160.00 |
| Dimensions | | |
| A | B | C |
| 1.20 in (30 mm) | 6.11 in (155 mm) | 2.32 in (59 mm) |



| OPTO 22 16-Channel | | |
|--------------------|--|--------------------|
| 33206 | 16-channel relay rack, ribbon cable connection | \$395.00 |
| Dimensions | | |
| A | B | C |
| 3.25 in (83 mm) | 10.0 in (254 mm) | 2.32 in (59 mm) |



| OPTO 22 24-Channel | | |
|--------------------|--|--------------------|
| 33205 | 24-channel relay rack, ribbon cable connection | \$372.00 |
| Dimensions | | |
| A | B | C |
| 7.50 in (83 mm) | 6.25 in (83 mm) | 2.32 in (59 mm) |



Part Number/Price

| Part # | Description | Price |
|------------------------|---|----------|
| Input/Output Component | | |
| 43942 | Allen-Bradley® multi-function relay with digital display | \$575.00 |
| 29616 | Dayton multi-function relay | \$325.00 |
| Other Relays | | |
| 15952 | Eight-pin octal relay, AC/DC output, 10 A, 120 VAC coil | \$57.00 |
| 15960 | Eight-pin octal relay, AC/DC output, 10 A, 6 VDC coil | \$30.00 |
| 15961 | Eight-pin octal socket | \$21.00 |
| 70780 | Cable, 50-pin flat ribbon for digital I/O, 24 in | \$95.00 |
| 70779 | Cable, 50-pin round ribbon for digital I/O with cord grip, 60 in | \$195.00 |
| 72442 | Cable, 50-pin round ribbon for digital I/O without cord grip, 60 in | \$195.00 |
| 93577 | Cable, 50-Pin flat ribbon for digital I/O, 31 in | \$75.00 |
| 94384 | Cable, 50-Pin flat ribbon for digital I/O, 50 in | \$95.00 |

Relays

| Part # | Voltage | Description | Price |
|--------------------------------------|--|----------------------------------|----------|
| OPTO 22 1-Channel Input Relay | | | |
| 15972 | 90 to 140 VAC | G4IAC5-L (N/O), yellow | \$50.00 |
| 36631 | 180 to 280 VAC/VDC | G4IAC5A (N/O), yellow | \$52.00 |
| 15969 | 10 to 32 VDC | G4IDC5 (N/O), white | \$50.00 |
| OPTO 22 2-Channel Output Relay | | | |
| 15971 | 115 VAC | G4OAC5 (N/O), black | \$50.00 |
| 22847 | 115/230 VAC | G4OAC5A5 (N/C), black | \$67.00 |
| 36632 | 115/230 VAC | G4OAC5A (N/O), black | \$52.00 |
| 15970 | 100 VDC | G4ODC5R, (N/O) dry contact, red | \$50.00 |
| 121345 | 60 VDC | G4ODC5, (N/O), red | \$50.00 |
| 22848 | 100 VDC | G4ODC5R5, (N/C) dry contact, red | \$77.00 |
| Relay Boards Fixed Dry Contact Relay | | | |
| 30549 | 2-channel 120 to 240 VAC or 30 VDC/5 A | | \$175.00 |
| 15959 | 4-channel 120 to 240 VAC or 30 VDC/5 A | | \$305.00 |
| 29615 | Board, relay mounting 1-channel (requires DIN rail for mounting (non UL) | | \$105.00 |
| 33207 | Board, relay mounting 8-channel | | \$200.00 |

Miscellaneous Parts

| Part # | Description | Price |
|------------------------|---|----------|
| Cables for Digital I/O | | |
| 70780 | 50-pin flat ribbon, 24 in | \$95.00 |
| 93577 | 50-pin flat ribbon, 31 in | \$75.00 |
| 94384 | 50-pin flat ribbon, 50 in | \$95.00 |
| 70779 | 50-pin round ribbon with cord grip, 60 in | \$195.00 |
| 72442 | 50-pin round ribbon without cord grip, 60 in | \$195.00 |
| 170008 | 60-pin flat ribbon with 50-pin adapter, 24 in | \$130.00 |
| 170009 | 60-pin round with 50-pin adapter, 60 in | \$155.00 |
| 170736 | 60-pin round with 50-pin adapter and cord grip, 60 in | \$155.00 |
| Opto 22 Misc. | | |
| 26834 | Fuse, 1A 250V (for PN 15970 and PN 22848) | \$7.50 |
| 21735 | Fuse, 4A 250V (for PN 15971, PN 22847 and PN 36632) | \$26.00 |
| 16478 | Quencharc arc suppressor | \$11.00 |
| 101923 | FRP enclosure with Opto four-channel rack | \$495.00 |
| 99032 | Adapter plate, for four-channel Opto rack 33490 | \$5.25 |
| 155253 | Board assembly, DWM IV, eight-channel, Opto 22 G4 series compatible, (non UL) | \$245.00 |



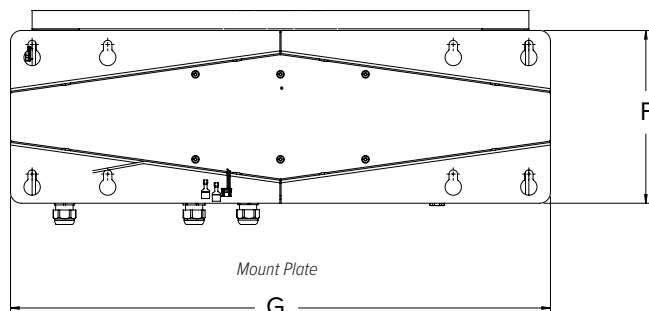
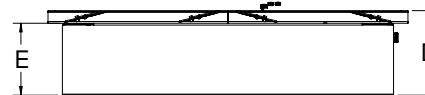
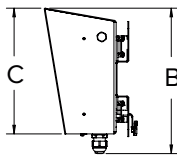
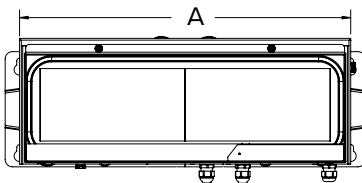
Approvals



Measurement
Canada
Approved

Dimensions

| LaserLight3 | | | |
|-------------|-------------------|---|-------------------|
| A | 23.00 in (584 mm) | E | 5.00 in (127 mm) |
| B | 10.10 in (256 mm) | F | 8.00 in (203 mm) |
| C | 8.73 in (222 mm) | G | 25.02 in (636 mm) |
| D | 5.87 in (149 mm) | | |



Standard Features

- Color display
- Displays six high-intensity digits up to 5 in height
- Adjustable daylight/night intensity
- Mirror mode (reverse image) function
- Durable weather tight enclosure with flip-down door
- Flat-wall mounted or add VESA or offset mount

Options

- Wireless LAN, Wi-Fi interface 802.11 a/b
- Wireless interface, pair of ConnexLink™ radios and mount
- Pole mount kit, VESA flat wall for 2 to 6 inch pole (W × H) 200 × 100 mm, 6 fasteners (M4 × 8 mm)
- Sunshade visor, 8-inch painted steel

Specifications

Power:

AC voltages: 100 to 240 VAC; 50/60 Hz
120 watt (120 VAC)

Output Interface:

Ethernet TCP/IP, independently configurable
echo port

Input Data Format:

Baud rate: 1200, 2400, 4800, 9600, 19200, 38400,
57600 and 115200 self-learning or configurable

Update:

Continuous or out-of-motion modes
Message interrupt mode

Digital I/O:

Four I/O read or set
5 V logic

Communication Ports:

Ethernet TCP/IP, RS-232, RS-485, 20 mA

Character Format:

7 or 8 data bits; even, odd, or no parity;
1 or 2 stop bits

Maximum Viewing Distance:

4-inch character 100 ft (30 m)
5-inch character: 150 ft (46 m)

Viewing Angle:

160°

Display:

Bright, outdoor color LED lamps
128 × 32 pixel, 4 mm pitch
Decimal or comma indication
Weight display with units and mode
Message display 1, 2 or 4 lines

Keys/Buttons:

Zero, Gross/Net, Tare, Units, Print, Menu

Time:

Software enable, 12 or 24 hour format

Date:

Software enable, US or ISO format

Temperature:

Operating:
-40 °F to 120 °F (-40 °C to 49 °C)

Rating/Material:

IP66
Mild steel, powder-coated

Weight:

20 lb (9 kg)

Warranty:

Two-year limited

Approvals:

NTEP 22-096
Measurement Canada AM-6210C

LaserLight3™

Color Large-Display Weight Indicator

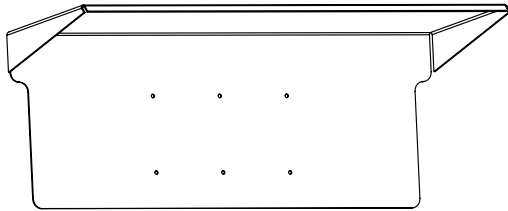
Part Number/Price

| Part # | Description | Est. Weight | Price |
|--------|--|-------------|------------|
| 205780 | LaserLight3 large-display weight indicator | 20lb | \$2,495.00 |

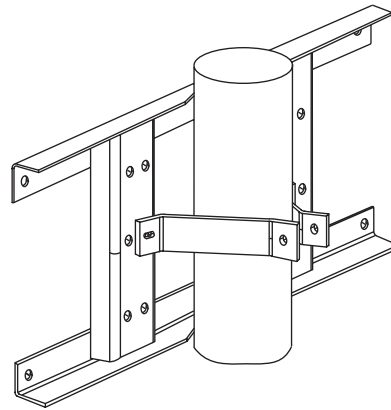
Options/Accessories

| Part # | Description | Price |
|--------|--|----------|
| 212745 | Pole mount kit, VESA flat-wall, 200 mm W x 100 mm H, 6 fasteners (M4 x 8 mm) for 2-6 inch pole | \$100.00 |
| 75856 | Pole mount kit, 4-in flange style (24-in wide frame use with 4-8 in dia. pole) | \$280.00 |
| 208807 | Sunshade, 8-in | \$135.00 |
| 209118 | Wireless LAN, RS-232/Wi-Fi interface 802.11 a/b XPico module | \$250.00 |
| 212753 | Wireless interface, pair of ConnexLink radios transceiver kit and mount | \$835.00 |

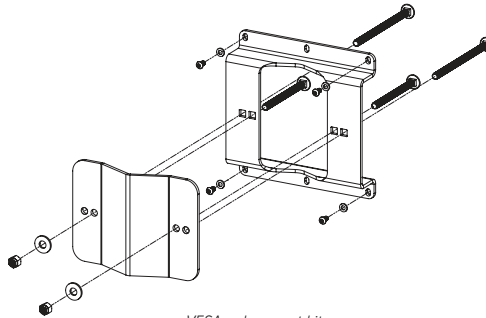
INDICATORS /
CONTROLLERS



Sunshade
PN 208807



Flange pole mount kit
PN 75856



VESA pole mount kit
PN 212745

LaserLT-60 and LaserLT-100

Large-Display Digital Weight Indicators



Standard Features

- LED Display
- Integrated five-key waterproof keypad
- Includes removable back wall mount bracket
- Up to four independent scales or four load cell inputs
- Quick menu for real and theoretical calibration
- Up to three calibration linearization points
- Semi-automatic and presettable tare
- Two digital outputs for 13 setpoint types with timers to enable on and delay period
- Two digital inputs for operating keys remotely

Specifications

Power:

AC voltages: 100 to 240 VAC
DC voltages: 12 to 24 VDC

Excitation Voltage:

5 VDC, 120 mA, 16 × 350 ohm

Analog Signal Input Range:

± 39 mV

Analog Signal Sensitivity:

0.03 µV/graduation minimum
0.3 µV/graduation recommended

A/D Sample Rate:

Four channel A/D up to 200 Conv./sec. auto select

Resolution:

Internal: 1,500,000 counts
Display: 800,000

Digital I/O:

Two inputs: 12/24 VDC
Two outputs: 150 mA 48 VAC/150 mA 60 VDC

Communication Ports:

(1) RS-232, (1) RS-485

Display:

6-digit, 7-segment discrete red LED lamps, single width 2.4 in (60 mm) or 4 in (100 mm) digit
Decimal/comma indication in any position
Annunciators for NT, Stability, COZ
5 levels of intensity

Maximum Viewing Distance:

LaserLT-60: 2.4 in digit 75 ft (25 m)
LaserLT-100: 4 in digit 100 ft (30 m)

Keys/Buttons:

Five key, Zero (Down), Tare (Up), Mode (Right), Print (Enter), C (On/Off)

Temperature:

-40° F to 120° F (-40° C to 49° C)

Rating/Material:

304 stainless steel, IP68

Weight:

10 lb (4.5 kg)

Warranty:

One-year limited

Approvals:

NTEP CC 20-046 III/IIIL 10,000 d
Measurement Canada AM-6165C III/IIIL 10,000 d
CE Marked

Approvals



Measurement
Canada
Approved



Part Number/Price

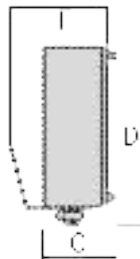
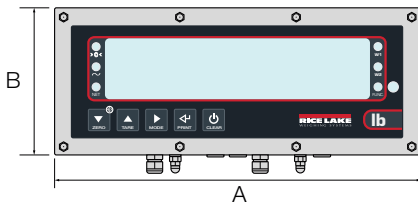
| Part # | Description | Price |
|--------|--|------------|
| 197453 | LaserLT-60, indicator with weighing functionality 2.4 in (60 mm) LED | \$1,380.00 |
| 197454 | LaserLT-100, indicator with weighing functionality 4.0 in (100 mm) LED | \$1,765.00 |

Options/Accessories

| Part # | Description | Price |
|--------|--|----------|
| 185256 | Mount bracket, 2 tilting side brackets for LaserLT-100 | \$65.00 |
| 185258 | Visor for LaserLT-100 | \$165.00 |

Dimensions

| Large Display Digital Weight Indicator | | | |
|--|-------------------|---|------------------|
| LaserLT-60 | | | |
| A | 16.14 in (410 mm) | D | 7.28 in (185 mm) |
| B | 6.50 in (165 mm) | E | 2.64 in (67 mm) |
| C | 3.03 in (77 mm) | F | 4.84 in (123 mm) |
| LaserLT-100 | | | |
| A | 16.93 in (430 mm) | D | 7.63 in (194 mm) |
| B | 7.28 in (185 mm) | E | 2.52 in (64 mm) |
| C | 2.52 in (64 mm) | F | 3.98 in (101 mm) |



INDICATORS / CONTROLLERS

1280 Enterprise™ Series User Programs



- Pre-programmed applications are built in or available as free downloads from www.ricelake.com/1280
- Applications are designed to carry out process-specific weighing tasks
- Utilize Rice Lake's iRite™ programming language to fully customize any application beyond existing functionality
- For use with all models of 1280 Enterprise Series (hardware requirements may apply)



Axle Weighing Program

1280 with custom programming interfaced with a short- or long-axle scale can direct each axle across the scale using traffic lights (optional).

- Short- or long-axle
- Auto or manual weight types
- Weigh-out ticket format
- Weigh ticket with individual axle weight and total
- Inbound and transaction storage

Optional

- Remote print input
- Manual weighing short axle, long axle weigh-in and -out with axles

Suggested Hardware:

- PN 171427 1280 single channel A/D
- PN 81076 Epson TM-U220
- PN 101923 FRP box with 4-channel rack OPT022 (relays not included)
- PN 23146 traffic light kit
- PN 15971 AC output relays for above (2 needed)
- PN 167093 LaserLight2 Stop/Go remote display



Truck In/Out Program

Truck In/Out programs offer advanced reporting through customer or truck reports including transaction database storage.

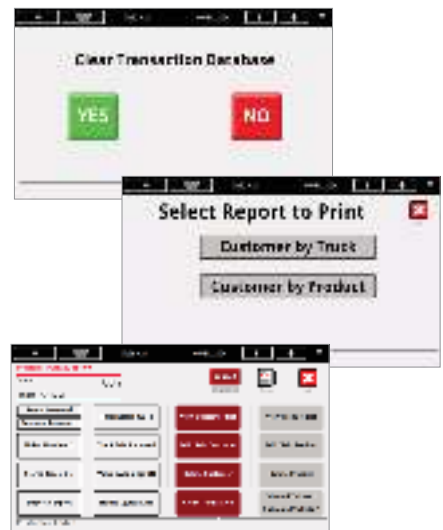
- Value swapping (on/off)
- Stored empty truck (tare) weights on/off
- Printed inbound/outbound tickets
- Customer reports by product or truck
- Tag, inbound, product, customer and transaction database storage

Optional

- Manual toggle of lights

Suggested Hardware:

- PN 171427 1280 single channel A/D
- PN 220027 1280 dual channel A/D for 3-scale
- PN 108425 iQUBE2 4-channel (additional 4-channel iQUBE2 board PN 108433)
- PN 81076 Epson TM-U220 ticket printer
- PN 23113 Epson TM-U295 ticket printer
- PN 167093 LaserLight2 Stop/Go remote display



1280 Enterprise™ Series User Programs



Static Checkweigher Program

Application for static checkweigher with a stored low and high weight associated with an ID. A digital output will be activated based on configuration parameters: over, under or accept. Stores the ID, weight, status and time/date in a database.

- Stored IDs with high/low weight
- Transaction storage
- Digital I/O for Over/Under/Accept values
- Ticket formatting
- Compatible with WeighVault

Suggested Hardware:

- PN 171427 single channel 1280 universal
- PN 81076 TM-U220D tape printer (sold separately, PN 15547 25-Pin communication cable)
- PN 225024 scanner kit QD2590
- PN 125546 WeighVault for CW90-90X and 1280

Password Protected Access to Setup



Background Color Changes with Thresholds



Counting Program

Ideal for piece counting and packaging applications, configuration for two scales. System only supports PRIMARY units.

- Supports two (2) scales, sampling and counting
- Part database
- Transaction storage
- Ticket formatting
- Compatible with WeighVault

Suggested Hardware:

- PN 171662 1280 dual channel A/D card
- PN 81076 TM-U220D tape printer (sold separately, PN 15547 25-Pin communication cable)
- PN 125546 WeighVault for Counterpart and 1280



Configuration Menu Includes View of Weight Value



Filling/Dosing Program

Application for gross or net container filling, including auto-fill and discharge settings for single-scale systems.

- Auto fill, auto discharge
- Single scale
- Transaction storage
- Start/E-stop digital I/O
- Container-in-place input
- Fast and slow fill, complete, zero, discharge
- Print output



Suggested Hardware (Recipe and Dosing):

- PN171427 Single Channel 1280 Universal
- PN 81076 Epson TM-U220 ticket printer
- PN 23113 Epson TM-U295 ticket printer
- PN 101923 FRP Box with 4-channel rack OPT022 (relays not included)
- PN 19369 FRP Box with Start/E-Stop/Abort/Run



Recipe Program

Formula Batcher is an automated program, with up to eight ingredient setpoints.

- Single scale and digital I/O option cards
- Auto tare, begin/end and store
- Formula, ingredient and transaction storage
- Transmit fill and accumulation through serial ports
- Built-in safety interlocks
- Batch ticket and total report
- Start/E-stop, fast and slow fill, complete and discharge outputs



INDICATORS / CONTROLLERS

920i® User Programs



Standard Features

- Pre-programmed software to carry out specific weighing functions
- Utilize Rice Lake's iRite™ programming language
- For use with all Rice Lake 920i models (hardware requirements may apply)
- Available pre-installed with purchase of new equipment, or via iRev™ for installation on existing 920i models
- Fully customizable

INDICATORS / CONTROLLERS

Part Number/Price

| Part # | Description | Price |
|---------|---|------------|
| 153146 | Short axle weighing program | \$595.00 |
| SZ99999 | Truck in/out with report | \$73.00 |
| 77297 | Truck in/out with products/customers/trucks and reports | \$520.00 |
| 156886 | Grain program with shrink calculation | \$395.00 |
| 156959 | Dual kiosk truck in/out single scale | \$1,050.00 |

Short Axle Weighing Program

PN 153146:

920i custom program will interface to a short axle scale and direct each axle across the scale using traffic lights.

Suggested Hardware:

- PN 67527 920 single channel A/D
- PN 23113 Epson TM-U295 ticket printer
- PN 101923 FRP box with 4 channel relay rack, for traffic light control
- PN 23146 Traffic light kit
- PN 15971 AC output relays for above (2 needed)
- PN 103181 LaserLight remote display (optional)
- PN 167093 LaserLight 2 remote display (optional)



Grain Program with Shrink Calculator

PN 156886:

This custom application for the 920i supports weighing trucks of grain. Up to 200 grain types, associated divisors and accumulator can be stored. Up to 500 accounts and 1,000 trucks can be stored.

Suggested Hardware:

- PN 67527 920 single channel A/D
- PN 67600 1M memory card
- PN 23113 Epson TM-U295 ticket printer
- PN 93359 PS2 keyboard



Truck In/Out with Products/ Customers/Trucks and Reports

PN 77297:



This program supports truck in/out weighing program for manual truck transactions using Rice Lake Weighing Systems' 920i digital weight indicator. Stored IDs allow you to keep a database of truck IDs, customer, product, project information and weigh-in weights in the indicator's memory. Parameters are accessed by simply scrolling through the Supervisor main menu using the down arrow on the 920i. The 920i can automatically store up to 100 truck IDs and tare weights, 950 customers, 1,000 products and 1,000 projects.

Suggested Hardware:

- PN 67527 920 single channel A/D
- PN 67600 1MB memory card
- PN 23113 Epson TM-U295 ticket printer
- PN 93359 PS/2 keyboard



Dual Kiosk Truck In/Out Single Scale

PN 156959:



System consists of a bidirectional single platform truck scale, inbound truck kiosk and outbound truck kiosk. Inbound (if two outbound kiosks are used) and outbound tickets with transaction storage of each weighment.

Suggested Hardware:

- (2) PN 119687 Inbound/Outbound kiosk
- PN 119689 A/D kiosk option



Truck In/Out with Report

PN SZ99999:



920i program allows trucks to weigh in and out (saves inbound weight after weighing out and has value swapping) and stores the transaction after each weigh out with truck ID, gross, tare and net. Transactions may be printed or cleared at any time through the Setup menu. An HID scanner is available as a peripheral piece of hardware.

Suggested Hardware:

- PN 119687 Outbound kiosk
- PN 119689 A/D kiosk option
- PN 119743 HID kiosk option



INDICATORS / CONTROLLERS

920i® FlexWeigh Systems

Fillers/Batchers

INDICATORS /
CONTROLLERS



Manufacturer-Approved
DIRECT REPLACEMENT FOR FLEXWEIGH'S DWM-IV

Approvals



Standard Features

- Wall mount stainless steel enclosure
- Front panel switches E-Stop, Reset/Resume, Start
- Softkeys for presets, CN#, ID#, formula#, totals
- Accumulating subtotal and total registers
- Transmitted audit trail
- Digital I/O board
- Relay rack and SSR relay outputs

| Standard Switches | 101 | 102 | 103 | 104 | 201 | 202 |
|-------------------|-----|-----|-----|-----|-----|-----|
| E-Stop mushroom | X | X | X | X | X | X |
| Reset/Resume | X | X | X | X | X | X |
| Start | X | X | X | X | X | X |
| Discharge | - | X | - | - | - | X |

| Standard Outputs | 101 | 102 | 103 | 104 | 201 | 202 |
|------------------|-----|-----|-----|-----|-----|-----|
| Fast fill** | X | X | X | X | X | X |
| Slow fill*** | X | X | X | X | X | X |
| Fill complete* | OPT | OPT | X | X | OPT | OPT |
| Zero tolerance | OPT | OPT | - | - | OPT | OPT |
| Discharge | - | X | - | - | - | X |
| Refill | - | - | X | - | - | - |
| Refill complete | - | - | OPT | - | - | - |
| Slow cycle | - | - | OPT | X | - | - |

* Dispense for 103 and 104

** Fast Fill Ingredient 1 201/202

*** Fast Fill Ingredient 2 201/202

920i Flexweigh systems are designed for 120VAC line voltage. If the application requires 220VAC or DC control voltage, please consult with sales before placing an order.

101 Basic Filler

Place an empty container on the scale. Automatically fill the container to a preset weight. Remove the container from the scale. Replace it on the scale with an empty container and repeat the process.

102 Automatic Fill, Automatic Discharge

Place an empty container under the scale. Automatically fill the scale to a preset weight. Discharge the scale into the container. Remove the container from under the scale. Replace it under the scale with another empty container and repeat the process.

103 Loss-In-Weight Filler

Dispense preset net weight quantities from the scale until either low level or less-than-preset gross weight is achieved. Then refill to high level.

104 Loss-In-Weight Filler

Product supply containers are placed on the scale. Net weight quantities are dispensed from the containers until empty. When containers empty in the middle of a dispense cycle, the cycle is paused and allowed to resume where it left off when the empty containers are replaced on the scale with filled ones.

201 Four Ingredient Dual Speed or Eight Ingredient Single Speed Batcher

Place empty container on scale, automatically fill multiple ingredients in a sequential order to preset formula weights. Remove the container, replace with empty and repeat.

202 Four Ingredient Dual Speed or Eight Ingredient Single Speed With Discharge

Fill tank or hopper with multiple ingredients in a sequential order then empty into a vessel below.

920i® FlexWeigh Systems

Fillers/Batchers

Part Number/Price

| Part # | Description | Est. Weight | Price |
|--------|---|-------------|------------|
| 120320 | 920i FlexWeigh Systems 101 | 23 lb | \$5,045.00 |
| 199060 | 920i FlexWeigh Systems 101, includes manual/auto and jog switches | 23 lb | \$5,395.00 |
| 120321 | 920i FlexWeigh Systems 102 | 23 lb | \$5,295.00 |
| 199061 | 920i FlexWeigh Systems 102, includes manual/auto and jog switches | 23 lb | \$5,645.00 |
| 120322 | 920i FlexWeigh Systems 103 | 23 lb | \$5,245.00 |
| 120323 | 920i FlexWeigh Systems 104 | 23 lb | \$5,045.00 |
| 207904 | 920i FlexWeigh Systems 201 | 23 lb | \$5,295.00 |
| 207905 | 920i FlexWeigh Systems 202 | 23 lb | \$5,495.00 |

Options/Accessories

| Part # | Description | Price |
|--------|---------------------------------------|---------|
| 120491 | 920i FlexWeigh Systems 101 manual | \$25.00 |
| 120493 | 920i FlexWeigh Systems 102 manual | \$25.00 |
| 124473 | 920i FlexWeigh Systems 103 manual | \$25.00 |
| 120496 | 920i FlexWeigh Systems 104 manual | \$25.00 |
| 152146 | 920i FlexWeigh Systems 201/202 manual | \$25.00 |

To have your option factory installed, please specify when placing your order.

Optional Switches (Installed Price: \$150.00)

| | Switch Part # | Legend Part # | 101 | 102 | 103, 104 | 201 | 202 |
|------------------------------|---------------|---------------|-----|-----|----------|-----|-----|
| Selector 3 position | 94296 | | | | | | |
| Manual/ Off/ Auto | | 121035 | X | X | X | X | X |
| Manual Ingredient Select | | | | | | X | X |
| Push-button | 94276 | | | | | | |
| Fill | | 121036 | X | X | | X | X |
| Discharge | | 121037 | | X | | | X |
| Dispense | | 121038 | | | X | | |
| Refill | | 121039 | | | X | | |
| Maintained/Off/Spring Return | 94299 | | | | | | |
| Fill On/-/Jog | | 121040 | X | X | | X | X |
| Fill Fast/-/Slow | | 121041 | X | X | | X | X |
| Discharge On/-/Jog | | 121043 | | X | | | X |
| Discharge Fast/-/Slow | | 121044 | | X | | | X |
| Dispense On/-/Jog | | 121046 | | | X | | |
| Dispense Fast/-/Slow | | 121048 | | | X | | |
| Refill On/-/Jog | | 121049 | | | X | | |
| Manual Feed | | — | | | | X | X |

Optional Front Panel Lights (Installed Price: \$150.00)

| | Lamp | Legend | 101, 102 | 103 | 104 | 201 | 202 |
|---------------------|-------------|--------|----------|-----|-----|-----|-----|
| Ready | 94289 Green | 121051 | X | | | X | X |
| Fill Complete | 94290 Red | 121052 | X | | | X | X |
| Filling | 98760 Amber | 121053 | X | | | | |
| Filling Fast | 98760 Amber | 121054 | X | | | | |
| Filling Slow | 98760 Amber | 121055 | X | | | | |
| Discharging | 94292 Blue | 121056 | X | | | X | X |
| Discharging Fast | 94292 Blue | 121057 | X | | | | |
| Discharging Slow | 94292 Blue | 121058 | X | | | | |
| Dispensing | 98760 Amber | 121059 | | X | X | | |
| Dispensing Fast | 98760 Amber | 121060 | | X | X | | |
| Dispensing Slow | 98760 Amber | 121061 | | X | X | | |
| Dispensing Complete | 94290 Red | 121062 | | X | X | | |
| Refilling | 94292 Blue | 121063 | | X | | | |
| Refill Complete | 94290 Red | 121064 | | X | | | |
| Low Supply | 94290 Red | 121065 | | X | | | |
| Fill Time Alarm | 94290 Red | 121066 | | X | X | | |
| Feeding (1-4) | 98760 Amber | — | | | | X | X |
| Slow Cycle | 94290 Red | — | X | X | X | | |

INDICATORS / CONTROLLERS

920i® FlexWeigh Systems

Bulkweighers and Flip Flop Fillers

INDICATORS /
CONTROLLERS



Approvals



Available with models 107, 108 and 109

Manufacturer-Approved
DIRECT REPLACEMENT FOR FLEXWEIGH'S DWM-IV

Standard Features

- Wall mount stainless steel enclosure
- Application program 107, 108, 109
- Front panel switches E-Stop, Start/Resume, End Cycle, Ship/Recv (only 109)
- Softkeys for presets, ID1 and ID2
- Accumulating weight streaming
- Fill and discharge sequence controls
- Fill and discharge gate monitoring
- Printer online checking
- Weigh and surge hopper overflow monitoring
- Transmitted audit trail
- Digital I/O board
- Relay rack and SSR relay outputs

Options

- Pilot lights for error indication
- Manual override switches

| Standard Switches | 107 | 108 | 109 |
|-------------------|-----|-----|-----|
| E-Stop mushroom | X | X | X |
| Start/Resume | X | X | X |
| End cycle | X | X | X |
| Ship/Recv | - | - | X |

| Standard Inputs | 107 | 108 | 109 |
|-----------------------|-----|-----|-----|
| Fill gate closed | X | X | X |
| Discharge gate closed | X | X | X |
| Surge hopper not full | X | X | X |
| Weigh hopper not full | X | X | X |
| Printer online | X | X | X |

| Standard Outputs | 107 | 108 | 109 |
|-----------------------|-----|-----|-----|
| Slow cycle alarm | OPT | OPT | OPT |
| Gate alarm | OPT | OPT | OPT |
| Scale over fill alarm | OPT | OPT | OPT |
| Lower surge alarm | OPT | OPT | OPT |
| Printer alarm | OPT | OPT | OPT |
| Open fill gate | X | X | X |
| Open discharge gate | X | X | X |

Part Number/Price

| Part # | Description | Est. Weight | Price |
|--------|----------------------------|-------------|------------|
| 207906 | 920i FlexWeigh Systems 107 | 23 lb | \$6,795.00 |
| 207907 | 920i FlexWeigh Systems 108 | 23 lb | \$6,795.00 |
| 207908 | 920i FlexWeigh Systems 109 | 23 lb | \$7,145.00 |
| 207909 | 920i FlexWeigh Systems 111 | 23 lb | \$6,445.00 |
| 207910 | 920i FlexWeigh Systems 112 | 23 lb | \$6,845.00 |

107 Shipping Bulkweigher

The 920i FlexWeigh 107 is designed for basic shipping-mode bulkweighing applications. In shipping mode, a scale is loaded and discharged repetitively until the accumulated weight meets the overall target value.

108 Receiving Bulkweigher

The 920i FlexWeigh 108 is designed for basic receiving mode bulkweighing applications. In receiving mode, a scale is loaded and discharged until there is no more product to receive. To end the cycle, the End Cycle button is pressed.

109 Ship/Receive Bulkweigher

The 920i FlexWeigh 109 allows the user to select which mode of operation to use. This is done with a three-position locking key switch.

111 Flip Flop Filler

The 920i FlexWeigh 111 is designed for filling two scales to a target weight in sequential "flip-flop" fashion. As one scale is filled, operators can prep the second scale, e.g., moving a container into place.

112 Flip Flop Filler with Discharge

The 920i FlexWeigh 112 is designed for filling two scales to a target weight in sequential "flip-flop" fashion. As one scale is filled, the second scale is discharged via independent or manual methods.

Options/Accessories

| Part # | Description | Price |
|--------|---|---------|
| 151848 | 920i FlexWeigh Systems 107/108/109 manual | \$25.00 |

To have your option factory installed, please specify when placing your order.

Optional Switches

Installed Price: \$150.00

| Type | 107 | 108 | 109 |
|--------------------|-----|-----|-----|
| Manual/Off/Auto | X | X | X |
| Man Fill On/-/Jog | | X | X |
| Man Disch On/-/Jog | | X | X |

920i® FlexWeigh Systems

Flow Rate Controllers



Standard Features

- Wall mount stainless steel enclosure
- Application program 105, 106
- Front panel switches E-Stop, Reset/Resume, Start
- Softkeys for presets, CN#, ID#, formula#, totals
- Accumulating subtotal and total registers
- Transmitted audit trail
- Digital I/O board
- Relay rack and SSR relay outputs

105 Basic Flow-Rate Controller

Dispense preset net weight quantities at preset flow rate values.

106 Loss-In-Weight with Flow-Rate Control and Automatic Refill

Dispense preset net weigh quantities at preset flow rate values with automatic refill when gross weight drops below threshold.

Standard Switches/Outputs

| Standard Switches | 105 | 106 |
|-------------------|-----|-----|
| E-Stop mushroom | X | X |
| Reset/Resume | X | X |
| Start | X | X |

| Outputs | 105 | 106 |
|-----------------|-----|-----|
| Fast fill | X | - |
| Slow fill | X | - |
| Fill complete* | X | - |
| Zero tolerance | Opt | - |
| Discharge | X | X |
| Refill | - | X |
| Refill complete | - | Opt |
| Slow cycle | Opt | Opt |

* Dispense for 105 and 106

Approvals



Manufacturer-Approved
DIRECT REPLACEMENT FOR FLEXWEIGH'S DWM-IV

Part Number/Price

| Part # | Description | Est. Weight | Price |
|---------|----------------------------|-------------|------------|
| Consult | 920i FlexWeigh Systems 105 | 23 lb | \$4,850.00 |
| Consult | 920i FlexWeigh Systems 106 | 23 lb | \$4,850.00 |

Accessories

| Part # | Description | Price |
|---------|-----------------------------------|---------|
| Consult | 920i FlexWeigh Systems 105 manual | \$73.00 |
| Consult | 920i FlexWeigh Systems 106 manual | \$73.00 |

INDICATORS /
CONTROLLERS

920i® FlexWeigh Systems

Hand Batching



Standard Features

- Stainless deep universal mount enclosure
- Softkeys for presets ID#; formulas; accumulating, subtotal and total registers
- Switch for manual confirmation
- 20 ingredient database
- 100 formula database
- Audit trail data output
- Ingredient usage totals

211 Manual Batching System

Prompts the user through manual weight additions based on a pre-entered formula

Manufacturer-Approved
DIRECT REPLACEMENT FOR FLEXWEIGH'S DWM-IV

Approvals



Part Number/Price

| Part # | Description | Est. Weight | Price |
|--------|----------------------------|-------------|------------|
| 207927 | 920i Flexweigh Systems 211 | 13 lb | \$3,945.00 |

MSI-8000HD

Digital Weight Indicator/Remote Display



INDICATORS /
CONTROLLERS

Approvals



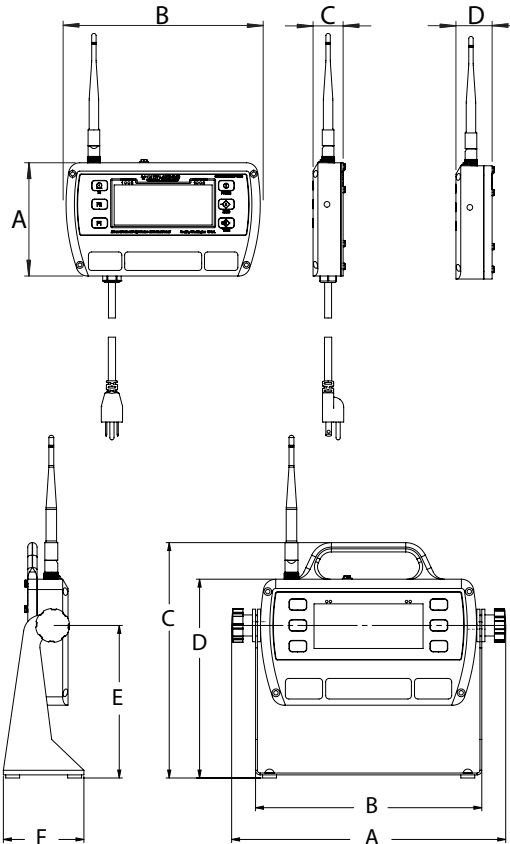
Standard Features

- Compatible with all ScaleCore™ based products
- LCD display
- Time and date
- Membrane keypad for remote-control functionality
- User-definable function keys for added versatility
- Swivel tilt stand

Dimensions

| MSI-8000HD | |
|------------|------------------|
| A | 5.09 in (129 mm) |
| B | 8.98 in (228 mm) |
| C | 1.35 in (34 mm) |
| D | 1.63 in (41 mm) |

| With Tilt Stand | |
|-----------------|-------------------|
| A | 11.06 in (281 mm) |
| B | 9.13 in (232 mm) |
| C | 9.50 in (241 mm) |
| D | 8.02 in (204 mm) |
| E | 6.16 in (156 mm) |
| F | 3.25 in (83 mm) |



Options

(Contact MSI for application consultation)

- 18 to 72 VDC power
- Up to 8 configurable relay outputs
- Wi-Fi communications
- Wi-Fi indicators
- 802.15.4 Serial RF
- FHSS
- Wired Ethernet

Specifications

Power:

90 to 267 VAC, 9 to 36 VDC, 18 to 72 VDC,
120 to 300 VDC
Optional battery power module available

Excitation Voltage:

4.8 V current limited and over-voltage protected

RF Remote Channels:

Up to four remote sensors, monitored individually,
in pairs or sum all (non-A/D version only)

Service Counters:

A/D version only

A/D Inputs:

Two independent or summing load cell inputs

Filtering:

Off, Low, Hi-1, Hi-2

RF Radio Link:

2.4 GHz 802.15.4

Compatible with all ScaleCore™ based products
including: MSI-7300 Dyna-Link 2, MSI-3460
Challenger 3, MSI-4260 Port-A-Weigh, MSI-7000
and MSI-7001

RF Effective Range:

Typically 100 to 300 ft, line of sight;
for longer range consult factory

Communication Ports:

Dual RS-232 communication ports

Annunciators:

stable, COZ, peak, kg, kN, lb, M, ton, setpoint,
function LEDs
Channels: 1, 2, 3, 4, TTL

Display:

Six-digit 1.0 in (26.4 mm) LCD

Units Displayed:

Pounds, kilograms, tons, metric tons, kilonewtons

Keys/Buttons:

On/Off, zero (100%), tare, print, and Two
user-defined keys for the following functions:
peak hold, high resolution, total, view total,
net/gross, units switching

Rating/Material:

Enclosure: NEMA Type 4, IP68 milled anodized
aluminum with O-ring gaskets

Temperature:

Certified: 14 °F to 104 °F (-10 °C to 40 °C)
Operating: -4 °F to 140 °F (-20 °C to 60 °C)

Warranty:

One-year limited

Approvals:

NTEP 15-110

MSI-8000HD

Digital Weight Indicator/Remote Display

Part Number/Price

| Part # | Description | Est. Weight | Price |
|--------|---|---------------|------------|
| 153591 | MSI-8000HD ScaleCore RF/Remote Display/85 to 265 VAC | 5 lb (2.5 kg) | \$1,625.00 |
| 154853 | MSI-8000HD ScaleCore RF/Remote Display/Internal Battery | 5 lb (2.5 kg) | \$1,775.00 |
| 160476 | MSI-8000HD ScaleCore RF/Remote Display/7 to 36 VDC | 5 lb (2.5 kg) | \$1,575.00 |
| 159376 | MSI-8000HD ScaleCore RF/Remote Display/9 to 36 VDC | 5 lb (2.5 kg) | \$1,600.00 |
| 158427 | MSI-8000HD Indicator/2 A/D Inputs/85 to 265 VAC (non RF) | 5 lb (2.5 kg) | \$1,975.00 |
| 158428 | MSI-8000HD Indicator/2 A/D Inputs/Internal Battery (non RF) | 5 lb (2.5 kg) | \$2,100.00 |
| 160478 | MSI-8000HD Indicator/2 A/D Inputs/7 to 36 VDC (non RF) | 5 lb (2.5 kg) | \$1,775.00 |
| 159380 | MSI-8000HD Indicator/2 A/D Inputs/9 to 36 VDC (non RF) | 5 lb (2.5 kg) | \$1,800.00 |
| 158425 | MSI-8000HD RF Indicator/2 A/D Inputs/85 to 265 VAC | 5 lb (2.5 kg) | \$2,000.00 |
| 158426 | MSI-8000HD RF Indicator/2 A/D Inputs/Internal Battery | 5 lb (2.5 kg) | \$2,175.00 |
| 160477 | MSI-8000HD RF Indicator/2 A/D Inputs/7 to 36 VDC | 5 lb (2.5 kg) | \$2,000.00 |
| 159378 | MSI-8000HD RF Indicator/2 A/D Inputs/9 to 36 VDC | 5 lb (2.5 kg) | \$2,025.00 |

Options/Accessories

| Part # | Description | Price |
|---------------|--|----------|
| 155173 | MSI-8000HD spare tilt stand option kit | \$94.00 |
| 155193 | MSI-8000HD Ethernet TCP/IP option kit wired | \$450.00 |
| 162178 | Antenna extension kit, 6 ft | \$510.00 |
| 148624 | MSI-8000HD serial RS-232 cable | \$140.00 |
| 158779 | MSI-8000HD two each coil relay option kit, 250 VAC/30 VDC 5 A or 100 VDC 0.4 A | \$390.00 |
| 158780 | MSI-8000HD two each solid state relay option kit, 60 Vpk 2.7 A | \$390.00 |
| 158781 | MSI-8000HD two each solid state relay option kit, 200 Vpk 0.9 A | \$390.00 |
| 149549 | Universal 115/230 VAC 50/60 Hz (NA plug standard) battery charger for MSI-8000HD battery powered device | \$175.00 |
| 149550 | Universal 115/230 VAC 50/60 Hz (international plugs) battery charger for MSI-8000HD battery powered device | \$170.00 |
| 171203 | Audible alarm kit | \$390.00 |
| 176963 | Serial print cable | \$175.00 |
| Relays | | |
| 172490 | Expanded relay kit, Four-Channel, 12 A 5 V, Latching relays | Consult |
| 172492 | Expanded relay kit, Four-Channel, 12 A 5 V, Momentary relays | Consult |
| Consult | Expanded relay kit, Four-Channel, 0.9 A 200 Vpk, AC/DC Solid State relays | Consult |
| 172495 | Expanded relay kit, Eight-Channel, 12 A 5 V, Momentary relays | Consult |
| 172500 | Expanded relay option kit, Four-Channel, 3 A, 60 Vpk Solid State Form C relays | Consult |
| 172501 | Expanded relay option kit, Eight-Channel, 3 A 60 Vpk, Solid State Form C relays | Consult |
| 172502 | Expanded relay option kit, Eight-Channel, 0.9 A 200 Vpk, Solid State Form C relays | Consult |
| 171676 | Expanded relay option kit, Eight-Channel, 12 A 5 V, Latching relays | Consult |

INDICATORS /
CONTROLLERS

MSI-8004HD

Indicator/RF LED Remote Display

INDICATORS /
CONTROLLERS



Approvals



Measurement
Canada
Approved

Standard Features

- Multicolor LED display
- Backlit membrane keypad for user functioning and controls
- Tilt bracket included
- Color changing display (via setpoints)

Options

(Contact MSI for application consultation)

- Expanded relay outputs
- Battery pack for mobile operation
- Second radio module for additional network connectivity
- Remote display 8 to 32 VDC
- Remote display 5 VDC
- Remote display 9 to 36 VDC
- Indicator 8 to 32 VDC
- Wired ethernet
- Single and dual channel analog output
- Additional antenna kits
- Extended relay option kits

Part Number/Price

| Part # | Description | Price |
|-----------------------|--|------------|
| Indicator | | |
| 221177 | AC Power (85-264 VAC), Multi-color display, RF | \$2,025.00 |
| 221183 | AC Power (85-264 VAC), Multi-color display, RF, Instant power-on | \$2,000.00 |
| 221179 | DC Power (9-36 VDC), Multi-color display, RF | \$1,925.00 |
| 221181 | DC Power (5 VDC), Multi-color display, RF | \$2,225.00 |
| Remote Display | | |
| 221184 | AC Power (85-264 VAC), Multi-color display, RF | \$1,650.00 |

Specifications

Power:

90 to 267 VAC, 9 to 36 VDC, 18 to 72 VDC,
120 to 300 VDC

Excitation Voltage:

4.8 V current limited and over-voltage protected

Functions:

Peak hold, high resolution, total, view total
net/gross, units switching

Units:

Pounds and kilograms

Channels:

1, 2, 3, 4, TTL

RF Remote Channels:

Up to 4 remote sensors, monitored individually,
in pairs or sum all (non-A/D version only)
(when used with TransSend™)

Service Counters:

A/D version only

A/D Inputs:

Two independent or summing load cell inputs

Relays:

Two 5 V coil, 250 VAC, 5 A relays

Filtering:

Off, Low, Hi-1, Hi-2

RF Radio Link:

2.4 GHz 802.15.4, optional second channel
for Serial RF, 802.11 Wi-Fi

RF Effective Range:

Typically 100 to 300 ft, line of sight; for longer
range consult factory

Communication Ports

Two RS-232 hard wired communication ports

Annunciators:

Stable, COZ, BT, RF, TTL, NET, kg, lb

Display:

Six-digit, 1.5 in (38 mm) LED display with red/green/
orange coloring

Keys/Buttons:

On/Off, zero, tare, print and two user-defined keys

Temperature:

Certified: 23 °F to 104 °F (-5 °C to 40 °C)
Operating: -40 °F to 140 °F (-40 °C to 60 °C)

Rating/Material:

NEMA Type 4, IP65 milled anodized aluminum

Warranty:

One-year limited

Approvals:

NTEP 17-036
Measurement Canada AM-6068

MSI-8004HD

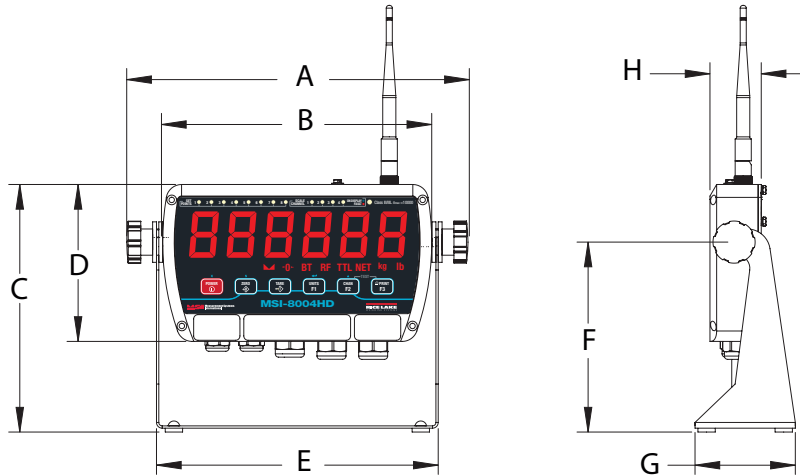
Indicator/RF LED Remote Display

Options/Accessories

| Part # | Description | Price |
|--------|--|----------|
| 162178 | Antenna extension kit, 6 ft | \$510.00 |
| 197013 | Antenna extension kit, 20 ft | \$545.00 |
| 199105 | Audible alarm not compatible with battery versions | Consult |
| 22436 | Cable assembly, DB9F to bare wires, 6 inch | \$70.00 |
| 183437 | Battery, 5V Li-ion battery with USB power ports. Output 5 V/3.0 A per port (6.0 A max)Rate, 2 A per port (4 A if both ports are used). | \$245.00 |
| 187425 | 8004 option kit, Wi-Fi with TNC connector | \$200.00 |
| 187424 | 8004 option kit, 2nd Xbee with TNC connector | \$210.00 |
| 223594 | Option Kit, Dual Analog Output, 8004HD | \$575.00 |
| 224817 | Ethernet (forward module only) | \$240.00 |

Dimensions

| MSI-8004HD | | | |
|-----------------|-------------------|---|------------------|
| With Tilt Stand | | | |
| A | 11.10 in (282 mm) | E | 9.13 in (232 mm) |
| B | 8.76 in (223 mm) | F | 6.16 in (156 mm) |
| C | 8.02 in (204 mm) | G | 3.25 in (83 mm) |
| D | 5.09 in (129 mm) | H | 1.66 in (42 mm) |



INDICATORS /
CONTROLLERS

SCT-1100

Signal Conditioning Transmitter

INDICATORS /
CONTROLLERS



SCT1100-AN with Analog Output



SCT-1100-AN in Plastic Enclosure

Approvals



Measurement
Canada
Approved



Standard Features

- Up to four independent scales or four load cell inputs
- Quick menu for real and theoretical calibration
- Red LED display
- DIN rail mountable
- Configurable calibration and setup parameters from keyboard
- Calibration using linearization points
- Reading of the net, gross and tare weights, clearing, semi-automatic and pre-settable tare, scale switch, setting of outputs application thresholds
- Diagnostic information via serial port, message display, printing, setting of APW in counting mode, digital input for key press
- Modbus RU or ASCII protocol
- Easy configuration with Rice Lake Tools software

Part Number/Price

| Part # | Description | Est. Weight | Price |
|--------|---|-------------|----------|
| 202101 | Indicator, SCT-1100-AN four load cell input with Analog Output | 1 lb | \$535.00 |
| 197011 | Indicator, SCT-1100-AN four load cell input with Analog Output in plastic enclosure | 1 lb | \$665.00 |

NOTE: PN 182588 is superseded by 202101

Options/Accessories

| Part # | Description | Est. Weight | Price |
|--------|---|-------------|----------|
| 188483 | SCT-1000 converter RS-232/485 to Ethernet TCP/IP and Modbus TCP. Does not have an A/D | 1 lb | \$400.00 |
| 88792 | 12 VDC 1.2 A DIN rail mount power supply | 1 lb | \$140.00 |
| 119244 | 24 VDC 1.3 A DIN rail mount power supply | 1 lb | \$160.00 |



SCT-1000
Serial to Ethernet converter

Specifications

- Power:**
12/24 VDC
- Power Consumption:**
70 mA min to 100 mA max
- Excitation Voltage:**
5 VDC, 120 mA, 8 × 350 ohm load cells
- Analog Signal Input Range:**
± 39 mV
- Analog Signal Sensitivity:**
0.3 µV/graduation minimum
- A/D Sample Rate:**
Four channel A/D 24-bit sigma-delta conversion, up to 200 conv./sec. auto select
- Resolution:**
Internal: 1,500,000 counts
Display: 800,000
- Digital I/O:**
Two inputs: 12/24 VDC
Two outputs: 150 mA 48 VAC/150 mA 60 VDC
- Serial Ports:**
Modbus RTU or ASCII selectable/bidirectional (both ports)
(1) RS-485 for connection to a PC or weight repeater
(1) RS-232 for connection to a PC or printer
- Analog Output (if equipped):**
Opto isolated, 16-bit
0 to 20 mA, 4 to 20 mA (Maximum 350 ohm)
0 to 5 VDC, 0 to 10 VDC (Minimum 10,000 ohm)
- Annunciators:**
Net, center of zero, stability
- Display:**
Six-digit (10 mm), red LED
- Keys/Buttons:**
Five key, membrane panel, tactile feel Zero (Down), Tare (Up), Mode (Right), Print (Enter), C (On/Off)
- Dimensions:**
(L × W × H)
4.17 × 3.54 × 2.28 in
(106 × 90 × 58 mm)
- Temperature:**
5 °F to 104 °F (-15 °C to 40 °C)
- Humidity:**
85% non-condensing
- Rating/Material:**
Enclosure: NEMA Type 4, plastic
Clear cover: six PG9 cord grips
- Warranty:**
One-year limited
- Approvals:**
NTEP 20-046
Measurement Canada AM-6165C
OIML R76/2006-A-GB1-19.17
UKCA Marked
cULus Listed



SCT2200 Pictured with optional EtherNet/IP Module

Approvals



Standard Features

- HUB mode connects up to 16 transmitters to one fieldbus
- Two RS-485 port for "daisy-chain" network connection
- Quick menu for real and theoretical calibration
- Remote access through web browser for weight monitoring and calibration over EtherNet/IP, Profinet and Modbus TCP network
- Red LED display
- DIN rail mountable
- Calibration using linearization points
- Reading of the net, gross and tare weights, clearing, semi-automatic and presettable tare setting of outputs application thresholds
- Diagnostic information via serial port, message display, printing, simulation of key pressure, Modbus RTU or ASCII protocol
- Printer management on second serial port available
- Multi-range function allows for subdividing the scale capacity in two, each up to 3,000 divisions
- Easy configuration with Rice Lake Tools software

Part Number/Price

| Part # | Description | Est. Weight | Price |
|---------------------|---|-------------|----------|
| Transmitters | | | |
| 202103 * | Indicator, SCT-2200 for scale input to be used with fieldbus module | 1 lb | \$355.00 |
| 202104 * | Indicator, SCT-2200-AN with analog output | 1 lb | \$485.00 |
| Fieldbus | | | |
| 182592 | Fieldbus, SCT-2200, Profinet module | 1 lb | \$595.00 |
| 194343 | Fieldbus, SCT-2200, Ethernet TCP/IP and Wi-Fi | 1 lb | \$595.00 |
| 182593 | Fieldbus, SCT-2200, Profibus module | 1 lb | \$395.00 |
| 182591 | Fieldbus, SCT-2200, EtherNet/IP module | 1 lb | \$595.00 |
| 182596 | Fieldbus, SCT-2200, DeviceNet module | 1 lb | \$595.00 |
| 182598 | Fieldbus, SCT-2200, EtherCAT module | 1 lb | \$590.00 |
| 182597 | Fieldbus, SCT-2200, CANopen module | 1 lb | \$590.00 |
| 196694 | Fieldbus, SCT-2200, Modbus TCP module | 1 lb | \$595.00 |
| 182599 | Cable with RJ45 plugs, 6 in length | 1 lb | \$15.00 |
| 212772 ** | Fieldbus, SCT-2200, Profibus module | 1 lb | \$395.00 |

NOTE: PN 182587 is superseded by 202103 and PN 182589 is superseded by 202104.

*How to Order the SCT-2200 for use with fieldbus module

Order 1 RJ45 cable for every Scale module connected to a Fieldbus module.

** Compatible with 682 indicator

Options/Accessories

| Part # | Description | Est. Weight | Price |
|--------|--|-------------|----------|
| 88792 | 12 VDC 1.2 A DIN rail mount power supply | 1 lb | \$140.00 |
| 119244 | 24 VDC 1.3 A DIN rail mount power supply | 1 lb | \$160.00 |

Specifications

- Power:**
12/24 VDC
- Power Consumption:**
70 mA min to 100 mA max
- Excitation Voltage:**
5 VDC, 120 mA, 8 × 350 ohm load cells
- Analog Signal Input Range:**
± 39 mV
- Analog Signal Sensitivity:**
0.3 µV/graduation minimum
- A/D Sample Rate:**
One channel A/D 24-bit sigma-delta conversion, up to 200 conv/sec. auto select
- Resolution:**
Internal: 1,500,000 counts
Display: 800,000
- Digital I/O:**
Two inputs: 12/24 VDC
Two outputs: 150 mA 48 VAC/150 mA 60 VDC
- Communication Ports:**
(1) RS-485, (1) RS-232
Analog output (if equipped):
Opt isolated, 16-bit
0-20 mA, 4-20 mA (Maximum 350 ohm)
0-5 VDC, 0-10 VDC (Minimum 10,000 ohm)
- Annunciators:**
Net, center of zero, stability
- Display:**
Six-digit 0.31 in (8 mm), red LED
- Keys/Buttons:**
Five key, tactile feel
Zero (Down), Tare (Up), Mode (Right), Print (Enter), C (On/Off)
- Dimensions:**
(L × H × D)
4.72 × 4.52 × 0.98 in
(120 × 115 × 25 mm)
- Temperature:**
Certified: 14 °F to 104 °F (-10 °C to 40 °C)
Operating: 14 °F to 122 °F (-10 °C to 50 °C)
- Humidity:**
85% non-condensing
- Rating/Material:**
NEMA Type 1 plastic pluggable connectors
- Weight:**
1 lb (0.5 kg)
- Warranty:**
One-year limited
- Approvals:**
NTEP 20-046
Measurement Canada AM-6165C
OIML R76/2006-A-GB1-19.17
UKCA Marked
cULus Listed

SCT-3300

Signal Conditioning Transmitter

INDICATORS /
CONTROLLERS



Approvals



Part Number/Price

| Part # | Description | Est. Weight | Price |
|---------------------|---|-------------|----------|
| Transmitters | | | |
| 188725 | Indicator, SCT-3300 four load cell input with Analog Output | 1 lb | \$400.00 |

Options/Accessories

| Part # | Description | Est. Weight | Price |
|--------|--|-------------|----------|
| 88792 | 12 VDC 1.2 A DIN rail mount power supply | 1 lb | \$140.00 |
| 119244 | 24 VDC 1.3 A DIN rail mount power supply | 1 lb | \$160.00 |

Standard Features

- Powers up to six (350 ohm) load cells in parallel
- Analog amplifier and transmitter
- Analog output: 0-20 mA, 4-20 mA, 0-10 V
- Mounting on Omega/DIN rail for back panel or junction box

Specifications

Power:

Input: 20 to 28 VDC

Power Consumption:

8 W

Excitation Voltage:

10 VDC, 170 mA, 6 × 350 ohm load cells

Analog Signal Input Range:

3.5 to 24 mV

Analog Signal Sensitivity:

0.3 μ V/graduation minimum
1.0 μ V/graduation recommended

A/D Sample Rate:

300 Hz

System linearity:

\pm 0.01% full scale

Analog Output (if equipped):

Opto isolated
0-20 mA, 4-20 mA (max 300 ohm)
0-10 VDC (min 10,000 ohm)

Dimensions:

(L × W × H)
4.56 × 3.72 × 2.4 in
(114 × 93 × 60 mm)

Temperature:

Operating: 14 °F to 122 °F (-10 °C to 50 °C)

Humidity:

85% non-condensing

Rating/Material:

DIN rail mount: NEMA Type 1

Weight:

0.5 lb (0.2 kg)

Warranty:

One-year limited

Approvals:

UKCA Marked



Standard Features

- Load cell status diagnostics
- USB port for quick programming
- Integrated fieldbus and web server for configuration, diagnostics and data backup
- Process up to 4800 weight readings per second. The high speed allows an extremely accurate weight filtering even with weighing being performed in milliseconds.
- Up to 120 updates per second on Fieldbus
- New power supply circuit of the load cells (up to 16) for a better weighing stability
- Power supply circuit with protections against overloads, polarity reversal and short circuits, specific for industrial environments
- Micro-USB communication port for configuration, diagnostics and data backup is available on all versions
- Modbus RTU protocol integrated on all versions, up to 110 updates per second
- Real-time warning of any faults or disconnections of the load cell
- The integrated web server allows full diagnostics, calibration and remote configuration of the weight transmitter from an Ethernet network
- Calibration via theoretical (mV/V), with sample weights, Web server or xSpeed software tool
- Easy configuration with Rice Lake Tools software

Optional xSpeed Software

- Customization of the weighing filter, to maximize the speed and accuracy in static and dynamic applications
- Graphical weighing analysis for the identification of mechanical disturbances and vibrations. Oscilloscope function for system diagnostics and filter optimization.

Part Number/Price

| Part # | Description | Est. Weight | Price |
|--------|---|-------------|------------|
| 216820 | SCT-1SX-AN weight transmitter and analog output for DIN rail mount with digital I/O 2 IN and 4 OUT | | \$895.00 |
| 216822 | SCT-1SX-ETHIP weight transmitter and EtherNet/IP port for DIN rail mount with digital I/O 2 IN and 4 OUT, integrated web server | | \$1,295.00 |
| 216821 | SCT-1SX-PRONET weight transmitter and PROFINET port for DIN rail mount with digital I/O 2 IN and 4 OUT, integrated web server | | \$1,095.00 |
| 216823 | SCT-1SX-MODTCP weight transmitter and Modbus/TCP port for DIN rail mount with digital I/O 2 IN and 4 OUT, integrated web server | | \$1,295.00 |

Options/Accessories

| Part # | Description | Est. Weight | Price |
|---------|--|-------------|----------|
| 88792 | 12 VDC 1.2 A DIN rail mount power supply | 1 lb | \$140.00 |
| 119244 | 24 VDC 1.3 A DIN rail mount power supply | 1 lb | \$160.00 |
| Consult | Alibi Memory for type-approved communication to PC/PLC (fiscal memory, max 120,000 weighs) built-in real time clock to print the date/time with PCB, screw terminal, plastic box | | Consult |
| Consult | Real time clock for printing/displaying of date and time | | Consult |

Specifications

- Power:**
12 to 24 VDC, 5 W
- Power Consumption:**
70 mA min to 100 mA max
- Excitation Voltage:**
5V, 120 mA, 16 × 350 ohm load cells
- Analog Signal Input Range:**
± 39 mV
- Analog Signal Sensitivity:**
High resolution 0.01 µV/d
Legal for trade 0.3 µV/e
- A/D Sample Rate:**
Up to 4800 Hz
- Resolution:**
Internal: 1,500,000 counts
Display: 800,000
Legal for Trade divisions
Up to 10,000 e or multi-field 2 × 3,000 e
- Digital I/O:**
Two inputs, configurable: 12 to 24 VDC
Four outputs, configurable: 150 mA 48 VAC/ 150 mA 60 VDC
- Communication Ports:**
(1) RS-485, (1) RS-232
1 micro-USB port (device)
Serial port update rate: up to 1600 Hz
Fieldbus update rate: up to 120 Hz
- Analog Output (if equipped):**
Opto. isolated, 16-bit
0 to 20 mA, 4 to 20 mA (maximum 350 ohm)
0 to 5 VDC, 0 to 10 VDC (minimum 10,000 ohm)
- Annunciators:**
Net, center of zero, stability
- Display:**
Six-digit (8 mm), red LED
- Keys/Buttons:**
Five key, membrane panel
zero (down), tare (up), mode (right), print (enter), C (on/off)
- Dimensions:**
(L × W × H)
4.72 × 0.9 × 4.0 in
(120 × 23 × 112 mm)
- Temperature:**
Certified: 14 °F to 104 °F (-10 °C to 40 °C)
Operating: -4 °F to 140 °F (-20 °C to 60 °C)
- Humidity:**
85% non-condensing
- Rating/Material:**
Enclosure: ABS plastic
- Warranty:**
One-year limited
- Approvals:**
CE-M EN 45501
2014/30/EU EMC
2014/35/EU LVD
2011/65/EU RoHS
OIML R61 - MID
OIML R76

SCT-4X

4-Channel Integrated Fieldbus Transmitter



INDICATORS /
CONTROLLERS

Standard Features

- Manage up to four load cells (one scale) or four scales with load cell feed circuit for greater weighing stability
- Process to 2,600 weight readings per second for single-channel
- 14.2 mm display with new configuration menu to simplify calibration and configuration
- All data and adjustments of each scale are available through integrated fieldbus with up to 120 updates per second
- Integrated web server allows complete diagnostics, calibration and remote configuration (not available on AN models)
- Frontal micro-USB communication port for configuration, diagnostics and data backup
- Removable terminal blocks to simplify wiring in the electrical panel
- RS-485 communication port always available on all versions
- Power supply circuit with protections, specific for industrial environment

Optional xSpeed Software

- Customization of the weighing filter, to maximize the speed and accuracy in static and dynamic applications
- Graphical weighing analysis for the identification of mechanical disturbances and vibrations
- Oscilloscope function for system diagnostics and filter optimization

Part Number/Price

| Part # | Description | Est. Weight | Price |
|--------|--|-------------|------------|
| 216824 | SCT-4XAN high speed weight transmitter and analog output for DIN rail mount with digital I/O, 2 IN, 2 OUT, keypad, LED display (does not include web server) | | \$940.00 |
| 216825 | SCT-4X-ETHIP high speed 4 channel weight transmitter and EtherNet/IP port for DIN rail mount with digital I/O 2 IN, 2 OUT, 5-key keypad, LED display | | \$1,175.00 |
| 216826 | SCT-4X-MODTCP high speed 4 channel weight transmitter and Modbus/TCP port for DIN rail mount with digital I/O 2 IN, 2 OUT, 5-key keypad, LED display | | \$1,155.00 |
| 216827 | SCT-4X-PRONET high speed 4 channel weight transmitter and PROFINET port for DIN rail mount with digital I/O 2 IN, 2 OUT, 5-key keypad, LED display | | \$1,125.00 |

Options/Accessories

| Part # | Description | Est. Weight | Price |
|---------|--|-------------|----------|
| 88792 | 12 VDC 1.2 A DIN rail mount power supply | 1 lb | \$140.00 |
| 119244 | 24 VDC 1.3 A DIN rail mount power supply | 1 lb | \$160.00 |
| Consult | Alibi Memory for type-approved communication to PC/PLC (fiscal memory, max 120,000 weighs) built-in real time clock to print the date/time with PCB, screw terminal, plastic box | | Consult |
| Consult | Real time clock for printing/displaying of date and time | | Consult |

Specifications

Power:

12 to 24 VDC

Power Consumption:

5 W

Excitation Voltage:

5 VDC, 120 mA
up to 16 × 350 ohm cells

Analog Signal Input Range:

± 39 mV

Analog Signal Sensitivity:

0.3 μV/graduation minimum

A/D Sample Rate:

24-bit A/D
Single-channel up to 2,600 conv/sec
4 channels up to 100 conv/sec

Resolution:

Internal: 3,000,000 counts
Display: up to 800,000
Up to 8 linearization points

Digital I/O:

Two inputs: 12/24 VDC
Two outputs: 150 mA 48 VAC/ 150 mA 60 VDC

Communication Ports:

1 Micro-USB port (device) for PC configuration
(1) RS-485, (1) RS-232

Analog Output (if equipped):

Opt. isolated, 16-bit
0-20 mA, 4-20 mA (maximum 350 ohm)
0 to 5 VDC, 0 to 10 VDC (minimum 10,000 ohm)

Annunciators:

Nine LEDs

Display:

Six-digit 0.31 in (8 mm), red LED

Keys/Buttons:

Five tactile keys
Zeroing, Tare, function mode, manual data printing/sending, on/stand-by

Dimensions:

(L × W × H)
4.17 × 2.20 × 4.64 in
(106 × 56 × 118 mm)

Temperature:

Certified: 14 °F to 104 °F (-10 °C to 40 °C)
Operating: -4 °F to 140 °F (-20 °C to 60 °C)

Humidity:

80% RH, non-condensing

Rating/Material:

NEMA Type 1 plastic pluggable connectors
ABS

Weight:

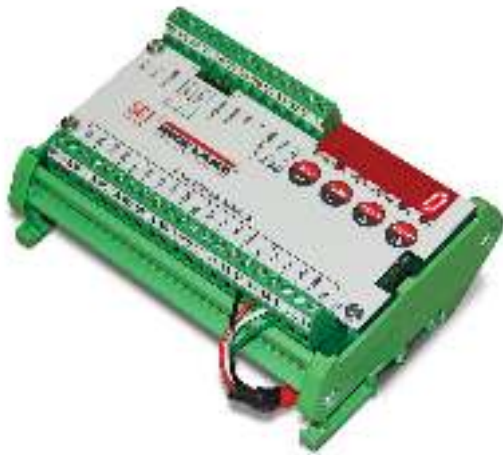
1 lb (0.5 kg)

Warranty:

One-year limited

Approvals:

CE-M EN 45501



SCT-10 in Plastic Enclosure

Approvals



Standard Features

- Converts digital weight to analog output
- Sums four input channels in parallel
- Theoretical calibration, real-weigh calibration, linearity calibration
- Push-button or preset tare
- Full-scale analog output with zero setting and PLC correction of analog signal
- Displays weight, configuration, calibration and error conditions
- DIN-rail mounting, suitable for back panel
- Two digital inputs, two digital outputs
- Supports ASCII or MODBUS-RTU protocols

Part Number/Price

| Part # | Description | Est. Weight | Price |
|--------|--|-------------|----------|
| 129393 | SCT-10 converter with Analog Output | 1 lb | \$565.00 |
| 129394 | SCT-10 converter with Analog Output in enclosure | 1 lb | \$725.00 |

Options/Accessories

| Part # | Description | Est. Weight | Price |
|--------|--|-------------|----------|
| 88792 | 12 VDC 1.2 A DIN rail mount power supply | 1 lb | \$140.00 |
| 119244 | 24 VDC 1.3 A DIN rail mount power supply | 1 lb | \$160.00 |
| 131129 | Installation manual | 1 lb | \$25.00 |
| 199687 | DIN rail clip right & left end clamp | | \$11.00 |

Specifications

- Power:**
Input: 12 to 24 VDC
- Power Consumption:**
5 W
- Excitation Voltage:**
5 VDC, 120 mA, 8 × 350 ohm load cells
- Analog Signal Input Range:**
± 19.5 mV
- Analog Signal Sensitivity:**
0.3 µV/graduation minimum
1.0 µV/graduation recommended
- A/D Sample Rate:**
80 Hz
- Resolution:**
Internal: 16,000,000 counts
Display: 999,999
- System Linearity:**
± 0.01% full scale
- Digital I/O:**
2 inputs 5-24 VDC, 2 outputs
24 VDC/60 mA
N.O. or N.C. (solid state)
- Communication Ports**
RS-485 or RS-232 simplex supports
up to 115,200 bps
- Analog Output:**
Opto isolated, 16 bit
0-20 mA, 4-20 mA (max 300 ohm)
0-10 VDC, 0-5 VDC, -10 to 10 VDC,
5 to 5 VDC, (min 10 k ohm)
- Annunciators:**
Net, center of zero, stability,
kg, g, lb
- Display:**
0.3 in (8 mm), six-digit, seven-segment LED
- Keys/Buttons:**
4-key membrane panel, tactile feel
Zero, Tare, Print, Menu, Escape,
Left and Up Navigation, Enter
- Dimensions:**
(L × W × H)
DIN Rail Mount: 4.84 × 3.62 × 1.96 in
(123 × 92 × 50 mm)
Enclosure: 6.69 × 5.51 × 3.74 in
(170 × 140 × 95 mm)
- Temperature & Humidity:**
Operating Temperature: -4 °F to 140 °F
(-20 °C to 60 °C)
Humidity: 85% non-condensing
- Rating/Material:**
DIN rail mount: NEMA Type 1
Enclosure: NEMA Type 4/IP67, plastic
Clear cover: six PG9 cord grips
- Weight:**
1 lb (0.5 kg)
- Warranty:**
One-year limited
- Approvals:**
cULus Recognized

SCT-20

Signal Conditioning Transmitter



INDICATORS /
CONTROLLERS

Approvals



Standard Features

- Space saving, vertical shape with DIN-rail mounting
- Displays weight, configuration, calibration and error conditions
- Theoretical calibration, real-weigh calibration, linearity calibration
- Push-button or preset tare
- Converts digital weight to analog output or optional DeviceNet™ or Profibus™ or EtherNet/IP™ protocol
- Supports ASCII or MODBUS-RTU protocols
- Full-scale analog output with zero setting and PLC correction of analog signal
- Bit swapping selection for little endian and big endian format
- Two digital inputs, three digital outputs
- One serial port, RS-232 transmit only, or RS-485 half duplex connection

Part Number/Price

| Part # | Description | Est. Weight | Price |
|--------|--|-------------|------------|
| 129396 | SCT-20 converter with Analog Output | 1 lb | \$565.00 |
| 129397 | SCT-20 converter with DeviceNet™ | 1 lb | \$685.00 |
| 129558 | SCT-20 converter with Profibus™ DP | 1 lb | \$755.00 |
| 129398 | SCT-20 converter with EtherNet/IP™ | 1 lb | \$965.00 |
| 132534 | SCT-20 converter with Ethernet TCP/IP™ | 1 lb | \$1,015.00 |
| 156903 | SCT-20 converter with Modbus/TCP | 1 lb | \$950.00 |
| 131128 | Installation manual | 1 lb | \$25.00 |

EtherNet/IP and Modbus output changed to Dual Port in 2019.

Options/Accessories

| Part # | Description | Est. Weight | Price |
|--------|---|-------------|----------|
| 88792 | 12 VDC 1.2 A DIN rail mount power supply | 1 lb | \$140.00 |
| 119244 | 24 VDC 1.3 A DIN rail mount power supply. | 1 lb | \$160.00 |

Specifications

Power:

Input: 12 to 24 VDC

Power Consumption:

5 W

Excitation Voltage:

5 VDC, 120 mA, 8 × 350 ohm load cells

Analog Signal Input Range:

± 39 mV

Analog Signal Sensitivity:

0.3 µV/graduation minimum
1.0 µV/graduation recommended

A/D Sample Rate:

300 Hz

Resolution:

Internal: 16,000,000 counts
Display: 999,999

System linearity:

± 0.01% full scale

Digital I/O:

2 inputs 5 to 24 VDC, 3 outputs 115 VAC/150 mA
N.O. or N.C. (dry contact)

Communication Ports:

RS-232 transmit only, or RS-485 half duplex
Supports up to 115,200 bps

Analog Output:

Opto isolated, 16 bit
0-20 mA, 4-20 mA (max 300 ohm)
0-10 VDC, 0-5 VDC (min 10 k ohm)

Display:

0.3 in (8 mm), six-digit, seven-segment LED
Annunciators: Net, center of zero, stability,
kg, g, lb

Keys/Buttons:

4-key membrane panel, tactile feel
zero, tare, print, menu, escape, left and up
navigation, enter

Dimensions

(W × H × D)
4.72 × 4.52 × 0.98 in
(120 × 115 × 25 mm)

Temperature:

Operating: -4 °F to 140 °F (-20 °C to 60 °C)

Humidity:

85% non-condensing

Rating/Material:

Enclosure: NEMA Type 1 plastic
pluggable connectors

Weight:

1 lb (0.5 kg)

Warranty:

One-year limited

Approvals:

NTEP CC 14-083
cULus Recognized



SCT converter
with analog output

Approvals



Part Number/Price

| Part # | Description | Est. Weight | Price |
|--------|--|-------------|----------|
| 156794 | SCT-30 converter with Analog Output | 1 lb | \$445.00 |
| 156834 | SCT-30 converter with Analog Output in enclosure | 1 lb | \$595.00 |

Options/Accessories

| Part # | Description | Est. Weight | Price |
|--------|---|-------------|----------|
| 88792 | 12 VDC 1.2 A DIN rail mount power supply | 1 lb | \$140.00 |
| 119244 | 24 VDC 1.3 A DIN rail mount power supply. | 1 lb | \$160.00 |
| 131129 | Installation manual | 1 lb | \$25.00 |
| 199707 | DIN rail clip right & left end clamp | | \$11.00 |

Standard Features

- LCD display
- Powers up to eight (350 ohm) load cells in parallel (with a 24-bit A/D converter)
- A/D converter 24-bit 4.8 kHz
- 16-bit analog output: 0-20 mA, 4-20 mA, 0-5 V, 0-10 V, ± 5 V, and ± 10 V
- Mounting on Omega/DIN rail for back panel or junction box
- Diagnostic message for load cell disconnect and over-capacity errors

Specifications

Power:

Input: 12 to 24 VDC

Power Consumption:

3 W

Excitation Voltage:

5 VDC, 120 mA, 8 \times 350 ohm load cells

Analog Signal Input Range:

± 39 mV

Analog Signal Sensitivity:

0.3 μ V/graduation minimum
1.0 μ V/graduation recommended

A/D Sample Rate:

300 Hz

Resolution:

Internal: 16,000,000 counts

System Linearity:

$\pm 0.01\%$ full scale

Communication Ports:

RS-485

Analog Output:

Opto isolated, 16 bit
0-20 mA, 4-20 mA (max 300 ohm)
0-10 VDC, 0-5 VDC (min 10 k ohm)

Display:

Eight-digit alphanumeric tow line LCD, 5 mm high

Keys/Buttons:

Control knob and DIP switches

Dimensions:

(L \times W \times H)
3.74 \times 3.54 \times 2.36 in
(95 \times 90 \times 60 mm)

Temperature:

Operating: -4 $^{\circ}$ F to 140 $^{\circ}$ F (-20 $^{\circ}$ C to 60 $^{\circ}$ C)

Humidity:

85% non-condensing

Rating/Material:

DIN rail mount: NEMA Type 1

Weight:

1 lb (0.5 kg)

Warranty:

One-year limited

Approval:

cULus Recognized

SCT-40

Signal Conditioning Transmitter

INDICATORS /
CONTROLLERS



Approvals



Standard Features

- LCD display
- Supports up to eight independent reading channels for load cells
- Displays weight, configuration, calibration and error conditions
- DIN rail mounting
- Theoretical calibration, real-weight calibration and linear calibration
- Push -button or preset tare
- Converts digital weight to analog output or optional DeviceNet™, Profibus™, EtherNet/IP™, PROFINET and Modbus TCP protocols
- Supports ASCII or MODBUS RTU protocols
- Bit swapping selection for little endian and endian format
- Three digital inputs, five digital outputs
- One serial port, RS-485 half duplex or RS-232 transmit-only connection

SCT-40AN only

- Full scale analog output with zero setting and PLC correction of analog signal

Part Number/Price

| Part # | Description | Est. Weight | Price |
|--------|-----------------------------|-------------|------------|
| 170470 | SCT-40 with Analog Output | 1 lb | \$755.00 |
| 170471 | SCT-40 with DeviceNet | 1 lb | \$995.00 |
| 170472 | SCT-40 with Profibus | 1 lb | \$995.00 |
| 170473 | SCT-40 with EtherNet/IP | 1 lb | \$1,045.00 |
| 170474 | SCT-40 with Ethernet TCP/IP | 1 lb | \$995.00 |
| 170475 | SCT-40 with Modbus TCP | 1 lb | \$1,025.00 |
| 170476 | SCT-40 with Profinet I/O | 1 lb | \$1,025.00 |

EtherNet/IP and Modbus output changed to Dual Port in 2019

Options/Accessories

| Part # | Description | Est. Weight | Price |
|--------|---|-------------|----------|
| 88792 | 12 VDC 1.2 A DIN rail mount power supply | 1 lb | \$140.00 |
| 119244 | 24 VDC 1.3 A DIN rail mount power supply. | 1 lb | \$160.00 |
| 131128 | Installation manual | 1 lb | \$25.00 |

Specifications

Power:

Input: 12 to 24 VDC

Power Consumption:

5 W

Excitation Voltage:

5 VDC, 240 mA, 16 x 350 ohm load cells

Analog Signal Input Range:

± 39 mV

Analog Signal Sensitivity:

0.3 μ V/graduation minimum

1.0 μ V/graduation recommended

A/D Sample Rate:

600 Hz

Resolution:

Internal: 16,000,000 counts

Display: 999,999

System linearity:

± 0.01% full scale

Digital I/O:

3 inputs 5 to 24 VDC, 5 outputs, 115 VAC/150 mA

Communication Ports

RS-232 transmit only, or RS-485 half duplex

Supports up to 115,200 bps

Analog Output (SCT-40AN only):

Opto isolated, 16 bit

0-20 mA, 4-20 mA (max 300 ohm)

0-10 VDC, 0-5 VDC (min 10 k ohm)

Display:

Backlit graphic LCD, transmissive

128 x 64 pixel resolution, 60 x 32 mm visible area

Keys/Buttons:

Five-key tactile keypad
test, zero, tare, print menu, escape, left and up,
navigator, enter

Dimensions:

(L x W x H)

5.82 x 3.62 x 2.36 in

(148 x 92 x 60 mm)

Temperature:

Operating: -4 °F to 140 °F (-20 °C to 60 °C)

Humidity:

85% non-condensing

Rating/Material:

DIN rail mount: NEMA Type 1

Weight:

1 lb (0.5 kg)

Warranty:

One-year limited

Approvals:

cULus Recognized

Profibus® DP Interface

720i™/920i®



PN 68540

Standard Features

- DP intelligent device
- Standard GSD file download from product page
- 128 selectable addresses
- Auto baud rate up to 56K
- Registered with Profibus Trade Organization
- Onboard diagnostic LEDs

Specifications

Power:

5 VDC, 350 mA

Fieldbus Interface:

Pluggable screw connector

Diagnostic LEDs:

Module status and network status

Dimensions:

2.00 × 1.90 × 0.75 in
(51.8 × 48 × 19 mm)

Temperature Range:

14 °F to 158 °F (-10 °C to 70 °C)

Part Number/Price

| Part # | Description | Est. Weight | Price |
|--------|--|-------------|----------|
| 68540 | Profibus DP interface kit (internal), for 720i/920i indicators | 3 lb | \$720.00 |

Options/Accessories

| Part # | Description | Price |
|--------|------------------------------|---------|
| 69948 | Additional operating manual) | \$44.00 |

INDICATORS /
CONTROLLERS

Profinet® I/O Interface

920i®



PN 187816

Standard Features

- CE marked and UL conformance
- Onboard diagnostic LEDs
- Control protocols

Specifications

Power:

5 VDC, 350 mA (jumper for 6 VDC)

Fieldbus Interface:

RJ-45

Diagnostic LEDs:

Link status and module status

Dimensions:

2.13 × 3.38 × 0.59 in
(86 × 54 × 15 mm)

Temperature Range:

14 °F to 158 °F (-10 °C to 70 °C)

Part Number/Price

| Part # | Description | Price |
|--------|--|----------|
| 187816 | Profinet IO interface kit for 920i indicator | \$895.00 |

Options/Accessories

| Part # | Description | Price |
|--------|-----------------------------|---------|
| 187907 | Additional operating manual | \$35.00 |

DeviceNet™ Interface

720i™/920i®



PN 68541

Standard Features

- DeviceNet communication adapter
- Polled I/O connection
- 125 Kbps, 250 Kbps, and 500 Kbps baud rate
- Onboard LED diagnostics
- Floating-point commands support decimal points

Specifications

Power:
5 VDC, 270 mA
Fieldbus connector requires 24 VDC, ±10%

Communication Ports:
Twisted-pair cabling at 125, 250, or 500 Kbps
Update rate is dependent on the configured baud rate and the number of network modes

Fieldbus Interface:
Pluggable screw connector

Diagnostic LEDs:
Module status and network status

Dimensions:
2.13 × 3.38 × 0.59 in
(86 × 54 × 15 mm)

Temperature Range:
14 °F to 158 °F (-10 °C to 70 °C)

Galvanic Isolation:
Bus power is separated from other electronics via DC/DC converter. The send and receive signals are isolated via opto couplers.

Part Number/Price

| Part # | Description | Est. Weight | Price |
|--------|--|-------------|----------|
| 68541 | DeviceNet interface kit for 720i/920i indicators | 3 lb | \$720.00 |

Options/Accessories

| Part # | Description | Price |
|--------|-----------------------------|---------|
| 69949 | Additional operating manual | \$44.00 |

INDICATORS / CONTROLLERS

ControlNet™ Interface

920i®



PN 103136

Standard Features

- Option for 920i®
- Polled I/O connection
- Onboard LED diagnostics
- Floating-point commands support decimal points

Specifications

Power:
5 VDC, 350 mA (jumper for 6 VDC)

Fieldbus Interface:
BNC connector

Diagnostic LEDs:
Module status and network status

Dimensions:
2.13 × 3.38 × 0.59 in
(86 × 54 × 15 mm)

Temperature Range:
14 °F to 158 °F (-10 °C to 70 °C)

Part Number/Price

| Part # | Description | Price |
|--------|---|------------|
| 103136 | ControlNet interface for 920i indicator | \$1,080.00 |

Cables

Consult factory for coaxial cable with cord grips

Options/Accessories

| Part # | Description | Price |
|--------|-----------------------------|---------|
| 103122 | Additional operating manual | \$40.00 |



Standard Features

- Industrial protocol for Allen-Bradley PLC and other EtherNet/IP compliant devices
- IP address settings configurable with onboard DIP switches, web page, or ARP or DHCP
- Supports Rockwell Automation® EtherNet/IP level
- CE marked and UL conformance
- Onboard diagnostic LED
- Supports the Modbus/TCP protocol and conforms to Modbus/TCP specification 1.0

Specifications

Power:

5 VDC, 350 mA

Fieldbus Interface:

RJ-45

Diagnostic LEDs:

Module status and network status

Dimensions:

2.13 × 3.38 × 0.59 in
 (86 × 54 × 15 mm)

Temperature:

14 °F to 158 °F (-10 °C to 70 °C)

INDICATORS / CONTROLLERS

Part Number/Price

| Part # | Description | Price |
|--------|--|----------|
| 87803 | EtherNet/IP protocol card for 720i/920i indicators | \$895.00 |

Options/Accessories

| Part # | Description | Price |
|--------|-----------------------------|---------|
| 88537 | Additional operating manual | \$40.00 |

Ethernet TCP/IP Interface

720i™/920i®



PN 71986

Standard Features

- Supports any serial devices with seven or eight data bits requiring Ethernet access
- Compact size for internal installation in 720i and 920i indicators
- Can be used in other applications requiring five-volt power supplied
- 10/100 megabyte through RJ45 connector or wireless option
- HTTP, serial, telnet and SNMP management

Specifications

Power:

5 VDC, 250 mA

Supported Protocols:

ARP, UDP, TCP, Telnet, SNMP, ICMP, HTTP, BOOTP, DHCP and TFTP

Network Interface:

Ethernet: RJ-45 (10/100 Base-T) or AUI

Serial Line Formats:

Characters: 7 or 8 data bits
 Stop bits: 1 or 2
 Parity: odd, even, none

Data Rates:

Single port, 300 bps to 115.2 Kbps default 9,600

Dimensions:

2.00 × 1.90 × 0.75 in
 (52 × 49 × 19 mm)

Temperature Range:

41 °F to 122 °F (5 °C to 50 °C)

Part Number/Price

| Part # | Description | Est. Weight | Price |
|--------|--|-------------|----------|
| 71986 | Ethernet TCP/IP interface for 720i/920i indicators | 3 lb | \$455.00 |
| 206271 | Wireless Ethernet TCP/IP interface for 720i/920i indicators | 3 lb | \$670.00 |
| 206272 | Wireless Ethernet TCP/IP interface for 720i, CW-90 indicators and iQUBE ² | 3 lb | \$610.00 |

Options/Accessories

| Part # | Description | Price |
|---------------|---|---------|
| 72117 | Additional operating manual | \$14.00 |
| Cables | | |
| 72697 | RJ-45 to RJ-45, straight, 7 ft length | \$40.00 |
| 78860 | RJ-45 to RJ-45, cross over, 7 ft length | \$40.00 |



PN 206272



PN 206271

INDICATORS /
CONTROLLERS

Profibus® DP Interface

880™/882D/882IS/1280™



Standard Features

- DP intelligent device
- Standard GSD file download from product page
- Selectable addresses
- Up to 12 Mbps baud rate
- Onboard diagnostic LEDs

Specifications

- Power:**
3.3 VDC, 250 mA
- Connector Type:**
DB9, pluggable
- Diagnostic LEDs:**
Module status and network status
- Dimensions:**
2.00 × 1.90 × 0.75 in
(52 × 49 × 19 mm)
- Temperature Range:**
-40 °F to 158 °F (-40 °C to 70 °C)

Part Number/Price

| Part # | Description | Est. Weight | Price |
|--------|---|-------------|----------|
| 179163 | Profibus DP interface kit, for 880 indicator | 1 lb | \$600.00 |
| 165795 | Profibus DP interface kit for 1280 indicator | 1 lb | \$620.00 |
| 190534 | Profibus DP interface kit for 882D and 882IS indicators | 1 lb | \$620.00 |

NOTE: Kit includes module and carrier board

Options/Accessories

| Part # | Description | Price |
|--------|-----------------------------|---------|
| 156784 | Additional operating manual | \$40.00 |

INDICATORS / CONTROLLERS

PROFINET® Interface

880™/882D/882IS/1280™



Standard Features

- PROFINET communication adapter
- Onboard diagnostic LEDs
- 100 Mbps baud rate
- Works as an I/O device on the PROFINET network
- PROFINET energy compliant

Specifications

- Power:**
3.3 VDC, 250 mA
- Configuration:**
GSDML file
- Connector Type:**
RJ-45 (Consult for dual-port version)
- Diagnostic LEDs:**
Module status and network status
- IP Address Range:**
Full IP address range DHCP
- Dimensions:**
2.00 × 1.90 × 0.75 in
(52 × 49 × 19 mm)
- Temperature Range:**
-40 °F to 158 °F (-40 °C to 70 °C)

Part Number/Price

| Part # | Description | Est. Weight | Price |
|--------|---|-------------|----------|
| 179160 | PROFINET interface kit for 880 indicator (single port) | 1 lb | \$600.00 |
| 205567 | PROFINET interface kit for 880 indicator (dual port) | 1 lb | \$805.00 |
| 165794 | PROFINET interface kit for 1280 indicator (single port) | 1 lb | \$620.00 |
| 190532 | PROFINET interface kit for 882D and 882IS indicators | 1 lb | \$620.00 |

NOTE: Kit includes module and carrier board

Options/Accessories

| Part # | Description | Price |
|--------|-----------------------------|---------|
| 156781 | Additional operating manual | \$40.00 |

DeviceNet® Interface

880™/882D/882IS/1280™



Standard Features

- DeviceNet communication adapter
- 125 Kbps, 150 Kbps and 500 Kbps baud rate
- Onboard diagnostic LEDs

Specifications

- Power:**
3.3 VDC, 250 mA
- Connector Type:**
Pluggable screw terminal
- IP Address Range:**
MAC ID 0 to 63
- Diagnostic LEDs:**
Module status and network status
- Dimensions:**
2.00 × 1.90 × 0.75 in
(52 × 49 × 19 mm)
- Temperature Range:**
-40 °F to 158 °F (-40 °C to 70 °C)

Part Number/Price

| Part # | Description | Est. Weight | Price |
|--------|---|-------------|----------|
| 179162 | DeviceNet interface kit for 880 indicator | 1 lb | \$600.00 |
| 165793 | DeviceNet interface kit for 1280 indicator | 1 lb | \$620.00 |
| 190531 | DeviceNet interface kit for 882D and 882IS indicators | 1 lb | \$620.00 |

NOTE: Kit includes module and carrier board

Options/Accessories

| Part # | Description | Price |
|--------|-----------------------------|---------|
| 156783 | Additional operating manual | \$40.00 |

INDICATORS /
CONTROLLERS

MODBUS®-TCP Interface

880™/882D/882IS/1280™



Standard Features

- Active module with serial and parallel application interface
- Complete Modbus-TCP server
- Up to 8 bytes of I/O data
- Transformer isolated interface 100 Mbps full duplex Ethernet
- Onboard diagnostic LEDs
- CE and UL compliant

Specifications

- Power Requirements:**
3.3 VDC, 250 mA
- Connector Type:**
RJ-45
- Diagnostic LEDs:**
Link status, network status, module status
- Dimensions:**
2.00 × 1.90 × 0.75 in
(51 × 48 × 19 mm)
- Temperature:**
-40 °F to 176 °F (-40 °C to 85 °C)

Part Number/Price

| Part # | Description | Est. Weight | Price |
|--------|---|-------------|----------|
| 179161 | Modbus-TCP Interface kit for 880 indicator (single port) | 1 lb | \$600.00 |
| 205568 | Modbus-TCP Interface kit for 880 indicator (dual port) | 1 lb | \$805.00 |
| 165796 | Modbus-TCP Interface kit for 1280 indicator (single port) | 1 lb | \$620.00 |
| 190533 | Modbus-TCP Interface kit for 882D and 882IS indicators | 1 lb | \$620.00 |

NOTE: Kit includes module and carrier board

Options/Accessories

| Part # | Description | Price |
|--------|-----------------------------|---------|
| 156782 | Additional operating manual | \$40.00 |

EtherNet/IP® Interface

880™/882D/882IS/1280™



Standard Features

- Industrial protocol for Allen-Bradley PLC and other EtherNet/IP compliant devices
- IP address settings configurable with web page, ARP or DHCP
- Supports Allen-Bradley EtherNet/IP
- Onboard diagnostic LEDs
- CE marked and UL conformance
- AOP (880 only) or standard EDS file download

Specifications

Power Requirements:

3.3 VDC, 250 mA

IP Address Range:

Full IP address range

Connector Type:

RJ-45

Diagnostic LEDs:

Module status and network status

Dimensions:

2.00 × 1.90 × 0.75 in
(52 × 49 × 19 mm)

Temperature Range:

-40 °F to 158 °F (-40 °C to 70 °C)

Part Number/Price

| Part # | Description | Est. Weight | Price |
|--------|--|-------------|----------|
| 179159 | EtherNet/IP interface kit for 880 indicator (single port) | 1 lb | \$600.00 |
| 205566 | EtherNet/IP Interface kit for 880 indicator (dual Port) | 1 lb | \$805.00 |
| 165792 | EtherNet/IP interface kit for 1280 indicator (single port) | 1 lb | \$620.00 |
| 208129 | EtherNet/IP Interface kit for 1280 indicator (dual Port) | 1 lb | \$805.00 |
| 190530 | EtherNet/IP Interface kit for 882D and 882IS indicators | 1 lb | \$620.00 |

NOTE: Kit includes module and carrier board

Options/Accessories

| Part # | Description | Price |
|--------|-----------------------------|---------|
| 156861 | Additional operating manual | \$40.00 |

INDICATORS / CONTROLLERS

EtherCAT® Interface

880™/882D/882IS/1280™



Standard Features

- Two RJ-45 EtherCAT 100 Mbit/s ports available simultaneously
- Can be wired in several topologies including star, line or tree
- Has built-in redundancy that compensates for potential breaks in wiring
- No network switches necessary, can be wired directly from device to device
- Includes self-terminating network
- Onboard diagnostic LEDs
- CE, cULus and RoHS compliant

Specifications

Power:

3.3 VDC, 500 mA

Connector Type:

RJ-45 (dual port)

Diagnostic LEDs:

Module status and network status

Dimensions:

2.04 × 1.97 × 0.86 in
(52 × 50 × 22 mm)

Temperature Range:

-40 °F to 158 °F (-40 °C to 70 °C)

Part Number/Price

| Part # | Description | Est. Weight | Price |
|--------|--|-------------|----------|
| 179158 | EtherCAT interface kit for 880 indicator | 1 lb | \$600.00 |
| 179533 | EtherCAT interface kit for 1280 indicator | 1 lb | \$620.00 |
| 190535 | EtherCAT interface kit for 882D and 882IS indicators | 1 lb | \$620.00 |

NOTE: Kit includes module and carrier board

Options/Accessories

| Part # | Description | Price |
|--------|-----------------------------|---------|
| 164394 | Additional operating manual | \$40.00 |

TranSend™ MSI-7000

Wireless Load Cell Interface System



INDICATORS / CONTROLLERS

Part Number/Price

| Part # | Description | Est. Weight | Price |
|-------------------------------|--|-------------|------------|
| Transmitters | | | |
| 5-6 VDC Power Input | | | |
| 159207 | Four-channel transmitter, no relays, RF 802.15.4, 2.4 GHz | 2 lb | \$1,125.00 |
| 161949 | Four-channel transmitter, includes three coil relays, RF 802.15.4, 2.4 GHz | 2 lb | \$1,275.00 |
| 176648 | Four-channel transmitter, no relays, Wi-Fi | 2 lb | \$1,175.00 |
| 176652 | Four-channel transmitter, includes three coil relays, Wi-Fi | 2 lb | \$1,350.00 |
| 85-265 VAC Power Input | | | |
| 159469 | Four-channel transmitter, no relays, RF 802.15.4, 2.4 GHz | 2 lb | \$1,175.00 |
| 161950 | Four-channel transmitter, includes three coil relays, RF 802.15.4, 2.4 GHz | 2 lb | \$1,375.00 |
| 176647 | Four-channel transmitter, no relays, Wi-Fi | 2 lb | \$1,250.00 |
| 176651 | Four-channel transmitter, includes three coil relays, Wi-Fi | 2 lb | \$1,450.00 |
| Receivers | | | |
| 5-6 VDC Power Input | | | |
| 160016 | Four-channel receiver to provide an analog output signal: 4 to 20 mA, 0 to 20 mA, 0 to 5 VDC, 0 to 10 VDC, ±5 VDC, ±10 VDC, includes three coil relays, RF 802.15.4, 2.4 GHz | 2 lb | \$1,350.00 |
| 160017 | MSI-7000 four-channel receiver to provide RS232 serial output | 2 lb | \$1,350.00 |
| 85-265 VAC Power Input | | | |
| 159477 | Four-channel receiver to provide RS232 serial output | 2 lb | \$1,250.00 |
| 159475 | Four-channel receiver to provide an analog output signal: 4 to 20 mA, 0 to 20 mA, 0 to 5 VDC, 0 to 10 VDC, ±5 VDC, ±10 VDC, includes three coil relays, RF 802.15.4, 2.4 GHz | 2 lb | \$1,625.00 |

Standard Features

- Works with any basic digital weight indicator
- Excitation to load cell(s) provided by the transmitter, not the indicator
- Each transmitter/receiver set is individually paired
- Serial communication cable included with all transmitters
- IP68 milled aluminum enclosure

Options

(Contact MSI for application consultation)

- Multiple antenna selections
- 7 to 36 VDC power (input)

Specifications

Power:

5 to 6 VDC, 85 to 265 VAC

Excitation Voltage:

Transmitter: +4.8 VDC, 16 × 350 ohm or 32 × 700 ohm load cells

Standard Antenna:

1/2 wave 2dBi, articulated

Frequency:

Direct sequence spread spectrum at 2.4 GHz, 802.15.4

Effective Range:

Typically 100 to 300 ft, line of sight; for longer range consult factory

Communication Ports:

Full duplex RS-232

Circuit Protection:

RFI, EMI, ESD protection

Temperature:

Operating: -40 °F to 185 °F (-40 °C to 85 °C)

Rating/Material:

IP68, milled aluminum enclosure

Additional RF Options:

Wi-Fi
802.15.4
FHSS

Warranty:

One-year limited

Options/Accessories

| Part # | Description | Price |
|--------|--|----------|
| 162172 | Charger, TranSend™ for 6V SLA battery | \$73.00 |
| 162173 | Battery, TranSend 6V SLA | \$145.00 |
| 162175 | Enclosure, TranSend for 6V SLA battery | \$365.00 |
| 160109 | AC adapter, TranSend 6V | \$62.00 |
| 143531 | Power cord, 6 V SLA battery charger EU | \$33.00 |
| 143533 | Power cord, 6 V SLA battery charger, Australia | \$54.00 |
| 143534 | Power cord, 6 V SLA battery charger, UK | \$49.00 |
| 160110 | 265 VAC to 6 VDC wall adapter US/UK/EU/AUS/China | \$62.00 |
| 162178 | Antenna extension kit, 6 ft coax cable | \$510.00 |
| 144345 | 30 m coaxial cable, for use with non-vehicle mount antenna kits | \$480.00 |
| 139313 | Antenna kit, vehicle mount. 5 dbi with 5 m coaxial cable | \$160.00 |
| 150964 | RS-232 13 ft (4 m) serial cable with nine-pin (female) connector | \$210.00 |
| 150965 | RS-232 13 ft (4 m) serial cable with nine-pin (male) connector | \$180.00 |
| 145085 | RS-232 serial cable, unterminated | \$145.00 |

TranSend™ MSI-7001

Wireless Load Cell Interface System



Part Number/Price

| Part # | Description | Est. Weight | Price |
|-------------------------------|--|-------------|------------|
| Transmitters | | | |
| 5-6 VDC Power Input | | | |
| 160330 | Single-channel transmitter, no relays, RF 802.15.4, 2.4 GHz | 2 lb | \$1,050.00 |
| 176655 | Single-channel transmitter, no relays, Wi-Fi | 2 lb | \$1,125.00 |
| 7-36 VDC Power Input | | | |
| 160329 | Single-channel transmitter, no relays, RF 802.15.4, 2.4 GHz | 2 lb | \$1,125.00 |
| 176656 | Single-channel transmitter, no relays, Wi-Fi | 2 lb | \$1,175.00 |
| 85-265 VAC Power Input | | | |
| 160328 | Single-channel transmitter, no relays, RF 802.15.4, 2.4 GHz | 2 lb | \$1,150.00 |
| 176654 | Single-channel transmitter, no relays, Wi-Fi | 2 lb | \$1,225.00 |
| Receivers | | | |
| 5-6 VDC Power Input | | | |
| 160337 | Single-channel receiver to provide a mV signal to a digital weight indicator, RF 802.15.4, 2.4 GHz | 2 lb | \$1,125.00 |
| 160334 | Single-channel receiver to provide an analog output signal: 4 to 20 mA, 0 to 20 mA, 0 to 5 VDC, 0 to 10 VDC, ±5 VDC, ±10 VDC, RF 802.15.4, 2.4 GHz | 2 lb | \$1,175.00 |
| 161941 | Single-channel receiver to provide RS232 serial output | 2 lb | \$870.00 |
| 7-36 VDC Power Input | | | |
| 160336 | Single-channel receiver to provide a mV signal to a digital weight indicator, RF 802.15.4, 2.4 GHz | 2 lb | \$1,225.00 |
| 161939 | Single-channel receiver to provide RS232 serial output | 2 lb | \$990.00 |
| 160333 | Single-channel receiver to provide an analog output signal: 4 to 20 mA, 0 to 20 mA, 0 to 5 VDC, 0 to 10 VDC, ±5 VDC, ±10 VDC, RF 802.15.4, 2.4 GHz | 2 lb | \$1,350.00 |
| 85-265 VAC Power Input | | | |
| 160335 | Single-channel receiver to provide a mV signal to a digital weight indicator, RF 802.15.4, 2.4 GHz | 2 lb | \$1,275.00 |
| 161938 | Receiver to provide RS232 serial output | 2 lb | \$1,075.00 |
| 160332 | 7001AN AC power | - | \$1,400.00 |

Standard Features

- Works with any basic digital weight indicator
- Excitation to load cell(s) provided by the transmitter, not the indicator
- Each transmitter/receiver set is individually paired
- Serial communication cable included with all transmitters
- IP68 milled aluminum enclosure

Options

(Contact MSI for application consultation)

- Multiple antennas

Specifications

Power:

5 to 6 VDC, 7 to 36 VDC, 85 to 265 VAC

Excitation Voltage:

Transmitter: +4.8 VDC, 16 × 350 ohm or 32 × 700 ohm load cells

Standard Antenna:

1/2 wave 2dBi, articulated

Frequency:

Direct sequence spread spectrum at 2.4 GHz, 802.15.4

Effective Range:

Typically 100 to 300 ft, line of sight; for longer range consult factory

Communication Ports:

Full duplex RS-232

Circuit Protection:

RFI, EMI, ESD protection

Temperature:

Operating: -40 °F to 185 °F (-40 °C to 85 °C)

Rating/Material:

IP68, milled aluminum enclosure

Additional RF Options:

Wi-Fi
802.15.4
FHSS

Warranty:

One-year limited

INDICATORS / CONTROLLERS

TranSend™ MSI-7001

Wireless Load Cell Interface System

Options/Accessories

| Part # | Description | Price |
|---------|---|----------|
| 162177 | Cordset, TranSend, pre-wired for use with single channel transmitters or non-relay based receivers | \$145.00 |
| 164865 | Cable, 4 m, one-channel, mV/V output, LC input | \$145.00 |
| 165648 | Cable, 5 m, one-channel, mV/V output, LC input | \$175.00 |
| 165651 | Cable, 10 m, one-channel, mV/V output, LC input | \$240.00 |
| 162184 | Load cell connector, TranSend, field wireable, 4 to 6 mm straight. For use with single channel transmitters and all receivers. | \$65.00 |
| 162185 | Load cell connector, TranSend, field wireable, 6 to 8 mm straight. For use with single channel transmitters and all receivers. | \$65.00 |
| 162186 | Load cell connector, TranSend, field wireable, 4 to 6 mm right angle. For use with single channel transmitters and all receivers. | \$65.00 |
| 162187 | Load cell connector, TranSend, field wireable, 6 to 8 mm right angle. For use with single channel transmitters and all receivers. | \$65.00 |
| 145084 | Cable, 2 m, one-channel, analog output | \$64.00 |
| 144400 | Cable, 5 m, one-channel, analog output | \$100.00 |
| 168903 | Cable, 10 m, one-channel, analog output | \$160.00 |
| Consult | Straight connector, analog output, field wire able, 4 to 6 mm OD | Consult |
| Consult | Straight connector, analog output, field wire able, 6 to 8 mm OD | Consult |
| Consult | Right angle connector, analog output, field wire able, 4 to 6 mm OD | Consult |
| Consult | Right angle connector, analog output, field wire able, 6 to 8 m OD | Consult |
| 162172 | Charger, TranSend™ for 6 V SLA battery | \$73.00 |
| 162173 | Battery, TranSend 6 V SLA | \$145.00 |
| 162175 | Enclosure, TranSend for 6 V SLA battery | \$365.00 |
| 160109 | AC adapter, TranSend 6 V | \$62.00 |
| 143531 | Power cord, 6 V SLA battery charger EU | \$33.00 |
| 143533 | Power cord, 6 V SLA battery charger, Australia | \$54.00 |
| 143534 | Power cord, 6 V SLA battery charger, UK | \$49.00 |
| 160110 | 265 VAC to 6 VDC wall adapter US/UK/EU/AUS/China | \$62.00 |
| 162178 | Antenna extension kit, 6 ft coax cable | \$510.00 |
| 144345 | 30 m coaxial cable, for use with non-vehicle mount antenna kits | \$480.00 |
| 139313 | Antenna kit, vehicle mount. 5 dbi with 5 m coaxial cable | \$160.00 |
| 150964 | RS-232 13 ft (4 m) serial cable with nine-pin (female) connector | \$210.00 |
| 150965 | RS-232 13 ft (4 m) serial cable with nine-pin (male) connector | \$180.00 |
| 145085 | RS-232 serial cable, unterminated | \$145.00 |

INDICATORS /
CONTROLLERS

TranSend™ MSI-7000HD

Wireless Load Cell Interface System



Part Number/Price

| Part # | Description | Est. Weight | Price |
|-------------------------------|--|-------------|------------|
| Transmitters | | | |
| 7-36 VDC Power Input | | | |
| 177944 | Four-channel 7 to 36 VDC, three coil relays, 802.15.4 | | \$2,350.00 |
| 177997 | Four-channel 7 to 36 VDC, three coil relays, Wi-Fi | | \$2,350.00 |
| 9-36 VDC Power Input | | | |
| 177945 | Four-channel 9 to 36 VDC isolated, three coil relays, 802.15.4 | | \$2,450.00 |
| 177998 | Four-channel 9 to 36 VDC isolated, three coil relays, Wi-Fi | | \$2,475.00 |
| 85-265 VAC Power Input | | | |
| 177942 | Four-channel 85 to 265 VAC, three coil relays, 802.15.4 | | \$2,400.00 |
| 177995 | Four-channel 85 to 265 VAC, three coil relays, Wi-Fi | | \$2,425.00 |

Options/Accessories

| Part # | Description | Price |
|--------|---|------------|
| 187424 | Dual XBee option kit for 7000HD with TNC antenna | \$210.00 |
| 162178 | Antenna extension kit, 6 ft coax cable | \$510.00 |
| 144345 | 30 m coaxial cable, for use with non-vehicle mount antenna kits | \$480.00 |
| 139313 | Antenna kit, vehicle mount. 5 dbi with 5 m coaxial cable | \$160.00 |
| 148624 | RS-232/RS-485 serial cable | \$140.00 |
| 143348 | Cordset IP68 5-pin male | \$135.00 |
| 141263 | 12V Battery Half Plate, requires separate power cable | \$1,550.00 |

Standard Features

- Works with any basic digital weight indicator
- Excitation to load cell(s) provided by the transmitter, not the indicator
- Each transmitter/receiver set is individually paired
- Serial communication cable included with all transmitters
- IP68 milled aluminum enclosure

Options

(Contact MSI for application consultation)

- Multiple antennas

Specifications

Power:

7 to 36 VDC, 9 to 36 VDC, 85 to 265 VAC

Excitation Voltage:

Transmitter: +4.8 VDC, 16 × 350 ohm or 32 × 700 ohm load cells

Standard Antenna:

1/2 wave 2dBi, articulated

Frequency:

Direct sequence spread spectrum at 2.4 GHz, 802.15.4

Effective Range:

Typically 100 to 300 ft, line of sight; for longer range consult factory

Communication Ports:

Full duplex RS-232

Circuit Protection:

RFI, EMI, ESD protection

Temperature:

Operating:
-40 °F to 185 °F (-40 °C to 85 °C)

Rating/Material:

IP68, milled aluminum enclosure

Additional RF Options:

Wi-Fi
802.15.4
FHSS

Warranty:

One-year limited

INDICATORS / CONTROLLERS

TranSend™ MSI-7001HD

Wireless Load Cell Interface System



INDICATORS /
CONTROLLERS

Part Number/Price

| Part # | Description | Est. Weight | Price |
|--------------------------|--|-------------|------------|
| Transmitters | | | |
| 5-6 VDC | | | |
| 178010 | Two-channel 5 to 6 VDC, 802.15.4 | | \$1,325.00 |
| 178018 | Two-channel 5 to 6 VDC, Wi-Fi | | \$1,425.00 |
| 7-36 VDC | | | |
| 178011 | Two-channel 7 to 36 VDC, 802.15.4 | | \$1,400.00 |
| 178019 | Two-channel 7 to 36 VDC, Wi-Fi | | \$1,425.00 |
| 9-36 VAC Isolated | | | |
| 178012 | Two-channel 9 to 36 VDC isolated, 802.15.4 | | \$1,425.00 |
| 178020 | Two-channel 9 to 36 VDC isolated, Wi-Fi | | \$1,500.00 |
| 85-265 VAC | | | |
| 178021 | Two-channel 85 to 265 VAC, 802.15.4 | | \$1,450.00 |
| 178017 | Two-channel 85 to 265 VAC, Wi-Fi | | \$1,475.00 |

Options/Accessories

| Part # | Description | Price |
|--------|---|----------|
| 162172 | Charger, TranSend™ for 6 V SLA battery | \$73.00 |
| 162173 | Battery, TranSend 6V SLA | \$145.00 |
| 162175 | Enclosure, TranSend for 6V SLA battery | \$365.00 |
| 160109 | AC adapter, TranSend 6V | \$62.00 |
| 143531 | Power cord, 6 V SLA battery charger EU | \$33.00 |
| 143533 | Power cord, 6 V SLA battery charger, Australia | \$54.00 |
| 143534 | Power cord, 6 V SLA battery charger, UK | \$49.00 |
| 160110 | 265 VAC to 6 VDC wall adapter US/UK/EU/AUS/China | \$62.00 |
| 162178 | Antenna extension kit, 6 ft coax cable | \$510.00 |
| 144345 | 30 m coaxial cable, for use with non-vehicle mount antenna kits | \$480.00 |
| 139313 | Antenna kit, vehicle mount. 5 dbi with 5 m coaxial cable | \$160.00 |
| 148624 | RS-232/RS-485 serial cable | \$140.00 |
| 143348 | Cordset IP68, 5-pin | \$135.00 |

Standard Features

- Works with any basic digital weight indicator
- Excitation to load cell(s) provided by the transmitter, not the indicator
- Each transmitter/receiver set is individually paired
- Serial communication cable included with all transmitters
- IP68 milled aluminum enclosure

(Contact MSI for application consultation)

Specifications

Power:

5 to 6 VDC, 7 to 36 VDC, 9 to 36 VDC, 85 to 265 VAC

Excitation Voltage:

Transmitter: +4.8 VDC, 16 × 350 ohm or 32 × 700 ohm load cells

Standard Antenna:

1/2 wave 2dBi, articulated

Frequency:

Direct sequence spread spectrum at 2.4 GHz, 802.15.4

Effective Range:

Typically 100 to 300 ft, line of sight; for longer range consult factory

Communication Ports:

Full duplex RS-232

Circuit Protection:

RFI, EMI, ESD protection

Temperature:

Operating: -40 °F to 185 °F (-40 °C to 85 °C)

Rating/Material:

IP68, milled aluminum enclosure

Additional RF Options:

Wi-Fi
802.15.4
FHSS

Warranty:

One-year limited



Standard Features

- Works with any basic digital weight indicator
- Excitation to load cell(s) provided by the transmitter, not the indicator
- Each transmitter/receiver set is individually paired and will not interfere with another set
- RS-232 cable included with transmitter and paired set

Specifications

Power:

5 to 6 VDC

Excitation Voltage:

Transmitter: +4.8 VDC, 16 × 350 ohm or
32 × 700 ohm load cells

Standard Antenna:

1/2 wave 2dBi, articulated

Frequency:

Direct sequence spread spectrum at 2.4 GHz,
802.15.4 license free

Effective Range:

Typically 100 to 300 ft
For longer range, consult factory

Circuit Protection:

RFI, EMI, ESD protection

Communication Ports

Full duplex RS-232

Temperature:

-40 °F to 185 °F (-40 °C to 85 °C)

Rating/Material:

NEMA Type4 (IP66), aluminum black powder coated
(excludes wall cube model)

Warranty:

Two-year limited

Part Number/Price

| Part # | Description | Est. Weight | Price |
|-------------------------------|--|-------------|------------|
| Transmitters | | | |
| 5 to 6 VDC Power Input | | | |
| 160331 | Single-channel transmitter, 5 to 6 VDC no relays. RF 802.15.4, 2.4 GHz 5 to 6 VDC | 2 lb | \$1,050.00 |
| Receivers | | | |
| 5 to 6 VDC Power Input | | | |
| 160338 | Receiver to provide a mV signal to a digital weight indicator. RF 802.15.4, 2.4 GHz 5 to 6 VDC power pnt | 2 lb | \$1,125.00 |
| Paired Set | | | |
| 5 to 6 VDC Power Input | | | |
| 165312 | Includes one single-channel transmitter and one receiver, paired. Includes an RS-232 cable, a 2 m load cell cable and 2 m indicator cable/power source sold separately | 5 lb | \$2,275.00 |

Options/Accessories

| Part # | Description | Price |
|--------|--|----------|
| 162172 | Charger, SendIt 6 V SLA battery | \$73.00 |
| 162173 | Battery, SendIt 6 V SLA | \$145.00 |
| 162175 | Enclosure, SendIt for 6 V SLA battery | \$365.00 |
| 145548 | Cord set, 13 ft (4 m) | Consult |
| 150964 | RS-232 13 ft (4 m) serial cable with nine-pin (female) connector | \$210.00 |
| 150965 | RS-232 13 ft (4 m) serial cable with nine-pin (male) connector | \$180.00 |
| 160109 | AC adapter, SendIt 6V | \$62.00 |
| 162177 | Cordset. Pre-wired for use with single channel transmitters or non-relay based receivers | \$145.00 |
| 162184 | Load cell connector. Field wireable, 4 to 6 mm straight. For use with single channel transmitters | \$65.00 |
| 162185 | Load cell connector. Field wireable, 6 to 8 mm straight. For use with single channel transmitters | \$65.00 |
| 162186 | Load cell connector. Field wireable, 4 to 6 mm right angle. For use with single channel transmitters | \$65.00 |
| 162187 | Load cell connector. Field wireable, 6 to 8 mm right angle. For use with single channel transmitters | \$65.00 |
| 162178 | Antenna kit, remote standard antenna, 5 ft | \$510.00 |



Paired Radios

Standard Features

- Durable industrial-grade enclosure with mounting flanges
- Reliable communications up to 115 to 200 kbps
- Supports point-to-point and point-to-multipoint applications

Specifications

Power:

Input: 7 to 18 VDC
Output: 5 to 1,000 mW variable

Frequency Band:

902 to 928 MHz

Modulation:

FHSS FSK

Interface:

Standard: RS-232
ConnexLink PRO: RS-485

Serial Interface Data Rate:

Up to 115 to 200 kbps

Current Draw (at 12 VDC):

RF: Standard Connexlinks: 400 mA
Pro: 325 mA TX, 20 mA RX

Power Supply:

AC transformer via 6 ft cable (183 cm)

Electrical Requirements:

Line voltage 100 to 120 V; frequency 50/60 Hz
(240 V outside the US)

Channels:

32 selectable channels

Security:

1-byte system ID, DES

Sensitivity:

-99dB at full RF data rate

Range (line-of-sight):

Up to 20 miles (32 km)

Dimensions:

4.75 × 2.75 × 1.17 in
(121 × 70 × 30 mm)

Temperature:

-40 °F to 176 °F (-40 °C to 80 °C)

Humidity:

10% to 90% non-condensing

Weight:

< 6 oz (< 170 g)

Antenna Connector:

Reverse polarity SMA jack (female)

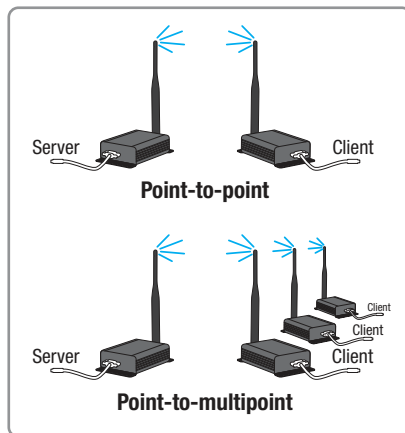
Part Number/Price

| Part # | Description | Price |
|--------|--|------------|
| 86134 | ConnexLink RF device 900 MHz RF device server/client (requires minimum of 2) | \$365.00 |
| 105776 | ConnexLink Pro 900MHz 1W, wireless transceiver with large buffer | \$450.00 |
| 110538 | ConnexLink FRP enclosure with heater | \$1,565.00 |
| 110539 | ConnexLink Pro enclosure with heater | \$1,565.00 |
| 129662 | Paired ConnexLink | \$735.00 |

Options/Accessories

| Part # | Description | Price |
|--------|--|----------|
| 78827 | Power supply, 115 VAC input/6 VDC output | \$65.00 |
| 103979 | Antenna 1/2 Wave, 2dBi, 7 in for 900MHz radios | \$55.00 |
| 119448 | Yagi antenna | \$165.00 |
| 119449 | Cable, Yagi antenna 20 ft* | \$95.00 |
| 22436 | RS-232 nine-pin female to blunt end | \$70.00 |
| 98084 | DC power cable option | \$15.75 |

*max length per manufacturer specs





Standard Features

- Serial and Ethernet connectivity
- Configures as 802.11 a/b/g access point, wireless bridge, wireless repeater and client
- Secure WPA2/128 bit encryption
- Dual band 2.4 GHz or 5 GHz bands
- Robust design for extreme temperatures (-40 °C to 75 °C) high vibration/shock and hazardous locations (UL Class 1, Division 2, Atex Zone 2)

Specifications

Frequency Band (varies by country):

- 2.412 GHz to 2.462 GHz (FCC)
- 2.412 GHz to 2.472 GHz (ETSI)
- 5.150 GHz to 5.250 GHz (FCC/ETSI)
- 5.725 GHz to 5.850 GHz (FCC)

Wireless Standards:

802.11a, 802.11b, 802.11g and 802.11i

Programmable (varies by country):

- 2.4 GHz: up to 100 mW (20 dBm)
- 5 GHz: up to 64 mW (18 dBm)

Channel Data Rates (modulation):

- 802.11b, 11, 5.5, 2, 1 Mbps (DSSS, BPSK, QPSK, CCK)
- 802.11g: 54, 48, 36, 24, 18, 12, 9, 6 Mbps (OFDM)
- 802.11a: 54, 48, 36, 24, 18, 9, 6 Mbps (OFDM)

Receiver Sensitivity (Typical):

- 90 dBm at 1 Mbps
- 85 dBm at 11 Mbps
- 82 dBm at 24 Mbps
- 75 dBm at 54 Mbps

Channels Selection (varies by country):

1 to 13 (802.11a)

Security:

WPA2 - 802.11i with 128 bit AES-CCM legacy WPA TKIP, WEP support MAC ID filter, admin password

Part Number/Price

| Part # | Description | Price |
|--------|--|------------|
| 166630 | Industrial hot spot, 802.11abg* | \$2,155.00 |
| 161954 | Industrial hot spot in FRP enclosure* | \$3,195.00 |
| 161955 | Paired radios for serial data tunneling* | \$4,325.00 |

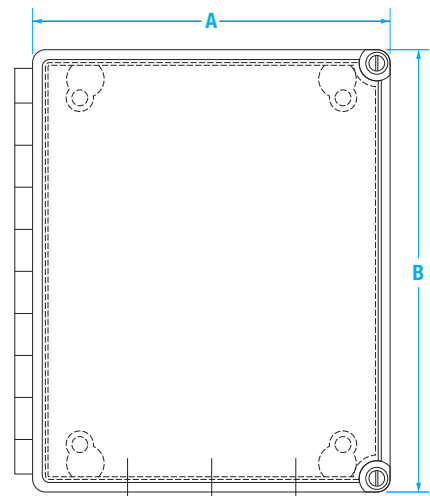
*Special ordered power supplies and antennas required

Dimensions

| FRP Enclosure | | | |
|---------------|-----------------|---|------------------|
| A | 8.5 in (216 mm) | B | 10.5 in (267 mm) |



161954 Industrial Hot Spot



Visible Lights and Audible Alarms



Blue strobe
(reference photo only)

Product may vary from photo



Buzzer
(reference photo only)

Part Number/Price

| Part # | Description | Price |
|--|------------------------------------|----------|
| Visible Lights and Audible Alarms | | |
| 22838 | Buzzer, 80 dB, steady | \$145.00 |
| 22839 | Buzzer, 80 dB, pulse | \$145.00 |
| 156106 | Buzzer box, 115 VAC, FRP enclosure | \$795.00 |
| 43931 | Strobe lights, red | \$225.00 |
| 43930 | Strobe lights, amber | \$225.00 |

Manual Pushbuttons/Pushbutton Switches



- Key switches
- Lighted pushbuttons
- Pilot lights
- Two- and three-position switches
- Colored pushbuttons
- Emergency stop mushroom switches
- Custom legend plates

Part Number/Price

| Part # | Description | Price |
|---|---|---------|
| Manual Pushbuttons/Pushbutton Switches | | |
| N/A | Operator and contact block combinations | Consult |

Nanostation



- Ethernet wireless bridge
- 5 GHz operating frequency
- RJ45 network interface
- PoE 2-pair (4, 5+; 7, 8 return) power method
- 24 V, 0.3 A gigabit PoE supply included
- 22 to 27 VDC voltage range
- Temperature: -40 °F to 158 °F (-40 °C to 70 °C)
- Humidity: 5% to 95% noncondensing

Part Number/Price

| Part # | Description | Price |
|--------|-------------|----------|
| 204477 | Nanostation | \$395.00 |

Tripp-Lite USB to Serial Converter/Adapter

Serial Adapters



Standard Features

- Portable design—no AC power required
- Simple plug-and-play setup
- Supports data transfer rates of more than 500 kbps
- Hot swappable

Specifications

Data Transfer Rate:

More than 500 kbps

LED:

Data transfer/handshaking (orange)

Power Consumption:

450 Mw USB

Specifications:

V1.1 compliant

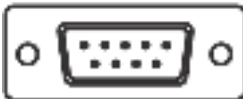
INDICATORS /
CONTROLLERS

Part Number/Price

| Part # | Description | Est. Weight | Price |
|--------|--|-------------|---------|
| 178501 | Adapter,USB Serial FTDI US232R-100, 3.28 ft, iDim Series for use with RLWS indicator and Postal Scales | - | \$60.00 |
| 22436 | Cable DB9F to blunt end, 6 ft | 1 lb | \$70.00 |

DB-9 PIN Assignments:

| PIN | Assignment | PIN | Assignment |
|-----|------------|-----|------------|
| 1 | CD | 6 | DSR |
| 2 | RXD | 7 | RTS |
| 3 | TXD | 8 | CTS |
| 4 | DTR | 9 | RI |
| 5 | GND | | |



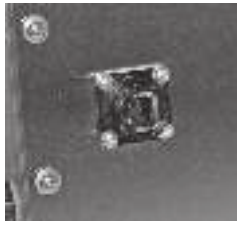
DB9 (Male) Connector



Type A USB Connector

Amphenol® RJF 544

Harsh Environment Ethernet Connection System



INDICATORS /
CONTROLLERS

Part Number/Price

| Part # | Description | Price |
|--------|--|----------|
| 87326 | RJF 544 kit | \$200.00 |
| 87285 | Square flange female connector | \$45.00 |
| 87286 | Dust cap for harsh environment receptacles | \$55.00 |
| 87287 | Gasket for harsh environment receptacles | \$5.25 |
| 87288 | Ethernet plug | \$45.00 |
| 87289 | Dust cap for harsh environment plugs | \$65.00 |

Standard Features

- Allows an Ethernet Class D/Category 5e connection for 10Base-T, 100Base-TX, or 1000Base-T networks in harsh environments
- Sealed against fluids and dusts (IP67)
- Shock, vibration and traction resistant
- No cabling operation in the field
- No tools required
- Improved EMI protection
- Uses a standard RJ-45 cordset in protective composite plug to protect from shocks, dust and fluids
- In-field cabling and grounding not necessary

Specifications

Data Transmission:

10Base-T, 100Base-TX and 1000Base-T networks
Category 5e per TIA/EIA 568B and ClassD per ISO/IEC 11801

Mechanical:

Quick push/pull coupling
RJ-45 cordset retention in the plug: 100N in the axis
Mating cycles: 500 min

Environmental Protection:

Sealing: IP67
Salt Spray: > 1000h
Fire retardant/low smoke: UL94 V0 and NFF 16 16102, DIN 5510-2
Vibrations: 10 to 500 Hz, 10g, 3 axes:
no discontinuity > 10 nanos
Thermal Shock: 5 cycles at -40 °C / +100 °C

Temperature:

Operating:
-40 °F to 185 °F (-40 °C to 85 °C)

Applications:

Telecom equipment, video control, robotics,
industrial process control, CNC machines, motion
control, tele-maintenance



Standard Features

- Converts serial data such as bar code reader or scale into keyboard input to software program
- Works with PC and MAC® computers
- Requires no driver installation (identifies itself as additional HID keyboard)
- Cable draws power from USB port (no external power supply needed)
- Test cable to be connected with adapter scale cable or connector
- Bluetooth® version allows connection to devices like iPad®, Android® tablets and smart cell phones

Specifications

- Power:**
USB power, no external power supply
- Baud Rate:**
9600
- Color:**
Black
- Cable Length:**
74 in (1,880 mm)
- Bluetooth Cable Length:**
16 in (406 mm)
- Host:**
PC and MAC compliant
- Connection:**
DB9 male connector, Pin 2 RX, Pin 3 TX and Pin 5 Ground
USBA connector

INDICATORS / CONTROLLERS

Part Number/Price

| Part # | Description | Est. Weight | Price |
|--------|---|-------------|----------|
| 119919 | RS-232/USB serial cable | 1 lb | \$190.00 |
| 132452 | RS-232/USB serial cable plus Bluetooth® | 1 lb | \$275.00 |

Options/Accessories

| Part # | Description | Price |
|--------|--|---------|
| 119064 | Slimline null modem, gender changer DB9 female to female | \$12.50 |
| 22436 | Blunt-end to DB9 female, straight cable | \$70.00 |
| 50749 | DB9 female to DB9 female | \$60.00 |
| 130789 | Null model DB9 adapter female to male | \$14.50 |



Standard Features

- LED onboard for testing data transmission
- Captures data and stores it on a USB flash drive (up to 8 GB not included)
- Transfer data to your PC using the USB flash drive
- Text file examples (actual text will be dependent on transmitted file)
- 02:50PM
11/13/2012
GROSS 58 lb
- 02:50PM
11/13/2012
GROSS 68 lb

Specifications

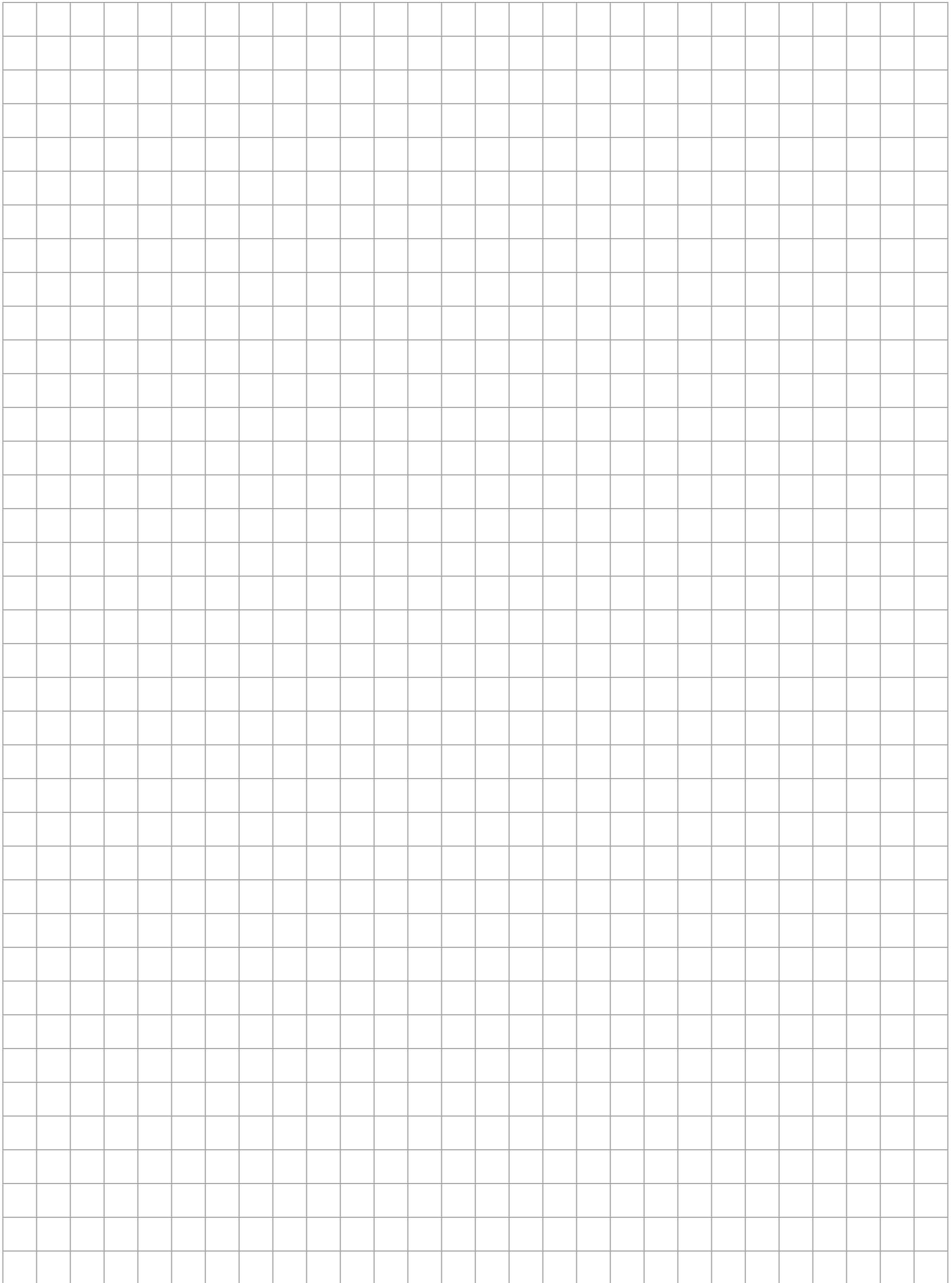
- Power:**
Requires 5 VDC
- Baud Rate:**
9600
- Data Bits:**
8
- Parity:**
None
- Customer Supplied:**
Power and USB flash drive
- Industrial Enclosure Option:**
7.5 × 7.5 × 4.5 in
(19 × 19 × 12 cm)
Latch for lock
- Warranty:**
One-year limited

Part Number/Price

| Part # | Description | Price |
|--------|--|----------|
| 153265 | go-between board | \$435.00 |
| 153266 | go-between industrial enclosure | \$630.00 |
| 153267 | go-between desk enclosure | \$525.00 |
| 158778 | go-between desk enclosure, EU power supply | \$525.00 |

Options and Accessories

| Part # | Description | Price |
|--------|---|---------|
| 154797 | Adapter, power 5 VDC 2A 90-264 VAC, U.S. plug, UL/cUL | \$37.00 |
| 170935 | Overlay, desk | \$79.00 |



In-Motion Weighing

TABLE OF CONTENTS

| | |
|--|------------|
| ELS Series | 604 |
| <i>Elevated Load Cell Stands</i> | |
| MotoWeigh® IMW | 606 |
| <i>In-Motion Conveyor Scale and Checkweigher</i> | |
| MotoWeigh® Metal Detector | 611 |
| MotoWeigh® Cascade Checkweigher | 613 |
| <i>Gravity Drop Checkweigher</i> | |
| MotoWeigh® Integrator | 613 |
| A&D Inspection | 614 |
| <i>In-Motion Checkweigher and Metal Detector</i> | |
| RT-M | 616 |
| <i>Roller Top Scale</i> | |

The following product names, logos, brands and other trademarks featured or referred to within this publication are the property of their respective trademark holders.

ELS Series

Elevated Load Cell Stands



Mild Steel ELS

Standard Features

- Adjustable height and width in 1-inch increments
- Mild or stainless steel frame
- Individual load cell overload protection
- Jack bolts in leveling feet for easy conveyor height alignment
- Kit includes: two stands, load cells, junction box, two adjustable stabilizing braces, leveling shims and hardware

Options

- Mild or stainless steel indicator stand
- Additional single ELS weigh stand
- Additional stabilizing brace kit

**Rollers and conveyors are not included and are from other manufacturers*

Specifications

Load Cell:

Four RL32018 or RL32018S single-ended beam:
250 lb, 500 lb and 1,000 lb capacity

Cable Length:

25 ft

Warranty:

Two-year limited

Approvals:

Load cells are FM approved

Part Number/Price

| Part # | Length | Width | Height | Price |
|--|-------------|-------------|-------------|------------|
| Mild Steel - Overall Product Dimensions | | | | |
| ELS-250 Kit (Load Rating 500 lbs) | | | | |
| 212655 | 30 to 60 in | 22 to 28 in | 22 to 28 in | \$3,900.00 |
| 212656 | 30 to 60 in | 22 to 28 in | 29 to 36 in | \$3,900.00 |
| 212659 | 30 to 60 in | 29 to 40 in | 22 to 28 in | \$3,950.00 |
| 212660 | 30 to 60 in | 29 to 40 in | 29 to 36 in | \$3,950.00 |
| 212957 | 30 to 60 in | 41 to 58 in | 22 to 28 in | \$3,950.00 |
| 212958 | 30 to 60 in | 41 to 58 in | 29 to 36 in | \$3,950.00 |
| ELS-500 Kit (Load Rating 1,000 lbs) | | | | |
| 212661 | 30 to 60 in | 22 to 28 in | 22 to 28 in | \$3,950.00 |
| 212662 | 30 to 60 in | 22 to 28 in | 29 to 36 in | \$3,950.00 |
| 212663 | 30 to 60 in | 29 to 40 in | 22 to 28 in | \$4,000.00 |
| 212665 | 30 to 60 in | 29 to 40 in | 29 to 36 in | \$4,000.00 |
| 212953 | 30 to 60 in | 41 to 58 in | 22 to 28 in | \$4,000.00 |
| 212954 | 30 to 60 in | 41 to 58 in | 29 to 36 in | \$4,000.00 |
| ELS-1000 Kit (Load Rating 2,000 lbs) | | | | |
| 212666 | 30 to 60 in | 22 to 28 in | 22 to 28 in | \$4,100.00 |
| 212667 | 30 to 60 in | 22 to 28 in | 29 to 36 in | \$4,100.00 |
| 212669 | 30 to 60 in | 29 to 40 in | 22 to 28 in | \$4,150.00 |
| 212670 | 30 to 60 in | 29 to 40 in | 29 to 36 in | \$4,150.00 |
| 212949 | 30 to 60 in | 41 to 58 in | 22 to 28 in | \$4,200.00 |
| 212950 | 30 to 60 in | 41 to 58 in | 29 to 36 in | \$4,200.00 |
| Stainless Steel | | | | |
| ELS-250 Kit (Load Rating 500 lbs) | | | | |
| 213276 | 30 to 60 in | 22 to 28 in | 22 to 28 in | \$6,150.00 |
| 213278 | 30 to 60 in | 22 to 28 in | 29 to 36 in | \$6,250.00 |
| 213280 | 30 to 60 in | 29 to 40 in | 22 to 28 in | \$6,300.00 |
| 213282 | 30 to 60 in | 29 to 40 in | 29 to 36 in | \$6,350.00 |
| 213283 | 30 to 60 in | 41 to 58 in | 22 to 28 in | \$6,450.00 |
| 213284 | 30 to 60 in | 41 to 58 in | 29 to 36 in | \$6,550.00 |
| ELS-500 Kit (Load Rating 1,000 lbs) | | | | |
| 213292 | 30 to 60 in | 22 to 28 in | 22 to 28 in | \$6,200.00 |
| 213293 | 30 to 60 in | 22 to 28 in | 29 to 36 in | \$6,300.00 |
| 213294 | 30 to 60 in | 29 to 40 in | 22 to 28 in | \$6,300.00 |
| 213295 | 30 to 60 in | 29 to 40 in | 29 to 36 in | \$6,400.00 |
| 213296 | 30 to 60 in | 41 to 58 in | 22 to 28 in | \$6,450.00 |
| 213297 | 30 to 60 in | 41 to 58 in | 29 to 36 in | \$6,550.00 |
| ELS-1000 Kit (Load Rating 2,000 lbs) | | | | |
| 213304 | 30 to 60 in | 22 to 28 in | 22 to 28 in | \$6,200.00 |
| 213305 | 30 to 60 in | 22 to 28 in | 29 to 36 in | \$6,300.00 |
| 213306 | 30 to 60 in | 29 to 40 in | 22 to 28 in | \$6,300.00 |
| 213307 | 30 to 60 in | 29 to 40 in | 29 to 36 in | \$6,400.00 |
| 213308 | 30 to 60 in | 41 to 58 in | 22 to 28 in | \$6,450.00 |
| 213309 | 30 to 60 in | 41 to 58 in | 29 to 36 in | \$6,550.00 |

NOTE: Height is the floor to top mounting plate measurement
Width and Height adjustable in 1 inch increments

IN-MOTION
WEIGHING

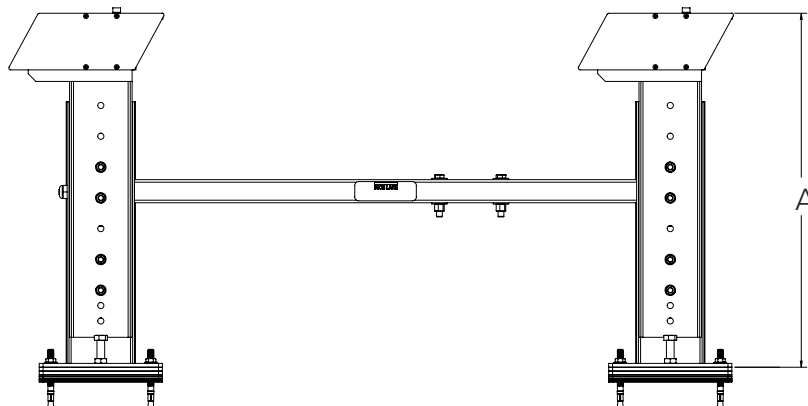
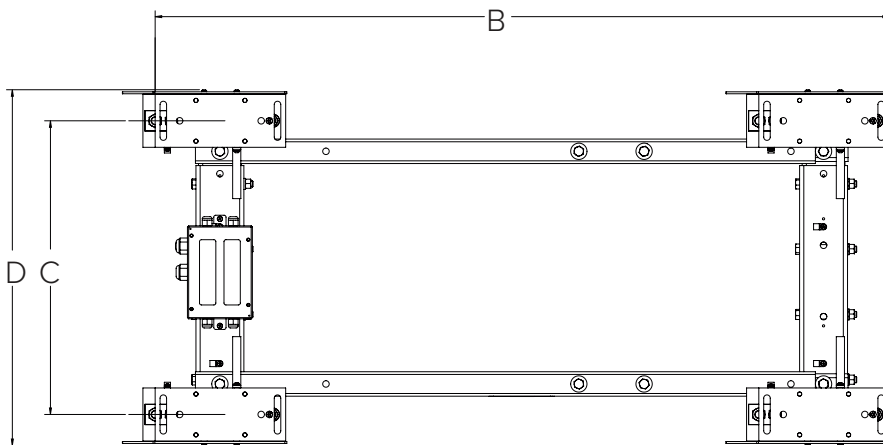
Options/Accessories

| Part # | Description | Price |
|---------|--|----------|
| 19352 | Indicator floor stand mild steel, 36.3 in high | \$250.00 |
| 28740 | Indicator floor stand SST, 36.3 in high | \$340.00 |
| Consult | Single ELS weigh stand | Consult |
| 213229 | Additional stabilizing brace kit mild steel | \$300.00 |
| 213316 | Additional stabilizing brace kit stainless steel | \$550.00 |

Dimensions

| | Kit Variation | Minimum Dimension | Maximum Dimension |
|---|---------------|-------------------|-------------------|
| A | Small | 22 in (55.88 cm) | 28 in (71.12 cm) |
| | Large | 29 in (73.66 cm) | 36 in (91.44 cm) |
| B | All | 30 in (76.20 cm) | 60 in (152.40 cm) |
| C | Small | 17 in (43.18 cm) | 24 in (60.96 cm) |
| | Medium | 25 in (63.50 cm) | 36 in (91.44 cm) |
| D | Small | 22 in (55.88 cm) | 28 in (71.12 cm) |
| | Large | 41 in (104.14 cm) | 58 in (147.32 cm) |

Dimensions A, C and D are adjustable in one inch increments



IN-MOTION
WEIGHING

MotoWeigh® IMW

In-Motion Conveyor Scale and Checkweigher



Approvals



Optional



Optional

Standard Features

Software

- Password protected user logins
- Real-time statistical information
- Product report
- Statistical report
- Parameter report
- User report
- Store up to 1,000 different products
- Five-zone classification

Control Panel

- 1280 controller
- Power disconnect with lock-out/tag-out
- E-stop
- VFD (variable frequency drive)
- Motor overloads

Hardware

- Square tube construction (SST or aluminum)
- 32 in height from top of belt with ± 2.5 in of adjustment
- Modular belting

Options

- Divert methods:
 - Pneumatic pusher
 - Air blast
 - Drop conveyor
 - Paddle
 - Secondary diverter in series or parallel
- One-, three- or five -zone communication tower
- Audible alarm (non-washdown only)
- Draft shields
- Drop chutes
- Pull cord E-stops
- Portability package (non-NTEP Certified only)
- Conveyor guide rails (round or flat)
- Custom programming available
- Food-grade SST angle construction, NEMA Type 4X IP66 washdown systems
- Meets HACCP requirements
- UL 508
- NTEP Certified Legal for Trade (up to 2,000 divisions and 60 ppm)
- Pacing conveyor

Specifications

Construction:

- Stainless steel food-grade
- Stainless steel non-food-grade
- Aluminum non-food-grade

Configurations:

- Checkweigher
- Conveyor scale

Speed:

- Up to 240 ft per minute

Container Types:

- Boxes, bags, pouches, trays, tubs, cups, blister packs, display packs, clam shells

Belts:

- Intralox® Habasit®

Power Configuration:

- 110 VAC single phase, 60 Hz
- 230/460 VAC 3 phase, 60 Hz

Warranty:

- Two-year limited (excludes powertrain and wear parts)

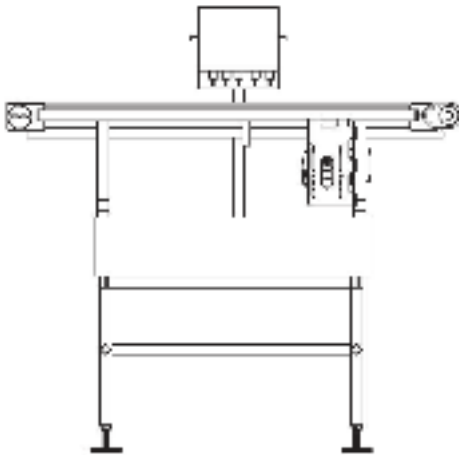
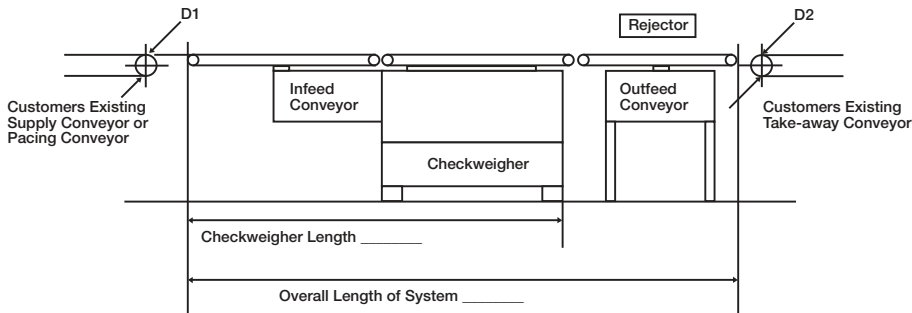
Checkweigher Packages:

- NTEP Certified and non-NTEP Certified packages available in stainless steel and aluminum for food and non-food-grade applications

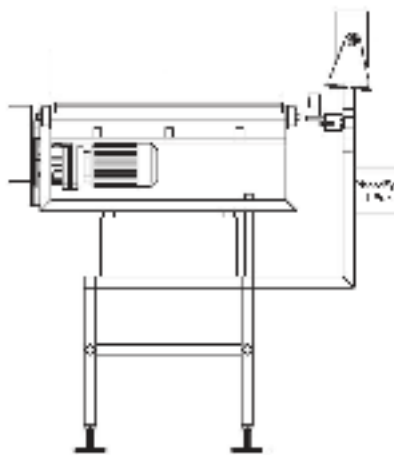
Checkweigher Packages Include:

- Common framework for mounting conveyor scale on same frame as infeed conveyor and indicator
- Basic control enclosure to interconnect wiring from photo eyes and divert solenoid and conveyor on/off/E-stop

IN-MOTION WEIGHING



Side View
Conveyor Scale



End View
Conveyor Scale

Due to the variety of configurations, please consult a sales engineer to discuss application requirements and for complete specifications and price quotations.

Field installation available at pre-determined rates.

Questionnaire available at www.ricelake.com/motoweigh

| Example Conveyor System Sizes and Configurations | | | | | |
|--|-------------|--------------|------------|---|------------------------|
| Configuration | Scale Width | Scale Length | Capacity | PPM | Material |
| Scale Conveyor Only | 6 | 12 | 10, 20 | Min Length: 3 in Max Length (40ppm): 7 in Max Length (75ppm): 3 in | AL, Ind Welded |
| | | | | | SST, Ind Welded |
| | | | | | SST, Food Grade Welded |
| | 6 | 18 | 10, 20 | Min Length: 3 in Max Length (40ppm): 11.5 in Max Length (80ppm): 5 in | AL, Ind Welded |
| | | | | | SST, Ind Welded |
| | | | | | SST, Food Grade Welded |
| | 6 | 24 | 10, 20 | Min Length: 3 in Max Length (40ppm): 15.5 in Max Length (80ppm): 7.5 in | AL, Ind Welded |
| | | | | | SST, Ind Welded |
| | | | | | SST, Food Grade Welded |
| Checkweigher with Linear Thrust Reject Device (Includes: Infeed, scale, and outfeed conveyors. All conveyors same length.) | 6 | 12 | 10, 20 | Min Length: 3 in Max Length (40ppm): 7 in Max Length (75ppm): 3 in | AL, Ind Welded |
| | | | | | SST, Ind Welded |
| | | | | | SST, Food Grade Welded |
| | 6 | 18 | 10, 20 | Min Length: 3 in Max Length (40ppm): 11.5 in Max Length (80ppm): 5 in | AL, Ind Welded |
| | | | | | SST, Ind Welded |
| | | | | | SST, Food Grade Welded |
| | 6 | 24 | 10, 20 | Min Length: 3 in Max Length (40ppm): 15.5 in Max Length (80ppm): 7.5 in | AL, Ind Welded |
| | | | | | SST, Ind Welded |
| | | | | | SST, Food Grade Welded |
| Scale Conveyor Only | 12 | 18 | 10, 20, 40 | Min Length: 3 in (6 in@40 lb) Max Length (40ppm): 11.5 in Max Length (80ppm): 5 in | AL, Ind Welded |
| | | | | | SST, Ind Welded |
| | | | | | SST, Food Grade Welded |
| | 12 | 24 | 10, 20, 40 | Min Length: 3 in (6 in@40 lb) Max Length (40ppm): 15.5 in Max Length (80ppm): 7.5 in | AL, Ind Welded |
| | | | | | SST, Ind Welded |
| | | | | | SST, Food Grade Welded |
| | 12 | 30 | 10, 20, 40 | Min Length: 3 in (6 in@40 lb) Max Length (40ppm): 20 in Max Length (80ppm): 10 in | AL, Ind Welded |
| | | | | | SST, Ind Welded |
| | | | | | SST, Food Grade Welded |
| | 12 | 36 | 10, 20, 40 | Min Length: 3 in (6 in@40 lb) Max Length (35ppm): 25.5 in Max Length (70ppm): 15.5 in | AL, Ind Welded |
| | | | | | SST, Ind Welded |
| | | | | | SST, Food Grade Welded |
| Checkweigher with Linear Thrust Reject Device (Includes: Infeed, scale, and outfeed conveyors. All conveyors same length.) | 12 | 18 | 10, 20, 40 | Min Length: 3 in (6 in@40 lb) Max Length (40ppm): 11.5 in Max Length (80ppm): 5 in | AL, Ind Welded |
| | | | | | SST, Ind Welded |
| | | | | | SST, Food Grade Welded |
| | 12 | 24 | 10, 20, 40 | Min Length: 3 in (6 in@40 lb) Max Length (40ppm): 15.5 in Max Length (80ppm): 7.5 in | AL, Ind Welded |
| | | | | | SST, Ind Welded |
| | | | | | SST, Food Grade Welded |
| | 12 | 30 | 10, 20, 40 | Min Length: 3 in (6 in@40 lb) Max Length (40ppm): 20 in Max Length (80ppm): 10 in | AL, Ind Welded |
| | | | | | SST, Ind Welded |
| | | | | | SST, Food Grade Welded |
| | 12 | 36 | 10, 20, 40 | Min Length: 3 in (6 in@40 lb) Max Length (35ppm): 25.5 in Max Length (70ppm): 15.5 in | AL, Ind Welded |
| | | | | | SST, Ind Welded |
| | | | | | SST, Food Grade Welded |

IN-MOTION WEIGHING

MotoWeigh® IMW

In-Motion Conveyor Scale and Checkweigher

Example Conveyor System Sizes and Configurations

| Configuration | Scale Width | Scale Length | Capacity | PPM | Material |
|--|-------------|--------------|---|---|------------------------|
| Scale Conveyor Only | 18 | 24 | 20, 40, 100 | Min Length: 6 in (3 in@20 lb) Max Length (40ppm): 15.5 in Max Length (80ppm): 7.5 in | AL, Ind Welded |
| | | | | | SST, Ind Welded |
| | | | | | SST, Food Grade Welded |
| | 18 | 30 | 20, 40, 100 | Min Length: 6 in (3 in@20 lb) Max Length (40ppm): 20 in Max Length (80ppm): 10 in | AL, Ind Welded |
| | | | | | SST, Ind Welded |
| | | | | | SST, Food Grade Welded |
| | 18 | 36 | 20, 40, 100 | Min Length: 6 in (3 in@20 lb) Max Length (35ppm): 25.5 in Max Length (70ppm): 15.5 in | AL, Ind Welded |
| | | | | | SST, Ind Welded |
| | | | | | SST, Food Grade Welded |
| | 18 | 42 | 20, 40, 100 | Min Length: 6 in (3 in@20 lb) Max Length (30ppm): 32 in Max Length (60ppm): 22 in | AL, Ind Welded |
| | | | | | SST, Ind Welded |
| | | | | | SST, Food Grade Welded |
| | 18 | 48 | 20, 40, 100 | Min Length: 6 in (3 in@20 lb) Max Length (30ppm): 36.5 in Max of 54ppm | AL, Ind Welded |
| | | | | | SST, Ind Welded |
| | | | | | SST, Food Grade Welded |
| Checkweigher with Linear Thrust Reject Device (Includes: Infeed, scale, and outfeed conveyors. All conveyors same length.) | 18 | 24 | 20, 40, 100 | Min Length: 6 in (3 in@20 lb) Max Length (40ppm): 15.5 in Max Length (80ppm): 7.5 in | AL, Ind Welded |
| | | | | | SST, Ind Welded |
| | | | | | SST, Food Grade Welded |
| | 18 | 30 | 20, 40, 100 | Min Length: 6 in (3 in@20 lb) Max Length (40ppm): 20 in Max Length (80ppm): 10 in | AL, Ind Welded |
| | | | | | SST, Ind Welded |
| | | | | | SST, Food Grade Welded |
| | 18 | 36 | 20, 40, 100 | Min Length: 6 in (3 in@20 lb) Max Length (35ppm): 25.5 in Max Length (70ppm): 15.5 in | AL, Ind Welded |
| | | | | | SST, Ind Welded |
| | | | | | SST, Food Grade Welded |
| | 18 | 42 | 20, 40, 100 | Min Length: 6 in (3 in@20 lb) Max Length (30ppm): 32 in Max Length (60ppm): 22 in | AL, Ind Welded |
| | | | | | SST, Ind Welded |
| | | | | | SST, Food Grade Welded |
| | 18 | 48 | 20, 40, 100 | Min Length: 6 in (3 in@20 lb) Max Length (30ppm): 36.5 in Max of 54ppm | AL, Ind Welded |
| | | | | | SST, Ind Welded |
| | | | | | SST, Food Grade Welded |
| Scale Conveyor Only | 24 | 30 | 40, 100 | Min Length: 6 in Max Length (40ppm): 20 in Max Length (80ppm): 10 in | AL, Ind Welded |
| | | | | | SST, Ind Welded |
| | | | | | SST, Food Grade Welded |
| | 24 | 36 | 40, 100 | Min Length: 6 in Max Length (35ppm): 25.5 in Max Length (70ppm): 15.5 in | AL, Ind Welded |
| | | | | | SST, Ind Welded |
| | | | | | SST, Food Grade Welded |
| | 24 | 42 | 40, 100 | Min Length: 6 in Max Length (30ppm): 32 in Max Length (60ppm): 22 in | AL, Ind Welded |
| | | | | | SST, Ind Welded |
| | | | | | SST, Food Grade Welded |
| | 24 | 48 | 40, 100 | Min Length: 6 in Max Length (30ppm): 36.5 in Max of 54ppm | AL, Ind Welded |
| | | | | | SST, Ind Welded |
| | | | | | SST, Food Grade Welded |
| | 24 | 54 | 40, 100 | Min Length: 6 in Max Length (30ppm): 41.5 in Max of 48ppm | AL, Ind Welded |
| | | | | | SST, Ind Welded |
| | | | | | SST, Food Grade Welded |
| 24 | 60 | 40, 100 | Min Length: 6 in Max Length (30ppm): 46 in Max of 44ppm | AL, Ind Welded | |
| | | | | SST, Ind Welded | |
| | | | | SST, Food Grade Welded | |

IN-MOTION WEIGHING

| Example Conveyor System Sizes and Configurations | | | | | | |
|--|--|--------------|----------|--|--|------------------------|
| Configuration | Scale Width | Scale Length | Capacity | PPM | Material | |
| Checkweigher with Linear Thrust Reject Device (Includes: Infeed, scale, and outfeed conveyors. All conveyors same length.) | 24 | 30 | 40, 100 | Min Length: 6 in Max Length (40ppm): 20 in Max Length (80ppm): 10 in | AL, Ind Welded | |
| | | | | | SST, Ind Welded | |
| | | | | | SST, Food Grade Welded | |
| | 24 | 36 | 40, 100 | Min Length: 6 in Max Length (35ppm): 25.5 in Max Length (70ppm): 15.5 in | AL, Ind Welded | |
| | | | | | SST, Ind Welded | |
| | | | | | SST, Food Grade Welded | |
| | 24 | 42 | 40, 100 | Min Length: 6 in Max Length (30ppm): 32 in Max Length (60ppm): 22 in | AL, Ind Welded | |
| | | | | | SST, Ind Welded | |
| | | | | | SST, Food Grade Welded | |
| | 24 | 48 | 40, 100 | Min Length: 6 in Max Length (30ppm): 36.5 in Max of 54ppm | AL, Ind Welded | |
| | | | | | SST, Ind Welded | |
| | | | | | SST, Food Grade Welded | |
| | 24 | 54 | 40, 100 | Min Length: 6 in Max Length (30ppm): 41.5 in Max of 48ppm | AL, Ind Welded | |
| | | | | | SST, Ind Welded | |
| | | | | | SST, Food Grade Welded | |
| | 24 | 60 | 40, 100 | Min Length: 6 in Max Length (30ppm): 46 in Max of 44ppm | AL, Ind Welded | |
| | | | | | SST, Ind Welded | |
| | | | | | SST, Food Grade Welded | |
| Scale Conveyor Only | 30 | 36 | 100, 200 | Min Length: 6 in Max Length (35ppm): 25.5 in Max Length (70ppm): 15.5 in | AL, Ind Welded | |
| | | | | | SST, Ind Welded | |
| | | | | | SST, Food Grade Welded | |
| | 30 | 42 | 100, 200 | Min Length: 6 in Max Length (30ppm): 32 in Max Length (60ppm): 22 in | AL, Ind Welded | |
| | | | | | SST, Ind Welded | |
| | | | | | SST, Food Grade Welded | |
| | 30 | 48 | 100, 200 | Min Length: 6 in Max Length (30ppm): 36.5 in Max of 54ppm | AL, Ind Welded | |
| | | | | | SST, Ind Welded | |
| | | | | | SST, Food Grade Welded | |
| | 30 | 54 | 100, 200 | Min Length: 6 in Max Length (30ppm): 41.5 in Max of 48ppm | AL, Ind Welded | |
| | | | | | SST, Ind Welded | |
| | | | | | SST, Food Grade Welded | |
| | 30 | 60 | 100, 200 | Min Length: 6 in Max Length (30ppm): 46 in Max of 44ppm | AL, Ind Welded | |
| | | | | | SST, Ind Welded | |
| | | | | | SST, Food Grade Welded | |
| | Checkweigher with Linear Thrust Reject Device (Includes: Infeed, scale, and outfeed conveyors. All conveyors same length.) | 30 | 36 | 100, 200 | Min Length: 6 in Max Length (35ppm): 25.5 in Max Length (70ppm): 15.5 in | AL, Ind Welded |
| | | | | | | SST, Ind Welded |
| | | | | | | SST, Food Grade Welded |
| 30 | | 42 | 100, 200 | Min Length: 6 in Max Length (30ppm): 32 in Max Length (60ppm): 22 in | AL, Ind Welded | |
| | | | | | SST, Ind Welded | |
| | | | | | SST, Food Grade Welded | |
| 30 | | 48 | 100, 200 | Min Length: 6 in Max Length (30ppm): 36.5 in Max of 54ppm | AL, Ind Welded | |
| | | | | | SST, Ind Welded | |
| | | | | | SST, Food Grade Welded | |
| 30 | | 54 | 100, 200 | Min Length: 6 in Max Length (30ppm): 41.5 in Max of 48ppm | AL, Ind Welded | |
| | | | | | SST, Ind Welded | |
| | | | | | SST, Food Grade Welded | |
| 30 | | 60 | 100, 200 | Min Length: 6 in Max Length (30ppm): 46 in Max of 44ppm | AL, Ind Welded | |
| | | | | | SST, Ind Welded | |
| | | | | | SST, Food Grade Welded | |

IN-MOTION WEIGHING

MotoWeigh® IMW

In-Motion Conveyor Scale and Checkweigher

Example Conveyor System Sizes and Configurations

| Configuration | Scale Width | Scale Length | Capacity | PPM | Material |
|------------------------|--|--------------|----------|--|--|
| Scale Conveyor Only | 36 | 42 | 100, 200 | Min Length: 6 in Max Length (30ppm): 32 in Max Length (60ppm): 22 in | AL, Ind Welded |
| | | | | | SST, Ind Welded |
| | | | | | SST, Food Grade Welded |
| | 36 | 48 | 100, 200 | Min Length: 6 in Max Length (30ppm): 36.5 in Max of 54ppm | AL, Ind Welded |
| | | | | | SST, Ind Welded |
| | | | | | SST, Food Grade Welded |
| | 36 | 54 | 100, 200 | Min Length: 6 in Max Length (30ppm): 41.5 in Max of 48ppm | AL, Ind Welded |
| | | | | | SST, Ind Welded |
| | 36 | 60 | 100, 200 | Min Length: 6 in Max Length (30ppm): 46 in Max of 44ppm | SST, Food Grade Welded |
| | | | | | AL, Ind Welded |
| | | | | | SST, Ind Welded |
| | Checkweigher with Linear Thrust Reject Device (Includes: Infeed, scale, and outfeed conveyors. All conveyors same length.) | 36 | 42 | 100, 200 | Min Length: 6 in Max Length (30ppm): 32 in Max Length (60ppm): 22 in |
| SST, Ind Welded | | | | | |
| SST, Food Grade Welded | | | | | |
| 36 | | 48 | 100, 200 | Min Length: 6 in Max Length (30ppm): 36.5 in Max of 54ppm | AL, Ind Welded |
| | | | | | SST, Ind Welded |
| | | | | | SST, Food Grade Welded |
| 36 | | 54 | 100, 200 | Min Length: 6 in Max Length (30ppm): 41.5 in Max of 48ppm | AL, Ind Welded |
| | | | | | SST, Ind Welded |
| 36 | | 60 | 100, 200 | Min Length: 6 in Max Length (30ppm): 46 in Max of 44ppm | SST, Food Grade Welded |
| | | | | | AL, Ind Welded |
| | | | | | SST, Ind Welded |

Additional configurations, sizes, and capacities are available upon request

IN-MOTION WEIGHING



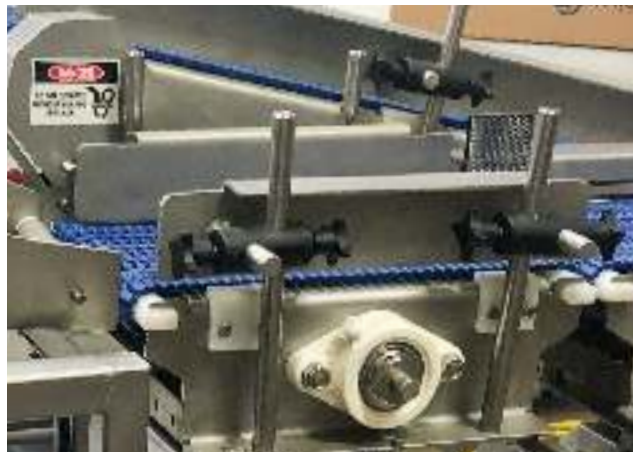
Diverter



Draftshield



Stack light accessory



Guide rails

MotoWeigh® Metal Detector



Approvals



Part Number/Price

| Part # | Main Systems | Price |
|---------|--|---------|
| Consult | Please consult factory for configuration and pricing | Consult |

Options/Accessories

| Part # | Main Systems | Price |
|--------|---|------------|
| 200804 | Caster package, MotoWeigh set of 4 - 2 swivel and 2 fixed casters for MotoWeigh metal detection conveyors | \$4,900.00 |
| 186279 | Information tower includes buzzer | \$1,500.00 |
| 186280 | Remote electronics with up to 100 ft of cable | \$1,315.00 |
| 186281 | AC power conditioner in NEMA Type 4X enclosure | \$3,040.00 |
| 186282 | PLC module for Ethernet IP interface (factory installed only) | \$2,410.00 |
| 186284 | Preventive kit | \$1,010.00 |

Ferrous (Mild Steel) Test Wands

| | | |
|--------|--|---------|
| 168370 | 1.0 mm ferrous (mild steel) test wand | \$19.25 |
| 168383 | 1.2 mm ferrous (mild steel) test wand | \$19.25 |
| 168384 | 1.5 mm ferrous (mild steel) test wand | \$19.25 |
| 168385 | 1.8 mm ferrous (mild steel) test wand | \$19.25 |
| 168386 | 2.0 mm ferrous (mild steel) test wand | \$19.25 |
| 168387 | 2.2 mm ferrous (mild steel) test wand | \$19.25 |
| 168388 | 2.5 mm ferrous (mild steel) test wand | \$19.25 |
| 168389 | 2.8 mm ferrous (mild steel) test wand | \$19.25 |
| 168390 | 3.0 mm ferrous (mild steel) test wand | \$19.25 |
| 168391 | 3.1 mm ferrous (mild steel) test wand | \$19.25 |
| 168392 | 3.25 mm ferrous (mild steel) test wand | \$19.25 |
| 168393 | 3.5 mm ferrous (mild steel) test wand | \$19.25 |
| 168394 | 4.0 mm ferrous (mild steel) test wand | \$19.25 |
| 168395 | 4.5 mm ferrous (mild steel) test wand | \$19.25 |

Non-Ferrous (Brass) Test Wands

| | | |
|--------|--------------------------------------|---------|
| 168411 | 1.0 mm non-ferrous (brass) test wand | \$19.25 |
| 168413 | 1.2 mm non-ferrous (brass) test wand | \$19.25 |
| 168414 | 1.5 mm non-ferrous (brass) test wand | \$19.25 |
| 168415 | 1.8 mm non-ferrous (brass) test wand | \$19.25 |
| 168416 | 2.0 mm non-ferrous (brass) test wand | \$19.25 |
| 168418 | 2.2 mm non-ferrous (brass) test wand | \$19.25 |
| 168420 | 2.5 mm non-ferrous (brass) test wand | \$19.25 |
| 168421 | 2.8 mm non-ferrous (brass) test wand | \$19.25 |
| 168422 | 3.0 mm non-ferrous (brass) test wand | \$19.25 |
| 168423 | 3.2 mm non-ferrous (brass) test wand | \$19.25 |
| 168424 | 3.5 mm non-ferrous (brass) test wand | \$19.25 |
| 168425 | 4.0 mm non-ferrous (brass) test wand | \$19.25 |
| 168426 | 4.5 mm non-ferrous (brass) test wand | \$19.25 |
| 168427 | 5.0 mm non-ferrous (brass) test wand | \$19.25 |

Standard Features

Software

- Four levels of security
- Easy setup and product learning
- Easily change product boundaries/rejection
- One touch log reporting
- Eight fields of data recorded on large hard drive
- USB, Ethernet and RS485 communication ports
- Up to 97 products
- English or Spanish

Hardware

- 7-inch color touchscreen interface
- 304 stainless steel construction
- NEMA Type 4X, 304 stainless steel housing and enclosure
- IP66 rated
- Easily removable belt
- Adjustable foot pads or optional casters
- Single-point junction box
- Anti-static UHMW slider bed
- Variable speed control

Options

- Reject mechanism
- Paddle
- Linear
- Drop
- Lock box
- IP69K
- Meets HACCP requirements
- Ferrous, non-ferrous and 316 stainless steel test wands; individual wands and kits
- LED communication tower
- Audible alarms
- Caster package
- Guide rails
- AC power conditioner

Specifications

Construction:

304 stainless steel

Display:

7-inch color touchscreen

Language Support:

English and Spanish

Inputs:

Eight configurable (for photo eyes, remote emergency stop, etc.) that can be set to active high or active low

Outputs:

Nine programmable (for reject mechanism, system faults, system warnings, etc.)

Speed:

Up to 120 ft/minute depending on configuration

Operating Temperature:

Integral control 14 °F to 120 °F (-10 °C to 49 °C)

Storage Temperature:

14 °F to 175 °F (-10 °C to 80 °C)

Maximum Operating Altitude:

6,561 ft (2,000 m)

Power Requirements:

100 to 240 VAC, 50 or 60 Hz

IN-MOTION
WEIGHING

MotoWeigh® Metal Detector

Options/Accessories

| Part # | Main Systems | Price |
|---------------------------------------|--|------------|
| 316 Stainless Steel Test Wands | | |
| 168428 | 1.5 mm 316 stainless steel test wand | \$19.25 |
| 168429 | 1.8 mm 316 stainless steel test wand | \$19.25 |
| 168430 | 2.0 mm 316 stainless steel test wand | \$19.25 |
| 168431 | 2.2 mm 316 stainless steel test wand | \$19.25 |
| 168432 | 2.5 mm 316 stainless steel test wand | \$19.25 |
| 168433 | 2.8 mm 316 stainless steel test wand | \$19.25 |
| 168434 | 3.0 mm 316 stainless steel test wand | \$19.25 |
| 168435 | 3.1 mm 316 stainless steel test wand | \$19.25 |
| 168436 | 3.4 mm 316 stainless steel test wand | \$19.25 |
| 168437 | 4.0 mm 316 stainless steel test wand | \$19.25 |
| 168438 | 4.5 mm 316 stainless steel test wand | \$19.25 |
| 168439 | 5.0 mm 316 stainless steel test wand | \$19.25 |
| 168440 | 5.5 mm 316 stainless steel test wand | \$19.25 |
| 168441 | 6.0 mm 316 stainless steel test wand | \$19.25 |
| Test Wand Kits | | |
| 168445 | Master kit (ferrous 1.0 to 4.5 mm, non-ferrous 1.0 to 5 mm, 316 stainless steel 1.5 to 6.0 mm) | \$1,500.00 |
| 168442 | Ferrous kit (1.0 to 4.5 mm) | \$500.00 |
| 168443 | Non-ferrous kit (1.0 to 5.0 mm) | \$500.00 |
| 168444 | 316 stainless steel kit (1.5 to 6.0 mm) | \$500.00 |

IN-MOTION
WEIGHING

MotoWeigh® Cascade Checkweigher

Gravity Drop Checkweigher



Standard Features

Software

- Single part drop detection (part outside of the bag)
- Statistical information
- Store up to 500 different products

Hardware

- Mild steel construction
- Electrostatic dissipative powder coating
- 920j® wall mount
- Air regulator
- Bimba® air cylinders
- MAC® solenoid valves

Options

- LED communication tower
- Audible alarm
- Draft shield

Specifications

Construction:

- Mild steel
- Stainless steel

Capacity:

1.5 lb (680.4 g)

Maximum Container Size:

(L x W x H)
7.00 x 7.00 x 1.50 in

Accuracy:

±0.00044 lb (0.2 g)

Maximum Product Throughput:

45 parts per minute*

Cylinder Stroke:

1.75 in

**Variable based on product size, cylinder stroke, and scale accuracy*

Part Number/Price

| Part # | Main Systems | Price |
|--------|--|-------------|
| 212750 | MotoWeigh Cascade Checkweigher and control panel mild steel | \$9,375.00 |
| 212751 | MotoWeigh Cascade Checkweigher and control panel stainless steel | \$10,250.00 |

Options/Accessories

| Part # | Description | Price |
|--------|--|----------|
| 185808 | Red and green communication tower | \$775.00 |
| 186577 | Red, green and alarm communication tower | \$950.00 |

MotoWeigh® Integrator

IN-MOTION
WEIGHING



Standard Features

Software

- Password protected user logins
- Real-time statistical information
- Product report
- Statistical report
- Parameter report
- User report
- Store up to 1,000 different products
- Five zone classification
- Configurable reject output
- Conveyor control output

Control Panel

- Stainless steel enclosure
- Panel mount
- 24 VDC power supply
- 16 Opto 22 relays
- Terminal blocks for easy wiring

Options

- One, three or five-zone communication tower
- Audible alarm (non-washdown only)

Specifications

Construction:

Stainless steel

Control Panel Size:

16 x 16 x 8 in

Power Configuration:

115 to 230 VAC single phase, 50/60 Hz

Part Number/Price

| Part # | Main Systems | Price |
|--------|---|------------|
| 206440 | 1280 panel mount 7 in with MotoWeigh software, with cord grips | \$7,600.00 |
| 206441 | 1280 panel mount 12 in with MotoWeigh software, with cord grips | \$9,100.00 |

Options/Accessories

| Part # | Description | Price |
|--------|--|------------|
| 185803 | Alarm communication tower | \$435.00 |
| 185804 | Red communication tower | \$480.00 |
| 185805 | Three-zone communication tower | \$1,120.00 |
| 185806 | Three-zone and alarm communication tower | \$1,390.00 |
| 185807 | Five-zone communication tower | \$1,540.00 |

A&D Inspection

In-Motion Checkweigher and Metal Detector



AD-4961 Series Checkweigher

IN-MOTION
WEIGHING

| | AD-4961-600-1224 Specifications | AD-4961-2KD-2035 Specifications | AD-4961-6K-3050 Specifications |
|-----------------------|--|--|--|
| Capacity | 600 g | 500 g/2,000 g | 6,000 g |
| Resolution | 0.1 g | 0.1 g | 0.1 g |
| Construction | IP65 stainless steel construction with ABS resin display | IP65 stainless steel construction with ABS resin display | IP65 stainless steel construction with ABS resin display and stainless steel control box and base |
| Aperture Sizes | N/A | N/A | N/A |
| Display | 7 in color touchscreen | 7 in color touchscreen | 7 in color touchscreen |
| Alarm | Included | Included | Included |
| Configurations | Checkweigher or conveyor scale | Checkweigher or conveyor scale | Checkweigher or conveyor scale |
| Speed | Up to 240 ft per minute | Up to 240 ft per minute | Up to 240 ft per minute |
| Max Throughput | 150 pcs per min | 150 pcs per min | 100 pcs per min |
| Belts | Food grade urethane belt | Food grade urethane belt | Food grade urethane belt |
| Belts Width | 4.7 in | 7.8 in | 11.8 in |
| Conveyor Length | 14.2 in | 13.7 in | 19.6 in |
| Recorded Items | 1,000 items (ten groups × 100 items) | 1,000 items (ten groups × 100 items) | 1,000 items (ten groups × 100 items) |
| Communication | Modbus TCP, Modbus RTU, RS-232, Ethernet TCP/IP (PostScript Printer), USB (for PostScript Printer, USB memory, data storage, image import use) | Modbus TCP, Modbus RTU, RS-232, RS-485, Ethernet TCP/IP (PostScript Printer), USB (for PostScript Printer, USB memory, data storage, image import use) | Modbus TCP, Modbus RTU, RS-232, RS-485, Ethernet TCP/IP (PostScript Printer), USB (for PostScript Printer, USB memory, data storage, image import use) |
| Input/Output | External input for four non-voltage contact points External output for eight relay points | External input for four non-voltage contact points External output for eight relay points | External input for four non-voltage contact points External output for eight relay points |
| Power Configuration | 100 VAC-240 VAC (+10%/-15%) single phase, 50/60 Hz; 180 VA | 100 VAC-240 VAC (+10%/-15%) single phase, 50/60 Hz; 180 VA | 100 VAC-240 VAC (+10%/-15%) single phase, 50/60 Hz; 180 VA |
| Operating Temperature | 23 °F to 104 °F (-5 °C to 40 °C) | 23 °F to 104 °F (-5 °C to 40 °C) | 23 °F to 104 °F (-5 °C to 40 °C) |
| External Dimensions | (L × W × H) 26 × 23.7 × 28.1 in to 33.9 in | (L × W × H) 27.5 × 25.9 × 27.9 in to 33.8 in | (L × W × H) 39.5 × 28.9 × 28.3 in to 34.2 in |



Breeze Break



Tower Light



Maintenance Kit

A&D Inspection AD-4961 Series

In-Motion Conveyor Scale, Checkweigher and Metal Detector

Part Number/Price

| AD-4961A 600g | | |
|---------------|--|-------------|
| Part # | Checkweigher | Price |
| 220816 | EZICheck checkweigher 600 g | \$24,700.00 |
| Part # | Rejector | Price |
| 186318 | EZICheck 600 g air jet reject with two nozzles | \$6,500.00 |

Assembly is required

Options/Accessories

| Part # | Options/Accessories | Price |
|--------|---|------------|
| 221113 | EZICheck 600 g breeze break | \$1,100.00 |
| 176622 | CW extension leg kit - set of four (up to 40 in) | \$495.00 |
| 186320 | Maintenance kit 600 g | \$3,000.00 |
| 203601 | EZ caster package | \$1,850.00 |
| 220817 | EZICheck flat guide rails for 600 g weighing conveyor | \$950.00 |
| 220818 | EZICheck flat guide rails for 600 g infeed conveyor | \$950.00 |
| 221114 | EZICheck 600 g lower breeze break | \$480.00 |
| 176614 | EZICheck-01 display stand | \$350.00 |
| 176612 | Tower light 3 zone, must buy display stand PN 176614 | \$750.00 |

Part Number/Price

| AD-4961-2K-2035 2 kg | | |
|----------------------|--|-------------|
| Part # | Checkweigher | Price |
| 220725 | EZICheck checkweigher 2 kg | \$27,000.00 |
| Part # | Rejector | Price |
| Consult | EZICheck 2 kg dual channel reject flipper | Consult |
| 221115 | Air jet rejector (two nozzles) | \$7,600.00 |
| 220775 | EZICheck 2 kg single channel drop rejector | \$7,800.00 |
| 220776 | Drop rejector stand | \$2,000.00 |

Assembly is required

Options/Accessories

| Part # | Options/Accessories | Price |
|--------|---|------------|
| 176614 | EZICheck-01 display stand | \$350.00 |
| 176612 | Tower light 3 zone, must buy AD-4691-01 | \$750.00 |
| 221113 | EZICheck-11 upper breeze break | \$1,100.00 |
| 221116 | EZICheck-12 lower breeze break | \$800.00 |
| 176618 | 2 kg transfer plate, single | \$175.00 |
| 176619 | 2 kg Product guides (infeed and conveyor), set of 2 | \$800.00 |
| 176622 | CW extension leg kit - set of four (up to 40 in) | \$495.00 |
| 179427 | Maintenance kit 2 kg | \$5,150.00 |
| 192920 | Conveyor connection kit | \$51.00 |
| 203601 | EZ caster package | \$1,850.00 |

Part Number/Price

| AD-4961-6K-3050 6 kg | | |
|----------------------|---------------------------------|-------------|
| Part # | Checkweigher | Price |
| 220777 | EZICheck checkweigher 6 kg | \$33,000.00 |
| Part # | Rejector | Price |
| 176609 | EZICheck 6 kg push ram rejector | \$11,000.00 |
| Consult | Flipper rejector | Consult |
| Consult | Drop rejector | Consult |

Assembly is required

Options/Accessories

| Part # | Options/Accessories | Price |
|--------|--|------------|
| 176614 | EZICheck-01 display stand | \$350.00 |
| 215272 | 6 kg product guides, set of 2 (infeed or conveyor) | \$850.00 |
| 215274 | 6 kg breeze break | \$2,930.00 |
| 176612 | Tower light 3 zone, must buy AD-4691-01 | \$750.00 |
| 176622 | CW extension leg kit - set of four (up to 40 in) | \$495.00 |
| 186322 | Maintenance kit 6 kg | \$3,300.00 |
| 203601 | EZ caster package | \$1,850.00 |

IN-MOTION
WEIGHING

RT-M

Roller Top Scale



Part Number/Price

| Part # | Description | Price |
|--------|---|------------|
| 201732 | MotoWeigh roller top scale 880 version | \$6,900.00 |
| 220912 | Roller conveyor scale painted 680 version | \$6,400.00 |

* For 880/880 Plus specifications please see page 512

Standard Features

- Integrated overload protection
- 4 load cell system
- Mild steel powder-coated frame
- Non powder-coated rollers
- Consult factory for custom sizes/capacities

RT-M Specifications

Dimensions:

(L × W × H)
54 × 36 × 30 in with ± 2.5 in height adjustment

Capacity:

100 × 0.05 lb

Approvals:

Not available on RT-M

880 Indicator Specifications

Power:

Line voltages: 100 to 240 VAC

Excitation Voltage:

10 VDC (± 5 VDC), 16 × 350 ohm or 32 × 700 ohm load cells

Digital I/O:

Four I/O onboard, primary keys, pseudo functions, batching functions

Communication Ports:

RS-232 full duplex or RS-485 half duplex; USB micro A/B connector 2.0; Ethernet TCP/IP

Display:

LED, 0.56 in (14 mm), six-digit, 14-segment with decimal or comma

Dimensions:

(L × W × H)
Universal: 9.87 × 4.00 × 9.38 in
(248 × 102 × 235 mm)

Approvals:

NTEP CC 13-080 Class III/IIIL, 10,000 d
Measurement Canada AM-5931C
OIML R76/2006-A-NL1-18.23 Class III, 10,000 d

680 Indicator Specifications

Power:

Line voltages: 100 to 240 VAC
Frequency: 50 to 60 Hz

Excitation Voltage:

10 VDC (± 5 VDC), 8 × 350 ohm or 16 × 700 ohm load cells

Digital I/O:

Four configurable I/O - 5V logic

Communication Ports:

Two RS-232 (three-wire)
RS-485/422 (five-wire)
Micro USB (device)
Ethernet TCP/IP (10/100)

Display:

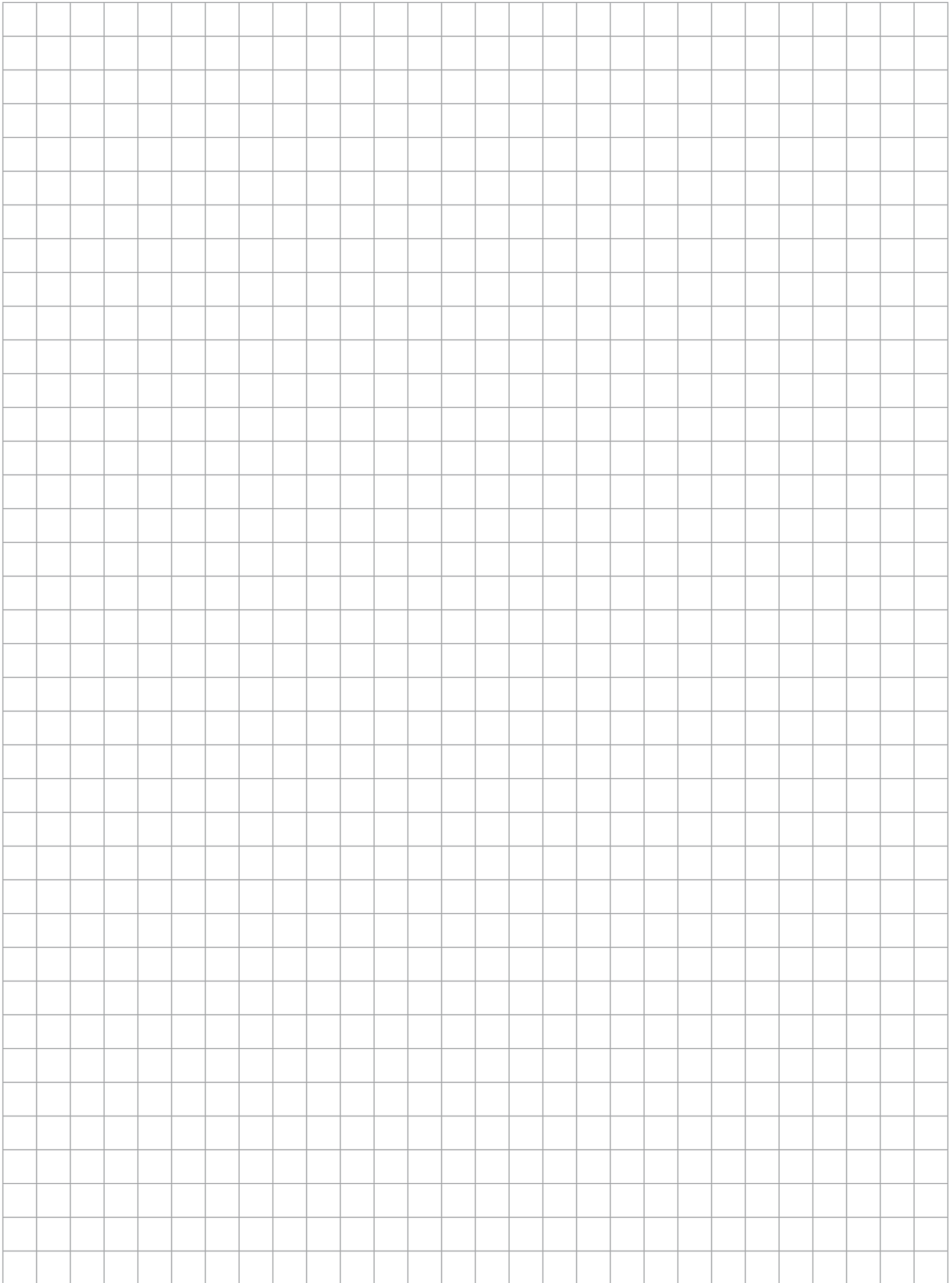
Seven 0.8 in tall, seven-segment digits

Dimensions:

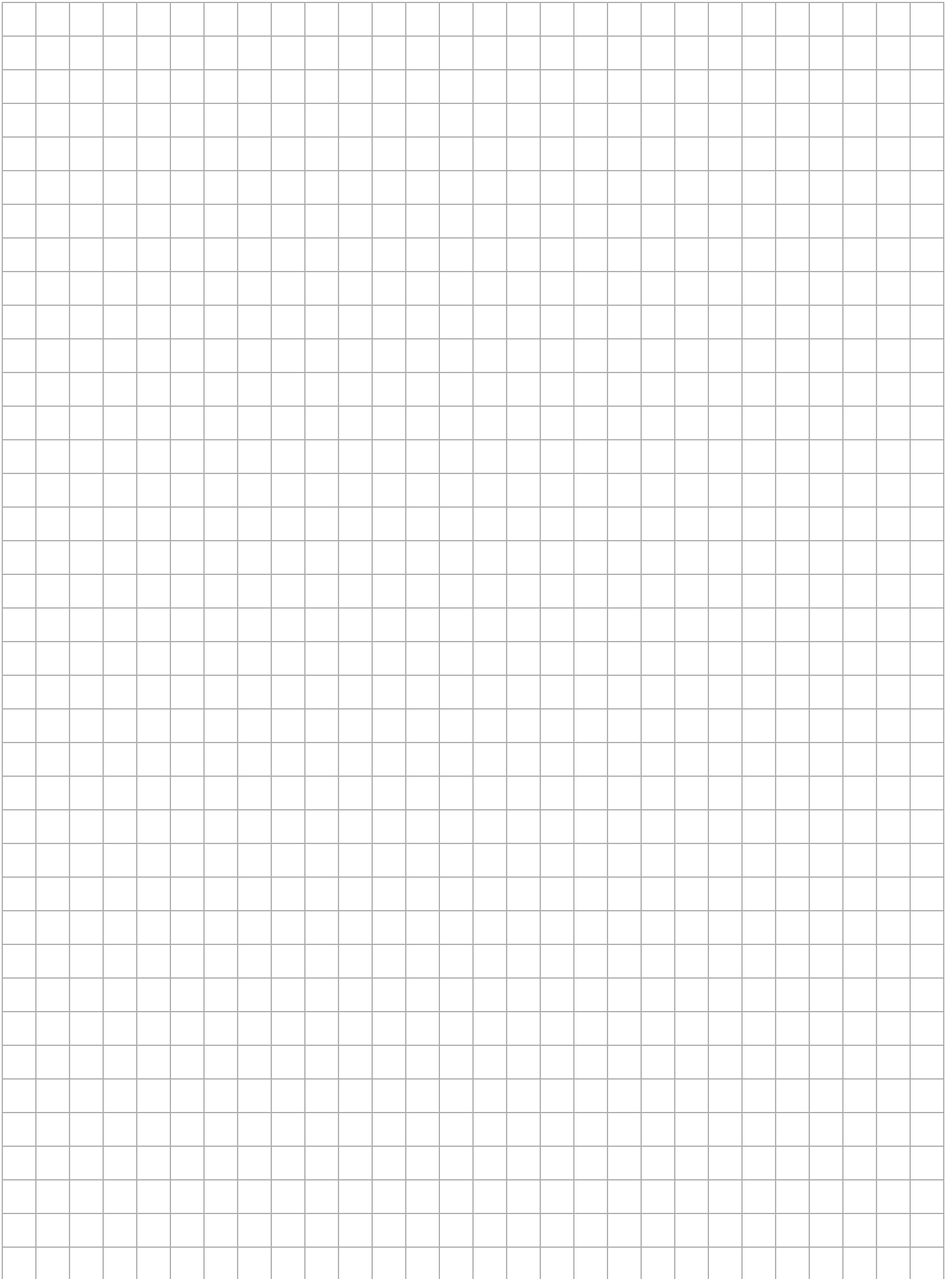
(L × W × H)
11.58 × 4.05 × 8.57 in
(294 × 103 × 218 mm)

Approvals:

NTEP 19-021, Class III/IIIL, 10,000d
Measurement Canada AM-6121C
OIML R76/2006-A-NL1-19.56



**IN-MOTION
WEIGHING**



Junction Boxes / Simulators

TABLE OF CONTENTS

| | |
|---|------------|
| JB4SS | 620 |
| <i>TuffSeal® Signal Trim Junction Box</i> | |
| JB4ES | 621 |
| <i>TuffSeal® Excitation Trim Junction Box</i> | |
| JB4SP and JB4SPT | 622 |
| <i>TuffSeal® Signal Trim Junction Box</i> | |
| JB4EP and JB4EPT | 623 |
| <i>TuffSeal® Excitation Trim Junction Box</i> | |
| EL204 | 624 |
| <i>Signal Trim Junction Box</i> | |
| EL504 | 625 |
| <i>Signal Trim Junction Box</i> | |
| JB8SP | 626 |
| <i>TuffSeal® Signal Trim Junction Box</i> | |
| JB8SPT | 627 |
| <i>TuffSeal® Signal Trim Junction Box</i> | |
| EL304A | 628 |
| <i>Signal Trim Junction Box</i> | |
| JB1010T | 629 |
| <i>Signal/Excitation Trim Junction Box</i> | |
| JB1010ST | 630 |
| <i>Signal Trim Junction Box</i> | |
| Replacement Junction Boxes, Boards or Components | 631 |
| iQUBE² | 632 |
| <i>Digital Diagnostic Junction Box</i> | |
| EL168 | 635 |
| <i>1-Cell Junction Box</i> | |
| TP75 DC | 635 |
| <i>Transient Protection</i> | |
| UJB3T6 DC | 636 |
| <i>Transient Protection</i> | |
| TP232 | 637 |
| <i>High Energy RS-232 Serial Protection</i> | |
| Ranger 1 | 637 |
| <i>Variable Range Simulator</i> | |
| Ranger 3 | 638 |
| <i>Variable Range Simulator</i> | |
| Transducer Simulator 4 | 638 |
| Ranger 5 | 639 |
| <i>Variable Range Simulator</i> | |
| Ranger 7 | 639 |
| <i>Variable Range Simulator</i> | |

The following product names, logos, brands and other trademarks featured or referred to within this publication are the property of their respective trademark holders.

JB4SS

TuffSeal® Signal Trim Junction Box



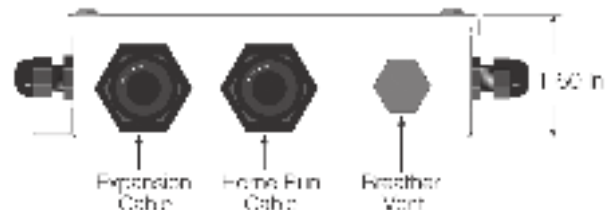
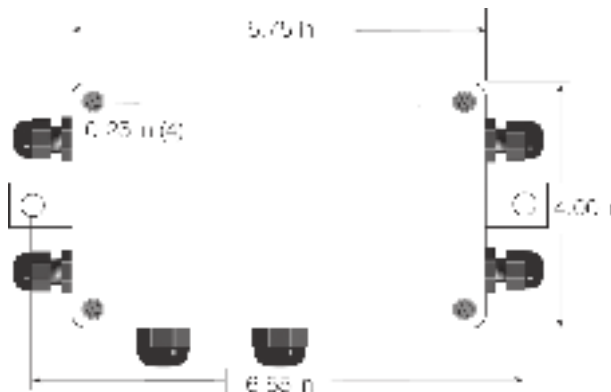
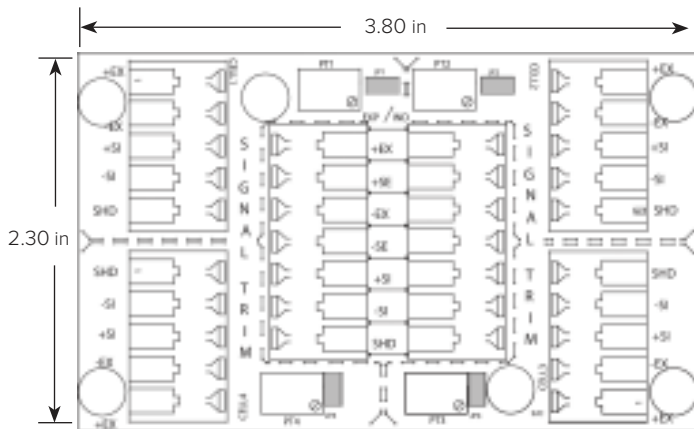
Approvals



Part Number/Price

| Part # | Description | Price |
|--------|---|----------|
| 88956 | JB4SS signal trim junction box with PG7 cord grips for load cells | \$275.00 |
| 107700 | JB4SS signal trim junction box with PG9 cord grips for load cells | \$290.00 |
| 88958 | Board only | \$175.00 |
| 182990 | Board only with standoffs | \$180.00 |
| 165271 | Enclosure only (includes cord grips and filter) | \$150.00 |

Note: Do not mix junction box models or use other brands of junction boxes with Rice Lake junction boxes. There is a risk of system instability.



Standard Features

- Stainless steel, NEMA Type 4X enclosure
- Jumpers to enable/disable a load cell
- PreVent™ breather vent
- Conformal coated circuit board
- Number of cells: two, three or four single cells
- Expansion port

Applications

- Floor, tank, hopper scales

Specifications

Cable Fittings:

P/N 88956:

- (4) PG7 0.118 to 0.255 in strain relief
- (2) PG11 0.197 to 0.394 in strain relief

P/N 107700:

- (4) PG9 0.138 to 0.315 in strain relief
- (2) PG11 0.197 to 0.394 in strain relief

Rating/Material:

- NEMA Type 4X
- Stainless steel

Connectors:

- Spring clamp screwless, 12 to 28 AWG

Trimming:

- Individual cell, signal trim

Temperature:

- Operating: 0 °F to 122 °F (-18 °C to 50 °C)

Potentiometers:

- 100,000 ohm, 25-turn cermet

Circuit Board:

- 3.8 × 2.3 in, with conformal coating

Warranty:

- One-year limited

Approvals:

- cFMus



Standard Features

- Jumpers to enable trimming
- PreVent™ breather vent
- Conformal coated circuit board
- Number of cells: two, three or four single cells
- Expansion port

Applications

- Floor, tank, hopper scales

Specifications

Cable Fittings:

- (4) PG7 0.118 to 0.255 in strain relief
- (2) PG11 0.197 to 0.394 in strain relief

Rating/Material:

- NEMA Type 4X
- Stainless steel

Connectors:

- Spring clamp screwless, 12 to 28 AWG

Trimming:

- Individual cell, excitation trim

Temperature:

- Operating: 0 °F to 122 °F (-18 °C to 50 °C)

Potentiometers:

- 100 ohm, 25-turn cermet

Circuit Board:

- 3.8 × 2.3 in, with conformal coating

Warranty:

- One-year limited

Approvals:

- cFMus

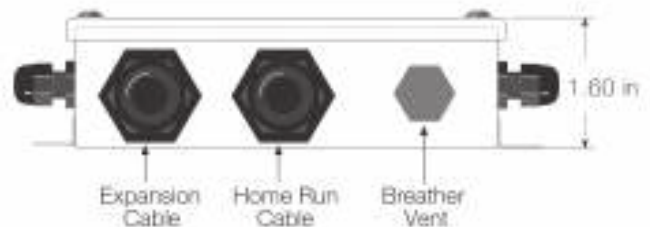
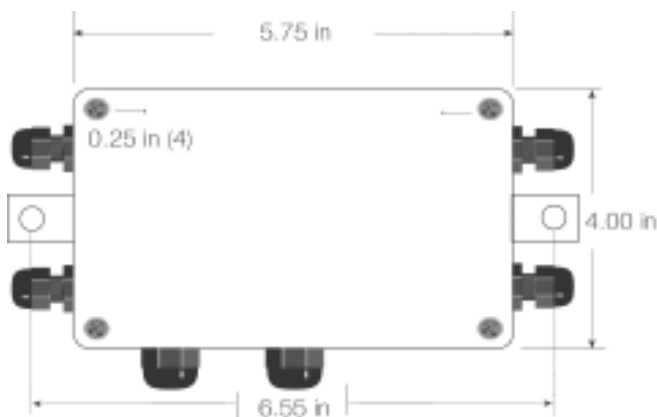
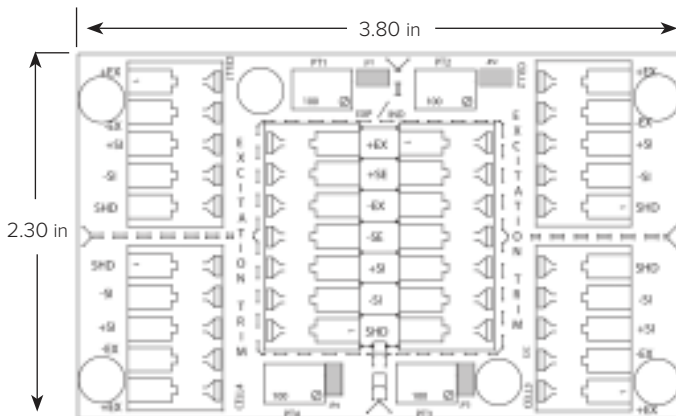
Approvals



Part Number/Price

| Part # | Description | Price |
|--------|---|----------|
| 91779 | JB4ES excitation trim junction box | \$275.00 |
| 89446 | Board only | \$170.00 |
| 165271 | Enclosure only (includes cord grips and filter) | \$150.00 |

Note: Do not mix junction box models or use other brands of junction boxes with Rice Lake junction boxes. There is a risk of system instability.



JUNCTION BOXES /
SIMULATORS

JB4SP and JB4SPT

TuffSeal® Signal Trim Junction Box



Approvals



PN 92762

Not FM approved



Standard Features

- Jumpers to enable/disable a load cell
- PreVent™ breather vent
- Conformal coated circuit board
- Number of cells: two, three or four single cells
- Expansion port

Applications

- Tank and hopper scales

Specifications

Cable Fittings:

- (4) PG7 0.118 to 0.255 in strain relief
- (2) PG11 0.197 to 0.394 in strain relief

Rating/Material:

- NEMA Type 4X
- Polycarbonate with overlapping solid cover,
- stainless steel screws

Connectors:

- Spring clamp screwless, 12 to 28 AWG

Trimming:

- Individual cell, signal trim

Temperature:

- Operating: 0 °F to 122 °F (-18 °C to 50 °C)

Potentiometers:

- 100,000 ohm, 25-turn cermet

Circuit Board:

- 3.8 × 2.3 in, with conformal coating

Warranty:

- One-year limited

Approvals:

- cFmus

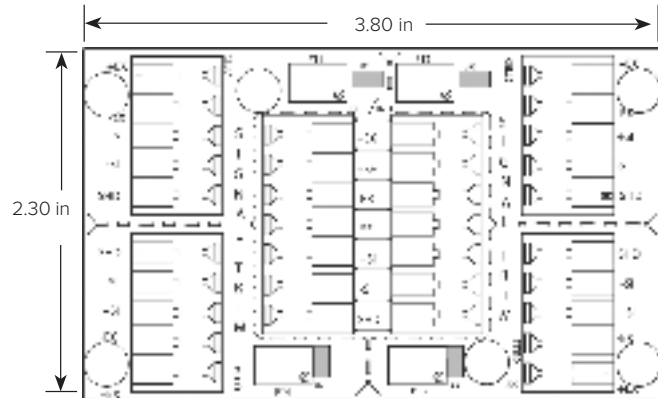
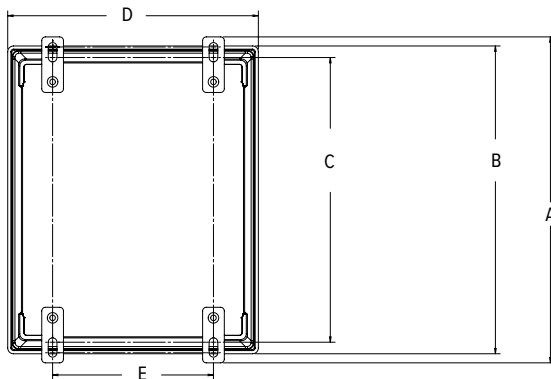
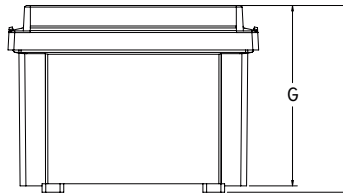
Part Number/Price

| Part # | Description | Price |
|--------|--|----------|
| 91780 | JB4SP signal trim four-channel with expansion | \$285.00 |
| 92762 | JB4SPT signal trim with transient protection (not FM approved) | \$475.00 |
| 88958 | Board only | \$175.00 |
| 89894 | Transient board | \$235.00 |
| 165272 | Enclosure only (does not include cord grips and filter) | \$145.00 |

Note: Do not mix junction box models or use other brands of junction boxes with Rice Lake junction boxes. There is a risk of system instability.

Dimensions

| Enclosure | | | |
|-----------|----------|---|---------|
| A | 10.04 in | E | 4.00 in |
| B | 9.52 in | F | 5.95 in |
| C | 8.50 in | G | 5.71 in |
| D | 7.43 in | | |



JB4SPT



JB4SP

JUNCTION BOXES / SIMULATORS

JB4EP and JB4EPT

TuffSeal® Excitation Trim Junction Box



Photo of JB4EP



Approvals



Standard Features

- Jumpers to enable/disable a load cell
- PreVent™ breather vent
- Conformal coated circuit board
- Number of cells: two, three or four single cells
- Expansion port

Applications

- Tank and hopper scales

Specifications

Cable Fittings:

- (4) PG7 0.118 to 0.255 in strain relief
- (2) PG11 0.197 to 0.394 in strain relief

Rating/Material:

- NEMA Type 4X
- Polycarbonate with overlapping solid cover, stainless steel screws

Connectors:

- Spring clamp screwless, 12 to 28 AWG

Trimming:

- Individual cell, excitation trim

Temperature:

- Operating: 0 °F to 122 °F (-18 °C to 50 °C)

Potentiometers:

- 100 ohm, 25-turn cermet

Circuit Board:

- 3.8 × 2.3 in, with conformal coating

Warranty:

- One-year limited

Approvals:

- cFmus

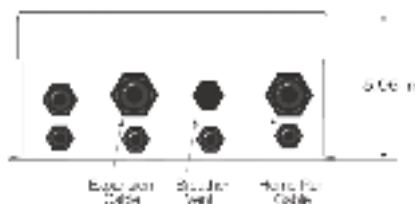
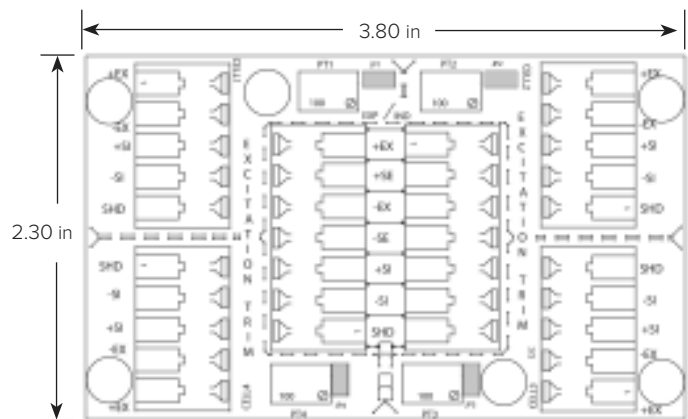
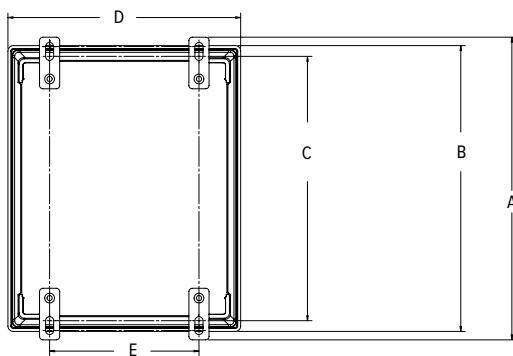
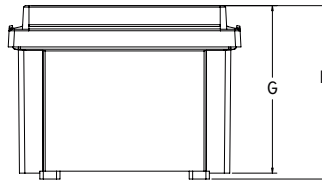
Part Number/Price

| Part # | Description | Price |
|--------|---|----------|
| 91781 | JB4EP excitation trim junction box | \$285.00 |
| 92763 | JB4EPT excitation trim junction box with transient protection | \$475.00 |
| 89446 | Board only | \$170.00 |
| 89894 | Transient board | \$235.00 |
| 165272 | Enclosure only (does not include cord grips or filter) | \$145.00 |

Note: Do not mix junction box models or use other brands of junction boxes with Rice Lake junction boxes. There is a risk of system instability.

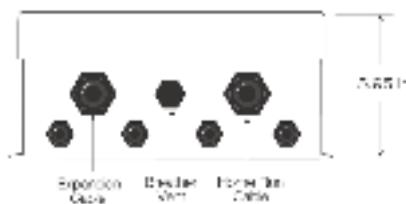
Dimensions

| Enclosure | | | |
|-----------|----------|---|---------|
| A | 10.04 in | E | 4.00 in |
| B | 9.52 in | F | 5.95 in |
| C | 8.50 in | G | 5.71 in |
| D | 7.43 in | | |



JB4EPT

Load Cell
Cord Grips
on bottom



JB4EP

JUNCTION BOXES /
SIMULATORS

EL204

Signal Trim Junction Box



Standard Features

- ABS enclosure with molded-in cable fittings
- Number of cells: two, three or four single cells

Applications

- Floor, hopper, tank or livestock applications

Specifications

Cable Fittings:

Five water tight nylon compression fittings, 0.210 × 0.280 in

Enclosure:

ABS with molded through-fittings, sealed six-screw lid

Connectors:

Spring clamp screwless, 12 to 28 AWG

Trimming:

Individual cell, signal trim

Temperature:

Operating: 0 °F to 122 °F (-18 °C to 50 °C)

Potentiometers:

100,000 ohm, 25-turn cermet

Circuit Board:

3.8 × 2.3 in, with conformal coating

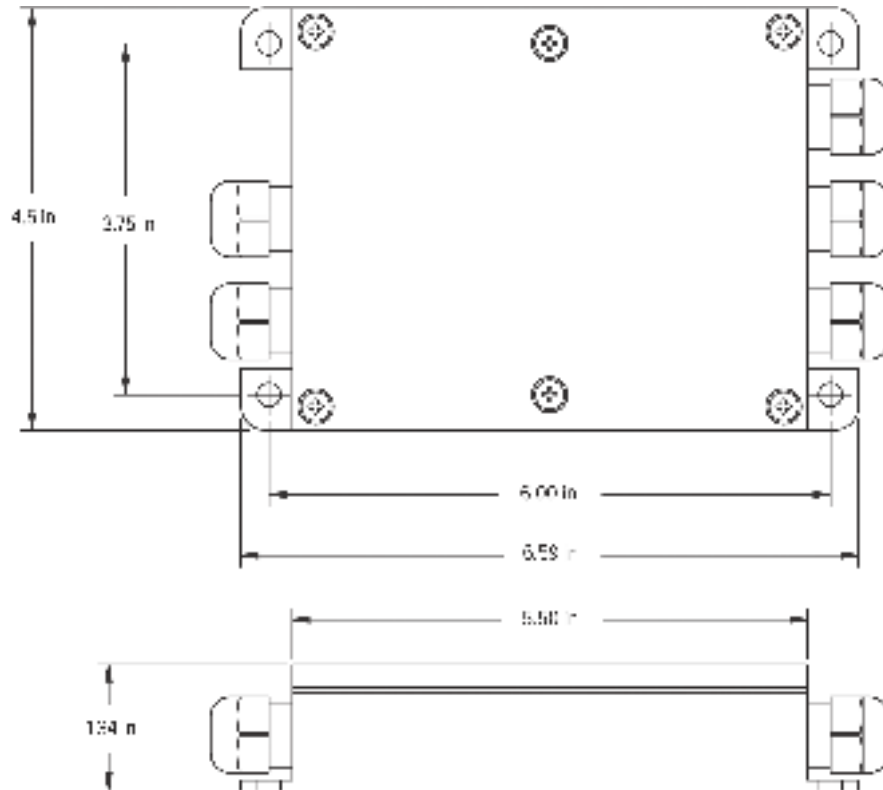
Warranty:

One-year limited

Part Number/Price

| Part # | Description | Price |
|--------|--------------------|----------|
| 73428 | EL204 junction box | \$225.00 |
| 88958 | Board only | \$175.00 |

Note: Do not mix junction box models or use other brands of junction boxes with Rice Lake junction boxes. There is a risk of system instability.



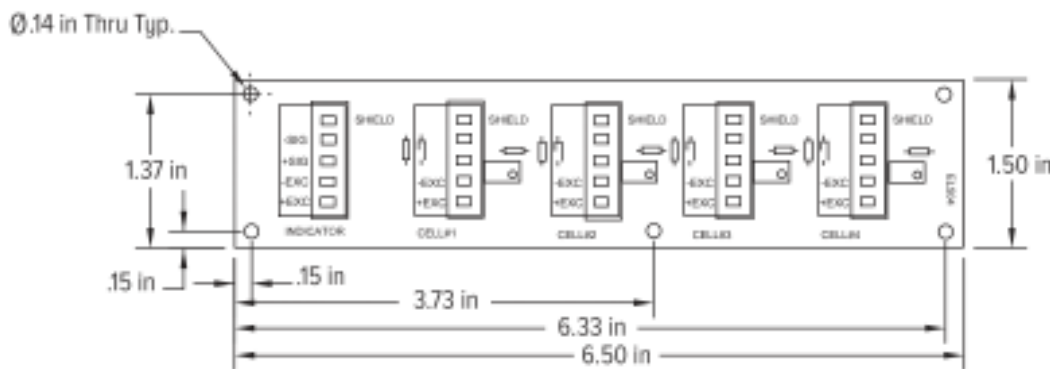
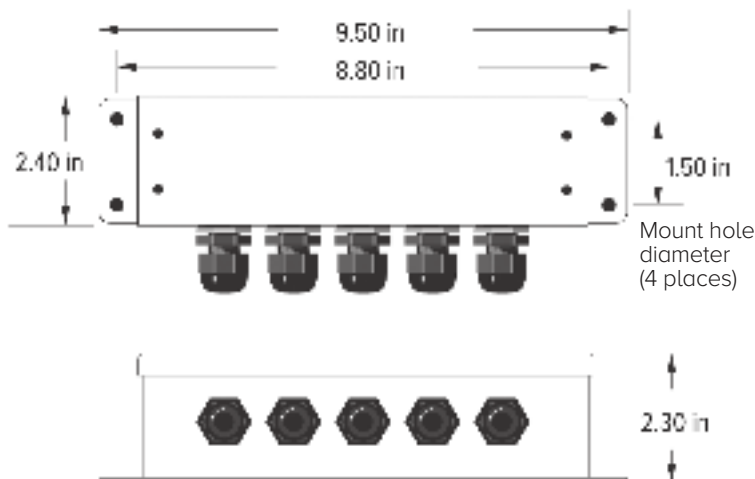
JUNCTION BOXES / SIMULATORS



Part Number/Price

| Part # | Description | Price |
|--------|--|----------|
| 21165 | EL504 signal trim junction box | \$395.00 |
| 21296 | Board only | \$275.00 |
| 165274 | Enclosure only (includes cord grips and cover) | \$175.00 |

Note: Do not mix junction box models or use other brands of junction boxes with Rice Lake junction boxes. There is a risk of system instability. Any unused channels require modification.



Standard Features

- Strain relief cable fittings
- Removable connectors for easy wiring
- Number of cells: two or four single cells (even number of cells only)

Applications

- Truck and floor scales
- Limited space installations

Specifications

Cable Fittings:

Five nylon 0.187 to 0.312 in cable strain reliefs

Rating/Material:

NEMA Type 4X, 40 psi washdown
Stainless steel

Connectors:

Electrovert 0.197 in (5.0 mm) miniature two piece connectors. Maximum wire size #14 AWG; connectors are removable for easy wiring.

Trimming:

Individual cell, signal trim

Temperature:

Operating:
0 °F to 122 °F (-18 °C to 50 °C)

Potentiometers:

100,000 ohm, 25-turn cermet

Circuit Board:

6.5 × 1.5 in, with anti-fungal coating

Warranty:

One-year limited

JB8SP

TuffSeal® Signal Trim Junction Box



Approvals



Part Number/Price

| Part # | Description | Price |
|--------|---|----------|
| 91782 | JB8SP signal trim eight-channel with expansion | \$465.00 |
| 173807 | JB8SP signal trim eight-channel with expansion, FM approved | \$495.00 |
| 89889 | Board only | \$395.00 |
| 172415 | Board only, FM approved | \$415.00 |
| 165273 | Enclosure only (does not include cord grips and filter) | \$165.00 |

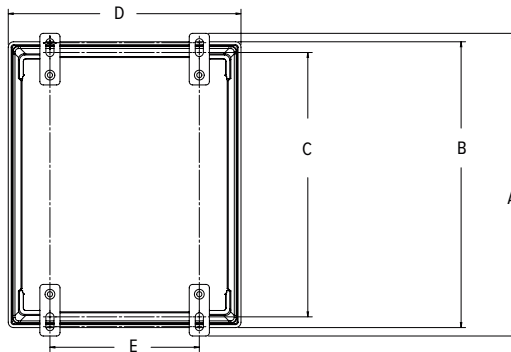
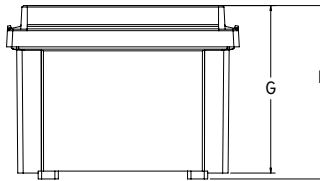
Note: Do not mix junction box models or use other brands of junction boxes with Rice Lake junction boxes. There is a risk of system instability.

Options/Accessories

| Part # | Description | Price |
|--------|--|---------|
| 215178 | Mounting tabs-new style (set of 4, includes screws), polycarbonate | \$15.00 |
| 92734 | Coupling, 1/2-in NPT cord grip to 3/4-in NPT conduit fitting | \$27.00 |
| 92735 | Coupling, 3/8-in NPT cord grip to 3/4-in NPT conduit fitting | \$27.00 |

Dimensions

| Enclosure | | | |
|-----------|----------|---|---------|
| A | 12.13 in | E | 9.32 in |
| B | 11.45 in | F | 5.98 in |
| C | 11.38 in | G | 6.95 in |
| D | 10.59 in | | |



Standard Features

- Polycarbonate, NEMA Type 4X enclosure
- PreVent™ breather vent
- Conformal coated circuit board
- Removable load cell connectors
- Section and individual cell trim capability
- Number of cells: two, four, six or eight single load cells (even number of cells only)
- Expansion port

Applications

- Truck, livestock and railroad scales

Specifications

Cable Fittings:

- (9) 3/8 in NPT 0.157 to 0.314 in
- (2) 1/2 in NPT 0.272 to 0.472 in

Rating/Material:

- NEMA Type 4X
- Polycarbonate with overlapping solid cover, stainless steel screws

Connectors:

- Pluggable screw type, 12 to 28 AWG

Trimming:

- Individual cell , range trim

Temperature:

- Operating: 0 °F to 122 °F (-18 °C to 50 °C)

Potentiometers:

- 100,000 ohm, 25 turn cermet

Circuit Board:

- 5.7 × 7.2 in with conformal coating

Warranty:

- One-year limited

Approvals:

- cFMus



Standard Features

- Transient protection
- PreVent™ breather vent
- Conformal coated circuit board
- Removable load cell connectors
- Section and individual cell trim capability
- Field replaceable transient protection
- One coupling, 0.5 inch NPT cord grip to 0.75-inch NPT conduit fitting for homerun cable
- Number of cells: two, four, six or eight single load cells (even number of cells only)
- Expansion port

Applications

- Truck, livestock and railroad scales

Specifications

Cable Fittings:

- (9) 3/8 in NPT 0.157 to 0.314 in
- (2) 1/2 in NPT 0.272 to 0.472 in

Rating/Material:

NEMA Type 4X
Polycarbonate with overlapping solid cover, stainless steel screws

Connectors:

Pluggable screw type, 12 to 28 AWG

Trimming:

Individual cell trim

Temperature:

Operating:
0 °F to 122 °F (-18 °C to 50 °C)

Potentiometers:

100,000 ohm, 25-turn cermet

Circuit Board:

5.7 × 7.2 in with conformal coating

Warranty:

One-year limited

Part Number/Price

| Part # | Description | Price |
|--------|---|----------|
| 91783 | JB8SPT signal trim junction box with transient protection | \$700.00 |
| 89889 | Board only | \$395.00 |
| 89894 | Transient board | \$235.00 |
| 165273 | Enclosure only (does not include cord grips and filter) | \$165.00 |

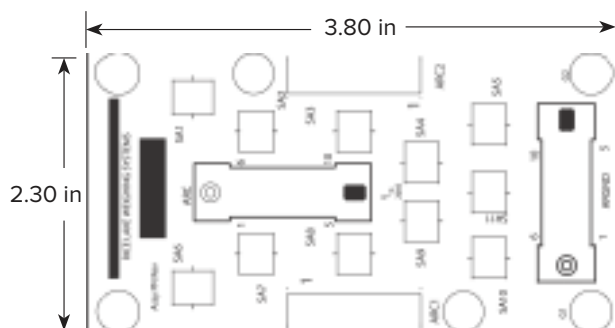
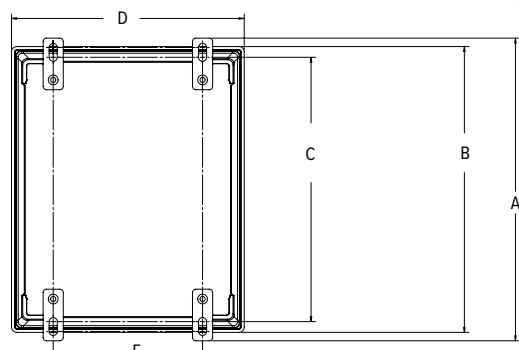
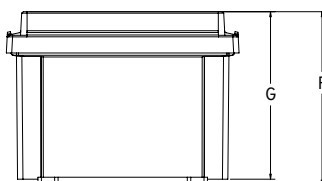
Note: Do not mix junction box models or use other brands of junction boxes with Rice Lake junction boxes. There is a risk of system instability.

Options/Accessories

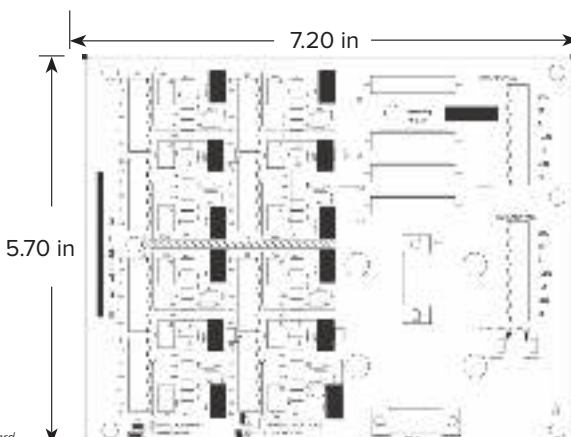
| Part # | Description | Price |
|--------|--|---------|
| 215178 | Mounting tabs-new style (set of 4, includes screws), polycarbonate | \$15.00 |
| 92734 | Coupling, 1/2-in NPT cord grip to 3/4-in NPT conduit fitting | \$27.00 |
| 92735 | Coupling, 3/8-in NPT cord grip to 3/4-in NPT conduit fitting | \$27.00 |

Dimensions

| Enclosure | | | |
|-----------|----------|---|---------|
| A | 12.13 in | E | 9.32 in |
| B | 11.45 in | F | 5.98 in |
| C | 11.38 in | G | 6.95 in |
| D | 10.59 in | | |



Transient Board



Load Cell Board

JUNCTION BOXES / SIMULATORS

EL304A

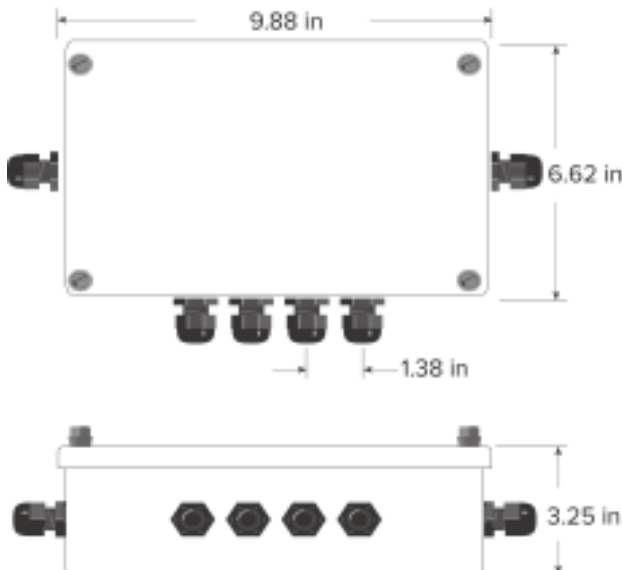
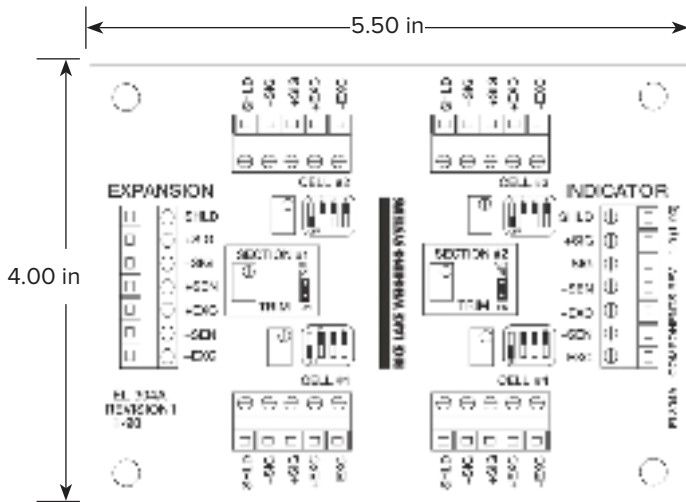
Signal Trim Junction Box



Part Number/Price

| Part # | Description | Price |
|--------|--|----------|
| 21169 | EL304A signal trim four-channel junction box | \$325.00 |
| 21301 | Board only | \$235.00 |
| 165275 | Enclosure only (includes cord grips) | \$180.00 |

Note: Do not mix junction box models or use other brands of junction boxes with Rice Lake junction boxes. There is a risk of system instability.



Standard Features

- Strain relief cable fittings
- Individual cell signal disconnect switches
- Number of cells: two or four single cells (even number of cells only)
- Corner and/or section trim applications
- Expansion port

Applications

- Livestock scales, tank and vessel weighing

Specifications

Cable Fittings:

- Four nylon cable strain reliefs, 0.079 to 0.236 in
- Two nylon cable strain reliefs, 0.236 to 0.354 in

Rating/Material:

- NEMA Type 4X, 40 psi washdown
- Fiberglass Reinforced Polyester (FRP)

Connectors:

- Electrovert 0.197 in (5.0 mm) miniature screw terminals
- Maximum wire size #14 AWG

Trimming:

- Individual cell and section, signal trim

Potentiometers:

- 100,000 ohm, 25-turn cermet

Warranty:

- One-year limited

JB1010T

Signal/Excitation Trim Junction Box



Standard Features

- Transient protection
- Signal or excitation trim
- Front panel mounting
- Strain relief cable fittings
- Number of cells: 1 through 10
- Trims odd numbers of cells without modification

Applications

- Tank, truck, railroad, hopper and floor scales
- Universal field replacement of existing boxes
- Expansion of existing scales

Specifications

Cable Fittings:

Nylon waterproof strain-relief type

Rating/Material:

NEMA Type 4X

Fiberglass Reinforced Polyester (FRP)

Terminal Block:

Rated 300V/15A;

7-position screw terminal can each accommodate up to #16 AWG

Trimming:

Individual cell, section signal and excitation trim

Temperature:

Operating:

0 °F to 122 °F (-18 °C to 50 °C)

Potentiometers:

100,000 ohm, 25-turns cermet

Mounting Centers:

3.75 × 2.31 in (95.2 × 58.7 mm)

Cable Diameter:

0.079 to 0.314 in

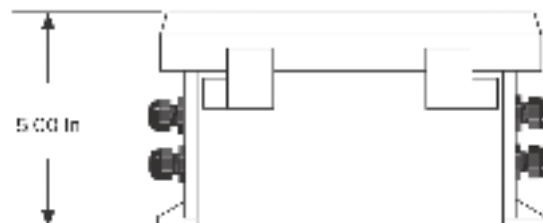
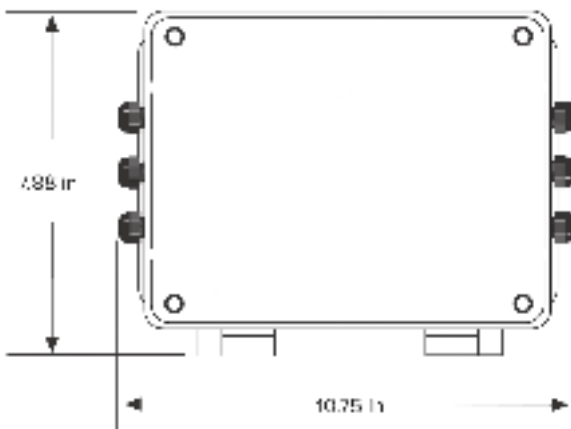
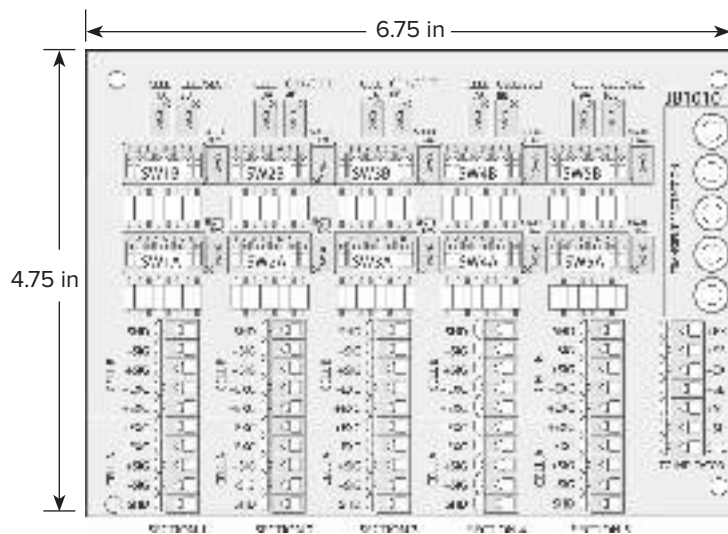
Warranty:

One-year limited

Part Number/Price

| Part # | Description | Price |
|--------|--|----------|
| 36231 | JB1010 signal/excitation trim junction box | \$685.00 |
| 36351 | Board only | \$475.00 |
| 165276 | Enclosure only (includes cord grips) | \$275.00 |

Note: Do not mix junction box models or use other brands of junction boxes with Rice Lake junction boxes. There is a risk of system instability.



JUNCTION BOXES /
SIMULATORS

JB1010ST

Signal Trim Junction Box



Standard Features

- Transient protection using gas discharge tubes
- Stainless steel, NEMA Type 4X enclosure
- Section and individual cell trim capability
- Compact enclosure only 1.75 in deep
- Strain relief cable fitting
- Number of cells: two, four, six, eight or 10 single load cells
- Legal for Trade sealing screws, wire and seal included

Applications

- Tank, truck and railroad scales
- Summing 10 load cells with individual and section trimming capability

Specifications

Cable Fittings:

Eleven nylon 0.079 to 0.314 in cable strain reliefs

Rating/Material:

NEMA Type 4X
Stainless steel

Connectors:

Electrovert 0.197 miniature screw terminals
Five positions
Maximum wire size: #14 AWG
External enclosure ground stud

Trimming:

Individual cell and section signal trim

Temperature:

Operating:
0 °F to 122 °F (-18 °C to 50 °C)

Potentiometers:

100,000 ohm, 25-turn cermet, individual trim
100 ohm, for section trimming

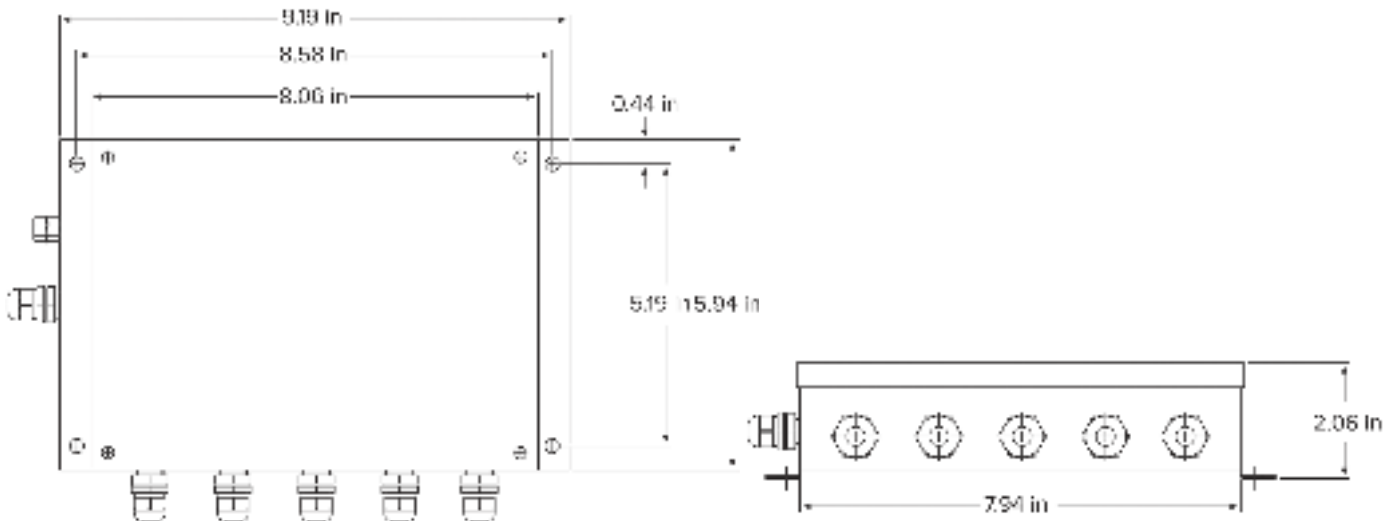
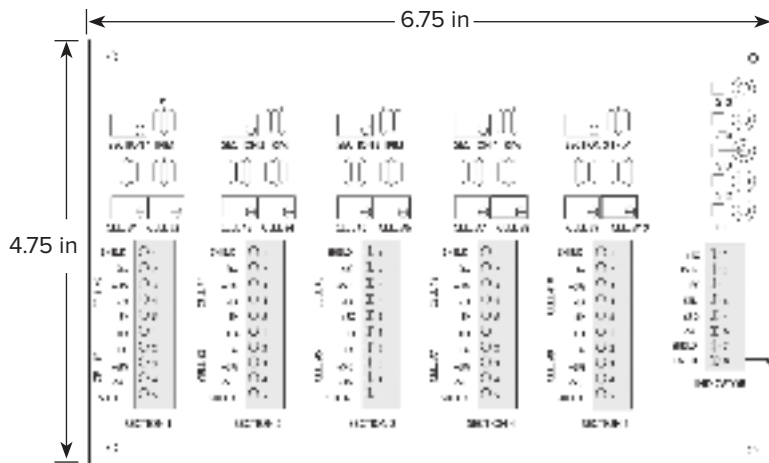
Warranty:

One-year limited

Part Number/Price

| Part # | Description | Price |
|--------|--------------------------------------|----------|
| 68813 | JB1010ST signal trim junction box | \$615.00 |
| 68811 | Board only | \$465.00 |
| 165277 | Enclosure only (includes cord grips) | \$485.00 |

Note: Do not mix junction box models or use other brands of junction boxes with Rice Lake junction boxes. There is a risk of system instability. Any unused channels require modification.



JUNCTION BOXES / SIMULATORS

Replacement Junction Boxes, Boards or Components

| Model | Complete J-Box Replacement | Replacement Board Only | Replacement Cord Grips | Replacement Pressure & Condensation Vent | Desiccant Pack |
|-----------------|---|--|--|---|---------------------|
| JB4SS | 88956 \$275.00 | 88958 \$175.00 | 58983 =PG7, \$5.00 59001 =PG11 \$3.70 | 88733 PreVent™ breather (vent) \$22.00 88734 (vent nut) \$1.05 | 92240 \$1.17 |
| JB4ES | 91779 \$275.00 | 89446 \$170.00 | 58983 =PG7, \$5.00 59001 =PG11 \$3.70 | 88733 PreVent™ breather (vent) \$22.00 88734 (vent nut) \$1.05 | 92240 \$1.17 |
| JB4SP JB4SPT | 91780 \$285.00 92762 \$475.00 | 88958 (load cell) \$175.00 & 89894 (transient protection) \$235.00 | 58983 =PG7, \$5.00 59001 =PG11 \$3.70 | 88733 PreVent™ breather (vent) \$22.00 88734 (vent nut) \$1.05 | 16039 \$2.23 |
| JB4EP JB4EPT | 91781 \$285.00 92763 \$475.00 | 89446 (load cell) \$170.00 & 89894 (transient protection) \$235.00 | 58983 =PG7, \$5.00 59001 =PG11 \$3.70 | 88733 PreVent™ breather (vent) \$22.00 88734 (vent nut) \$1.05 | 16039 \$2.23 |
| EL204 | 73428 \$225.00 | 88958 \$175.00 | N/A | N/A | N/A |
| JB8SP | 91782 \$465.00 173807 FM approved \$495.00 | 89889 \$395.00 172415 FM approved \$415.00 | 15655 (cord grip) \$2.10 & 15656 (nut) \$1.05 =3/8 in NPT 15628 (cord grip) \$5.00 & 15630 (nut) \$3.00 =1/2 in NPT | 88733 PreVent™ breather (vent) \$22.00 88734 (vent nut) \$1.05 | 16039 \$2.23 |
| JB8SPT | 91783 \$700.00 | 89889 (load cell) \$395.00 & 89894 (transient protection) \$235.00 | 15655 (cord grip) \$2.10 & 15656 (nut) \$1.05 =3/8 in NPT 15628 (cord grip) \$5.00 & 15630 (nut) \$3.00 =1/2 in NPT | 88733 PreVent™ breather (vent) \$22.00 88734 (vent nut) \$1.05 | 16039 \$2.23 |
| EL304A | 21169 \$325.00 | 21301 \$235.00 | N/A | N/A | N/A |
| JB1010 | 36231 \$685.00 | 36351 \$475.00 | N/A | N/A | N/A |
| JB1010ST | 68813 \$615.00 | 68811 \$465.00 | N/A | N/A | N/A |
| EL210 | 91781 , JB4EP* \$285.00 | 92472 \$155.00 | 58983 =PG7, \$5.00 59001 =PG11 \$3.70 | N/A | N/A |
| EL211A | 91780 , JB4SP* \$285.00 (However the board does not have section trim capabilities) | 92473 , \$160.00 (However the board does not have section trim capabilities) | 58983 =PG7, \$5.00 59001 =PG11 \$3.70 | N/A | N/A |
| EL604-AL | 88956 , JB4SS* \$275.00 | 88958 \$175.00 | 58983 =PG7, \$5.00 59001 =PG11 \$3.70 | N/A | N/A |
| EL604STA | 88956 , JB4SS* \$275.00 | 88958 \$175.00 | 58983 =PG7, \$5.00 59001 =PG11 \$3.70 | N/A | N/A |
| EL604ETA | 91779 , JB4ES* \$275.00 | 89446 \$170.00 | 58983 =PG7, \$5.00 59001 =PG11 \$3.70 | N/A | N/A |
| EL504 | 21165 \$395.00 | 21296 \$275.00 | N/A | N/A | N/A |
| JB808S | 91782 , JB8SP* \$465.00 | 92471 \$385.00 | 15655 (cord grip) \$2.10 & 15656 (nut) \$1.05 =3/8 in NPT 15628 (cord grip) \$5.00 & 15630 (nut) \$3.00 =1/2 in NPT | N/A | N/A |
| JB818ST | 91783 , JB8SPT* \$700.00 | Need (1) 77445 \$68.00 (1) 89889 \$395.00, & (1) 89894 \$235.00 | 15655 (cord grip) \$2.10 & 15656 (nut) \$1.05 =3/8 in NPT 15628 (cord grip) \$5.00 & 15630 (nut) \$3.00 =1/2 in NPT | N/A | N/A |

*See catalog pages for enclosure dimensions

JUNCTION BOXES /
SIMULATORS



Approvals



Measurement
Canada
Approved



Specifications

Voltage Input:

115/230 VAC power supply
DC/DC converter for 9 to 36 V
6 to 12 VDC to CPU

Analog Signal Input Range:

-78 to +78 mV

Analog Signal Sensitivity:

0.3 uV/grad at 30 Hz
0.5 uV/grad at 100 Hz
1.2 uV/grad at 500 Hz

A/D Sampling Rate:

2.5 to 500 Hz (selectable)

Digital I/O:

Four per card, for push-button operation,
setpoint control or cell status

Communication Ports:

RS-232/RS-422

Load Cell Inputs:

Four channels per board
up to four networked boards

Load Cell Excitation:

5 VDC, 57 mA maximum per channel

Rating/Material:

Polycarbonate (NEMA Type 4X) enclosure with
overlapping solid cover, stainless steel screws
Stainless steel (NEMA Type 4X) enclosure
with hinged cover

Temperature:

Certified: 14 °F to 104 °F (-10 °C to 40 °C)
Operating: -13 °F to 140 °F (-25 °C to 60 °C)

Warranty:

Two-year limited

Approvals:

NTEP 03-032A1
Measurement Canada AM-5561
cULus E151461
CE Marked

Standard Features

- iQUBE² board has four A/D channels
- Supports networking up to four boards, for 16 A/D channels; connection can be up to four separate platforms with a system total, or four separate scale systems
- Diagnostic routines for weighing errors and system health
- Cell tests for overloaded, underloaded, zero reference, drift, noise and unbalanced conditions
- Onboard status LEDs for communication and visual bi-color indication of cell health
- Cell emulator compensates for load cell failure until a repair can be made
- Cal-Match[®] algorithm automatically trims and calibrates the scale in one pass of test weights (stopping over each mount)
- Standard communications
- Option card slot for fiber optic, Ethernet TCP/IP, wireless TCP/IP, USB or RS-232/RS-485
- Communicates to 920i[®], 1280, VIRTUj²[®] using ASCII (EDP) serial commands

Applications

- Truck and railroad scales
- Tank and hopper scales
- Multi-channel scales

Part Number/Price

| Part # | Description | Est. Weight | Price |
|-----------------------------|---|-------------|------------|
| With AC Power Supply | | | |
| 108425* | iQUBE ² , four-channel, polycarbonate 8 × 10 in junction box | 9 lb | \$1,300.00 |
| 108426 | iQUBE ² , four-channel, polycarbonate 10 × 12 in junction box | 11 lb | \$1,500.00 |
| 108427 | iQUBE ² , eight-channel, polycarbonate 10 × 12 in junction box | 11 lb | \$2,500.00 |
| 108428* | iQUBE ² , four-channel, stainless steel 8 × 10 in junction box | 13 lb | \$2,450.00 |
| Without Power Supply | | | |
| 108429* | iQUBE ² , four-channel, polycarbonate 8 × 10 in junction box | 8 lb | \$1,200.00 |
| 108430 | iQUBE ² , four-channel, polycarbonate 10 × 12 in junction box | 10 lb | \$1,400.00 |
| 108431 | iQUBE ² , eight-channel, polycarbonate 10 × 12 in junction box | 10 lb | \$2,400.00 |
| 108432* | iQUBE ² , four-channel, stainless steel 8 × 10 in junction box | 12 lb | \$2,350.00 |
| Conduit Adapters | | | |
| 92734 | Conduit adapter 3/8 in NTP to 3/4 in NPT | | \$27.00 |
| 92735 | Conduit adapter 1/2 in NTP to 3/4 in NPT | | \$27.00 |

* Enclosure size 8 × 10 in required for truck scale junction box pocket

Options/Accessories

| Part # | Description | Price |
|--|---|------------|
| 108433 | Four-channel iQUBE ² board with cables and connectors | \$1,000.00 |
| 97475 | DC/DC power supply, 9 to 36 VDC (requires factory installation) | \$255.00 |
| 108434 | Remote power supply 115/230 VAC and transient board with enclosure | \$450.00 |
| 109396 | Transient board | \$90.00 |
| 110949 | Transient board with mount | \$110.00 |
| 161954 | Hotspot in polycarbonate enclosure | \$3,195.00 |
| 215178 | Mounting tabs-new style (set of 4, includes screws), polycarbonate | \$15.00 |
| Communication Card | | |
| 108579 | RS-232/RS-485 port | \$285.00 |
| 77142 | Ethernet TCP/IP | \$545.00 |
| 206272 | Wireless LAN 802.11 A/B | \$610.00 |
| 93245 | USB port | \$225.00 |
| 77143 | Fiber-optic board | \$220.00 |
| 77788 | Fiber-optic board (installed in 920i) | \$220.00 |
| Duplex Fiber (Max Run 350 ft) | | |
| 78026 | Fiber-optic cable, 100 ft | \$175.00 |
| 78027 | Fiber-optic cable, 200 ft | \$328.00 |
| 78910 | Fiber-optic cable, custom length | \$1.75/ft |
| Home Run Cable | | |
| 116587 | EL166 16 gauge, six conductor, shielded | \$2.65/ft |
| Software | | |
| 108436 | VIRTUi ² activation part number | \$550.00 |
| 112262 | Firmware update flash cable | \$65.00 |
| 920i[®] Indicators for use with iQUBE², requires version 4 software | | |
| 77790 | 920i Universal, 115 VAC, without A/D | \$3,195.00 |
| 77791 | 920i Universal, 230 VAC, without A/D | \$3,195.00 |
| 93243 | 920i Deep Universal, 115 VAC, without A/D | \$3,445.00 |
| 93244 | 920i Deep Universal, 230 VAC, without A/D | \$3,445.00 |
| 77792 | 920i Panel Mount, 115 VAC, without A/D | \$3,195.00 |
| 77793 | 920i Panel Mount, 230 VAC, without A/D | \$3,195.00 |
| 77794 | 920i Wall Mount, 115 VAC, without A/D | \$4,095.00 |
| 77795 | 920i Wall Mount, 230 VAC, without A/D | \$4,095.00 |
| 1280 Indicators for use with iQUBE² | | |
| 189623 | 1280 7 inch touch-only, AC power supply, no power cord, standard display, without A/D | \$3,180.00 |
| 188526 | 1280 7 inch touch-only, AC power supply, no power cord, high visibility display, without A/D | \$3,280.00 |
| 188395 | 1280 12 inch touch-only, AC power supply, no power cord, high visibility display, without A/D | \$4,345.00 |
| 181073 | 1280 Panel Mount, DC power supply, no power cord, standard display, without A/D | \$3,180.00 |
| 178473 | 1280 Panel Mount, AC power supply, no power cord, high visibility display, without A/D | \$3,280.00 |
| 205677 | 1280 Wall Mount, AC power supply, U.S. power cord, standard display, without A/D | \$3,780.00 |
| 171667 | 1280 Wall Mount, AC power supply, U.S. power cord, high visibility display, without A/D | \$3,880.00 |
| 174750 | 1280 Panel Mount, AC power supply, no power cord, standard display, without A/D | \$3,180.00 |
| 174207 | 1280 Universal, AC power supply, Europe power cord, standard display, without A/D | \$3,380.00 |
| 171582 | 1280 Universal, AC power supply, U.S. power cord, standard display, without A/D | \$3,380.00 |
| 188713 | 1280 Universal, DC power supply, no power cord, standard display, without A/D | \$3,380.00 |
| 171540 | 1280 Universal, DC power supply, no power cord, high visibility display, without A/D | \$3,480.00 |
| 172419 | 1280 Universal, AC power supply, U.S. power cord, high visibility display, without A/D | \$3,480.00 |



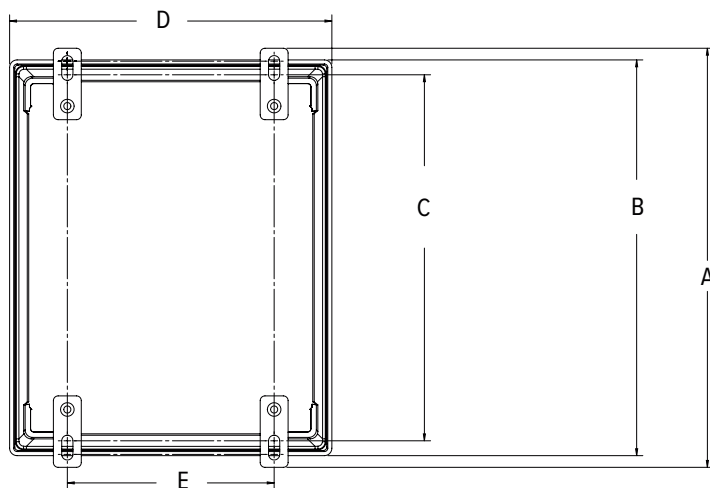
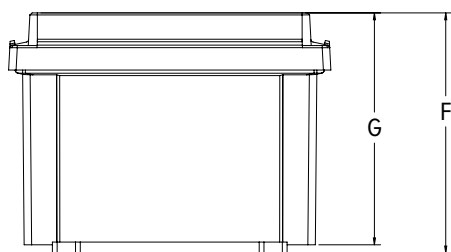
Sample Configurations

Not an actual system—illustrates connectivity

JUNCTION BOXES /
SIMULATORS

Dimensions

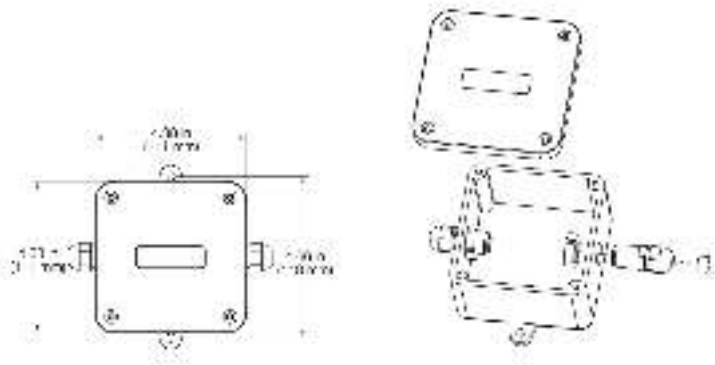
| iQUBE ² | | | |
|---------------------------|-----------------------------------|---|------------------|
| Stainless Steel 8 × 10 in | | | |
| A | 11.50 in (292 mm) | E | 6.00 in (152 mm) |
| B | 10.30 in (262 mm) | F | 4.30 in (109 mm) |
| C | 10.90 in (277 mm) | G | 4.20 in (107 mm) |
| D | 8.30 in (211 mm) | | |
| Polycarbonate 8 × 10 in | | | |
| A | 10.10 in (257 mm) | E | 4.00 in (102 mm) |
| B | 9.50 in (241 mm) | F | 6.00 in (152 mm) |
| C | 8.50 to 9.30 in (216 to 236 mm) | G | 5.70 in (145 mm) |
| D | 7.40 in (188 mm) | | |
| Polycarbonate 10 × 12 in | | | |
| A | 12.10 in (307 mm) | E | 6.00 in (152 mm) |
| B | 11.50 in (292.1 mm) | F | 7.00 in (178 mm) |
| C | 10.50 to 11.30 in (267 to 287 mm) | G | 6.70 in (170 mm) |
| D | 9.30 in (236 mm) | | |





Part Number/Price

| Part # | Description | Price |
|--------|-----------------------------|---------|
| 21161 | EL168 one-cell junction box | \$80.00 |



Standard Features

- Non-metallic PVC enclosure with separate input and output cable fittings
- No soldering, compression or swaged fittings are required

Applications

- For splicing or extending load cell cable

Specifications

Dimensions:

(L × W × H)
4.0 × 4.0 × 2.5 in

Temperature:

Operating:
0 °F to 122 °F (-18 °C to 50 °C)

Cable Fittings:

Nylon waterproof strain-relief type

Cable Diameter:

0.079 to 0.314 in (2 to 8 mm)

Terminal Block:

Rated 300 V/15 A; seven-position, screw terminal can each accommodate up to #16 AWG

Warranty:

One-year limited

TP75 DC

Transient Protection



Standard Features

- Protects load cells and indicators from voltage transients
- Avalanche diode design
- Full six-wire with shield protection
- NEMA Type 4X enclosure
- Unlimited number of parallel load cells; up to eight in series
- Terminal lugs provided

Applications

- Tank, bin and hopper scales
- Truck and railroad scales
- Suitable for outdoor use

Part Number/Price

| Part # | Description | Price |
|--------|------------------------------|----------|
| 33185 | TP75 DC transient protection | \$335.00 |

Options/Accessories

| Part # | Description | Price |
|--------|--------------------|----------|
| 31164 | Circuit board only | \$260.00 |

Specifications

Protection Type:

Six-wire type with separate shield

Maximum Excitation Voltage:

22.8 VDC

Response Time:

Five nanoseconds

Peak Surge Currents:

100 amps

Grounding:

10 AWG wire or larger (not provided)

Cable Fitting:

(2) Nylon strain relief for 0.187 to 0.312 in diameter cable

Enclosure:

Impact-resistant polycarbonate NEMA Type 4X, maximum 40 psi washdown

Temperature:

Operating:
-4 °F to 149 °F (-20 °C to 65 °C)

Dimensions:

(L × W × H)
3.16 × 2.20 × 1.18 in

Warranty:

One-year limited

UJB3T6 DC

Transient Protection



Standard Features

- Protects load cells from voltage transients
- Compatible with signals down to 1 μ V per grad
- Factory serviceable
- Full six-wire with shield protection
- #6 SEMS screw type; accepts spade lugs, tinned leads or bare wires up to #12 AWG
- Up to eight parallel or summed load cells

Applications

- Installations exposed to significant transients
- Protects serial communication lines
- Protects load cells

Specifications

Protection Type:

Six-wire type with separate shield

Maximum Excitation Voltage:

20 VDC or 20 VAC

Clamping Voltage:

75 VDC or 75 VAC

Clamping Time:

75 VDC Stages <100 nanoseconds typical

Peak Surge Currents:

75 VDC Stage, 5,000 amps

Maximum Serial Transmission Rate:

50K baud

Series Resistance:

0.219 ohm typical

Series Inductance:

110 μ H typical

Grounding:

20 ft insulated #10 AWG wire

Cable Fitting:

(2) Nylon strain relief for 0.079 to 0.236 in diameter cable

Enclosure:

NEMA Type 4X, maximum 40 psi washdown
Fiberglass Reinforced Polyester (FRP)

Temperature:

Operating:
4 °F to 104 °F (-10 °C to 40 °C)

Circuit Board:

6.75 \times 4.75 in with anti-fungal coating

Dimensions:

(L \times W \times H)
7.63 \times 6.63 \times 3.25 in

Warranty:

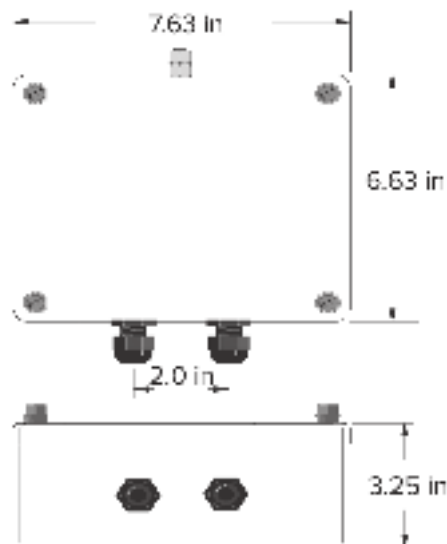
One-year limited

Part Number/Price

| Part # | Description | Price |
|--------|-------------|----------|
| 21134 | UJB3T6 | \$495.00 |

Options/Accessories

| Part # | Description | Price |
|--------|--|----------|
| 21135 | Six-wire load cell transient protector, board only | \$285.00 |



JUNCTION BOXES /
SIMULATORS



Approvals



Part Number/Price

| Part # | Description | Price |
|--------|-------------|----------|
| 69201 | TP232 | \$187.00 |

Options/Accessories

| Part # | Description | Price |
|--------|--------------------------------|---------|
| 17778 | 12 in ground strap | \$22.00 |
| 17781 | 24 in ground strap | \$22.00 |
| 69516 | Additional installation manual | \$6.00 |

Standard Features

- Two metal mounting brackets
- Three stages of protection: Gas discharge tube, series resistor and transient voltage suppressor (TVS)
- Two terminal posts for ground
- RS-232 high energy surge protector
- Terminal blocks for transmit, receive, request to send, clear to send and signal ground
- Safe for use with computers and PLCs
- Also works with RS-485, RS-422 and 20 mA

Applications

- Indicators
- Remote displays
- Printers
- Computers
- PLC

Specifications

- Clamping Voltage (Stage One):**
72 VDC minimum, 108 VDC maximum
- Series Resistance (Stage Two):**
2.7 ohm
- Clamping Voltage (Stage Three):**
14.3 V minimum, 15.7 V maximum
- Clamping Time:**
Less than 5 < 10-9 seconds
- Temperature:**
Operating:
0 °F to 122 °F (-18 °C to 50 °C)
- Connectors:**
Five-position terminal blocks
- Dimensions:**
(L x W x H)
Approximately 4.5 x 3.3 x 1.8 in
- Warranty:**
One-year limited
- Approvals:**
CE

Ranger 1

Variable Range Simulator



Part Number/Price

| Part # | Description | Price |
|--------|-----------------------------------|----------|
| 68029 | Ranger 1 variable range simulator | \$160.00 |

Options/Accessories

| Part # | Description | Price |
|--------|--------------------------------|---------|
| 21116 | Cable (4 ft) with banana plugs | \$68.00 |

Standard Features

- ABS plastic case, weighs less than 1 lb
- Large vernier knob, smooth 10-turn potentiometer
- Ideal tool for troubleshooting a scale system, bench testing stability of indicators and setpoint simulation

Specifications

- Variable Range:**
0 to 3 mV/V
- Impedance:**
700 ohm nominal
- Temperature:**
Operating:
0 °F to 122 °F (-18 °C to 50 °C)
- Connectors:**
Binding posts suitable for banana plug or 14 gauge wire
- Temperature Coefficient:**
±100 ppm/°C
- Dimensions:**
(L x W x H)
4.5 x 3.5 x 1.25 in
(114 x 89 x 32 mm)
- Warranty:**
One-year limited

JUNCTION BOXES /
SIMULATORS

Ranger 3

Variable Range Simulator



Standard Features

- ABS plastic case, weighs less than 1 lb
- Fixed rotary switch, -0.5 mV/V to 4.5 mV/V in nine steps of 0.5 mV/V per step
- Ideal tool for calibrating the indicator A/D offset and gain setting
- A/D calibration steps for -0.5 mV/V for offset and 4.5 mV/V for gain
- Used in troubleshooting and testing of systems

Specifications

Range:
-0.5 mV/V to 4.5 mV/V

Impedance:
350 ohm nominal

Nonlinearity:
Less than 0.02%

Connectors:
Binding posts suitable for banana plug or 14-gauge wire

Temperature Coefficient:
±5 ppm/°C

Dimensions:
(L × W × H)
4.5 × 3.5 × 1.25 in

Warranty:
One-year limited

Part Number/Price

| Part # | Description | Price |
|--------|--------------------|----------|
| 68030 | Ranger 3 simulator | \$425.00 |

Options/Accessories

| Part # | Description | Price |
|--------|--------------------------------|---------|
| 21116 | Cable (4 ft) with banana plugs | \$68.00 |

Transducer Simulator 4



Standard Features

- Designed for high accuracy
- Sealed lid with neoprene O-ring
- Dustproof and crush tested to 500 lb
- Four operational modes include: vernier adjustment, calibrated adjustment, 0.25 mV/V offset and 0.50 mV/V offset
- Ideal for setpoint or batching simulation

Specifications

Range:
Choose any fixed setting ± 0.25 mV or 0.50 mV through a 10-turn wire-wound potentiometer with locking clutch, fixed and variable

Maximum Voltage:
15 V

Linearity:
Less than ± 0.02% full scale

Temperature Coefficient:
Absolute 5 ppm/°C; tracking less than 0.5 ppm/°C

Load Factors:
Simulates one, two, three, four or eight 350 ohm load cells; or two, four, six, eight or 16 700 ohm load cells

Offset:
+0.25 mV/V for use with digitally calibrated meters requiring positive dead load for calibration

Connectors:
Binding posts, suitable for loose wires or banana jacks

Warranty:
One-year limited

Part Number/Price

| Part # | Description | Price |
|--------|------------------------|----------|
| 22513 | Transducer simulator 4 | \$835.00 |

Options/Accessories

| Part # | Description | Price |
|--------|--------------------------------|---------|
| 21116 | Cable (4 ft) with banana plugs | \$68.00 |

Ranger 5

Variable Range Simulator



Standard Features

- ABS plastic case, weighs less than 1 lb
- Fixed rotary switch, -0.5 mV/V to 4.5 mV/V in nine steps of 0.5 mV/V per step
- 10-turn vernier knob with locking graduated dial
- Vernier selection of four ranges: Off, Fine, Medium and Coarse
- Ideal tool for calibrating indicator A/D offset and gain setting
- A/D calibration steps for -0.5 mV/V for offset and 4.5 mV/V for gain
- Used in testing, troubleshooting and calibrating digital weight indicator

Specifications

- Fixed Steps:**
-0.5 mV/V to 4.5 mV/V
- Vernier:**
Variable range: up to 0.5 mV/V, up to 1 mV/V, up to 1.5 mV/V
- Impedance:**
350 ohm nominal
- Nonlinearity:**
Less than 0.02%
- Connectors:**
Binding posts suitable for banana plug or 14 gauge wire
- Temperature Coefficient:**
± 5 ppm/ °C
- Dimensions:**
(L × W × H)
4.5 × 3.5 × 1.25 in
- Warranty:**
One-year limited

Part Number/Price

| Part # | Description | Price |
|--------|--------------------|----------|
| 68031 | Ranger 5 simulator | \$510.00 |

Options/Accessories

| Part # | Description | Price |
|--------|--------------------------------|---------|
| 21116 | Cable (4 ft) with banana plugs | \$68.00 |

Ranger 7

Variable Range Simulator



Standard Features

- High resolution design
- Used in high precision testing, troubleshooting and calibrating digital weight indicators
- Switchable offset
- Painted die-cast enclosure

Specifications

- Vernier:**
Two ranges; one is equal to the sum of the 0.05 mV/V switch and the 0 to 0.5 mV/V switch. The other is the sum of the 0.5 mV/V, 0.1 mV/V and 0.01 mV/V switches.
- Load Impedance:**
Three settings:
X0.5: 700 ohm
X1: 350 ohm (one standard load cell)
X4: 87.5 ohm (four load cell platform)
- Linearity:**
± 0.01% + 1µV
- Connectors:**
Low Thermal Electronics, Type 2758 precision gold plated binding posts, standard banana jacks or 14 AWG wire
- Temperature Coefficient:**
5 ppm/ °C
- Zero Offset:**
± 0.0005 mV/V
- Output Range:**
0 to 3 mV/V in 0.01 mV/V steps
- LED Annunciators:**
EXC +
EXC -
Offset ON
0.5 mV/V
0.1 mV/V
- Warranty:**
One-year limited

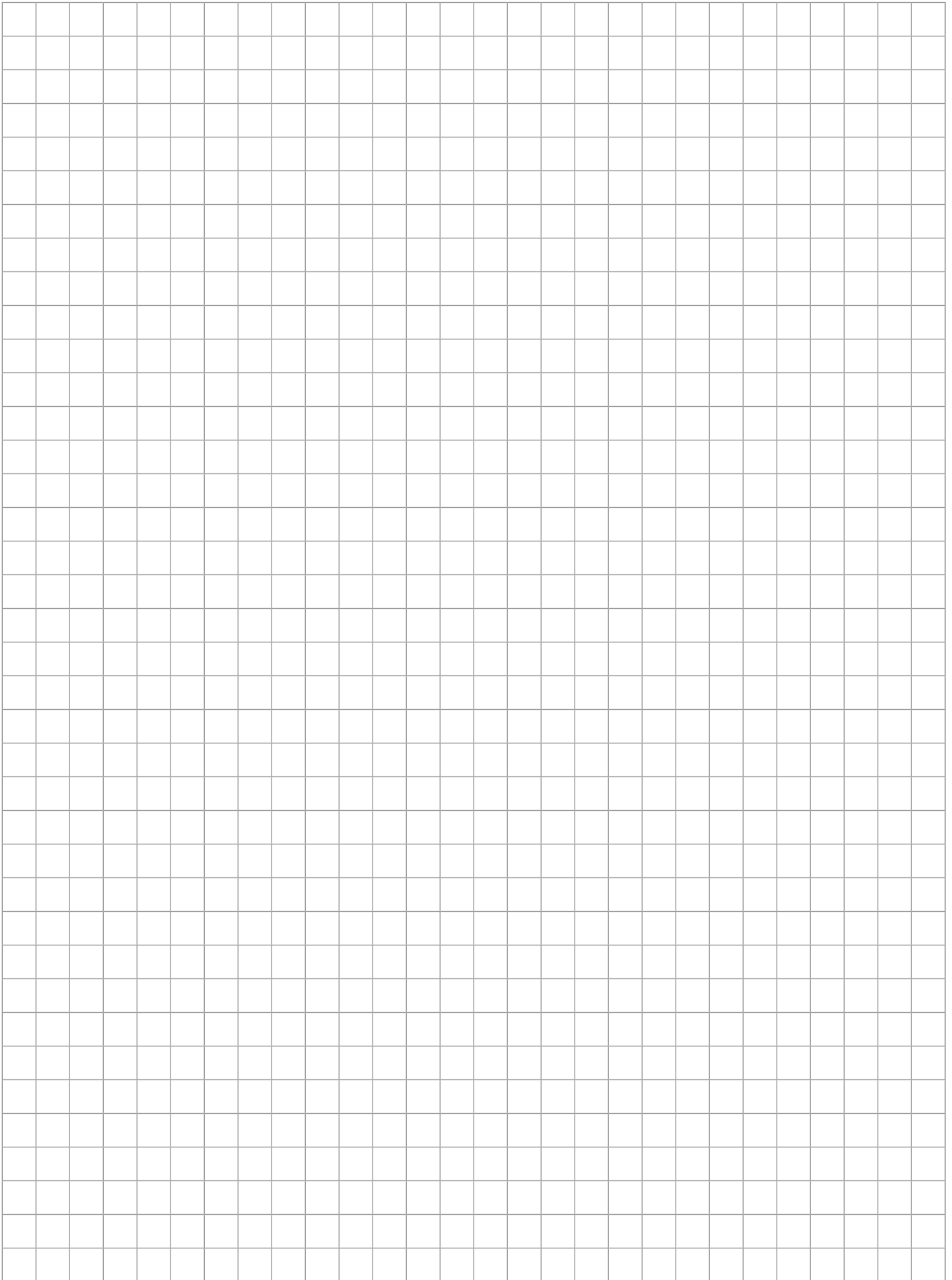
Part Number/Price

| Part # | Description | Price |
|--------|--|----------|
| 157323 | Ranger 7 high resolution calibration simulator | \$995.00 |

Options/Accessories

| Part # | Description | Price |
|--------|--------------------------------|---------|
| 21116 | Cable (4 ft) with banana plugs | \$68.00 |

JUNCTION BOXES /
SIMULATORS



Livestock Scales

TABLE OF CONTENTS

| | |
|---|------------|
| RoughDeck® SLV | 642 |
| <i>Single Animal Livestock Scale</i> | |
| RoughDeck® EQ | 644 |
| <i>Equine Floor Scale and Indicator Package</i> | |
| Farm Bars | 646 |
| <i>With 380 Indicator</i> | |
| Farm Bars | 647 |
| <i>Without Instrumentation</i> | |

The following product names, logos, brands and other trademarks featured or referred to within this publication are the property of their respective trademark holders.

RoughDeck® SLV

Single Animal Livestock Scale



Approvals



Standard Features

- Mild steel construction
- Rugged diamond safety treadplate deck
- Rigid structural steel channel frame
- NEMA Type 4X stainless steel side-access junction box without quick connector
- Signal trim summing board
- Four adjustable stainless steel SUREFOOT™ support feet
- SURVIVOR® EL147HE hostile environment load cell cable
- Four alloy steel load cells

Specifications

Full Scale Capacity:

4,000 lb, 1 lb increments

End Load Capacity:

125% full scale

Cable Length:

20 ft (6 m)

Warranty:

Two-year limited (scale only)

Approvals:

NTEP 92-001 Class III 4,000 d

Capacity not to exceed 4,000 lb x 1 lb and platform size not to exceed 32 sq ft

Part Number/Price

| Part # | Capacity | Outside Dimensions | Est. Weight | Price |
|--|---|--------------------|-------------|------------|
| 103617 | 4,000 lb, 20 ft without Quick Connect, modified to fit gate and rack (scale platform only) | 8 × 3 ft | 565 lb | \$3,500.00 |
| 78452 | 4,000 lb, 20 ft without Quick Connect (gate and rack not included) (scale platform only) | 8 × 3 ft | 565 lb | \$3,500.00 |
| 103619 | 4,000 lb, 20 ft without Quick Connect, modified to fit gate and rack (scale platform only) | 8 × 4 ft | 750 lb | \$3,600.00 |
| 78453 | 4,000 lb, 20 ft without Quick Connect (gate and rack not included) (scale platform only) | 8 × 4 ft | 750 lb | \$3,600.00 |
| RoughDeck SLV 4,000 lb Bundle Package (Ships Assembled) | | | | |
| 226205 | Scale Pkg, 3 × 8 ft scale, 4,000 lb capacity with racks, swing gates and kick plates, 380 Synergy indicator, factory calibrated prior to shipping with 1 lb increments | 8 × 3 ft | 1,200 lb | \$6,500.00 |
| 226206 | Scale Pkg, 3 × 8 ft scale, 4,000 lb capacity with sliding gate, deck, racks, gates, and kick plates, 380 Synergy indicator, factory calibrated prior to shipping with 1 lb increments | 8 × 3 ft | 1,310 lb | \$9,200.00 |
| 226207 | Scale Pkg, 4 × 8 ft scale, 4,000 lb capacity with racks, swing gates and kick plates, 380 Synergy indicator, calibrated prior to shipping with 1 lb increments | 8 × 4 ft | 1,500 lb | \$7,100.00 |
| 226209 | Scale Pkg, 4 × 8 ft scale, 4,000 lb capacity with sliding gate, deck, racks, gates and kick plates, 380 Synergy factory calibrated prior to shipping with 1 lb increments | 8 × 4 ft | 1,610 lb | \$9,800.00 |

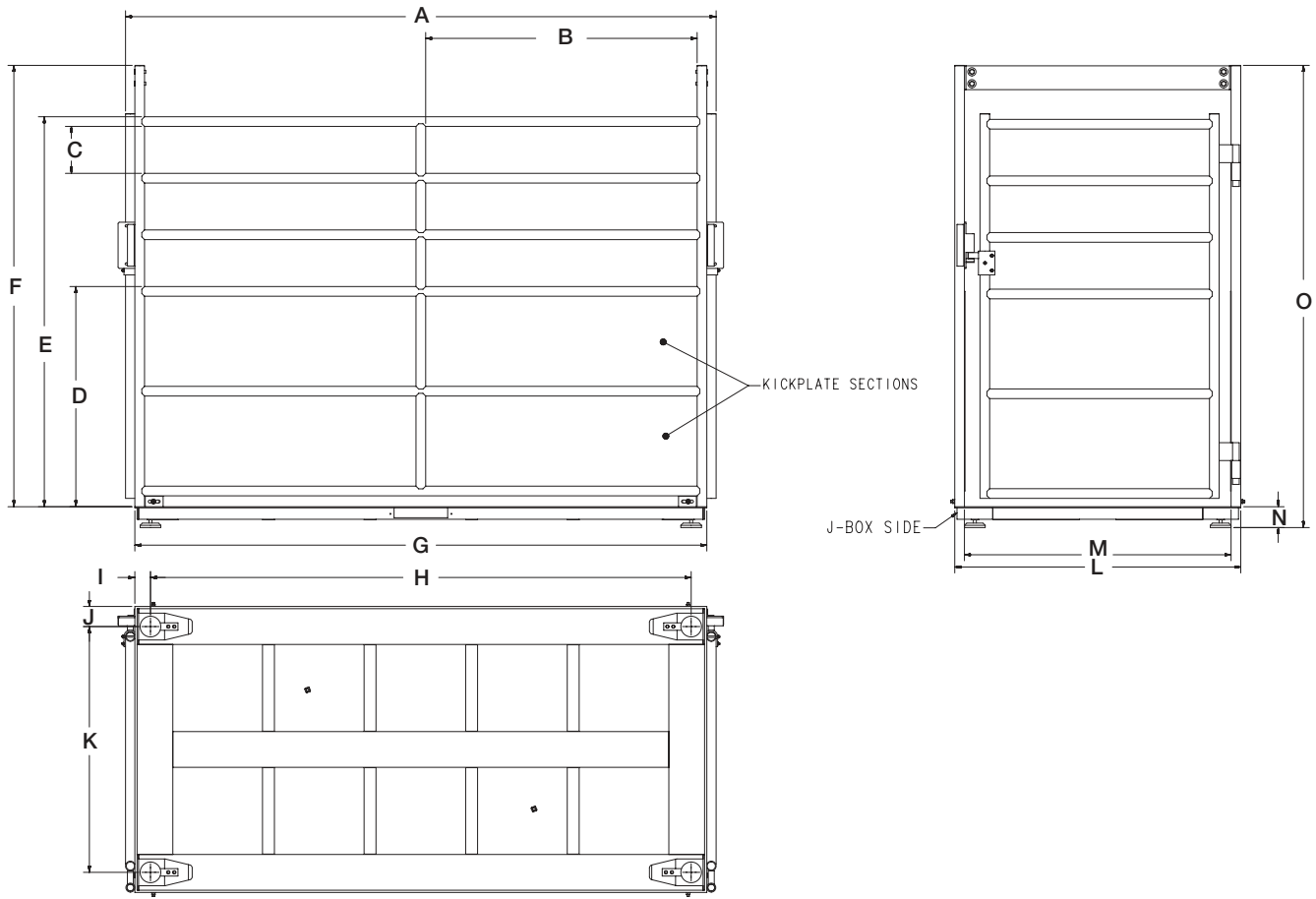
Options/Accessories

| Part # | Description | Price |
|---------|--|----------------------------|
| Consult | Smooth deck instead of diamond safety tread plate | N/C |
| Consult | Stainless steel load cells (RL32018S IP66) and hardware | \$120.00 list price add-on |
| Consult | Stainless steel hermetically sealed load cells (RL32218S-HE IP69K) and hardware | \$440.00 list price add-on |
| Consult | Angle iron bolted to scale for wood deck provisions (wood to be supplied by customer) | \$225.00 |
| Consult | Rubber mat | Consult |
| 226036 | 380 universal segmented LCD display, battery powered, Synergy Series with 4-pin quick connect ag scale cable | \$765.00 |
| 18777 | Floor anchor plates, mild steel (set of 2) | \$38.00 |
| 18778 | Floor anchor plates, stainless steel (set of 2) | \$50.00 |

LIVESTOCK SCALES

RoughDeck® SLV

Single Animal Livestock Scale



Dimensions

| RoughDeck SLV | | | |
|---------------|----------|---|----------|
| 3 × 8 ft | | | |
| A | 99.12 in | I | 2.63 in |
| B | 45.56 in | J | 3.38 in |
| C | 7.88 in | K | 29.25 in |
| D | 36.95 in | L | 36.00 in |
| E | 65.45 in | M | 32.75 in |
| F | 74.00 in | N | 3.50 in |
| G | 95.00 in | O | 77.58 in |
| H | 90.75 in | | |
| 4 × 8 ft | | | |
| A | 99.12 in | I | 2.63 in |
| B | 45.56 in | J | 3.38 in |
| C | 7.88 in | K | 41.25 in |
| D | 36.95 in | L | 48.00 in |
| E | 65.45 in | M | 44.75 in |
| F | 74.00 in | N | 3.50 in |
| G | 95.00 in | O | 77.58 in |
| H | 90.75 in | | |

RoughDeck® EQ

Equine Floor Scale and Indicator Package



Standard Features

- Package includes 4 ft × 6 ft × 4.25 in floor scale with stall mat, 20 ft of SURVIVOR EL147HE hostile environment load cell cable and indicator
- Mat thickness 0.75 in

Scale

- Heavy-duty design with structural steel channel frame
- Stall mat to reduce noise and instill equine comfort
- Four adjustable stainless steel SUREFOOT™ support feet
- Powder-coated black matte finish

Indicator

- LCD backlit display for a variety of environments
- Battery backed time and date
- Communication ports for connecting to a variety of peripherals

RoughDeck EQ Specifications

End Load Capacity:

100% full scale at 2,500 lb

Load Cells:

Model RL32018 alloy steel environmentally sealed IP66

Junction Box:

Side access, TuffSeal JB4SS stainless steel, NEMA Type 4X with a signal card

Feet:

Stainless steel SUREFOOT, adjustable (+0.25 in or -0.125 in) for leveling the scale

Finish:

Powder coat painted, black matte

Cable Length:

20 ft (6.1 m) for connecting scale junction box to indicator

Threaded Eyebolt:

One lifting hole located in center of scale for easy install (requires 1/2-20NF eyebolt, not included)

Warranty:

Two-year limited

482 Specifications

Power:

Line voltages: 100 to 240 VAC
Frequency: 50/60 Hz
DC voltages: n/a

Communication Ports:

Com 1: RS-232 full duplex
Com 2: RS-232 full duplex or 20 mA simplex, continuous
Both ports 1200, 2400, 4800, 9600, 19200, 38400 baud seven or eight data bits, even, odd or no parity

Optional Ethernet and USB Board:

USB five-pin header for PC, printer or flash drive
Ethernet TCP/IP, RJ45 jack, server and client ports

Display:

LCD backlit, transmissive/transflective, 0.8 in (20 mm), six-digit, seven-segment

Annunciators:

Gross, net, center of zero, standstill, lb, kg, tare, preset tare

Keys/Buttons:

Flat membrane panel, embossed keys, tactile feel

Rating/Material:

NEMA Type 4X/IP66
Stainless steel

Approvals:

NTEP 12-123
Measurement Canada AM-5892C
CE
cULus

Part Number/Price

| Part # | Size (W × L × H) | Capacity | Est. Weight | Price |
|--|-----------------------|----------------|-------------|------------|
| RoughDeck EQ Floor Scale with 482 Indicator | | | | |
| 207811 | 4 ft × 6 ft × 4.25 in | 2,500 × 0.5 lb | 610 lb | \$3,670.00 |

Note: Height includes stall mat

Options/Accessories

| Part # | Description | Price |
|---------|--|-----------------------------|
| Consult | Access ramps | + Consult list price add-on |
| Consult | Smooth deck instead of diamond safety tread plate | N/C |
| 12839* | 50 lb cast iron calibration weights | \$160.00 |
| 207812 | Guide rail, 5.66 ft long × 4.36 ft high, field installable, black matte finish | +\$295.00 list price add-on |
| 18777 | Floor anchor plates | \$38.00 |
| Consult | Hermetically sealed load cells | Consult |

*Quantity of 5 weights is recommended for 10% of capacity.



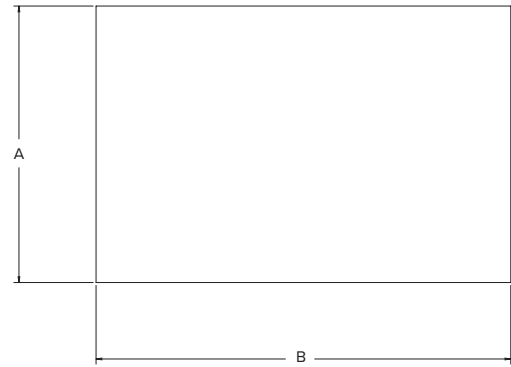
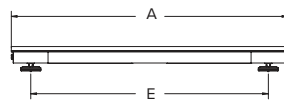
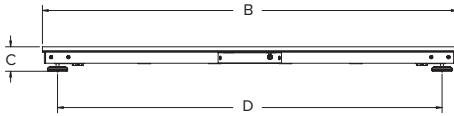
RoughDeck EQ with two optional guide rails installed

Dimensions

RoughDeck EQ

4 ft × 6 ft × 4.25 in with No Optional Guide Rail

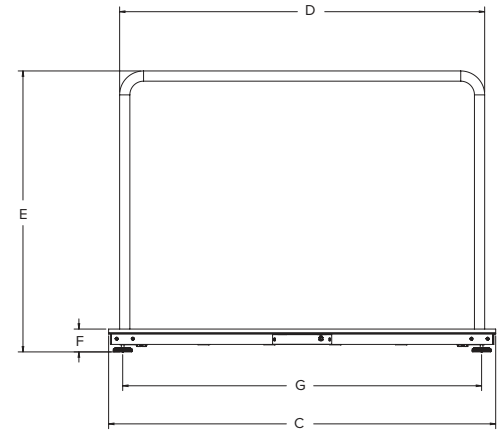
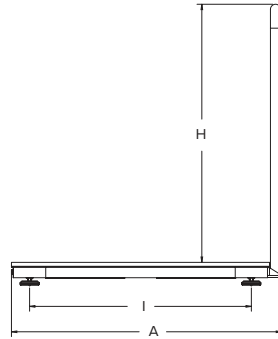
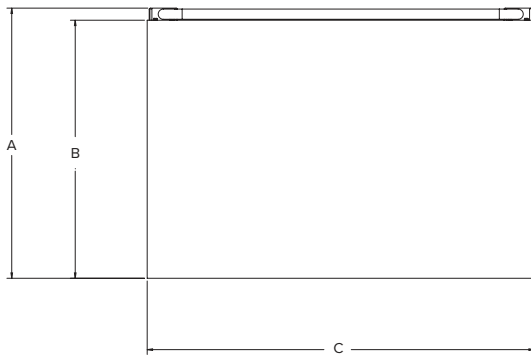
| | | | |
|---|----------|---|----------|
| A | 48.00 in | D | 66.76 in |
| B | 72.00 in | E | 41.25 in |
| C | 4.25 in | | |



RoughDeck EQ

4 ft × 6 ft × 4.25 in with One Optional Guide Rail

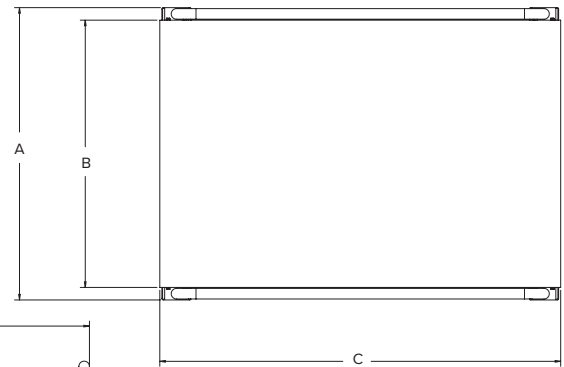
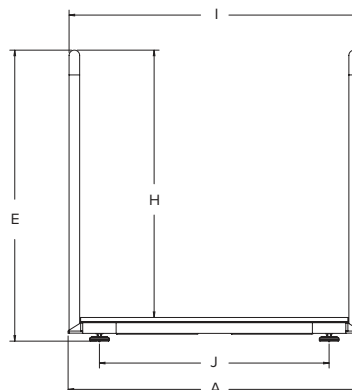
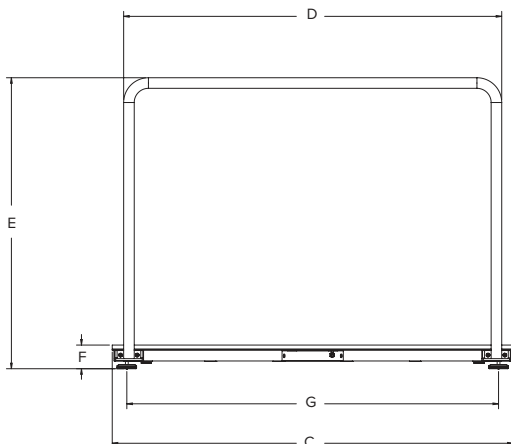
| | | | |
|---|----------|---|----------|
| A | 50.25 in | F | 4.25 in |
| B | 48.00 in | G | 66.76 in |
| C | 72.00 in | H | 48.00 in |
| D | 67.90 in | I | 41.25 in |
| E | 52.26 in | | |



RoughDeck EQ

4 ft × 6 ft × 4.25 in with Two Optional Guide Rails

| | | | |
|---|----------|---|----------|
| A | 50.25 in | F | 4.25 in |
| B | 48.00 in | G | 66.76 in |
| C | 72.00 in | H | 48.00 in |
| D | 67.90 in | I | 52.15 in |
| E | 52.26 in | J | 41.25 in |



Farm Bars

With 380 Indicator



Standard Features

- Indicator cable length 12 ft
- 3 ft ArmorGuard cable included
- Kit includes 380 Synergy Series digital weight indicator powered by four C-cell batteries (not included)
- Factory calibrated when sold with instrumentation
- Capacities from 2,500 to 10,000 lb
- Non-Legal for Trade

Specifications

Safe Overload:

150%

Full Scale Output:

3 mv/V nominal

Output is standardized for each model of load bar, consult factory for details

Maximum Excitation:

15 VDC

Nonlinearity:

0.02% full scale

Hysteresis:

0.02% full scale

Bridge Resistance:

350 ohm

Temperature:

-40 °F to 111 °F (-40 °C to 44 °C)

Cable Configuration:

8 ft between bars and 12 ft for the indicator

Warranty:

Two-year limited

380 Specifications

Power:

Batteries: Four alkaline C-cell (not included)
Optional: 115/230 VAC to 12 VDC adapter

Battery Life:

100 hours with 1 × 350 ohm load cell, no backlight

Communication Ports:

One RS-232 (three-wire)
One USB 2.0

Annunciators:

g, lb, t, tn, kg, oz, battery level, PT, LT, gross, zero, unstable, net

Display:

Six 1 in (25 mm) tall, LCD digits

Keys/Buttons:

5 tactile buttons

Rating/Material:

IP66
Stainless steel

Approvals:

NTEP 21-051
Measurement Canada AM-6184
CE
cULus

Part Number/Price

| Part # | Description | Est. Weight | Price |
|---------------------------|---|-------------|------------|
| With 380 Indicator | | | |
| 2,500 lb Capacity | | | |
| 214517 | 2,500U 22 – Farm Bar Kit, 22 in with 380, 2,500 capacity, square pads | 98 lb | \$3,600.00 |
| 5,000 lb Capacity | | | |
| 214518 | 5,000U 26 – Farm Bar Kit, 26 in with 380, 5,000 capacity, square pads | 117 lb | \$4,100.00 |
| 214519 | 5,000U 33 – Farm Bar Kit, 33 in with 380, 5,000 capacity, square pads | 123 lb | \$4,100.00 |
| 214520 | 5,000U 36 – Farm Bar Kit, 36 in with 380, 5,000 capacity, square pads | 128 lb | \$4,100.00 |
| 214521 | 5,000U 40 – Farm Bar Kit, 40 in with 380, 5,000 capacity, square pads | 134 lb | \$4,100.00 |
| 214522 | 5,000U 44 – Farm Bar Kit, 44 in with 380, 5,000 capacity, square pads | 140 lb | \$4,100.00 |
| 214523 | 5,000U 48 – Farm Bar Kit, 48 in with 380, 5,000 capacity, square pads | 146 lb | \$3,800.00 |
| 10,000 lb Capacity | | | |
| 214524 | 10,000U 32 – Farm Bar Kit, 32 in with 380, 10,000 capacity, square pads | 152 lb | \$5,100.00 |
| 214525 | 10,000U 36 – Farm Bar Kit, 36 in with 380, 10,000 capacity, square pads | 152 lb | \$5,100.00 |
| 214526 | 10,000U 48 – Farm Bar Kit, 48 in with 380, 10,000 capacity, square pads | 175 lb | \$5,100.00 |
| 214527 | 10,000U 60 – Farm Bar Kit, 60 in with 380, 10,000 capacity, square pads | 210 lb | \$5,100.00 |
| 214528 | 10,000U 72 – Farm Bar Kit, 72 in with 380, 10,000 capacity, square pads | 230 lb | \$5,100.00 |

Options/Accessories

| Part # | Description | Price |
|--------|--|----------|
| 159788 | Extension cable, farm bar, 10 ft long | \$260.00 |
| 127556 | Home run cable, 12 ft long, 4-pin male to blunt end, for indicator | \$120.00 |
| 202711 | 380 Universal Segmented LCD Display, Battery Powered | \$685.00 |
| 206433 | Power supply, 12 V 6 W | \$54.00 |
| 23113 | Printer TM-U295 | \$685.00 |
| 71630 | Scale tickets, 500/pack | \$60.00 |
| 15547 | Blunt end to DB25, RS-232 cable for printer to indicator | \$70.00 |

Farm Bars

Without Instrumentation



Part Number/Price

| Part # | Description | Est. Weight | Price |
|---------------------------|---|-------------|------------|
| 2,500 lb Capacity | | | |
| 152016 | 2,500 lb 22 – Farm Bar set, with square pads | 92 lb | \$3,300.00 |
| 5,000 lb Capacity | | | |
| 152018 | 5,000 lb 26 – Farm Bar set, with square pads | 111 lb | \$3,700.00 |
| 152019 | 5,000 lb 33 – Farm Bar set, with square pads | 117 lb | \$3,700.00 |
| 152020 | 5,000 lb 36 – Farm Bar set, with square pads | 122 lb | \$3,700.00 |
| 152021 | 5,000 lb 40 – Farm Bar set, with square pads | 128 lb | \$3,700.00 |
| 152022 | 5,000 lb 44 – Farm Bar set, with square pads | 134 lb | \$3,700.00 |
| 152023 | 5,000 lb 48 – Farm Bar set, with square pads | 140 lb | \$3,700.00 |
| 10,000 lb Capacity | | | |
| 185437 | 10,000 lb 32 – Farm Bar set, with square pads | 146 lb | \$4,600.00 |
| 152024 | 10,000 lb 36 – Farm Bar set, with square pads | 146 lb | \$4,600.00 |
| 152025 | 10,000 lb 48 – Farm Bar set, with square pads | 169 lb | \$4,600.00 |
| 152026 | 10,000 lb 60 – Farm Bar set, with square pads | 204 lb | \$4,600.00 |
| 152027 | 10,000 lb 72 – Farm Bar set, with square pads | 224 lb | \$4,600.00 |

Options/Accessories

| Part # | Description | Price |
|--------|--|----------|
| 159788 | Extension cable, farm bar, 10 ft long | \$260.00 |
| 127556 | Home run cable, 12 ft long, 4-pin male to blunt end, for indicator | \$120.00 |
| 202711 | 380 Universal Segmented LCD Display, Battery Powered | \$685.00 |
| 23113 | Printer TM-U295 | \$685.00 |
| 71630 | Scale tickets, 500/pack | \$60.00 |
| 15547 | Blunt end to DB25, RS-232 cable for printer to indicator | \$70.00 |
| 206433 | Power supply, 12 V 6 W | \$54.00 |

Standard Features

- 3 ft ArmorGuard cable included
- Capacities from 2,500 to 10,000 lb
- Non-Legal for Trade

Specifications

Safe Overload:

150%

Full Scale Output:

3 mv/V nominal

Output is standardized for each model of load bar, consult factory for details

Maximum Excitation:

15 VDC

Nonlinearity:

0.02% full scale

Hysteresis:

0.02% full scale

Bridge Resistance:

350 ohm

Temperature:

-40 °F to 111 °F (-40 °C to 44 °C)

Cable Configuration:

8 ft between bars and 12 ft for the indicator

Warranty:

Two-year limited

Farm Bars

Dimensions

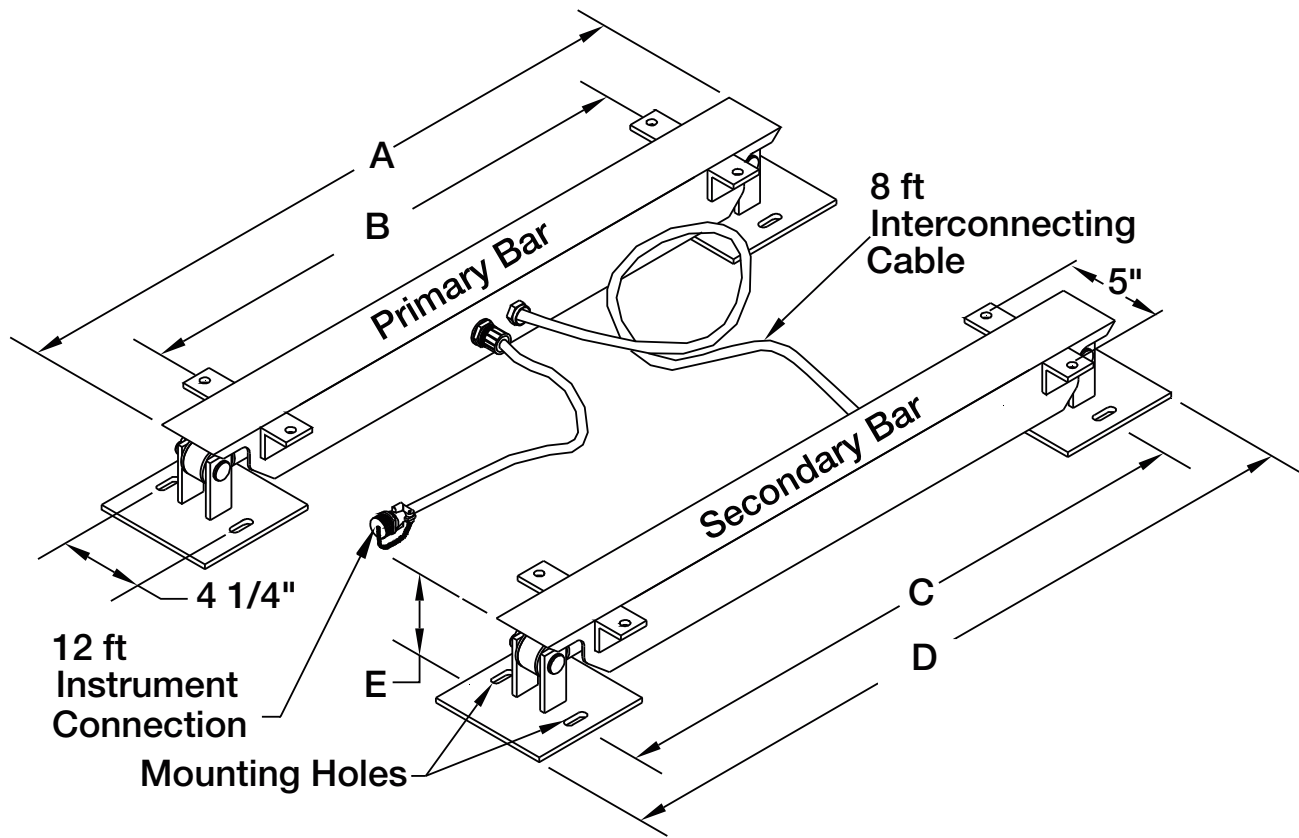
Dimensions

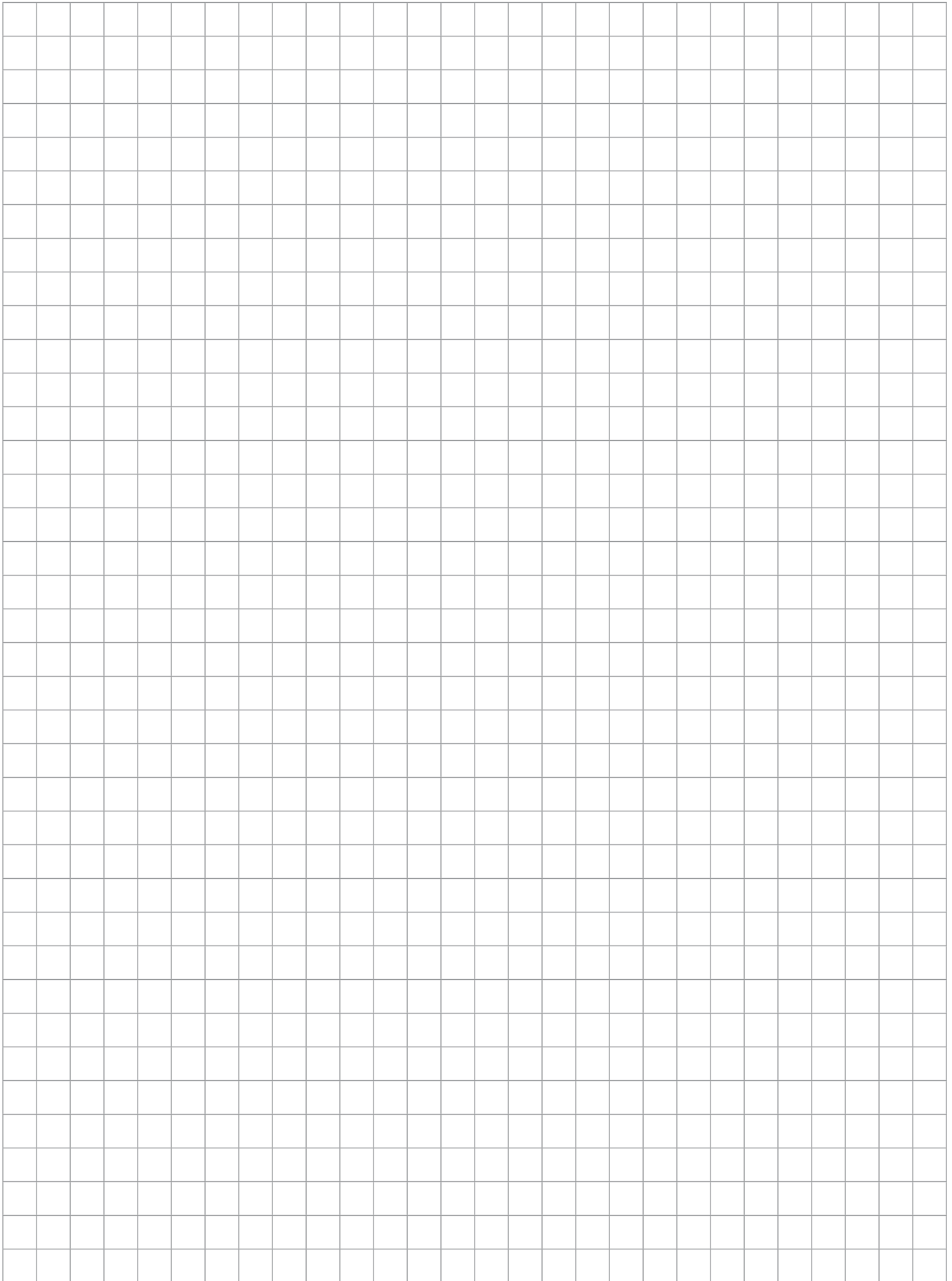
| Farm Bar 2,500U | | | | |
|-----------------|----------|----------|----------|---------|
| A | B* | C | D* | E |
| 22.00 in | 15.00 in | 19.75 in | 25.75 in | 4.00 in |

| Farm Bar 5,000U | | | | |
|-----------------|----------|----------|----------|---------|
| A | B* | C | D* | E |
| 26.00 in | 19.00 in | 23.75 in | 29.75 in | 4.00 in |
| 33.00 in | 26.00 in | 30.75 in | 36.75 in | 4.00 in |
| 36.00 in | 29.00 in | 33.75 in | 39.75 in | 4.00 in |
| 40.00 in | 33.00 in | 37.75 in | 43.75 in | 4.00 in |
| 44.00 in | 37.00 in | 41.75 in | 47.75 in | 4.00 in |
| 48.00 in | 41.00 in | 45.75 in | 51.75 in | 4.00 in |

| Farm Bar 10,000U | | | | |
|------------------|----------|----------|----------|---------|
| A | B* | C | D* | E |
| 32.00 in | 25.00 in | 29.75 in | 35.75 in | 4.00 in |
| 36.00 in | 29.00 in | 33.75 in | 39.75 in | 4.00 in |
| 48.00 in | 41.00 in | 45.75 in | 51.75 in | 4.00 in |
| 60.00 in | 53.00 in | 57.75 in | 63.75 in | 4.00 in |
| 72.00 in | 65.00 in | 69.75 in | 75.75 in | 4.00 in |

* B equals dimension A less 7 inches
* D equals dimension C plus 6 inches





Load Cells / Weigh Modules

| | | |
|--|-----|--|
| TABLE OF CONTENTS | | |
| SURVIVOR® Paramounts® HE | 652 | |
| RL1700 HE | 653 | |
| RL1600 HE Series | 654 | |
| RL1855 HE-HS | 655 | |
| RL2100 HE | 656 | |
| ITCM | 657 | |
| ITCM SS | 658 | |
| ITCM HE | 659 | |
| RL50210TA | 660 | |
| 65059 | 662 | |
| RL50219SS-TA | 664 | |
| Paramounts® EP | 666 | |
| Paramounts® HS | 668 | |
| RLBTM | 670 | |
| RL1800 Series | 671 | |
| RL1800 Series with MLC Coated Load Cell | 673 | |
| RL1900 Series | 674 | |
| RLTM | 675 | |
| RL9000TWM Series | 676 | |
| RL9000TWM-HT | 679 | |
| RL2200 Series | 680 | |
| RL2200SS Series | 681 | |
| RLC | 682 | |
| 220 Universal Mount | 683 | |
| EZ Mount 1 with RL72020 | 684 | |
| EZ Mount 1 SS with RL72020SS | 686 | |
| EZ Mount 1 with MLC Coated RL72020 | 687 | |
| EZ Mount 1 HE | 688 | |
| RL1600 Series with RL75016 | 689 | |
| RL1600 Series with RL75016 | 690 | |
| RL1600 Series with RL77032 | 691 | |
| RL1600 Series with RL75016SS | 692 | |
| RL1600 SS Series with RL77032SS | 693 | |
| RL1600 Series with MLC Coated RL75016 | 694 | |
| RL1600 HE Series with RL77032SS HE | 695 | |
| MVS Mount/MVS | 696 | |
| Translink™ Parallel Link | 697 | |
| Motor Truck Scale Electronic Conversion Kit | 698 | |
| MagnaMount™ | 699 | |
| Mettler Toledo® DigiTOL® Retrofit Kit | 700 | |
| Rice Lake Analog Retrofit Kit | 702 | |
| Electronic Floor Scale Underdeck Kits | 703 | |
| S-BEAM | | |
| RL20000I | 704 | |
| RL20000SS | 705 | |
| RL20000ST | 706 | |
| RL20001I | 707 | |
| RL20001HE | 708 | |
| RLETS | 709 | |
| SINGLE-ENDED BEAM | | |
| RL32022 | 710 | |
| RL32022-S | 711 | |
| RL32018 | 712 | |
| RL32018 MLC Coated | 713 | |
| RL32018S | 714 | |
| RL32018S-P | 715 | |
| RL32018S-HE | 716 | |
| RL32019S-HE | 717 | |
| RL32218S-HE | 718 | |
| RL9018SS | 719 | |
| RL30000I | 720 | |
| RL30002 Thru Hole | 721 | |
| RLH35 | 722 | |
| RL39123 | 723 | |
| RL32018S-T | 724 | |
| RL35023S MLC Coated | 725 | |
| RLHTO | 726 | |
| RLSSB | 727 | |
| RLSB250/RLSB250T | 728 | |
| RL50219SS | 729 | |
| RL50210 | 730 | |
| RL40BBS | 731 | |
| RL32011WB-L | 732 | |
| RL32011WB-T | 733 | |
| DOUBLE-ENDED BEAM | | |
| RL72020 | 734 | |
| RL72020SS | 735 | |
| RL72020 MLC Coated | 736 | |
| RL72019SS | 737 | |
| RL77032 | 738 | |
| RL77032SS | 739 | |
| RL77032SS HE | 740 | |
| RL75016 | 741 | |
| RL75016 MLC Coated | 742 | |
| RL75016SS | 743 | |
| RL75016SS-W | 744 | |
| RL75016WHE | 745 | |
| RL75058I for Rice Lake Coil Scale | 746 | |
| RL75058-LP | 747 | |
| RL75058S-LP | 748 | |
| RL75060S | 749 | |
| RL75223 | 750 | |
| RLDB50000S | 751 | |
| RL75040 | 752 | |
| COMPRESSION CANISTER | | |
| RLCSP1 | 753 | |
| RL8C2P1SST | 754 | |
| ROCKER COLUMN | | |
| RL82021 | 755 | |
| RLSCA-50K | 756 | |
| RL70510/RL80453 | 757 | |
| RL75114-50K | 758 | |
| COMPRESSION DISK | | |
| RL90000 | 759 | |
| RLPC3SS | 760 | |
| RLPC4SS-HE | 761 | |
| SINGLE POINT | | |
| RLPC6 | 762 | |
| RLPWM15HE | 763 | |
| RLPWM15 | 764 | |
| RLPCBC-60 | 765 | |
| RL1521A | 766 | |
| RL1010 | 767 | |
| RLSP4 | 768 | |
| RLPWM12 | 769 | |
| RLPWM16 | 770 | |
| RL1042 | 771 | |
| RL1040 | 772 | |
| RL1140 | 773 | |
| RL1380 | 774 | |
| RL1385 | 775 | |
| RL260FD | 776 | |
| RL26018A | 777 | |
| RL1218A | 778 | |
| RL42018A | 779 | |
| RLFLS | 780 | |
| PLANAR BEAM | | |
| RLBLP | 781 | |
| TENSION LINK | | |
| RL2010 | 782 | |
| MSI Load Pin Sensors | 783 | |
| MSI Load Pin Questionnaire | 784 | |
| MSI Tension Link | 785 | |
| MSI Clamp-On | 786 | |

Product names, logos, brands and other trademarks featured or referred to within this publication are the property of their respective trademark holders.

SURVIVOR® Paramounts® HE

Medium-capacity Weigh Module Systems

LOAD CELLS / WEIGH MODULES



Picture is a representation of actual product.

Order Information

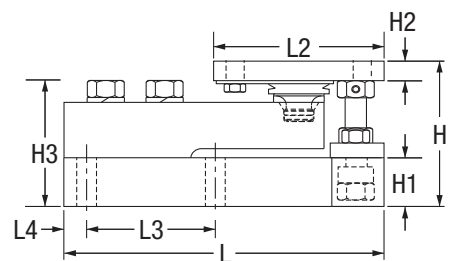
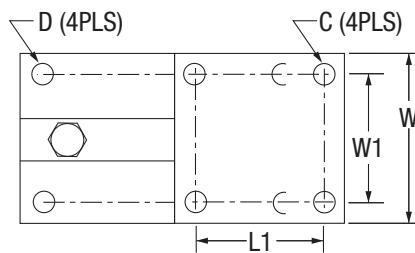
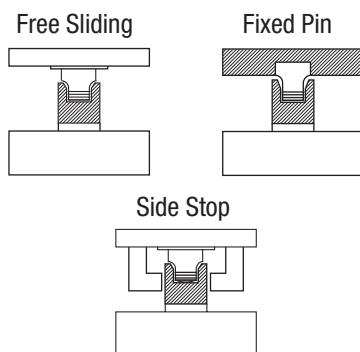
| Load Rating (Per Module) | Part # | Price |
|--|--------|------------|
| NTEP Certified/OIML C3 3-Module Kit | | |
| 5 kN | 29883 | \$4,314.00 |
| 10 kN | 29884 | \$4,314.00 |
| 23 kN | 29885 | \$4,314.00 |
| 50 kN | 29886 | \$5,835.00 |
| NTEP Certified/OIML C3 4-Module Kit | | |
| 5 kN | 29879 | \$5,734.00 |
| 10 kN | 29880 | \$5,734.00 |
| 23 kN | 29881 | \$5,734.00 |
| 50 kN | 29882 | \$7,378.00 |
| Non-NTEP Certified 3-Module Kit | | |
| 5 kN | 17991 | \$4,200.00 |
| 10 kN | 17992 | \$4,200.00 |
| 23 kN | 17993 | \$4,200.00 |
| 50 kN | 17994 | \$5,460.00 |
| 100 kN | 17995 | \$6,220.00 |
| Non-NTEP Certified 4-Module Kit | | |
| 5 kN | 17998 | \$5,480.00 |
| 10 kN | 17999 | \$5,480.00 |
| 23 kN | 18000 | \$5,480.00 |
| 50 kN | 18001 | \$6,906.00 |
| 100 kN | 18002 | \$8,644.00 |
| *Conduit adapter, 1/2-14 NPT | 17703 | \$50.00 |

*Must be factory installed

Dimensions

| Rated Capacity | C | D | H | H1 | *H2 | **H2 | H3 | L | L1 | L2 | L3 | L4 | W | W1 |
|----------------|------|------|------|------|------|------|------|-------|------|------|------|------|------|------|
| kN/in | | | | | | | | | | | | | | |
| 5 to 23 | 0.44 | 0.44 | 3.58 | 1.25 | 0.50 | 0.75 | 3.06 | 7.51 | 3.00 | 4.00 | 3.00 | 0.50 | 4.00 | 3.00 |
| 50 | 0.56 | 0.56 | 4.66 | 1.50 | 0.62 | 1.00 | 4.09 | 9.19 | 3.87 | 5.00 | 3.87 | 0.56 | 5.00 | 3.87 |
| 100 | 0.69 | 0.69 | 6.41 | 2.00 | 0.75 | 1.25 | 5.73 | 11.46 | 4.75 | 6.00 | 4.75 | 0.69 | 6.00 | 4.75 |

*Side stop and free sliding units **Fixed pin units



Complete Kit Includes

- One fixed-pin module, one side-stop module, and one or two free-sliding assemblies. Each module is complete with a Flintec SB4 stainless steel hermetically sealed load cell.
- One JB4SS NEMA Type 4X stainless steel signal trim junction box
- 25 ft of our hostile environment EL147HE SURVIVOR load cell cable

Standard Features

- All stainless steel construction
- Bolt-in-place design; module bolts directly to tank leg without requiring additional load buttons or mounting plates
- Load cell outputs are mV/V/ohm calibrated to minimize maintenance costs
- Unique design allows for thermal expansion/contraction
- Low-profile, self-checking design
- Jacking screw allows empty vessel to be lifted clear of load cell for maintenance
- Unique patented blind load hole technology minimizes unwanted side and eccentric loading
- Vessel is free to slide laterally on PTFE-coated surfaces

Applications

- Medium-capacity blenders and tanks
- Batching/blending
- Pharmaceutical processing
- Food processing
- Petroleum refining and batching

Load Cell Approvals



RL1700 HE

Light- to Medium-capacity Weigh Modules

LOAD CELLS / WEIGH MODULES



Picture is a representation of actual product.

Order Information

| Load Rating (Per Module) | Part # | Price |
|---|--------|------------|
| Single Module (Includes Load Cell) | | |
| 5 kg | 32687 | \$1,000.00 |
| 10 kg | 32688 | \$1,000.00 |
| 20 kg | 32689 | \$1,000.00 |
| 50 kg | 32690 | \$1,000.00 |
| 100 kg | 32691 | \$1,000.00 |
| 200 kg | 32692 | \$1,000.00 |
| 250 kg | 32693 | \$1,000.00 |
| 500 kg | 32974 | \$1,225.00 |
| 1,000 kg | 32973 | \$1,225.00 |
| 2,000 kg | 32972 | \$1,225.00 |
| 5,000 kg | 32971 | \$1,495.00 |
| 3-Module Kit | | |
| 5 kg | 32920 | \$3,215.00 |
| 10 kg | 32921 | \$3,215.00 |
| 20 kg | 32922 | \$3,215.00 |
| 50 kg | 32923 | \$3,215.00 |
| 100 kg | 32924 | \$3,215.00 |
| 200 kg | 32925 | \$3,215.00 |
| 250 kg | 32926 | \$3,215.00 |
| 500 kg | 32980 | \$3,875.00 |
| 1,000 kg | 32981 | \$3,875.00 |
| 2,000 kg | 32982 | \$3,875.00 |
| 5,000 kg | 32983 | \$4,785.00 |
| 4-Module Kit | | |
| 5 kg | 32927 | \$4,250.00 |
| 10 kg | 32928 | \$4,250.00 |
| 20 kg | 32929 | \$4,250.00 |
| 50 kg | 32930 | \$4,250.00 |
| 100 kg | 32931 | \$4,250.00 |
| 200 kg | 32932 | \$4,250.00 |
| 250 kg | 32933 | \$4,250.00 |
| 500 kg | 32984 | \$5,105.00 |
| 1,000 kg | 32985 | \$5,105.00 |
| 2,000 kg | 32986 | \$5,105.00 |
| 5,000 kg | 32987 | \$5,985.00 |

Dimensions

| Rated Capacity | C | B | *H1 | **H2 | L | L1 | L2 | L3 | L4 | L5 | W | W1 | W2 | W3 |
|----------------|------|------------|-------|-------|-------|------|-------|------|------|------|-------|------|------|------|
| kg/mm | | | | | | | | | | | | | | |
| 5 to 250 | 13.1 | 1/2-20 UNF | 80.0 | 86.1 | 131.8 | 63.8 | 76.0 | 42.0 | 56.0 | 14.1 | 101.4 | 70.0 | 15.5 | 25.4 |
| 500 to 2,000 | 13.1 | 5/8-18 UNF | 101.6 | 109.4 | 165.1 | 71.2 | 129.5 | 15.5 | 75.5 | 60.0 | 110.0 | 70.0 | 20.0 | 31.8 |
| 5,000 | 19.8 | 3/4-10 UNC | 135.0 | 143.0 | 215.0 | 81.0 | 161.0 | 20.0 | 90.0 | 70.0 | 150.0 | 90.0 | 30.0 | 40.0 |

* In weighing position ** In jacked-up position for load cell shipping or removal

Complete Kit Includes

- Three or four RL1700 HE stainless steel compression mounts with NTEP Certified RL9018SS (5 to 250 kg) or RLHTO (500 to 5,000 kg) stainless steel, hermetically sealed single-ended beam load cells
- One JB4SS NEMA Type 4X stainless steel signal-trim junction box
- 25 ft of our hostile environment EL147HE SURVIVOR load cell cable

Standard Features

- Capacities (per module) 5 kg to 5,000 kg
- All stainless steel, weldless construction retains less residue and allows fast, thorough cleaning
- Bolt-in-place design; module bolts directly to tank leg without requiring additional load buttons or mounting plates
- Self-checking with lift-off/tip-over protection and jacking/shipping bolts
- Load cell is isolated from overload in all directions

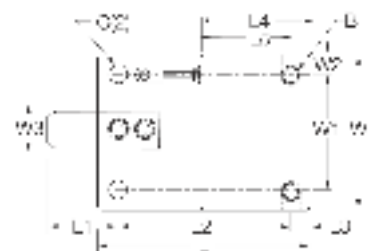
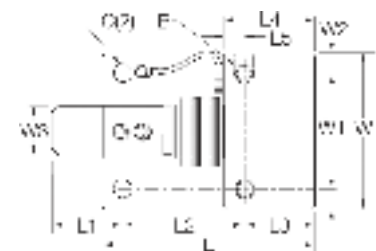
Applications

- Multi-ingredient micro-batching
- Meat and poultry processing
- Batching/blending
- Dye/ink blending

Load Cell Approvals



5 kg - 250 kg capacities



500 kg - 5,000 kg capacities

RL1600 HE Series

Medium-capacity with RL75016WHE Load Cells



LOAD CELLS / WEIGH MODULES



Picture is a representation of actual product.

Complete Kit Includes

- Three or four RL1600 HE stainless steel compression mounts with RL75016WHE stainless steel, hermetically sealed double-ended shear beam load cells
- One JB4SS NEMA Type 4X stainless steel signal trim junction box
- 25 ft of our hostile environment EL147HE SURVIVOR load cell cable

Standard Features

- All stainless steel construction
- Self-checking, easy-to-use design allows module to be bolted directly to tank leg without requiring additional mounting plates or load buttons
- Center loaded

Applications

- Medium-capacity tanks, bins and hoppers
- Bulk material management
- Ingredient batching, mixing and blending

Load Cell Approvals



Order Information

| Load Rating (Per Module) | Part # | Price |
|---|--------|------------|
| Single Mount Does Not Include Load Cells | | |
| 1,000 to 5,000 lb | 17813 | \$685.00 |
| 10,000 to 25,000 lb | 17815 | \$1,345.00 |
| 3-Module Kit | | |
| 1,000 lb | 46723 | \$4,500.00 |
| 1,500 lb | 119673 | \$4,500.00 |
| 2,000 lb | 119675 | \$4,500.00 |
| 2,500 lb | 46724 | \$4,500.00 |
| 5,000 lb | 46725 | \$4,500.00 |
| 10,000 lb | 46726 | \$6,725.00 |
| 15,000 lb | 46727 | \$6,725.00 |
| 20,000 lb | 84664 | \$6,725.00 |
| 25,000 lb | 46728 | \$6,725.00 |
| 4-Module Kit | | |
| 1,000 lb | 46729 | \$5,865.00 |
| 1,500 lb | 119674 | \$5,865.00 |
| 2,000 lb | 119676 | \$5,865.00 |
| 2,500 lb | 46730 | \$5,865.00 |
| 5,000 lb | 46731 | \$5,865.00 |
| 10,000 lb | 46732 | \$8,800.00 |
| 15,000 lb | 46733 | \$8,800.00 |
| 20,000 lb | 84665 | \$8,800.00 |
| 25,000 lb | 46734 | \$8,800.00 |
| Dummy Load Cells (Mild Steel) | | |
| 1,000 to 5,000 lb | 18236 | \$26.00 |
| 10,000 to 25,000 lb | 18237 | \$42.00 |

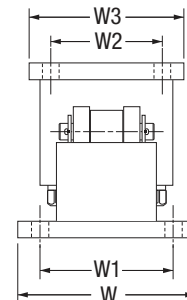
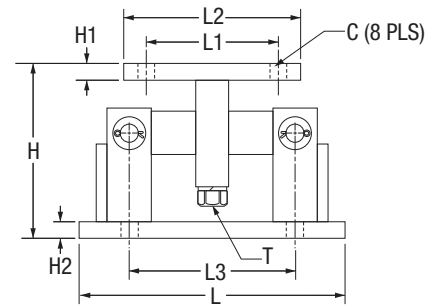
Shims*

| Part # | Price |
|----------------------------|----------------|
| 1,000 to 5,000 lb | |
| 0.0625 | 150852 \$7.00 |
| 0.125 | 150853 \$12.00 |
| 0.250 | 150854 \$18.00 |
| 10,000 to 25,000 lb | |
| 0.0625 | 150855 \$19.00 |
| 0.125 | 150856 \$30.00 |
| 0.250 | 150857 \$65.00 |

*Shims match the top plate

Dimensions

| Rated Capacity | C | H | H1 | H2 | L | L1 | L2 | L3 | T | W | W1 | W2 | W3 |
|----------------------|------|------|------|------|-------|------|------|------|------------|------|------|------|------|
| 1,000 to 5,000 lb/in | 0.56 | 5.00 | 0.50 | 0.50 | 9.25 | 2.75 | 4.00 | 6.25 | 1/2-13 UNC | 5.00 | 3.75 | 2.75 | 4.00 |
| 10,000 to 25,000 | 0.78 | 7.87 | 0.75 | 0.75 | 12.00 | 6.00 | 8.00 | 7.50 | 3/4-10 UNC | 8.00 | 6.00 | 6.00 | 8.00 |



RL1855 HE-HS

Medium-capacity Weigh Modules



Picture is a representation of actual product.

Complete Kit Includes

- Three or four RL1855 HE stainless steel mounts with RL32218S-HE NTEP Certified hermetically sealed stainless steel load cells
- One JB4SS NEMA Type 4X stainless steel signal trim junction box
- 25 ft of hostile environment EL147HE SURVIVOR load cell cable

Standard Features

- NTEP Certified load cells, 5,000 d Class III multiple load cell
- All stainless steel construction
- Self-checking design with lift off/tip off protection

Applications

- Medium-capacity hoppers, bins and tanks
- Batching/blending

Load Cell Approvals

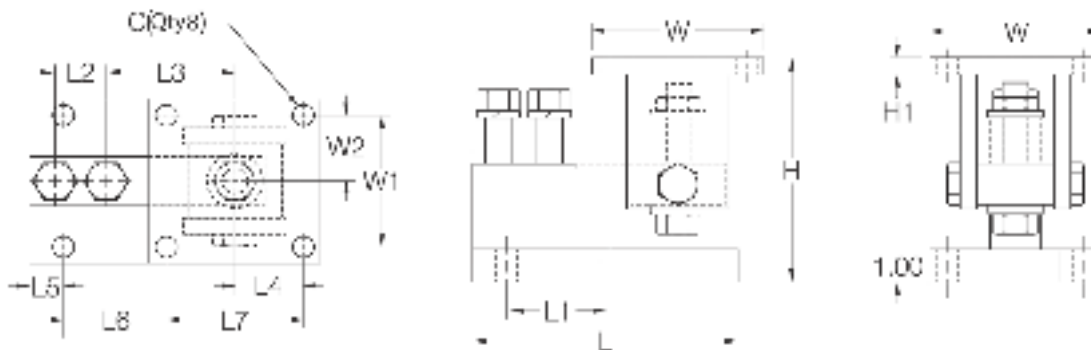


Order Information

| Load Rating (Per Module) | Part # | Price |
|--|--------|------------|
| Single Modules (Includes Load Cell) | | |
| 1,000 lb | 170857 | \$1,065.00 |
| 2,500 lb | 170858 | \$1,065.00 |
| 4,000 lb | 170859 | \$1,065.00 |
| 5,000 lb | 170860 | \$1,150.00 |
| 10,000 lb | 170861 | \$1,150.00 |
| 3-Module Kit | | |
| 1,000 lb | 170862 | \$3,354.00 |
| 2,500 lb | 170863 | \$3,354.00 |
| 4,000 lb | 170864 | \$3,354.00 |
| 5,000 lb | 170865 | \$3,615.00 |
| 10,000 lb | 170866 | \$3,615.00 |
| 4-Module Kit | | |
| 1,000 lb | 170867 | \$4,360.00 |
| 2,500 lb | 170868 | \$4,360.00 |
| 4,000 lb | 170869 | \$4,360.00 |
| 5,000 lb | 170870 | \$4,765.00 |
| 10,000 lb | 170871 | \$4,765.00 |

Dimensions

| Rated Capacity | C | H min/ max | H1 | L | L1 | L2 | L3 | L4 | L5 | L6 | L7 | W | W1 | W2 |
|-----------------|------|---------------|------|------|------|------|------|------|------|------|------|------|------|------|
| lb/in | | | | | | | | | | | | | | |
| 1,000 to 4,000 | 0.62 | 5.25/5.56 | 0.50 | 6.00 | 2.00 | 1.00 | 3.00 | 2.00 | 0.68 | 1.94 | 4.00 | 5.00 | 4.00 | 2.00 |
| 5,000 to 10,000 | 0.62 | 6.12/6.62 | 0.50 | 7.75 | 3.00 | 1.50 | 3.75 | 2.00 | 1.03 | 2.97 | 4.00 | 5.00 | 4.00 | 2.00 |



LOAD CELLS / WEIGH MODULES

RL2100 HE

Heavy-capacity Weigh Modules

LOAD CELLS /
WEIGH MODULES



Picture is a representation of actual product.

Complete Kit Includes

- Three or four RL2100 HE stainless steel compression mounts with NTEP Certified RL75060S or RL75058S-LP stainless steel, welded seal double-ended beam load cells
- One JB4SS NEMA Type 4X stainless steel signal-trim junction box
- 25 ft of our hostile environment EL147HE SURVIVOR load cell cable

Standard Features

- NTEP Certified load cells, 5,000 d, Class III/10,000 d, Class III multiple cell
- All stainless steel construction
- Bolt-in-place design; module bolts directly to tank leg without requiring additional load buttons or mounting plates
- Self-checking design with lift-off/tip-over protection

Applications

- Heavy-capacity tanks, blenders, reactors and bulk inventory management
- Petroleum refining process control
- Blending/batching

Load Cell Approvals

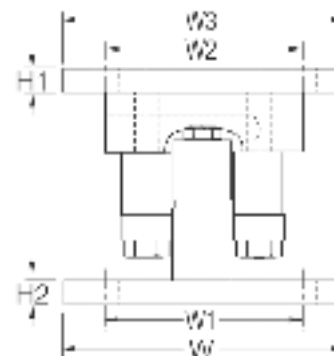
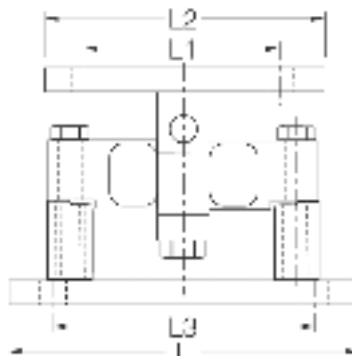
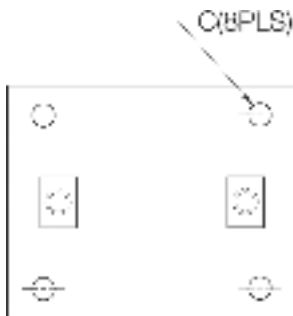


Order Information

| Load Rating (Per Module) | Part # | Price |
|---|--------|-------------|
| Single Module (Includes Load Cell) | | |
| 20,000 lb | 32951 | \$1,822.00 |
| 25,000 lb | 65541 | \$1,785.00 |
| 35,000 lb | 32952 | \$2,860.00 |
| 50,000 lb | 32953 | \$2,860.00 |
| 60,000 lb | 32954 | \$2,860.00 |
| 75,000 lb | 32955 | \$2,860.00 |
| 100,000 lb | 32956 | \$4,895.00 |
| 3-Module Kit | | |
| 20,000 lb | 32970 | \$5,608.00 |
| 25,000 lb | 65984 | \$5,608.00 |
| 35,000 lb | 32969 | \$8,861.00 |
| 50,000 lb | 32968 | \$8,861.00 |
| 60,000 lb | 32967 | \$8,861.00 |
| 75,000 lb | 32966 | \$8,861.00 |
| 100,000 lb | 32965 | \$14,583.00 |
| 4-Module Kit | | |
| 20,000 lb | 32964 | \$7,404.00 |
| 25,000 lb | 65983 | \$7,404.00 |
| 35,000 lb | 32963 | \$11,382.00 |
| 50,000 lb | 32962 | \$11,382.00 |
| 60,000 lb | 32961 | \$11,382.00 |
| 75,000 lb | 32960 | \$11,382.00 |
| 100,000 lb | 32959 | \$19,362.00 |

Dimensions

| Rated Capacity | C | H | H1 | H2 | L | L1 | L2 | L3 | W | W1 | W2 | W3 |
|-------------------|------|------|------|------|-------|------|------|-------|-------|------|------|------|
| lb/in | | | | | | | | | | | | |
| 20,000 to 25,000 | 0.78 | 6.85 | 0.75 | 0.75 | 10.00 | 6.00 | 8.00 | 7.50 | 8.00 | 6.00 | 6.00 | 8.00 |
| 35,000 to 100,000 | 1.13 | 9.42 | 1.00 | 1.00 | 14.00 | 6.50 | 9.00 | 11.50 | 10.00 | 7.50 | 6.50 | 9.00 |





Module with
RL200001 S-beam load cell

Complete Kit Includes

- Three or four ITCM assemblies with RL200001 NTEP Certified S-beam load cells
- One JB4SS NEMA Type 4X stainless steel signal trim junction box
- 25 ft of hostile environment EL147HE SURVIVOR® load cell cable

Standard Features

- Capacities (per module): 100 to 20,000 lb
- Clevis mounts with nylon insulating washers
- Zinc-plated clevis assemblies
- Load cell is completely isolated from stray currents (except 20,000 lb)
- Grounding strap provides alternative path to ground
- Complete package for ease of installation
- Provides correct loading even in difficult installations
- Lower overall height compared to other isolated tension assemblies

Applications

- Suspended hoppers and tanks
- Mechanical scale conversions
- Use as a single module or in multiples

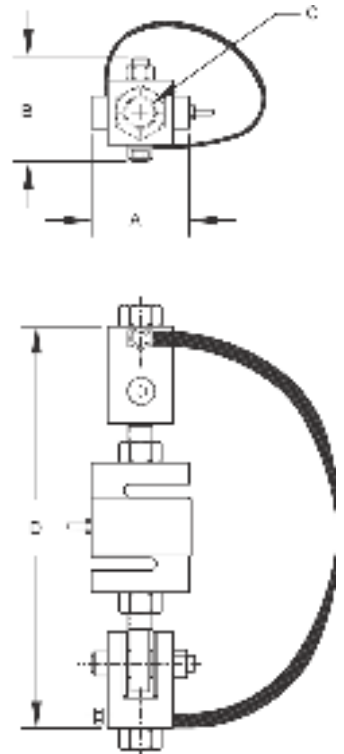
Picture is a representation of actual product.

Load Cell Approvals



Load Rating Dimensions Per Module

| Load Cell Capacity lb/in | Load Cell Dimensions | | | | Single Module | | 3-Module Kit | | 4-Module Kit | |
|-----------------------------|----------------------|------|-------------|-------------|---------------|------------|--------------|------------|--------------|------------|
| | A | B | C | D | Module | Price | Kit | Price | Kit | Price |
| 100 | 2.00 | 1.81 | 3/8-16 UNC | 7.00 (ref) | 17851 | \$566.00 | 18003 | \$1,995.00 | 18027 | \$2,573.00 |
| | | | 1/2-13 UNC | | 17831 | \$566.00 | 18004 | \$1,995.00 | 18028 | \$2,573.00 |
| 150 | 2.00 | 1.81 | 3/8-16 UNC | 7.00 (ref) | 30337 | \$566.00 | 30357 | \$1,995.00 | 30359 | \$2,573.00 |
| | | | 1/2-13 UNC | | 30336 | \$566.00 | 30358 | \$1,995.00 | 30360 | \$2,573.00 |
| 200 | 2.00 | 1.81 | 3/8-16 UNC | 7.00 (ref) | 30335 | \$566.00 | 30361 | \$1,995.00 | 30363 | \$2,573.00 |
| | | | 1/2-13 UNC | | 30338 | \$566.00 | 30362 | \$1,995.00 | 30364 | \$2,573.00 |
| 250 | 2.00 | 1.81 | 3/8-16 UNC | 7.00 (ref) | 17852 | \$566.00 | 18005 | \$1,995.00 | 18029 | \$2,573.00 |
| | | | 1/2-13 UNC | | 17832 | \$566.00 | 18006 | \$1,995.00 | 18030 | \$2,573.00 |
| 500 | 2.68 | 2.68 | 1/2-13 UNC | 9.50 (ref) | 17853 | \$619.00 | 18007 | \$2,138.00 | 18031 | \$2,762.00 |
| | | | 5/8-11 UNC | | 17858 | \$619.00 | 18008 | \$2,138.00 | 18032 | \$2,762.00 |
| | | | 3/4-10 UNC | | 17833 | \$619.00 | 18009 | \$2,138.00 | 18033 | \$2,762.00 |
| 750 | 2.68 | 2.68 | 1/2-13 UNC | 9.50 (ref) | 17854 | \$619.00 | 18010 | \$2,138.00 | 18034 | \$2,762.00 |
| | | | 5/8-11 UNC | | 17859 | \$619.00 | 18011 | \$2,138.00 | 18035 | \$2,762.00 |
| | | | 3/4-10 UNC | | 17834 | \$619.00 | 18012 | \$2,138.00 | 18036 | \$2,762.00 |
| 1,000 | 2.68 | 2.68 | 1/2-13 UNC | 9.50 (ref) | 17855 | \$619.00 | 18013 | \$2,138.00 | 18037 | \$2,762.00 |
| | | | 5/8-11 UNC | | 17860 | \$619.00 | 18014 | \$2,138.00 | 18038 | \$2,762.00 |
| | | | 3/4-10 UNC | | 17835 | \$619.00 | 18015 | \$2,138.00 | 18039 | \$2,762.00 |
| 1,500 | 2.68 | 2.68 | 1/2-13 UNC | 9.50 (ref) | 17856 | \$619.00 | 18016 | \$2,138.00 | 18040 | \$2,762.00 |
| | | | 5/8-11 UNC | | 17861 | \$609.00 | 18017 | \$2,138.00 | 18041 | \$2,762.00 |
| | | | 3/4-10 UNC | | 17836 | \$609.00 | 18018 | \$2,138.00 | 18042 | \$2,762.00 |
| 2,000 | 2.68 | 2.68 | 1/2-13 UNC | 9.50 (ref) | 17857 | \$609.00 | 18019 | \$2,138.00 | 18043 | \$2,762.00 |
| | | | 5/8-11 UNC | | 17862 | \$619.00 | 18020 | \$2,138.00 | 18044 | \$2,762.00 |
| | | | 3/4-10 UNC | | 17837 | \$619.00 | 18021 | \$2,138.00 | 18045 | \$2,762.00 |
| 2,500 | 2.68 | 2.68 | 5/8-11 UNC | 9.50 (ref) | 17863 | \$619.00 | 18022 | \$2,138.00 | 18046 | \$2,762.00 |
| | | | 3/4-10 UNC | | 17838 | \$619.00 | 18023 | \$2,138.00 | 18047 | \$2,762.00 |
| 3,000 | 3.37 | 3.37 | 3/4-10 UNC | 10.50 (ref) | 30339 | \$646.00 | 30365 | \$2,229.00 | 30366 | \$2,873.00 |
| 5,000 | 3.37 | 3.37 | 3/4-10 UNC | 12.25 (ref) | 17864 | \$842.00 | 18024 | \$2,773.00 | 18048 | \$3,657.00 |
| | | | 1-8 UNC | | 17839 | \$842.00 | 18025 | \$2,773.00 | 18049 | \$3,657.00 |
| 10,000 | 3.37 | 3.37 | 1-8 UNC | 12.25 (ref) | 17840 | \$842.00 | 18026 | \$2,773.00 | 18050 | \$3,657.00 |
| 15,000 | 4.00 | 4.12 | 1 1/4-7 UNC | 18.00 (ref) | 17960 | \$1,756.00 | 30353 | \$5,642.00 | 30354 | \$7,406.00 |
| 20,000 | 5.00 | 4.12 | 1 1/2-6 UNC | 20.00 (ref) | 17961 | \$2,064.00 | 30355 | \$5,642.00 | 30356 | \$8,630.00 |



ITCM SS

Stainless Steel, Isolated Tension Cell Modules

LOAD CELLS /
WEIGH MODULES



Module with
RL20000ST S-beam load cell

Complete Kit Includes

- Three or four ITCM assemblies with RL20000ST NTEP Certified S-beam load cells
- One JB4SS NEMA Type 4X stainless steel signal trim junction box
- 25 ft of hostile environment EL147HE SURVIVOR® load cell cable

Standard Features

- Capacities (per module): 100 to 5,000 lb
- Clevis mounts with nylon insulating washers
- PTFE lined rod-end ball joints
- Load cell is completely isolated from stray currents
- Grounding strap provides alternative path to ground
- Complete package for ease of installation
- Provides correct loading even in difficult installations
- Lower overall height compared to other isolated tension assemblies

Applications

- Suspended hoppers and tanks
- Mechanical scale conversions
- Use as a single module or in multiples

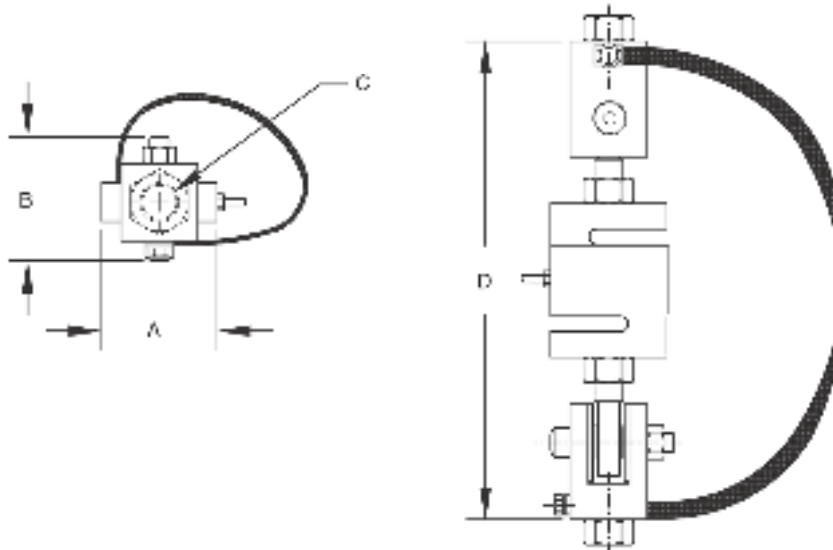
Picture is a representation of actual product.

Load Cell Approvals



Load Rating Dimensions Per Module

| Load Cell Capacity lb/in | A | B | C | D | Single Module | | 3-Module Kit | | 4-Module Kit | |
|-----------------------------|------|------|------------|-------------|---------------|------------|--------------|------------|--------------|------------|
| | | | | | | Price | | Price | | Price |
| 100 | 2.00 | 1.81 | 3/8-16 UNC | 7.00 (ref) | 46765 | \$892.00 | 46735 | \$2,809.00 | 46751 | \$3,598.00 |
| | | | 1/2-13 UNC | | 46766 | \$892.00 | 46736 | \$2,809.00 | 46752 | \$3,598.00 |
| 250 | 2.00 | 1.81 | 3/8-16 UNC | 7.00 (ref) | 46767 | \$892.00 | 46737 | \$2,809.00 | 46753 | \$3,598.00 |
| | | | 1/2-13 UNC | | 46768 | \$892.00 | 46738 | \$2,809.00 | 46754 | \$3,598.00 |
| 500 | 2.68 | 2.68 | 1/2-13 UNC | 9.50 (ref) | 46769 | \$892.00 | 46739 | \$2,809.00 | 46755 | \$3,598.00 |
| | | | 5/8-11 UNC | | 46770 | \$892.00 | 46740 | \$2,809.00 | 46756 | \$3,598.00 |
| 750 | 2.68 | 2.68 | 1/2-13 UNC | 9.50 (ref) | 46771 | \$892.00 | 46741 | \$2,809.00 | 46757 | \$3,598.00 |
| | | | 5/8-11 UNC | | 46772 | \$892.00 | 46742 | \$2,809.00 | 46758 | \$3,598.00 |
| 1,000 | 2.68 | 2.68 | 1/2-13 UNC | 9.50 (ref) | 46773 | \$892.00 | 46743 | \$2,809.00 | 46759 | \$3,598.00 |
| | | | 5/8-11 UNC | | 46774 | \$892.00 | 46744 | \$2,809.00 | 46760 | \$3,598.00 |
| 2,500 | 2.68 | 2.68 | 5/8-11 UNC | 9.50 (ref) | 46775 | \$892.00 | 46745 | \$2,809.00 | 46761 | \$3,598.00 |
| | | | 3/4-10 UNC | | 46776 | \$892.00 | 46746 | \$2,809.00 | 46762 | \$3,598.00 |
| 3,000 | 3.37 | 3.37 | 3/4-10 UNC | 10.75 (ref) | 46777 | \$962.00 | 46747 | \$3,105.00 | 46763 | \$3,890.00 |
| | | | 3/4-10 UNC | | 46778 | \$1,651.00 | 46748 | \$5,103.00 | 46764 | \$6,608.00 |





Picture is a representation of actual product.



Module with
RL20001HE S-beam load cell

Complete Kit Includes

- Three or four ITCM assemblies with RL20001HE NTEP Certified S-beam load cells stainless steel, welded-seal
- One JB4SS NEMA Type 4X stainless steel signal trim junction box
- 25 ft of hostile environment EL147HE SURVIVOR® load cell cable

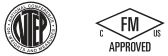
Standard Features

- Capacities (per module): 500 to 5,000 lb
- Clevis mounts with nylon insulating washers
- PTFE lined rod-end ball joints
- Load cell is completely isolated from stray currents
- Grounding strap provides alternative path to ground
- Complete package for ease of installation
- Provides correct loading even in difficult installations
- Lower overall height compared to other isolated tension assemblies

Applications

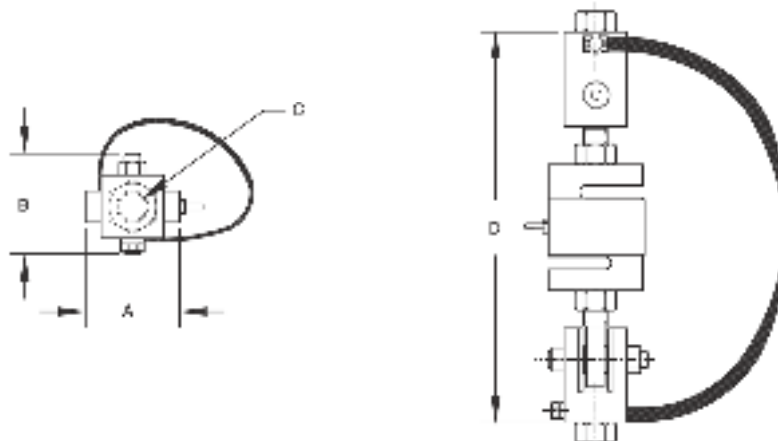
- Suspended hoppers and tanks
- Mechanical scale conversions
- Use as a single module or in multiples

Load Cell Approvals



Load Rating Dimensions Per Module

| Load Cell Capacity lb/in | A | B | C | D | Single Module | | 3-Module Kit | | 4-Module Kit | |
|-----------------------------|------|------|--|-------------|-------------------------|--|-------------------------|--|-------------------------|--|
| | | | | | | Price | | Price | | Price |
| 500 | 2.68 | 2.68 | 1/2-13 UNC 5/8-11 UNC 3/4-10 UNC | 9.50 (ref) | 46599 46600 46601 | \$1,618.00 \$1,618.00 \$1,618.00 | 46561 46562 46563 | \$4,702.00 \$4,702.00 \$4,702.00 | 46580 46581 46582 | \$6,269.00 \$6,269.00 \$6,269.00 |
| 750 | 2.68 | 2.68 | 1/2-13 UNC 5/8-11 UNC 3/4-10 UNC | 9.50 (ref) | 46602 46603 46604 | \$1,618.00 \$1,618.00 \$1,618.00 | 46564 46565 46566 | \$4,702.00 \$4,702.00 \$4,702.00 | 46583 46584 46585 | \$6,269.00 \$6,269.00 \$6,269.00 |
| 1,000 | 2.68 | 2.68 | 1/2-13 UNC 5/8-11 UNC 3/4-10 UNC | 9.50 (ref) | 46605 46606 46607 | \$1,618.00 \$1,618.00 \$1,618.00 | 46567 46568 46569 | \$4,702.00 \$4,702.00 \$4,702.00 | 46586 46587 46588 | \$6,269.00 \$6,269.00 \$6,269.00 |
| 1,500 | 2.68 | 2.68 | 1/2-13 UNC 5/8-11 UNC 3/4-10 UNC | 9.50 (ref) | 46608 46609 46610 | \$1,618.00 \$1,618.00 \$1,618.00 | 46570 46571 46572 | \$4,702.00 \$4,702.00 \$4,702.00 | 46589 46590 46591 | \$6,269.00 \$6,269.00 \$6,269.00 |
| 2,000 | 2.68 | 2.68 | 1/2-13 UNC 5/8-11 UNC 3/4-10 UNC | 9.50 (ref) | 46611 46612 46613 | \$1,618.00 \$1,618.00 \$1,618.00 | 46573 46574 46575 | \$4,702.00 \$4,702.00 \$4,702.00 | 46592 46593 46594 | \$6,269.00 \$6,269.00 \$6,269.00 |
| 2,500 | 2.68 | 2.68 | 5/8-11 UNC 3/4-10 UNC | 9.50 (ref) | 46614 46615 | \$1,618.00 \$1,618.00 | 46576 46577 | \$4,702.00 \$4,702.00 | 46595 46596 | \$6,269.00 \$6,269.00 |
| 3,000 | 3.37 | 3.37 | 3/4-10 UNC | 10.00 (ref) | 46616 | \$1,618.00 | 46578 | \$4,702.00 | 46597 | \$6,269.00 |
| 5,000 | 3.37 | 3.37 | 3/4-10 UNC | 12.62 (ref) | 46617 | \$2,399.00 | 46579 | \$7,042.00 | 46598 | \$9,338.00 |



RL50210TA

Mild Steel/Stainless Steel, Mini Tank Weighing Module

LOAD CELLS /
WEIGH MODULES



RL50210TA mild steel (50lb-250lb)



Picture is a representation of actual product.

Load Cell Approvals



NTEP Certified 1,000lb mild steel load cell shown.

Complete Kit Includes

- Three or four neoprene isolation/compression mounts with load cells
 - 50 to 250 lb mild steel: RL50210
 - 500 lb mild steel: RL30000 or equivalent
 - 1,000 to 2,500 lb mild steel: RL32018
 - 500 lb stainless steel: RL39123 or equivalent
 - 1,000 to 2,500 lb stainless steel: RL32018S
- One JB4SS NEMA Type 4X stainless steel signal trim junction box
- 25 ft of hostile environment EL147HE SURVIVOR® load cell cable

Standard Features

- NTEP Certified load cells (1,000 lb, 2,000 lb and 2,500 lb only)
- Zinc plated mild steel or stainless steel assemblies
- Weighing ranges from 50 to 2,500 lb per module
- Neoprene isolation mounts allow for minor misalignment, thermal expansion and shock absorption
- Overload stop provides durability

Applications

- Small tanks and hoppers
- Conveyor/In-motion weighing
- Small platform scales where minor shock loading may occur

Optional Features

- Stainless steel modules available in 500 lb capacities with RL39123 stainless steel load cells

Order Information

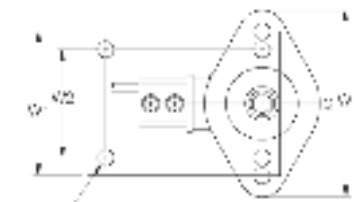
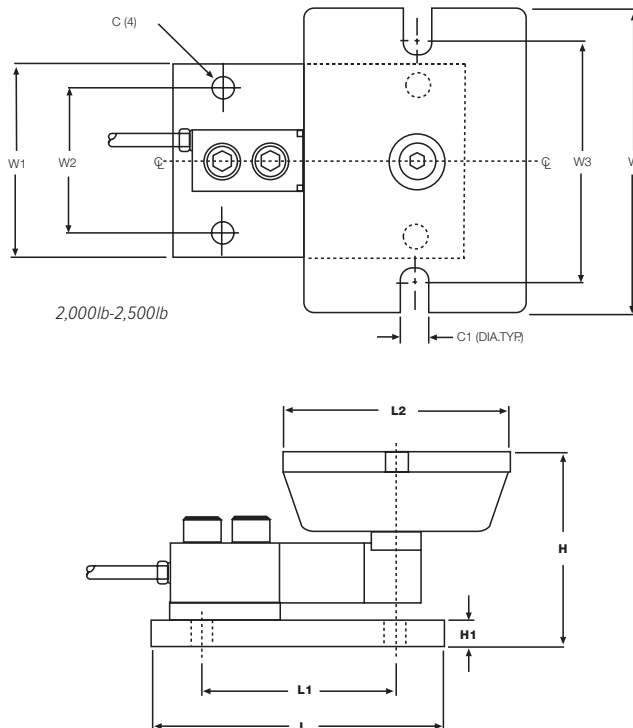
| Load Rating (Per Module) | Part # | Price |
|---|--------|------------|
| Non-NTEP Certified Mild Steel Single Module (Includes Load Cell) | | |
| 50 lb | 17844 | \$470.00 |
| 100 lb | 17845 | \$470.00 |
| 150 lb | 17846 | \$470.00 |
| 250 lb | 17847 | \$470.00 |
| 500 lb | 17848 | \$625.00 |
| NTEP Certified Mild Steel Single Module (Includes Load Cell) | | |
| 1,000 lb | 17849 | \$625.00 |
| 2,000 lb | 17948 | \$625.00 |
| 2,500 lb | 17949 | \$625.00 |
| Non-NTEP Certified Mild Steel 3-Module Kit | | |
| 50 lb | 18051 | \$1,645.00 |
| 100 lb | 18052 | \$1,645.00 |
| 150 lb | 18053 | \$1,645.00 |
| 250 lb | 18054 | \$1,645.00 |
| 500 lb | 18055 | \$2,135.00 |
| NTEP Certified Mild Steel 3-Module Kit | | |
| 1,000 lb | 18056 | \$2,135.00 |
| 2,000 lb | 30398 | \$2,135.00 |
| 2,500 lb | 30396 | \$2,135.00 |
| Non-NTEP Certified Mild Steel 4-Module Kit | | |
| 50 lb | 18057 | \$2,115.00 |
| 100 lb | 18058 | \$2,115.00 |
| 150 lb | 18059 | \$2,115.00 |
| 250 lb | 18060 | \$2,115.00 |
| 500 lb | 18061 | \$2,700.00 |

Order Information

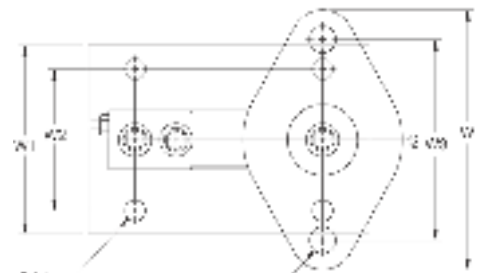
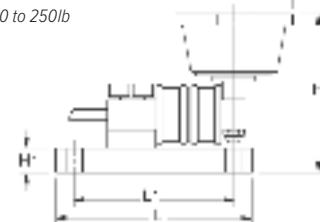
| Load Rating (Per Module) | Part # | Price |
|---|--------|------------|
| NTEP Certified Mild Steel 4-Module Kit | | |
| 1,000 lb | 18062 | \$2,700.00 |
| 2,000 lb | 30397 | \$2,700.00 |
| 2,500 lb | 30395 | \$2,700.00 |
| Stainless Steel Single Module (Includes Load Cell) | | |
| 500 lb | 17954 | \$735.00 |
| 1,000 lb | 17955 | \$695.00 |
| 2,000 lb | 17956 | \$695.00 |
| 2,500 lb | 17957 | \$695.00 |
| Stainless Steel 3-Module Kit | | |
| 500 lb | 30394 | \$2,435.00 |
| 1,000 lb | 30404 | \$2,435.00 |
| 2,000 lb | 30402 | \$2,435.00 |
| 2,500 lb | 30400 | \$2,435.00 |
| Stainless Steel 4-Module Kit | | |
| 500 lb | 30393 | \$3,190.00 |
| 1,000 lb | 30403 | \$3,190.00 |
| 2,000 lb | 30401 | \$3,190.00 |
| 2,500 lb | 30399 | \$3,190.00 |

Dimensions

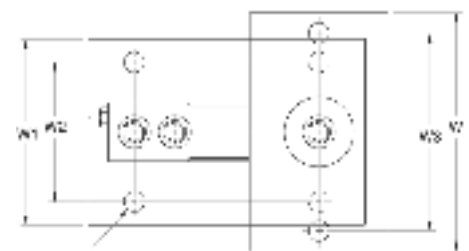
| Rated Capacity | C | C1 | H | H1 | L | L1 | L2 | W | W1 | W2 | W3 |
|----------------|------|------|------|------|------|------|------|------|------|------|------|
| lb/in | | | | | | | | | | | |
| 50 to 250 | 0.34 | - | 3.13 | 0.50 | 4.00 | 3.25 | 2.38 | 3.88 | 3.00 | 2.25 | - |
| 500 | 0.44 | 0.56 | 3.88 | 0.50 | 6.00 | 4.00 | 3.38 | 5.50 | 4.00 | 3.00 | 4.13 |
| 1,000 | 0.44 | - | 4.00 | 0.50 | 6.00 | 4.00 | 3.00 | 5.13 | 4.00 | 3.00 | 4.13 |
| 2,000 to 2,500 | 0.44 | 0.56 | 4.00 | 0.50 | 6.00 | 4.00 | 4.62 | 6.25 | 4.00 | 3.00 | 5.00 |



50 to 250lb



500lb



1,000lb



65059

Mild Steel/Stainless Steel, Mini Tank Weighing Module, VPG® Sensortronics®

LOAD CELLS /
WEIGH MODULES



NTEP Certified 1,000lb load cell shown.

65059 mild steel (50lb-250lb)

Picture is a representation of actual product.

Load Cell Approvals



Order Information

| Load Rating (Per Module) | Part # | Price |
|--|--------|------------|
| Mild Steel Single Module (Includes Load Cell) | | |
| 50 lb | 17825 | \$470.00 |
| 100 lb | 17826 | \$470.00 |
| 150 lb | 17827 | \$470.00 |
| 250 lb | 17828 | \$470.00 |
| 500 lb | 17829 | \$625.00 |
| 1,000 lb | 17830 | \$625.00 |
| 2,000 lb | 17946 | \$625.00 |
| 2,500 lb | 17947 | \$625.00 |
| Mild Steel 3-Module Kit | | |
| 50 lb | 18063 | \$1,645.00 |
| 100 lb | 18064 | \$1,645.00 |
| 150 lb | 18065 | \$1,645.00 |
| 250 lb | 18066 | \$1,645.00 |
| 500 lb | 18067 | \$2,135.00 |
| 1,000 lb | 18068 | \$2,135.00 |
| 2,000 lb | 30413 | \$2,088.00 |
| 2,500 lb | 30412 | \$2,135.00 |
| Mild Steel 4-Module Kit | | |
| 50 lb | 18069 | \$2,115.00 |
| 100 lb | 18070 | \$2,115.00 |
| 150 lb | 18071 | \$2,115.00 |
| 250 lb | 18072 | \$2,115.00 |
| 500 lb | 18073 | \$2,700.00 |
| 1,000 lb | 18074 | \$2,645.00 |
| 2,000 lb | 30414 | \$2,700.00 |
| 2,500 lb | 30411 | \$2,700.00 |

Complete Kit Includes

- Three or four neoprene isolation/compression mounts with NTEP Certified load cells
 - 50 to 250 lb mild steel: 60040
 - 500 lb mild steel: 65023-500-0107
 - 1,000 to 2,500 lb mild steel: 65023A1K-5107
 - 500 lb stainless steel: 65023-500-0113
 - 1,000 to 2,500 lb stainless steel: 65023S1K-5113
- One JB4SS NEMA Type 4X stainless steel signal trim junction box
- 25 ft of hostile environment EL147HE SURVIVOR® load cell cable

Standard Features

- Zinc plated, mild steel modules
- Lower weighing ranges from 50 to 500 lb per module
- Environmentally protected load cells
- Neoprene isolation/compression mounts allow for minor misalignment, thermal expansion and shock absorption
- Overload stop for 500 lb modules provides durability

Applications

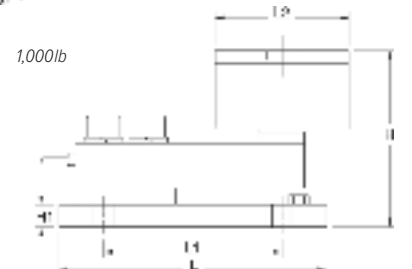
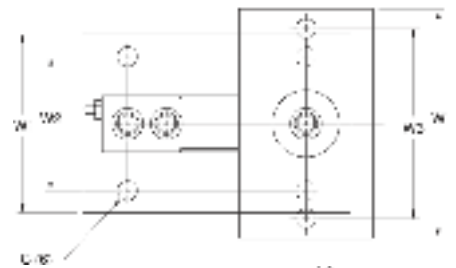
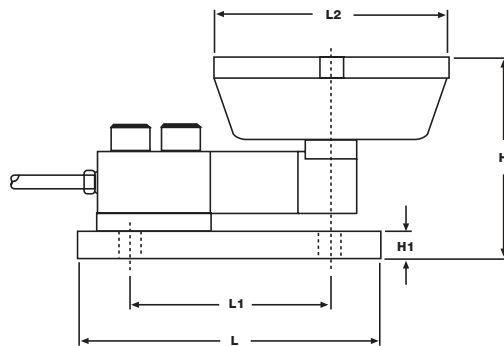
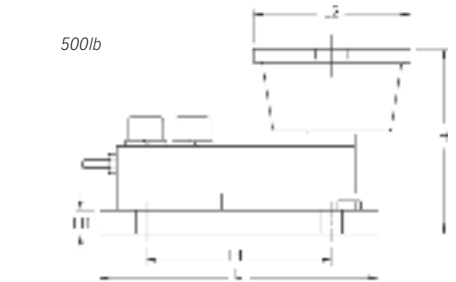
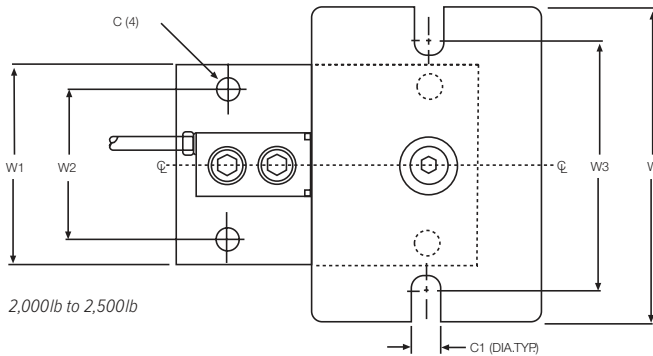
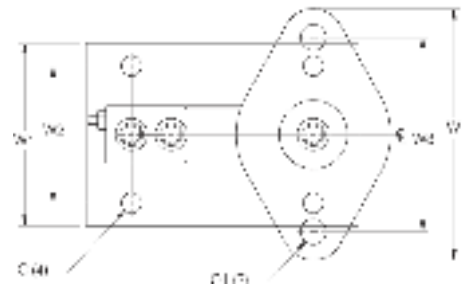
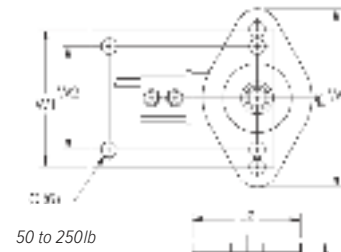
- Small tanks and hoppers
- Conveyor/In-motion weighing
- Small platform scales where minor shock loading may occur

Order Information

| Load Rating (Per Module) | Part # | Price |
|---|--------|------------|
| Stainless Steel Single Module (Includes Load Cell) | | |
| 500 lb | 17950 | \$735.00 |
| 1,000 lb | 17951 | \$735.00 |
| 2,000 lb | 17952 | \$735.00 |
| 2,500 lb | 17953 | \$735.00 |
| Stainless Steel 3-Module Kit | | |
| 500 lb | 30392 | \$2,435.00 |
| 1,000 lb | 30410 | \$2,435.00 |
| 2,000 lb | 30408 | \$2,435.00 |
| 2,500 lb | 30406 | \$2,435.00 |
| Stainless Steel 4-Module Kit | | |
| 500 lb | 30391 | \$3,190.00 |
| 1,000 lb | 30409 | \$3,190.00 |
| 2,000 lb | 30407 | \$3,190.00 |
| 2,500 lb | 30405 | \$3,190.00 |

Dimensions

| Rated Capacity | C | C1 | H | H1 | L | L1 | L2 | W | W1 | W2 | W3 |
|----------------|------|------|------|------|------|------|------|------|------|------|------|
| 50 to 250 | 0.34 | - | 3.13 | 0.50 | 4.00 | 3.25 | 2.38 | 3.88 | 3.00 | 2.25 | - |
| 500 | 0.44 | 0.56 | 3.88 | 0.50 | 6.00 | 4.00 | 3.38 | 5.50 | 4.00 | 3.00 | 4.13 |
| 1,000 | 0.44 | - | 4.00 | 0.50 | 6.00 | 4.00 | 3.00 | 5.13 | 4.00 | 3.00 | 4.13 |
| 2,000 to 2,500 | 0.44 | 0.56 | 4.00 | 0.50 | 6.00 | 4.00 | 4.62 | 6.25 | 4.00 | 3.00 | 5.00 |



RL50219SS-TA

Stainless Steel, Mini Tank Weighing Module

LOAD CELLS /
WEIGH MODULES



RL50219SS-TA (50lb to 250lb)

Picture is a representation of actual product.

Complete Kit Includes

- Three or four neoprene isolation/compression mounts with load cells
50 to 250 lb model: RL50219SS
500 lb model: stainless steel single-ended beam
- One JB4SS NEMA Type 4X stainless steel signal trim junction box
- 25 ft of hostile environment EL147HE SURVIVOR® load cell cable

Standard Features

- Stainless steel modules
- Lower weighing ranges from 50 to 500 lb per module
- Environmentally protected load cells
- Neoprene isolation/compression mounts allow for minor misalignment, thermal expansion and shock absorption
- Overload stop for 500 lb modules provides durability

Applications

- Small tanks and hoppers
- Conveyor/In-motion weighing
- Small platform scales where minor shock loading may occur

Order Information

| Load Rating (Per Module) | Part # | Price |
|---|--------|------------|
| Single Module (Includes Load Cell) | | |
| 50 lb | 196829 | \$710.00 |
| 75 lb | 196830 | \$710.00 |
| 100 lb | 196831 | \$710.00 |
| 150 lb | 196832 | \$710.00 |
| 250 lb | 196833 | \$710.00 |
| 500 lb | 17954 | \$735.00 |
| 3-Module Kit | | |
| 50 lb | 196840 | \$2,410.00 |
| 75 lb | 196841 | \$2,410.00 |
| 100 lb | 196842 | \$2,410.00 |
| 150 lb | 196843 | \$2,410.00 |
| 250 lb | 196844 | \$2,410.00 |
| 500 lb | 30394 | \$2,435.00 |
| 4-Module Kit | | |
| 50 lb | 196845 | \$3,115.00 |
| 75 lb | 197015 | \$3,115.00 |
| 100 lb | 196846 | \$3,115.00 |
| 150 lb | 196848 | \$3,115.00 |
| 250 lb | 196849 | \$3,115.00 |
| 500 lb | 30393 | \$3,190.00 |

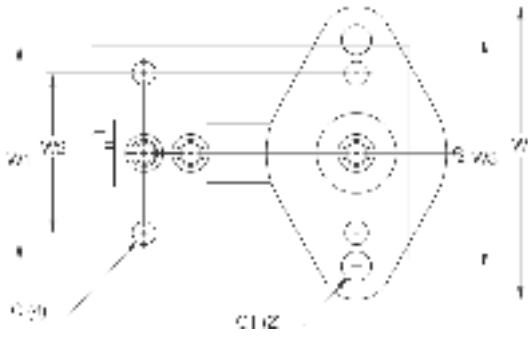
RL50219SS-TA

Stainless Steel, Mini Tank Weighing Module

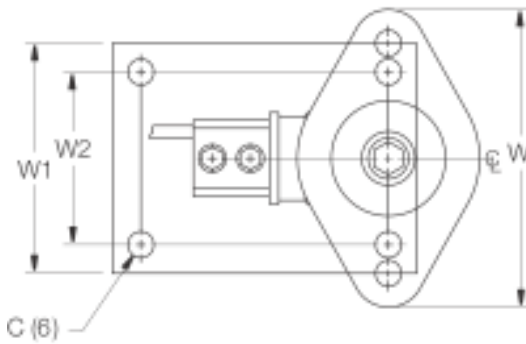
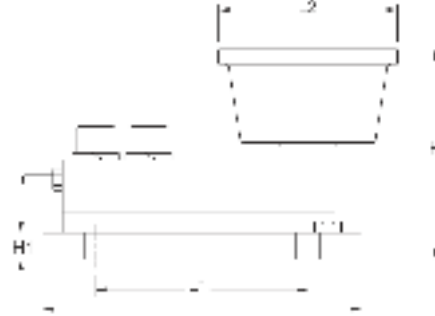
LOAD CELLS / WEIGH MODULES

Dimensions

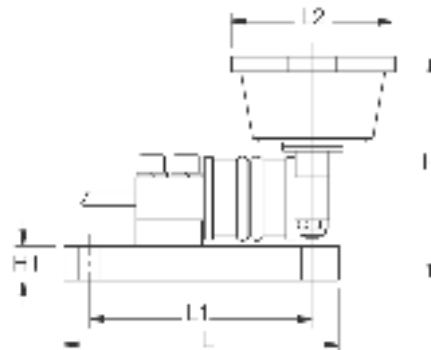
| Rated Capacity | C | C1 | H | H1 | L | L1 | L2 | W | W1 | W2 | W3 |
|----------------|------|------|------|------|------|------|------|------|------|------|------|
| 50 to 250 | 0.34 | - | 3.13 | 0.50 | 4.00 | 3.25 | 2.38 | 3.88 | 3.00 | 2.25 | - |
| 500 | 0.44 | 0.56 | 3.88 | 0.50 | 6.00 | 4.00 | 3.38 | 5.50 | 4.00 | 3.00 | 4.13 |



500lb



50 to 250lb



Paramounts® EP

Zinc Plated, Environmentally Protected, Tank Weighing Systems

LOAD CELLS /
WEIGH MODULES



Picture is a representation of actual product.

Load Cell Approvals



Available

Order Information

| Load Rating (Per Module) | Part # | Price |
|--|--------------|------------|
| NTEP Certified 3-Module Kits | | |
| 5 kN | 33683 | \$2,665.00 |
| 10 kN | 33682 | \$2,665.00 |
| 20 kN | 33681 | \$2,665.00 |
| 50 kN | 33680 | \$3,055.00 |
| NTEP Certified 4-Module Kits | | |
| 5 kN | 33678 | \$3,553.00 |
| 10 kN | 33677 | \$3,553.00 |
| 20 kN | 33676 | \$3,553.00 |
| 50 kN | 33675 | \$4,372.00 |
| Non-NTEP Certified 3-Module Kit | | |
| 100 kN | 33679 | \$4,832.00 |
| Non-NTEP Certified 4-Module Kit | | |
| 100 kN | 33674 | \$4,832.00 |

NOTE: 1 kN=224.8 lb

Complete Kit Includes

- One fixed-pin module, one side-stop module, and one or two free-sliding assemblies. Each module is complete with a NTEP Certified Flintec® SB5 stainless steel environmentally protected load cell.
- One JB4SS NEMA Type 4X stainless steel signal trim junction box
- 25 ft of hostile environment EL147HE SURVIVOR® load cell cable

Standard Features

- Capacities (per module): 5 to 20 kN
- NTEP Certified 1:5000 d, Class II load cells
- Unique design allows for thermal expansion/contraction
- Jacking screw allows empty vessel to be lifted clear of load cell for maintenance
- Unique blind load hole eliminates unwanted side and eccentric loads
- Vessel is free to slide laterally on PTFE coated surfaces
- mV/V/ohm load cell outputs allow for replacement without further calibration

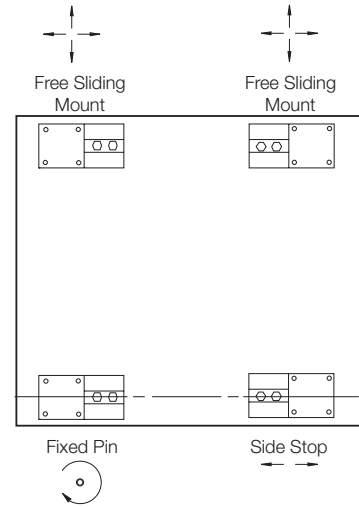
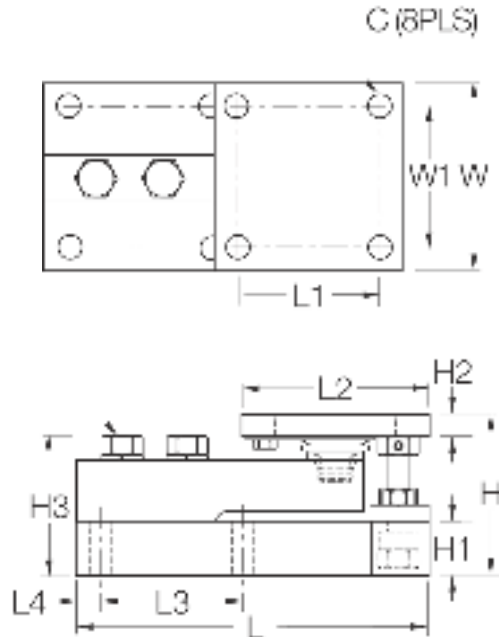
Applications

- Light- to medium-capacity tanks and hoppers
- Process measurement and control

Dimensions

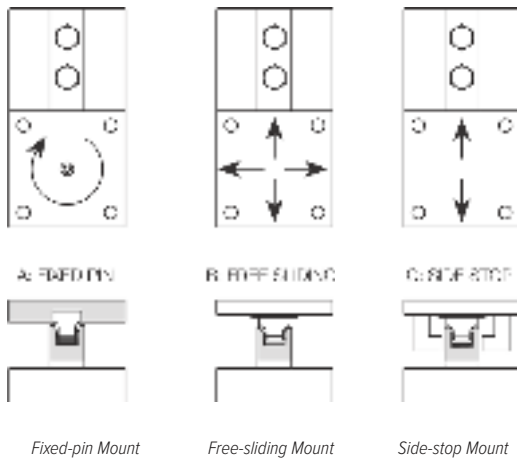
| Rated Capacity kN/in | C | H | H1 | *H2 | **H2 | H3 | L | L1 | L2 | L3 | L4 | W | W1 |
|-------------------------|------|------|------|------|------|------|-------|------|------|------|------|------|------|
| 5 to 20 | 0.44 | 3.58 | 1.25 | 0.50 | 0.75 | 3.06 | 7.51 | 3.00 | 4.00 | 3.00 | 0.50 | 4.00 | 3.00 |
| 50 | 0.56 | 4.66 | 1.50 | 0.62 | 1.00 | 4.09 | 9.19 | 3.87 | 5.00 | 3.87 | 0.56 | 5.00 | 3.87 |
| 100 | 0.69 | 6.41 | 2.00 | 0.75 | 1.25 | 5.73 | 11.46 | 4.75 | 6.00 | 4.75 | 0.69 | 6.00 | 4.75 |

* Side-stop and free-sliding units ** Fixed-pin units



VESSEL ARRANGEMENT

When arranged as illustrated, the vessel is fixed at one corner but is able to slide freely as indicated. This ensures there is minimal side loading on the cells and at the same time the vessel is self-checking. The unique, patented blind load hole technology used in these mounts introduces the load at the neutral axis of the load cell which helps minimize the effects of side loads.



Paramounts® HS

Zinc Plated, Hermetically Sealed, Tank Weighing Systems

LOAD CELLS /
WEIGH MODULES



Picture is a representation of actual product.

Load Cell Approvals



Order Information

| Load Rating (Per Module) | Part # | Price |
|---|--------|------------|
| NTEP Certified 3-Module Kit | | |
| 5 kN | 29871 | \$3,370.00 |
| 10 kN | 29872 | \$3,370.00 |
| 23 kN | 29873 | \$3,370.00 |
| 50 kN | 29874 | \$4,000.00 |
| NTEP Certified 4-Module Kit | | |
| 5 kN | 29875 | \$4,535.00 |
| 10 kN | 29876 | \$4,535.00 |
| 23 kN | 29877 | \$4,535.00 |
| 50 kN | 29878 | \$5,135.00 |
| Non-NTEP Certified 3-Module Kit | | |
| 5 kN | 17977 | \$3,265.00 |
| 10 kN | 17978 | \$3,265.00 |
| 23 kN | 17979 | \$3,265.00 |
| 50 kN | 17980 | \$3,962.00 |
| 100 kN | 17981 | \$5,090.00 |
| Non-NTEP Certified 4-Module Kit | | |
| 5 kN | 17984 | \$4,282.00 |
| 10 kN | 17985 | \$4,282.00 |
| 23 kN | 17986 | \$4,282.00 |
| 50 kN | 17987 | \$4,875.00 |
| 100 kN | 17988 | \$6,160.00 |
| Conduit Adapter Kit (must be factory installed to maintain warranty) | | |
| 1/2-14 NPT | 17703 | \$50.00 |

Complete Kit Includes

- One fixed-pin module, one side-stop module, and one or two free-sliding assemblies. Each module is complete with a Flintec® SB4 NTEP Certified, stainless steel, hermetically sealed load cell.
- One JB4SS NEMA Type 4X stainless steel signal trim junction box
- 25 ft of hostile environment EL147HE SURVIVOR® load cell cable

Standard Features

- Capacities (per module): 5 to 100 kN
- Unique design allows for thermal expansion/contraction
- Jacking screw allows empty vessel to be lifted clear of load cell for maintenance
- Unique blind load hole eliminates unwanted side and eccentric loads
- Vessel is free to slide laterally on PTFE coated surfaces
- Load cell outputs are matched to $\pm 0.07\%$ allowing replacement without further calibration

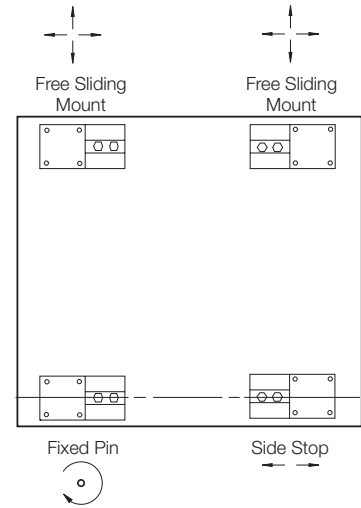
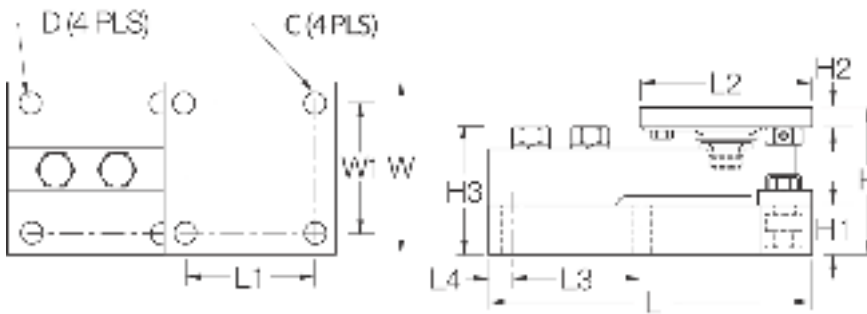
Applications

- Light- to medium-capacity tanks and hoppers
- Mixers and blenders
- Process measurement and control

Dimensions

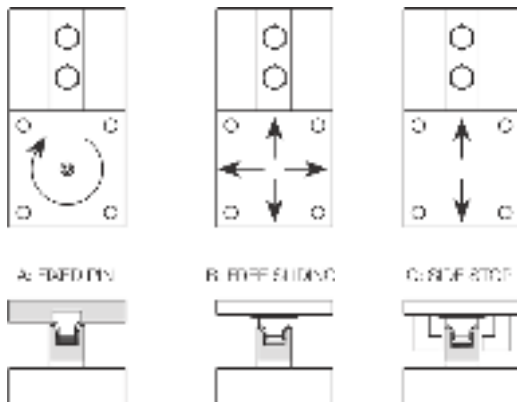
| Rated Capacity | C | D | H | H1 | *H2 | **H2 | H3 | L | L1 | L2 | L3 | L4 | W | W1 |
|----------------|------|------|------|------|------|------|------|-------|------|------|------|------|------|------|
| 5 kN to 23 kN | 0.44 | 0.44 | 3.58 | 1.25 | 0.50 | 0.75 | 3.06 | 7.51 | 3.00 | 4.00 | 3.00 | 0.50 | 4.00 | 3.00 |
| 50 kN | 0.56 | 0.56 | 4.66 | 1.50 | 0.62 | 1.00 | 4.09 | 9.19 | 3.87 | 5.00 | 3.87 | 0.56 | 5.00 | 3.87 |
| 100 kN | 0.69 | 0.69 | 6.41 | 2.00 | 0.75 | 1.25 | 5.73 | 11.46 | 4.75 | 6.00 | 4.75 | 0.69 | 6.00 | 4.75 |

* Side-stop and free-sliding units ** Fixed-pin units



VESSEL ARRANGEMENT

When arranged as illustrated, the vessel is fixed at one corner but is able to slide freely as indicated. This ensures there is minimal side loading on the cells and at the same time the vessel is self-checking. The unique, patented blind load hole technology used in these mounts introduces the load at the neutral axis of the load cell which helps minimize the effects of side loads.



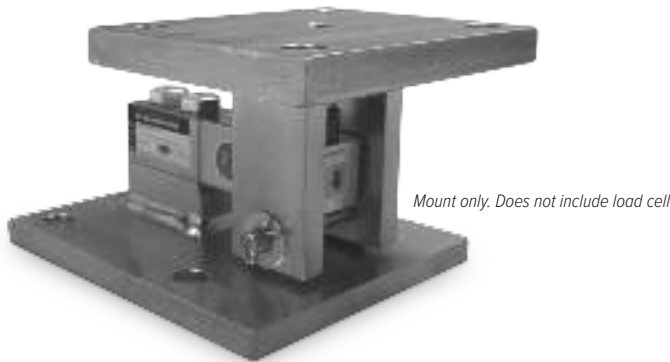
Fixed-pin Mount

Free-sliding Mount

Side-stop Mount

RLBTM

Mild Steel/Stainless Steel, Weigh Modules



Picture is a representation of actual product.

Standard Features

- Capacities (per module): 250 to 5,000 lb SE
- Zinc plated, mild steel construction or stainless steel construction
- Self-checking, multi-directional movement
- Design incorporates a ball and cup for self-centering
- Will accommodate a standard shear beam 250 to 5,000 lb SE load cell that has a threaded load hole such as the RL30000, RL39123, RL32018, RL32018S, RL32218S-HE

Applications

- Light- to medium-capacity tanks and hoppers
- Conveyors

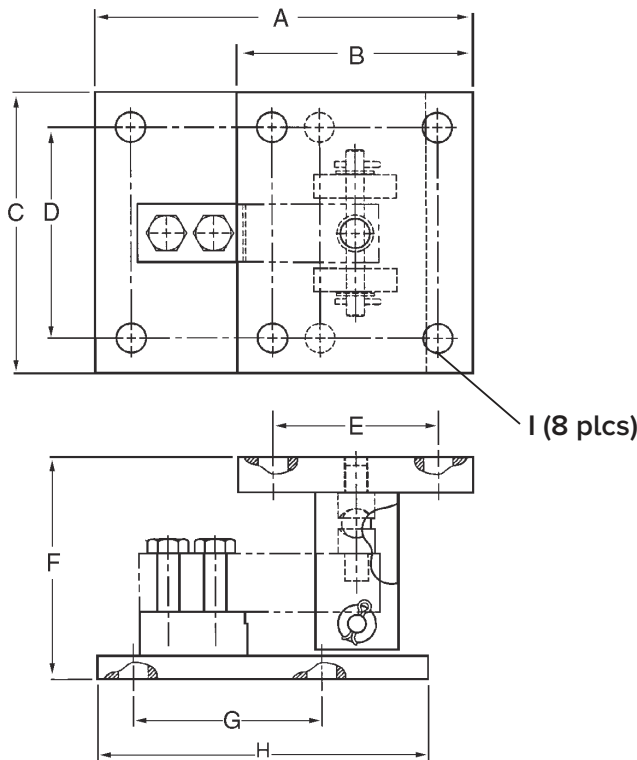
Order Information

| Load Rating (Per Module) | Part # | Price |
|--------------------------------------|--------------|----------|
| Single Module Mild Steel | | |
| 250 to 5,000 lb SE | 53059 | \$430.00 |
| Single Module Stainless Steel | | |
| 250 to 5,000 lb SE | 53066 | \$655.00 |

Dimensions

| Rated Capacity | A | B | C | D | E | F | G | H | I |
|-----------------|------|------|------|------|------|------|------|------|------|
| 250 to 5,000 SE | 8.00 | 5.00 | 6.00 | 4.50 | 3.50 | 4.75 | 4.00 | 7.00 | 0.63 |

SE refers to small envelope



RL1800 Series

Mild Steel/Stainless Steel, Weigh Modules

LOAD CELLS /
WEIGH MODULES



Picture is a representation of actual product.

Load Cell Approvals



Except 250lb

Mild Steel Order Information

| Load Rating (Per Module) | Part # | Price |
|---|--------------|------------|
| Single Module (Does NOT Include Load Cell) | | |
| 250 to 5,000 lb SE | 17817 | \$399.00 |
| 5,000 LE to 10,000 lb | 17819 | \$428.00 |
| 3-Module Kit | | |
| 250 lb* | 18075 | \$2,350.00 |
| 500 lb | 18076 | \$2,350.00 |
| 1,000 lb | 18077 | \$2,350.00 |
| 2,000 lb | 18078 | \$2,350.00 |
| 2,500 lb | 18079 | \$2,350.00 |
| 3,000 lb | 18080 | \$2,350.00 |
| 4,000 lb | 18081 | \$2,350.00 |
| 5,000 lb SE | 18082 | \$2,350.00 |
| 5,000 lb LE | 18083 | \$2,700.00 |
| 10,000 lb | 18084 | \$2,700.00 |
| 4-Module Kit | | |
| 250 lb* | 18085 | \$3,050.00 |
| 500 lb | 18086 | \$3,050.00 |
| 1,000 lb | 18087 | \$3,050.00 |
| 2,000 lb | 18088 | \$3,050.00 |
| 2,500 lb | 18089 | \$3,050.00 |
| 3,000 lb | 18090 | \$3,050.00 |
| 4,000 lb | 18091 | \$3,050.00 |
| 5,000 lb SE | 18092 | \$3,050.00 |
| 5,000 lb LE | 18093 | \$3,500.00 |
| 10,000 lb | 18094 | \$3,500.00 |

SE=Small envelope; LE=Large envelope

* Non-NTEP



Stainless Steel Order Information

| Load Rating (Per Module) | Part # | Price |
|---|--------------|------------|
| Single Module (Does NOT Include Load Cell) | | |
| 250 to 4,000 lb | 17818 | \$640.00 |
| 5,000 to 10,000 lb | 17820 | \$675.00 |
| 3-Module Kit | | |
| 1,000 lb | 18095 | \$3,190.00 |
| 2,000 lb | 18096 | \$3,190.00 |
| 2,500 lb | 18097 | \$3,190.00 |
| 4,000 lb | 18099 | \$3,190.00 |
| 5,000 lb LE | 18100 | \$3,445.00 |
| 10,000 lb | 18101 | \$3,445.00 |
| 4-Module Kit | | |
| 1,000 lb | 18102 | \$4,250.00 |
| 2,000 lb | 18103 | \$4,250.00 |
| 2,500 lb | 18104 | \$4,250.00 |
| 4,000 lb | 18106 | \$4,250.00 |
| 5,000 lb LE | 18107 | \$4,595.00 |
| 10,000 lb | 18108 | \$4,595.00 |
| Dummy Cell | | |
| Dummy load cell 1 k to 5 k SE | 22980 | \$53.00 |

Complete Kit Includes

- Three or four RL1800 mild steel or stainless steel compression mounts with NTEP Certified RL32018 single-ended beam load cells, RL32018S used in stainless steel
- One JB4SS NEMA Type 4X stainless steel signal trim junction box
- 25 ft of hostile environment EL147HE SURVIVOR® load cell cable

Standard Features

- Capacities (per module): 250 to 10,000 lb
- NTEP Certified cells in 500 to 10,000 lb capacities, except 3,000 lb
- Zinc plated mild steel/stainless steel construction
- Center-pivoted, tension loading design
- Self-checking, multi-directional movement
- Load is suspended on high-strength bolt instead of wire rope
- Design incorporates spherical washers for self centering

Applications

- Conveyors
- Medium-capacity tanks and hoppers
- Mixers and blenders
- Process measurement and control

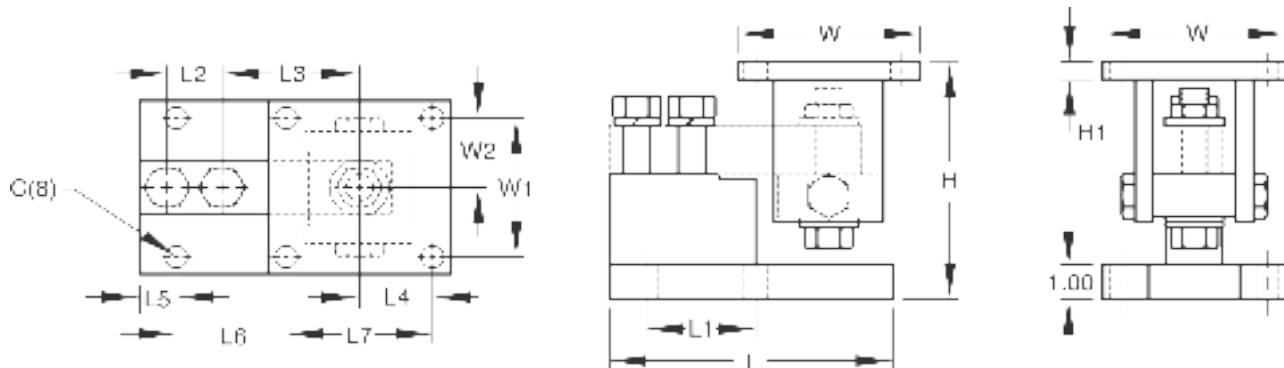
RL1800 Series

Mild Steel/Stainless Steel, Weigh Modules

LOAD CELLS /
WEIGH MODULES

Dimensions

| Rated Capacity | C | H Min/Max | H1 | L | L1 | L2 | L3 | L4 | L5 | L6 | L7 | W | W1 | W2 |
|-------------------------------------|------|-----------|------|------|------|------|------|------|------|------|------|------|------|------|
| Mild Steel Construction | | | | | | | | | | | | | | |
| lb/in | | | | | | | | | | | | | | |
| 250 to 5,000 SE | 0.62 | 5.25/5.56 | 0.50 | 6.00 | 2.00 | 1.00 | 3.00 | 2.00 | 0.68 | 1.94 | 4.00 | 5.00 | 4.00 | 2.00 |
| 5,000 LE to 10,000 | 0.62 | 6.12/6.62 | 0.50 | 7.75 | 3.00 | 1.50 | 3.75 | 2.00 | 1.03 | 2.97 | 4.00 | 5.00 | 4.00 | 2.00 |
| Stainless Steel Construction | | | | | | | | | | | | | | |
| lb/in | | | | | | | | | | | | | | |
| 1,000 to 4,000 | 0.62 | 5.25/5.56 | 0.50 | 6.00 | 2.00 | 1.00 | 3.00 | 2.00 | 0.68 | 1.94 | 4.00 | 5.00 | 4.00 | 2.00 |
| 5,000 to 10,000 | 0.62 | 6.12/6.62 | 0.50 | 7.75 | 3.00 | 1.50 | 3.75 | 2.00 | 1.03 | 2.97 | 4.00 | 5.00 | 4.00 | 2.00 |



RL1800 Series with MLC Coated Load Cell

Stainless Steel, Weigh Modules

LOAD CELLS /
WEIGH MODULES



Complete Kit Includes

- Three or four RL1800 stainless steel compression mounts with MLC coated RL32018 NTEP Certified single-ended beam load cells
- One JB4SS NEMA Type 4X stainless steel signal trim junction box
- 25 ft of hostile environment EL147HE SURVIVOR® load cell cable

Standard Features

- Capacities (per module): 1,000 to 10,000 lb
- NTEP Certified cells in 1,000 to 10,000 lb capacities
- Stainless steel mounts
- Center-pivoted, tension loading design
- Self-checking, multi-directional movement
- Load is suspended on high-strength bolt instead of wire rope
- Design incorporates spherical washers for self centering
- Coated load cells for corrosion protection

Applications

- Conveyors
- Medium-capacity tanks and hoppers

Picture is a representation of actual product.

Load Cell Approvals



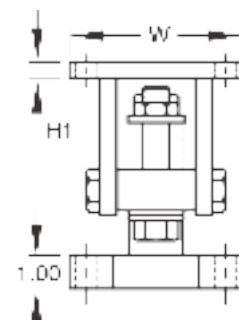
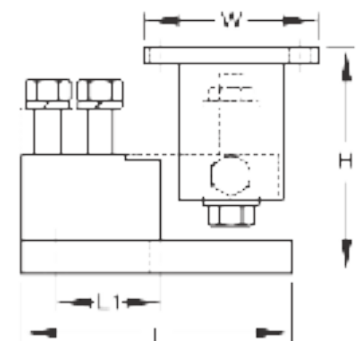
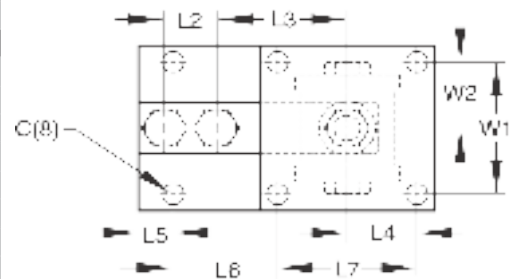
Stainless Steel Order Information

| Load Rating (Per Module) | Part # | Price |
|---|--------|------------|
| Single Module (Does NOT Include Load Cell) | | |
| 1,000 to 4,000 lb | 17818 | \$640.00 |
| 5,000 to 10,000 lb | 17820 | \$675.00 |
| 3-Module Kit | | |
| 1,000 lb | 219894 | \$3,150.00 |
| 1,500 lb | 219896 | \$3,150.00 |
| 2,000 lb | 219898 | \$3,150.00 |
| 2,500 lb | 219900 | \$3,150.00 |
| 3,000 lb | 219902 | \$3,150.00 |
| 4,000 lb | 219904 | \$3,150.00 |
| 5,000 SE lb | 219906 | \$3,150.00 |
| 5,000 LE lb | 219908 | \$3,540.00 |
| 10,000 lb | 219910 | \$3,540.00 |
| 4-Module Kit | | |
| 1,000 lb | 219895 | \$4,140.00 |
| 1,500 lb | 219897 | \$4,140.00 |
| 2,000 lb | 219899 | \$4,140.00 |
| 2,500 lb | 219901 | \$4,140.00 |
| 3,000 lb | 219903 | \$4,140.00 |
| 4,000 lb | 219905 | \$4,140.00 |
| 5,000 SE lb | 219907 | \$4,140.00 |
| 5,000 LE lb | 219909 | \$4,650.00 |
| 10,000 lb | 219911 | \$4,650.00 |

SE=Small envelope; LE=Large envelope

Dimensions

| Rated Capacity C | H Min/Max | H1 | L | L1 | L2 | L3 | L4 | L5 | L6 | L7 | W | W1 | W2 | |
|--------------------|-----------|-----------|------|------|------|------|------|------|------|------|------|------|------|------|
| lb/in | | | | | | | | | | | | | | |
| 1,000 to 5,000 SE | 0.62 | 5.25/5.56 | 0.50 | 6.00 | 2.00 | 1.00 | 3.00 | 2.00 | 0.68 | 1.94 | 4.00 | 5.00 | 4.00 | 2.00 |
| 5,000 LE to 10,000 | 0.62 | 6.12/6.62 | 0.50 | 7.75 | 3.00 | 1.50 | 3.75 | 2.00 | 1.03 | 2.97 | 4.00 | 5.00 | 4.00 | 2.00 |



RL1900 Series

Stainless Steel, Weigh Modules

LOAD CELLS /
WEIGH MODULES



Picture is a representation of actual product.

Load Cell Approvals

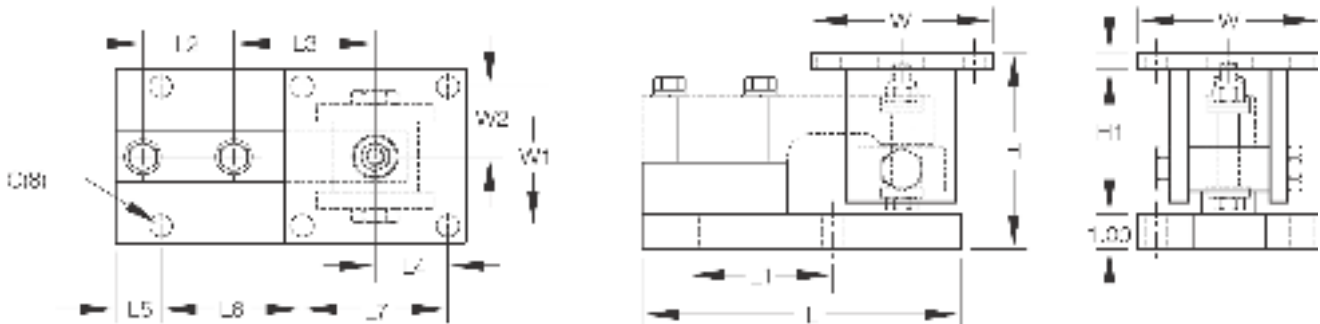


Order Information

| Load Rating (Per Module) | Part # | Price |
|---|--------------|------------|
| Single Module (Does NOT Include Load Cell) | | |
| 1,000 to 5,000 lb | 17841 | \$700.00 |
| 10,000 lb | 17843 | \$760.00 |
| 3-Module Kit | | |
| 1,000 lb | 18109 | \$4,285.00 |
| 2,000 lb | 18110 | \$4,285.00 |
| 5,000 lb | 18111 | \$4,285.00 |
| 10,000 lb | 18112 | \$4,770.00 |
| 4-Module Kit | | |
| 1,000 lb | 18113 | \$5,710.00 |
| 2,000 lb | 18114 | \$5,710.00 |
| 5,000 lb | 18115 | \$5,710.00 |
| 10,000 lb | 18116 | \$5,710.00 |

Dimensions

| Rated Capacity C | H Min/Max | H1 | L | L1 | L2 | L3 | L4 | L5 | L6 | L7 | W | W1 | W2 |
|------------------|------------------|------|------|------|------|------|------|------|------|------|------|------|------|
| lb/in | | | | | | | | | | | | | |
| 1,000 to 5,000 | 0.62 / 5.38/5.62 | 0.50 | 8.75 | 4.00 | 2.50 | 3.88 | 2.00 | 1.12 | 4.00 | 4.00 | 5.00 | 4.00 | 2.00 |
| 10,000 | 0.81 / 6.88/7.50 | 1.00 | 9.75 | 5.00 | 2.63 | 4.88 | 2.25 | 1.00 | 5.00 | 4.50 | 6.00 | 4.50 | 2.25 |



Complete Kit Includes

- Three or four RL1900 stainless steel compression mounts with RLSSB NTEP Certified welded stainless steel single-ended beam load cells
- One JB4SS NEMA Type 4X stainless steel signal trim junction box
- 25 ft of hostile environment EL147HE SURVIVOR® load cell cable

Standard Features

- Capacities (per module): 1,000 to 10,000 lb
- NTEP Certified load cells, 1:5000 d, Class III single cell
- Stainless steel construction
- Center-pivoted, tension loading design
- Welded-seal stainless steel load cells, IP67
- Self-checking, multi-directional movement
- Easy load cell replacement
- Load is suspended on high-strength bolt instead of wire rope
- Design incorporates spherical washers
- Compatible with VPG® Revere SSB load cells

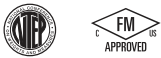
Applications

- Medium-capacity tanks, bins and hoppers
- Washdown or corrosive applications



Picture is a representation of actual product.

Load Cell Approvals



Order Information

| Load Rating (Per Module) | Part # | Price |
|---|--------|------------|
| Single Module (Includes Load Cell) | | |
| 500 lb | 159288 | \$1,085.00 |
| 1,250 lb | 159289 | \$1,085.00 |
| 2,500 lb | 159290 | \$1,085.00 |
| 5,000 lb | 159291 | \$1,310.00 |
| 10,000 lb | 159292 | \$1,310.00 |
| 3-Module Kit | | |
| 500 lb | 162942 | \$3,375.00 |
| 1,250 lb | 162944 | \$3,375.00 |
| 2,500 lb | 162945 | \$3,375.00 |
| 5,000 lb | 162946 | \$4,180.00 |
| 10,000 lb | 162947 | \$4,180.00 |
| 4-Module Kit | | |
| 500 lb | 162948 | \$4,465.00 |
| 1250 lb | 162949 | \$4,465.00 |
| 2500 lb | 162950 | \$4,465.00 |
| 5000 lb | 162951 | \$5,375.00 |
| 10,000 lb | 162953 | \$5,375.00 |

Complete Kit Includes

- Three or four Rice Lake RLTM stainless steel mounting assemblies with RL32018S-T NTEP Certified, welded-seal stainless steel load cells
- One JB4SS NEMA Type 4X stainless steel signal trim junction box
- 25 ft of hostile environment EL147HE SURVIVOR® load cell cable

Standard Features

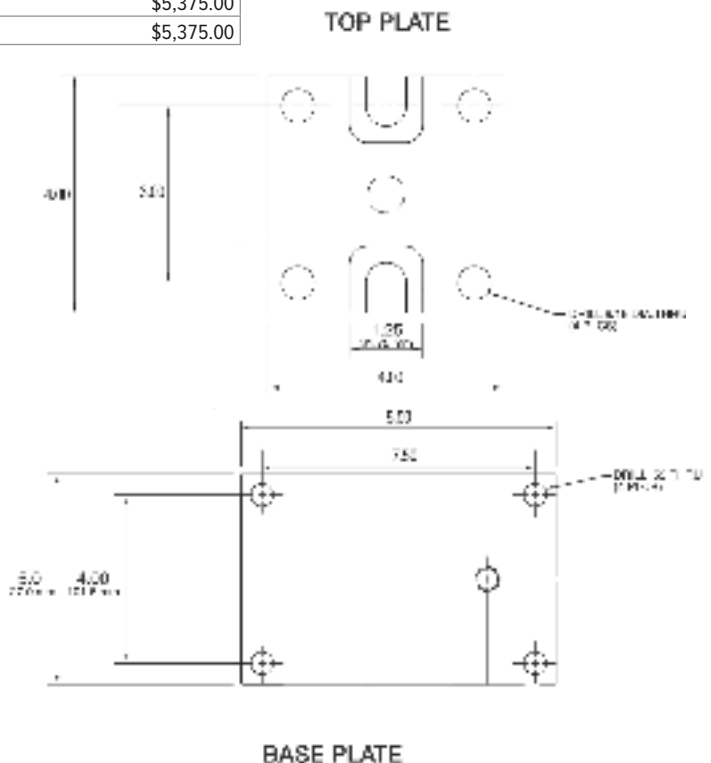
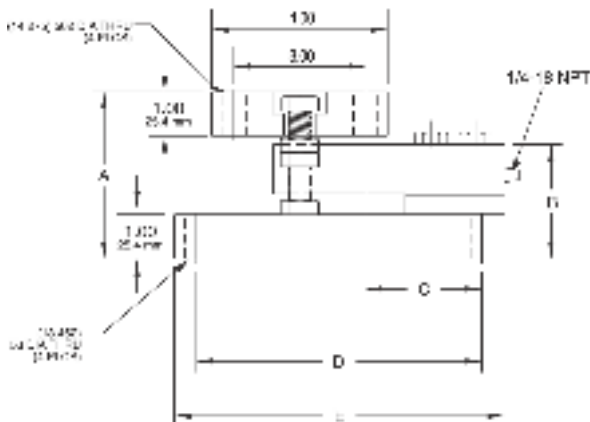
- Capacities (per module) 500 to 10,000 lb
- NTEP Certified load cells, 1:5,000 d, Class III multiple cell
- Stainless steel construction
- Overload and uplift protection
- Rocker pin loading
- Integral lateral stops

Applications

- Lower capacity tank and vessel weighing
- Process control and batching

Dimensions

| Rated Capacity | A | B | C | D | E |
|--------------------|------|------|------|------|------|
| 500 to 2,500 lb/in | 3.77 | 2.59 | 2.62 | 6.50 | 7.50 |
| 5,000 | 3.99 | 2.83 | 2.62 | 6.50 | 7.50 |
| 10,000 | 4.27 | 3.08 | 3.88 | 7.50 | 8.50 |



RL9000TWM Series

Stainless Steel, Weighing Assembly

LOAD CELLS /
WEIGH MODULES



Picture is a representation of actual product.

Load Cell Approvals



Complete Kit Includes

- Three or four stainless steel mounting assemblies with RL9000TWM compression disk load cells
- One JB4SS NEMA Type 4X stainless steel signal trim junction box
- 25 ft of hostile environment EL147HE SURVIVOR® load cell cable

Standard Features

- Capacities (per module): 1,000 to 450,000 lb
- Stainless steel construction
- Very low profile design
- Self-centering
- Self-checking assembly
- Offers 100% sideload, 100% uplift and 150% static safe load and 300% ultimate static overload protection
- Weighs accurately with up to 3° non-parallel load

Applications

- Tank, hopper or vessel weighing

Optional Features

- Stainless steel top plates (150,000 to 450,000 lb have mild steel painted base plate)

Specifications

Full Scale Output:

3.0 (± 0.1%) mV/V

Bridge Resistance:

350 ohm

Material/Finish:

Stainless steel

Temperature:

Operating:
0 °F to 150 °F (-17 °C to 65 °C)

Seal Type:

Welded-seal, IP67

Safe Overload:

150% full scale

Rated Excitation:

5 to 10 VDC

Nonlinearity:

1 to 100 K: 0.05% FS

150 to 450 K: 0.1% FS

Insulation Resistance:

5,000 megohm

Non-repeatability:

1 to 100 K: 0.02% full scale

150 to 450 K: 0.03% full scale

Cable Length:

25 ft

Deflection at Capacity:

1 to 15 K: 0.002 in

20 to 50 K: 0.004 in

60 to 100 K: 0.007 in

150 to 200 K: 0.007 in

250 to 450 K: 0.009 in

Cable Color Code:

Green +Excitation

Black -Excitation

White +Signal

Red -Signal

Warranty:

Two-year limited

RL9000TWM Series

Stainless Steel, Weighing Assembly

LOAD CELLS / WEIGH MODULES

Order Information

| Load Rating (Per Module) | Part # | Price |
|--------------------------|--------|-------------|
| Single Module | | |
| 1,000 lb | 84353 | \$710.00 |
| 2,500 lb | 84354 | \$710.00 |
| 5,000 lb | 84355 | \$710.00 |
| 10,000 lb | 84356 | \$710.00 |
| 15,000 lb | 84357 | \$710.00 |
| 20,000 lb | 84358 | \$1,350.00 |
| 25,000 lb | 84359 | \$1,350.00 |
| 35,000 lb | 84360 | \$1,350.00 |
| 50,000 lb | 84361 | \$1,350.00 |
| 60,000 lb | 84362 | \$2,255.00 |
| 75,000 lb | 84363 | \$2,255.00 |
| 100,000 lb | 84364 | \$2,255.00 |
| 150,000 lb | 84365 | \$4,600.00 |
| 200,000 lb | 84366 | \$4,600.00 |
| 250,000 lb | 84368 | \$6,750.00 |
| 300,000 lb | 84369 | \$6,750.00 |
| 400,000 lb | 84370 | \$6,750.00 |
| 450,000 lb | 84371 | \$6,750.00 |
| 3-Module Kit | | |
| 1,000 lb | 98974 | \$2,355.00 |
| 2,500 lb | 98980 | \$2,355.00 |
| 5,000 lb | 98981 | \$2,355.00 |
| 10,000 lb | 98982 | \$2,355.00 |
| 15,000 lb | 98983 | \$2,355.00 |
| 20,000 lb | 98984 | \$4,275.00 |
| 25,000 lb | 98985 | \$4,275.00 |
| 35,000 lb | 98986 | \$4,275.00 |
| 50,000 lb | 98987 | \$4,275.00 |
| 60,000 lb | 98988 | \$6,930.00 |
| 75,000 lb | 98989 | \$6,930.00 |
| 100,000 lb | 98990 | \$6,930.00 |
| 150,000 lb | 98991 | \$13,935.00 |
| 200,000 lb | 98992 | \$13,935.00 |
| 250,000 lb | 98993 | \$20,415.00 |
| 300,000 lb | 98994 | \$20,415.00 |
| 400,000 lb | 98995 | \$20,415.00 |
| 450,000 lb | 98996 | \$20,415.00 |
| 4-Module Kit | | |
| 1,000 lb | 98997 | \$2,970.00 |
| 2,500 lb | 98998 | \$2,970.00 |
| 5,000 lb | 98999 | \$2,970.00 |
| 10,000 lb | 99000 | \$2,970.00 |
| 15,000 lb | 99001 | \$2,970.00 |
| 20,000 lb | 99002 | \$5,530.00 |
| 25,000 lb | 99003 | \$5,530.00 |
| 35,000 lb | 99004 | \$5,530.00 |
| 50,000 lb | 99005 | \$5,530.00 |
| 60,000 lb | 99006 | \$9,110.00 |
| 75,000 lb | 99007 | \$9,110.00 |
| 100,000 lb | 99008 | \$9,110.00 |
| 150,000 lb | 99009 | \$18,435.00 |
| 200,000 lb | 99010 | \$18,435.00 |
| 250,000 lb | 99011 | \$27,050.00 |
| 300,000 lb | 99012 | \$27,050.00 |
| 400,000 lb | 99013 | \$27,050.00 |
| 450,000 lb | 99014 | \$27,050.00 |

| Load Rating (Per Module) | Part # | Price |
|--|--------|------------|
| Top Plates (Stainless Steel) with bolts | | |
| 1,000 to 15,000 lb | 91207 | \$125.00 |
| 20,000 to 50,000 lb | 91210 | \$285.00 |
| 60,000 to 100,000 lb | 91211 | \$465.00 |
| 150,000 to 200,000 lb | 91213 | \$740.00 |
| 250,000 to 450,000 lb | 91215 | \$1,710.00 |
| Top Plates (Mild Steel) with bolts | | |
| 1,000 to 15,000 lb | 124758 | \$60.00 |
| 20,000 to 50,000 lb | 125141 | \$115.00 |
| 60,000 to 100,000 lb | 124759 | \$165.00 |
| 150,000 to 200,000 lb | 124760 | \$262.00 |
| 250,000 to 450,000 lb | 124761 | \$388.00 |
| Dummy Weigh Modules (non-functioning) | | |
| 1,000 to 10,000 lb | 158749 | \$100.00 |
| 15,000 lb | 158750 | \$130.00 |
| 20,000 to 50,000 lb | 158752 | \$145.00 |
| 60,000 to 100,000 lb | 158753 | \$160.00 |
| 150,000 to 200,000 lb | 158754 | \$410.00 |
| 250,000 to 450,000 lb | 158755 | \$435.00 |

150,000 to 450,000 lb have mild steel painted base plates

Order Information

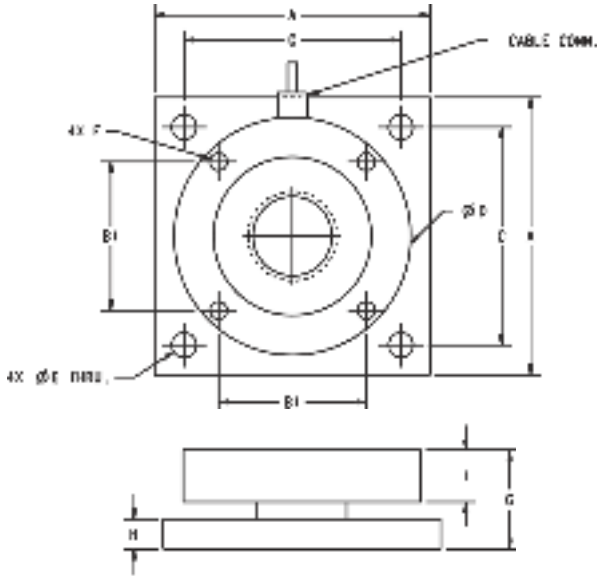
| Capacity | Thickness | Material | Part # | Price |
|-----------------------|-----------|----------|--------|---------|
| Shims | | | | |
| 1,000 to 15,000 lb | 0.0625 | SST | 167001 | \$6.00 |
| 1,000 to 15,000 lb | 0.125 | SST | 167002 | \$8.00 |
| 1,000 to 15,000 lb | 0.250 | SST | 167003 | \$11.00 |
| 1,000 to 15,000 lb | 0.0625 | MS | 167004 | \$2.50 |
| 1,000 to 15,000 lb | 0.125 | MS | 167005 | \$2.75 |
| 1,000 to 15,000 lb | 0.250 | MS | 167006 | \$3.25 |
| 20,000 to 50,000 lb | 0.0625 | SST | 167008 | \$15.00 |
| 20,000 to 50,000 lb | 0.125 | SST | 167009 | \$22.00 |
| 20,000 to 50,000 lb | 0.250 | SST | 167010 | \$34.00 |
| 20,000 to 50,000 lb | 0.0625 | MS | 167011 | \$9.00 |
| 20,000 to 50,000 lb | 0.125 | MS | 167012 | \$9.00 |
| 20,000 to 50,000 lb | 0.250 | MS | 167013 | \$10.00 |
| 60,000 to 100,000 lb | 0.0625 | SST | 167014 | \$24.00 |
| 60,000 to 100,000 lb | 0.125 | SST | 167015 | \$34.00 |
| 60,000 to 100,000 lb | 0.250 | SST | 167016 | \$53.00 |
| 150,000 to 200,000 lb | 0.0625 | SST | 167020 | \$32.00 |
| 150,000 to 200,000 lb | 0.125 | SST | 167021 | \$40.00 |
| 150,000 to 200,000 lb | 0.250 | SST | 167022 | \$65.00 |
| 250,000 to 450,000 lb | 0.0625 | SST | 167026 | \$40.00 |
| 250,000 to 450,000 lb | 0.125 | SST | 167027 | \$58.00 |
| 250,000 to 450,000 lb | 0.250 | SST | 167028 | \$75.00 |

Shims match dimensions of base plate and optional top plate

RL9000TWM Series

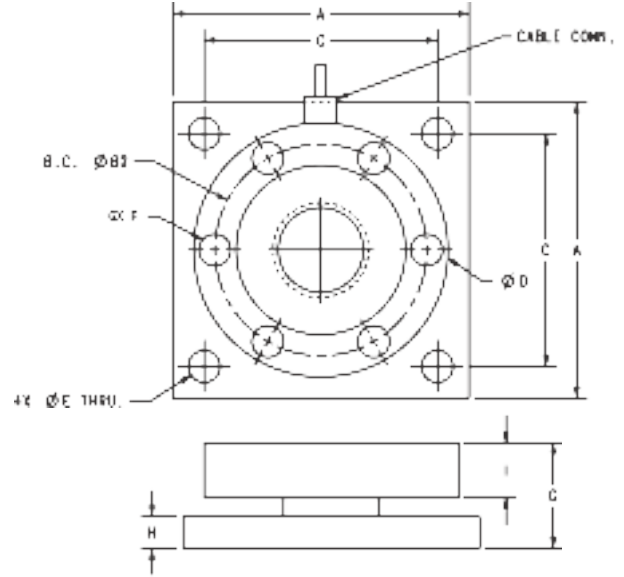
Stainless Steel, Weighing Assembly

LOAD CELLS /
WEIGH MODULES



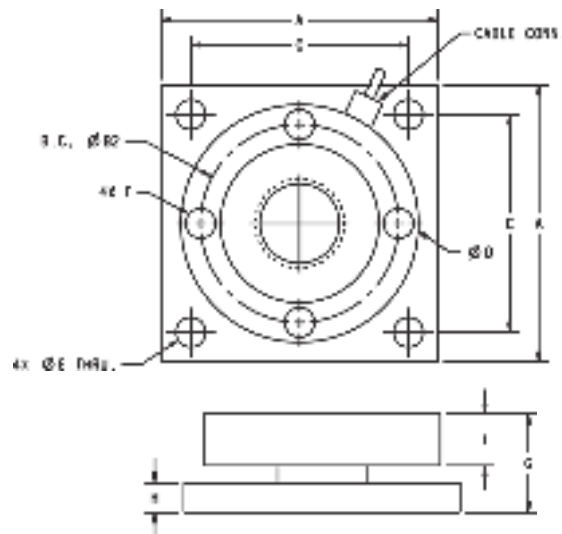
Dimensions

| Rated Capacity | A | B1 | C | D | E | F | G | H | I | Conduit Adapter |
|-------------------|------|------|------|------|------|------------|------|-------|------|-----------------|
| 1,000 to 10,000 | 4.00 | 2.00 | 3.25 | 3.50 | 0.40 | 3/8-16 UNC | 1.35 | 0.375 | 0.75 | - |
| 15,000 | 4.00 | 2.00 | 3.25 | 3.50 | 0.40 | 3/8-16 UNC | 1.60 | 0.625 | 0.75 | - |
| 20,000 to 50,000 | 7.00 | 3.75 | 5.50 | 6.00 | 0.63 | 1/2-13 UNC | 2.48 | 0.75 | 1.30 | 1/2-14 NPT |
| 60,000 to 100,000 | 8.00 | 4.25 | 6.50 | 7.00 | 0.81 | 3/4-16 UNC | 2.50 | 1.00 | 1.30 | 1/2-14 NPT |



Dimensions

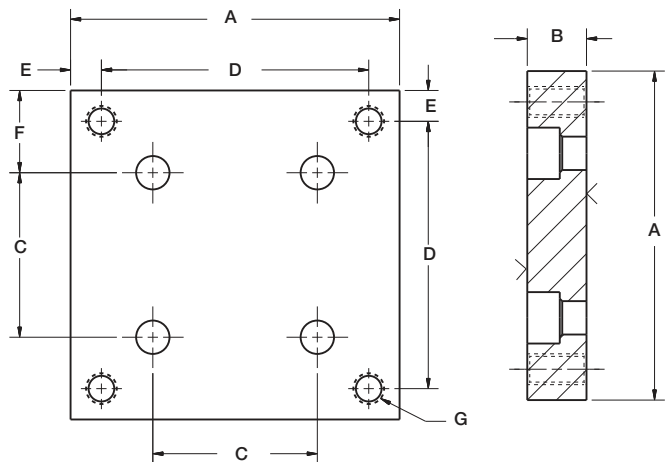
| Rated Capacity | A | B2 | C | D | E | F | G | H | I | Conduit Adapter |
|--------------------|-------|------|------|------|------|------------|------|------|------|-----------------|
| 250,000 to 450,000 | 11.00 | 7.75 | 9.00 | 9.00 | 1.30 | 7/8-14 UNF | 6.42 | 3.00 | 2.25 | 1/2-14 NPT |



Dimensions

| Rated Capacity | A | B2 | C | D | E | F | G | H | I | Conduit Adapter |
|--------------------|------|-------|------|------|------|----------|------|------|------|-----------------|
| 150,000 to 200,000 | 10.0 | 7.825 | 8.00 | 9.00 | 1.10 | 1-14 UNF | 4.75 | 2.00 | 1.70 | 1/2-14 NPT |

Optional Top Plates



Dimensions

| Rated Capacity | A | B | C | D | E | F | G |
|--------------------|-------|------|-----------|------|------|------|--------------|
| 1,000 to 15,000 | 4.00 | 0.72 | 2.00 | 3.25 | 0.38 | 1.00 | 3/8-16 UNC |
| 20,000 to 50,000 | 7.00 | 0.97 | 3.75 | 5.50 | 0.75 | 1.62 | 5/8-11 UNC |
| 60,000 to 100,000 | 8.00 | 1.46 | 4.25 | 6.50 | 0.75 | 1.88 | 3/4-16 UNF |
| 150,000 to 200,000 | 10.00 | 1.94 | 5.53 | 8.00 | 1.00 | 2.25 | 1-14 UNS |
| 250,000 to 450,000 | 11.00 | 2.94 | 7.75 B.C. | 9.00 | 1.00 | 1.00 | 1-1/4-12 UNF |

RL9000TWM-HT

Stainless Steel, High Temperature, Weigh Module

LOAD CELLS /
WEIGH MODULES



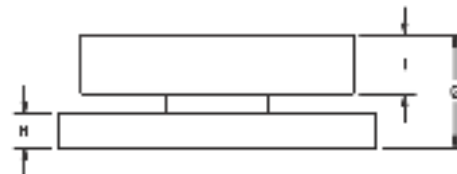
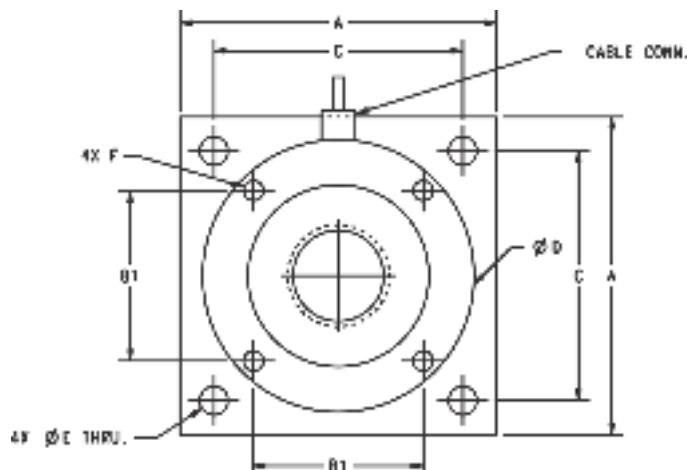
Picture is a representation of actual product.

Order Information

| Load Rating (per module) | Part # | Price |
|--|--------|------------|
| Single Module | | |
| 1,000 lb | 117050 | \$1,285.00 |
| 2,500 lb | 117051 | \$1,285.00 |
| 5,000 lb | 117052 | \$1,285.00 |
| 10,000 lb | 117140 | \$1,285.00 |
| 15,000 lb | 117053 | \$1,285.00 |
| 20,000 lb | 117054 | \$2,045.00 |
| 25,000 lb | 117055 | \$2,045.00 |
| 35,000 lb | 117056 | \$2,045.00 |
| 50,000 lb | 117057 | \$2,045.00 |
| Top Plates (Stainless Steel) with bolts | | |
| 1,000 to 15,000 lb | 91207 | \$125.00 |
| 20,000 to 50,000 lb | 91210 | \$285.00 |
| Top Plates (Mild Steel) with bolts | | |
| 1,000 to 15,000 lb | 124758 | \$60.00 |
| 20,000 to 50,000 lb | 125141 | \$115.00 |

Dimensions

| Rated Capacity | A | B1 | C | D | E | F | G | H | I | Conduit Adapter |
|------------------|------|------|------|------|------|------------|------|-------|------|-----------------|
| lb/in | | | | | | | | | | |
| 1,000 to 10,000 | 4.00 | 2.00 | 3.25 | 3.50 | 0.40 | 3/8-16 UNC | 1.35 | 0.375 | 0.75 | - |
| 15,000 | 4.00 | 2.00 | 3.25 | 3.50 | 0.40 | 3/8-16 UNC | 1.60 | 0.625 | 0.75 | - |
| 20,000 to 50,000 | 7.00 | 3.75 | 5.50 | 6.00 | 0.63 | 1/2-13 UNC | 2.48 | 0.750 | 1.30 | 1/2-14NPT |



Standard Features

- Capacities: 1,000 to 50,000 lb
- Stainless steel construction
- Very low profile design
- Self-centering
- Self-checking assembly
- Offers 100% side load, 100% uplift, 150% safe load and 300% ultimate overload protection
- Weighs accurately with up to 3° non-parallel load

Applications

- Tank, hopper, or vessel weighing
- High temperature applications

Optional Features

- Stainless steel top plates
- Higher capacities available upon request

Specifications

Full Scale Output:

3.0 (± 0.1%) mV/V

Bridge Resistance:

700 ohm

Material/Finish:

Stainless steel

Temperature:

Operating:
0 °F to 400 °F (-17 °C to 204 °C)

Seal Type:

Welded seal, IP67

Safe Overload:

150% full scale

Nonlinearity:

0.01% full scale

Insulation Resistance:

5,000 megohm

Non-repeatability:

0.02% full scale

Deflection at Capacity:

1 to 15 K: 0.002 in
20 to 50 K: 0.004 in

Cable Length:

25 ft PTFE jacket

Cable Color Code:

Green +Excitation
Black -Excitation
White +Signal
Red -Signal

Warranty:

Two-year limited

RL2200 Series

Mild Steel, Weighing Assembly

LOAD CELLS /
WEIGH MODULES



Picture is a representation of actual product.

Order Information

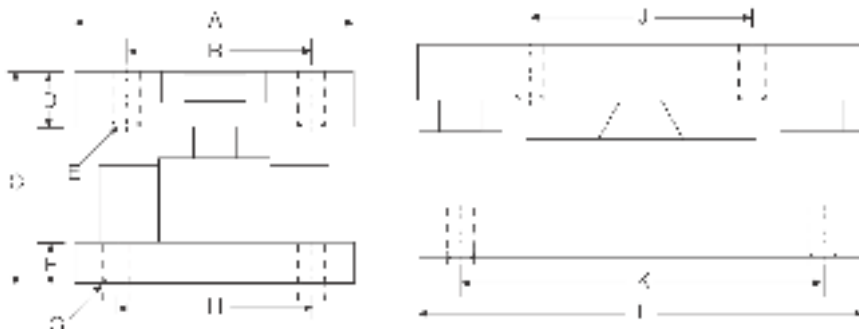
| Load Rating (Per Module) | Part # | Price |
|--------------------------|--------|------------|
| Single Module | | |
| 2,500 lb | 76656 | \$1,965.00 |
| 5,000 lb | 45849 | \$1,965.00 |
| 10,000 lb | 45848 | \$1,965.00 |
| 25,000 lb | 45847 | \$2,650.00 |
| 50,000 lb | 45846 | \$2,650.00 |
| 3-Module Kit | | |
| 2,500 lb | 76897 | \$5,875.00 |
| 5,000 lb | 42811 | \$5,875.00 |
| 10,000 lb | 42812 | \$5,875.00 |
| 25,000 lb | 42813 | \$7,580.00 |
| 50,000 lb | 42814 | \$7,580.00 |
| 4-Module Kit | | |
| 2,500 lb | 76898 | \$7,770.00 |
| 5,000 lb | 42815 | \$7,770.00 |
| 10,000 lb | 42816 | \$7,770.00 |
| 25,000 lb | 42817 | \$8,995.00 |
| 50,000 lb | 42818 | \$8,995.00 |

Replacement Load Cell Order Information

| Load Rating (Per Module) | Part # | Price |
|--------------------------|--------|------------|
| 2,500 lb | 76654 | \$1,325.00 |
| 5,000 lb | 45708 | \$1,325.00 |
| 10,000 lb | 45709 | \$1,325.00 |
| 25,000 lb | 45710 | \$1,669.00 |
| 50,000 lb | 45711 | \$1,669.00 |

Dimensions

| Rated Capacity | A | B | C | D | E | F | G | H | J | K | L |
|------------------|------|------|------|------|------|------|------|------|------|------|-------|
| lb/in | | | | | | | | | | | |
| 2,500 to 10,000 | 5.00 | 3.50 | 4.00 | 1.00 | 0.52 | 1.00 | 0.52 | 3.50 | 4.00 | 6.50 | 8.00 |
| 25,000 to 50,000 | 6.00 | 4.50 | 5.00 | 1.25 | 0.78 | 1.00 | 0.78 | 4.50 | 5.00 | 7.75 | 10.00 |



Complete Kit Includes

- Three or four RL2200 high-alloy, zinc-plated steel mounting assemblies with RL2200 compression disk load cells.
- One JB4SS NEMA Type 4X stainless steel signal trim junction box
- 25 ft of hostile environment EL147HE SURVIVOR® load cell cable

Standard Features

- Capacities (per module): 2,500 to 50,000 lb
- Low-profile design
- Self-centering in all directions, able to withstand excessive side loads
- Self-checking assembly

Applications

- Tank, hopper or vessel weighing
- Belt or roller conveyors
- Scale platforms and screw feeders

Specifications

Full Scale Output:

4.0 mV/V
2.0 mV/V (2,500 lb)

Bridge Resistance:

350 ohm nominal

Material/Finish:

High-alloy steel, painted

Temperature:

Compensated:
15 °F to 115 °F (-9 °C to 46 °C)

Seal Type:

Environmentally sealed

Safe Overload:

150% full scale

Rated Excitation:

5 to 10 VDC (20 V maximum)

Nonlinearity:

0.05% full scale

Hysteresis:

0.03% full scale

Insulation Resistance:

5,000 megohm

Cable Length:

30 ft

Cable Color Code:

Red +Excitation
Black -Excitation
White +Signal
Green -Signal

Warranty:

Two-year limited

RL2200SS Series

Stainless Steel, Weighing Assembly

LOAD CELLS /
WEIGH MODULES



Picture is a representation of actual product.

Complete Kit Includes

- Three or four RL2200 stainless steel mounting assemblies with RL2200SS stainless steel, hermetically sealed, compression disk load cells
- One JB4SS NEMA Type 4X stainless steel signal trim junction box
- 25 ft of hostile environment EL147HE SURVIVOR® load cell cable

Applications

- Tank, hopper or vessel weighing
- Belt or roller conveyors
- Scale platforms and screw feeders

Specifications

Full Scale Output:

4.0 mV/V
2.0 mV/V (2,500 lb)

Bridge Resistance:

350 ohm nominal

Material/Finish:

Stainless steel

Temperature:

Compensated:
15 °F to 115 °F (9 °C to 46 °C)

Seal Type:

Hermetically sealed, IP66/68

Safe Overload:

150% full scale

Rated Excitation:

5 to 10 VDC (20 V maximum)

Nonlinearity:

0.05% full scale

Hysteresis:

0.03% full scale

Insulation Resistance:

5,000 megohm

Cable Length:

30 ft

Cable Color Code:

Red +Excitation
Black -Excitation
White +Signal
Green -Signal

Warranty:

Two-year limited

Order Information

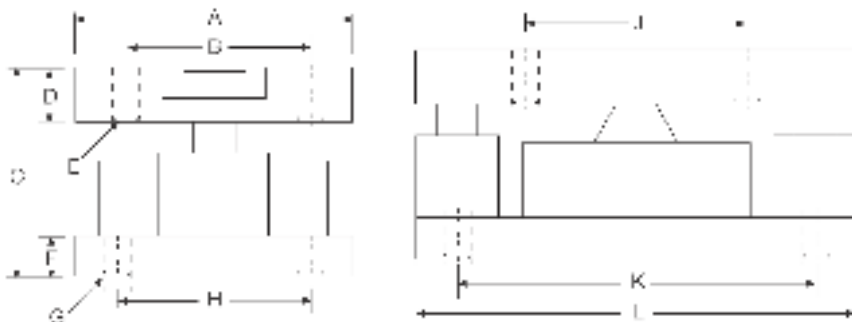
| Load Rating (Per Module) | Part # | Price |
|--------------------------|--------|-------------|
| Single Module | | |
| 2,500 lb | 76657 | \$2,765.00 |
| 5,000 lb | 45845 | \$2,765.00 |
| 10,000 lb | 45844 | \$2,765.00 |
| 25,000 lb | 45843 | \$4,680.00 |
| 50,000 lb | 45842 | \$4,680.00 |
| 3-Module Kit | | |
| 2,500 lb | 76899 | \$7,865.00 |
| 5,000 lb | 46478 | \$7,865.00 |
| 10,000 lb | 46479 | \$7,865.00 |
| 25,000 lb | 46480 | \$13,710.00 |
| 50,000 lb | 46481 | \$13,710.00 |
| 4-Module Kit | | |
| 2,500 lb | 76900 | \$10,400.00 |
| 5,000 lb | 46482 | \$10,400.00 |
| 10,000 lb | 46483 | \$10,400.00 |
| 25,000 lb | 46484 | \$17,890.00 |
| 50,000 lb | 46485 | \$17,890.00 |

Replacement Load Cell Order Information

| Load Rating (Per Module) | Part # | Price |
|--------------------------|--------|------------|
| 2,500 lb | 76655 | \$1,563.00 |
| 5,000 lb | 45712 | \$1,563.00 |
| 10,000 lb | 45713 | \$1,563.00 |
| 25,000 lb | 45714 | \$2,565.00 |
| 50,000 lb | 45715 | \$2,565.00 |

Dimensions

| Rated Capacity | A | B | C | D | E | F | G | H | J | K | L |
|------------------|------|------|------|------|------|------|------|------|------|------|-------|
| lb/in | | | | | | | | | | | |
| 2,500 to 10,000 | 5.00 | 3.50 | 4.00 | 1.00 | 0.52 | 1.00 | 0.52 | 3.50 | 4.00 | 6.50 | 8.00 |
| 25,000 to 50,000 | 6.00 | 4.50 | 5.00 | 1.25 | 0.78 | 1.00 | 0.78 | 4.50 | 5.00 | 7.75 | 10.00 |



RLC

Stainless Steel, Weigh Modules, VPG® Revere

LOAD CELLS /
WEIGH MODULES



Picture is a representation of actual product.

Load Cell Approvals



Order Information

| Load Rating (Per Module) | Part # | Price |
|---|--------|------------|
| Single Module (Includes Load Cell) | | |
| 0.5 t | 36401 | \$1,198.00 |
| 1 t | 36402 | \$1,198.00 |
| 2 t | 36403 | \$1,383.00 |
| 3.5 t | 36404 | \$1,383.00 |
| 5 t | 36405 | \$1,383.00 |
| 3-Module Kit | | |
| 0.5 t | 36406 | \$3,885.00 |
| 1 t | 36407 | \$3,885.00 |
| 2 t | 36408 | \$4,065.00 |
| 3.5 t | 36409 | \$4,065.00 |
| 5 t | 36410 | \$4,065.00 |
| 4-Module Kit | | |
| 0.5 t | 36411 | \$5,083.00 |
| 1 t | 36412 | \$5,083.00 |
| 2 t | 36413 | \$5,422.00 |
| 3.5 t | 36414 | \$5,422.00 |
| 5 t | 36415 | \$5,422.00 |

Replacement Rocker Pin Set*

| Load Rating (Per Module) | Part # | Price |
|--------------------------|--------|----------|
| 250 kg to 1 t | 170875 | \$132.00 |
| 2 t to 5 t | 170876 | \$132.00 |

*Kit includes upper cup, rocker pin and grease

Dimensions

| Rated Capacity | H | H1 | H2 | L | L1 | L2 | T | W | W1 | W2 |
|----------------|-------|------|------|-------|------|-------|---------------------|-------|------|------|
| ton/mm | | | | | | | | | | |
| 0.5 to 1 | 80.0 | 20.0 | 15.0 | 150.0 | 15.0 | 120.0 | 14.0 (top plate) | 100.0 | 70.0 | 15.0 |
| 2 to 5 | 100.0 | 20.0 | 20.0 | 160.0 | 20.0 | 120.0 | 13.8 (bottom plate) | 110.0 | 70.0 | 20.0 |

Complete Kit Includes

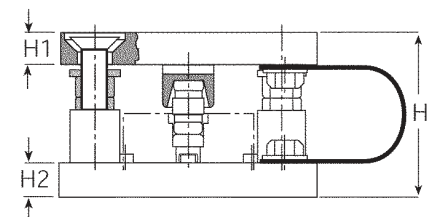
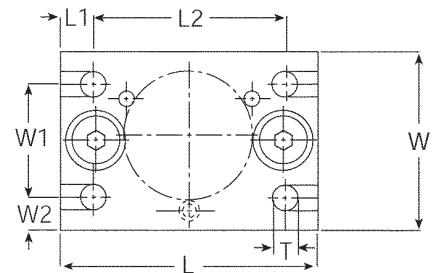
- Three or four RLC stainless steel compression mounts with RLC NTEP Certified stainless steel hermetically sealed compression disk load cells
- One JB4SS NEMA Type 4X stainless steel signal trim junction box
- 25 ft of hostile environment EL147HE SURVIVOR® load cell cable

Standard Features

- Capacities (per module): 0.5 to 5 t
- mV/V/Ohm calibrated load cells eliminates the need for trimming
- Stainless steel construction
- Rocker pin design allows movement in all directions
- Easy load cell replacement
- Integral jacking/shipping bolts

Applications

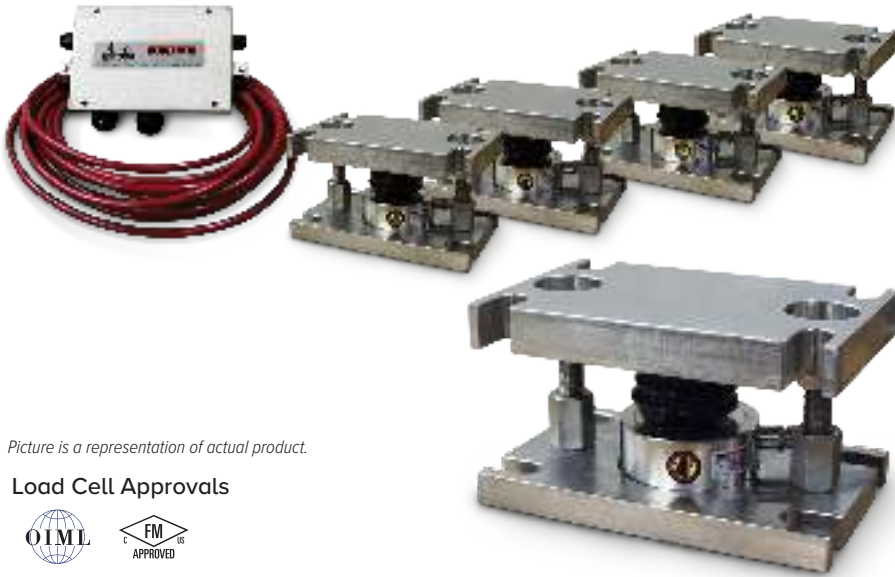
- Medium-capacity tanks, bins and hoppers
- Washdown or corrosive applications
- Process control and batch weighing



220 Universal Mount

Stainless Steel, Weigh Modules, VPG® Tedeia-Huntleigh®

LOAD CELLS /
WEIGH MODULES



Picture is a representation of actual product.

Load Cell Approvals



Complete Kit Includes

- Three or four 220 stainless steel compression mounts with 220 stainless steel hermetically sealed compression disk load cells
- One JB4SS NEMA Type 4X stainless steel signal trim junction box
- 25 ft of hostile environment EL147HE SURVIVOR® load cell cable

Standard Features

- Capacities (per module): 5,000 to 30,000 kg
- mV/V/ohm calibrated load cells eliminates the need for trimming
- Stainless steel construction
- Easy load cell replacement
- Integral jacking/shipping bolts

Applications

- Medium- to high-capacity tanks, bins and hoppers
- Washdown or corrosive applications
- Process control and batch weighing

Order Information

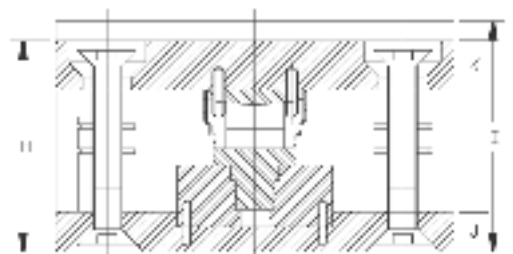
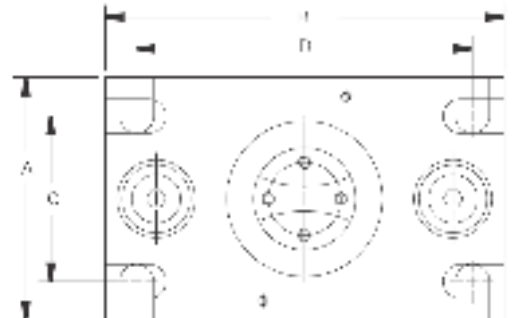
| Load Rating (Per Module) | Part # | Price |
|--|--------|------------|
| 3-Module Kit (Includes Load Cell) | | |
| 5,000 kg | 66208 | \$6,355.00 |
| 10,000 kg | 66209 | \$6,355.00 |
| 20,000 kg | 66210 | \$7,200.00 |
| 30,000 kg | 66211 | \$7,200.00 |
| 4-Module Kit (Includes Load Cell) | | |
| 5,000 kg | 66212 | \$8,369.00 |
| 10,000 kg | 66213 | \$8,369.00 |
| 20,000 kg | 66214 | \$9,672.00 |
| 30,000 kg | 66215 | \$9,672.00 |

Replacement Mount Parts

| Load Rating (Per Module) | Part # | Price |
|-----------------------------|--------|----------|
| Saddle 5 t to 10 t | 170879 | \$132.00 |
| Rolling cylinder 5 to 10t | 170882 | \$111.00 |
| Load adapter 5 t | 170880 | \$117.00 |
| Load adapter 10 t | 170881 | \$165.00 |
| Rubber boot 5 to 10 t | 171211 | \$37.00 |
| Saddle 20 to 30 t | 170884 | \$127.00 |
| Rolling cylinder 20 to 30 t | 170885 | \$58.00 |
| Load adapter 20 to 30 t | 170883 | \$111.00 |
| Rubber boot 20 to 30 t | 171212 | \$32.00 |

Dimensions

| Rated Capacity | A | B | C | D | E | H | I | J | K |
|------------------|-------|-------|-------|-------|------|-------|--|------|------|
| kg/mm | | | | | | | | | |
| 5,000 to 10,000 | 127.0 | 203.0 | 90.0 | 170.0 | 18.0 | 107.0 | Load Cell Replacement Height: 118.0 Operating Height: 107.0 | 19.1 | 25.4 |
| 20,000 to 30,000 | 152.0 | 245.0 | 115.0 | 208.0 | 24.0 | 148.0 | Load Cell Replacement Height: 156.0 Operating Height: 148.1 | 31.8 | 25.4 |



EZ Mount 1 with RL72020

Mild Steel, Weigh Modules

LOAD CELLS /
WEIGH MODULES



Picture is a representation of actual product.

Load Cell Approvals



Order Information

| Load Rating (Per Module) | Part # | Price |
|---|---------------|-------------|
| Single Module (Does NOT Include Load Cell) | | |
| 5,000 to 20,000 lb | 17823 | \$360.00 |
| 30,000 to 60,000 lb | 17824 | \$975.00 |
| 100,000 lb | 17850 | \$1,340.00 |
| 150,000 lb | 29012 | \$1,340.00 |
| 200,000 to 250,000 lb | 26068 | \$3,060.00 |
| 3-Module Kit | | |
| 5,000 lb | 208881 | \$3,310.00 |
| 10,000 lb | 208882 | \$3,310.00 |
| 20,000 lb | 208883 | \$3,310.00 |
| 30,000 lb | 208884 | \$5,350.00 |
| 40,000 lb | 208885 | \$5,350.00 |
| 50,000 lb | 208886 | \$5,350.00 |
| 60,000 lb | 208887 | \$5,350.00 |
| 100,000 lb | 208888 | \$8,620.00 |
| 150,000 lb | 208889 | \$8,620.00 |
| 4-Module Kit | | |
| 5,000 lb | 208892 | \$4,300.00 |
| 10,000 lb | 208893 | \$4,300.00 |
| 20,000 lb | 208894 | \$4,300.00 |
| 30,000 lb | 208895 | \$6,765.00 |
| 40,000 lb | 208896 | \$6,765.00 |
| 50,000 lb | 208897 | \$6,765.00 |
| 60,000 lb | 208898 | \$6,765.00 |
| 100,000 lb | 208899 | \$11,205.00 |
| 150,000 lb | 208900 | \$11,205.00 |

VPG Revere 5103

Order Information

| Load Rating (Per Module) | Part # | Price |
|--------------------------|---------------|-------------|
| 3-Module Kit | | |
| 5,000 lb | 18175 | \$3,420.00 |
| 10,000 lb | 18176 | \$3,420.00 |
| 20,000 lb | 18177 | \$3,420.00 |
| 30,000 lb | 32169 | \$5,465.00 |
| 40,000 lb | 32171 | \$5,465.00 |
| 50,000 lb | 18178 | \$5,625.00 |
| 60,000 lb | 18179 | \$5,625.00 |
| 100,000 lb | 18180 | \$8,735.00 |
| 150,000 lb | 18181 | \$8,735.00 |
| 4-Module Kit | | |
| 5,000 lb | 18182 | \$4,410.00 |
| 10,000 lb | 18183 | \$4,410.00 |
| 20,000 lb | 18184 | \$4,410.00 |
| 30,000 lb | 32170 | \$6,920.00 |
| 40,000 lb | 32172 | \$6,920.00 |
| 50,000 lb | 18185 | \$6,920.00 |
| 60,000 lb | 18186 | \$6,920.00 |
| 100,000 lb | 18187 | \$11,380.00 |
| 150,000 lb | 18188 | \$11,380.00 |
| Dummy Load Cells | | |
| 5,000 to 20,000 lb | 33749 | \$90.00 |
| 30,000 to 60,000 lb | 74016 | \$122.00 |
| 100,000 lb | 94175 | \$265.00 |
| 150,000 lb | 158715 | \$265.00 |
| Grounding Kit | | |
| 5,000 to 60,000 lb | 126419 | \$21.00 |

Complete Kit Includes

- Three or four EZ Mount 1 mild steel compression mounts with RL72020 NTEP Certified double-ended shear beam load cells
- One JB4SS NEMA Type 4X stainless steel signal trim junction box
- 25 ft of hostile environment EL147HE SURVIVOR® load cell cable

Standard Features

- Capacities (per module): 5,000 to 250,000 lb
- Unique sliding pin design compensates for thermal expansion/contraction
- Coated mild steel construction
- Self-checking
- Easy load cell replacement
- Simplified design allows bolting directly to tank and floor
- Center-loaded double-ended shear beam design
- Low-profile design
- Compatible with VPG® Revere 5103 load cell

Applications

- Medium-to heavy-capacity tank and hopper weighing applications

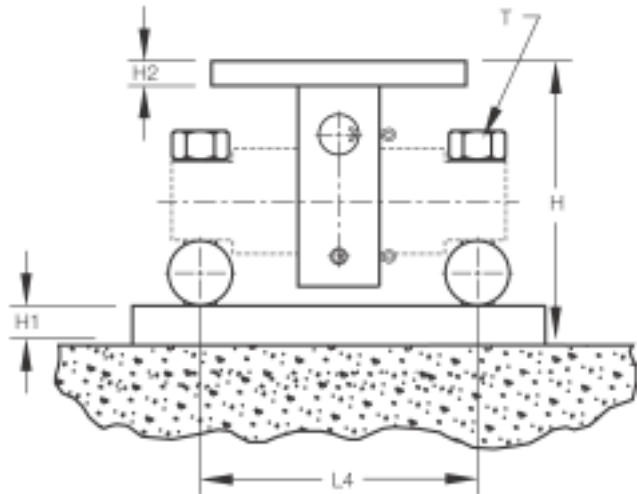
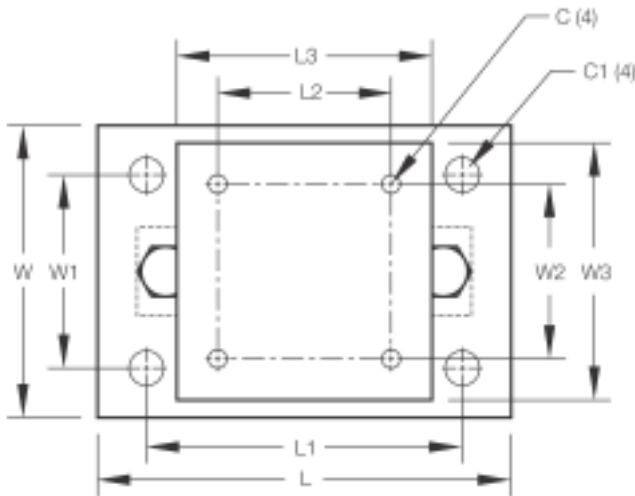
EZ Mount 1 with RL72020

Mild Steel, Weigh Modules

LOAD CELLS /
WEIGH MODULES

Dimensions

| Rated Capacity | C | C1 | H | H1 | H2 | L | L1 | L2 | L3 | L4 | T | W | W1 | W2 | W3 |
|--------------------|------|------|-------|------|------|-------|-------|------|-------|-------|--------------|-------|------|------|-------|
| 5,000 to 20,000 | 0.56 | 1.06 | 5.31 | 0.75 | 0.50 | 11.00 | 8.00 | 3.00 | 6.00 | 6.87 | 5/8-18 UNF | 7.50 | 4.00 | 3.00 | 6.00 |
| 30,000 to 60,000 | 0.68 | 1.19 | 8.43 | 1.00 | 0.75 | 15.00 | 11.50 | 5.12 | 8.00 | 8.50 | 1-14 UNS | 10.00 | 6.00 | 5.12 | 8.00 |
| 100,000 to 150,000 | 0.81 | 1.38 | 10.37 | 1.25 | 1.25 | 18.00 | 14.00 | 7.50 | 10.00 | 9.50 | 1-14 UNS | 12.00 | 9.00 | 7.50 | 10.00 |
| 200,000 to 250,000 | 1.06 | 1.88 | 16.75 | 2.00 | 2.00 | 26.00 | 20.00 | 9.00 | 12.00 | 13.00 | 1 1/2-12 UNS | 12.00 | 6.00 | 9.00 | 12.00 |



EZ Mount 1 SS with RL72020SS

Stainless Steel, Weigh Modules

LOAD CELLS /
WEIGH MODULES



Picture is a representation of actual product.

Load Cell Approvals



NTEP Excluding
5K and 150K



Complete Kit Includes

- Three or four EZ Mount 1 stainless steel compression mounts with RL72020SS stainless steel double-ended shear beam load cells
- One JB4SS NEMA Type 4X stainless steel signal trim junction box
- 25 ft of our hostile environment EL147HE SURVIVOR® load cell cable

Standard Features

- Capacities (per module): 5,000 to 150,000 lb
- NTEP Certified load cells (except for 5 k and 150 k)
- Stainless steel construction
- Unique sliding pin design compensates for thermal expansion/contraction
- Self-checking
- Easy load cell replacement
- Simplified design allows bolting directly to tank and floor
- Center-loaded double-ended shear beam design
- Low-profile design
- Compatible with VPG® Revere 9103 load cell

Applications

- Medium to heavy-capacity tank and hopper weighing applications

Order Information

| Load Rating (Per Module) | Part # | Price |
|---|---------------|-------------|
| Single Module (Does NOT Include Load Cell) | | |
| 5,000 to 20,000 lb | 17943 | \$885.00 |
| 30,000 to 60,000 lb | 17944 | \$2,450.00 |
| 100,000 lb | 17945 | \$4,480.00 |
| 150,000 lb | 29011 | \$4,480.00 |
| 3-Module Kit | | |
| 5,000 lb* | 208914 | \$5,290.00 |
| 10,000 lb | 208917 | \$5,290.00 |
| 20,000 lb | 208918 | \$5,290.00 |
| 30,000 lb | 208919 | \$10,640.00 |
| 40,000 lb | 208920 | \$10,640.00 |
| 50,000 lb | 208921 | \$10,640.00 |
| 60,000 lb | 208922 | \$10,640.00 |
| 100,000 lb | 208923 | \$19,570.00 |
| 150,000 lb* | 208924 | \$19,570.00 |

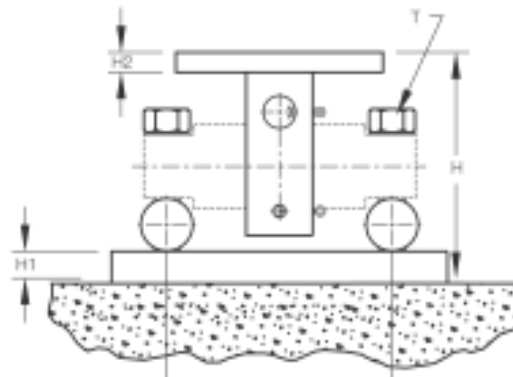
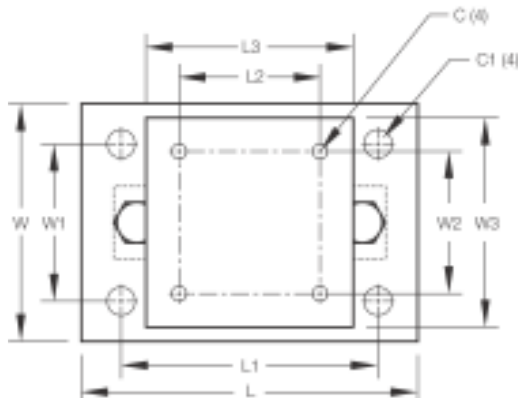
* Non-NTEP Certified

| Load Rating (Per Module) | Part # | Price |
|--------------------------------------|---------------|-------------|
| 4-Module Kit | | |
| 5,000 lb* | 208925 | \$6,865.00 |
| 10,000 lb | 208926 | \$6,865.00 |
| 20,000 lb | 208927 | \$6,865.00 |
| 30,000 lb | 208928 | \$14,010.00 |
| 40,000 lb | 208929 | \$14,010.00 |
| 50,000 lb | 208930 | \$14,010.00 |
| 60,000 lb | 208931 | \$14,010.00 |
| 100,000 lb | 208932 | \$26,030.00 |
| 150,000 lb* | 208933 | \$26,030.00 |
| Dummy Load Cells (Mild Steel) | | |
| 5,000 to 20,000 lb | 33749 | \$90.00 |
| 30,000 to 60,000 lb | 74016 | \$122.00 |
| 100,000 lb | 94175 | \$265.00 |
| 150,000 lb | 158715 | \$265.00 |
| Grounding Kit | | |
| 5,000 to 60,000 lb | 126419 | \$21.00 |

Includes ground strap and mounting hardware per mount

Dimensions

| Rated Capacity | C | C1 | H | H1 | H2 | L | L1 | L2 | L3 | L4 | T | W | W1 | W2 | W3 |
|--------------------|------|------|-------|------|------|-------|-------|------|-------|------|------------|-------|------|------|-------|
| lb/in | | | | | | | | | | | | | | | |
| 5,000 to 20,000 | 0.56 | 1.06 | 5.31 | 0.75 | 0.50 | 11.00 | 8.00 | 3.00 | 6.00 | 6.87 | 5/8-18 UNF | 7.50 | 4.00 | 3.00 | 6.00 |
| 30,000 to 60,000 | 0.68 | 1.19 | 8.43 | 1.00 | 0.75 | 15.00 | 11.50 | 5.12 | 8.00 | 8.50 | 1-14 UNS | 10.00 | 6.00 | 5.12 | 8.00 |
| 100,000 to 150,000 | 0.81 | 1.38 | 10.37 | 1.25 | 1.25 | 18.00 | 14.00 | 7.50 | 10.00 | 9.50 | 1-14 UNS | 12.00 | 9.00 | 7.50 | 10.00 |



EZ Mount 1 with MLC Coated RL72020

Stainless Steel, Weigh Modules

LOAD CELLS / WEIGH MODULES



Picture is a representation of actual product.

Load Cell Approvals



Order Information

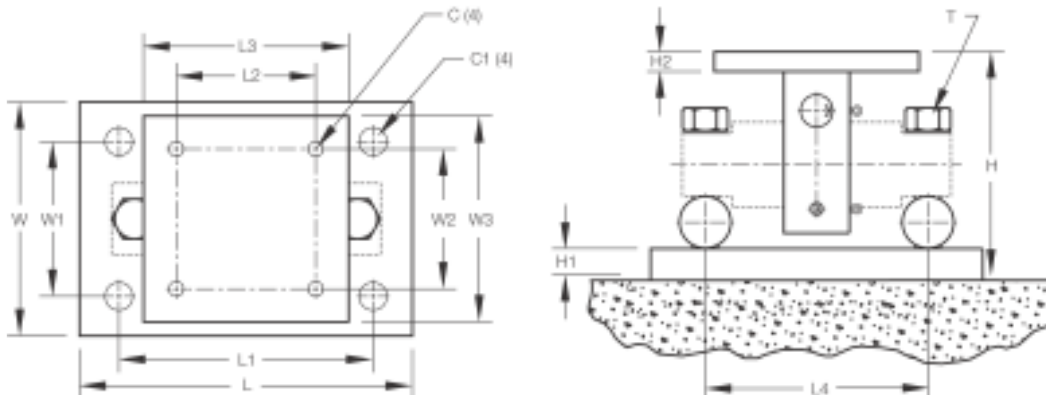
| Load Rating (Per Module) | Part # | Price |
|---|---------------|-------------|
| Single Module (Does NOT Include Load Cell) | | |
| 5,000 to 20,000 lb | 17943 | \$885.00 |
| 30,000 to 60,000 lb | 17944 | \$2,450.00 |
| 100,000 lb | 17945 | \$4,480.00 |
| 150,000 lb | 29011 | \$4,480.00 |
| 3-Module Kit | | |
| 5,000 lb | 208957 | \$4,775.00 |
| 10,000 lb | 208959 | \$4,775.00 |
| 20,000 lb | 208961 | \$4,775.00 |
| 30,000 lb | 208963 | \$9,895.00 |
| 40,000 lb | 208965 | \$9,895.00 |
| 50,000 lb | 208967 | \$9,895.00 |
| 60,000 lb | 208969 | \$9,895.00 |
| 100,000 lb | 208971 | \$18,515.00 |
| 150,000 lb | 208973 | \$18,515.00 |

| Load Rating (Per Module) | Part # | Price |
|--------------------------------------|---------------|-------------|
| 4-Module Kit | | |
| 5,000 lb | 208958 | \$6,380.00 |
| 10,000 lb | 208960 | \$6,380.00 |
| 20,000 lb | 208962 | \$6,380.00 |
| 30,000 lb | 208964 | \$13,195.00 |
| 40,000 lb | 208966 | \$13,195.00 |
| 50,000 lb | 208968 | \$13,195.00 |
| 60,000 lb | 208970 | \$13,195.00 |
| 100,000 lb | 208972 | \$24,650.00 |
| 150,000 lb | 208974 | \$24,650.00 |
| Dummy Load Cells (Mild Steel) | | |
| 5,000 to 20,000 lb | 33749 | \$90.00 |
| 30,000 to 60,000 lb | 74016 | \$122.00 |
| 100,000 lb | 94175 | \$265.00 |
| 150,000 lb | 158715 | \$265.00 |
| Grounding Kit | | |
| 5,000 to 60,000 lb | 126419 | \$21.00 |

Includes ground strap and mounting hardware per mount

Dimensions

| Rated Capacity | C | C1 | H | H1 | H2 | L | L1 | L2 | L3 | L4 | T | W | W1 | W2 | W3 |
|--------------------|------|------|-------|------|------|-------|-------|------|-------|------|------------|-------|------|------|-------|
| 5,000 to 20,000 | 0.56 | 1.06 | 5.31 | 0.75 | 0.50 | 11.00 | 8.00 | 3.00 | 6.00 | 6.87 | 5/8-18 UNF | 7.50 | 4.00 | 3.00 | 6.00 |
| 30,000 to 60,000 | 0.68 | 1.19 | 8.43 | 1.00 | 0.75 | 15.00 | 11.50 | 5.12 | 8.00 | 8.50 | 1-14 UNS | 10.00 | 6.00 | 5.12 | 8.00 |
| 100,000 to 150,000 | 0.81 | 1.38 | 10.37 | 1.25 | 1.25 | 18.00 | 14.00 | 7.50 | 10.00 | 9.50 | 1-14 UNS | 12.00 | 9.00 | 7.50 | 10.00 |



Complete Kit Includes

- Three or four EZ Mount 1 stainless steel compression mounts with coated RL72020 MLC Coated NTEP Certified double-ended shear beam load cells
- One JB4SS NEMA Type 4X stainless steel signal trim junction box
- 25 ft of hostile environment EL147HE SURVIVOR® load cell cable

Standard Features

- Capacities (per module): 5,000 to 150,000 lb
- Unique sliding pin design compensates for thermal expansion/contraction
- Stainless steel construction (mount)
- Self-checking
- Easy load cell replacement
- Simplified design allows bolting directly to tank and floor
- Center-loaded double-ended shear beam design
- Low-profile design

Applications

- Medium to heavy capacity tank and fertilizer hopper weighing applications

EZ Mount 1 HE

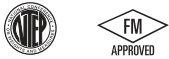
Stainless Steel, Weigh Modules

LOAD CELLS /
WEIGH MODULES



Picture is a representation of actual product.

Load Cell Approvals



Order Information

| Load Rating (Per Module) | Part # | Price |
|--------------------------------------|---------------|-------------|
| 3-Module Kit | | |
| 5,000 lb* | 46695 | \$6,235.00 |
| 10,000 lb | 46696 | \$6,235.00 |
| 20,000 lb | 46697 | \$6,235.00 |
| 30,000 lb | 46698 | \$12,375.00 |
| 40,000 lb | 46699 | \$12,375.00 |
| 50,000 lb | 46700 | \$12,375.00 |
| 60,000 lb | 46701 | \$12,375.00 |
| 4-Module Kit | | |
| 5,000 lb* | 46702 | \$8,390.00 |
| 10,000 lb | 46703 | \$8,390.00 |
| 20,000 lb | 46704 | \$8,390.00 |
| 30,000 lb | 46705 | \$16,175.00 |
| 40,000 lb | 46706 | \$16,175.00 |
| 50,000 lb | 46707 | \$16,175.00 |
| 60,000 lb | 46708 | \$16,175.00 |
| Dummy Load Cells (Mild Steel) | | |
| 5,000 to 20,000 lb | 33749 | \$90.00 |
| 30,000 to 60,000 lb | 74016 | \$122.00 |
| Grounding Kit | | |
| 5,000 to 60,000 lb | 126419 | \$21.00 |

Includes ground strap and mounting hardware
*Non-NTEP

Dimensions

| Rated Capacity | C | C1 | H | H1 | H2 | L | L1 | L2 | L3 | L4 | T | W | W1 | W2 | W3 |
|------------------------|------|------|------|------|------|-------|-------|------|------|------|------------|-------|------|------|------|
| 5,000 to 20,000 lb/in | 0.56 | 1.06 | 5.31 | 0.75 | 0.50 | 11.00 | 8.00 | 3.00 | 6.00 | 6.87 | 5/8-18 UNF | 7.50 | 4.00 | 3.00 | 6.00 |
| 30,000 to 60,000 lb/in | 0.68 | 1.19 | 8.43 | 1.00 | 0.75 | 15.00 | 11.50 | 5.12 | 8.00 | 8.50 | 1-14 UNS | 10.00 | 6.00 | 5.12 | 8.00 |

NOTES: Mounting bolts (T) may project on lower side of base plate. Foundation plate not included

Complete Kit Includes

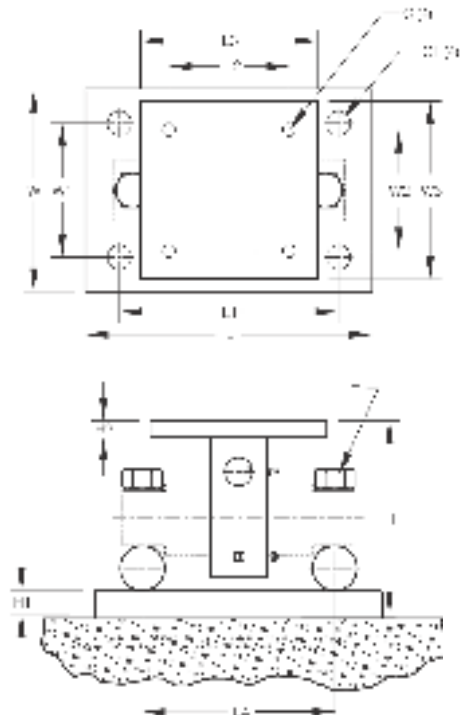
- Three or four EZ Mount 1 stainless steel compression mounts with RL72019SS welded-seal stainless steel double-ended shear beam load cells
- One JB4SS NEMA Type 4X stainless steel signal trim junction box
- 25 ft of our hostile environment EL147HE SURVIVOR® load cell cable

Standard Features

- Capacities (per module): 5,000 to 60,000 lb
- NTEP Certified (except 5,000 lb)
- Stainless steel construction
- Unique sliding pin design compensates for thermal expansion/contraction
- Self-checking
- Easy load cell replacement
- Simplified design allows bolting directly to tank and floor
- Center-loaded, double-ended shear beam design
- Low-profile design

Applications

- Medium- to heavy-capacity tank and hopper weighing applications



RL1600 Series with RL75016

Cast Iron, Weigh Modules

LOAD CELLS / WEIGH MODULES



Complete Kit Includes

- Three or four RL1600 cast iron compression mounts with RL75016 environmentally protected double-ended shear beam load cells
- One JB4SS NEMA Type 4X stainless steel signal trim junction box
- 25 ft of hostile environment EL147HE SURVIVOR® load cell cable

Standard Features

- Capacities (per module): 1,000 to 25,000 lb
- Cast iron construction
- Self-checking easy-to-use design allows module to be bolted directly to tank leg without requiring additional mounting plates or load buttons
- Double-ended beam design, center loaded
- Compatible with VPG® Sensortronics® 65016 load cells, capacities (per module): 1,000 to 25,000 lb

Applications

- Medium- to heavy-capacity tanks, bins and hoppers
- Bulk material management

Picture is a representation of actual product.

Order Information

| Load Rating (Per Module) | Part # | Price |
|---|--------------|------------|
| Single Module (Does NOT Include Load Cell) | | |
| 1,000 to 5,000 lb | 17964 | \$185.00 |
| 10,000 to 25,000 lb | 17965 | \$357.00 |
| 3-Module Kit | | |
| 1,000 lb | 25663 | \$2,285.00 |
| 1,500 lb | 25664 | \$2,285.00 |
| 2,000 lb | 25665 | \$2,285.00 |
| 2,500 lb | 25666 | \$2,285.00 |
| 3,000 lb | 25667 | \$2,285.00 |
| 5,000 lb | 25668 | \$2,285.00 |
| 10,000 lb | 25669 | \$3,000.00 |
| 15,000 lb | 25671 | \$3,000.00 |
| 20,000 lb | 25672 | \$3,000.00 |
| 25,000 lb | 25674 | \$3,000.00 |
| 4-Module Kit | | |
| 1,000 lb | 25675 | \$2,925.00 |
| 1,500 lb | 25676 | \$2,925.00 |
| 2,000 lb | 25677 | \$2,925.00 |
| 2,500 lb | 25678 | \$2,925.00 |
| 3,000 lb | 25679 | \$2,925.00 |
| 5,000 lb | 25680 | \$2,925.00 |
| 10,000 lb | 25681 | \$3,875.00 |
| 15,000 lb | 25682 | \$3,875.00 |
| 20,000 lb | 25683 | \$3,875.00 |
| 25,000 lb | 25684 | \$3,875.00 |

Contact factory for load cell upgrade

Dimensions

| Rated Capacity | C | H | H1 | H2 | L | L1 | L2 | L3 | T | W | W1 | W2 | W3 |
|------------------|------|------|------|------|-------|------|------|------|------------|------|------|------|------|
| 1,000 to 5,000 | 0.56 | 5.00 | 0.50 | 0.50 | 9.31 | 2.75 | 4.00 | 6.25 | 1/2-13 UNC | 5.00 | 3.75 | 2.75 | 4.00 |
| 10,000 to 25,000 | 0.78 | 7.89 | 0.75 | 0.75 | 12.00 | 6.00 | 8.00 | 7.50 | 3/4-10 UNC | 8.00 | 6.00 | 6.00 | 8.00 |

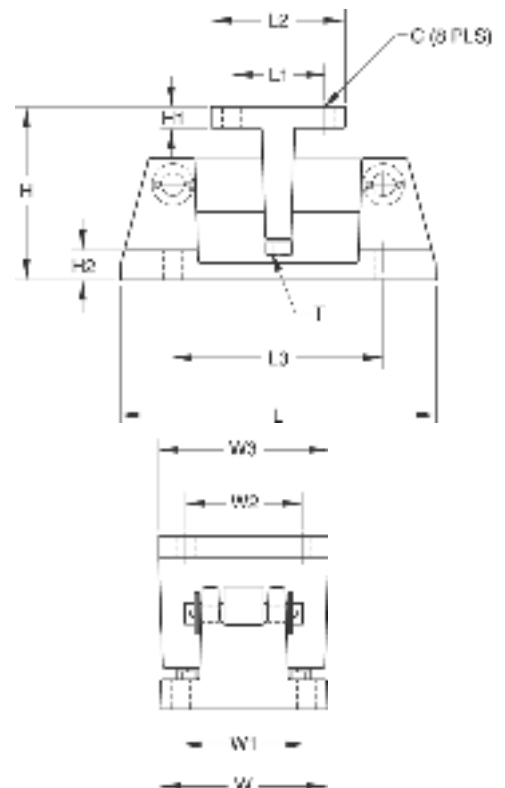
VPG Sensortronics 65016 Order Information

| Load Rating (Per Module) | Part # | Price |
|--------------------------|--------------|------------|
| 3-Module Kit | | |
| 1,000 lb | 25685 | \$2,685.00 |
| 1,500 lb | 25686 | \$2,685.00 |
| 2,500 lb | 25688 | \$2,685.00 |
| 5,000 lb | 25690 | \$2,685.00 |
| 10,000 lb | 25691 | \$3,400.00 |
| 15,000 lb | 25692 | \$3,400.00 |
| 20,000 lb | 25693 | \$3,400.00 |
| 25,000 lb | 25694 | \$3,400.00 |
| 4-Module Kit | | |
| 1,000 lb | 25695 | \$3,485.00 |
| 1,500 lb | 25696 | \$3,485.00 |
| 2,500 lb | 25698 | \$3,485.00 |
| 5,000 lb | 25700 | \$3,485.00 |
| 10,000 lb | 25701 | \$4,465.00 |
| 15,000 lb | 25702 | \$4,465.00 |
| 20,000 lb | 25703 | \$4,465.00 |
| 25,000 lb | 25704 | \$4,465.00 |
| Dummy Load Cells | | |
| 1,000 to 5,000 lb | 18236 | \$26.00 |
| 10,000 to 25,000 lb | 18237 | \$42.00 |

Contact factory for load cell upgrade

Shims, Mild Steel

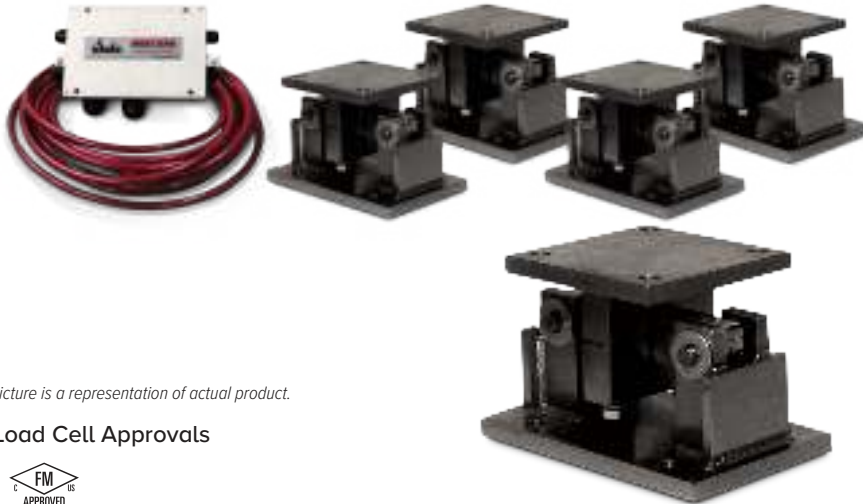
| | Part # | Price |
|----------------------------|---------------|--------|
| 1,000 to 5,000 lb | | |
| 0.0625 in | 150844 | \$2.00 |
| 0.125 in | 150845 | \$3.00 |
| 0.250 in | 150846 | \$3.00 |
| 10,000 to 25,000 lb | | |
| 0.0625 in | 150847 | \$5.00 |
| 0.125 in | 150848 | \$7.50 |
| 0.250 in | 150849 | \$8.00 |



RL1600 Series with RL75016

Mild Steel, Weigh Modules

LOAD CELLS /
WEIGH MODULES



Picture is a representation of actual product.

Load Cell Approvals



Order Information

| Load Rating (Per Module) | Part # | Price |
|---|--------------|------------|
| Single Module (Does NOT Include Load Cell) | | |
| 1,000 to 5,000 lb | 17812 | \$185.00 |
| 10,000 to 25,000 lb | 17814 | \$357.00 |
| 50,000 lb | 17816 | \$1,197.00 |
| 75,000 lb | 25346 | \$1,197.00 |
| 3-Module Kit | | |
| 1,000 lb | 18117 | \$2,285.00 |
| 1,500 lb | 18118 | \$2,285.00 |
| 2,000 lb | 18119 | \$2,285.00 |
| 2,500 lb | 18120 | \$2,285.00 |
| 3,000 lb | 18121 | \$2,285.00 |
| 5,000 lb | 18122 | \$2,285.00 |
| 10,000 lb | 18123 | \$3,000.00 |
| 15,000 lb | 18124 | \$3,000.00 |
| 20,000 lb | 18125 | \$3,000.00 |
| 25,000 lb | 18126 | \$3,000.00 |
| 50,000 lb | 18127 | \$6,305.00 |
| 75,000 lb | 25348 | \$6,305.00 |
| 4-Module Kit | | |
| 1,000 lb | 18129 | \$2,925.00 |
| 1,500 lb | 18130 | \$2,925.00 |
| 2,000 lb | 18131 | \$2,925.00 |
| 2,500 lb | 18132 | \$2,925.00 |
| 3,000 lb | 18133 | \$2,925.00 |
| 5,000 lb | 18134 | \$2,925.00 |
| 10,000 lb | 18135 | \$3,875.00 |
| 15,000 lb | 18136 | \$3,875.00 |
| 20,000 lb | 18137 | \$3,875.00 |
| 25,000 lb | 18138 | \$3,875.00 |
| 50,000 lb | 18139 | \$8,425.00 |
| 75,000 lb | 25349 | \$8,425.00 |

Contact factory for load cell upgrade

Dimensions

| Rated Capacity | C | H | H1 | H2 | L | L1 | L2 | L3 | T | W | W1 | W2 | W3 |
|------------------|------|------|------|------|-------|------|------|-------|-------------|-------|------|------|------|
| lb/in | | | | | | | | | | | | | |
| 1,000 to 5,000 | 0.56 | 5.00 | 0.50 | 0.50 | 9.25 | 2.75 | 4.00 | 6.25 | 1/2-13 UNC | 5.00 | 3.75 | 2.75 | 4.00 |
| 10,000 to 25,000 | 0.78 | 7.87 | 0.75 | 0.75 | 12.00 | 6.00 | 8.00 | 7.50 | 3/4-10 UNC | 8.00 | 6.00 | 6.00 | 8.00 |
| 50,000 to 75,000 | 0.78 | 9.25 | 1.00 | 1.00 | 16.25 | 6.50 | 9.00 | 11.50 | 1 1/4-7 UNC | 12.00 | 9.50 | 6.50 | 9.00 |

VPG Sentionics 65016

Order Information

| Load Rating (Per Module) | Part # | Price |
|--------------------------|--------------|------------|
| 3-Module Kit | | |
| 1,000 lb | 18189 | \$2,685.00 |
| 1,500 lb | 18190 | \$2,685.00 |
| 2,500 lb | 18192 | \$2,685.00 |
| 5,000 lb | 18194 | \$2,685.00 |
| 10,000 lb | 18195 | \$3,400.00 |
| 15,000 lb | 18196 | \$3,400.00 |
| 20,000 lb | 18197 | \$3,400.00 |
| 25,000 lb | 18198 | \$3,400.00 |
| 50,000 lb | 18199 | \$6,800.00 |
| 75,000 lb | 25350 | \$6,800.00 |
| 4-Module Kit | | |
| 1,000 lb | 18201 | \$3,485.00 |
| 1,500 lb | 18202 | \$3,485.00 |
| 2,500 lb | 18204 | \$3,485.00 |
| 5,000 lb | 18206 | \$3,485.00 |
| 10,000 lb | 18207 | \$4,465.00 |
| 15,000 lb | 18208 | \$4,465.00 |
| 20,000 lb | 18209 | \$4,465.00 |
| 25,000 lb | 18210 | \$4,465.00 |
| 50,000 lb | 18211 | \$8,920.00 |
| 75,000 lb | 25351 | \$8,920.00 |
| Dummy Load Cells | | |
| 1,000 to 5,000 lb | 18236 | \$26.00 |
| 10,000 to 25,000 lb | 18237 | \$42.00 |
| 50,000 lb | 18238 | \$56.00 |

Contact factory for load cell upgrade

Complete Kit Includes

- Three or four RL1600 mild steel compression mounts with RL75016 environmentally protected double-ended shear beam load cells
- One JB4SS NEMA Type 4X stainless steel signal trim junction box
- 25 ft of our hostile environment EL147HE SURVIVOR® load cell cable

Standard Features

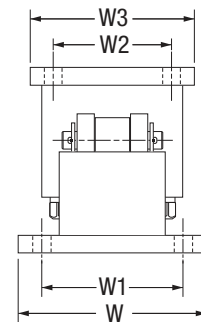
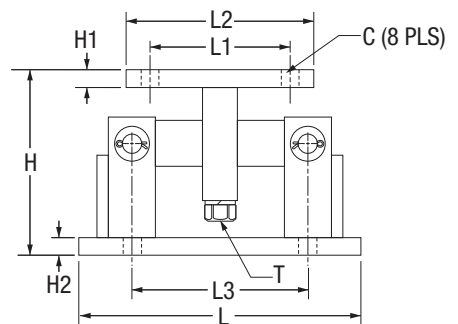
- Capacities (per module): 1,000 to 75,000 lb
- Coated mild steel construction
- Self-checking, easy-to-use design allows module to be bolted directly to tank leg without requiring additional mounting plates or load buttons
- Double-ended shear beam design, center loaded
- Compatible with VPG® Sentionics® 65016 load cells

Applications

- Medium- to heavy-capacity tanks, bins and hoppers
- Bulk material management

Shims, Mild Steel

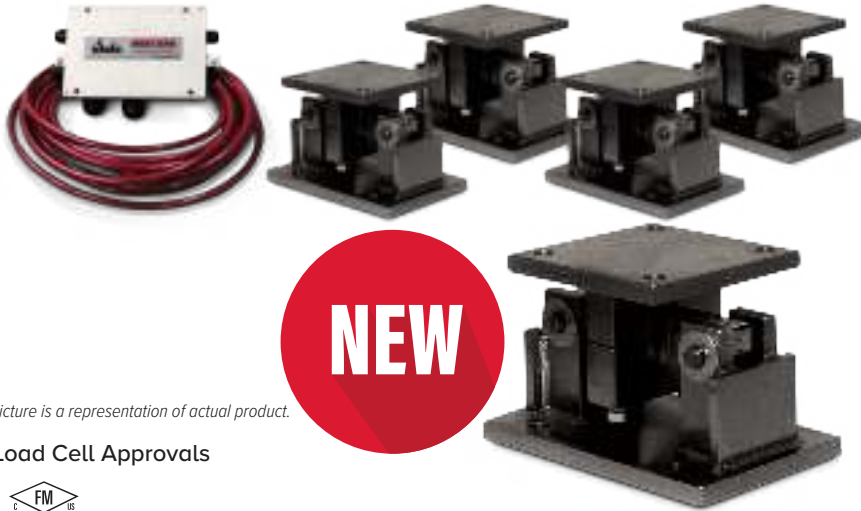
| | Part # | Price |
|----------------------------|---------------|--------|
| 1,000 to 5,000 lb | | |
| 0.0625 in | 150844 | \$2.00 |
| 0.125 in | 150845 | \$3.00 |
| 0.250 in | 150846 | \$3.00 |
| 10,000 to 25,000 lb | | |
| 0.0625 in | 150847 | \$5.00 |
| 0.125 in | 150848 | \$7.50 |
| 0.250 in | 150849 | \$8.00 |
| 50,000 to 75,000 lb | | |
| 0.0625 in | 150850 | \$7.00 |
| 0.125 in | 150851 | \$9.00 |
| 0.250 in | 150866 | \$7.50 |



RL1600 Series with RL77032

Mild Steel, Weigh Modules

LOAD CELLS / WEIGH MODULES



Picture is a representation of actual product.

Load Cell Approvals



Order Information

| Load Rating (Per Module) | Part # | Price |
|---|---------------|------------|
| Single Module (Does NOT Include Load Cell) | | |
| 1,000 to 5,000 lb | 17812 | \$185.00 |
| 10,000 to 25,000 lb | 17814 | \$357.00 |
| 50,000 lb | 17816 | \$1,197.00 |
| 75,000 lb | 25346 | \$1,197.00 |
| 3-Module Kit | | |
| 1,000 lb | 225213 | \$2,285.00 |
| 1,500 lb | 225214 | \$2,285.00 |
| 2,000 lb | 225215 | \$2,285.00 |
| 2,500 lb | 225216 | \$2,285.00 |
| 3,000 lb | 225217 | \$2,285.00 |
| 5,000 lb | 225218 | \$2,285.00 |
| 10,000 lb | 225219 | \$3,000.00 |
| 15,000 lb | 225220 | \$3,000.00 |
| 20,000 lb | 225221 | \$3,000.00 |
| 25,000 lb | 225222 | \$3,000.00 |
| 50,000 lb | 225223 | \$6,305.00 |
| 75,000 lb | 225224 | \$6,305.00 |
| 4-Module Kit | | |
| 1,000 lb | 225226 | \$2,925.00 |
| 1,500 lb | 225227 | \$2,925.00 |
| 2,000 lb | 225229 | \$2,925.00 |
| 2,500 lb | 225231 | \$2,925.00 |
| 3,000 lb | 225232 | \$2,925.00 |
| 5,000 lb | 225233 | \$2,925.00 |
| 10,000 lb | 225234 | \$3,875.00 |
| 15,000 lb | 225235 | \$3,875.00 |
| 20,000 lb | 225236 | \$3,875.00 |
| 25,000 lb | 225237 | \$3,875.00 |
| 50,000 lb | 225238 | \$8,425.00 |
| 75,000 lb | 225239 | \$8,425.00 |

Dimensions

| Rated Capacity | C | H | H1 | H2 | L | L1 | L2 | L3 | T | W | W1 | W2 | W3 |
|------------------|------|------|------|------|-------|------|------|-------|-------------|-------|------|------|------|
| lb/in | | | | | | | | | | | | | |
| 1,000 to 5,000 | 0.56 | 5.00 | 0.50 | 0.50 | 9.25 | 2.75 | 4.00 | 6.25 | 1/2-13 UNC | 5.00 | 3.75 | 2.75 | 4.00 |
| 10,000 to 25,000 | 0.78 | 7.87 | 0.75 | 0.75 | 12.00 | 6.00 | 8.00 | 7.50 | 3/4-10 UNC | 8.00 | 6.00 | 6.00 | 8.00 |
| 50,000 to 75,000 | 0.78 | 9.25 | 1.00 | 1.00 | 16.25 | 6.50 | 9.00 | 11.50 | 1 1/4-7 UNC | 12.00 | 9.50 | 6.50 | 9.00 |

VPG Sensortronics 65016 Order Information

| Load Rating (Per Module) | Part # | Price |
|--------------------------|--------------|------------|
| 3-Module Kit | | |
| 1,000 lb | 18189 | \$2,685.00 |
| 1,500 lb | 18190 | \$2,685.00 |
| 2,500 lb | 18192 | \$2,685.00 |
| 5,000 lb | 18194 | \$2,685.00 |
| 10,000 lb | 18195 | \$3,400.00 |
| 15,000 lb | 18196 | \$3,400.00 |
| 20,000 lb | 18197 | \$3,400.00 |
| 25,000 lb | 18198 | \$3,400.00 |
| 50,000 lb | 18199 | \$6,800.00 |
| 75,000 lb | 25350 | \$6,800.00 |
| 4-Module Kit | | |
| 1,000 lb | 18201 | \$3,485.00 |
| 1,500 lb | 18202 | \$3,485.00 |
| 2,500 lb | 18204 | \$3,485.00 |
| 5,000 lb | 18206 | \$3,485.00 |
| 10,000 lb | 18207 | \$4,465.00 |
| 15,000 lb | 18208 | \$4,465.00 |
| 20,000 lb | 18209 | \$4,465.00 |
| 25,000 lb | 18210 | \$4,465.00 |
| 50,000 lb | 18211 | \$8,920.00 |
| 75,000 lb | 25351 | \$8,920.00 |
| Dummy Load Cells | | |
| 1,000 to 5,000 lb | 18236 | \$26.00 |
| 10,000 to 25,000 lb | 18237 | \$42.00 |
| 50,000 lb | 18238 | \$56.00 |

Complete Kit Includes

- Three or four RL1600 mild steel compression mounts with RL77032 environmentally protected double-ended shear beam load cells
- One JB4SS NEMA Type 4X stainless steel signal trim junction box
- 25 ft of our hostile environment EL147HE SURVIVOR® load cell cable

Standard Features

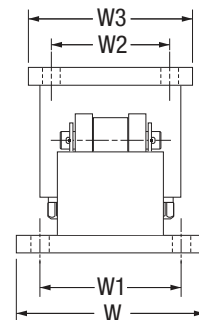
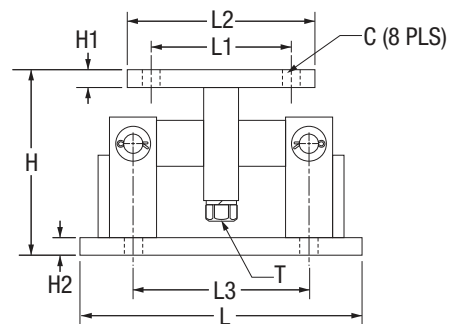
- Capacities (per module): 1,000 to 75,000 lb
- Coated mild steel construction
- Self-checking, easy-to-use design allows module to be bolted directly to tank leg without requiring additional mounting plates or load buttons
- Double-ended shear beam design, center loaded
- Compatible with VPG® Sensortronics® 65016 load cells

Applications

- Medium- to heavy-capacity tanks, bins and hoppers
- Bulk material management

Shims, Mild Steel

| | Part # | Price |
|----------------------------|---------------|--------|
| 1,000 to 5,000 lb | | |
| 0.0625 in | 150844 | \$2.00 |
| 0.125 in | 150845 | \$3.00 |
| 0.250 in | 150846 | \$3.00 |
| 10,000 to 25,000 lb | | |
| 0.0625 in | 150847 | \$5.00 |
| 0.125 in | 150848 | \$7.50 |
| 0.250 in | 150849 | \$8.00 |
| 50,000 to 75,000 lb | | |
| 0.0625 in | 150850 | \$7.00 |
| 0.125 in | 150851 | \$9.00 |
| 0.250 in | 150866 | \$7.50 |



RL1600 Series with RL75016SS

Stainless Steel, Weigh Modules

LOAD CELLS /
WEIGH MODULES



Picture is a representation of actual product.

Load Cell Approvals



Order Information

| Load Rating (Per Module) | Part # | Price |
|---|--------------|-------------|
| Single Module (Does NOT Include Load Cell) | | |
| 1,000 to 5,000 lb | 17813 | \$685.00 |
| 10,000 to 25,000 lb | 17815 | \$1,345.00 |
| 50,000 lb | 17842 | \$3,185.00 |
| 75,000 lb | 25347 | \$3,185.00 |
| 3-Module Kit | | |
| 1,000 lb | 18141 | \$3,820.00 |
| 1,500 lb | 18142 | \$3,820.00 |
| 2,000 lb | 18143 | \$3,820.00 |
| 2,500 lb | 18144 | \$3,820.00 |
| 5,000 lb | 18145 | \$3,820.00 |
| 10,000 lb | 18146 | \$5,830.00 |
| 15,000 lb | 18147 | \$5,830.00 |
| 20,000 lb | 18148 | \$5,830.00 |
| 25,000 lb | 18149 | \$5,830.00 |
| 50,000 lb | 18150 | \$13,255.00 |
| 75,000 lb | 25352 | \$13,255.00 |
| 4-Module Kit | | |
| 1,000 lb | 18152 | \$4,988.00 |
| 1,500 lb | 18153 | \$4,988.00 |
| 2,000 lb | 18154 | \$4,988.00 |
| 2,500 lb | 18155 | \$4,988.00 |
| 5,000 lb | 18156 | \$4,988.00 |
| 10,000 lb | 18157 | \$7,959.00 |
| 15,000 lb | 18158 | \$7,959.00 |
| 20,000 lb | 18159 | \$7,959.00 |
| 25,000 lb | 18160 | \$7,959.00 |
| 50,000 lb | 18161 | \$17,895.00 |
| 75,000 lb | 25353 | \$17,895.00 |

Dimensions

| Rated Capacity | C | H | H1 | H2 | L | L1 | L2 | L3 | T | W | W1 | W2 | W3 |
|------------------|------|------|------|------|-------|------|------|-------|-------------|-------|------|------|------|
| lb/in | | | | | | | | | | | | | |
| 1,000 to 5,000 | 0.56 | 5.00 | 0.50 | 0.50 | 9.25 | 2.75 | 4.00 | 6.25 | 1/2-13 UNC | 5.00 | 3.75 | 2.75 | 4.00 |
| 10,000 to 25,000 | 0.78 | 7.87 | 0.75 | 0.75 | 12.00 | 6.00 | 8.00 | 7.50 | 3/4-10 UNC | 8.00 | 6.00 | 6.00 | 8.00 |
| 50,000 to 75,000 | 0.78 | 9.25 | 1.00 | 1.00 | 16.25 | 6.50 | 9.00 | 11.50 | 1 1/4-7 UNC | 12.00 | 9.50 | 6.50 | 9.00 |

VPG Sensortronics 65016W Order Information

| Load Rating (Per Module) | Part # | Price |
|--------------------------------------|--------------|-------------|
| 3-Module Kit | | |
| 1,000 lb | 18213 | \$4,090.00 |
| 1,500 lb | 18214 | \$4,090.00 |
| 2,500 lb | 18216 | \$4,090.00 |
| 5,000 lb | 18217 | \$4,090.00 |
| 10,000 lb | 18218 | \$6,280.00 |
| 15,000 lb | 18219 | \$6,280.00 |
| 20,000 lb | 18220 | \$6,280.00 |
| 25,000 lb | 18221 | \$6,280.00 |
| 50,000 lb | 18222 | \$13,815.00 |
| 75,000 lb | 25354 | \$13,815.00 |
| 4-Module Kit | | |
| 1,000 lb | 18224 | \$5,375.00 |
| 1,500 lb | 18225 | \$5,375.00 |
| 2,500 lb | 18227 | \$5,375.00 |
| 5,000 lb | 18228 | \$5,375.00 |
| 10,000 lb | 18229 | \$8,290.00 |
| 15,000 lb | 18230 | \$8,290.00 |
| 20,000 lb | 18231 | \$8,290.00 |
| 25,000 lb | 18232 | \$8,290.00 |
| 50,000 lb | 18233 | \$18,225.00 |
| 75,000 lb | 25355 | \$18,225.00 |
| Dummy Load Cells (Mild Steel) | | |
| 1,000 to 5,000 lb | 18236 | \$26.00 |
| 10,000 to 25,000 lb | 18237 | \$42.00 |
| 50,000 lb | 18238 | \$56.00 |

Complete Kit Includes

- Three or four RL1600 stainless steel compression mounts with RL75016SS environmentally protected stainless steel double-ended shear beam load cells
- One JB4SS NEMA Type 4X stainless steel signal trim junction box
- 25 ft of hostile environment EL147HE SURVIVOR® load cell cable

Standard Features

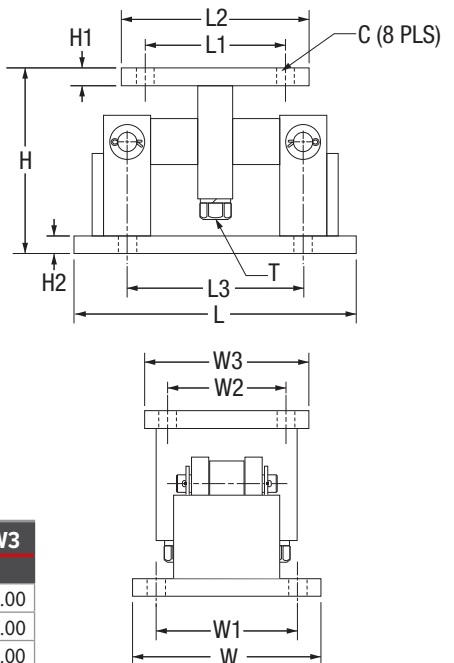
- Capacities (per module): 1,000 to 75,000 lb
- Stainless steel construction
- Self-checking, easy-to-use design allows module to be bolted directly to tank leg without requiring additional mounting plates or load buttons
- Double-ended shear beam design, center loaded
- Compatible with VPG® Sensortronics® 65016W SS load cells

Applications

- Medium- to heavy-capacity tanks, bins and hoppers
- Bulk material management

Shims, Stainless

| | Part # | Price |
|----------------------------|---------------|---------|
| 1,000 to 5,000 lb | | |
| 0.0625 | 150852 | \$7.00 |
| 0.125 | 150853 | \$12.00 |
| 0.250 | 150854 | \$18.00 |
| 10,000 to 25,000 lb | | |
| 0.0625 | 150855 | \$19.00 |
| 0.125 | 150856 | \$30.00 |
| 0.250 | 150857 | \$65.00 |
| 50,000 to 75,000 lb | | |
| 0.0625 | 150858 | \$27.00 |
| 0.125 | 150859 | \$38.00 |
| 0.250 | 150861 | \$79.00 |



RL1600 SS Series with RL77032SS

Stainless Steel, Weigh Modules

LOAD CELLS / WEIGH MODULES



Picture is a representation of actual product.

Load Cell Approvals



Order Information

| Load Rating (Per Module) | Part # | Price |
|---|---------------|-------------|
| Single Module (Does NOT Include Load Cell) | | |
| 1,000 to 5,000 lb | 17813 | \$685.00 |
| 10,000 to 25,000 lb | 17815 | \$1,345.00 |
| 50,000 lb | 17842 | \$3,185.00 |
| 75,000 lb | 25347 | \$3,185.00 |
| 3-Module Kit | | |
| 1,000 lb | 225333 | \$3,820.00 |
| 1,500 lb | 225334 | \$3,820.00 |
| 2,000 lb | 225335 | \$3,820.00 |
| 2,500 lb | 225336 | \$3,820.00 |
| 5,000 lb | 225337 | \$3,820.00 |
| 10,000 lb | 225338 | \$5,830.00 |
| 15,000 lb | 225340 | \$5,830.00 |
| 20,000 lb | 225341 | \$5,830.00 |
| 25,000 lb | 225342 | \$5,830.00 |
| 50,000 lb | 225343 | \$13,255.00 |
| 75,000 lb | 225344 | \$13,255.00 |
| 4-Module Kit | | |
| 1,000 lb | 225347 | \$4,988.00 |
| 1,500 lb | 225349 | \$4,988.00 |
| 2,000 lb | 225350 | \$4,988.00 |
| 2,500 lb | 225351 | \$4,988.00 |
| 5,000 lb | 225352 | \$4,988.00 |
| 10,000 lb | 225353 | \$7,959.00 |
| 15,000 lb | 225354 | \$7,959.00 |
| 20,000 lb | 225355 | \$7,959.00 |
| 25,000 lb | 225356 | \$7,959.00 |
| 50,000 lb | 225357 | \$17,895.00 |
| 75,000 lb | 225358 | \$17,895.00 |

Dimensions

| Rated Capacity | C | H | H1 | H2 | L | L1 | L2 | L3 | T | W | W1 | W2 | W3 |
|----------------------|------|------|------|------|-------|------|------|-------|-------------|-------|------|------|------|
| 1,000 to 5,000 lb/in | 0.56 | 5.00 | 0.50 | 0.50 | 9.25 | 2.75 | 4.00 | 6.25 | 1/2-13 UNC | 5.00 | 3.75 | 2.75 | 4.00 |
| 10,000 to 25,000 | 0.78 | 7.87 | 0.75 | 0.75 | 12.00 | 6.00 | 8.00 | 7.50 | 3/4-10 UNC | 8.00 | 6.00 | 6.00 | 8.00 |
| 50,000 to 75,000 | 0.78 | 9.25 | 1.00 | 1.00 | 16.25 | 6.50 | 9.00 | 11.50 | 1 1/4-7 UNC | 12.00 | 9.50 | 6.50 | 9.00 |

VPG Sensortronics 65016W Order Information

| Load Rating (Per Module) | Part # | Price |
|--------------------------------------|--------------|-------------|
| 3-Module Kit | | |
| 1,000 lb | 18213 | \$4,090.00 |
| 1,500 lb | 18214 | \$4,090.00 |
| 2,500 lb | 18216 | \$4,090.00 |
| 5,000 lb | 18217 | \$4,090.00 |
| 10,000 lb | 18218 | \$6,280.00 |
| 15,000 lb | 18219 | \$6,280.00 |
| 20,000 lb | 18220 | \$6,280.00 |
| 25,000 lb | 18221 | \$6,280.00 |
| 50,000 lb | 18222 | \$13,815.00 |
| 75,000 lb | 25354 | \$13,815.00 |
| 4-Module Kit | | |
| 1,000 lb | 18224 | \$5,375.00 |
| 1,500 lb | 18225 | \$5,375.00 |
| 2,500 lb | 18227 | \$5,375.00 |
| 5,000 lb | 18228 | \$5,375.00 |
| 10,000 lb | 18229 | \$8,290.00 |
| 15,000 lb | 18230 | \$8,290.00 |
| 20,000 lb | 18231 | \$8,290.00 |
| 25,000 lb | 18232 | \$8,290.00 |
| 50,000 lb | 18233 | \$18,225.00 |
| 75,000 lb | 25355 | \$18,225.00 |
| Dummy Load Cells (Mild Steel) | | |
| 1,000 to 5,000 lb | 18236 | \$26.00 |
| 10,000 to 25,000 lb | 18237 | \$42.00 |
| 50,000 lb | 18238 | \$56.00 |

Complete Kit Includes

- Three or four RL1600 stainless steel compression mounts with RL77032SS environmentally protected stainless steel double-ended shear beam load cells
- One JB4SS NEMA Type 4X stainless steel signal trim junction box
- 25 ft of hostile environment EL147HE SURVIVOR® load cell cable

Standard Features

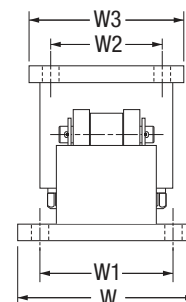
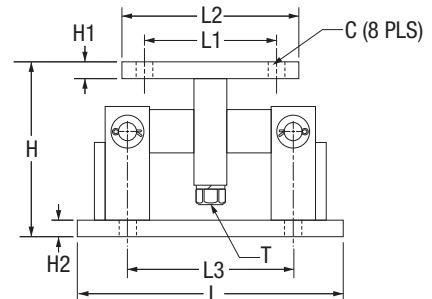
- Capacities (per module): 1,000 to 75,000 lb
- Stainless steel construction
- Self-checking, easy-to-use design allows module to be bolted directly to tank leg without requiring additional mounting plates or load buttons
- Double-ended shear beam design, center loaded
- Compatible with VPG® Sensortronics® 65016W SS load cells

Applications

- Medium- to heavy-capacity tanks, bins and hoppers
- Bulk material management

Shims, Stainless

| | Part # | Price |
|----------------------------|---------------|---------|
| 1,000 to 5,000 lb | | |
| 0.0625 | 150852 | \$7.00 |
| 0.125 | 150853 | \$12.00 |
| 0.250 | 150854 | \$18.00 |
| 10,000 to 25,000 lb | | |
| 0.0625 | 150855 | \$19.00 |
| 0.125 | 150856 | \$30.00 |
| 0.250 | 150857 | \$65.00 |
| 50,000 to 75,000 lb | | |
| 0.0625 | 150858 | \$27.00 |
| 0.125 | 150859 | \$38.00 |
| 0.250 | 150861 | \$79.00 |



RL1600 Series with MLC Coated RL75016

Stainless Steel, Weigh Modules

LOAD CELLS /
WEIGH MODULES



Picture is a representation of actual product.

Load Cell Approvals



Order Information

| Load Rating (Per Module) | Part # | Price |
|---|--------|-------------|
| Single Module (Does NOT Include Load Cell) | | |
| 1,000 to 5,000 lb | 17813 | \$685.00 |
| 10,000 to 25,000 lb | 17815 | \$1,345.00 |
| 50,000 lb | 17842 | \$3,185.00 |
| 75,000 lb | 25347 | \$3,185.00 |
| 3-Module Kit | | |
| 1,000 lb | 199023 | \$3,820.00 |
| 1,500 lb | 199025 | \$3,820.00 |
| 2,000 lb | 199027 | \$3,820.00 |
| 2,500 lb | 199029 | \$3,820.00 |
| 3,000 lb | 199031 | \$3,820.00 |
| 5,000 lb | 199033 | \$3,820.00 |
| 10,000 lb | 199035 | \$5,830.00 |
| 15,000 lb | 199037 | \$5,830.00 |
| 20,000 lb | 199038 | \$5,830.00 |
| 25,000 lb | 199040 | \$5,830.00 |
| 50,000 lb | 199042 | \$13,255.00 |
| 75,000 lb | 199044 | \$13,255.00 |
| 4-Module Kit | | |
| 1,000 lb | 199024 | \$4,985.00 |
| 1,500 lb | 199026 | \$4,985.00 |
| 2,000 lb | 199028 | \$4,985.00 |
| 2,500 lb | 199030 | \$4,985.00 |
| 3,000 lb | 199032 | \$4,985.00 |
| 5,000 lb | 199034 | \$4,985.00 |
| 10,000 lb | 199036 | \$7,955.00 |
| 15,000 lb | 199056 | \$7,955.00 |
| 20,000 lb | 199039 | \$7,955.00 |
| 25,000 lb | 199041 | \$7,955.00 |
| 50,000 lb | 199043 | \$17,895.00 |
| 75,000 lb | 199045 | \$17,895.00 |

Dimensions

| Rated Capacity | C | H | H1 | H2 | L | L1 | L2 | L3 | T | W | W1 | W2 | W3 |
|------------------|------|------|------|------|-------|------|------|-------|-------------|-------|------|------|------|
| 1,000 to 5,000 | 0.56 | 5.00 | 0.50 | 0.50 | 9.25 | 2.75 | 4.00 | 6.25 | 1/2-13 UNC | 5.00 | 3.75 | 2.75 | 4.00 |
| 10,000 to 25,000 | 0.78 | 7.87 | 0.75 | 0.75 | 12.00 | 6.00 | 8.00 | 7.50 | 3/4-10 UNC | 8.00 | 6.00 | 6.00 | 8.00 |
| 50,000 to 75,000 | 0.78 | 9.25 | 1.00 | 1.00 | 16.25 | 6.50 | 9.00 | 11.50 | 1 1/4-7 UNC | 12.00 | 9.50 | 6.50 | 9.00 |

Complete Kit Includes

- Three or four RL1600 stainless steel compression mounts with MLC coated RL75016 alloy steel, environmentally sealed, double ended shear beam load cells
- One JB4SS NEMA Type 4X stainless steel signal trim junction box
- 25 ft of hostile environment EL147HE SURVIVOR® load cell cable

Standard Features

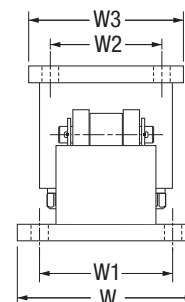
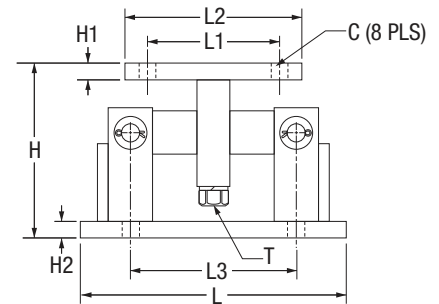
- Capacities (per module): 1,000 to 75,000 lb
- Stainless steel construction (mounts)
- Self-checking, easy-to-use design allows module to be bolted directly to tank leg without requiring additional mounting plates or load buttons
- Double-ended shear beam design, center loaded

Applications

- Medium-to heavy-capacity tanks, bins, and hoppers
- Bulk material management

Shims, Stainless

| | Part # | Price |
|----------------------------|--------|---------|
| 1,000 to 5,000 lb | | |
| 0.0625 | 150852 | \$7.00 |
| 0.125 | 150853 | \$12.00 |
| 0.250 | 150854 | \$18.00 |
| 10,000 to 25,000 lb | | |
| 0.0625 | 150855 | \$19.00 |
| 0.125 | 150856 | \$30.00 |
| 0.250 | 150857 | \$65.00 |
| 50,000 to 75,000 lb | | |
| 0.0625 | 150858 | \$27.00 |
| 0.125 | 150859 | \$38.00 |
| 0.250 | 150861 | \$79.00 |



RL1600 HE Series with RL77032SS HE

Stainless Steel, Weigh Modules

LOAD CELLS /
WEIGH MODULES



Picture is a representation of actual product.

Load Cell Approvals



NEW

Complete Kit Includes

- Three or four RL1600 HE stainless steel compression mounts with RL77032SS HE stainless steel, hermetically sealed, double-ended shear beam load cells
- One JB4SS NEMA Type 4X stainless steel signal trim junction box
- 25 ft of our hostile environment EL147HE SURVIVOR load cell cable

Standard Features

- All stainless steel construction
- Self-checking, easy-to-use design allows module to be bolted directly to tank leg without requiring additional mounting plates or load buttons
- Center loaded

Applications

- Medium-capacity tanks, bins and hoppers
- Bulk material management
- Ingredient batching, mixing and blending

Order Information

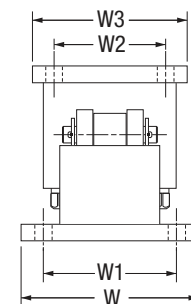
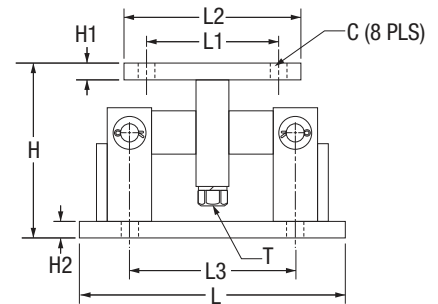
| Load Rating (Per Module) | Part # | Price |
|---|--------|-------------|
| Single Module (Does NOT Include Load Cell) | | |
| 1,000 to 5,000 lb | 17813 | \$685.00 |
| 10,000 to 25,000 lb | 17815 | \$1,345.00 |
| 50,000 lb | 17842 | \$3,185.00 |
| 75,000 lb | 25347 | \$3,185.00 |
| 3-Module Kit | | |
| 1,000 lb | 225359 | \$4,500.00 |
| 1,500 lb | 225360 | \$4,500.00 |
| 2,000 lb | 225361 | \$4,500.00 |
| 2,500 lb | 225362 | \$4,500.00 |
| 5,000 lb | 225363 | \$4,500.00 |
| 10,000 lb | 225364 | \$6,725.00 |
| 15,000 lb | 225365 | \$6,725.00 |
| 20,000 lb | 225366 | \$6,725.00 |
| 25,000 lb | 225367 | \$6,725.00 |
| 50,000 lb | 225368 | \$14,180.00 |
| 75,000 lb | 225369 | \$14,180.00 |
| 4-Module Kit | | |
| 1,000 lb | 225370 | \$5,865.00 |
| 1,500 lb | 225371 | \$5,865.00 |
| 2,000 lb | 225372 | \$5,865.00 |
| 2,500 lb | 225373 | \$5,865.00 |
| 5,000 lb | 225374 | \$5,865.00 |
| 10,000 lb | 225375 | \$8,800.00 |
| 15,000 lb | 225376 | \$8,800.00 |
| 20,000 lb | 225377 | \$8,800.00 |
| 25,000 lb | 225378 | \$8,800.00 |
| 50,000 lb | 225379 | \$18,815.00 |
| 75,000 lb | 225380 | \$18,815.00 |
| Dummy Load Cell | | |
| 1,000 to 5,000 lb | 18236 | \$26.00 |
| 10,000 to 25,000 lb | 18237 | \$42.00 |

Dimensions

| Rated Capacity | C | H | H1 | H2 | L | L1 | L2 | L3 | T | W | W1 | W2 | W3 |
|------------------|------|------|------|------|-------|------|------|-------|-------------|-------|------|------|------|
| lb/in | | | | | | | | | | | | | |
| 1,000 to 5,000 | 0.56 | 5.00 | 0.50 | 0.50 | 9.25 | 2.75 | 4.00 | 6.25 | 1/2-13 UNC | 5.00 | 3.75 | 2.75 | 4.00 |
| 10,000 to 25,000 | 0.78 | 7.87 | 0.75 | 0.75 | 12.00 | 6.00 | 8.00 | 7.50 | 3/4-10 UNC | 8.00 | 6.00 | 6.00 | 8.00 |
| 50,000 to 75,000 | 0.78 | 9.25 | 1.00 | 1.00 | 16.25 | 6.50 | 9.00 | 11.50 | 1 1/4-7 UNC | 12.00 | 9.50 | 6.50 | 9.00 |

Shims, Stainless

| | Part # | Price |
|----------------------------|--------|---------|
| 1,000 to 5,000 lb | | |
| 0.0625 | 150852 | \$7.00 |
| 0.125 | 150853 | \$12.00 |
| 0.250 | 150854 | \$18.00 |
| 10,000 to 25,000 lb | | |
| 0.0625 | 150855 | \$19.00 |
| 0.125 | 150856 | \$30.00 |
| 0.250 | 150857 | \$65.00 |
| 50,000 to 75,000 lb | | |
| 0.0625 | 150858 | \$27.00 |
| 0.125 | 150859 | \$38.00 |
| 0.250 | 150861 | \$79.00 |



MVS Mount/MVS

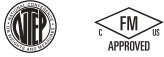
Mild Steel, Conversion Kit

LOAD CELLS / WEIGH MODULES



Picture is a representation of actual product.

Load Cell Approvals



Order Information

| Load Rating (Per Module) | Part # | Price |
|--|---------------|-------------|
| MVS Mount (Does NOT Include Load Cell) | | |
| 10,000 to 25,000 lb | 71200 | \$725.00 |
| 50,000 to 75,000 lb | 46441 | \$865.00 |
| 100,000 to 125,000 lb | 68520 | \$1,475.00 |
| MVS Conversion Kits (Includes 75,000 lb* Load Cells, Mounts and Junction Box) | | |
| 4-module kit | 68495 | \$7,505.00 |
| 6-module kit | 68496 | \$11,050.00 |
| 8-module kit | 68497 | \$15,020.00 |
| 10-module kit | 68498 | \$19,465.00 |
| Dummy Load Cell | | |
| 50,000 to 75,000 lb | 169388 | \$175.00 |
| 100,000 to 125,000 lb | 159696 | \$212.00 |

Custom heights available; Consult
*Consult for other capacity requirements

Complete Kit Includes

- Four to ten MVS mild steel mounts with RL75058-LP 75,000 lb NTEP Certified alloy steel environmentally sealed double-ended beam load cells.
- One JB8SPT NEMA 4 Type signal trim junction box (JB1010 on 10 module kit)
- 100 ft of our hostile environment EL147HE SURVIVOR® load cell cable

Standard Features

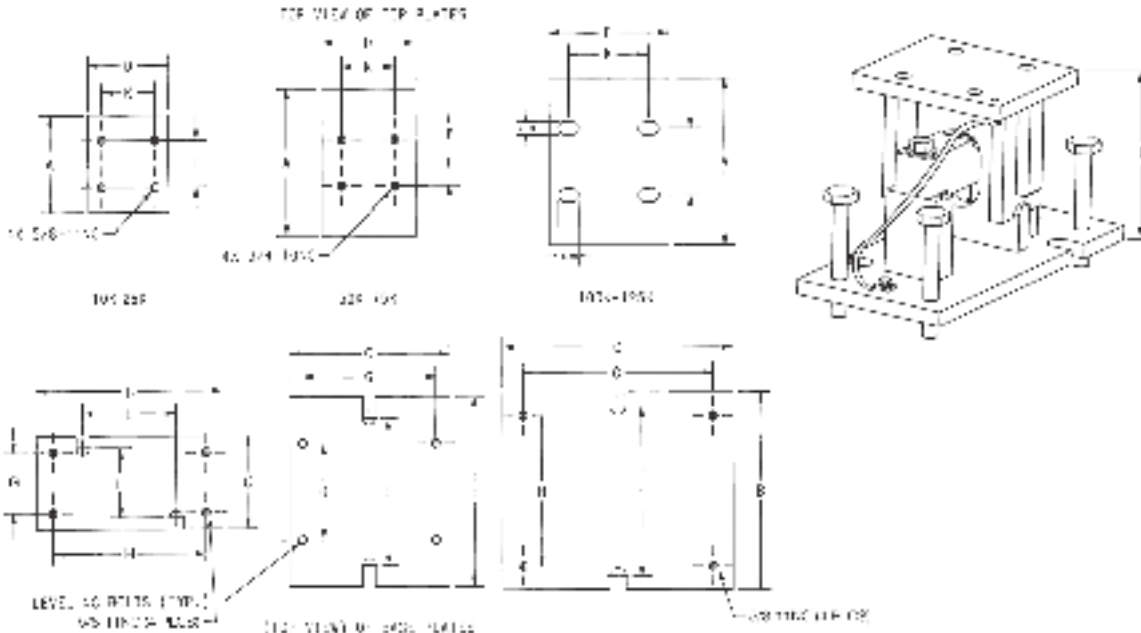
- Capacity (per module): 10,000 to 125,000 lb
- Mild steel construction
- Specially hardened center link
- Self-checking design
- Self-centering design
- Accommodates thermal expansion and contraction
- Compatible with VPG® Sensortronics® 65058 or VPG® Celtron® CLB

Applications

- Truck scale conversion
- Heavy-capacity horizontal tanks

Dimensions

| Rated Capacity | A | B | C | D | E | F | G | H | I | J | K |
|--------------------|-------|-------|-------|------|------|-------|-------|-------|------|-------|------|
| lb/in | | | | | | | | | | | |
| 10,000 to 25,000 | 7.25 | 14.00 | 7.00 | 6.00 | 7.00 | 5.25 | 4.50 | 11.50 | 3.50 | 8.50 | 4.00 |
| 50,000 to 75,000 | 11.00 | 14.25 | 12.00 | 7.00 | — | 11.00 | 10.00 | 7.25 | 3.50 | 11.53 | 4.00 |
| 100,000 to 125,000 | 12.50 | 14.75 | 17.25 | 9.00 | — | 12.75 | 14.25 | 11.25 | 5.00 | 14.21 | 6.00 |



Translink™ Parallel Link

Painted Mild Steel, Truck Scale Assembly

LOAD CELLS /
WEIGH MODULES



Mount only; does not include load cell.
Picture is a representation of actual product.

Standard Features

- Capacities (per module): 25,000 to 100,000 lb
- Painted mild steel construction
- Center-supported, end-loaded double-ended shear beam design
- Free movement in all directions in the horizontal plane with virtually no friction
- Links provide optimal loading conditions for the cell
- Completely self-centering
- Requires no check rods
- Utilizes cells with 3 mV/V output
- Compatible with Rice Lake RL75223 and RL75040, VPG® Revere 5223 and VPG® Sensortronics® 65040A load cells

Order Information

| Load Rating (Per Module) | Part # | Price |
|--|--------------|----------|
| For Use With RL75223, 5223 Load Cells | | |
| 50,000 to 100,000 lb | 17970 | \$885.00 |
| For Use With RL75040, 65040A Load Cells | | |
| 25,000 to 40,000 lb | 17971 | \$885.00 |
| 50,000 to 75,000 lb | 17972 | \$885.00 |

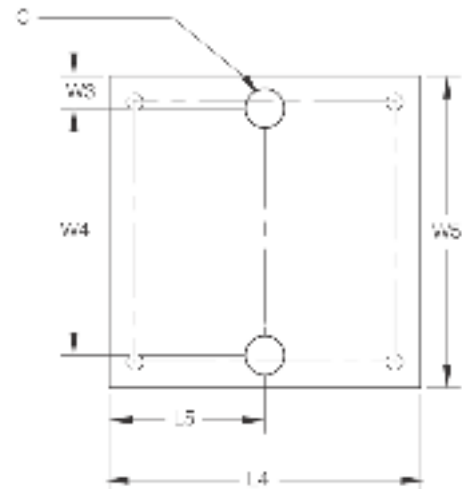
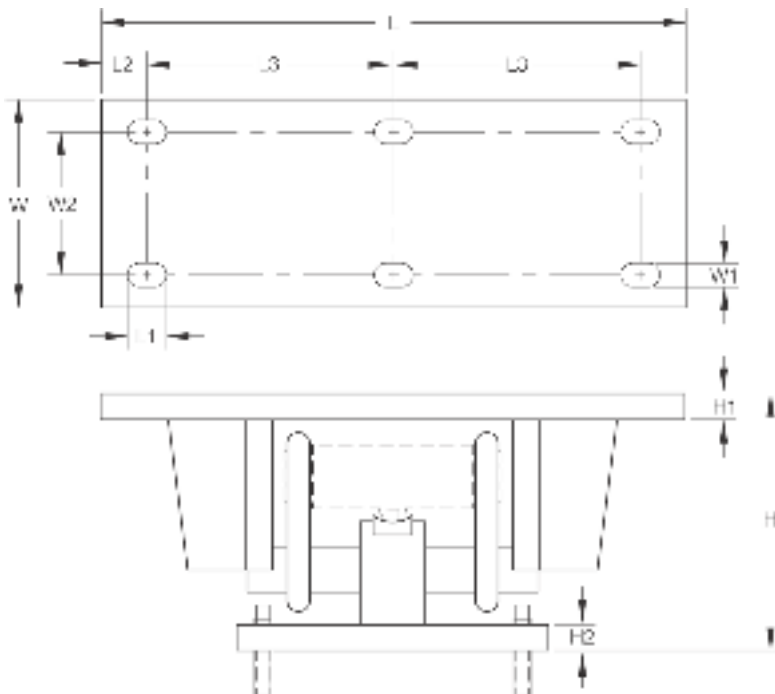
Mount only; does not include load cell

Applications

- Truck scale mount
- Heavy-capacity horizontal tanks

Dimensions

| Rated Capacity | C | H | H1 | H2 | L | L1 | L2 | L3 | L4 | L5 | W | W1 | W2 | W3 | W4 | W5 |
|------------------------------------|------|-------|------|------|-------|------|------|------|-------|------|------|------|------|------|------|-------|
| lb/in | | | | | | | | | | | | | | | | |
| 50,000 to 100,000 (RL75223, 5223) | 1.50 | 12.93 | 1.00 | 1.00 | 22.50 | 1.50 | 1.75 | 9.50 | 11.75 | 5.88 | 7.75 | 0.91 | 5.25 | 1.25 | 9.25 | 11.75 |
| 25,000 to 40,000 (RL75040, 65040A) | 1.50 | 9.88 | 1.00 | 1.00 | 18.50 | 1.50 | 1.75 | 7.50 | 11.75 | 5.88 | 7.75 | 0.91 | 5.25 | 1.25 | 9.25 | 11.75 |
| 50,000 to 75,000 (RL75040, 65040A) | 1.50 | 12.82 | 1.00 | 1.00 | 22.50 | 1.50 | 1.75 | 9.50 | 11.75 | 5.88 | 7.75 | 0.91 | 5.25 | 1.25 | 9.25 | 11.75 |



Motor Truck Scale Electronic Conversion Kit

LOAD CELLS /
WEIGH MODULES



Picture is a representation of actual product.

Load Cell Approvals



Order Information

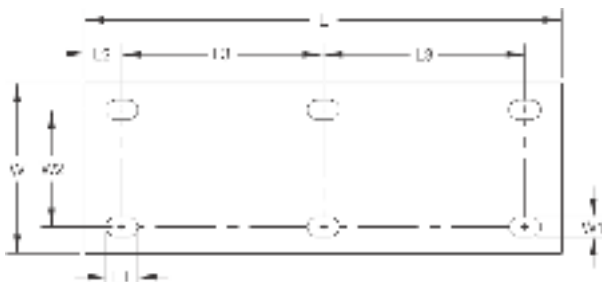
| Load Cell Capacity (Per Module) | Part # | Load Cell Used In Kit | Price |
|---------------------------------|--------------|-----------------------|-------------|
| 4-Module Kit | | | |
| 25,000 lb | 30513 | RL75040 | \$6,324.00 |
| 40,000 lb | 30514 | RL75040 | \$6,854.00 |
| 6-Module Kit | | | |
| 50,000 lb | 30515 | RL75040 | \$10,765.00 |
| 60,000 lb | 30516 | RL75040 | \$10,765.00 |
| 8-Module Kit | | | |
| 60,000 lb | 30517 | RL75040 | \$13,899.00 |
| 75,000 lb | 30518 | RL75040 | \$13,899.00 |
| 100,000 lb | 30512 | RL75223 | \$16,787.00 |

SD refers to super duty, 100,000 lb capacity welded-seal load cells

Dimensions

| Rated Capacity | C | H* | H1 | H2 | L | L1 | L2 | L3 | L4 | L5 | W | W1 | W2 | W3 | W4** | W5 |
|-----------------------------|------|-------|------|------|-------|------|------|------|-------|------|------|------|------|------|------|-------|
| 50,000 to 100,000 (RL75223) | 1.50 | 12.93 | 1.00 | 1.00 | 22.50 | 1.50 | 1.75 | 9.50 | 11.75 | 5.88 | 7.75 | 0.91 | 5.25 | 1.25 | 9.25 | 11.75 |
| 25,000 to 40,000 (RL75040) | 1.50 | 9.88 | 1.00 | 1.00 | 18.50 | 1.50 | 1.75 | 7.50 | 11.75 | 5.88 | 7.75 | 0.91 | 5.25 | 1.25 | 9.25 | 11.75 |
| 50,000 to 75,000 (RL75040) | 1.50 | 12.82 | 1.00 | 1.00 | 22.50 | 1.50 | 1.75 | 9.50 | 11.75 | 5.88 | 7.75 | 0.91 | 5.25 | 1.25 | 9.25 | 11.75 |

*Custom heights available; consult



Complete Kit Includes

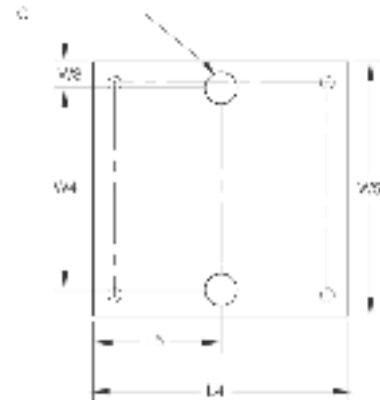
- Four, six or eight Translink mounting assemblies with NTEP Certified RL75040 or RL75223 welded-seal load cells
- One JB8SP NEMA Type 4X signal-trim junction box with individual and section trimming capability (six- and eight-mount kits) or one JB4SP NEMA Type 4X signal-trim junction box (four-mount kits)
- One UJB3T6 DC transient protector
- 100 ft of hostile environment EL147HE SURVIVOR® load cell cable

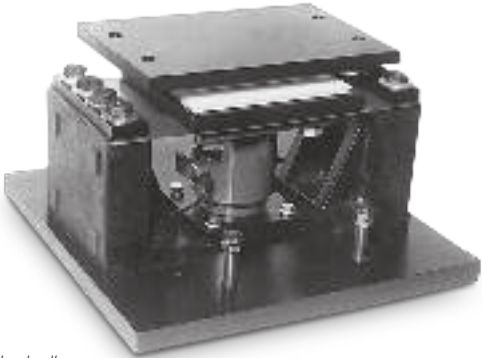
Standard Features

- Capacity (per module): 25,000 to 100,000 lb
- Cost and time efficient installation; no need to remove weighbridge
- Converts existing scale capacities of 40,000 to 300,000 lb
- Four, six or eight-mount kits for two, three or four section conversions
- Translink™ heavy-capacity mounting assemblies
- Free movement in all directions in the horizontal plane with virtually no friction
- Completely self-centering
- Requires no check rods
- Compatible with VPG® Sensortronics® 65040A or VPG® Revere 5223 load cells

Applications

- Updating existing mechanical motor truck scales
- Replacing unsatisfactory electronic motor truck scales
- Conversion of heavy-capacity scales into fully electronic vehicle scales where the existing scale cannot be removed





Mount only; does not include load cell.
Picture is a representation of actual product.

Standard Features

- Capacities (per module): 50,000 lb, 100,000 lb and 200,000 lb
- Protects load cell from shock and side loads
- Low-profile design
- High-strength load bearing plate made of highgrade carbon steel hardened to Rockwell C 48-54
- PTFE coated shock absorbing pads
- Compatible with VPG® Revere CP and Rice Lake Weighing Systems RLCSP1 NTEP Certified load cells

Applications

- Truck scale mount*
- Heavy-capacity horizontal tanks*
- Railroad track mount*

*Check rods required

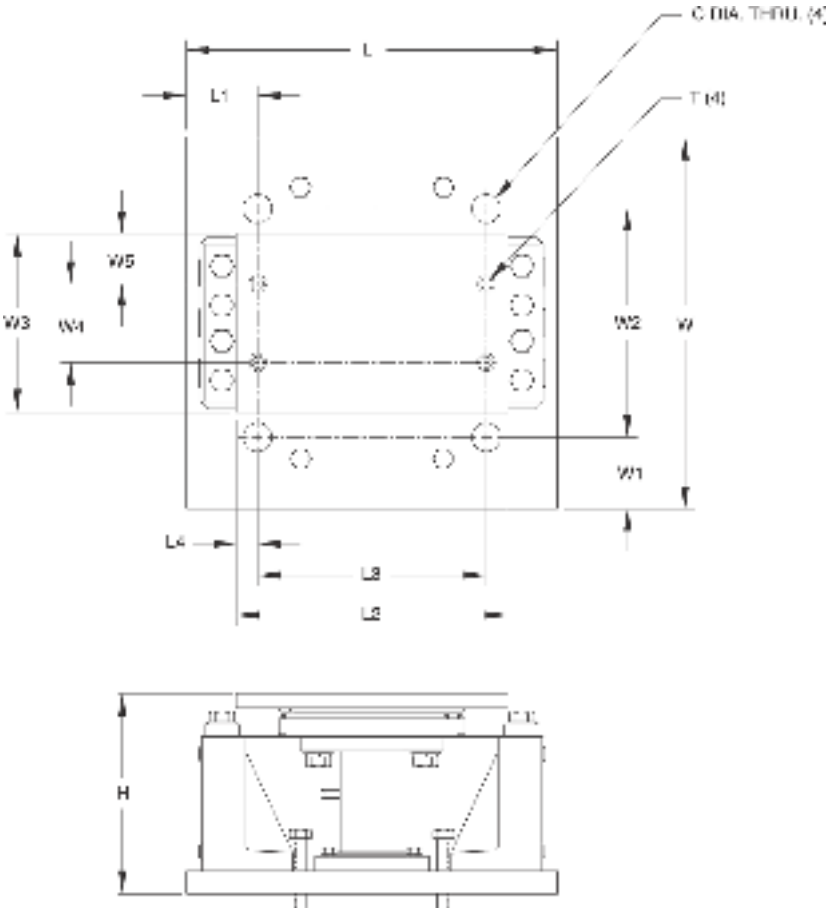
Order Information

| Load Rating (Per Module) | Part # | Price |
|--------------------------|--------|------------|
| 50,000 lb | 21723 | \$2,225.00 |
| 100,000 lb | 21724 | \$2,650.00 |
| 200,000 lb | 17974 | \$4,595.00 |

Mount only; does not include load cell

Dimensions

| Rated Capacity | C | H | L | L1 | L2 | L3 | L4 | T | W | W1 | W2 | W3 | W4 | W5 |
|----------------|------|-------|-------|------|-------|-------|------|------------|-------|------|-------|-------|------|------|
| 50,000 | 1.25 | 7.39 | 13.00 | 1.75 | 11.25 | 8.50 | 1.37 | 3/4-10 UNC | 12.00 | 1.75 | 8.50 | 8.00 | 4.50 | 1.75 |
| 100,000 | 1.50 | 11.29 | 20.00 | 2.25 | 18.00 | 15.50 | 1.25 | 7/8-9 UNC | 17.00 | 2.50 | 12.00 | 9.00 | 5.50 | 1.75 |
| 200,000 | 2.00 | 14.10 | 26.00 | 5.00 | 19.00 | 16.00 | 1.50 | 1-8 UNC | 26.00 | 5.00 | 16.00 | 12.50 | 5.50 | 3.50 |



Mettler Toledo® DigiTOL® Retrofit Kit

Stainless Steel, Rice Lake Weighing Systems/Flintec

LOAD CELLS /
WEIGH MODULES

RC1 Load Cells



Shown here with the JB8SP signal trim junction box.
Picture is a representation of actual product.

Load Cell Approvals



DigiTOL Retrofit Order information

| Description | Part # | Price |
|---|---------------|-------------|
| 8 mount kit, RC1-25 t (250kN) load cells, JB8SP junction box | 78713 | \$9,485.00 |
| 8 mount kit, RC1-25 t (250 kN) load cells, JB8SPT junction box | 224897 | \$9,895.00 |
| 10 mount kit, RC1-25t (250 kN) load cells, two JB8SP junction boxes | 78714 | \$11,535.00 |
| 10 mount kit RC1-25 t (250 kN) load cells, JB8SPT junction box | 224898 | \$12,225.00 |
| 12 mount kit, RC1-25 t (250kN) load cells, JB8SP junction box | 152774 | \$14,225.00 |
| 12 mount kit RC1-25 t (250 kN) load cells, JB8SPT junction box | 224899 | \$14,900.00 |

Complete Kit Includes

- Eight, ten or twelve Flintec® NTEP Certified stainless steel, hermetically sealed rocker column load cells
- Upper and lower cups
- Grounding straps
- NEMA Type 4X signal trim junction boxes with transient protection
- 100 ft of hostile environment EL147HE SURVIVOR® load cell cable

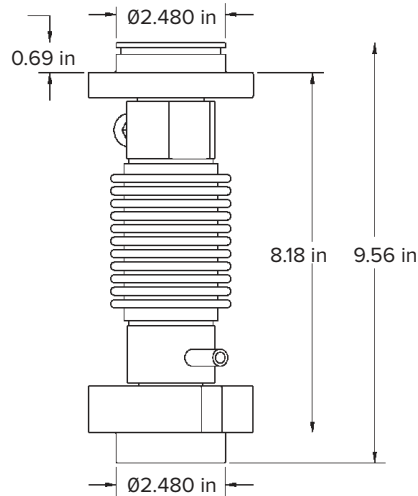
Standard Features

- Load cells are NTEP Certified 1:10,000 divisions, Class IIII*
- Converts existing Mettler Toledo DigiTOL scale to an analog based load cell weighing system
- One-year limited warranty

*Consult your local Weights & Measures Authorities for local Legal for Trade requirements

Applications

- Mettler Toledo DigiTOL truck scale conversion



RC1-25 t

Mettler Toledo® DigiTOL® Retrofit Kit

Stainless Steel, Rice Lake Weighing Systems/Flintec

LOAD CELLS /
WEIGH MODULES

RC3 Load Cells



Shown here with the JB8SP signal trim junction box
Picture is a representation of actual product

Load Cell Approvals



Complete Kit Includes

- Eight, ten or twelve Flintec® NTEP Certified stainless steel, hermetically sealed rocker column load cells
- Upper and lowers cups
- Grounding straps
- NEMA Type 4X signal trim junction boxes with transient protection
- 100 ft of hostile environment EL147HE SURVIVOR® load cell cable

Standard Features

- Load cells are NTEP Certified 1:10,000 divisions, Class III*
- Converts existing Mettler Toledo DigiTOL scale to an analog based load cell weighing system
- One-year limited warranty

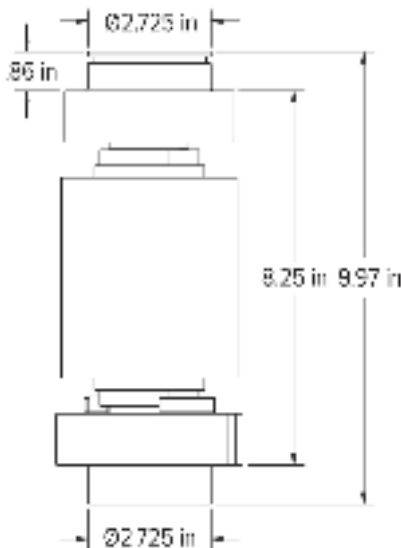
*Consult your local Weights & Measures Authorities for local Legal for Trade requirements

Applications

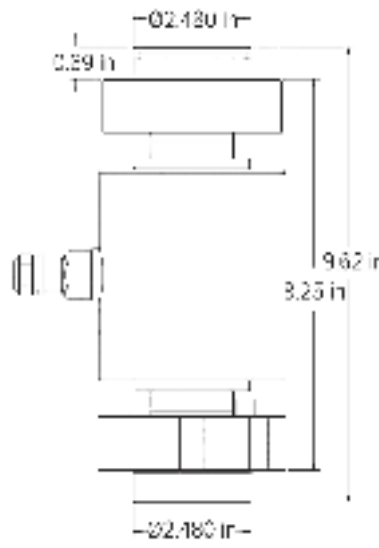
- Mettler Toledo DigiTOL truck scale conversion

DigiTOL Retrofit Order information

| Description | Part # | Price |
|---|---------------|-------------|
| 8 mount kit RC3-50 t load cells, two EL304A junction boxes (truck/truck combo) | 129844 | \$12,995.00 |
| 8 mount kit RC3-50 t load cells, two EL304A junction boxes (truck only) | 154347 | \$12,995.00 |
| 8 mount kit RC3-50 t load cells, one JB8SPT junction boxes (truck/truck combo) | 224900 | \$13,200.00 |
| 8 mount kit RC3-50 t load cells, one JB8SPT junction boxes (truck only) | 224901 | \$13,200.00 |
| 10 mount kit RC3-50 t load cells, two JB8SPT junction boxes (truck/truck combo) | 111367 | \$16,100.00 |
| 10 mount kit RC3-50 t load cells, three EL304A junction boxes (truck only) | 154348 | \$16,100.00 |
| 10 mount kit RC3-50 t load cells, two JB8SPT junction boxes (truck/truck combo) | 224902 | \$16,750.00 |
| 10 mount kit RC3-50 t load cells, two JB8SPT junction boxes (truck only) | 224903 | \$16,750.00 |
| 12 mount kit RC3-50 t load cells, three EL304A junction boxes (truck only) | 154349 | \$19,295.00 |
| 12 mount kit RC3-50 t load cells, two JB8SPT junction boxes (truck only) | 224904 | \$19,900.00 |



RC3-50 t
TRACK



RC3-50 t
TRUCK

Rice Lake Analog Retrofit Kit

Stainless Steel, Analog Load Cells for B-Tek Digital Conversion to Analog

LOAD CELLS /
WEIGH MODULES

RL82021-40t Load Cells



Shown here with the EL304A signal trim junction box. Picture is a representation of actual product.



Load Cell Approvals

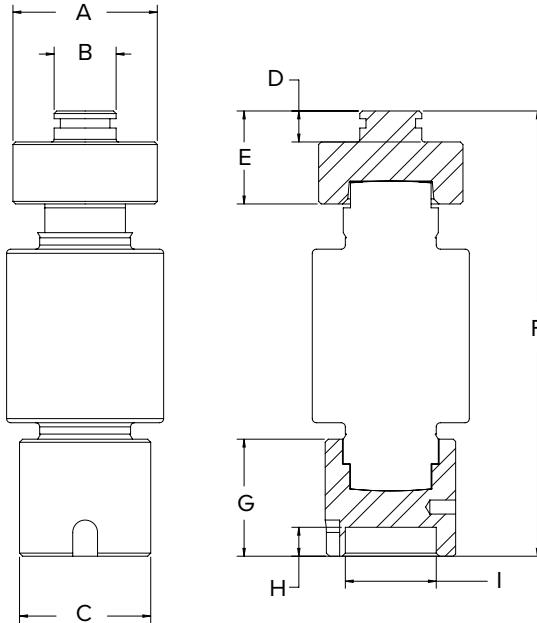


Digital Retrofit Order information

| Description | Part # | Price |
|---|---------------|------------|
| 8 mount kit RL82021-40 t load cells, two EL304A junction boxes | 216423 | \$7,795.00 |
| 10 mount kit RL82021-40 t load cells, three EL304A junction boxes | 216424 | \$9,875.00 |

Dimensions

| Analog Load Cells | |
|-------------------|------------------|
| A | Ø2.75 in (70 mm) |
| B | Ø1.18 in (30 mm) |
| C | Ø2.50 in (64 mm) |
| D | 0.59 in (15 mm) |
| E | 1.77 in (45 mm) |
| F | 8.48 in (215 mm) |
| G | 2.23 in (57 mm) |
| H | 0.55 in (14 mm) |
| I | Ø1.73 in (44 mm) |



Complete Kit Includes

- Eight or ten Rice Lake NTEP Certified stainless steel, hermetically sealed, rocker column load cells
- Upper and lower cups
- Grounding Straps
- NEMA Type 4X signal trim junction boxes with transient protection
- 100 ft of hostile environment EL147HE SURVIVOR® load cell cable

Standard Features

- Load cells are NTEP Certified 1:10,000 divisions, Class III^L
- Converts B-TEK digital CPD-M scales to analog
- Load cells have built-in surge protection and rated to IP69K
- Stainless steel overbraided cable
- Two-year limited warranty

**Consult your local Weights & Measures Authorities for local Legal for Trade requirements*

Applications

- B-TEK digital truck scale conversion

Electronic Floor Scale Underdeck Kits



Underdeck kits are provided to meet the application needs of the electronic floor scale producer and are an easy source for rebuilding existing floor scales. Underdeck kits are provided with mounting plates and load cell bolts for easy installation.

Economical Kit

| Kit Includes |
|---|
| (4) VPG® Celtron SQB alloy steel NTEP Certified 5,000 d, Class III load cells |
| (1) JB4SS stainless steel NEMA Type 4X junction box |
| (4) SureFoot® high-accuracy stainless steel support feet |
| 20 ft EL147HE load cell cable |
| (4) mounting plates and (8) load cell bolts |

Order Information

| Scale Base Capacity | Part # | Price |
|-----------------------------|--------------|----------|
| 1,000 lb for 2,000 lb base | 26436 | \$980.00 |
| 2,500 lb for 5,000 lb base | 26437 | \$980.00 |
| 4,000 lb for 10,000 lb base | 26438 | \$980.00 |

Chemical, Dry Corrosive & Non-Washdown Applications Kit

| Kit Includes |
|---|
| (4) VPG® Celtron SQB-HSS stainless steel NTEP Certified 5,000 d, Class III load cells |
| (1) JB4SS stainless steel NEMA Type 4X junction box |
| (4) SureFoot® high-accuracy stainless steel support feet |
| 20 ft EL147HE load cell cable |
| (4) mounting plates and (8) load cell bolts |

Order Information

| Scale Base Capacity | Part # | Price |
|-----------------------------|--------------|------------|
| 1,000 lb for 2,000 lb base | 19035 | \$1,378.00 |
| 2,500 lb for 5,000 lb base | 19036 | \$1,378.00 |
| 4,000 lb for 10,000 lb base | 19037 | \$1,378.00 |



Standard Precision Applications Kit

| Kit Includes |
|--|
| (4) Rice Lake RL32018 alloy steel NTEP Certified 5,000 d, Class III load cells |
| (1) JB4SS stainless steel NEMA Type 4X junction box |
| (4) SureFoot high-accuracy stainless steel support feet |
| 20 ft EL147HE load cell cable |
| (4) mounting plates and (8) load cell bolts |

NOTES: The use of NTEP Certified load cells in a scale base does not constitute approval of the completed base. Consult with local or state jurisdiction for compliance requirements.

Order Information

| Scale Base Capacity | Part # | Price |
|-----------------------------|--------------|------------|
| 1,000 lb for 2,000 lb base | 19032 | \$1,060.00 |
| 2,500 lb for 5,000 lb base | 19033 | \$1,060.00 |
| 4,000 lb for 10,000 lb base | 19034 | \$1,060.00 |

Wet Applications Kit

| Kit Includes |
|--|
| (4) Rice Lake RL32018S-HE welded-seal stainless steel NTEP Certified 5,000 d, Class III load cells |
| (1) JB4SS stainless steel NEMA Type 4X junction box |
| (4) SureFoot® high-accuracy stainless steel support feet |
| 20 ft EL147HE load cell cable |
| (4) mounting plates and (8) load cell bolts |

Order Information

| Scale Base Capacity | Part # | Price |
|-----------------------------|--------------|------------|
| 1,000 lb for 2,000 lb base | 19038 | \$1,706.00 |
| 2,500 lb for 5,000 lb base | 19039 | \$1,706.00 |
| 4,000 lb for 10,000 lb base | 19040 | \$1,706.00 |

RL20000I

Alloy Steel, Environmentally Sealed, NTEP Certified 1:5,000 III/1:10,000 IIII, IP67

LOAD CELLS /
WEIGH MODULES



Picture is a representation of actual product.

Approvals



Order Information

| Load Rating | Part # | Est. Weight | Price |
|--|--------|-------------|----------|
| 25 lb | 21428 | 2 lb | \$290.00 |
| 50 lb | 21429 | 2 lb | \$290.00 |
| 75 lb | 21430 | 2 lb | \$290.00 |
| 100 lb | 21431 | 2 lb | \$290.00 |
| 150 lb | 21432 | 2 lb | \$290.00 |
| 200 lb | 21433 | 2 lb | \$290.00 |
| 250 lb | 21434 | 2 lb | \$290.00 |
| 300 lb | 21435 | 2 lb | \$290.00 |
| 500 lb | 21436 | 2 lb | \$290.00 |
| 750 lb | 21437 | 2 lb | \$290.00 |
| 1,000 lb | 21438 | 2 lb | \$290.00 |
| 1,500 lb | 21439 | 2 lb | \$290.00 |
| 2,000 lb*** | 21356 | 2 lb | \$358.00 |
| 2,000 lb | 21440 | 2 lb | \$290.00 |
| 2,500 lb | 21441 | 2 lb | \$290.00 |
| 3,000 lb | 21442 | 4 lb | \$334.00 |
| 5,000 lb*** | 17044 | 4 lb | \$505.00 |
| 5,000 lb | 21443 | 4 lb | \$466.00 |
| 10,000 lb | 21444 | 4 lb | \$466.00 |
| 15,000 lb | 21445 | 7 lb | \$588.00 |
| 20,000 lb*** | 17045 | 17 lb | \$993.00 |
| 20,000 lb | 21446 | 17 lb | \$927.00 |
| Conduit Adapter Kit* (must be factory installed to maintain warranty) | | | |
| 3/8-24 nipple | 31533* | 1 lb | \$37.00 |
| 3/8-24 to 1/4-18 NPT | 31534* | 1 lb | \$37.00 |
| Replacement Agriculture Scale Load Cell - 40 ft Cable | | | |
| 10,000 lb | 151746 | 5 lb | \$493.00 |

*PN 31533 and PN 31534 must be installed together to form the Conduit Adapter Kit

***These load cells have 30ft or 35ft of cable and trimmed outputs and are used in many batch plants

Dimensions

| Rated Capacity | A | B | C | D | E |
|-----------------|--------------|------|------|------|------|
| lb/in | | | | | |
| 25 to 300 | 1/4-28 UNF | 0.75 | 0.50 | 2.00 | 2.50 |
| 500 to 1,500 | 1/2-20 UNF | 1.00 | 0.75 | 2.00 | 2.50 |
| 2,000 to 2,500 | 1/2-20 UNF | 1.25 | 1.00 | 2.00 | 2.50 |
| 3,000 | 1/2-20 UNF | 1.25 | 1.00 | 3.00 | 4.00 |
| 5,000 to 10,000 | 3/4-16 UNF | 1.25 | 1.00 | 3.00 | 4.00 |
| 15,000 | 1-12 UNF | 1.50 | 1.25 | 4.00 | 5.50 |
| 20,000 | 1 1/4-12 UNF | 2.25 | 2.00 | 5.00 | 7.00 |

Interchangeable Products

ARTECH®

20210 (1-14 UNF) (15,000 lb thread is 1-12 UNF for Rice Lake model)

Weigh Module Available

RICE LAKE WEIGHING SYSTEMS
ITCM Isolated Tension Cell Mount

Specifications

Full Scale Output:

3.0 mV/V

Output Resistance:

350 (± 3) ohm

Input Resistance:

385 (± 5) ohm

Material/Finish:

High-alloy steel, nickel plated

Temperature:

Compensated: 14 °F to 104 °F (-10 °C to 40 °C)

Operating: 0 °F to 150 °F (-18 °C to 65 °C)

Seal Type:

Environmentally sealed, IP67

Safe Overload:

150% full scale

Rated Excitation:

5 to 10 VDC (15 V maximum)

Combined Error:

0.02% full scale

Insulation Resistance:

5,000 megohm

Cable Length:

20 ft

30 ft (pn 17044 and 17045)

35 ft (pn 21356)

Cable Diameter:

0.200 in

Polyurethane jacket

Cable Color Code:

Red +Excitation

Black -Excitation

Green +Signal

White -Signal

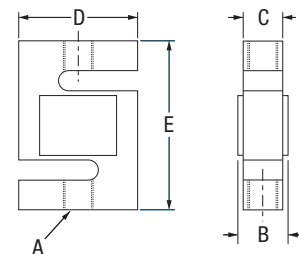
Warranty:

Two-year limited

Approvals:

NTEP 90-158

cFMus





Picture is a representation of actual product.

Approvals



Order Information

| Load Rating | Part # | Est. Weight | Price |
|--|--------|-------------|----------|
| NTEP Certified | | | |
| 100 lb | 46511 | 2 lb | \$312.00 |
| 250 lb | 46503 | 2 lb | \$312.00 |
| 300 lb | 181826 | 2 lb | \$312.00 |
| 500 lb | 46504 | 2 lb | \$312.00 |
| 750 lb | 46505 | 2 lb | \$312.00 |
| 1,000 lb | 46506 | 2 lb | \$312.00 |
| 2,500 lb | 46507 | 2 lb | \$312.00 |
| 3,000 lb | 46508 | 4 lb | \$345.00 |
| 5,000 lb | 46509 | 4 lb | \$503.00 |
| 10,000 lb | 46510 | 4 lb | \$525.00 |
| Non-NTEP Certified | | | |
| 50 lb | 17013 | 2 lb | \$312.00 |
| 15,000 lb | 158375 | 7 lb | \$715.00 |
| 20,000 lb | 158376 | 13 lb | \$948.00 |
| Conduit Adapter Kit* (must be factory installed to maintain warranty) | | | |
| 3/8-24 nipple | 31533* | 1 lb | \$37.00 |
| 3/8-24 to 1/4-18 NPT | 31534* | 1 lb | \$37.00 |

* PN 31533 and PN 31534 must be installed together to form the Conduit Adapter Kit

Dimensions

| Rated Capacity | A | B | C | D | E |
|-----------------|--------------|------|------|------|------|
| 50 to 300 lb/in | 1/4-28 UNF | 0.65 | 0.46 | 2.00 | 2.40 |
| 500 to 1,000 | 1/2-20 UNF | 0.90 | 0.71 | 2.00 | 2.40 |
| 2,500 | 1/2-20 UNF | 1.15 | 0.96 | 2.00 | 2.40 |
| 3,000 | 1/2-20 UNF | 1.15 | 0.96 | 3.00 | 3.90 |
| 5,000 | 3/4-16 UNF | 1.15 | 0.96 | 3.00 | 3.90 |
| 10,000 | 3/4-16 UNF | 1.40 | 1.21 | 3.00 | 3.90 |
| 15,000 | 1-14 UNS | 1.63 | 1.46 | 3.44 | 5.50 |
| 20,000 | 1 1/4-12 UNF | 1.88 | 1.68 | 4.44 | 7.00 |

Interchangeable Products

VPG® REVERE
9363
ARTECH®
20210

Weigh Module Available

RICE LAKE WEIGHING SYSTEMS
ITCM Isolated
Tension Cell Mount

Specifications

Full Scale Output:

3.0 (± 0.008) mV/V

Output Resistance:

350 (± 3.5) ohm

Input Resistance:

390 (± 15) ohm

Material/Finish:

Stainless steel

Temperature:

Compensated:

14 °F to 104 °F (-10 °C to 40 °C)

Operating:

0 °F to 150 °F (-18 °C to 65 °C)

Seal Type:

Environmentally sealed, IP67

Safe Overload:

150% full scale

Rated Excitation:

5 to 10 VDC (15 V maximum)

Combined Error:

0.03% full scale

Insulation Resistance:

5,000 megohm

Cable Length:

20 ft

Cable Color Code:

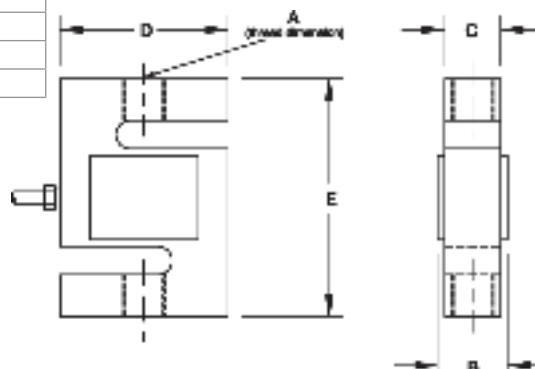
Red +Excitation
Black -Excitation
Green +Signal
White -Signal

Warranty:

Two-year limited

Approvals:

NTEP 98-078
cFMus



RL2000ST

Stainless Steel, Environmentally Sealed, NTEP Certified 1:10,000 Class III Single Cell, IP67



Picture is a representation of actual product.

Approvals



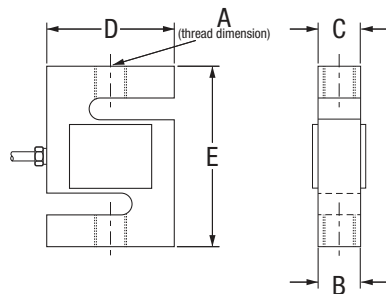
Order Information

| Load Rating | Part # | Est. Weight | Price |
|--|--------|-------------|----------|
| 50 lb | 72741 | 2 lb | \$334.00 |
| 100 lb | 72742 | 2 lb | \$334.00 |
| 200 lb | 72743 | 2 lb | \$334.00 |
| 250 lb | 72744 | 2 lb | \$334.00 |
| 300 lb | 72745 | 2 lb | \$334.00 |
| 500 lb | 72746 | 2 lb | \$334.00 |
| 750 lb | 72747 | 2 lb | \$334.00 |
| 1,000 lb | 72748 | 2 lb | \$334.00 |
| 1,500 lb | 72749 | 2 lb | \$334.00 |
| 2,000 lb | 72750 | 2 lb | \$334.00 |
| 2,500 lb | 72751 | 2 lb | \$334.00 |
| 3,000 lb | 72752 | 4 lb | \$440.00 |
| 5,000 lb | 72753 | 4 lb | \$545.00 |
| Conduit Adapter Kit* (must be factory installed to maintain warranty) | | | |
| 3/8-24 nipple | 31533* | 1 lb | \$37.00 |
| 3/8-24 to 1/4-18 NPT | 31534* | 1 lb | \$37.00 |

*PN 31533 and PN 31534 must be installed together to form the Conduit Adapter Kit.

Dimensions

| Rated Capacity | A | B | C | D | E |
|----------------|------------|------|------|------|------|
| lb/in | | | | | |
| 50 to 300 | 1/4-28 UNF | 0.65 | 0.46 | 2.00 | 2.40 |
| 500 to 1,000 | 1/2-20 UNF | 0.90 | 0.71 | 2.00 | 2.40 |
| 1,500 to 2,500 | 1/2-20 UNF | 1.15 | 0.96 | 2.00 | 2.40 |
| 3,000 | 1/2-20 UNF | 1.15 | 0.96 | 3.00 | 3.90 |
| 5,000 | 3/4-16 UNF | 1.15 | 0.96 | 3.00 | 3.90 |



Specifications

Full Scale Output:

3.0 mV/V

Output Resistance:

350 (± 3.5) ohm

Input Resistance:

430 (± 60) ohm

Material/Finish:

Stainless steel

Temperature:

Compensated:

14 °F to 104 °F (-10 °C to 40 °C)

Operating:

0 °F to 150 °F (-18 °C to 65 °C)

Seal Type:

Environmentally sealed, IP67

Safe Overload:

150% full scale

Rated Excitation:

5 to 10 VDC (15 V maximum)

Combined Error:

0.03% full scale

Insulation Resistance:

5,000 megohm

Cable Length:

20 ft

Cable Diameter:

0.190 in

Polyurethane jacket

Cable Color Code:

Red +Excitation

Black -Excitation

Green +Signal

White -Signal

Warranty:

Two-year limited

Approvals:

NTEP 03-007

FM



Picture is a representation of actual product.

Approvals



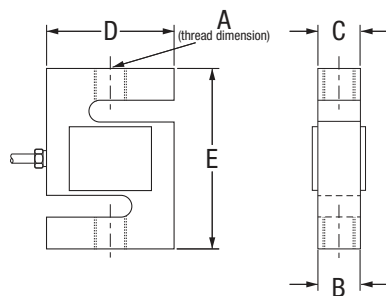
Order Information

| Load Rating | Part # | Est. Weight | Price |
|--|--------|-------------|----------|
| 250 lb | 21402 | 2 lb | \$290.00 |
| 500 lb | 21403 | 2 lb | \$290.00 |
| 750 lb | 21404 | 2 lb | \$290.00 |
| 1,000 lb | 21405 | 2 lb | \$290.00 |
| 1,500 lb | 21406 | 2 lb | \$290.00 |
| 2,000 lb | 21407 | 3 lb | \$290.00 |
| 2,500 lb | 21408 | 4 lb | \$290.00 |
| 3,000 lb | 21409 | 3 lb | \$334.00 |
| 5,000 lb | 21410 | 4 lb | \$466.00 |
| 10,000 lb | 21411 | 5 lb | \$466.00 |
| 15,000 lb | 21412 | 7 lb | \$588.00 |
| 20,000 lb | 21413 | 16 lb | \$927.00 |
| Conduit Adapter Kit* (must be factory installed to maintain warranty) | | | |
| 3/8-24 nipple | 31533* | 1 lb | \$37.00 |
| 3/8-24 to 1/4-18 NPT | 31534* | 1 lb | \$37.00 |

*PN 31533 and PN 31534 must be installed together to form the Conduit Adapter Kit

Dimensions

| Rated Capacity | A | B | C | D | E |
|----------------|--------------|------|------|------|------|
| lb/in | | | | | |
| 250 | 3/8-24 UNF | 0.75 | 0.50 | 2.00 | 3.00 |
| 500 to 2,000 | 1/2-20 UNF | 1.00 | 0.75 | 2.00 | 3.00 |
| 2,500 to 3,000 | 1/2-20 UNF | 1.25 | 1.00 | 2.00 | 3.00 |
| 5,000 | 3/4-16 UNF | 1.25 | 1.00 | 3.00 | 4.25 |
| 10,000 | 3/4-16 UNF | 1.25 | 1.00 | 3.50 | 4.75 |
| 15,000 | 1-14 UNS | 1.50 | 1.25 | 4.00 | 5.50 |
| 20,000 | 1 1/4-12 UNF | 2.25 | 2.00 | 5.00 | 7.00 |



Interchangeable Products

VPG® CELTRON®

STC

VPG® SENSORTRONICS®

60001

Weigh Module Available

RICE LAKE WEIGHING SYSTEMS

ITCM Isolated

Tension Cell Mount

Specifications

Full Scale Output:

3.0 mV/V

Output Resistance:

350 (± 3) ohm

Input Resistance:

385 (± 5) ohm

Material/Finish:

High-alloy steel, nickel plated

Temperature:

Compensated:
14 °F to 104 °F (-10 °C to 40 °C)

Operating:
0 °F to 150 °F (-18 °C to 65 °C)

Seal Type:

Environmentally sealed, IP67

Safe Overload:

150% full scale

Rated Excitation:

5 to 10 VAC (15 V maximum)

Combined Error:

0.02% full scale

Insulation Resistance:

5,000 megohm

Cable Length:

20 ft

Cable Diameter:

0.200 in

Polyurethane jacket

Cable Color Code:

Red +Excitation

Black -Excitation

Green +Signal

White -Signal

Warranty:

Two-year limited

Approvals:

cFMus

NTEP 91-046

RL20001HE

Stainless Steel, Welded Seal, NTEP Certified 1:5,000 Class III/1:10,000 Class IIII Single Cell, IP68



Picture is a representation of actual product.

Approvals

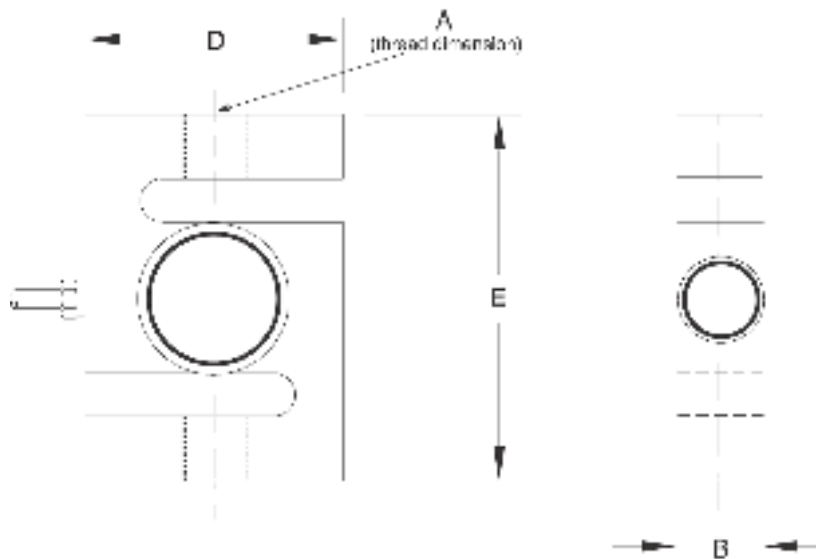


Order Information

| Load Rating | Part # | Est. Weight | Price |
|---------------------------|--------|-------------|------------|
| NTEP Certified | | | |
| 500 lb | 46469 | 2 lb | \$900.00 |
| 750 lb | 46470 | 2 lb | \$900.00 |
| 1,000 lb | 46471 | 2 lb | \$900.00 |
| 1,500 lb | 46472 | 2 lb | \$900.00 |
| 2,000 lb | 46473 | 2 lb | \$900.00 |
| 2,500 lb | 46474 | 2 lb | \$900.00 |
| 3,000 lb | 46475 | 2 lb | \$900.00 |
| 5,000 lb | 46476 | 5 lb | \$1,205.00 |
| Non-NTEP Certified | | | |
| 10,000 lb | 36292 | 5 lb | \$1,205.00 |

Dimensions

| Rated Capacity | A | B | D | E |
|-----------------|------------|------|------|------|
| lb/in | | | | |
| 500 to 3,000 | 1/2-20 UNF | 1.00 | 2.00 | 3.00 |
| 5,000 to 10,000 | 3/4-16 UNF | 1.00 | 3.50 | 4.75 |



Interchangeable Products

VPG® SENSORTRONICS®
60063

Weigh Module Available

RICE LAKE WEIGHING SYSTEMS
**ITCM HE Isolated
Tension Cell Mount**

Specifications

Full Scale Output:
2.0 mV/V**Bridge Resistance:**
350 ohm, nominal**Material/Finish:**
Stainless steel**Temperature:**
Compensated:
14 °F to 104 °F (-10 °C to 40 °C)
Operating:
0 °F to 150 °F (-18 °C to 65 °C)**Seal Type:**
Welded-seal, IP68**Safe Overload:**
150% full scale**Rated Excitation:**
5 to 10 VDC (15 V maximum)**Combined Error:**
0.02% full scale**Insulation Resistance:**
5,000 megohm**Cable Length:**
20 ft**Cable Diameter:**
0.200 in
Polyurethane jacket**Cable Color Code:**
Red +Excitation
Black -Excitation
Green +Signal
White -Signal**Warranty:**
Two-year limited**Approvals:**
cFMus
NTEP 98-071



Picture is a representation of actual product.

Approvals



Order Information

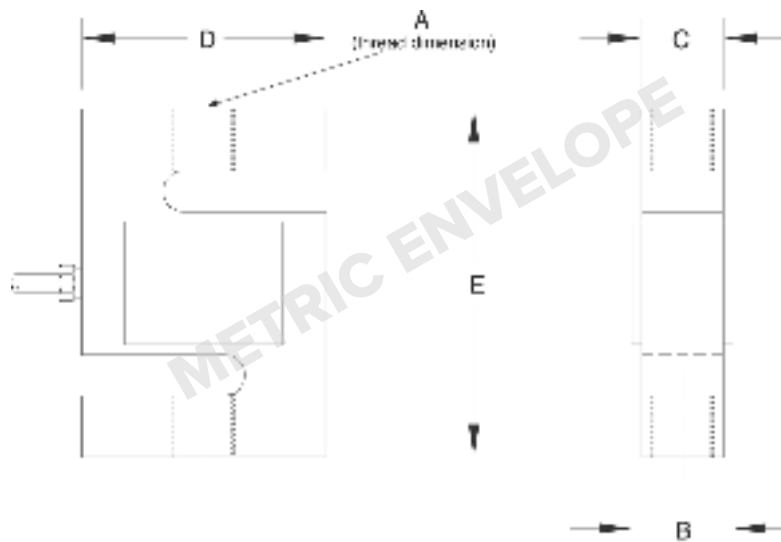
| Load Rating | Part # | Est. Weight | Price |
|-------------|--------|-------------|----------|
| 250 kg | 31254 | 2 lb | \$312.00 |
| 500 kg | 31255 | 2 lb | \$312.00 |
| 1,000 kg | 31256 | 2 lb | \$312.00 |
| 2,500 kg | 31257 | 3 lb | \$487.00 |

Dimensions

| Rated Capacity | A | B | C | D | E |
|----------------|---------------|------|------|------|-------|
| kg/mm | | | | | |
| 250 to 1,000 | M12 × 1.75-6H | 25.4 | 19.1 | 50.8 | 76.0 |
| 2,500 | M20 × 1.5-6H | 31.8 | 25.4 | 76.2 | 108.0 |

Specifications

- Full Scale Output:**
3.0 mV/V ± 0.25%
- Bridge Resistance:**
350 ohm, nominal
- Material/Finish:**
Alloy steel
- Temperature:**
Operating:
0 °F to 150 °F (-18 °C to 65 °C)
- Seal Type:**
Environmentally sealed, IP67
- Safe Overload:**
150% full scale
- Rated Excitation:**
5 to 10 VAC/DC (15V maximum)
- Combined Error:**
0.02% full scale
- Insulation Resistance:**
5,000 megohm
- Cable Length:**
6 m
- Cable Diameter:**
0.200 in
Polyurethane jacket
- Cable Color Code:**
Red +Excitation
Black -Excitation
Green +Signal
White -Signal
- Warranty:**
Two-year limited
- Approvals:**
cFMus
OIML R60/1991-GB-95-09



METRIC ENVELOPE

RL32022

Alloy Steel, Environmentally Sealed, OIML C3, IP67

LOAD CELLS /
WEIGH MODULES



Picture is a representation of actual product.

Approvals



Order Information

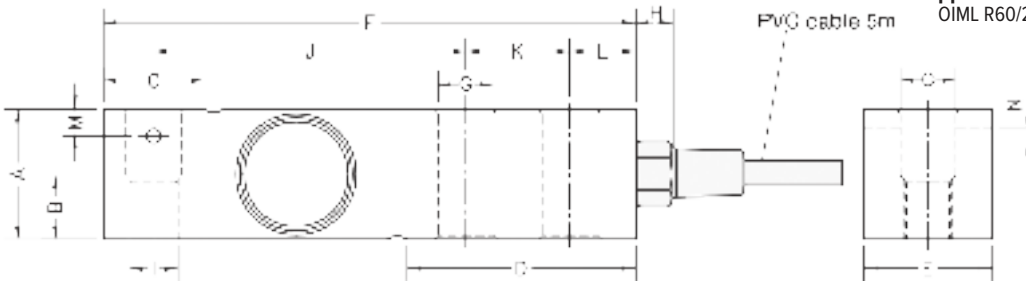
| Load Rating | Part # | Est. Weight | Price |
|-------------|--------|-------------|----------|
| 300 kg | 211630 | 0.9 kg | \$312.00 |
| 500 kg | 211631 | 0.9 kg | \$312.00 |
| 750 kg | 211632 | 0.9 kg | \$312.00 |
| 1,000 kg | 211633 | 0.9 kg | \$312.00 |
| 1,500 kg | 211634 | 0.9 kg | \$312.00 |
| 2,000 kg | 211635 | 0.9 kg | \$312.00 |

Dimensions

| Rated Capacity | A | B | C | D | E | F | G | H | I | J | K | L | M | N |
|----------------|------|------|------|------|------|-------|------|------|-----|------|------|------|-----|-----|
| kg/mm | | | | | | | | | | | | | | |
| 300 to 2,000 | 31.5 | 15.0 | 34.6 | 56.0 | 31.5 | 130.0 | 13.5 | 18.0 | M12 | 76.2 | 25.4 | 15.8 | 6.5 | 3.5 |

Specifications

- Full Scale Output:**
2.0 mV/V ± 0.05%
mV/V/ohm calibration
- Output Resistance:**
350 (± 3) ohm
- Input Resistance:**
400 (± 20) ohm
- Material/Finish:**
Alloy steel, nickel plated
- Temperature:**
Compensated:
-14 °F to 104 °F (-10 °C to 40 °C)
Operating:
0 °F to 150 °F (-18 °C to 65 °C)
- Seal Type:**
Environmentally sealed, IP67
- Safe Overload:**
150% full scale
- Safe Sideload:**
100% full scale
- Rated Excitation:**
10 VDC (15 V maximum)
- Combined Error:**
0.017% full scale
- Insulation Resistance:**
> 5,000 megohm
- Deflection at Capacity:**
0.2 to 0.4 mm
- Cable Length:**
5 m
- Cable Color Code:**
Green +Excitation
Black -Excitation
Red +Signal
White -Signal
- Warranty:**
Two-year limited
- Approvals:**
OIML R60/2017-A-NL1-22.11





Picture is a representation of actual product.

Approvals



Order Information

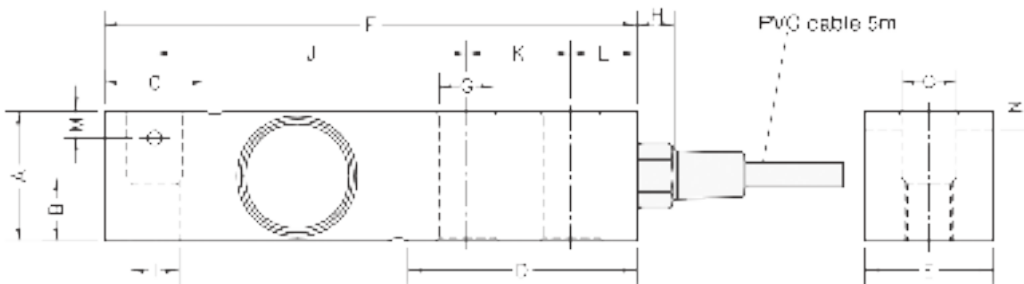
| Load Rating | Part # | Est. Weight | Price |
|-------------|--------|-------------|----------|
| 300 kg | 211636 | 0.9 kg | \$350.00 |
| 500 kg | 211637 | 0.9 kg | \$350.00 |
| 750 kg | 211638 | 0.9 kg | \$350.00 |
| 1,000 kg | 211639 | 0.9 kg | \$350.00 |
| 1,500 kg | 211640 | 0.9 kg | \$350.00 |
| 2,000 kg | 211641 | 0.9 kg | \$350.00 |
| 3,000 kg | 211642 | 2.2 kg | \$445.00 |
| 5,000 kg | 211643 | 2.2 kg | \$445.00 |

Dimensions

| Rated Capacity | A | B | C | D | E | F | G | H | I | J | K | L | M | N |
|----------------|------|------|------|------|------|-------|------|------|-----|------|------|------|-----|-----|
| kg/mm | | | | | | | | | | | | | | |
| 300 to 2,000 | 31.5 | 15.0 | 34.6 | 56.0 | 31.5 | 130.0 | 13.5 | 18.0 | M12 | 76.2 | 25.4 | 15.8 | 6.5 | 3.5 |
| 3,000 to 5,000 | 48.0 | - | 37.0 | 76.0 | 41.5 | 171.5 | 20.5 | 18.0 | - | 75.2 | 38.1 | 19.0 | - | - |

Specifications

- Full Scale Output:**
2.0 mV/V ± 0.05%
mV/V/ohm calibration
- Output Resistance:**
350 (± 3) ohm
- Input Resistance:**
400 (± 20) ohm
- Material/Finish:**
Stainless steel
- Temperature:**
Compensated:
-14 °F to 104 °F (-10 °C to 40 °C)
Operating:
0 °F to 150 °F (-18 °C to 65 °C)
- Seal Type:**
Hermetically sealed, IP69K
- Safe Overload:**
150% full scale
- Safe Sideload:**
100% full scale
- Rated Excitation:**
10 VDC (15 V maximum)
- Combined Error:**
0.017% full scale
- Insulation Resistance:**
> 5,000 megohm
- Deflection at Capacity:**
0.2 to 0.4 mm
- Cable Length:**
5 m
- Cable Color Code:**
Green +Excitation
Black -Excitation
Red +Signal
White -Signal
- Warranty:**
Two-year limited
- Approvals:**
OIML



RL32018

Alloy Steel, Environmentally Sealed, NTEP Certified 1:5,000 Class III Multiple Cell, IP66

LOAD CELLS /
WEIGH MODULES



Picture is a representation of actual product.

Approvals



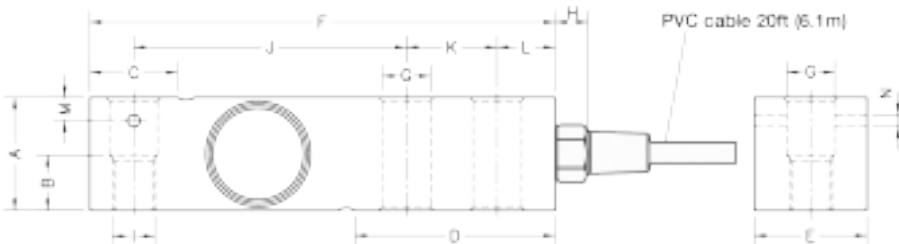
Order Information

| Load Rating | Part # | Est. Weight | Price |
|-------------------------------|--------|-------------|----------|
| NTEP Certified | | | |
| 500 lb | 189151 | 2 lb | \$312.00 |
| 1,000 lb | 189152 | 2 lb | \$312.00 |
| 1,500 lb | 191732 | 2 lb | \$312.00 |
| 2,000 lb | 189153 | 2 lb | \$312.00 |
| 2,500 lb | 189154 | 2 lb | \$312.00 |
| 3,000 lb | 189155 | 5 lb | \$312.00 |
| 4,000 lb | 189156 | 5 lb | \$312.00 |
| 5,000 lb SE | 189157 | 5 lb | \$312.00 |
| 5,000 lb LE | 189158 | 5 lb | \$398.00 |
| 10,000 lb | 189159 | 5 lb | \$398.00 |
| Non-NTEP Certified | | | |
| 250 lb | 189150 | 2 lb | \$312.00 |
| 15,000 lb* | 189160 | 10 lb | \$683.00 |
| 20,000 lb* | 189161 | 10 lb | \$683.00 |
| With Overbraided Cable | | | |
| 2,500 lb | 209166 | 10 lb | \$350.00 |
| 20,000 lb* | 197558 | 10 lb | \$768.00 |

SE=small envelope; LE=large envelope
* Pending NTEP

Dimensions

| Rated Capacity | A | B | C | D | E | F | G | H | I | J | K | L | M | N |
|--------------------|------|------|------|------|------|------|------|------|------------|------|------|------|------|------|
| lb/in | | | | | | | | | | | | | | |
| 250 to 500 | 1.00 | 0.59 | 0.96 | 2.20 | 1.24 | 5.12 | 0.53 | 0.70 | 1/2-20 UNF | 3.00 | 1.00 | 0.62 | 0.25 | 0.13 |
| 1,000 to 5,000 SE | 1.24 | 0.59 | 0.96 | 2.20 | 1.24 | 5.12 | 0.53 | 0.70 | 1/2-20 UNF | 3.00 | 1.00 | 0.62 | 0.25 | 0.13 |
| 5,000 LE to 10,000 | 1.50 | - | 1.45 | 2.99 | 1.50 | 6.75 | 0.80 | 0.70 | 3/4-16 UNF | 3.75 | 1.50 | 0.75 | - | - |
| 15,000 to 20,000 | 2.00 | - | - | 4.00 | 2.00 | 8.75 | 1.06 | - | 1-14 UNS | 4.90 | 2.00 | 1.00 | - | - |



Interchangeable Products

VPG® SENSORTRONICS®
65023A
VPG® CELTRON®
SQB

Weigh Module Available

RICE LAKE WEIGHING SYSTEMS
RL50210TA
RICE LAKE WEIGHING SYSTEMS
RL1800 Series

Specifications

- Full Scale Output:**
3.0 mV/V ± 0.05%
mV/V/ohm calibration
- Output Resistance:**
350 (± 3) ohm
- Input Resistance:**
400 (± 20) ohm
- Material/Finish:**
Alloy steel, nickel plated
- Temperature:**
Compensated:
-14 °F to 104 °F (-10 °C to 40 °C)
Operating:
0 °F to 150 °F (-18 °C to 65 °C)
- Seal Type:**
Environmentally sealed, IP66
- Safe Overload:**
150% full scale
- Safe Sideload:**
100% full scale
- Rated Excitation:**
10 VDC (15 V maximum)
- Combined Error:**
0.017% full scale
- Insulation Resistance:**
> 5,000 megohm
- Deflection at Capacity:**
0.2 to 0.4 mm
- Cable Length:**
20 ft
- Cable Color Code:**
Red +Excitation
Black -Excitation
Green +Signal
White -Signal
- Warranty:**
Two-year limited
- Approvals:**
NTEP 18-106
cFMus FM18US0307X

RL32018 MLC Coated

Alloy Steel, Environmentally Sealed, NTEP Certified 1:5,000 Class III Multiple Cell, IP66



Picture is a representation of actual product.

Approvals



Order Information

| Load Rating | Part # | Est. Weight | Price |
|---------------------------|--------|-------------|----------|
| NTEP Certified | | | |
| 1,000 lb | 207842 | 2 lb | \$344.00 |
| 1,500 lb | 207843 | 2 lb | \$344.00 |
| 2,000 lb | 207844 | 2 lb | \$344.00 |
| 2,500 lb | 207845 | 2 lb | \$344.00 |
| 3,000 lb | 207846 | 5 lb | \$344.00 |
| 4,000 lb | 207847 | 5 lb | \$344.00 |
| 5,000 lb SE | 207848 | 5 lb | \$344.00 |
| 5,000 lb LE | 207850 | 5 lb | \$434.00 |
| 10,000 lb | 207851 | 5 lb | \$434.00 |
| Non-NTEP Certified | | | |
| 15,000 lb | 207852 | 10 lb | \$715.00 |
| 20,000 lb | 207853 | 10 lb | \$715.00 |

SE=small envelope; LE=large envelope

Dimensions

| Rated Capacity | A | B | C | D | E | F | G | H | I | J | K | L | M | N |
|--------------------|------|------|------|------|------|------|------|------|------------|------|------|------|------|------|
| lb/in | | | | | | | | | | | | | | |
| 1,000 to 5,000 SE | 1.24 | 0.59 | 0.96 | 2.20 | 1.24 | 5.12 | 0.53 | 0.70 | 1/2-20 UNF | 3.00 | 1.00 | 0.62 | 0.25 | 0.13 |
| 5,000 LE to 10,000 | 1.50 | - | 1.45 | 2.99 | 1.50 | 6.75 | 0.80 | 0.70 | 3/4-16 UNF | 3.75 | 1.50 | 0.75 | - | - |
| 15,000 to 20,000 | 2.00 | - | - | 4.00 | 2.00 | 8.75 | 1.06 | - | 1-14 UNS | 4.90 | 2.00 | 1.00 | - | - |



Interchangeable Products

- VPG® SENSORTRONICS®
65023A
- VPG® CELTRON®
SQB

Weigh Module Available

- RICE LAKE WEIGHING SYSTEMS
RL50210TA
- RICE LAKE WEIGHING SYSTEMS
RL1800 Series

Specifications

- Full Scale Output:**
3.0 mV/V ± 0.05%
mV/V/ohm calibration
- Output Resistance:**
350 (± 3) ohm
- Input Resistance:**
400 (± 20) ohm
- Material/Finish:**
Alloy steel, nickel plated, coated
- Temperature:**
Compensated:
-14 °F to 104 °F (-10 °C to 40 °C)
Operating:
0 °F to 150 °F (-18 °C to 65 °C)
- Seal Type:**
Environmentally sealed, IP66
- Safe Overload:**
150% full scale
- Safe Sideload:**
100% full scale
- Rated Excitation:**
10 VDC (15 V maximum)
- Combined Error:**
0.017% full scale
- Insulation Resistance:**
> 5,000 megohm
- Deflection at Capacity:**
0.2 to 0.4 mm
- Cable Length:**
20 ft
- Cable Color Code:**
Red +Excitation
Black -Excitation
Green +Signal
White -Signal
- Warranty:**
Two-year limited
- Approvals:**
cFMus
NTEP 18-106

LOAD CELLS /
WEIGH MODULES

SINGLE-ENDED BEAM
RL32018S

Stainless Steel, Environmentally Sealed, NTEP Certified 1:5,000 Class III Multiple Cell, IP66

LOAD CELLS /
 WEIGH MODULES



Picture is a representation of actual product.

Approvals



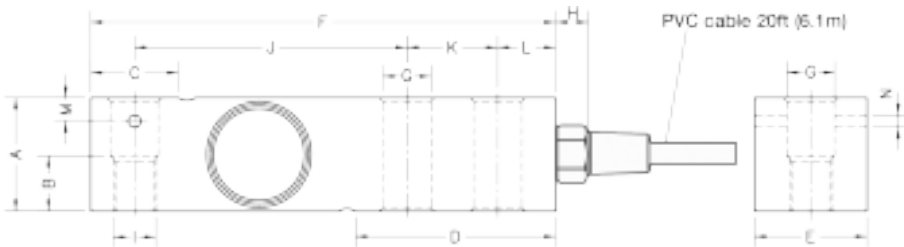
Order Information

| Load Rating | Part # | Est. Weight | Price |
|---------------------------|---------------|-------------|----------|
| NTEP Certified | | | |
| 500 lb | 189163 | 3 lb | \$344.00 |
| 1,000 lb | 189164 | 3 lb | \$344.00 |
| 2,000 lb | 189165 | 3 lb | \$344.00 |
| 2,500 lb | 189166 | 3 lb | \$344.00 |
| 4,000 lb | 189167 | 3 lb | \$344.00 |
| 5,000 lb SE | 189168 | 3 lb | \$344.00 |
| 5,000 lb LE | 189169 | 5 lb | \$440.00 |
| 10,000 lb | 189170 | 5 lb | \$440.00 |
| Non-NTEP Certified | | | |
| 250 lb | 189162 | 3 lb | \$344.00 |
| 15,000 lb* | 189171 | 10 lb | \$736.00 |
| 20,000 lb* | 189172 | 10 lb | \$736.00 |

SE=small envelope; LE=large envelope
 *Pending NTEP

Dimensions

| Rated Capacity | A | B | C | D | E | F | G | H | I | J | K | L | M | N |
|--------------------|------|------|------|------|------|------|------|------|------------|------|------|------|------|------|
| 250 to 500 | 1.00 | 0.59 | 0.96 | 2.20 | 1.24 | 5.12 | 0.53 | 0.70 | 1/2-20 UNF | 3.00 | 1.00 | 0.62 | 0.25 | 0.13 |
| 1,000 to 5,000 SE | 1.24 | 0.59 | 0.96 | 2.20 | 1.24 | 5.12 | 0.53 | 0.70 | 1/2-20 UNF | 3.00 | 1.00 | 0.62 | 0.25 | 0.13 |
| 5,000 LE to 10,000 | 1.50 | - | 1.45 | 2.99 | 1.50 | 6.75 | 0.80 | 0.70 | 3/4-16 UNF | 3.75 | 1.50 | 0.75 | - | - |
| 15,000 to 20,000 | 2.00 | - | - | 4.00 | 2.00 | 8.75 | 1.06 | - | 1-14 UNS | 4.90 | 2.00 | 1.00 | - | - |



Interchangeable Products

- RICE LAKE WEIGHING SYSTEMS
RL35023S
- VPG® SENSORTRONICS®
65023S
- VPG SENSORTRONICS
65023SS
- VPG® CELTRON®
SQB-HSS

Weigh Module Available

- RICE LAKE WEIGHING SYSTEMS
RL50210TA
- RICE LAKE WEIGHING SYSTEMS
RL1800 Series

Specifications

- Full Scale Output:**
 3.0 mV/V ± 0.05%
 mV/V/ohm calibration
- Output Resistance:**
 350 (± 3) ohm
- Input Resistance:**
 400 (± 20) ohm
- Material/Finish:**
 Stainless steel
- Temperature:**
 Compensated:
 14 °F to 104 °F (-10 °C to 40 °C)
 Operating range
 0 °F to 150 °F (-18 °C to 65 °C)
- Seal Type:**
 Environmentally sealed, IP66
- Safe Overload:**
 150% full scale
- Rated Excitation:**
 10 VDC (15 V maximum)
- Combined Error:**
 0.017% full scale
- Insulation Resistance:**
 > 5,000 megohm
- Deflection at Capacity:**
 0.2 to 0.4 mm
- Cable Length:**
 20 ft
- Cable Color Code:**
 Red +Excitation
 Black -Excitation
 Green +Signal
 White -Signal
- Warranty:**
 Two-year limited
- Approvals:**
 cFMus
 NTEP 18-106



Picture is a representation of actual product.

Approvals



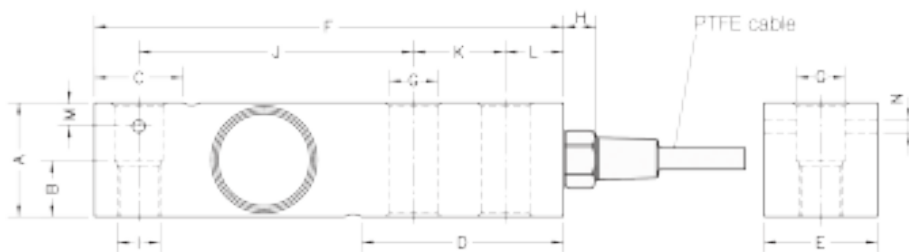
Order Information

| Load Rating | Part # | Est. Weight | Price |
|-------------|--------|-------------|----------|
| 1,000 lb | 190654 | 3 lb | \$371.00 |
| 2,000 lb | 190655 | 3 lb | \$371.00 |
| 2,500 lb | 190656 | 3 lb | \$371.00 |
| 4,000 lb | 190657 | 3 lb | \$371.00 |
| 5,000 lb SE | 190658 | 3 lb | \$371.00 |
| 5,000 lb LE | 190659 | 5 lb | \$418.00 |
| 10,000 lb | 190660 | 5 lb | \$418.00 |

SE=small envelope; LE=large envelope

Dimensions

| Rated Capacity | A | B | C | D | E | F | G | H | I | J | K | L | M | N |
|--------------------|------|------|------|------|------|------|------|------|------------|------|------|------|------|------|
| lb/in | | | | | | | | | | | | | | |
| 1,000 to 5,000 SE | 1.24 | 0.59 | 0.96 | 2.20 | 1.25 | 5.12 | 0.53 | 0.70 | 1/2-20 UNF | 3.00 | 1.00 | 0.62 | 0.25 | 0.13 |
| 5,000 LE to 10,000 | 1.50 | — | 1.45 | 2.99 | 1.50 | 6.75 | 0.80 | 0.70 | 3/4-16 UNF | 3.75 | 1.50 | 0.75 | — | — |



Interchangeable Products

- RICE LAKE WEIGHING SYSTEMS
RL32018S-HE
- VPG® SENSORTRONICS®
65083
- VPG® CELTRON®
SQB-HSS

Weigh Module Available

- RICE LAKE WEIGHING SYSTEMS
RL1800 Series

Specifications

- Full Scale Output:**
3.0 mV/V ± 0.05%
mV/V/ohm calibration
- Output Resistance:**
350 (± 3) ohm
- Input Resistance:**
400 (± 20) ohm
- Material/Finish:**
Stainless steel
- Temperature:**
Compensated:
-14 °F to 104 °F (-10 °C to 40 °C)
Operating:
0 °F to 150 °F (-18 °C to 65 °C)
- Seal Type:**
Hermetically sealed, IP69K
- Safe Overload:**
150% full scale
- Safe Sideload:**
100% full scale
- Rated Excitation:**
10 VDC (15 V maximum)
- Combined Error:**
0.017% full scale
- Insulation Resistance:**
> 5,000 megohm
- Deflection at Capacity:**
0.2 to 0.4 mm
- Cable Length:**
20 ft PTFE cable
- Cable Color Code:**
Red +Excitation
Black -Excitation
Green +Signal
White -Signal
- Warranty:**
Two-year limited
- Approvals:**
cFMus

RL32018S-HE

Stainless Steel, Hermetically Sealed, NTEP Certified 1:5,000 Class III Multiple Cell, IP69K

LOAD CELLS /
WEIGH MODULES



Picture is a representation of actual product.

Approvals



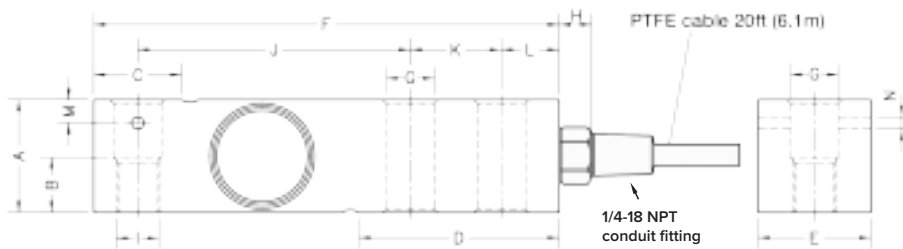
Order Information

| Load Rating | Part # | Est. Weight | Price |
|-------------|--------|-------------|----------|
| 500 lb | 189175 | 3 lb | \$429.00 |
| 1,000 lb | 189176 | 3 lb | \$429.00 |
| 2,000 lb | 189178 | 3 lb | \$429.00 |
| 2,500 lb | 189179 | 3 lb | \$429.00 |
| 4,000 lb | 189181 | 3 lb | \$429.00 |
| 5,000 lb SE | 208667 | 3 lb | \$429.00 |
| 5,000 lb LE | 189182 | 5 lb | \$477.00 |
| 10,000 lb | 189183 | 5 lb | \$477.00 |

SE=small envelope; LE=large envelope

Dimensions

| Rated Capacity | A | B | C | D | E | F | G | H | I | J | K | L | M | N |
|-----------------|------|------|------|------|------|------|------|------|------------|------|------|------|------|------|
| lb/in | | | | | | | | | | | | | | |
| 500 to 5,000 SE | 1.24 | 0.59 | 0.96 | 2.20 | 1.24 | 5.12 | 0.53 | 0.70 | 1/2-20 UNF | 3.00 | 1.00 | 0.62 | 0.25 | 0.13 |
| 5,000 to 10,000 | 1.50 | 0.75 | 1.45 | 2.99 | 1.50 | 6.75 | 0.80 | 0.70 | 3/4-16 UNF | 3.75 | 1.50 | 0.75 | - | - |



Interchangeable Products

RICE LAKE WEIGHING SYSTEMS
RL32018S-P (non-NTEP)
 VPG® SENSORTRONICS®
65083
 VPG® CELTRON®
SQB-HSS

Weigh Module Available

RICE LAKE WEIGHING SYSTEMS
RL1800 Series

Specifications

- Full Scale Output:**
3.0 mV/V ± 0.05%
mV/V/ohm calibration
- Output Resistance:**
350 (± 3) ohm
- Input Resistance:**
400 (± 20) ohm
- Material/Finish:**
Stainless steel
- Temperature:**
Compensated:
14 °F to 104 °F (-10 °C to 40 °C)
Operating:
0 °F to 200 °F (-18 °C to 93 °C)
- Seal Type:**
Hermetically sealed, IP69K
- Safe Overload:**
150% full scale
- Safe Sideload:**
100% full scale
- Rated Excitation:**
5 to 10 VDC (15 V maximum)
- Combined Error:**
0.017% full scale
- Insulation Resistance:**
> 5,000 megohm
- Cable Length:**
20 ft PTFE cable
- Cable Color Code:**
Red +Excitation
Black -Excitation
Green +Signal
White -Signal
- Warranty:**
Two-year limited
- Approvals:**
cFMus
NTEP 18-106

SINGLE-ENDED BEAM
RL32019S-HE

Stainless Steel, Hermetically Sealed, NTEP Certified 1:5,000 Class III Multiple Cell, IP69K



Picture is a representation of actual product.

Approvals



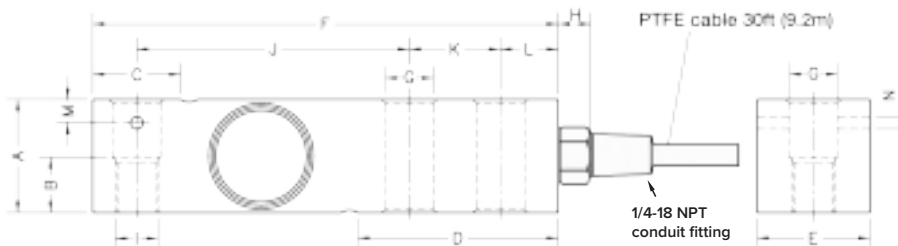
Order Information

| Load Rating | Part # | Est. Weight | Price |
|-------------|--------|-------------|----------|
| 1,000 lb | 191629 | 4 lb | \$482.00 |
| 2,500 lb | 191630 | 4 lb | \$482.00 |
| 4,000 lb | 191631 | 4 lb | \$482.00 |
| 5,000 lb SE | 208668 | 4 lb | \$482.00 |
| 5,000 lb LE | 191632 | 6 lb | \$535.00 |
| 10,000 lb | 191633 | 6 lb | \$535.00 |

SE=small envelope; LE=large envelope

Dimensions

| Rated Capacity lb/in | A | B | C | D | E | F | G | H | I | J | K | L | M | N |
|-------------------------|------|------|------|------|------|------|------|------|------------|------|------|------|------|------|
| 1,000 to 5,000 SE | 1.24 | 0.59 | 0.96 | 2.20 | 1.24 | 5.12 | 0.53 | 0.70 | 1/2-20 UNF | 3.00 | 1.00 | 0.62 | 0.25 | 0.13 |
| 5,000 LE to 10,000 | 1.50 | 0.75 | 1.45 | 2.99 | 1.50 | 6.75 | 0.80 | 0.70 | 3/4-16 UNF | 3.75 | 1.50 | 0.75 | — | — |



Interchangeable Products

RICE LAKE WEIGHING SYSTEMS
RL35082
 VPG® SENSORTRONICS®
65083S (20 ft cable)

Specifications

Full Scale Output:

2.0 mV/V ± 0.05%
 mV/V/ohm calibration

Output Resistance:

350 (± 3) ohm

Input Resistance:

400 (± 20) ohm

Material/Finish:

Stainless steel

Temperature:

Compensated:
 14 °F to 104 °F (-10 °C to 40 °C)
 Operating:
 0 °F to 200 °F (-18 °C to 93 °C)

Seal Type:

Hermetically sealed, IP69K

Safe Overload:

150% full scale

Rated Excitation:

5 to 10 VDC (15 V maximum)

Combined Error:

0.017% full scale

Insulation Resistance:

> 5,000 megohm

Deflection at Capacity:

0.2 to 0.4 mm

Cable Length:

30 ft PTFE cable

Cable Color Code:

Red +Excitation
 Black -Excitation
 Green +Signal
 White -Signal

Warranty:

Two-year limited

Approvals:

cFMus
 NTEP 18-106

LOAD CELLS /
 WEIGH MODULES

RL32218S-HE

Stainless Steel, Hermetically Sealed, NTEP Certified 1:5,000 Class III Multiple Cell, IP69K

LOAD CELLS / WEIGH MODULES



Picture is a representation of actual product.

Approvals



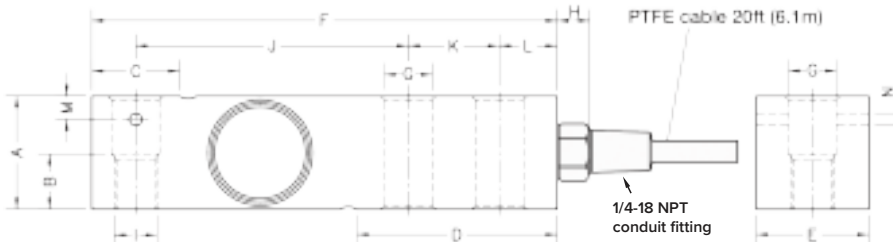
Order Information

| Load Rating | Part # | Est. Weight | Price |
|--|--------|-------------|----------|
| RL32218S-HE PTFE Cable | | | |
| 1,000 lb | 191634 | 3 lb | \$429.00 |
| 2,500 lb | 191635 | 3 lb | \$429.00 |
| 4,000 lb | 191636 | 3 lb | \$429.00 |
| 5,000 lb SE | 208669 | 3 lb | \$429.00 |
| 5,000 lb LE | 191637 | 5 lb | \$477.00 |
| 10,000 lb | 191638 | 5 lb | \$477.00 |
| RL32218S-HE Rodent Protection Cable | | | |
| 1,000 lb | 223599 | 3 lb | \$405.00 |
| 2,500 lb | 209620 | 3 lb | \$405.00 |
| 4,000 lb | 223600 | 3 lb | \$405.00 |
| 5,000 lb SE | 223601 | 3 lb | \$525.00 |

SE=small envelope; LE=large envelope

Dimensions

| Rated Capacity | A | B | C | D | E | F | G | H | I | J | K | L | M | N |
|--------------------|------|------|------|------|------|------|------|------|------------|------|------|------|------|------|
| 1,000 to 5,000 SE | 1.24 | 0.59 | 0.96 | 2.20 | 1.24 | 5.12 | 0.53 | 0.70 | 1/2-20 UNF | 3.00 | 1.00 | 0.62 | 0.25 | 0.13 |
| 5,000 LE to 10,000 | 1.50 | 0.75 | 1.45 | 2.99 | 1.50 | 6.75 | 0.80 | 0.70 | 3/4-16 UNF | 3.75 | 1.50 | 0.75 | - | - |



Interchangeable Products

RICE LAKE WEIGHING SYSTEMS

RL35082

RICE LAKE WEIGHING SYSTEMS

RL32019S-HE

VPG® SENSORTRONICS®

65083S

Weigh Module Available

RICE LAKE WEIGHING SYSTEMS

RL50210TA

RICE LAKE WEIGHING SYSTEMS

RL1800 Series

Specifications

Full Scale Output:

2.0 mV/V ± 0.05%
mV/V/ohm calibration

Output Resistance:

350 (± 3) ohm

Input Resistance:

400 (± 20) ohm

Material/Finish:

Stainless steel

Temperature:

Compensated:
14 °F to 104 °F (-10 °C to 40 °C)

Operating:
0 °F to 200 °F (-18 °C to 93 °C)

Seal Type:

Hermetically sealed, IP69K

Safe Overload:

150% full scale

Rated Excitation:

5 to 10 VDC (15 V maximum)

Combined Error:

0.017% full scale

Insulation Resistance:

> 5,000 megohm

Cable Length:

20 ft PTFE cable
30 ft RP

Cable Color Code:

Red +Excitation
Black -Excitation
Green +Signal
White -Signal

Warranty:

Two-year limited

Approvals:

cFMus
NTEP 18-106



Picture is a representation of actual product.

Approvals

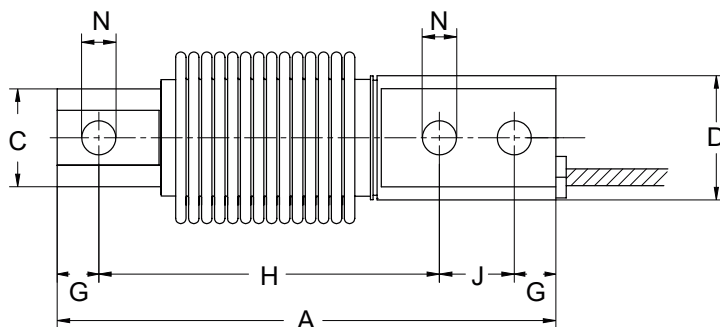
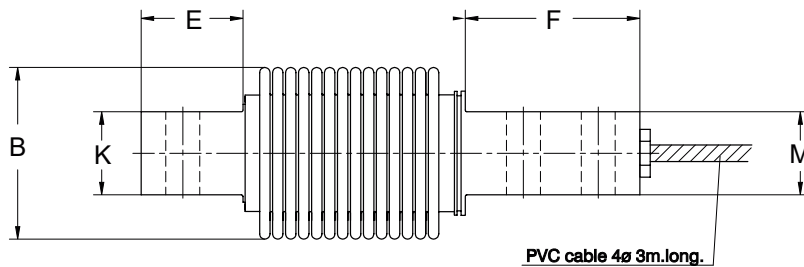


Order Information

| Load Rating | Part # | Est. Weight | Price |
|-----------------------|---------------|-------------|----------|
| NTEP Certified | | | |
| 5 kg | 188691 | 2 lb | \$524.00 |
| 10 kg | 188692 | 2 lb | \$524.00 |
| 20 kg | 188693 | 2 lb | \$524.00 |
| 30 kg | 188694 | 2 lb | \$524.00 |
| 50 kg | 188702 | 2 lb | \$524.00 |
| 75 kg | 188695 | 2 lb | \$524.00 |
| 100 kg | 188696 | 2 lb | \$524.00 |
| 200 kg | 188697 | 2 lb | \$524.00 |
| 250 kg | 188698 | 2 lb | \$524.00 |
| 300 kg | 188699 | 2 lb | \$524.00 |
| 500 kg | 188700 | 2 lb | \$524.00 |

Dimensions

| Rated Capacity | A | B | C | D | E | F | G | H | J | K | M | N |
|----------------|-------|------|------|------|------|------|------|------|------|------|------|-----|
| kg/mm | | | | | | | | | | | | |
| 5 to 500 | 120.0 | 41.5 | 23.5 | 30.0 | 24.5 | 42.0 | 10.0 | 82.0 | 18.0 | 20.0 | 20.0 | 8.2 |



Interchangeable Products

RICE LAKE WEIGHING SYSTEMS
RLHBB

Specifications

- Full Scale Output:**
2.0 mV/V ± 10%
mV/V/ohm calibration
- Output Resistance:**
350 (± 3) ohm
- Input Resistance:**
400 (± 20) ohm
- Material/Finish:**
Stainless steel
- Temperature:**
Compensated:
14 °F to 104 °F (-10 °C to 40 °C)
Operating:
0 °F to 150 °F (-18 °C to 65 °C)
- Seal Type:**
Hermetically sealed, IP68/IP69K
- Safe Overload:**
150% full scale
- Rated Excitation:**
5 to 10 VDC (15 V maximum)
- Combined Error:**
0.017% full scale
- Insulation Resistance:**
> 5,000 megohm
- Deflection at Capacity:**
0.2 to 0.4 mm
- Cable Length:**
3 m
PVC cable
- Cable Color Code:**
Blue +Excitation
Black -Excitation
White +Signal
Red -Signal
Green +Sense
Yellow -Sense
- Warranty:**
Two-year limited
- Approvals:**
NTEP 18-107
OIML R60/2017-A-NL1-19.27
cFMus FM18US0307X

RL30000I

Alloy Steel, Environmentally Sealed, NTEP Certified 1:5,000 IIIIL Class III Multiple Cell, IP67

LOAD CELLS /
WEIGH MODULES



Picture is a representation of actual product.

Approvals



Order Information

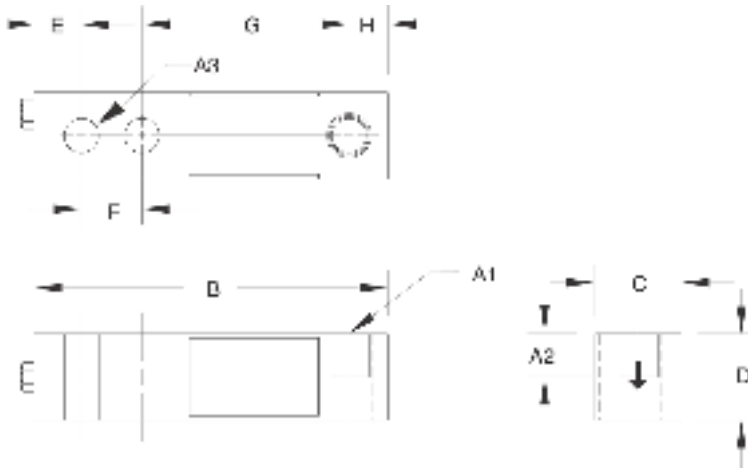
| Load Rating | Part # | Est. Weight | Price |
|---|--------|-------------|----------|
| NTEP Certified | | | |
| 1,000 lb | 21491 | 3 lb | \$312.00 |
| 2,000 lb | 21493 | 3 lb | \$312.00 |
| 2,500 lb | 21495 | 3 lb | \$312.00 |
| 3,000 lb | 21497 | 3 lb | \$312.00 |
| 4,000 lb | 21498 | 3 lb | \$312.00 |
| 5,000 lb SE | 21500 | 3 lb | \$312.00 |
| 5,000 lb LE | 21501 | 5 lb | \$398.00 |
| 10,000 lb | 21503 | 5 lb | \$398.00 |
| Non-NTEP Certified | | | |
| 250 lb | 17341 | 3 lb | \$312.00 |
| 500 lb | 17342 | 3 lb | \$312.00 |
| 20,000 lb | 17109 | 10 lb | \$684.00 |
| Conduit Adapter Kit (must be factory installed to maintain warranty) | | | |
| 3/8-24 nipple | 31533* | 1 lb | \$37.00 |
| 3/8-24 to 1/4-18 NPT | 31534* | 1 lb | \$37.00 |

SE=small envelope; LE=large envelope

* PN 31533 and PN 31534 must be installed together to form the Conduit Adapter Kit

Dimensions

| Rated Capacity | A1 | A2 | A3 | B | C | D | E | F | G | H |
|--------------------|------------|------|------|------|------|------|------|------|------|------|
| 250 to 5,000 SE | 1/2-20 UNF | 0.60 | 0.53 | 5.12 | 1.25 | 1.25 | 0.62 | 1.00 | 3.00 | 0.50 |
| 5,000 LE to 10,000 | 3/4-16 UNF | 0.75 | 0.78 | 6.75 | 1.50 | 1.50 | 0.75 | 1.50 | 3.75 | 0.75 |
| 20,000 | 1-14 UNF | 1.00 | 1.03 | 8.75 | 2.00 | 2.00 | 1.00 | 2.00 | 4.75 | 1.00 |



Interchangeable Products

VPG® REVERE

5123

VPG® TEDEA-HUNTLEIGH®

3411

ARTECH®

30310

Weigh Module Available

RICE LAKE WEIGHING SYSTEMS

RL50210TA

RICE LAKE WEIGHING SYSTEMS

RL1800 Series

Specifications

Full Scale Output:

3.0 mV/V

Bridge Resistance:

350 ohm, nominal

Material/Finish:

High-alloy steel, nickel plated

Temperature:

Compensated:

14 °F to 104 °F (-10 °C to 40 °C)

Operating:

0 °F to 150 °F (-18 °C to 65 °C)

Seal Type:

Environmentally sealed, IP67

Safe Overload:

150% full scale

Safe Sideload:

100% full scale

Rated Excitation:

5 to 10 VAC (15 V maximum)

Combined Error:

0.02% full scale

Insulation Resistance:

5,000 megohm

Deflection at Capacity:

250 to 1,000 lb: 0.013 in

2,000 to 3,000 lb: 0.015 in

4,000 to 5,000 lb: 0.025 in

10,000 lb: 0.032 in

20,000 lb: 0.038 in

Cable Length:

20 ft

Cable Diameter:

0.200 in

Polyurethane jacket

Cable Color Code:

Red +Excitation

Black -Excitation

Green +Signal

White -Signal

Warranty:

Two-year limited

Approvals:

cFMus

NTEP 98-043

SINGLE-ENDED BEAM
RL30002 Thru Hole

Alloy Steel, Environmentally Sealed, NTEP Certified 1:5,000 IIII Class III Multiple Cell, IP67



Picture is a representation of actual product.

Approvals



Order Information

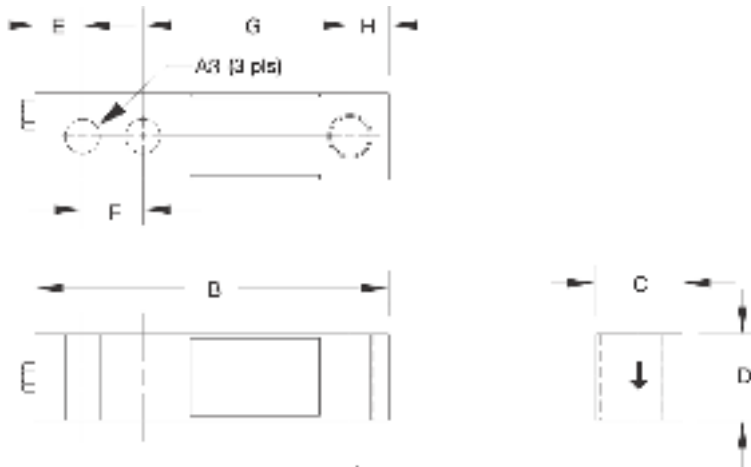
| Load Rating | Part # | Est. Weight | Price |
|---|--------|-------------|----------|
| NTEP Certified | | | |
| 1,000 lb | 21521 | 3 lb | \$312.00 |
| 2,000 lb | 21522 | 3 lb | \$312.00 |
| 2,500 lb | 21523 | 3 lb | \$312.00 |
| 4,000 lb | 21524 | 3 lb | \$312.00 |
| 5,000 lb SE | 21525 | 3 lb | \$312.00 |
| Conduit Adapter Kit (must be factory installed to maintain warranty) | | | |
| 3/8-24 nipple | 31533* | 1 lb | \$37.00 |
| 3/8-24 to 1/4-18 NPT | 31534* | 1 lb | \$37.00 |

SE=small envelope

* PN 31533 and PN 31534 must be installed together to form the Conduit Adapter Kit

Dimensions

| Rated Capacity | A3 | B | C | D | E | F | G | H |
|-------------------|------|------|------|------|------|------|------|------|
| lb/in | | | | | | | | |
| 1,000 to 5,000 SE | 0.53 | 5.12 | 1.25 | 1.25 | 0.62 | 1.00 | 3.00 | 0.50 |



Interchangeable Products

- VPG® TEDEA-HUNTLEIGH®
3410
- ARTECH®
30210

Specifications

Full Scale Output:
 3.0 mV/V

Bridge Resistance:
 350 ohm, nominal

Material/Finish:
 High-alloy steel, nickel plated

Temperature:
 Compensated:
 14 °F to 104 °F (-10 °C to 40 °C)
 Operating:
 0 °F to 150 °F (-18 °C to 65 °C)

Seal Type:
 Environmentally sealed, IP67

Safe Overload:
 150% full scale

Safe Sideload:
 100% full scale

Rated Excitation:
 5 to 10 VDC (15 V maximum)

Combined Error:
 0.02% full scale

Insulation Resistance:
 5,000 megohm

Deflection at Capacity:
 1,000 lb: 0.013 in
 2,000 to 3,000 lb: 0.015 in
 4,000 to 5,000 lb: 0.025 in

Cable Length:
 20 ft

Cable Diameter:
 0.200 in
 Polyurethane jacket

Cable Color Code:
 Red +Excitation
 Black -Excitation
 Green +Signal
 White -Signal

Warranty:
 Two-year limited

Approvals:
 cFMus
 NTEP 98-043

LOAD CELLS / WEIGH MODULES

RLH35

Stainless Steel, Welded Seal, NTEP Certified 1:5,000 Class III L Multiple Cell, IP67

Limited Stock Available

LOAD CELLS / WEIGH MODULES



Picture is a representation of actual product.

Approvals

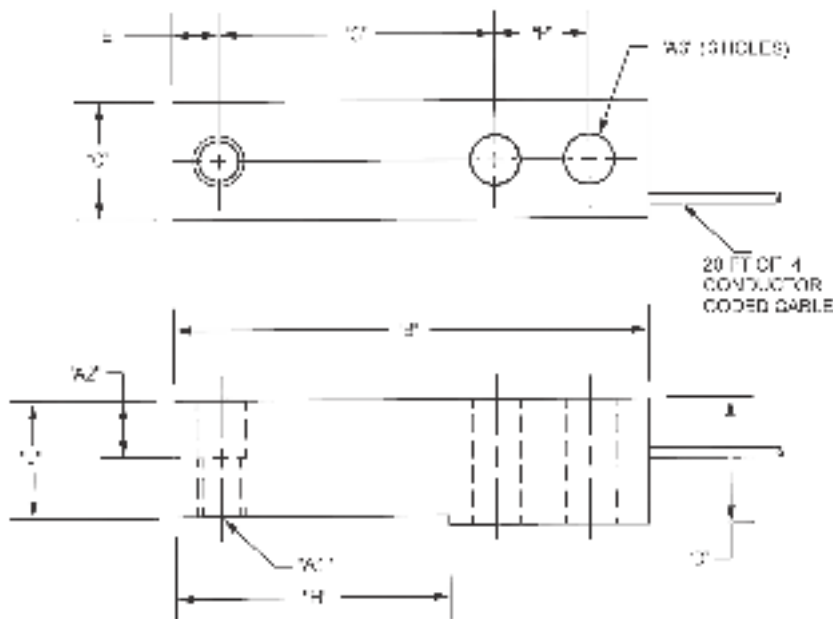


Order Information

| Load Rating | Part # | Est. Weight | Price |
|-------------|--------|-------------|----------|
| 500 lb | 106038 | 4 lb | \$371.00 |

Dimensions

| Rated Capacity | A1 | A2 | A3 | C | D | B | E | F | G | H | J |
|----------------|------------|------|------|------|------|------|------|------|------|------|-------|
| 500 lb/in | 1/2-20 UNF | 0.62 | 0.53 | 1.21 | 1.19 | 5.12 | 0.50 | 1.00 | 3.00 | 2.85 | 1.120 |



Interchangeable Products

- HBK®
- H35**
- METTLER TOLEDO®
- 500 lb-8 ft cable**
- TB601019-008
- 1,000 lb-20 ft cable**
- TB601016-020
- 2,500 lb-8 ft cable**
- TB601016-008

Specifications

- Full Scale Output:**
3.0 mV/V
- Output Resistance:**
350 ohm, nominal
- Input Resistance:**
385 ohm, nominal
- Material/Finish:**
Stainless steel
- Temperature:**
Compensated:
14 °F to 104 °F (-10 °C to 40 °C)
Operating:
0 °F to 150 °F (-18 °C to 65 °C)
- Seal Type:**
Welded-seal, IP67
- Safe Overload:**
150% full scale
- Rated Excitation:**
5 to 10 VDC (15 V maximum)
- Combined Error:**
0.02% full scale
- Insulation Resistance:**
5,000 megohm
- Deflection at Capacity:**
0.02 in
- Cable Length:**
20 ft
- Cable Diameter:**
0.190 in
Polyurethane jacket
- Cable Color Code:**
Green +Excitation
Black -Excitation
White +Signal
Red -Signal
Yellow Shield
- Warranty:**
Two-year limited
- Approvals:**
FM
NTEP 06-023



Picture is a representation of actual product.

Approvals



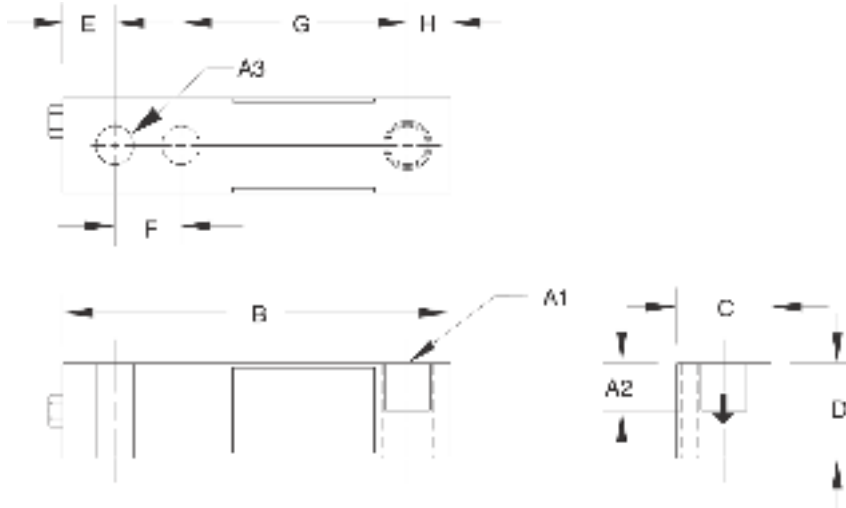
Order Information

| Load Rating | Part # | Est. Weight | Price |
|---|--------|-------------|----------|
| 20 ft Cables | | | |
| 250 lb | 17386 | 3 lb | \$344.00 |
| 500 lb | 17387 | 3 lb | \$344.00 |
| 1,000 lb | 17189 | 3 lb | \$344.00 |
| 2,500 lb | 17191 | 3 lb | \$344.00 |
| 4,000 lb | 17193 | 3 lb | \$344.00 |
| 5,000 lb | 17194 | 5 lb | \$439.00 |
| 10,000 lb | 17195 | 5 lb | \$439.00 |
| 30 ft Cables | | | |
| 4,000 lb | 95562 | 3 lb | \$365.00 |
| Conduit Adapter Kit (must be factory installed to maintain warranty) | | | |
| 3/8-24 nipple | 31533* | 1 lb | \$37.00 |
| 3/8-24 to 1/4-18NPT | 31534* | 1 lb | \$37.00 |

* PN 31533 and PN 31534 must be installed together to form the Conduit Adapter Kit

Dimensions

| Rated Capacity | A1 | A2 | A3 | B | C | D | E | F | G | H |
|-----------------|------------|------|------|------|------|------|------|------|------|------|
| lb/in | | | | | | | | | | |
| 250 to 4,000 | 1/2-20 UNF | 0.60 | 0.53 | 5.12 | 1.25 | 1.25 | 0.62 | 1.00 | 3.00 | 0.50 |
| 5,000 to 10,000 | 3/4-16 UNF | 0.75 | 0.78 | 6.75 | 1.50 | 1.50 | 0.75 | 1.50 | 3.75 | 0.75 |



Interchangeable Products

VPG® REVERE

9123

ARTECH®

SS30310

Weigh Module Available

RICE LAKE WEIGHING SYSTEMS

RL50210TA

RICE LAKE WEIGHING SYSTEMS

RL1800 Series

Specifications

Full Scale Output:

3.0 mV/V

Output Resistance:

349 to 355 ohm

Input Resistance:

343 to 357 ohm

Material/Finish:

Stainless steel

Temperature:

Operating:
0 °F to 150 °F (-18 °C to 65 °C)

Seal Type:

Environmentally sealed, IP67

Safe Overload:

150% full scale

Safe Sideload:

100% full scale

Rated Excitation:

5 to 10 VDC (15 V maximum)

Nonlinearity:

0.03% full scale

Hysteresis:

0.02% full scale

Insulation Resistance:

5,000 megohm

Deflection at Capacity:

250 to 1,000 lb: 0.013 in
2,000 to 3,000 lb: 0.015 in
4,000 to 5,000 lb: 0.025 in
10,000 lb: 0.32 in

Cable Length:

20 ft
30 ft

Cable Diameter:

0.200 in
Polyurethane jacket

Cable Color Code:

Red +Excitation
Black -Excitation
Green +Signal
White -Signal

Warranty:

Two-year limited

Approvals:

cFMus

SINGLE-ENDED BEAM
RL32018S-T

Stainless Steel, Hermetically Sealed, NTEP Certified, 1:5,000 Class III Multiple Cell, IP69K

LOAD CELLS /
 WEIGH MODULES



Picture is a representation of actual product.

Approvals

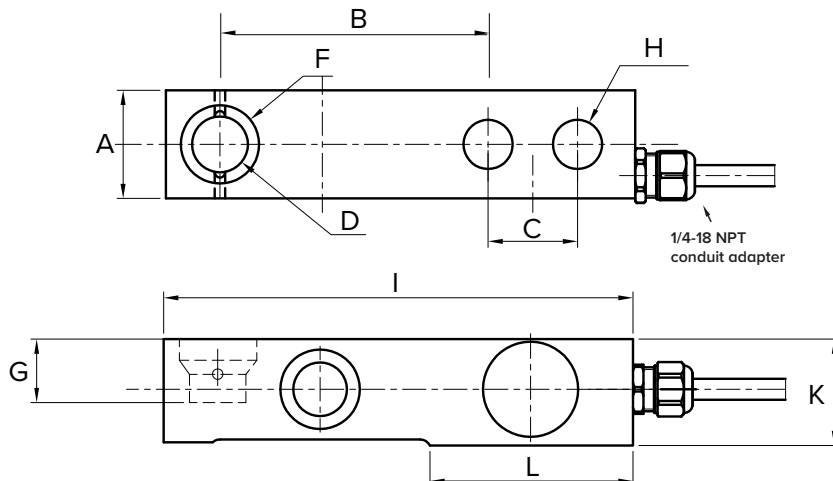


Order Information

| Load Rating | Part # | Est. Weight | Price |
|------------------------------|--------|-------------|----------|
| 15 ft Cable | | | |
| 500 lb | 189189 | 3 lb | \$477.00 |
| 1,250 lb | 189190 | 3 lb | \$477.00 |
| 2,500 lb | 189191 | 3 lb | \$477.00 |
| 5,000 lb | 189192 | 5 lb | \$630.00 |
| 10,000 lb | 189193 | 5 lb | \$758.00 |
| 30 ft Cable | | | |
| 500 lb | 191974 | 3 lb | \$503.00 |
| 1,250 lb | 191975 | 3 lb | \$503.00 |
| 2,500 lb | 191976 | 3 lb | \$503.00 |
| 5,000 lb | 191977 | 5 lb | \$662.00 |
| 10,000 lb | 191978 | 5 lb | \$790.00 |
| Replacement load pins | | | |
| Rocker pin 500 to 2.5 K | 108612 | 1 lb | \$85.00 |
| Rocker pin 5 K | 130408 | 1 lb | \$90.00 |
| Rocker pin 10 K | 131376 | 1 lb | \$130.00 |
| O-ring (two per pin) | 108202 | 1 lb | \$1.00 |

Dimensions

| Rated Capacity | A | B | C | D | F | G | H | I | K | L |
|----------------|------|------|------|------|------|------|------|------|------|------|
| 500 to 1,250 | 1.21 | 3.00 | 1.00 | 0.62 | 0.88 | 0.68 | 0.51 | 5.25 | 1.19 | 2.27 |
| 2,500 | 1.21 | 3.00 | 1.00 | 0.62 | 0.88 | 0.68 | 0.51 | 5.25 | 1.19 | 2.27 |
| 5,000 | 1.44 | 3.00 | 1.00 | 0.62 | 0.88 | 0.90 | 0.51 | 5.38 | 1.44 | 2.28 |
| 10,000 | 1.69 | 3.75 | 1.50 | 0.88 | 1.38 | 1.15 | 0.76 | 6.75 | 1.69 | 2.91 |



Interchangeable Products

- METTLER TOLEDO®
TB600529-500 lb
- METTLER TOLEDO
TB600363-1,250 lb
- METTLER TOLEDO
TB600342-2,500 lb
- METTLER TOLEDO
TB600343-5,000 lb
- METTLER TOLEDO
TB600364-10,000 lb
- HBK®
THC

Weigh Module Available

RICE LAKE WEIGHING SYSTEMS
RLTM

Specifications

- Full Scale Output:**
 2.0 mV/V ± 0.05%
 mV/V/ohm calibration
- Output Resistance:**
 350 (± 3) ohm
- Input Resistance:**
 400 (± 20) ohm
- Material/Finish:**
 Stainless steel
- Temperature:**
 Compensated:
 14 °F to 104 °F (-10 °C to 40 °C)
 Operating:
 0 °F to 150 °F (-18 °C to 65 °C)
- Seal Type:**
 Hermetically sealed, IP69K
- Safe Overload:**
 150% full scale
- Rated Excitation:**
 5 to 10 VDC
- Combined Error:**
 0.017% full scale
- Insulation Resistance:**
 5,000 megohm
- Cable Length:**
 15 ft
 30 ft
- Cable Color Code:**
 Green +Excitation
 Black -Excitation
 White +Signal
 Red -Signal
 Shield is attached to element
- Warranty:**
 Two-year limited
- Approvals:**
 cFMus
 NTEP 18-106

Discontinued

SINGLE-ENDED BEAM

RL35023S MLC Coated

Stainless Steel, Environmentally Sealed, NTEP Certified 1:5,000 Class III Multiple Cell, IP67



Picture is a representation of actual product.

Approvals



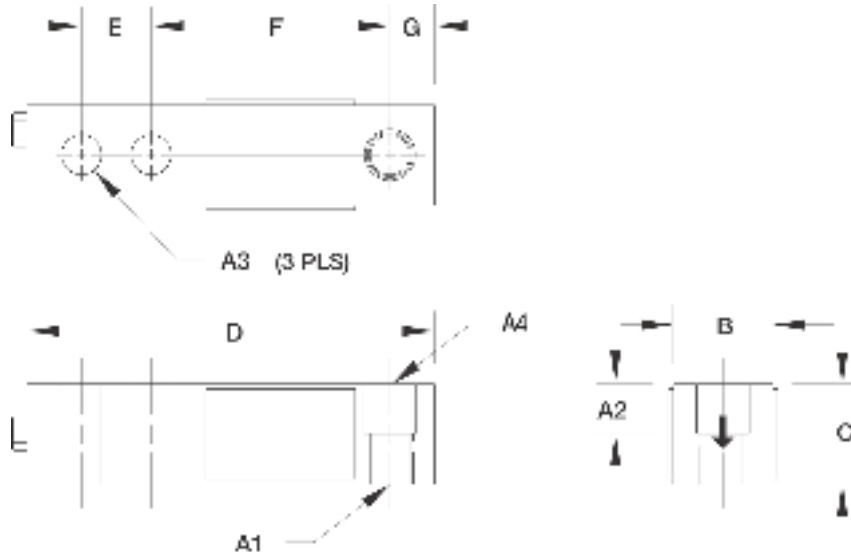
Order Information

| Load Rating | Part # | Est. Weight | Price |
|---|--------|-------------|----------|
| 10,000 lb | 182759 | 3 lb | \$466.00 |
| Conduit Adapter Kit (must be factory installed to maintain warranty) | | | |
| 3/8-24 nipple | 31533* | 1 lb | \$37.00 |
| 3/8-24 to 1/4-18 NPT | 31534* | 1 lb | \$37.00 |

* PN 31533 and PN 31534 must be installed together to form the Conduit Adapter Kit

Dimensions

| Rated Capacity | A1 | A2 | A3 | A4 | B | C | D | E | F | G |
|----------------|------------|------|------|----------|------|------|------|------|------|------|
| 10,000 lb/in | 3/4-16 UNF | 0.75 | 0.78 | 0.78 dia | 1.50 | 1.50 | 6.75 | 1.50 | 3.75 | 0.75 |



Interchangeable Products

- VPG® SENSORTRONICS®
65023S*
- VPG SENSORTRONICS
65023SS*
- VPG® CELTRON®
SQB-HSS*

Weigh Module Available

- RICE LAKE WEIGHING SYSTEMS
RL50210TA
- RICE LAKE WEIGHING SYSTEMS
RL1800 Series

*Cells are uncoated

Specifications

- Full Scale Output:**
3.0 mV/V
- Output Resistance:**
349 to 355 ohm
- Input Resistance:**
343 to 357 ohm
- Material/Finish:**
Stainless steel, coated
- Temperature:**
Compensated:
14 °F to 104 °F (-10 °C to 40 °C)
Operating:
0 °F to 150 °F (-18 °C to 65 °C)
- Seal Type:**
Environmentally sealed, IP67
- Safe Overload:**
150% full scale
- Safe Sideload:**
100% full scale
- Rated Excitation:**
5 to 10 VDC (15 V maximum)
- Combined Error:**
0.02% full scale
- Insulation Resistance:**
5,000 megohm
- Deflection at Capacity:**
10,000 lb: 0.025 to 0.035 in
- Cable Length:**
20 ft
- Cable Diameter:**
0.200 in
Polyurethane jacket
- Cable Color Code:**
Red +Excitation
Black -Excitation
Green +Signal
White -Signal
- Warranty:**
Two-year limited
- Approvals:**
cFMus
NTEP 94-134

LOAD CELLS / WEIGH MODULES

RLHTO

Stainless Steel, Hermetically Sealed, IP66/68



Picture is a representation of actual product.

Approvals

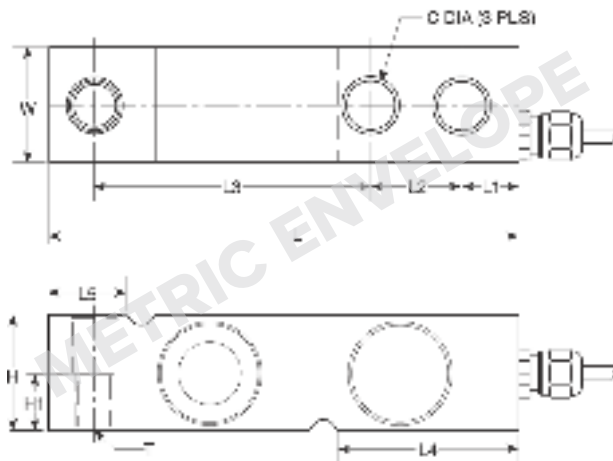


Order Information

| Load Rating | Part # | Est. Weight | Price |
|-------------|--------|-------------|----------|
| 500 kg | 31253 | 3 lb | \$514.00 |
| 1,000 kg | 31250 | 3 lb | \$514.00 |
| 2,000 kg | 31251 | 3 lb | \$514.00 |
| 5,000 kg | 31252 | 5 lb | \$588.00 |

Dimensions

| Rated Capacity | C | H | H1 | L | L1 | L2 | L3 | L4 | L5 | T | W |
|----------------|------|------|------|-------|------|------|------|------|------|------------|------|
| kg/mm | | | | | | | | | | | |
| 500 to 2,000 | 13.5 | 32.0 | 16.0 | 130.0 | 15.8 | 25.4 | 76.2 | 50.5 | 23.5 | M12 x 1.75 | 32.0 |
| 5,000 | 20.5 | 48.0 | — | 171.5 | 19.0 | 38.1 | 95.3 | 70.0 | 37.0 | — | 36.5 |



Interchangeable Products

VPG® TEDEA-HUNTLEIGH®
3510-OIML

Weigh Module Available

RICE LAKE WEIGHING SYSTEMS
1700 HE

Specifications

- Full Scale Output:**
2.0 mV/V
- Output Resistance:**
350 (± 3) ohm
- Input Resistance:**
380 (± 10) ohm
- Material/Finish:**
Stainless steel
- Temperature:**
Operating:
0 °F to 150 °F (-18 °C to 65 °C)
- Seal Type:**
Hermetically sealed, IP66/68
- Safe Overload:**
150% full scale
- Safe Sideload:**
100% full scale
- Rated Excitation:**
5 to 10 VDC (15 V maximum)
- Combined Error:**
0.02% applied load
- Insulation Resistance:**
2,000 megohm
- Deflection at Capacity:**
0.4 mm
- Cable Length:**
5 m
- Cable Diameter:**
0.220 in
Polyurethane jacket
- Cable Color Code:**
Blue +Excitation
Black -Excitation
White +Signal
Red -Signal
Green +Sense
Grey -Sense
- Warranty:**
Two-year limited
- Approvals:**
cFMus



Picture is a representation of actual product.

Approvals

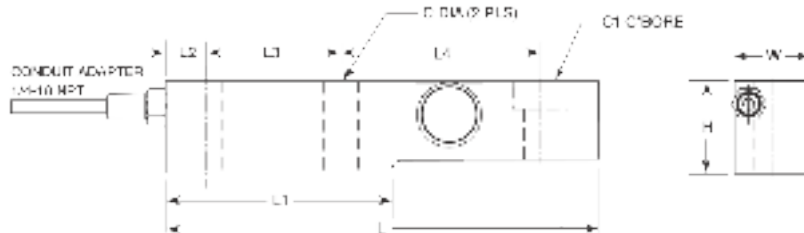


Order Information

| Load Rating | Part # | Est. Weight | Price |
|-------------------------------|--------|-------------|----------|
| 1,000 lb | 34310 | 5 lb | \$636.00 |
| 2,000 lb | 34311 | 5 lb | \$636.00 |
| 5,000 lb | 34312 | 6 lb | \$636.00 |
| 10,000 lb | 34313 | 10 lb | \$758.00 |
| Options | | | |
| Load cell button (1 K to 5 K) | 26112 | — | \$37.00 |

Dimensions

| Rated Capacity | C | C1 | H | L | L1 | L2 | L3 | L4 | W |
|----------------|------|---------------------------------|------|------|------|------|------|------|------|
| lb/in | | | | | | | | | |
| 1,000 to 5,000 | 0.53 | 0.68 thru C'Bore 1.19 x 0.47 DP | 1.88 | 8.00 | 4.00 | 0.75 | 2.50 | 3.88 | 1.44 |
| 10,000 | 0.88 | 1.00 thru C'Bore 1.63 x 0.62 DP | 2.75 | 9.25 | 4.62 | 0.81 | 2.63 | 4.88 | 1.88 |



Interchangeable Products

ARTECH®

SS30610

Weigh Module Available

RICE LAKE WEIGHING SYSTEMS

RL1900 Series

Specifications

Full Scale Output:

2.0 mV/V

Bridge Resistance:

350 ohm, nominal

Material/Finish:

Stainless steel

Temperature:

Compensated:

14 °F to 104 °F (-10 °C to 40 °C)

Operating:

0 °F to 150 °F (-18 °C to 65 °C)

Seal Type:

Welded-seal, IP67

Safe Overload:

150% full scale

Safe Sideload:

100% full scale

Rated Excitation:

5 to 10 VDC (15 V maximum)

Combined Error:

0.02% full scale

Non-repeatability:

0.01% full scale

Insulation Resistance:

5,000 megohm

Cable Length:

15 ft

Cable Diameter:

0.200 in

Polyurethane jacket

Cable Color Code:

Green +Excitation

Black -Excitation

White +Signal

Red -Signal

Warranty:

Two-year limited

Approvals:

cFMus

NTEP 96-053

RLSB250/RLSB250T

Stainless Steel, Welded Seal, NTEP Certified 1:5,000 Class III Multiple Cell, IP67

LOAD CELLS / WEIGH MODULES



Picture is a representation of actual product.

Approvals

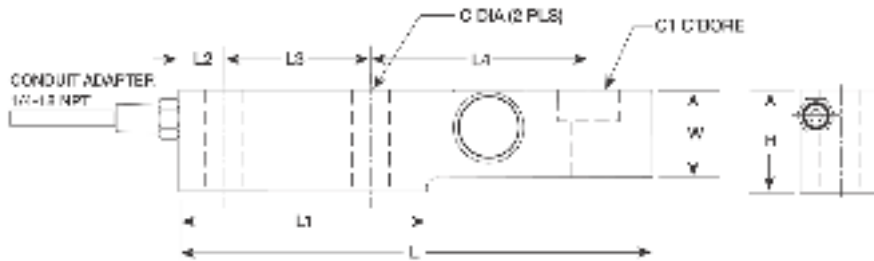


Order Information

| Load Rating | Part # | Est. Weight | Price |
|------------------|--------|-------------|----------|
| Threaded | | | |
| 2,500 lb | 116053 | 6 lb | \$636.00 |
| 5,000 lb | 116054 | 6 lb | \$742.00 |
| Thru Hole | | | |
| 2,500 lb | 34482 | 6 lb | \$636.00 |
| 10,000 lb | 116055 | 10 lb | \$742.00 |
| Options | | | |
| Load cell button | 116084 | — | \$11.00 |

Dimensions

| Rated Capacity | C | C1 | H | L | L1 | L2 | L3 | L4 | T | W |
|----------------|------|----------------|------|------|------|------|------|------|------------|------|
| lb/in | | | | | | | | | | |
| 2,500 | 0.53 | 1.20 x 0.75 DP | 1.93 | 8.00 | 4.00 | 0.75 | 2.50 | 3.88 | 3/4-16 UNF | 1.25 |
| 5,000 | 0.53 | 1.20 x 0.75 DP | 1.93 | 8.00 | 4.00 | 0.75 | 2.50 | 3.88 | 3/4-16 UNF | 1.45 |
| 10,000 | — | 1.20 x 0.75 DP | 2.46 | 9.00 | 4.00 | 0.75 | 2.00 | 5.25 | — | 1.62 |



Interchangeable Products

CARDINAL®
SB2500*
 *No threads in load hole

Specifications

- Full Scale Output:**
2.0 mV/V
- Bridge Resistance:**
350 ohm, nominal
- Material/Finish:**
Stainless steel
- Temperature:**
Compensated:
14 °F to 104 °F (-10 °C to 40 °C)
Operating:
0 °F to 150 °F (-18 °C to 65 °C)
- Seal Type:**
Welded-seal, IP67
- Safe Overload:**
150% full scale
- Safe Sideload:**
100% full scale
- Rated Excitation:**
5 to 10 VDC (15 V maximum)
- Combined Error:**
0.02% full scale
- Non-repeatability:**
0.01% full scale
- Insulation Resistance:**
5,000 megohm
- Cable Length:**
20 ft
PN 34482: 15 ft
- Cable Diameter:**
0.200 in
Polyurethane jacket
- Cable Color Code:**
Green +Excitation
Black -Excitation
White +Signal
Red -Signal
- Warranty:**
Two-year limited
- Approvals:**
cFMus
NTEP 96-053



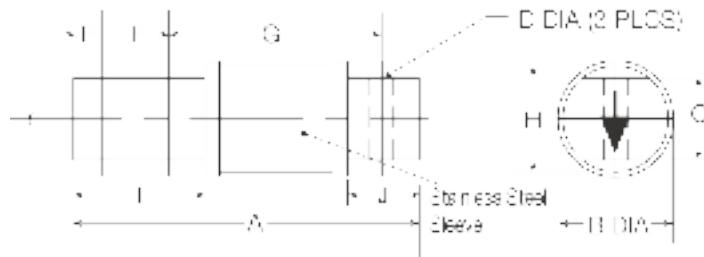
Picture is a representation of actual product.

Order Information

| Load Rating | Part # | Est. Weight | Price |
|-------------|--------|-------------|----------|
| 25 lb | 194014 | 2 lb | \$450.00 |
| 50 lb | 194015 | 2 lb | \$450.00 |
| 75 lb | 194016 | 2 lb | \$450.00 |
| 100 lb | 194017 | 2 lb | \$450.00 |
| 150 lb | 194018 | 2 lb | \$450.00 |
| 250 lb | 194019 | 2 lb | \$450.00 |
| 500 lb | 194020 | 2 lb | \$450.00 |

Dimensions

| Rated Capacity | A | B | C | D | E | F | G | H | I | J |
|----------------|------|------|------|------|------|------|------|------|------|------|
| lb/in | | | | | | | | | | |
| 25 to 500 | 2.81 | 1.30 | 0.62 | 0.26 | 0.25 | 0.50 | 1.81 | 1.00 | 1.00 | 0.50 |



Interchangeable Products

- RICE LAKE WEIGHING SYSTEMS
RL50210 (alloy)
- RICE LAKE WEIGHING SYSTEMS
RL60040SST

Weigh Module Available

- RICE LAKE WEIGHING SYSTEMS
RL50219SS-TA

Specifications

- Full Scale Output:**
3.0 mV/V
- Output Resistance:**
350 (± 3) ohm
- Input Resistance:**
380 to 450 ohm
- Material/Finish:**
Stainless steel
- Temperature:**
Operating:
0 °F to 150 °F (-18 °C to 65 °C)
- Seal Type:**
Environmentally sealed, IP65
- Safe Overload:**
150% full scale
- Rated Excitation:**
5 to 10 VDC
- Nonlinearity:**
0.03% full scale
- Hysteresis:**
0.02% full scale
- Combined Error:**
0.017% full scale
- Insulation Resistance:**
5,000 megohm
- Cable Length:**
20 ft
- Cable Color Code:**
Red +Excitation
Black -Excitation
Green +Signal
White -Signal
- Warranty:**
Two-year limited

RL50210

Alloy Steel, Environmentally Sealed, IP65



Picture is a representation of actual product.

Approvals

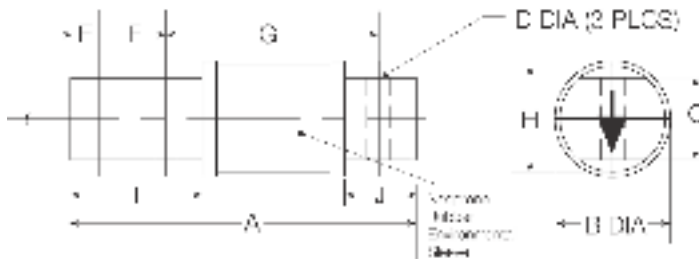


Order Information

| Load Rating | Part # | Est. Weight | Price |
|-------------|--------|-------------|----------|
| 25 lb | 17385 | 2 lb | \$260.00 |
| 50 lb | 17380 | 2 lb | \$260.00 |
| 100 lb | 17381 | 2 lb | \$260.00 |
| 150 lb | 17382 | 2 lb | \$260.00 |
| 250 lb | 17383 | 2 lb | \$260.00 |
| 500 lb | 17384 | 2 lb | \$260.00 |

Dimensions

| Rated Capacity | A | B | C | D | E | F | G | H | I | J |
|----------------|------|------|------|------|------|------|------|------|------|------|
| lb/in | | | | | | | | | | |
| 25 to 500 | 2.81 | 1.30 | 0.62 | 0.26 | 0.25 | 0.50 | 1.81 | 1.00 | 1.00 | 0.50 |



Interchangeable Products

RICE LAKE WEIGHING SYSTEMS

RL50219SS

VPG® SENSORTRONICS®

60040

ARTECH®

50210

VPG® REVERE

5503

Weigh Module Available

RICE LAKE WEIGHING SYSTEMS

RL50210TA

Specifications

Full Scale Output:

3.0 mV/V

Output Resistance:

349 to 355 ohm

Input Resistance:

360 to 450 ohm

Material/Finish:

High-alloy steel, nickel plated

Temperature:

Operating:

0 °F to 150 °F (-18 °C to 65 °C)

Seal Type:

Environmentally sealed with neoprene sleeve, IP65

Safe Overload:

150% full scale

Rated Excitation:

5 to 10 VDC (15 V maximum)

Nonlinearity:

0.03% full scale

Hysteresis:

0.02% full scale

Insulation Resistance:

5,000 megohm

Deflection at Capacity:

25 to 50 lb: 0.008 in

100 lb: 0.010 in

150 lb: 0.012 in

250 lb: 0.016 in

500 lb: 0.025 in

Cable Length:

20 ft

Cable Diameter:

0.200 in

Polyurethane jacket

Cable Color Code:

Red +Excitation

Black -Excitation

Green +Signal

White -Signal

Warranty:

Two-year limited

Approvals:

cFMus



Picture is a representation of actual product.

Order Information

| Load Rating | Part # | Est. Weight | Price |
|-------------|--------|-------------|----------|
| 50 lb | 17395 | 3 lb | \$418.00 |
| 100 lb | 17343 | 3 lb | \$418.00 |
| 200 lb | 17396 | 3 lb | \$418.00 |
| 250 lb | 17397 | 3 lb | \$418.00 |
| 500 lb | 17398 | 3 lb | \$418.00 |
| 1,000 lb | 17344 | 3 lb | \$418.00 |
| 2,500 lb | 17345 | 9 lb | \$662.00 |

Dimensions

| Rated Capacity | A | A1 | A2 | B | C | D | E | F | G | H |
|----------------|-------|------|------|------|------|------|------|------|------|------|
| lb/in | | | | | | | | | | |
| 50 to 100 | 6.00 | 0.31 | 0.31 | 0.38 | 0.88 | 4.25 | 1.06 | 1.41 | — | — |
| 200 to 1,000 | 6.62 | 0.52 | 0.52 | 0.50 | 1.12 | 4.25 | 1.06 | 1.41 | — | — |
| 2,500 | 11.38 | 0.53 | 0.62 | 0.50 | 1.75 | 8.25 | 1.25 | 2.19 | 1.19 | 0.12 |



Interchangeable Products

HBK®
BBS
 VPG® SENSORTRONICS®
65087
 FAIRBANKS®
3-481XX-1
 FAIRBANKS
3-48660-1
 ARTECH®
40310

Specifications

Full Scale Output:

2.0 mV/V

Output Resistance:

831 (± 5) ohm

Input Resistance:

750 (±5) ohm

Material/Finish:

High-alloy steel, nickel plated

Temperature:

Operating:
0 °F to 150 °F (-18 °C to 65 °C)

Seal Type:

Environmentally sealed with neoprene sleeve, IP65

Safe Overload:

150% full scale

Rated Excitation:

5 to 10 VDC (15 V maximum)

Nonlinearity:

0.03% full scale

Hysteresis:

0.02% full scale

Insulation Resistance:

5,000 megohm

Deflection at Capacity:

50 lb: 0.015 in
 100 lb: 0.005 in
 200 to 250 lb: 0.030 in
 500 lb: 0.025 in
 1,000 lb: 0.040 in
 2,500 lb: 0.120 in

Cable Length:

10 ft

Cable Diameter:

0.200 in
 Polyurethane jacket

Cable Color Code:

Green +Excitation
 Black -Excitation
 White +Signal
 Red -Signal

Warranty:

Two-year limited

RL32011WB-L

Stainless Steel, Environmentally Sealed, NTEP Certified 1:5,000 Class III Multiple Cell, Potted, IP67

LOAD CELLS /
WEIGH MODULES



Picture is a representation of actual product.

Approvals

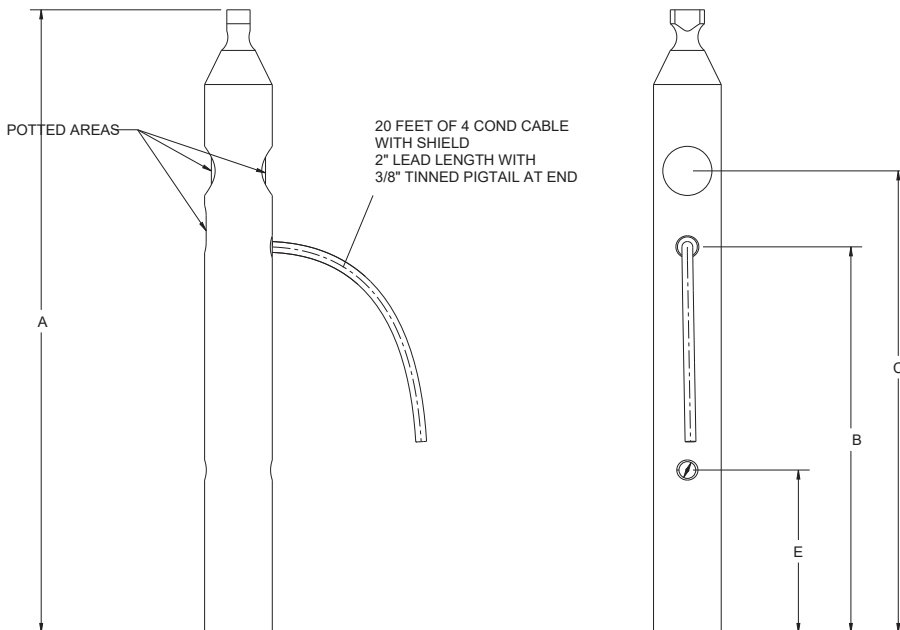
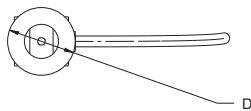


Order Information

| Load Rating | Part # | Est. Weight | Price |
|-------------|--------|-------------|----------|
| 1,250 lb | 119788 | 5 lb | \$730.00 |
| 5,000 lb | 119790 | 9 lb | \$850.00 |
| 10,000 lb | 119791 | 17 lb | \$950.00 |

Dimensions

| Rated Capacity lb/in | A | B | C | D | E |
|-------------------------|-------|------|------|------|-----|
| 1,250 | 11.50 | 7.12 | 8.52 | 1.25 | 3.0 |
| 5,000 | 10.9 | 5.5 | 7.4 | 2.0 | 3.0 |
| 10,000 | 12.6 | 5.9 | 8.0 | 2.5 | 3.0 |



Interchangeable Products

AVERY WEIGH TRONIX®
Weigh Bar

Specifications

- Full Scale Output:**
2.0 (± 0.1%) mV/V
- Output Resistance:**
350 (± 3) ohm
- Input Resistance:**
385 (± 10) ohm
- Material/Finish:**
Stainless steel
- Temperature:**
Compensated:
14 °F to 104 °F (-10 °C to 40 °C)
Operating:
0 °F to 150 °F (-18 °C to 65 °C)
- Seal Type:**
Environmentally sealed, IP67
- Safe Overload:**
150% full scale
- Safe Sideload:**
100% full scale
- Rated Excitation:**
5 to 10 VDC
- Combined Error:**
0.02% full scale
- Non-repeatability:**
± 0.01% full scale
- Insulation Resistance:**
5,000 megohm
- Cable Length:**
20 ft
- Cable Diameter:**
0.190 in
Polyurethane jacket
- Cable Color Code:**
Green +Excitation
Black -Excitation
White +Signal
Red -Signal
- Warranty:**
Two-year limited
- Approvals:**
NTEP 11-024

SINGLE-ENDED BEAM
RL32011WB-T

Stainless Steel, Environmentally Sealed, NTEP Certified 1:5,000 Class III Multiple Cell, Potted, IP67



Picture is a representation of actual product.

Approvals

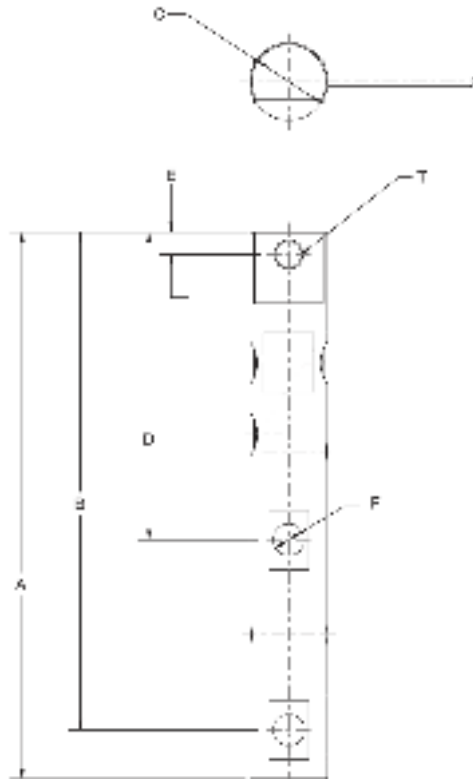


Order Information

| Load Rating | Part # | Est. Weight | Price |
|-------------|--------|-------------|----------|
| 1,250 lb | 119796 | 3 lb | \$525.00 |
| 2,500 lb | 119797 | 3 lb | \$525.00 |

Dimensions

| Rated Capacity lb/in | A | B | C | D | E | F | T |
|-------------------------|-------|-------|------|------|------|------|------------|
| 1,250 | 11.50 | 10.47 | 1.25 | 6.47 | 0.47 | 0.53 | 1/2-13 UNC |
| 2,500 | 11.50 | 10.47 | 1.62 | 6.47 | 0.47 | 0.66 | 5/8-11 UNC |



Interchangeable Products

AVERY WEIGH TRONIX®
Weigh Bar

Specifications

Full Scale Output:

2.0 (± 0.1%) mV/V

Output Resistance:

350 (± 3) ohm

Input Resistance:

385 (± 10) ohm

Material/Finish:

Stainless steel

Temperature:

Compensated:
 14 °F to 104 °F (-10 °C to 40 °C)

Operating:

0 °F to 150 °F (-18 °C to 65 °C)

Seal Type:

Environmentally sealed, IP67

Safe Overload:

150% full scale

Safe Sideload:

100% full scale

Rated Excitation:

5 to 10 VDC

Combined Error:

0.02% full scale

Non-repeatability:

± 0.01% full scale

Insulation Resistance:

5,000 megohm

Cable Length:

20 ft

Cable Diameter:

0.190 in
 Polyurethane jacket

Cable Color Code:

Green +Excitation
 Black -Excitation
 White +Signal
 Red -Signal

Warranty:

Two-year limited

Approvals:

NTEP 11-024

LOAD CELLS /
 WEIGH MODULES

RL72020

Alloy Steel, Environmentally Sealed, NTEP Certified 1:5,000 Class III/1:10,000 Class IIIIL Multiple Cell, IP67

LOAD CELLS /
WEIGH MODULES



Picture is a representation of actual product.

Approvals

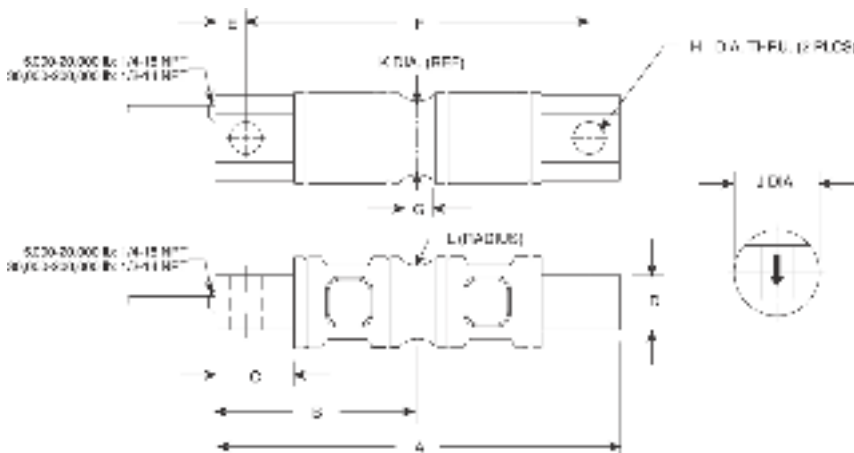


Order Information

| Load Rating | Part # | Est. Weight | Price |
|-----------------|--------|-------------|------------|
| NTEP | | | |
| 5,000 lb | 201758 | 5 lb | \$695.00 |
| 10,000 lb | 201759 | 6 lb | \$695.00 |
| 20,000 lb | 201760 | 7 lb | \$695.00 |
| 30,000 lb | 201761 | 18 lb | \$800.00 |
| 40,000 lb | 201762 | 18 lb | \$800.00 |
| 50,000 lb | 201763 | 18 lb | \$800.00 |
| 60,000 lb | 201764 | 18 lb | \$800.00 |
| 100,000 lb | 201765 | 28 lb | \$1,563.00 |
| 150,000 lb | 201766 | 34 lb | \$1,563.00 |
| 200,000 lb | 201767 | 90 lb | \$2,940.00 |
| Non-NTEP | | | |
| 250,000 lb | 201768 | 93 lb | \$2,940.00 |

Dimensions

| Rated Capacity | A | B | C | D | E | F | G | H | J | K | L |
|--------------------|-------|------|------|------|------|-------|------|------|------|------|------|
| 5,000 to 10,000 | 8.12 | 4.06 | 1.44 | 1.12 | 0.62 | 6.88 | 0.62 | 0.66 | 1.70 | 1.48 | 0.50 |
| 20,000 | 8.12 | 4.06 | 1.44 | 1.12 | 0.62 | 6.88 | 0.84 | 0.66 | 1.95 | 1.48 | 0.50 |
| 30,000 to 60,000 | 10.25 | 5.12 | 1.88 | 2.37 | 0.88 | 8.50 | 1.00 | 1.06 | 3.20 | 2.73 | 1.00 |
| 100,000 | 11.25 | 5.62 | 1.88 | 2.50 | 0.88 | 9.50 | 1.00 | 1.06 | 3.50 | 3.24 | 1.50 |
| 150,000 | 11.25 | 5.62 | 1.88 | 2.80 | 0.88 | 9.50 | 1.25 | 1.06 | 3.90 | 3.64 | 1.50 |
| 200,000 to 250,000 | 16.10 | 8.05 | 3.05 | 4.60 | 1.55 | 13.00 | 1.30 | 1.56 | 5.38 | 5.17 | 2.00 |



Interchangeable Products

VPG® REVERE

5103*

ARTECH®

70210

METTLER TOLEDO®

SLD 430

*Conduit adapter optional

Weigh Module Available

RICE LAKE WEIGHING SYSTEMS

EZ Mount 1

Specifications

Full Scale Output:

3.0 mV/V

Output Resistance:

700 (± 5) ohm

Input Resistance:

5 to 10 k: 700 (± 14) ohm
20 to 150 k: 770 (± 10) ohm
200 to 250 k: 700 (± 14) ohm

Material/Finish:

High-alloy steel, nickel plated

Temperature:

Compensated:
14 °F to 104 °F (-10 °C to 40 °C)
Operating:
0 °F to 150 °F (-18 °C to 65 °C)

Seal Type:

Environmentally sealed, IP67

Safe Overload:

150% full scale

Safe Sideload:

100% full scale

Rated Excitation:

5 to 10 VDC (15 V maximum)

Combined Error:

0.02% full scale

Insulation Resistance:

5,000 megohm

Deflection at Capacity:

5,000 lb: 0.02 in
10,000 lb: 0.025 in
20,000 lb: 0.042 in
30,000 to 50,000 lb: 0.02 in
60,000 lb: 0.025 in
100,000 lb: 0.02 in

Cable Length:

30 ft

Cable Color Code:

Red +Excitation
Black -Excitation
Green +Signal
White -Signal

Warranty:

Two-year limited

Approvals:

cFMus
NTEP 21-064



Picture is a representation of actual product.

Approvals

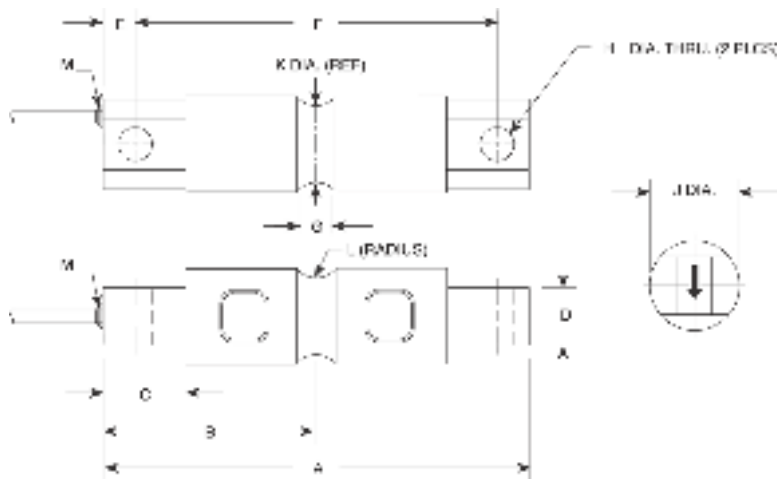


Order Information

| Load Rating | Part # | Est. Weight | Price |
|---------------------------|--------|-------------|------------|
| NTEP Certified | | | |
| 10,000 lb | 201781 | 5 lb | \$820.00 |
| 20,000 lb | 201782 | 7 lb | \$900.00 |
| 30,000 lb | 201783 | 18 lb | \$1,033.00 |
| 40,000 lb | 201784 | 18 lb | \$1,033.00 |
| 50,000 lb | 201785 | 18 lb | \$1,033.00 |
| 60,000 lb | 201786 | 18 lb | \$1,033.00 |
| 100,000 lb | 201787 | 28 lb | \$1,960.00 |
| Non-NTEP Certified | | | |
| 5,000 lb | 201780 | 5 lb | \$820.00 |
| 150,000 lb | 201788 | 34 lb | \$2,173.00 |

Dimensions

| Rated Capacity | A | B | C | D | E | F | G | H | J | K | L | M |
|------------------|-------|------|------|------|------|------|------|------|------|------|------|------------|
| lb/in | | | | | | | | | | | | |
| 5,000 to 10,000 | 8.12 | 4.06 | 1.44 | 1.12 | 0.62 | 6.88 | 0.62 | 0.66 | 1.70 | 1.48 | 0.50 | 1/4-18 NPT |
| 20,000 | 8.12 | 4.06 | 1.44 | 1.12 | 0.62 | 6.88 | 0.84 | 0.66 | 1.95 | 1.48 | 0.50 | 1/4-18 NPT |
| 30,000 to 60,000 | 10.25 | 5.12 | 1.88 | 2.37 | 0.88 | 8.50 | 1.00 | 1.06 | 3.20 | 2.73 | 1.00 | 1/2-14 NPT |
| 100,000 | 11.25 | 5.62 | 1.88 | 2.50 | 0.88 | 9.50 | 1.00 | 1.06 | 3.50 | 3.24 | 1.50 | 1/2-14 NPT |
| 150,000 | 11.25 | 5.62 | 1.88 | 2.80 | 0.88 | 9.50 | 1.25 | 1.06 | 3.90 | 3.64 | 1.50 | 1/2-14 NPT |



Interchangeable Products

VPG® REVERE
9103

Weigh Module Available

RICE LAKE WEIGHING SYSTEMS
EZ Mount 1 SS

Specifications

Full Scale Output:

3.0 mV/V

Output Resistance:

700 (± 5) ohm

Input Resistance:

700 (± 10) ohm

Material/Finish:

Stainless steel

Temperature:

Operating:
14 °F to 104 °F (-10 °C to 40 °C)

Seal Type:

Environmentally sealed, IP67

Safe Overload:

150% full scale

Safe Sideload:

100% full scale

Rated Excitation:

5 to 10 VDC

Combined Error:

0.02% full scale

Insulation Resistance:

5,000 megohm

Cable Length:

30 ft polyurethane jacket

Cable Color Code:

Red +Excitation
Black -Excitation
Green +Signal
White -Signal

Warranty:

Two-year limited

Approvals:

NTEP 21-064
cFMus

RL72020 MLC Coated

Alloy Steel, Environmentally Sealed, NTEP Certified 1:5,000 Class III/1:10,000 Class IIIIL Multiple Cell, IP67

LOAD CELLS /
WEIGH MODULES



Picture is a representation of actual product.

Approvals

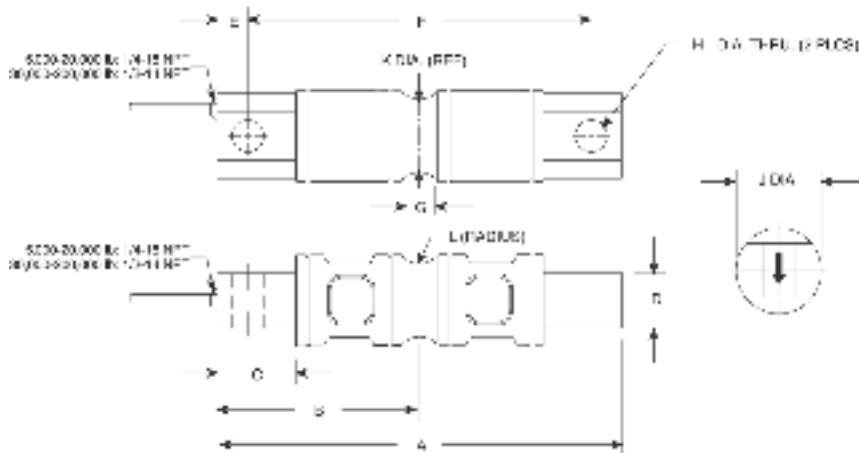


Order Information

| Load Rating | Part # | Est. Weight | Price |
|-----------------|--------|-------------|------------|
| NTEP | | | |
| 5,000 lb | 201769 | 5 lb | \$720.00 |
| 10,000 lb | 201770 | 6 lb | \$720.00 |
| 20,000 lb | 201771 | 7 lb | \$720.00 |
| 30,000 lb | 201772 | 18 lb | \$826.00 |
| 40,000 lb | 201773 | 18 lb | \$826.00 |
| 50,000 lb | 201774 | 18 lb | \$826.00 |
| 60,000 lb | 201775 | 18 lb | \$826.00 |
| 100,000 lb | 201776 | 28 lb | \$1,615.00 |
| 150,000 lb | 201777 | 34 lb | \$1,615.00 |
| 200,000 lb | 201778 | 90 lb | \$2,990.00 |
| Non-NTEP | | | |
| 250,000 lb | 201779 | 93 lb | \$2,990.00 |

Dimensions

| Rated Capacity | A | B | C | D | E | F | G | H | J | K | L |
|--------------------|-------|------|------|------|------|-------|------|------|------|------|------|
| 5,000 to 10,000 | 8.12 | 4.06 | 1.44 | 1.12 | 0.62 | 6.88 | 0.62 | 0.66 | 1.70 | 1.48 | 0.50 |
| 20,000 | 8.12 | 4.06 | 1.44 | 1.12 | 0.62 | 6.88 | 0.84 | 0.66 | 1.95 | 1.48 | 0.50 |
| 30,000 to 60,000 | 10.25 | 5.12 | 1.88 | 2.37 | 0.88 | 8.50 | 1.00 | 1.06 | 3.20 | 2.73 | 1.00 |
| 100,000 | 11.25 | 5.62 | 1.88 | 2.50 | 0.88 | 9.50 | 1.00 | 1.06 | 3.50 | 3.24 | 1.50 |
| 150,000 | 11.25 | 5.62 | 1.88 | 2.80 | 0.88 | 9.50 | 1.25 | 1.06 | 3.90 | 3.64 | 1.50 |
| 200,000 to 250,000 | 16.10 | 8.05 | 3.05 | 4.60 | 1.55 | 13.00 | 1.30 | 1.56 | 5.38 | 5.17 | 2.00 |



Interchangeable Products

VPG® REVERE

5103*

ARTECH®

70210

METTLER TOLEDO®

SLD 430

**Cells are uncoated*

Weigh Module Available

RICE LAKE WEIGHING SYSTEMS

EZ Mount 1

Specifications

Full Scale Output:

3.0 mV/V

Output Resistance:

5 to 10 k: 703 (± 4) ohm
20 to 150 k: 700 (± 5) ohm
200 to 250 k: 700 (± 5) ohm

Input Resistance:

5 to 10 k: 700 (± 14) ohm
20 to 150 k: 770 (± 10) ohm
200 to 250 k: 700 (± 14) ohm

Material/Finish:

Alloy steel, coated

Temperature:

Compensated:
14 °F to 104 °F (-10 °C to 40 °C)
Operating:
0 °F to 150 °F (-18 °C to 65 °C)

Seal Type:

Environmentally sealed, IP67

Safe Overload:

150% full scale

Safe Sideload:

100% full scale

Rated Excitation:

5 to 10 VDC (15 V maximum)

Combined Error:

0.02% full scale

Insulation Resistance:

5,000 megohm

Deflection at Capacity:

5,000 lb: 0.02 in
10,000 lb: 0.025 in
20,000 lb: 0.042 in
30,000 to 50,000 lb: 0.02 in
60,000 lb: 0.025 in
100,000 lb: 0.02 in

Cable Length:

30 ft

Cable Diameter:

5,000 to 20,000 lb: 0.200 in
30,000 to 250,000 lb: 0.305 in
Polyurethane jacket

Cable Color Code:

Red +Excitation
Black -Excitation
Green +Signal
White -Signal

Warranty:

Two-year limited

Approvals:

cFMus
NTEP 21-064



Picture is a representation of actual product.

Approvals

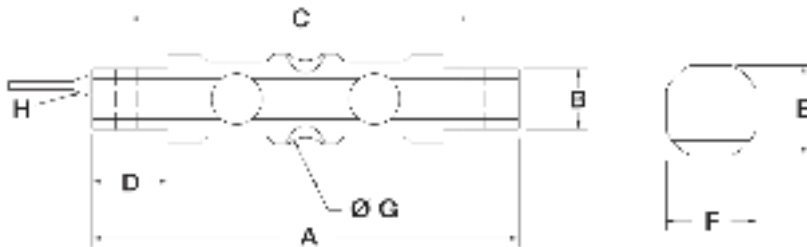


Order Information

| Load Rating | Part # | Est. Weight | Price |
|-------------|--------|-------------|------------|
| 5,000 lb | 194021 | 5 lb | \$1,160.00 |
| 10,000 lb | 194022 | 5 lb | \$1,160.00 |
| 20,000 lb | 194023 | 5 lb | \$1,160.00 |
| 30,000 lb | 194024 | 20 lb | \$1,585.00 |
| 40,000 lb | 194025 | 20 lb | \$1,585.00 |
| 50,000 lb | 194026 | 20 lb | \$1,585.00 |
| 60,000 lb | 194027 | 20 lb | \$1,585.00 |

Dimensions

| Rated Capacity | A | B | C | D | E | F | ØG | H |
|------------------|-------|------|------|------|------|------|------|------------|
| lb/in | | | | | | | | |
| 5,000 to 20,000 | 8.12 | 1.14 | 6.88 | 1.44 | 1.71 | 1.71 | 1.00 | 1/4-18 NPT |
| 30,000 to 60,000 | 10.25 | 2.38 | 8.50 | 1.88 | 3.03 | 3.03 | 2.00 | 1/2-14 NPT |



Interchangeable Products

VPG® REVERE
9103

Weigh Module Available

RICE LAKE WEIGHING SYSTEMS
EZ Mount 1 SS

Specifications

- Full Scale Output:**
3.0 mV/V
- Output Resistance:**
700 (± 5) ohm
- Input Resistance:**
800 (± 30) ohm
- Material/Finish:**
Stainless steel
- Temperature:**
Operating:
0 °F to 150 °F (-18 °C to 65 °C)
- Seal Type:**
Welded-seal, IP68
- Safe Overload:**
150% full scale
- Rated Excitation:**
5 to 10 VDC
- Nonlinearity:**
0.03% full scale
- Hysteresis:**
0.5% full scale
- Insulation Resistance:**
5,000 megohm
- Cable Length:**
25 ft
- Cable Color Code:**
Red +Excitation
Black -Excitation
Green +Signal
White -Signal
- Warranty:**
Two-year limited
- Approvals:**
cFMus
NTEP 21-064

RL77032

Alloy Steel, Environmentally Sealed, IP67

LOAD CELLS /
WEIGH MODULES



Picture is a representation of actual product.

Approvals

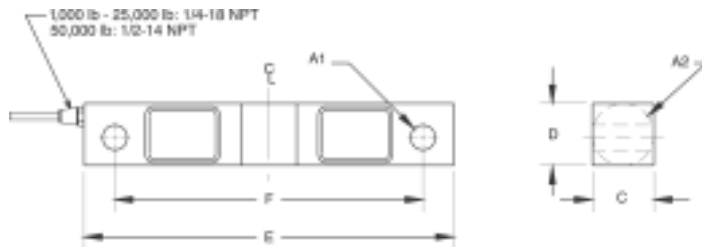


Order Information

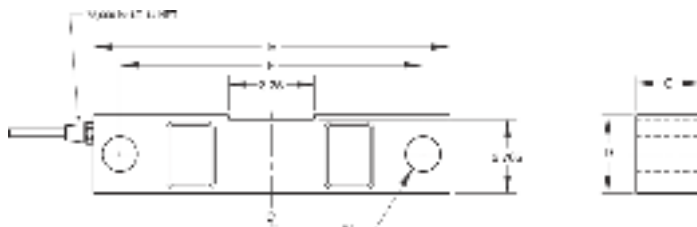
| Load Rating | Part # | Est. Weight | Price |
|-------------|--------|-------------|----------|
| 1,000 lb | 221536 | 4 lb | \$555.00 |
| 1,500 lb | 221537 | 4 lb | \$555.00 |
| 2,000 lb | 221538 | 4 lb | \$555.00 |
| 2,500 lb | 221539 | 4 lb | \$555.00 |
| 3,000 lb | 221540 | 4 lb | \$555.00 |
| 5,000 lb | 221541 | 4 lb | \$555.00 |
| 10,000 lb | 221542 | 7 lb | \$635.00 |
| 15,000 lb | 221543 | 7 lb | \$635.00 |
| 20,000 lb | 221544 | 7 lb | \$635.00 |
| 25,000 lb | 221545 | 7 lb | \$635.00 |
| 50,000 lb | 221546 | 25 lb | \$980.00 |
| 75,000 lb | 221547 | 27 lb | \$980.00 |

Dimensions

| Rated Capacity lb/in | A1 | A2 | C | D | E | F |
|-------------------------|------|------|------|------|-------|-------|
| 1,000 to 50,000 | 0.50 | 1.25 | 1.25 | 1.25 | 7.50 | 6.25 |
| 10,000 to 25,000 | 0.81 | 1.99 | 1.44 | 1.94 | 8.75 | 7.50 |
| 50,000 | 1.31 | 3.00 | 2.44 | 2.94 | 13.50 | 11.50 |
| 75,000 | 1.31 | - | 2.44 | 2.94 | 13.50 | 11.50 |



1,000-50,000lb



75,000lb

Interchangeable Products

RICE LAKE WEIGHING SYSTEMS

RL75016

VPG® SENSORTRONICS®

65016

Weigh Module Available

RICE LAKE WEIGHING SYSTEMS

RL1600 Series

Specifications

Full Scale Output:

3.0 mV/V

Output Resistance:

700 (± 5) ohm

Input Resistance:

770 (± 10) ohm

Material/Finish:

High-alloy steel, nickel plated

Temperature:

Operating:
0 °F to 150 °F (-18 °C to 65 °C)

Seal Type:

Environmentally sealed, IP67

Safe Overload:

150% full scale

Safe Sideload:

100% full scale

Rated Excitation:

5 to 10 VDC

Nonlinearity:

0.03% full scale

Hysteresis:

0.02% full scale

Deflection at Capacity:

1,000 to 2,500 lb: 0.01 in
5,000 lb: 0.015 in
10,000 to 20,000 lb: 0.022 in
25,000 lb: 0.036 in
50,000 lb: 0.052 in
75,000 lb: 0.07 in

Insulation Resistance:

5,000 megohm

Cable Length:

25 ft
Polyurethane jacket

Cable Color Code:

Red +Excitation
Black -Excitation
Green +Signal
White -Signal

Warranty:

Two-year limited

Approvals:

cFMus



Picture is a representation of actual product.

Approvals

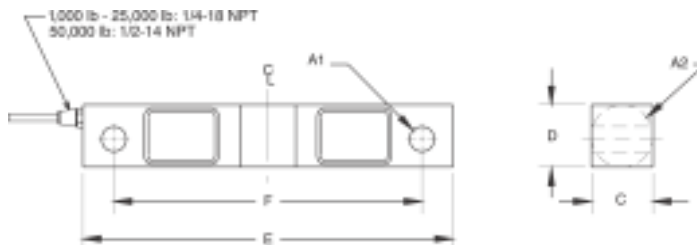


Order Information

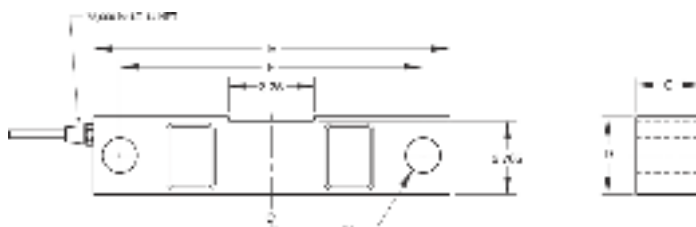
| Load Rating | Part # | Est. Weight | Price |
|-------------|--------|-------------|------------|
| 1,000 lb | 221548 | 4 lb | \$580.00 |
| 1,500 lb | 221549 | 4 lb | \$580.00 |
| 2,000 lb | 221550 | 4 lb | \$580.00 |
| 2,500 lb | 221551 | 4 lb | \$580.00 |
| 5,000 lb | 221552 | 4 lb | \$580.00 |
| 10,000 lb | 221553 | 7 lb | \$660.00 |
| 15,000 lb | 221554 | 7 lb | \$660.00 |
| 20,000 lb | 221555 | 7 lb | \$660.00 |
| 25,000 lb | 221556 | 7 lb | \$660.00 |
| 50,000 lb | 221557 | 25 lb | \$1,298.00 |
| 75,000 lb | 221558 | 27 lb | \$1,298.00 |

Dimensions

| Rated Capacity | A1 | A2 | C | D | E | F |
|------------------|------|------|------|------|-------|-------|
| lb/in | | | | | | |
| 1,000 to 50,000 | 0.50 | 1.25 | 1.25 | 1.25 | 7.50 | 6.25 |
| 10,000 to 25,000 | 0.81 | 1.99 | 1.44 | 1.94 | 8.75 | 7.50 |
| 50,000 | 1.31 | 3.00 | 2.44 | 2.94 | 13.50 | 11.50 |
| 75,000 | 1.31 | - | 2.44 | 2.94 | 13.50 | 11.50 |



1,000-50,000lb



75,000lb

Interchangeable Products

RICE LAKE WEIGHING SYSTEMS

RL75016SS

RICE LAKE WEIGHING SYSTEMS

RL77032SS HE

RICE LAKE WEIGHING SYSTEMS

RL75016S-W

VPG® SENSORTRONICS®

65016

Weigh Module Available

RICE LAKE WEIGHING SYSTEMS

RL1600 Series

Specifications

Full Scale Output:
3.0 mV/V

Output Resistance:
700 (± 5) ohm

Input Resistance:
770 (± 10) ohm

Material/Finish:
Stainless steel

Temperature:
Operating:
0 °F to 150 °F (-18 °C to 65 °C)

Seal Type:
Environmentally sealed, IP67

Safe Overload:
150% full scale

Safe Sideload:
100% full scale

Rated Excitation:
5 to 10 VDC

Nonlinearity:
0.07% full scale

Hysteresis:
0.02% full scale

Deflection at Capacity:
1,000 to 2,500 lb: 0.01 in
5,000 lb: 0.015 in
10,000 to 20,000 lb: 0.022 in
25,000 lb: 0.036 in
50,000 lb: 0.052 in
75,000 lb: 0.07 in

Insulation Resistance:
5,000 megohm

Cable Length:
25 ft
Polyurethane

Cable Color Code:
Red +Excitation
Black -Excitation
Green +Signal
White -Signal

Warranty:
Two-year limited

Approvals:
cFMus

RL77032SS HE

Stainless Steel, Hermetically Sealed, IP69K

LOAD CELLS / WEIGH MODULES



Picture is a representation of actual product.

Approvals

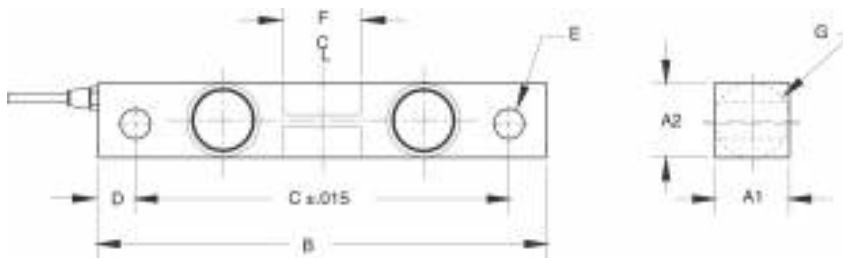


Order Information

| Load Rating | Part # | Est. Weight | Price |
|-------------|--------|-------------|----------|
| 1,000 lb | 221559 | 4 lb | \$735.00 |
| 1,500 lb | 221560 | 4 lb | \$735.00 |
| 2,000 lb | 221561 | 4 lb | \$735.00 |
| 2,500 lb | 221562 | 4 lb | \$735.00 |
| 5,000 lb | 221563 | 4 lb | \$735.00 |
| 10,000 lb | 221564 | 7 lb | \$830.00 |
| 15,000 lb | 221565 | 7 lb | \$830.00 |
| 20,000 lb | 221566 | 7 lb | \$830.00 |
| 25,000 lb | 221567 | 7 lb | \$830.00 |

Dimensions

| Rated Capacity | A1 | A2 | B | C | D | E | F | G | CONDUIT ADAPTER |
|------------------|------|------|------|------|------|------|------|------|-----------------|
| lb/in | | | | | | | | | |
| 1,000 to 5,000 | 1.22 | 1.22 | 7.50 | 6.25 | 0.62 | 0.50 | 1.12 | 1.25 | 1/2-14 NPT |
| 10,000 to 25,000 | 1.44 | 1.94 | 8.75 | 7.50 | 0.62 | 0.81 | 1.62 | 1.99 | 1/2-14 NPT |



Interchangeable Products

RICE LAKE WEIGHING SYSTEMS
RL75016WHE
 VPG® SENSORTRONICS®
65016WH

Weigh Module Available

RICE LAKE WEIGHING SYSTEMS
RL1600 Series

Specifications

- Full Scale Output:**
3.0 mV/V
- Output Resistance:**
700 (± 5) ohm
- Input Resistance:**
770 (± 10) ohm
- Material/Finish:**
Stainless steel
- Temperature:**
Operating:
0 °F to 150 °F (-18 °C to 65 °C)
- Seal Type:**
Hermetically sealed, IP69K
- Safe Overload:**
150% full scale
- Safe Sideload:**
100% full scale
- Rated Excitation:**
5 to 10 VDC
- Nonlinearity:**
0.03% full scale
- Hysteresis:**
0.02% full scale
- Deflection at Capacity:**
1,000 lb: 0.01 in
5,000 lb: 0.015 in
10,000 to 20,000 lb: 0.022 in
25,000 lb: 0.036 in
50,000 lb: 0.052 in
75,000 lb: 0.07 in
- Insulation Resistance:**
5,000 megohm
- Cable Length:**
25 ft
Polyurethane jacket
- Cable Color Code:**
Red +Excitation
Black -Excitation
Green +Signal
White -Signal
- Warranty:**
Two-year limited
- Approvals:**
cFMus

Limited Stock Available

DOUBLE-ENDED BEAM

RL75016

Alloy Steel, Environmentally Sealed, IP67

LOAD CELLS / WEIGH MODULES



Picture is a representation of actual product.

Approvals



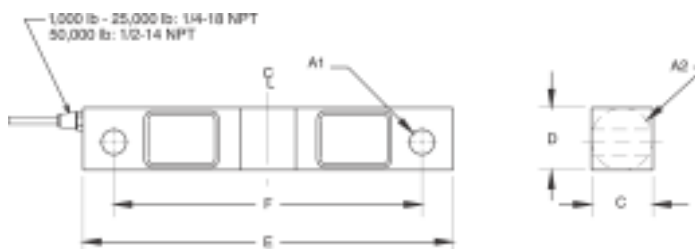
Order Information

| Load Rating | Part # | Est. Weight | Price |
|-------------|--------|-------------|----------|
| 1,000 lb | 17300 | 4 lb | \$556.00 |
| 1,500 lb | 17302 | 4 lb | \$556.00 |
| 2,000 lb | 17304 | 4 lb | \$556.00 |
| 2,500 lb | 17306 | 4 lb | \$556.00 |
| 3,000 lb | 17308 | 4 lb | \$556.00 |
| 5,000 lb | 17309 | 4 lb | \$556.00 |
| 10,000 lb | 17311 | 7 lb | \$636.00 |
| 15,000 lb | 17313 | 7 lb | \$636.00 |
| 20,000 lb | 17315 | 7 lb | \$636.00 |
| 25,000 lb | 17317 | 7 lb | \$636.00 |
| 50,000 lb | 17319 | 25 lb | \$980.00 |
| 75,000 lb* | 25357 | 27 lb | \$980.00 |

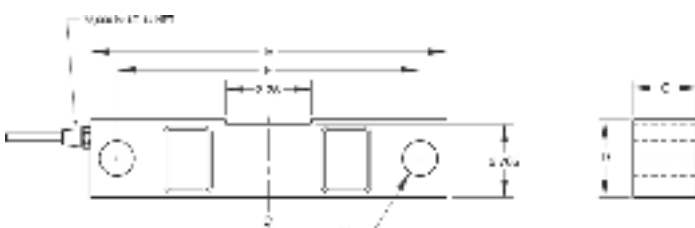
*75,000lb capacity has a square center

Dimensions

| Rated Capacity | A1 | A2 | C | D | E | F |
|------------------|------|------|------|------|-------|-------|
| lb/in | | | | | | |
| 1,000 to 5,000 | 0.50 | 1.25 | 1.25 | 1.25 | 7.50 | 6.25 |
| 10,000 to 25,000 | 0.81 | 1.99 | 1.44 | 1.94 | 8.75 | 7.50 |
| 50,000 | 1.31 | 3.00 | 2.44 | 2.94 | 13.50 | 11.50 |
| 75,000 | 1.31 | — | 2.44 | 2.94 | 13.50 | 11.50 |



1,000-50,000lb



75,000lb

Interchangeable Products

RICE LAKE WEIGHING SYSTEMS

RL77032

VPG® CELTRON®

DSR

VPG® SENSORTRONICS®

65016

VPG® REVERE

5203

Weigh Module Available

RICE LAKE WEIGHING SYSTEMS

RL1600 Series

Specifications

Full Scale Output:

3.0 mV/V

Output Resistance:

700 (± 5) ohm

Input Resistance:

770 (± 10) ohm

Material/Finish:

High-alloy steel, nickel plated

Temperature:

Operating:
0 °F to 150 °F (-18 °C to 65 °C)

Seal Type:

Environmentally sealed, IP67

Safe Overload:

150% full scale

Safe Sideload:

100% full scale

Rated Excitation:

5 to 10 VDC (15 V maximum)

Nonlinearity:

0.03% full scale

Hysteresis:

0.02% full scale

Insulation Resistance:

5,000 megohm

Deflection at Capacity:

1,000 to 3,000 lb: 0.01 in
5,000 lb: 0.015 in
10,000 to 20,000 lb: 0.022 in
25,000 lb: 0.036 in
50,000 lb: 0.052 in
75,000 lb: 0.07 in

Cable Length:

25 ft

Cable Diameter:

1,000 to 25,000 lb: 0.200 in
50,000 to 75,000 lb: 0.305 in
Polyurethane jacket

Cable Color Code:

Red +Excitation
Black -Excitation
Green +Signal
White -Signal

Warranty:

Two-year limited

Approvals:

cFMus

RL75016 MLC Coated

Alloy Steel, Environmentally Sealed, IP67

LOAD CELLS /
WEIGH MODULES



Picture is a representation of actual product.

Approvals



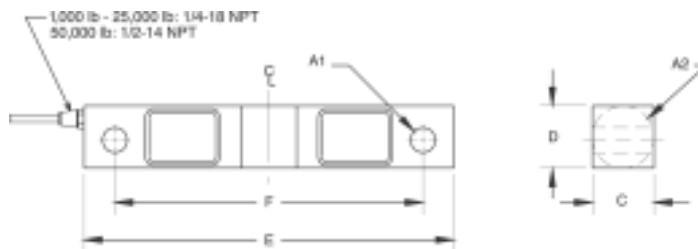
Order Information

| Load Rating | Part # | Est. Weight | Price |
|-------------|--------|-------------|------------|
| 1,000 lb | 187058 | 4 lb | \$583.00 |
| 1,500 lb | 187059 | 4 lb | \$583.00 |
| 2,000 lb | 187060 | 4 lb | \$583.00 |
| 2,500 lb | 187061 | 4 lb | \$583.00 |
| 3,000 lb | 187062 | 4 lb | \$583.00 |
| 5,000 lb | 187063 | 4 lb | \$583.00 |
| 10,000 lb | 187064 | 7 lb | \$662.00 |
| 15,000 lb | 187065 | 7 lb | \$662.00 |
| 20,000 lb | 187066 | 7 lb | \$662.00 |
| 25,000 lb | 187067 | 7 lb | \$662.00 |
| 50,000 lb | 187068 | 25 lb | \$1,007.00 |
| 75,000 lb* | 187069 | 27 lb | \$1,007.00 |

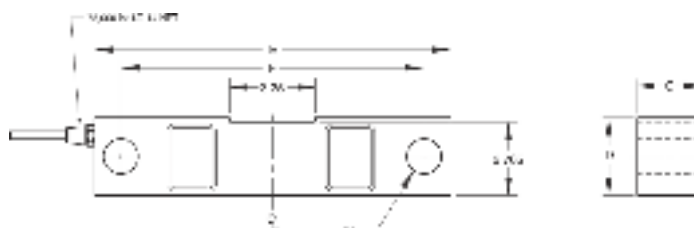
*75,000lb capacity has a square center

Dimensions

| Rated Capacity | A1 | A2 | C | D | E | F |
|------------------|------|------|------|------|-------|-------|
| lb/in | | | | | | |
| 1,000 to 5,000 | 0.50 | 1.25 | 1.25 | 1.25 | 7.50 | 6.25 |
| 10,000 to 25,000 | 0.81 | 1.99 | 1.44 | 1.94 | 8.75 | 7.50 |
| 50,000 | 1.31 | 3.00 | 2.44 | 2.94 | 13.50 | 11.50 |
| 75,000 | 1.31 | — | 2.44 | 2.94 | 13.50 | 11.50 |



1,000 to 50,000lb



75,000lb

Interchangeable Products

RICE LAKE WEIGHING SYSTEMS

RL75016* (Alloy)

VPG® CELTRON®

DSR* (Alloy)

VPG® SENSORTRONICS®

65016* (Alloy)

Weigh Module Available

RICE LAKE WEIGHING SYSTEMS

RL1600 Series

*Cells are uncoated

Specifications

Full Scale Output:

3.0 mV/V

Output Resistance:

700 (± 5) ohm

Input Resistance:

770 (± 10) ohm

Material/Finish:

Alloy steel, coated

Temperature:

Operating:

0 °F to 150 °F (-18 °C to 65 °C)

Seal Type:

Environmentally sealed, IP67

Safe Overload:

150% full scale

Safe Sideload:

100% full scale

Rated Excitation:

5 to 10 VDC (15 V maximum)

Nonlinearity:

0.03% full scale

Hysteresis:

0.02% full scale

Insulation Resistance:

5,000 megohm

Cable Length:

25 ft

Cable Color Code:

Red +Excitation

Black -Excitation

Green +Signal

White -Signal

Warranty:

Two-year limited

Approvals:

cFMus

Limited Stock Available

DOUBLE-ENDED BEAM
RL75016SS

Stainless Steel, Environmentally Sealed, IP67

LOAD CELLS / WEIGH MODULES



Picture is a representation of actual product.

Approvals



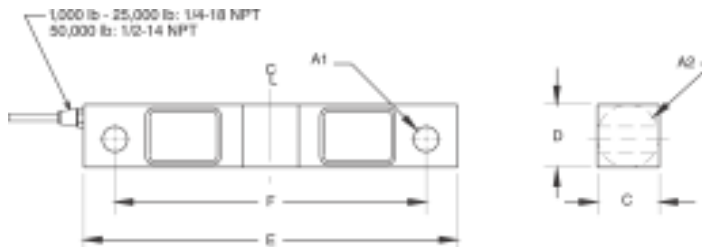
Order Information

| Load Rating | Part # | Est. Weight | Price |
|-------------|--------|-------------|------------|
| 1,000 lb | 17301 | 4 lb | \$583.00 |
| 1,500 lb | 17303 | 4 lb | \$583.00 |
| 2,000 lb | 17305 | 4 lb | \$583.00 |
| 2,500 lb | 17307 | 4 lb | \$583.00 |
| 5,000 lb | 17310 | 4 lb | \$583.00 |
| 10,000 lb | 17312 | 7 lb | \$662.00 |
| 15,000 lb | 17314 | 7 lb | \$662.00 |
| 20,000 lb | 17316 | 7 lb | \$662.00 |
| 25,000 lb | 17318 | 7 lb | \$662.00 |
| 50,000 lb | 17320 | 25 lb | \$1,298.00 |
| 75,000 lb* | 25356 | 27 lb | \$1,298.00 |

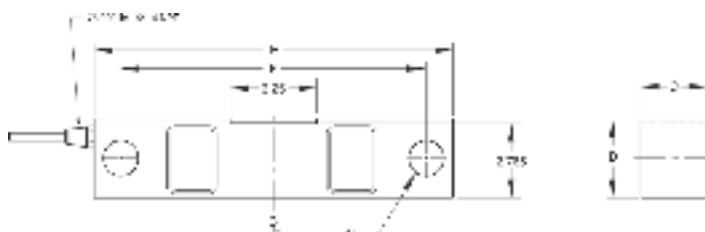
*75,000lb capacity has a square center

Dimensions

| Rated Capacity | A1 | A2 | C | D | E | F |
|------------------|------|------|------|------|-------|-------|
| lb/in | | | | | | |
| 1,000 to 5,000 | 0.50 | 1.25 | 1.25 | 1.25 | 7.50 | 6.25 |
| 10,000 to 25,000 | 0.81 | 1.99 | 1.44 | 1.94 | 8.75 | 7.50 |
| 50,000 | 1.31 | 3.00 | 2.44 | 2.94 | 13.50 | 11.50 |
| 75,000 | 1.31 | — | 2.44 | 2.94 | 13.50 | 11.50 |



1,000 to 50,000lb



75,000lb

Interchangeable Products

RICE LAKE WEIGHING SYSTEMS

RL77032SS

RICE LAKE WEIGHING SYSTEMS

RL75016WHE*

VPG® SENSORTRONICS®

65016W

VPG SENSORTRONICS

65016WH*

VPG® REVERE

9203

Weigh Module Available

RICE LAKE WEIGHING SYSTEMS

RL1600 Series

Specifications

Full Scale Output:

3.0 mV/V

Output Resistance:

700 (± 5) ohm

Input Resistance:

770 (± 10) ohm

Material/Finish:

Stainless steel

Temperature:

Operating:
0 °F to 150 °F (-18 °C to 65 °C)

Seal Type:

Environmentally sealed, IP67

Safe Overload:

150% full scale

Safe Sideload:

100% full scale

Rated Excitation:

5 to 10 VDC (15 V maximum)

Nonlinearity:

0.07% full scale

Hysteresis:

0.02% full scale

Insulation Resistance:

5,000 megohm

Deflection at Capacity:

1,000 to 3,000 lb: 0.01 in
5,000 lb: 0.015 in
10,000 to 20,000 lb: 0.022 in
25,000 lb: 0.036 in
50,000 lb: 0.052 in
75,000 lb: 0.07 in

Cable Length:

25 ft

Cable Diameter:

1,000 to 25,000 lb: 0.200 in
50,000 to 75,000 lb: 0.305 in
Polyurethane jacket

Cable Color Code:

Red +Excitation
Black -Excitation
Green +Signal
White -Signal

Warranty:

Two-year limited

Approvals:

cFMus

RL75016SS-W

Stainless Steel, Welded Seal, IP67

LOAD CELLS /
WEIGH MODULES



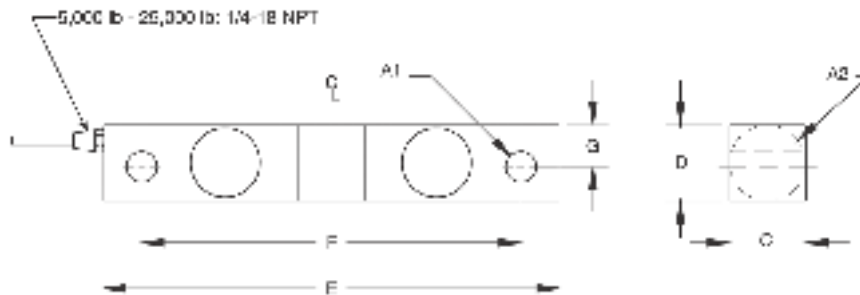
Picture is a representation of actual product.

Order Information

| Load Rating | Part # | Est. Weight | Price |
|-------------|--------|-------------|----------|
| 5,000 lb | 168115 | 4 lb | \$630.00 |
| 10,000 lb | 168116 | 7 lb | \$715.00 |
| 15,000 lb | 168117 | 7 lb | \$715.00 |
| 20,000 lb | 168118 | 7 lb | \$715.00 |
| 25,000 lb | 168119 | 7 lb | \$715.00 |

Dimensions

| Rated Capacity | A1 | A2 | C | D | E | F | G |
|------------------|------|------|------|------|------|------|------|
| lb/in | | | | | | | |
| 5,000 | 0.50 | 1.25 | 1.25 | 1.25 | 7.50 | 6.25 | 0.69 |
| 10,000 to 25,000 | 0.81 | 1.99 | 1.44 | 1.94 | 8.75 | 7.50 | 0.96 |



Interchangeable Products

RICE LAKE WEIGHING SYSTEMS

RL77032SS HE

RICE LAKE WEIGHING SYSTEMS

RL75016SS

RICE LAKE WEIGHING SYSTEMS

RL75016WHE

Specifications

Full Scale Output:

3.0 mV/V

Output Resistance:

700 (± 5) ohm

Input Resistance:

770 (± 10) ohm

Material/Finish:

Stainless steel

Temperature:

Operating:

0 °F to 150 °F (-18 °C to 65 °C)

Seal Type:

Welded-seal, IP67

Safe Overload:

100% full scale

Rated Excitation:

5 to 10 VDC (15 V max)

Hysteresis:

0.02% full scale

Linearity:

0.03% full scale

Cable Length:

25 ft

Cable Color Code:

Red +Excitation

Black -Excitation

Green +Signal

White -Signal

Warranty:

Two-year limited

Limited Stock Available

DOUBLE-ENDED BEAM RL75016WHE

Stainless Steel, Hermetically Sealed, IP69K

LOAD CELLS / WEIGH MODULES



Picture is a representation of actual product.

Approvals

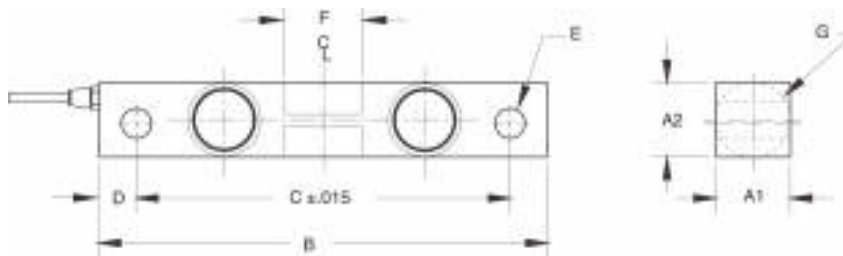


Order Information

| Load Rating | Part # | Est. Weight | Price |
|-------------|--------|-------------|----------|
| 1,000 lb | 67043 | 4 lb | \$736.00 |
| 1,500 lb | 67044 | 4 lb | \$736.00 |
| 2,000 lb | 67045 | 4 lb | \$736.00 |
| 2,500 lb | 67046 | 4 lb | \$736.00 |
| 5,000 lb | 67047 | 4 lb | \$736.00 |
| 10,000 lb | 67048 | 7 lb | \$832.00 |
| 15,000 lb | 67049 | 7 lb | \$832.00 |
| 20,000 lb | 67050 | 7 lb | \$832.00 |
| 25,000 lb | 67051 | 7 lb | \$832.00 |

Dimensions

| Rated Capacity | A1 | A2 | B | C | D | E | F | G | CONDUIT ADAPTER |
|------------------|------|------|------|------|------|------|------|------|-----------------|
| 1,000 to 5,000 | 1.22 | 1.22 | 7.50 | 6.25 | 0.62 | 0.50 | 1.12 | 1.25 | 1/2-14 NPT |
| 10,000 to 25,000 | 1.44 | 1.94 | 8.75 | 7.50 | 0.62 | 0.81 | 1.62 | 1.99 | 1/2-14 NPT |



Interchangeable Products

RICE LAKE WEIGHING SYSTEMS

RL77032SS HE

RICE LAKE WEIGHING SYSTEMS

RL75016SS*

RICE LAKE WEIGHING SYSTEMS

RL75016SS-W*

VPG® SENSORTRONICS®

65016W*

VPG SENSORTRONICS

65016WH

Weigh Module Available

RICE LAKE WEIGHING SYSTEMS

RL1600 Series

**Welded seal*

Specifications

Full Scale Output:

3.0 mV/V

Output Resistance:

699 to 707 ohm

Input Resistance:

686 to 714 ohm

Material/Finish:

Stainless steel

Temperature:

Operating range
0 °F to 150 °F (-18 °C to 65 °C)

Seal Type:

Hermetically sealed, IP69K

Safe Overload:

150% full scale

Safe Sideload:

100% full scale

Rated Excitation:

5 to 10 VDC (15 V maximum)

Insulation Resistance:

2,000 megohm

Cable Length:

25 ft

Cable Diameter:

0.200 in
Polyurethane jacket

Cable Color Code:

Red +Excitation
Black -Excitation
Green +Signal
White -Signal

Warranty:

Two-year limited

Approvals:

cFMus

RL75058I for Rice Lake Coil Scale

Alloy Steel, Environmentally Sealed, NTEP Certified 1:5,000 Class III Multiple Cell, IP67

LOAD CELLS /
WEIGH MODULES



Picture is a representation of actual product.

Approvals

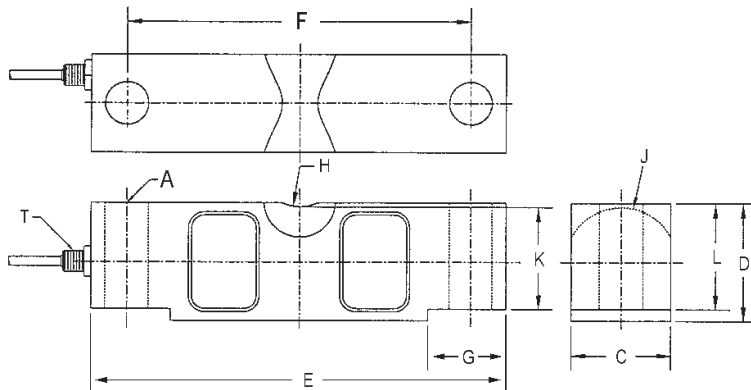


Order Information

| Load Rating | Part # | Est. Weight | Price |
|-------------|--------|-------------|----------|
| 20,000 lb | 121439 | 8 lb | \$673.00 |
| 25,000 lb | 121440 | 8 lb | \$673.00 |
| 40,000 lb | 121441 | 13 lb | \$805.00 |
| 50,000 lb | 121442 | 19 lb | \$885.00 |
| 60,000 lb | 121443 | 19 lb | \$885.00 |
| 75,000 lb | 121444 | 19 lb | \$885.00 |

Dimensions

| Rated Capacity | A | C | D | E | F | G | H | J | K | L | T |
|------------------|------|------|------|-------|------|------|------|------|------|------|------------|
| lb/in | | | | | | | | | | | |
| 20,000 to 25,000 | 0.68 | 1.69 | 1.94 | 7.75 | 6.50 | 1.38 | 0.75 | 0.90 | 1.63 | 1.70 | 1/4-18 NPT |
| 40,000 | 0.81 | 1.94 | 2.44 | 10.25 | 8.50 | 1.93 | 1.00 | 1.12 | 2.00 | 2.10 | 1/4-18 NPT |
| 50,000 to 75,000 | 1.06 | 2.44 | 2.94 | 10.25 | 8.50 | 1.93 | 1.00 | 1.37 | 2.54 | 2.65 | 1/2-14 NPT |



Specifications

- Full Scale Output:**
3.0 mV/V
- Output Resistance:**
699 to 707 ohm
- Input Resistance:**
686 to 714 ohm
- Material/Finish:**
High-alloy steel, nickel plated
- Temperature:**
Compensated:
14 °F to 104 °F/-10 °C to 40 °C
Operating:
0 °F to 150 °F/-18 °C to 65 °C
- Seal Type:**
Environmentally sealed, IP67
- Safe Overload:**
150% full scale
- Safe Sideload:**
100% full scale
- Rated Excitation:**
5 to 10 VDC (15 V maximum)
- Combined Error:**
0.02% full scale
- Insulation Resistance:**
5,000 megohm
- Cable Length:**
35 ft
- Cable Diameter:**
20,000 lb: 0.200 in
40,000 to 75,000 lb: 0.305 in
Polyurethane jacket
- Cable Color Code:**
Red +Excitation
Black -Excitation
Green +Signal
White -Signal
- Warranty:**
Two-year limited
- Approvals:**
cFMus
NTEP 98-143



Alloy Steel, Environmentally Sealed, NTEP Certified 1:10,000 Class III Multiple Cell, IP67

DOUBLE-ENDED BEAM RL75058-LP



Picture is a representation of actual product.

Approvals



Order Information

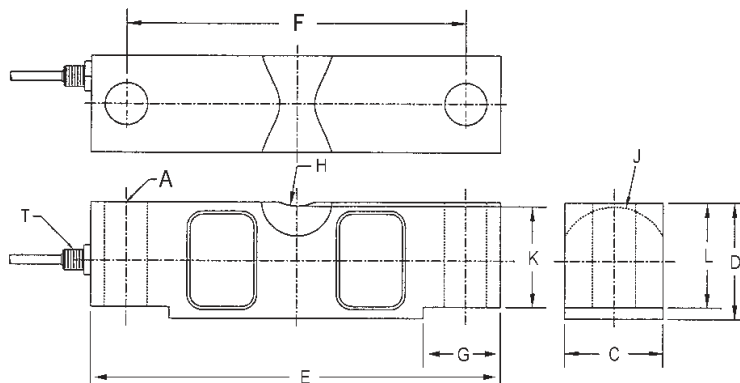
| Load Rating | Part # | Est. Weight | Price |
|---------------------------------------|--------|-------------|------------|
| NTEP Certified 35 ft Cable | | | |
| 20,000 lb | 197770 | 8 lb | \$673.00 |
| 25,000 lb | 197771 | 8 lb | \$673.00 |
| 40,000 lb | 197772 | 13 lb | \$805.00 |
| 50,000 lb | 197773 | 19 lb | \$885.00 |
| 60,000 lb | 197774 | 19 lb | \$885.00 |
| 75,000 lb | 197775 | 19 lb | \$885.00 |
| 100,000 lb | 197776 | 40 lb | \$1,669.00 |
| 125,000 lb | 197777 | 40 lb | \$1,669.00 |
| Non-NTEP Certified 35 ft Cable | | | |
| 10,000 lb | 197769 | 8 lb | \$652.00 |
| NTEP Certified 60 ft Cable | | | |
| 50,000 lb | 197778 | 20 lb | \$995.00 |
| 75,000 lb** | 197781 | 20 lb | \$995.00 |
| 75,000 lb* | 197782 | 20 lb | \$1,100.00 |
| 125,000 lb | 197779 | 40 lb | \$1,800.00 |
| NTEP Certified 100 ft Cable | | | |
| 75,000 lb | 197780 | 22 lb | \$1,100.00 |

*Stainless steel overbraid cable

**Used in Rice Lake truck scales

Dimensions

| Rated Capacity | A | C | D | E | F | G | H | J | K | L | T |
|--------------------|------|------|------|-------|-------|------|------|------|------|------|------------|
| 10,000 to 25,000 | 0.68 | 1.69 | 1.94 | 7.75 | 6.50 | 1.38 | 0.75 | 0.90 | 1.63 | 1.70 | 1/4-18 NPT |
| 40,000 | 0.81 | 1.94 | 2.44 | 10.25 | 8.50 | 1.93 | 1.00 | 1.12 | 2.00 | 2.10 | 1/4-18 NPT |
| 50,000 to 75,000 | 1.06 | 2.44 | 2.94 | 10.25 | 8.50 | 1.93 | 1.00 | 1.37 | 2.54 | 2.65 | 1/2-14 NPT |
| 100,000 to 125,000 | 1.62 | 2.90 | 3.86 | 15.25 | 12.75 | 3.13 | 1.50 | 1.80 | 3.30 | 3.43 | 1/2-14 NPT |



Interchangeable Products

VPG® SENSORTRONICS®

65058A

VPG® CELTRON®

CLB

ARTECH®

70210

ARTECH®

70310

Weigh Module Available

RICE LAKE WEIGHING SYSTEMS

RL2100HE

RICE LAKE WEIGHING SYSTEMS

MVS

Specifications

Full Scale Output:

3.0 mV/V

Output Resistance:

700 (± 5) ohm

Input Resistance:

770 (± 10) ohm

Material/Finish:

High-alloy steel, nickel plated

Temperature:

Compensated:

14 °F to 104 °F (-10 °C to 40 °C)

Operating:

0 °F to 150 °F (-18 °C to 65 °C)

Seal Type:

Environmentally sealed, IP67

Safe Overload:

150% full scale

Safe Sideload:

100% full scale

Rated Excitation:

5 to 10 VDC (15 V maximum)

Combined Error:

0.02% full scale

Insulation Resistance:

5,000 megohm

Cable Length:

35 ft

60 ft

100 ft

Cable Diameter:

10,000 to 25,000 lb: 0.200 in

40,000 to 125,000 lb: 0.305 in

Polyurethane jacket

Cable Color Code:

Red +Excitation

Black -Excitation

Green +Signal

White -Signal

Warranty:

Two-year limited

Approvals:

cFMus

NTEP 20-081

LOAD CELLS /
WEIGH MODULES

RL75058S-LP

Stainless Steel, Hermetically Sealed, NTEP Certified 1:10,000 Class IIII Multiple Cell, IP68/69K



LOAD CELLS / WEIGH MODULES



Picture is a representation of actual product.

Approvals

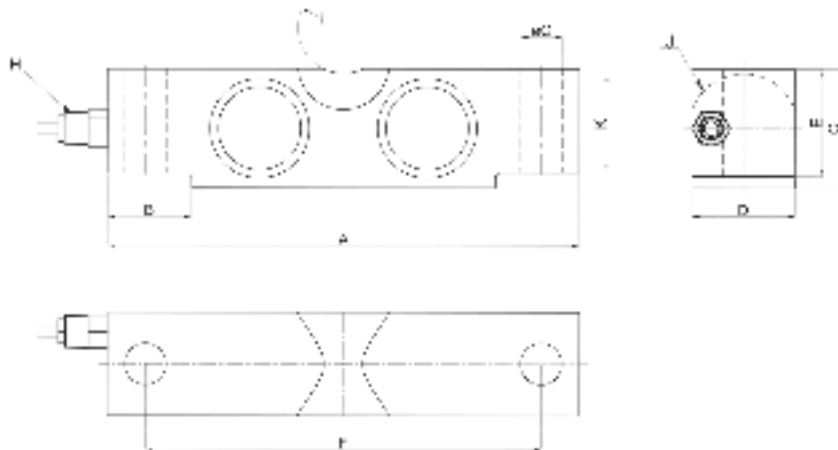


Order Information

| Load Rating | Part # | Est. Weight | Price |
|---------------------------------------|--------|-------------|------------|
| NTEP Certified 35 ft Cable | | | |
| 20,000 lb | 197797 | 8 lb | \$927.00 |
| 25,000 lb | 197798 | 8 lb | \$927.00 |
| 40,000 lb | 198430 | 13 lb | \$1,160.00 |
| 50,000 lb | 197799 | 19 lb | \$1,160.00 |
| 60,000 lb | 197800 | 19 lb | \$1,160.00 |
| 75,000 lb | 197801 | 19 lb | \$1,160.00 |
| 100,000 lb | 197803 | 40 lb | \$1,895.00 |
| 125,000 lb | 197804 | 40 lb | Consult |
| Non-NTEP Certified 35 ft Cable | | | |
| 10,000 lb | 197796 | 8 lb | \$864.00 |
| NTEP Certified 60 ft Cable | | | |
| 75,000 lb | 197802 | 20 lb | \$1,240.00 |

Dimensions

| Rated Capacity | A | B | C | D | E | F | ØG | H | I | J | K |
|------------------------|-------|------|------|------|------|-------|------|------------|-------|-------|------|
| 10,000 to 25,000 lb/in | 7.75 | 1.38 | 1.94 | 1.69 | 1.70 | 6.50 | 0.68 | 1/4-18 NPT | R19.1 | R22.9 | 1.63 |
| 40,000 | 10.25 | 1.93 | 2.44 | 1.94 | 2.10 | 8.50 | 0.81 | 1/4-18 NPT | R25.4 | R28.5 | 2.00 |
| 50,000 to 75,000 | 10.25 | 1.93 | 2.94 | 2.44 | 2.65 | 8.50 | 1.06 | 1/2-14 NPT | R25.4 | R34.8 | 2.54 |
| 100,000 to 125,000 | 15.25 | 3.13 | 3.86 | 2.90 | 3.43 | 12.75 | 1.62 | 1/2-14 NPT | R38.1 | R45.7 | 3.30 |



Interchangeable Products

VPG® SENSORTRONICS®
65058S

Weigh Module Available

RICE LAKE WEIGHING SYSTEMS
RL2100HE
RICE LAKE WEIGHING SYSTEMS
MVS

Specifications

- Full Scale Output:**
3.0 mV/V
- Output Resistance:**
700 (± 7) ohm
- Input Resistance:**
700 (± 14) ohm
- Material/Finish:**
Stainless steel
- Temperature:**
Compensated:
14 °F to 104 °F (-10 °C to 40 °C)
Operating:
0 °F to 150 °F (-18 °C to 65 °C)
- Seal Type:**
Hermetically sealed, IP68/IP69K
- Safe Overload:**
150% full scale
- Safe Sideload:**
100% full scale
- Rated Excitation:**
5 to 10 VDC (15 V maximum)
- Combined Error:**
0.02% full scale
- Insulation Resistance:**
5,000 megohm
- Cable Length:**
35 ft
60 ft
- Cable Diameter:**
10,000 to 25,000 lb: 0.200 in
40,000 to 125,000 lb: 0.305 in
Polyurethane jacket
- Cable Color Code:**
Red +Excitation
Black -Excitation
Green +Signal
White -Signal
- Warranty:**
Two-year limited
- Approvals:**
cFMus
NTEP 20-081

Limited Stock Available

DOUBLE-ENDED BEAM
RL75060S

Stainless Steel, Welded Seal, NTEP Certified 1:5,000 III/1:10,000 Class IIIL Multiple Cell, IP67



Picture is a representation of actual product.

Approvals

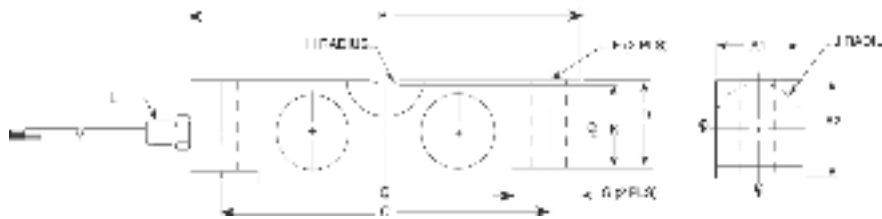


Order Information

| Load Rating | Part # | Est. Weight | Price |
|--------------------|---------------|-------------|------------|
| 35 ft Cable | | | |
| 100,000 lb | 50564 | 19 lb | \$2,115.00 |
| 60 ft Cable | | | |
| 25,000 lb | 157931 | 6 lb | \$1,050.00 |

Dimensions

| Rated Capacity | F | A1 | A2 | B | C | G | H | J | K | D | L |
|----------------|------|------|------|-------|------|------|------|------|------|------|------------|
| lb/in | | | | | | | | | | | |
| 25,000 | 0.68 | 1.69 | 1.94 | 7.75 | 6.50 | 1.38 | 0.75 | 0.90 | 1.63 | 1.70 | 1/4-18 NPT |
| 100,000 | 1.06 | 2.44 | 3.44 | 10.25 | 8.50 | 1.93 | 1.00 | 1.37 | 2.54 | 2.65 | 1/2-14 NPT |



Weigh Module Available

RICE LAKE WEIGHING SYSTEMS
MVS
RICE LAKE WEIGHING SYSTEMS
RL2100HE

Specifications

Full Scale Output:
3.0 mV/V

Output Resistance:
699 to 707 ohm

Input Resistance:
686 to 714 ohm

Material/Finish:
Stainless steel

Temperature:
Compensated:
14 °F to 104 °F (-10 °C to 40 °C)
Operating:
0 °F to 150 °F (-18 °C to 65 °C)

Seal Type:
Welded-seal, IP67

Safe Overload:
150% full scale

Safe Sideload:
100% full scale

Rated Excitation:
5 to 10 VDC (15 V maximum)

Combined Error:
0.02% full scale

Insulation Resistance:
1,000 megohm

Cable Length:
35 ft
60 ft

Cable Diameter:
25,000 lb: 0.200 in
100,000 lb: 0.305 in
Polyurethane jacket

Cable Color Code:
Red +Excitation
Black -Excitation
Green +Signal
White -Signal

Warranty:
Two-year limited

Approvals:
cFMus
NTEP 96-027

LOAD CELLS /
WEIGH MODULES

RL75223

Alloy Steel, Welded Seal, NTEP Certified 1:10,000 Class IIIIL Multiple Cell, IP67

LOAD CELLS /
WEIGH MODULES



Picture is a representation of actual product.

Approvals

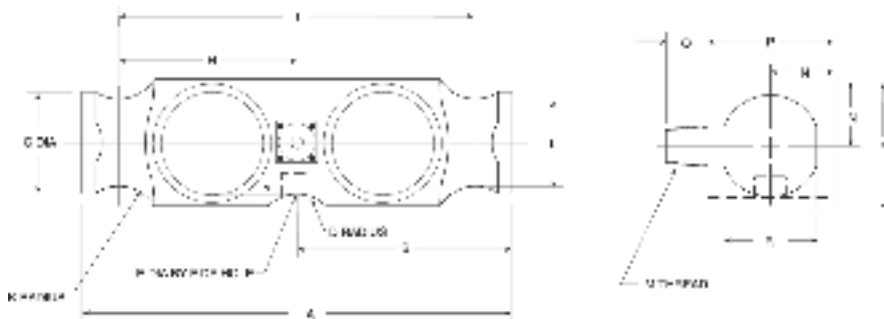


Order Information

| Load Rating | Part # | Est. Weight | Price |
|--------------------|--------|-------------|------------|
| 40 ft Cable | | | |
| 50,000 lb | 21611 | 20 lb | \$900.00 |
| 65,000 lb | 21612 | 20 lb | \$900.00 |
| 100,000 lb | 21613 | 20 lb | \$1,160.00 |
| 60 ft Cable | | | |
| 50,000 lb | 107583 | 20 lb | \$980.00 |

Dimensions

| Rated Capacity | A | B | D | E | F | G | H | J | K | L | M | N | P | Q | R |
|------------------|-------|------|------|------|------|------|------|------|------|------|------------|------|------|------|------|
| 50,000 to 65,000 | 10.25 | 5.12 | 1.00 | 0.75 | 0.78 | 2.40 | 4.25 | 8.50 | 1.00 | 2.06 | 1/2-14 NPT | 1.50 | 3.00 | 1.03 | 2.20 |
| 100,000 | 10.25 | 5.12 | 1.00 | — | — | 2.40 | 4.25 | 8.50 | 1.00 | 2.06 | 1/2-14 NPT | 1.50 | 3.00 | 1.03 | 2.20 |



Interchangeable Products

- VPG® REVERE
5223
- VPG® SENSORTRONICS®
65040A-XX-1127W
- ARTECH®
80210
- THURMAN®
TSC 800
- UNIBRIDGE®
DL9000

Weigh Module Available

RICE LAKE WEIGHING SYSTEMS
Translink™

Specifications

- Full Scale Output:**
3.0 mV/V
- Output Resistance:**
699 to 707 ohm
- Input Resistance:**
686 to 714 ohm
- Material/Finish:**
High-alloy steel
- Temperature:**
Compensated:
14 °F to 104 °F (-10 °C to 40 °C)
Operating:
0 °F to 150 °F (-18 °C to 65 °C)
- Seal Type:**
Welded-seal, IP67
- Safe Overload:**
150% full scale
- Safe Sideload:**
100% full scale
- Rated Excitation:**
5-10 VDC (15 V maximum)
- Combined Error:**
0.03% full scale
- Non-repeatability:**
0.01% full scale
- Insulation Resistance:**
5,000 megohm
- Deflection at Capacity:**
50,000 lb: 0.018 in
65,000 lb: 0.022 in
100,000 lb: 0.034 in
- Cable Length:**
40 ft
60 ft
- Cable Diameter:**
0.305 in
Polyurethane jacket
- Cable Color Code:**
Red +Excitation
Black -Excitation
Green +Signal
White -Signal
- Warranty:**
Two-year limited
- Approvals:**
cFMus
NTEP 97-126

DOUBLE-ENDED BEAM
RLDB50000S

Stainless Steel, Welded Seal, NTEP Certified 1:10,000 IILL Multiple Cell, IP67



Picture is a representation of actual product.

Approvals

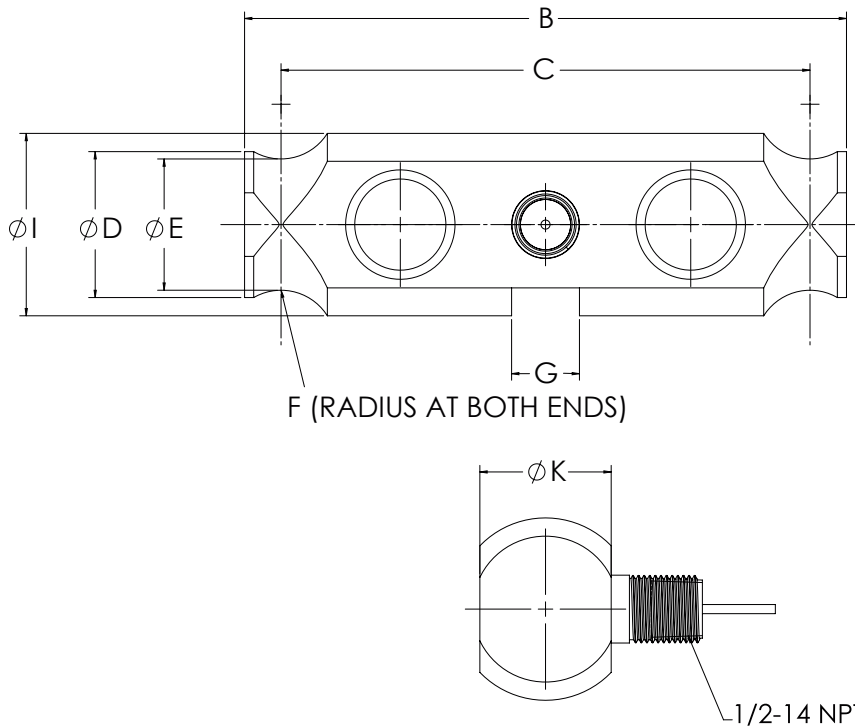


Order Information

| Load Rating | Part # | Est. Weight | Price |
|-------------|--------------|-------------|------------|
| 50,000 lb | 91765 | 10 lb | \$1,266.00 |

Dimensions

| Rated Capacity | B | C | D | E | F | G | K | I |
|----------------|------|------|------|------|------|------|------|------|
| 50,000 lb/in | 8.25 | 7.25 | 2.00 | 1.76 | 0.75 | 0.93 | 1.80 | 2.50 |



Interchangeable Products

CARDINAL®
DB50000S

Specifications

- Full Scale Output:**
2.0 (± 0.1%) mV/V
- Output Resistance:**
699 to 707 ohm
- Input Resistance:**
686 to 714 ohm
- Material/Finish:**
Stainless steel
- Temperature:**
Compensated:
14 °F to 104 °F (-10 °C to 40 °C)
Operating:
0 °F to 150 °F (-18 °C to 65 °C)
- Seal Type:**
Welded-seal, IP67
- Safe Overload:**
150% full scale
- Safe Sideload:**
100% full scale
- Rated Excitation:**
5 to 10 VDC (15 V maximum)
- Combined Error:**
0.03% full scale
- Non-repeatability:**
0.01% full scale
- Insulation Resistance:**
5,000 megohm
- Deflection at Capacity:**
0.01 in
- Cable Length:**
35 ft
- Cable Diameter:**
0.305 in
Polyurethane jacket
- Cable Color Code:**
Red +Excitation
Black -Excitation
White +Signal
Green -Signal
- Warranty:**
Two-year limited
- Approvals:**
cFMus
NTEP 92-018

LOAD CELLS / WEIGH MODULES

RL75040

Alloy Steel, Environmentally Sealed, NTEP Certified 1:10,000 Class IIII Multiple Cell, IP67

LOAD CELLS /
WEIGH MODULES



Picture is a representation of actual product.

Approvals



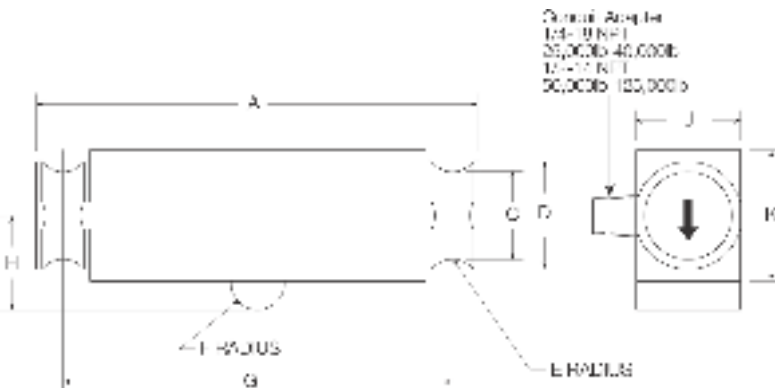
Order Information

| Load Rating | Part # | Est. Weight | Price |
|--------------------|--------|-------------|------------|
| 35 ft Cable | | | |
| 25,000 lb | 21614 | 11 lb | \$673.00 |
| 40,000 lb | 21615 | 12 lb | \$805.00 |
| 50,000 lb LE | 21616 | 17 lb | \$885.00 |
| 60,000 lb LE | 21617 | 17 lb | \$885.00 |
| 75,000 lb | 21618 | 17 lb | \$885.00 |
| 100,000 lb | 21619 | 40 lb | \$1,669.00 |
| 125,000 lb | 21620 | 40 lb | \$1,669.00 |
| 40 ft Cable | | | |
| 50,000 lb SE | 87253 | 11 lb | \$805.00 |
| 60,000 lb SE | 53593 | 11 lb | \$805.00 |
| 50 ft Cable | | | |
| 50,000 lb LE | 21621 | 18 lb | \$917.00 |
| 60,000 lb LE | 21622 | 18 lb | \$917.00 |
| 75,000 lb | 40951 | 18 lb | \$917.00 |

SE=small envelope; LE=large envelope

Dimensions

| Rated Capacity | A | C | D | E | F | G | H | J | K |
|---------------------|-------|------|------|------|------|-------|------|------|------|
| lb/in | | | | | | | | | |
| 25,000 to 60,000 SE | 8.25 | 1.63 | 2.00 | 0.50 | 0.50 | 7.25 | 1.75 | 1.94 | 2.44 |
| 50,000 LE to 75,000 | 11.50 | 1.70 | 2.20 | 0.75 | 1.00 | 10.00 | 2.00 | 1.94 | 2.94 |
| 100,000 to 125,000 | 14.50 | 2.44 | 3.20 | 1.00 | 1.50 | 12.50 | 2.75 | 2.90 | 3.86 |



Interchangeable Products

VPG® SENSORTRONICS®

65040A

ARTECH®

80310

THURMAN®

TSC 840

SENTRAN

WD1

ANYLOAD

102TH

Weigh Module Available

RICE LAKE WEIGHING SYSTEMS

Translink™

Specifications

Full Scale Output:

3.0 mV/V

Output Resistance:

700 (± 5) ohm

Input Resistance:

770 (± 10) ohm

pn 87253 and 53593: 686 to 714 ohms

Material/Finish:

High-alloy steel, nickel plated

Temperature:

Compensated:

14 °F to 104 °F (-10 °C to 40 °C)

Operating:

0 °F to 150 °F (-18 °C to 65 °C)

Seal Type:

Environmentally sealed, IP67

Safe Overload:

150% full scale

Safe Sideload:

100% full scale

Rated Excitation:

5 to 10 VDC (15 V maximum)

Combined Error:

0.03% full scale

Insulation Resistance:

1,000 megohm

Cable Length:

35 ft

40 ft

50 ft

Cable Diameter:

25,000 lb: 0.200 in

40,000 to 75,000 lb: 0.305 in

Polyurethane jacket

Cable Color Code:

Red +Excitation

Black -Excitation

Green +Signal

White -Signal

Warranty:

Two-year limited

Approvals:

cFMus

NTEP 00-027



Picture is a representation of actual product.

Approvals

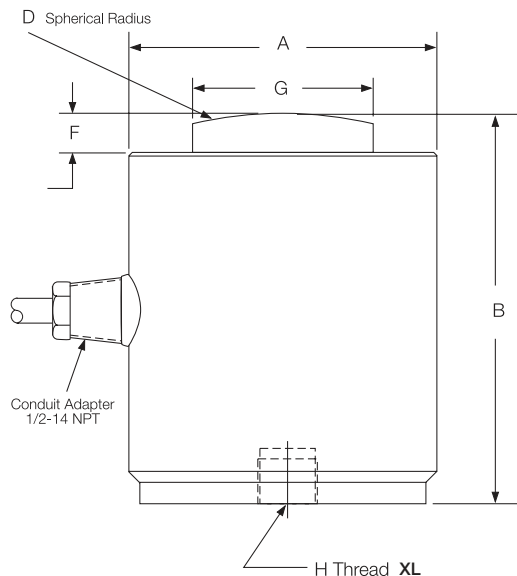


Order Information

| Load Rating | Part # | Est. Weight | Price |
|--------------------|--------|-------------|------------|
| 35 ft Cable | | | |
| 25,000 lb | 32702 | 7 lb | \$1,903.00 |
| 50,000 lb | 32701 | 7 lb | \$1,903.00 |
| 100,000 lb | 32700 | 15 lb | \$2,226.00 |
| 200,000 lb | 32699 | 28 lb | \$3,175.00 |
| 80 ft Cable | | | |
| 200,000 lb | 197788 | 30lb | \$3,312.00 |

Dimensions

| Rated Capacity | A | B | D | F | G | H | L-DEPTH |
|------------------|------|------|-------|------|------|------------|---------|
| lb/in | | | | | | | |
| 25,000 to 50,000 | 3.00 | 3.25 | 6.00 | 0.40 | 1.25 | 1/2-20 UNF | 0.31 |
| 100,000 | 4.00 | 5.00 | 6.00 | 0.51 | 2.31 | 3/4-16 UNF | 0.56 |
| 200,000 | 6.00 | 7.25 | 17.00 | 1.04 | 3.13 | 3/4-16 UNF | 0.75 |



Interchangeable Products

- VPG® REVERE
CSP
- VPG® SENSORTRONICS®
65088-1000
- VPG® REVERE
692B
- HOWE RICHARDSON®
244699-000X
- STREETER AMET®
3760XXX

Weigh Module Available

- RICE LAKE WEIGHING SYSTEMS
MagnaMount™

Specifications

- Full Scale Output:**
2.0 mV/V
- Output Resistance:**
475.2 to 484.8 ohm
- Input Resistance:**
445.5 to 454.5 ohm
- Material/Finish:**
Stainless steel
- Temperature:**
Compensated:
14 °F to 104 °F (-10 °C to 40 °C)
Operating:
0 °F to 150 °F (-18 °C to 65 °C)
- Seal Type:**
Welded-seal, IP67
- Safe Overload:**
150% full scale
- Rated Excitation:**
5 to 10 VDC (15 V maximum)
- Combined Error:**
0.03% full scale
- Non-repeatability:**
0.01% full scale
- Insulation Resistance:**
1,000 megohm
- Deflection at Capacity:**
25,000 to 50,000 lb: 0.003 in
100,000 to 125,000 lb: 0.006 in
- Cable Length:**
35 ft
80 ft
- Cable Diameter:**
0.305 in
Polyurethane jacket
- Cable Color Code:**
Green +Excitation
Black -Excitation
White +Signal
Red -Signal
Orange Shield
- Warranty:**
Two-year limited
- Approvals:**
NTEP 95-140

LOAD CELLS / WEIGH MODULES

COMPRESSION CANISTER
RL8C2P1SST

Stainless Steel, Hermetically Sealed, NTEP Certified 1:10,000 Class IIIIL Multiple Cell, IP68

LOAD CELLS /
WEIGH MODULES



Picture is a representation of actual product.

Approvals

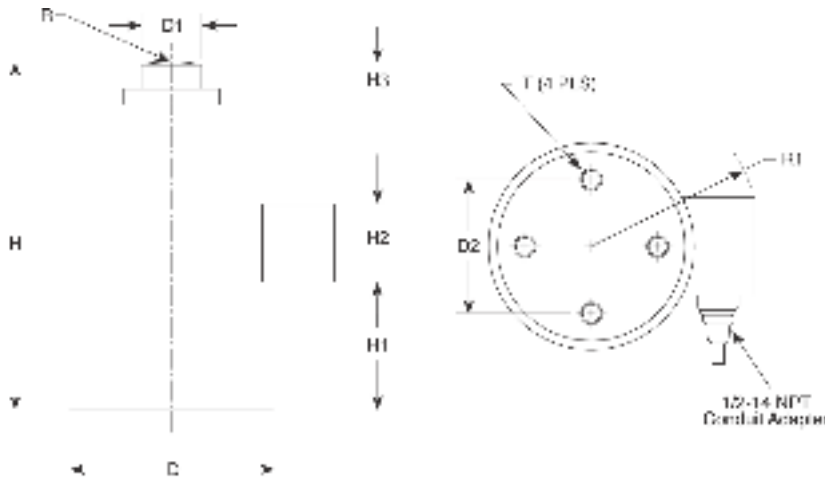


Order Information

| Load Rating | Part # | Est. Weight | Price |
|-------------|--------|-------------|------------|
| 50,000 lb | 34855 | 20 lb | \$2,325.00 |
| 100,000 lb | 34856 | 36 lb | \$2,325.00 |
| 200,000 lb | 34857 | 75 lb | \$3,598.00 |

Dimensions

| Rated Capacity | D | D1 | D2 | H | H1 | H2 | H3 | R | R1 | T |
|----------------|------|------|------|-------|------|------|------|-------|------|----------------------|
| 50,000 | 4.50 | 1.25 | 2.38 | 7.50 | 1.17 | 0.75 | 0.75 | 8.00 | 3.75 | 3/8-24 UNF × .63 DP |
| 100,000 | 5.75 | 1.75 | 4.00 | 9.13 | 2.00 | 0.87 | 1.05 | 12.00 | 4.05 | 1/2-20 UNF × .75 DP |
| 200,000 | 7.50 | 2.50 | 5.50 | 11.63 | 2.93 | 0.97 | 0.97 | 12.00 | 5.11 | 5/8-18 UNF × 25.4 DP |



Interchangeable Products

VPG® REVERSE
792

Specifications

- Full Scale Output:**
2.0 mV/V
- Output Resistance:**
350 (± 3.5) ohm
- Input Resistance:**
350 (± 3.5) ohm
- Material/Finish:**
Stainless steel
- Temperature:**
Compensated:
14 °F to 104 °F (-10 °C to 40 °C)
Operating:
0 °F to 150 °F (-18 °C to 65 °C)
- Seal Type:**
Hermetically sealed, IP68
- Safe Overload:**
150% full scale
- Rated Excitation:**
10 VDC (15 V maximum)
- Combined Error:**
0.03% full scale
- Non-repeatability:**
0.01% full scale
- Insulation Resistance:**
> 1,000 megohm
- Deflection at Capacity:**
50,000 lb: 0.004 in
100,000 lb: 0.006 in
200,000 lb: 0.009 in
- Cable Length:**
35 ft
- Cable Color Code:**
Green +Excitation
Black -Excitation
White +Signal
Red -Signal
Orange Shield
- Warranty:**
Two-year limited
- Approvals:**
cFMus
NTEP 92-218



Picture is a representation of actual product.

Approvals

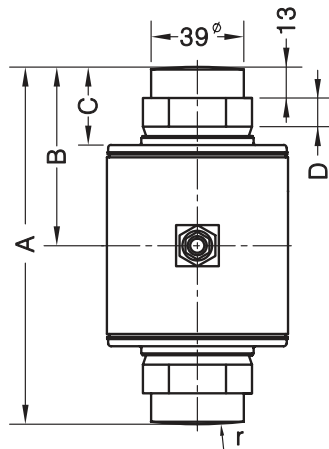


Order Information

| Load Rating | Part # | Est. Weight | Price |
|---------------|---------------|-------------|----------|
| 30,000 lb | 221271 | 8 lb | \$695.00 |
| 40,000 lb | 207495 | 8 lb | \$695.00 |
| Load Cup Kits | | | |
| 30,000 lb | 223356 | 7.50 lb | \$110.00 |
| 40,000 lb | 223357 | 7.94 lb | \$110.00 |

Dimensions

| Rated Capacity | A | B | C | D | Ball r |
|----------------|------|------|------|------|--------|
| lb/in | | | | | |
| 30,000 | 5.51 | 2.76 | 1.10 | 0.28 | 7.09 |
| 40,000 | 5.91 | 2.95 | 1.30 | 0.47 | 7.87 |



Specifications

Full Scale Output:
2.0 mV/V

Output Resistance:
1,005 (± 5) ohm

Input Resistance:
1,150 (± 50) ohm

Material/Finish:
Stainless steel

Temperature:
Compensated:
14 °F to 104 °F (-10 °C to 40 °C)
Operating:
0 °F to 150 °F (-18 °C to 65 °C)

Seal Type:
Hermetically sealer, IP69K

Safe Overload:
120% full scale

Rated Excitation:
5 to 10 VDC

Combined Error:
0.013% full scale

Non-repeatability:
0.01% full scale

Insulation Resistance:
5,000 megohm

Deflection at Capacity:
0.621 mm

Cable Length:
18 m overbraid cable

Cable Color Code:
Green +Excitation
Black -Excitation
Red +Signal
White -Signal
Blue +Sense
Yellow -Sense

Warranty:
Two-year limited

Approvals:
NTEP

LOAD CELLS / WEIGH MODULES

ROCKER COLUMN
RLSCA-50K

Stainless Steel, Welded Seal, NTEP Certified 1:10,000 Class III Multiple Cell, IP67

LOAD CELLS /
 WEIGH MODULES



Picture is a representation of actual product.

Approvals



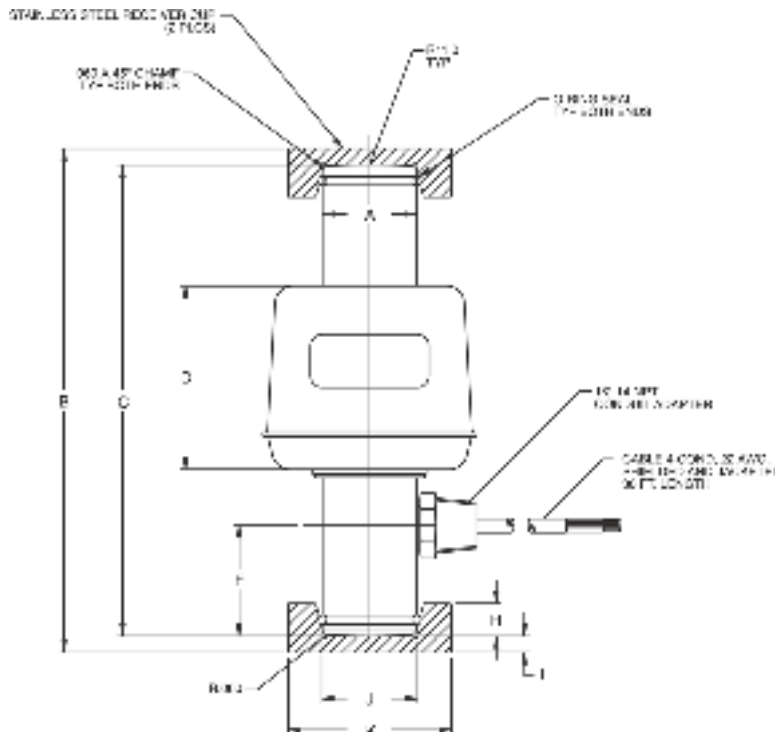
Order Information

| Load Rating | Part # | Est. Weight | Price |
|---|--------------|-------------|-------------|
| 50,000 lb* | 68918 | 7 lb | \$1,055.00 |
| Replacement Parts | | | |
| Replacement load cup set upper and lower included | 85433 | 1 lb | \$100.00 |
| Replacement O-ring | 92988 | 1 lb | \$1.00/each |

*Load cell supplied with load cups

Dimensions

| Rated Capacity | A | B | C | D | F | H | I | J | K |
|----------------|------|------|------|------|------|------|------|------|------|
| 50,000 lb/in | 1.46 | 7.75 | 7.25 | 2.82 | 1.70 | 0.50 | 0.25 | 1.48 | 2.50 |



Interchangeable Products

CARDINAL®
SCA-50K

Specifications

- Full Scale Output:**
2 mV/V nominal
- Output Resistance:**
1,050 (± 10) ohm
- Input Resistance:**
1,100 to 1,500 ohm
- Material/Finish:**
Stainless steel
- Temperature:**
Compensated:
14 °F to 104 °F (-10 °C to 40 °C)
Operating:
0 °F to 150 °F (-18 °C to 65 °C)
- Seal Type:**
Welded-seal, IP67
- Safe Overload:**
150% full scale
- Rated Excitation:**
5 to 10 VDC (15 V maximum)
- Combined Error:**
0.025% full scale
- Non-repeatability:**
0.01% full scale
- Insulation Resistance:**
1,000 megohm
- Cable Length:**
30 ft
- Cable Diameter:**
0.200 in
Polyurethane jacket
- Cable Color Code:**
Green +Excitation
Black -Excitation
Red +Signal
White -Signal
- Warranty:**
Two-year limited
- Approvals:**
NTEP 01-073
cFMus

RL70510/RL80453

Stainless Steel, Hermetically Sealed, NTEP Certified 1:10,000 Class III L, IP69K

LOAD CELLS / WEIGH MODULES



Picture is a representation of actual product.

Approvals



Order Information: RL70510

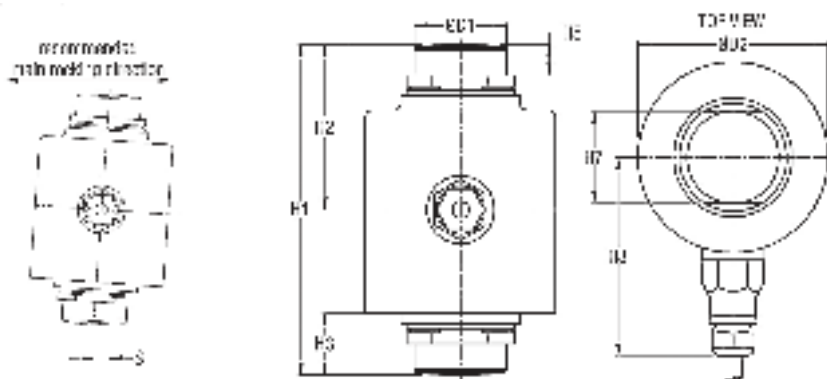
| Load Rating | Part # | Est. Weight | Price |
|----------------|--------|-------------|------------|
| 30t | 169363 | 6 lb | \$1,044.00 |
| Upper load cup | 109332 | 4 lb | \$143.00 |
| Lower load cup | 109331 | 4 lb | \$116.00 |

Order Information: RL80453

| Load Rating | Part # | Est. Weight | Price |
|----------------|--------|-------------|------------|
| 100,000 lb | 169365 | 6 lb | \$1,070.00 |
| Upper load cup | 109332 | 4 lb | \$143.00 |
| Lower load cup | 109331 | 4 lb | \$116.00 |

Dimensions

| Rated Capacity | H1 | H2 | H3 | H5 | H7 | H8 | D1 | D2 |
|----------------|------|------|------|------|------|------|------|------|
| t/in | | | | | | | | |
| 30 | 5.51 | 2.76 | 1.02 | 0.51 | 1.54 | 3.32 | 1.54 | 3.18 |
| lb/in | | | | | | | | |
| 100,000 | 5.91 | 2.95 | 1.30 | 0.51 | 1.54 | 3.32 | 1.54 | 3.18 |



Interchangeable Products

| | |
|------------|----------------|
| FAIRBANKS® | |
| 70510 | LCF HR 4020-2A |
| FAIRBANKS | |
| 80453 | LCF HR 4020-21 |

Specifications

Full Scale Output:

2.0 mV/V

Output Resistance:

1,000 (± 2) ohm

Input Resistance:

1,150 (± 50) ohm

Material/Finish:

Stainless steel

Temperature:

Compensated:

14 °F to 104 °F (-10 °C to 40 °C)

Operating:

0 °F to 150 °F (-18 °C to 65 °C)

Seal Type:

Hermetically sealed, IP69K

Safe Overload:

200% full scale

Rated Excitation:

5 to 10 VDC (15 V max)

Combined Error:

0.02% full scale

Insulation Resistance:

5,000 megohm

Cable Length:

15 ft

Cable Diameter:

0.200 in

Stainless steel overbraid cable

Cable Color Code:

Green +Excitation

Black -Excitation

White +Signal

Red -Signal

Yellow Shield

Warranty:

Two-year limited

Approvals:

NTEP 15-057

RL75114-50K

Stainless Steel, Welded Seal, NTEP Certified 1:10,000 Class III L, IP67

LOAD CELLS / WEIGH MODULES



Picture is a representation of actual product.

Approvals



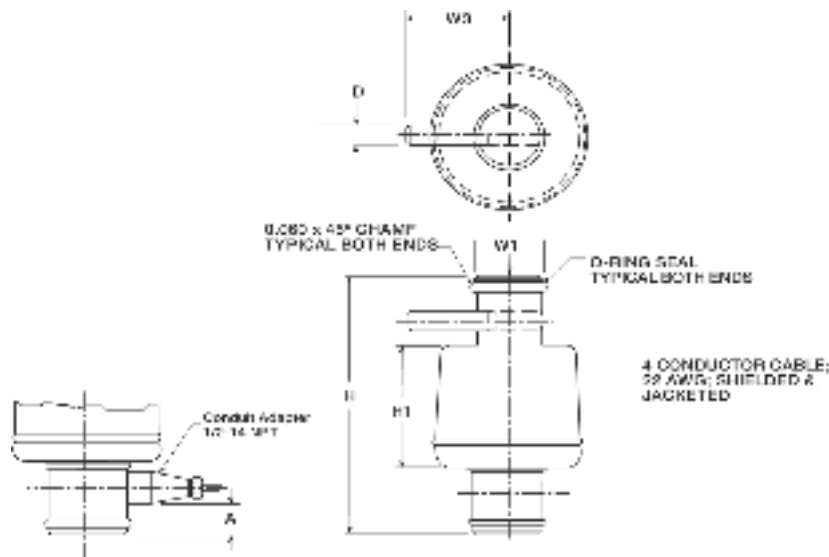
Order Information

| Load Rating | Part # | Est. Weight | Price |
|--------------------------|--------|-------------|------------|
| 50,000 lb LE | 88074 | 6 lb | \$1,266.00 |
| Replacement Parts | | | |
| Replacement O-ring | 92988 | 1lb | \$1.00 |
| Spring pin | 116181 | 1 lb | \$5.00 |

LE=Large envelope
Not interchangeable with Sensortronics 65114 - different mV/V

Dimensions

| Rated Capacity | A | D | H | H1 | W1 | W3 |
|----------------|------|------|------|------|------|------|
| 50,000 LE | 0.87 | 0.38 | 7.56 | 2.82 | 1.46 | 2.18 |



Interchangeable Products

FAIRBANKS®
64166..... LCF HR 4020-2

Specifications

- Full Scale Output:**
1.8 mV/V nominal
- Output Resistance:**
1,000 (± 10) ohm
- Input Resistance:**
1,000 ohm
- Material/Finish:**
Stainless steel
- Temperature:**
Compensated:
14 °F to 104 °F (-10 °C to 40 °C)
Operating:
0 °F to 150 °F (-18 °C to 65 °C)
- Seal Type:**
Welded-seal, IP67
- Safe Overload:**
150% full scale
- Rated Excitation:**
5 to 10 VDC
- Combined Error:**
0.025% full scale
- Non-repeatability:**
0.01% full scale
- Insulation Resistance:**
1,000 megohm
- Cable Length:**
30 ft
- Cable Diameter:**
0.200 in overbraid cable
- Cable Color Code:**
Green +Excitation
Black -Excitation
White +Signal
Red -Signal
- Warranty:**
Two-year limited
- Approvals:**
NTEP 06-022
cFMus



25K shown

5K shown

Load cup sold separately on 5,000 and 10,000 lb models.

Picture is a representation of actual product.

Approvals



Order Information

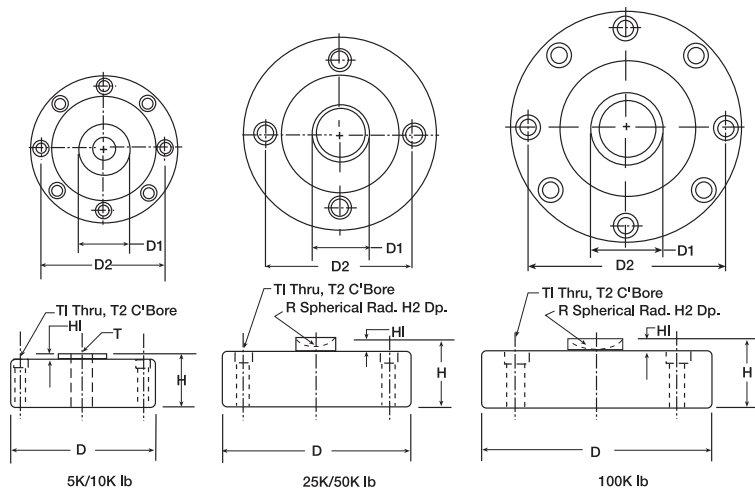
| Load Rating | Part # | Est. Weight | Price |
|-------------|--------|-------------|----------|
| 5,000 lb* | 33061 | 6 lb | \$689.00 |
| 10,000 lb* | 33062 | 6 lb | \$689.00 |
| 25,000 lb | 33063 | 9 lb | \$843.00 |
| 50,000 lb | 33064 | 9 lb | \$843.00 |
| 100,000 lb | 33065 | 13 lb | \$990.00 |
| Load Cup** | 33616 | | \$37.00 |

*5,000lb and 10,000lb models can be used in compression and tension load applications.

**Load cup, PN 33616, is required for compression applications on 5,000lb and 10,000lb capacity load cells.

Dimensions

| Rated Capacity | T | R | D | D1 | D2 | H | H1 | H2 | T1 | T2 |
|-------------------|---------------|-------|------|------|------|------|------|------|------|------------------|
| 5,000* to 10,000* | 5/8-18 UNF-3B | — | 4.12 | 1.26 | 3.50 | 1.37 | 0.12 | — | 0.28 | 0.406 x 0.283 DP |
| 25,000 to 50,000 | — | 0.875 | 4.75 | 1.53 | 4.00 | 2.12 | 0.50 | 0.30 | 0.34 | 0.508 x 0.38 DP |
| 100,000 | — | 0.875 | 5.50 | 1.98 | 4.60 | 2.25 | 0.25 | 0.30 | 0.41 | 0.626 x 0.4 DP |



Interchangeable Products

VPG® CELTRON®
LCD

Specifications

Full Scale Output:

4.0 mV/V

Output Resistance:

5,000 to 50,000 lb: 350 (± 3) ohm
100,000 lb: 700 (± 5) ohm

Input Resistance:

5,000 to 50,000 lb: 385 (± 5) ohm
100,000 lb: 770 (± 70) ohm

Material/Finish:

High-alloy steel, nickel plated

Temperature:

Operating:
0 °F to 150 °F (-18 °C to 65 °C)

Seal Type:

Environmentally sealed, IP67

Safe Overload:

150% full scale

Safe Sideload:

100% full scale

Rated Excitation:

15 VDC (15 V maximum)

Nonlinearity:

0.05% full scale

Hysteresis:

0.02% full scale

Insulation Resistance:

2,000 megohm

Cable Length:

50 ft

Cable Diameter:

5,000 to 25,000 lb: 0.200 in
50,000 to 100,000 lb: 0.305 in
Polyurethane jacket

Cable Color Code:

Red +Excitation
Black -Excitation
Green +Signal
White -Signal

Warranty:

Two-year limited

Approvals:

cMus

SINGLE POINT
RLPC3SS

Stainless Steel, Environmentally Sealed, NTEP Certified 1:3,000 Class III Single Cell, IP67

LOAD CELLS /
WEIGH MODULES



Picture is a representation of actual product.

Approvals

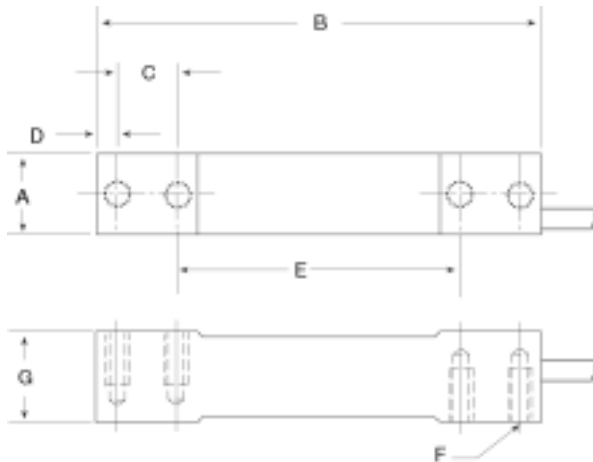


Order Information

| Load Rating | Part # | Est. Weight | Price |
|-------------|--------|-------------|----------|
| 7 kg | 205274 | 2 lb | \$328.00 |
| 10 kg | 205275 | 2 lb | \$328.00 |
| 30 kg | 205276 | 2 lb | \$328.00 |
| 60 kg | 205277 | 2 lb | \$328.00 |
| 100 kg | 205278 | 2 lb | \$328.00 |
| 150 kg | 205279 | 2 lb | \$328.00 |

Dimensions

| Rated Capacity | A | B | C | D | E | F | G |
|----------------|------|-------|------|-----|------|------------|------|
| kg/mm | | | | | | | |
| 7 to 10 | 19.0 | 139.8 | 19.0 | 6.6 | 88.7 | M6 × 1.0 | 30.0 |
| 30 to 60 | 23.8 | 139.8 | 19.0 | 6.6 | 88.7 | M6 × 1.0 | 30.0 |
| 100 to 150 | 30.7 | 139.7 | 22.4 | 6.6 | 79.3 | 3/8-16 UNC | 30.0 |



Interchangeable Products

- RICE LAKE WEIGHING SYSTEMS®
- RL1380**
- FLINTEC®
- PC3**
- HBK®
- PWS**

Specifications

- Full Scale Output:**
2 mV/V
- Output Resistance:**
350 (± 10) ohm
- Input Resistance:**
385 (± 15) ohm
- Material/Finish:**
Stainless steel
- Temperature:**
Compensated:
14 °F to 104 °F (-10 °C to 40 °C)
Operating:
0 °F to 150 °F (-18 °C to 65 °C)
- Seal Type:**
Environmentally sealed, IP67
- Safe Overload:**
150% full scale
- Rated Excitation:**
5 to 10 VDC
- Combined Error:**
0.02% full scale
- Insulation Resistance:**
5,000 megohm
- Cable Length:**
10 ft
- Cable Diameter:**
0.140 in
Polyurethane jacket
- Cable Color Code:**
Green +Excitation
Black -Excitation
White +Signal
Red -Signal
Yellow Shield
- Max Platform Size:**
7 to 30 kg: 350 × 350 mm
60 to 150 kg: 450 × 450 mm
- Warranty:**
One-year limited
- Approvals:**
NTEP 21-017
OIML R60/2017-A-NL1-21.17



Picture is a representation of actual product.

Approvals

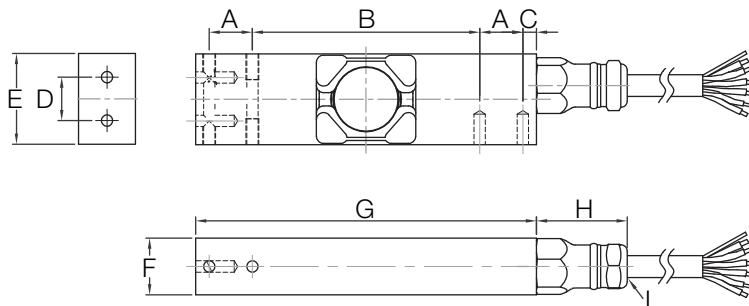


Order Information

| Load Rating | Part # | Est. Weight | Price |
|-------------|--------|-------------|----------|
| 10 kg | 205270 | 3 lb | \$630.00 |
| 20 kg | 205271 | 3 lb | \$630.00 |
| 50 kg | 205272 | 3 lb | \$630.00 |
| 100 kg | 205273 | 3 lb | \$630.00 |

Dimensions

| Rated Capacity | A | B | C | D | E | F | G | H | I |
|----------------|------|-------|-----|------|------|------|-------|------|--------|
| kg/mm | | | | | | | | | |
| 10 to 100 | 19.0 | 100.0 | 6.0 | 19.1 | 40.0 | 25.0 | 150.0 | 40.0 | M4 × 6 |



Interchangeable Products

- FLINTEC®
PC4
- HBK®
PW15AH*
- *350 Ohm

Specifications

Full Scale Output:
2 mV/V

Output Resistance:
960 (± 50) ohm

Input Resistance:
1100 (± 50) ohm

Material/Finish:
Stainless steel

Temperature:
Compensated:
14 °F to 104 °F (-10 °C to 40 °C)
Operating:
0 °F to 150 °F (-18 °C to 65 °C)

Seal Type:
Hermetically sealed, IP69K

Safe Overload:
150% full scale

Rated Excitation:
5 to 10 VDC

Combined Error:
0.02% full scale

Insulation Resistance:
> 5,000 megohm

Cable Length:
10 ft

Cable Color Code:
Green +Excitation
Black -Excitation
White +Signal
Red -Signal
Blue +Sense
Brown -Sense
Yellow Shield

Max Platform Size:
500 × 400 mm

Warranty:
One-year limited

Approvals:
NTEP 21-016
OIML R60/2017-A-NL1-21.18

SINGLE POINT
RLPC6

Stainless Steel, Hermetically Sealed, NTEP Certified 1:5,000 Class III Single Cell, IP69K

LOAD CELLS /
WEIGH MODULES



Picture is a representation of actual product.

Approvals

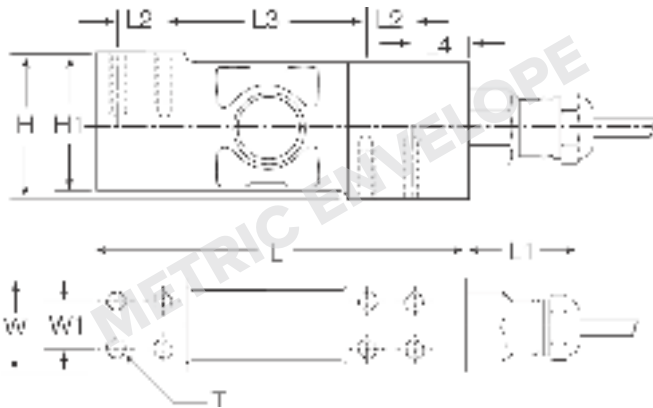


Order Information

| Load Rating | Part # | Est. Weight | Price |
|-------------|--------|-------------|----------|
| 10 kg | 87027 | 3 lb | \$630.00 |
| 20 kg | 87028 | 3 lb | \$630.00 |
| 50 kg | 87029 | 3 lb | \$630.00 |
| 100 kg | 87030 | 3 lb | \$630.00 |
| 200 kg | 87031 | 3 lb | \$630.00 |

Dimensions

| Rated Capacity | H | H1 | L | L1 | L2 | L3 | L4 | W | W1 | T |
|----------------|------|------|-------|------|------|------|------|------|------|--------------|
| kg/mm | | | | | | | | | | |
| 10 to 200 | 48.0 | 45.5 | 123.0 | 41.0 | 15.2 | 67.6 | 17.8 | 30.1 | 15.2 | 8 x M6/15 DP |



Interchangeable Products

FLINTEC®
PC6

Specifications

- Full Scale Output:**
2.0 mV/V
- Output Resistance:**
960 (± 50) ohm, nominal
- Input Resistance:**
1,100 (± 50) ohm
- Material/Finish:**
Stainless steel
- Temperature:**
Compensated:
14 °F to 104 °F (-10 °C to 40 °C)
Operating:
0 °F to 150 °F (-18 °C to 65 °C)
- Seal Type:**
Hermetically sealed, IP69K
- Safe Overload:**
200% full scale
- Safe Sideload:**
100% full scale
- Rated Excitation:**
5 to 10 VDC
- Combined Error:**
0.02% full scale
- Insulation Resistance:**
5,000 megohm
- Cable Length:**
10 ft
- Cable Diameter:**
0.196 in
Polyurethane jacket
- Deflection at Capacity:**
0.006 to 0.010 in
- Cable Color Code:**
Green +Excitation
Black -Excitation
White +Signal
Red -Signal
Yellow Shield
- Max Platform Size:**
24 × 24 in
- Warranty:**
Two-year limited
- Approvals:**
FM
NTEP 06-011



Picture is a representation of actual product.

Approvals

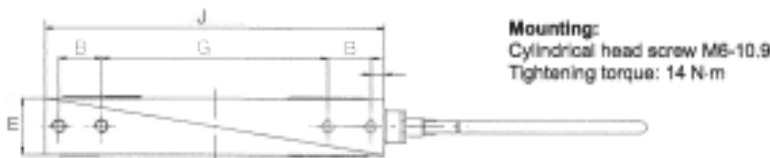
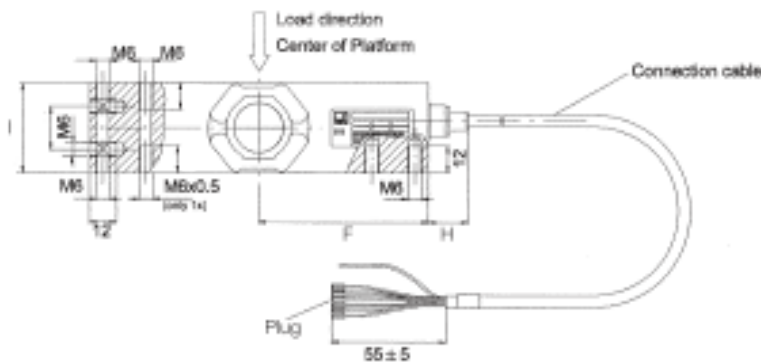


Order Information

| Load Rating | Part # | Est. Weight | Price |
|----------------------|--------|-------------|----------|
| 10 ft Cable | | | |
| 10 kg | 108685 | 3 lb | \$768.00 |
| 20 kg | 108686 | 3 lb | \$768.00 |
| 50 kg | 108687 | 3 lb | \$768.00 |
| 100 kg | 108688 | 3 lb | \$768.00 |
| 2.83 ft Cable | | | |
| 10 kg | 107174 | 3 lb | \$768.00 |
| 20 kg | 107175 | 3 lb | \$768.00 |
| 50 kg | 107176 | 3 lb | \$768.00 |
| 100 kg | 107177 | 3 lb | \$768.00 |

Dimensions

| Rated Capacity | B | E | F | G | H | I | J |
|----------------|------|------|------|-------|------|------|-------|
| kg/mm | | | | | | | |
| 10 to 100 | 19.0 | 25.0 | 75.0 | 100.0 | 17.5 | 40.0 | 150.0 |



Interchangeable Products

HBK®
PW15AH

Specifications

Full Scale Output:
2.0 mV/V

Output Resistance:
350 (± 10) ohm

Input Resistance:
380 (± 15) ohm

Material/Finish:
Stainless steel

Temperature:
Compensated:
14 °F to 104 °F (-10 °C to 40 °C)
Operating:
0 °F to 150 °F (-18 °C to 65 °C)

Seal Type:
Hermetically sealed, IP69K

Safe Overload:
150% full scale

Rated Excitation:
5 to 10 VDC (15 V maximum)

Combined Error:
0.02% full scale

Insulation Resistance:
1,000 megohm

Cable Length:
10 ft
2.83 ft

Cable Diameter:
0.212 in PVC jacket

Cable Color Code:
Blue +Excitation
Black -Excitation
White +Signal
Red -Signal
Green +Sense
Grey -Sense

Max Platform Size:
500 × 400 mm

Warranty:
Two-year limited

Approvals:
FM
NTEP 09-015

RLPWM15

Stainless Steel, Environmentally Sealed, NTEP Certified 1:5,000 Class III Single Cell, IP67



Picture is a representation of actual product.

Approvals

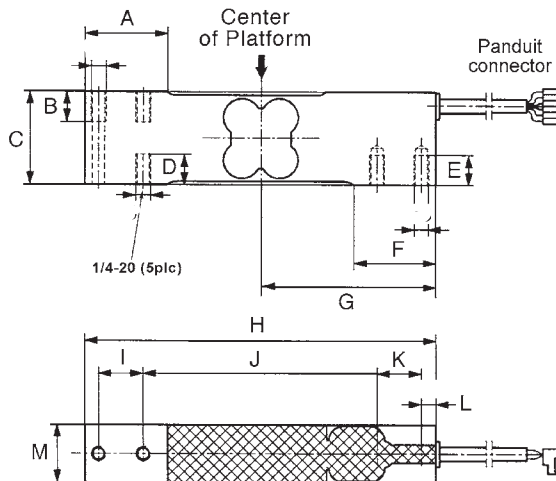


Order Information

| Load Rating | Part # | Est. Weight | Price |
|-------------|--------|-------------|----------|
| 10 kg | 119904 | 1 lb | \$344.00 |
| 15 kg | 119912 | 1 lb | \$344.00 |
| 20 kg | 119905 | 1 lb | \$344.00 |
| 50 kg | 119908 | 1 lb | \$344.00 |
| 75 kg | 119909 | 1 lb | \$344.00 |
| 100 kg | 119910 | 1 lb | \$344.00 |

Dimensions

| Rated Capacity | A | B | C | D | E | F | G | H | I | J | K | L | M | T |
|----------------|------|------|------|------|------|------|------|-------|------|-------|------|-----|------|------------|
| kg/mm | | | | | | | | | | | | | | |
| 10 to 100 | 35.0 | 13.0 | 40.0 | 13.0 | 13.0 | 35.0 | 75.0 | 150.0 | 19.0 | 100.0 | 19.0 | 6.2 | 25.0 | 1/4-20 UNC |



Interchangeable Products

HBK®
PW15
VPG® TEDEA-HUNTLEIGH®
1142

Specifications

- Full Scale Output:**
2.0 mV/V
- Bridge Resistance:**
350 ohm, nominal
- Material/Finish:**
Stainless steel
- Temperature:**
Compensated:
14 °F to 104 °F (-10 °C to 40 °C)
Operating:
0 °F to 150 °F (-18 °C to 65 °C)
- Seal Type:**
Environmentally sealed, IP67
- Safe Overload:**
150% full scale
- Rated Excitation:**
5 to 10 VDC (15 V maximum)
- Combined Error:**
0.02% full scale
- Insulation Resistance:**
1,000 megohm
- Cable Length:**
10 ft
- Cable Diameter:**
0.190 in PVC jacket
- Cable Color Code:**
Blue +Excitation
Black -Excitation
White +Signal
Red -Signal
Green +Sense
Grey -Sense
- Max Platform Size:**
15 × 15 in
- Warranty:**
Two-year limited
- Approvals:**
FM
NTEP 11-038



Picture is a representation of actual product.

Approvals

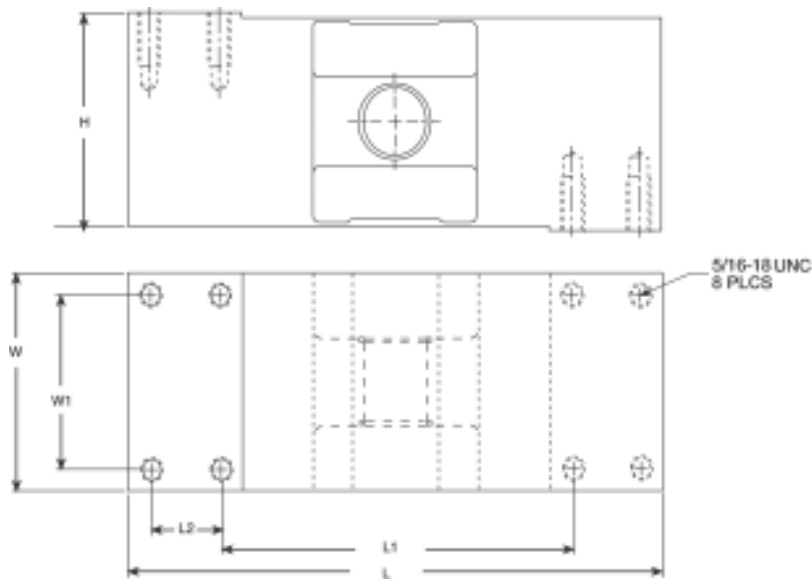


Order Information

| Load Rating | Part # | Est. Weight | Price |
|-------------|--------------|-------------|----------|
| 50 kg | 87022 | 12 lb | \$980.00 |
| 100 kg | 87023 | 12 lb | \$980.00 |
| 250 kg | 87024 | 13 lb | \$980.00 |
| 500 kg | 87025 | 13 lb | \$980.00 |
| 1,000 kg | 87026 | 15 lb | \$980.00 |

Dimensions

| Rated Capacity | L | L1 | L2 | W | W1 | H |
|----------------|-------|-------|------|------|------|------|
| kg/mm | | | | | | |
| 50 to 1,000 | 190.5 | 107.0 | 35.0 | 73.7 | 50.0 | 73.7 |



Specifications

- Full Scale Output:**
2 mV/V
- Output Resistance:**
960 (± 50) ohm
- Input Resistance:**
1,100 (± 50) ohm
- Material/Finish:**
Stainless steel
- Temperature:**
Compensated:
14 °F to 104 °F (-10 °C to 40 °C)
Operating:
0 °F to 150 °F (-18 °C to 65 °C)
- Seal Type:**
Hermetically sealed, IP69K
- Safe Overload:**
200% full scale
- Safe Sideload:**
100% full scale
- Rated Excitation:**
5 to 10 VDC
- Combined Error:**
0.020% full scale
- Insulation Resistance:**
5,000 megohm
- Cable Length:**
10 ft
- Cable Diameter:**
0.196 in
Polyurethane jacket
- Cable Color Code:**
Green +Excitation
Black -Excitation
White +Signal
Red -Signal
Blue +Sense
Brown -Sense
Yellow Shield (shield connected to element)
- Max Platform Size:**
24 × 24 in
- Warranty:**
Two-year limited
- Approvals:**
FM
NTEP 07-094

SINGLE POINT
RL1521A

Aluminum, Environmentally Sealed, NTEP Certified 1:5,000 Class III Single Cell, IP66

LOAD CELLS /
WEIGH MODULES



Picture is a representation of actual product.

Approvals

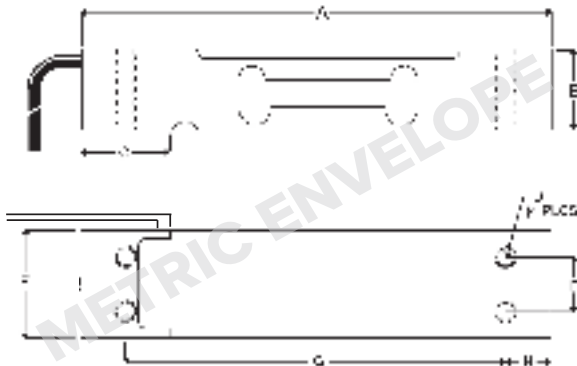


Order Information:

| Load Rating | Part # | Est. Weight | Price |
|-----------------------|--------|-------------|----------|
| 1.50 ft Cables | | | |
| 3 kg | 50620 | 1 lb | \$148.00 |
| 5 kg | 50619 | 1 lb | \$148.00 |
| 7 kg | 50621 | 1 lb | \$148.00 |
| 10 kg | 50622 | 1 lb | \$148.00 |
| 15 kg | 50623 | 1 lb | \$148.00 |
| 20 kg | 50624 | 1 lb | \$148.00 |
| 30 kg | 50625 | 1 lb | \$148.00 |
| 35 kg | 50626 | 1 lb | \$148.00 |
| 10 ft Cables | | | |
| 3 kg | 132261 | 3 lb | \$148.00 |
| 5 kg | 132262 | 3 lb | \$148.00 |
| 7 kg | 132263 | 3 lb | \$148.00 |
| 10 kg | 132264 | 3 lb | \$148.00 |
| 15 kg | 132265 | 3 lb | \$148.00 |
| 20 kg | 132266 | 3 lb | \$148.00 |
| 30 kg | 132267 | 3 lb | \$148.00 |
| 35 kg | 132268 | 3 lb | \$148.00 |

Dimension

| Rated Capacity | A | B | C | D | E | F | G | H |
|----------------|-------|------|------|----------|------|------|-------|------|
| kg/mm | | | | | | | | |
| 3 to 7 | 130.0 | 22.0 | 25.0 | M6 × 1.0 | 25.4 | 15.0 | 106.0 | 12.0 |
| 10 to 30 | 130.0 | 22.0 | 25.0 | M6 × 1.0 | 30.0 | 15.0 | 106.0 | 12.0 |
| 35 | 130.0 | 22.0 | 25.0 | M6 × 1.0 | 40.0 | 15.0 | 106.0 | 12.0 |



Interchangeable Products

- VPG® CELTRON®
- LPS** except 3 kg
- VPG® TEDEA-HUNTLEIGH®
- 1022**
- VPG® BLH®
- C2G1**
- FAIRBANKS®
- 4900 Series**
- Checkweighers**
- NMB®
- C2G1**
- ARTECH®
- 61022**

Specifications

- Full Scale Output:**
2.0 mV/V
- Output Resistance:**
350 (± 3) ohm
- Input Resistance:**
410 (± 15) ohm
- Material/Finish:**
Aluminum
- Temperature:**
Compensated:
14 °F to 104 °F (-10 °C to 40 °C)
Operating:
0 °F to 150 °F (-18 °C to 65 °C)
- Seal Type:**
Environmentally sealed, IP66
- Safe Overload:**
150% full scale
- Rated Excitation:**
5 to 10 VDC (15 V maximum)
- Combined Error:**
0.03% full scale
- Insulation Resistance:**
2,000 megohm
- Cable Length:**
10 ft
1.50 ft
- Cable Diameter:**
0.14 in PVC jacket
- Cable Color Code:**
Green +Excitation
Black -Excitation
Red +Signal
White -Signal
- Max Platform Size:**
13.75 × 13.75 in
- Warranty:**
Two-year limited
- Approvals:**
cFMus
NTEP 98-166



Picture is a representation of actual product.

Approvals

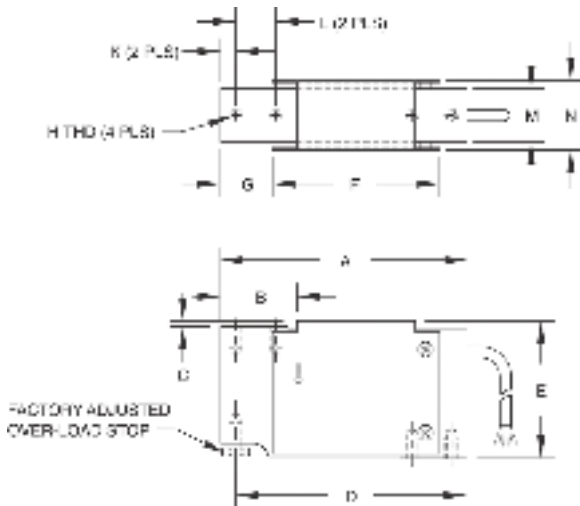


Order Information

| Load Rating | Part # | Est. Weight | Price |
|-------------------------------------|--------|-------------|----------|
| NTEP Certified, Potted | | | |
| 10 kg | 50819 | 2 lb | \$205.00 |
| 15 kg | 50820 | 2 lb | \$205.00 |
| 20 kg | 50821 | 2 lb | \$205.00 |
| 30 kg | 50822 | 2 lb | \$205.00 |
| 50 kg | 50823 | 2 lb | \$205.00 |
| Non-NTEP Certified, Potted | | | |
| 7 kg | 17529 | 2 lb | \$205.00 |
| 10 kg | 17530 | 2 lb | \$205.00 |
| 15 kg | 17531 | 2 lb | \$195.00 |
| 20 kg | 17532 | 2 lb | \$205.00 |
| 30 kg | 17533 | 2 lb | \$205.00 |
| 50 kg | 17534 | 2 lb | \$205.00 |
| 90 kg | 17535 | 2 lb | \$205.00 |
| Non-NTEP Certified, Unpotted | | | |
| 3 kg | 17527 | 1 lb | \$190.00 |
| 5 kg | 17528 | 1 lb | \$190.00 |

Dimensions

| Rated Capacity | A | B | C | D | E | F | G | H | K | L | M | N |
|----------------|-------|------|-----|-------|------|------|------|--------------------|-----|------|------|------|
| kg/mm | | | | | | | | | | | | |
| 3 to 90 | 118.1 | 34.0 | 3.0 | 110.5 | 66.0 | 80.0 | 25.0 | 1/4-20 UNC x 13 DP | 7.5 | 19.1 | 25.4 | 33.5 |



Interchangeable Products

VPG® TEDEA-HUNTLEIGH®
1010/1015

Specifications

- Full Scale Output:**
2.0 mV/V
- Output Resistance:**
350 (± 3) ohm, nominal
- Input Resistance:**
415 (± 15) ohm
- Material/Finish:**
Anodized aluminum
- Temperature:**
Compensated:
14 °F to 104 °F (-10 °C to 40 °C)
Operating:
0 °F to 150 °F (-18 °C to 65 °C)
- Seal Type:**
Potted: IP67
Unpotted: IP65
- Safe Overload:**
150% at center of loading point, full scale
- Rated Excitation:**
5 to 10 VDC (15 V maximum)
- Combined Error:**
0.02% full scale
- Insulation Resistance:**
5,000 megohm
- Deflection at Capacity:**
0.015 in
- Cable Length:**
Potted: 10 ft
Unpotted: 3 ft
- Cable Diameter:**
0.200 in PVC jacket
- Cable Color Code:**
Green +Excitation
Black -Excitation
Red +Signal
White -Signal
Blue +Sense
Brown -Sense
- Max Platform Size:**
15.75 x 15.75 in
- Warranty:**
Two-year limited
- Approvals:**
cFMus
NTEP 00-062

RLSP4

Aluminum, Environmentally Sealed, NTEP Certified 1:5,000 Class III Single Cell, IP66

LOAD CELLS / WEIGH MODULES



Picture is a representation of actual product.

Approvals

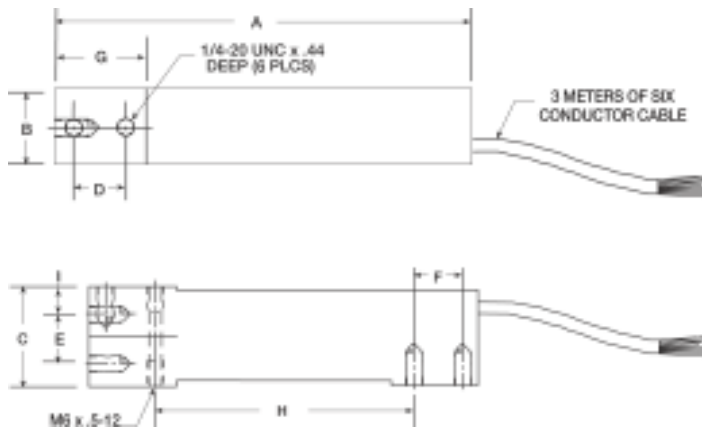


Order Information

| Load Rating | Part # | Est. Weight | Price |
|-----------------------|--------|-------------|----------|
| NTEP Certified | | | |
| 7 kg | 91725 | 2 lb | \$222.00 |
| 10 kg | 91726 | 2 lb | \$222.00 |
| 15 kg | 91727 | 2 lb | \$222.00 |
| 20 kg | 91728 | 2 lb | \$222.00 |
| 30 kg | 91729 | 2 lb | \$222.00 |
| 50 kg | 91730 | 2 lb | \$222.00 |
| 75 kg | 91731 | 2 lb | \$222.00 |
| 100 kg | 91732 | 2 lb | \$222.00 |

Dimensions

| Rated Capacity | A | B | C | D | E | F | G | H | I |
|----------------|-------|------|------|------|------|------|------|------|------|
| kg/mm | | | | | | | | | |
| 5 to 100 | 150.3 | 25.4 | 39.9 | 19.1 | 19.1 | 19.1 | 33.8 | 99.6 | 11.4 |



Interchangeable Products

HBK®
SP4M

Specifications

- Full Scale Output:**
2.0 mV/V
- Output Resistance:**
350 (± 3) ohm
- Input Resistance:**
350 ohm
- Material/Finish:**
Anodized aluminum
- Temperature:**
Compensated:
14 °F to 104 °F (-10 °C to 40 °C)
Operating:
0 °F to 150 °F (-18 °C to 65 °C)
- Seal Type:**
Environmentally sealed, IP66
- Safe Overload:**
150% full scale
- Rated Excitation:**
5 to 10 VDC (15 V maximum)
- Combined Error:**
0.02% full scale
- Insulation Resistance:**
5,000 megohm
- Deflection at Capacity:**
0.4 mm
- Cable Length:**
10 ft
- Cable Diameter:**
0.19 in PVC jacket
- Cable Color Code:**
Green +Excitation
Black -Excitation
Red +Signal
White -Signal
Blue +Sense
Brown -Sense
Yellow Shield
- Max Platform Size:**
5 to 10 kg: 12 × 12 in
15 to 30 kg: 18 × 18 in
50 to 100 kg: 24 × 24 in
- Warranty:**
Two-year limited
- Approvals:**
FM
NTEP 05-114

Limited Stock Available

SINGLE POINT
RLPWM12

Aluminum, Environmentally Sealed, NTEP Certified 1:5,000 Class III Single Cell, IP67



Picture is a representation of actual product.

Approvals

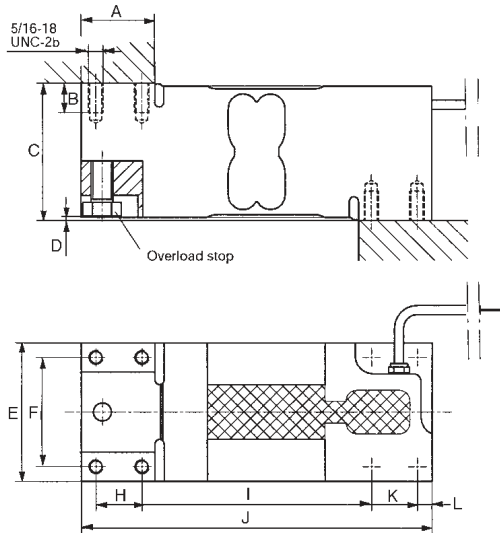


Order Information

| Load Rating | Part # | Est. Weight | Price |
|-------------|--------------|-------------|----------|
| 500 kg | 91681 | 6 lb | \$334.00 |
| 1,000 kg | 91683 | 6 lb | \$334.00 |

Dimensions

| Rated Capacity | A | B | C | D | E | F | H | I | J | K | L |
|----------------|------|------|------|-----|------|------|------|-------|-------|------|-----|
| kg/mm | | | | | | | | | | | |
| 500 to 1,000 | 40.0 | 16.0 | 75.0 | 1.5 | 76.0 | 60.0 | 25.0 | 125.0 | 191.0 | 25.0 | 8.0 |



Interchangeable Products

VPG® TEDEA-HUNTLEIGH®
1250

Specifications

Full Scale Output:
2.0 mV/V

Output Resistance:
330 to 450 ohm, nominal

Input Resistance:
300 to 500 ohm

Material/Finish:
Aluminum

Temperature:
Compensated:
14 °F to 104 °F (-10 °C to 40 °C)
Operating:
0 °F to 150 °F (-18 °C to 65 °C)

Seal Type:
Environmentally sealed, IP67

Safe Overload:
150% full scale

Rated Excitation:
5 to 10 VDC (15 V maximum)

Combined Error:
0.02% full scale

Insulation Resistance:
1,000 megohm

Cable Length:
10 ft

Cable Diameter:
0.190 in PVC jacket

Cable Color Code:
Green +Excitation
Black -Excitation
Red +Signal
White -Signal
Blue +Sense
Brown -Sense

Max Platform Size:
30 × 30 in

Warranty:
Two-year limited

Approvals:
FM
NTEP 05-113

LOAD CELLS / WEIGH MODULES

RLPWM16

Aluminum, Environmentally Sealed, NTEP Certified 1:5,000 Class III Single Cell, IP67



LOAD CELLS / WEIGH MODULES



Picture is a representation of actual product.

Approvals

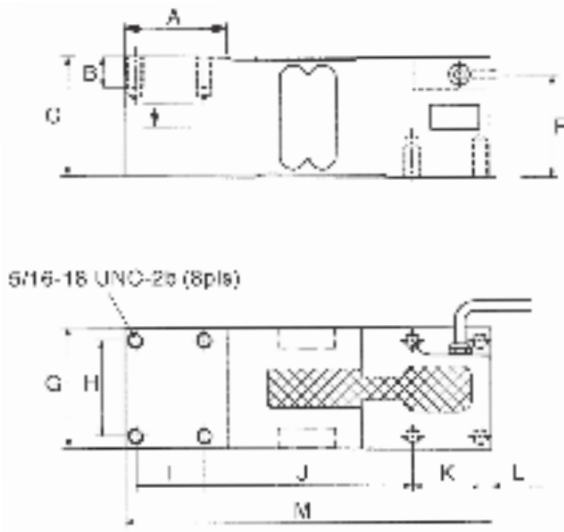


Order Information

| Load Rating | Part # | Est. Weight | Price |
|-------------|--------|-------------|----------|
| 75 kg | 91686 | 5 lb | \$313.00 |

Dimensions

| Rated Capacity | A | B | C | F | G | H | I | J | K | L | M |
|----------------|------|------|------|------|------|------|------|-------|------|-----|-------|
| kg/mm | | | | | | | | | | | |
| 75 | 52.0 | 16.0 | 62.3 | 52.3 | 63.0 | 50.0 | 35.0 | 107.0 | 35.0 | 5.5 | 188.0 |



Interchangeable Products

RICE LAKE WEIGHING SYSTEMS
RL1260
 VPG® TEDEA-HUNTLEIGH®
1260

Specifications

- Full Scale Output:**
2.0 mV/V
- Output Resistance:**
300 to 500 ohm
- Input Resistance:**
300 to 500 ohm
- Material/Finish:**
Aluminum
- Temperature:**
Compensated:
14 °F to 104 °F (-10 °C to 40 °C)
Operating:
0 °F to 150 °F (-18 °C to 65 °C)
- Seal Type:**
Environmentally sealed, IP67
- Safe Overload:**
150% full scale
- Rated Excitation:**
5 to 10 VDC (15 V maximum)
- Combined Error:**
0.02% full scale
- Insulation Resistance:**
1,000 megohm
- Cable Length:**
10 ft
- Cable Diameter:**
0.190 in PVC jacket
- Deflection at Capacity:**
50 to 635 kg < 0.6 mm
- Cable Color Code:**
Green +Excitation
Black -Excitation
Red +Signal
White -Signal
Blue +Sense
Brown -Sense
- Max Platform Size:**
24 x 24 in
- Warranty:**
Two-year limited
- Approvals:**
FM
NTEP 05-112

Limited Stock Available

SINGLE POINT
RL1042

Aluminum, Environmentally Sealed, NTEP Certified 1:5,000 Class III Single Cell, IP66

LOAD CELLS /
WEIGH MODULES



Picture is a representation of actual product.

Approvals

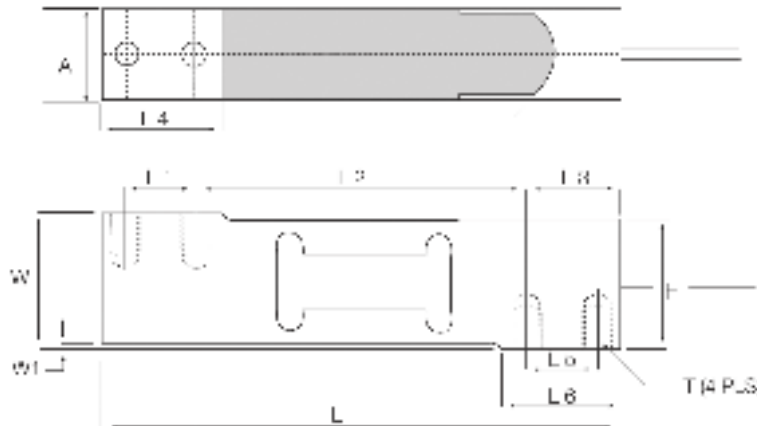


Order Information

| Load Rating | Part # | Est. Weight | Price |
|-------------|--------|-------------|----------|
| 1 kg | 40955 | 1 lb | \$190.00 |

Dimensions

| Rated Capacity | A | H | L | L1 | L2 | L3 | L4 | L5 | L6 | W | W1 | T |
|----------------|------|------|-------|------|-------|------|------|------|------|------|-----|-----------|
| kg/mm | | | | | | | | | | | | |
| 1 | 20.0 | 39.0 | 150.0 | 19.0 | 100.0 | 25.0 | 34.0 | 19.0 | 34.0 | 40.0 | 1.0 | 1/4-20UNC |



Interchangeable Products

RICE LAKE WEIGHING SYSTEMS

RLSP4

VPG® TEDEA-HUNTLEIGH®

1042

HBK®

SP4M

FLINTEC®

PC 42

Specifications

Full Scale Output:

2.0 mV/V

Output Resistance:

350 (± 3) ohm

Input Resistance:

415 (± 15) ohm

Material/Finish:

Aluminum

Temperature:

Compensated:

14 °F to 104 °F (-10 °C to 40 °C)

Operating:

0 °F to 150 °F (-18 °C to 65 °C)

Seal Type:

Environmentally sealed, IP66

Safe Overload:

150% full scale

Over-center loading point

Rated Excitation:

5 to 10 VDC (15 V maximum)

Combined Error:

0.02% full scale

Insulation Resistance:

2,000 megohm

Deflection at Capacity:

0.015 in

Cable Length:

10 ft

Cable Diameter:

0.200 in PVC jacket

Cable Color Code:

Green +Excitation

Black -Excitation

Red +Signal

White -Signal

Blue +Sense

Brown -Sense

Max Platform Size:

16 × 16 in

Warranty:

Two-year limited

Approvals:

FM

NTEP 97-138

SINGLE POINT
RL1040

Aluminum, NTEP Certified 1:5,000 Class III Single Cell, Potted and Unpotted, IP65/IP67

LOAD CELLS /
WEIGH MODULES



Picture is a representation of actual product.

Approvals

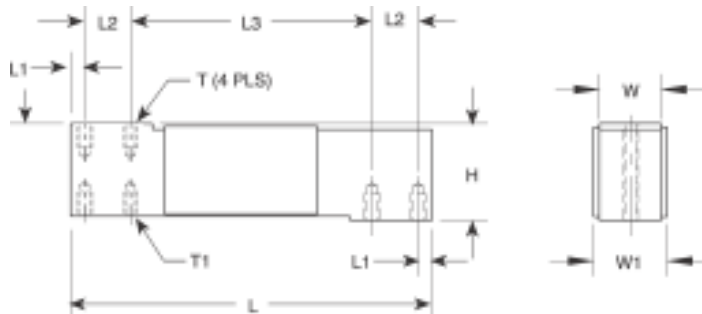


Order Information

| Load Rating | Part # | Est. Weight | Price |
|----------------------|--------|-------------|----------|
| Potted IP67 | | | |
| 7 kg | 32860 | 2 lb | \$206.00 |
| 10 kg | 32861 | 2 lb | \$206.00 |
| 15 kg | 32862 | 2 lb | \$206.00 |
| 20 kg | 32863 | 2 lb | \$206.00 |
| 30 kg | 32864 | 2 lb | \$206.00 |
| 50 kg | 32865 | 2 lb | \$206.00 |
| 100 kg | 32866 | 2 lb | \$206.00 |
| Unpotted IP65 | | | |
| 5 kg | 32859 | 2 lb | \$206.00 |

Dimensions

| Rated Capacity | H | L | L1 | L2 | L3 | T | T1 | W | W1 |
|----------------|------|-------|------|------|-------|--------------------|--------------------|------|------|
| kg/mm | | | | | | | | | |
| 5 to 100 | 40.0 | 150.0 | 5.95 | 19.1 | 100.0 | 1/4-20 UNC × 10 DP | 1/4-28 UNF × 10 DP | 25.4 | 29.4 |



Interchangeable Products

VPG® TEDEA-HUNTLEIGH®
1040
CARDINAL®
TSP

Specifications

- Full Scale Output:**
2.0 mV/V
- Output Resistance:**
350 (± 3) ohm
- Input Resistance:**
415 (± 5) ohm
- Material/Finish:**
Anodized aluminum
- Temperature:**
Compensated:
14 °F to 104 °F (-10 °C to 40 °C)
Operating:
0 °F to 150 °F (-18 °C to 65 °C)
- Seal Type:**
Potted, IP67
Unpotted, IP65
- Safe Overload:**
200% at center loading point, full scale
- Rated Excitation:**
5 to 10 VDC (15 V maximum)
- Combined Error:**
0.02% full scale
- Insulation Resistance:**
2,000 megohm
- Deflection at Capacity:**
0.4 mm
- Cable Length:**
10 ft
- Cable Diameter:**
0.200 in PVC jacket
- Cable Color Code:**
Green +Excitation
Black -Excitation
Red +Signal
White -Signal
Blue +Sense
Brown -Sense
- Max Platform Size:**
15.75 × 15.75 in
- Warranty:**
Two-year limited
- Approvals:**
cFMus
NTEP 95-074



Picture is a representation of actual product.

Approvals

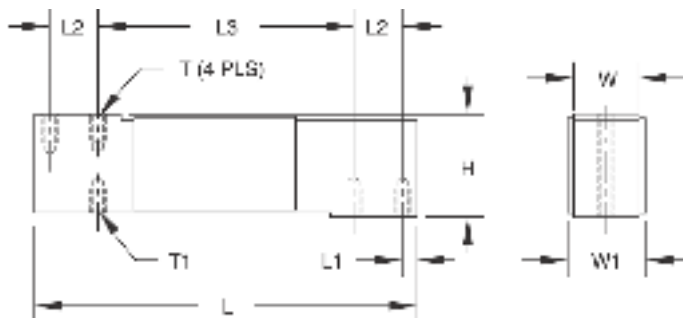


Order Information

| Load Rating | Part # | Est. Weight | Price |
|-------------|--------|-------------|----------|
| 15 kg | 17544 | 3 lb | \$339.00 |
| 30 kg | 17545 | 3 lb | \$339.00 |
| 50 kg | 17546 | 3 lb | \$339.00 |
| 75 kg | 17547 | 3 lb | \$339.00 |
| 100 kg | 17548 | 3 lb | \$339.00 |
| 150 kg | 36467 | 3 lb | \$339.00 |

Dimensions

| Rated Capacity | H | L | L1 | L2 | L3 | T | T1 | W | W1 |
|----------------|------|-------|-----|------|-------|--------------------|--------------------|------|------|
| kg/mm | | | | | | | | | |
| 15 to 150 | 40.0 | 150.0 | 6.0 | 19.1 | 100.0 | 1/4-20 UNC × 10 DP | 1/4-28 UNF × 10 DP | 25.4 | 29.4 |



Interchangeable Products

VPG® TEDEA-HUNTLEIGH®
1140

Specifications

Full Scale Output:
2.0 mV/V

Output Resistance:
350 (± 5) ohm, nominal

Input Resistance:
383 (± 15) ohm

Material/Finish:
Stainless steel

Temperature:
Operating:
14 °F to 104 °F (-10 °C to 40 °C)
Compensated:
14 °F to 104 °F (-10 °C to 40 °C)

Seal Type:
Environmentally sealed, IP65

Safe Overload:
200% at center loading point,
full scale

Rated Excitation:
5 to 10 VDC (15 V maximum)

Combined Error:
0.02% full scale

Insulation Resistance:
2,000 megohm

Deflection at Capacity:
0.4 mm

Cable Length:
10 ft

Cable Diameter:
0.200 in PVC jacket

Cable Color Code:
Green +Excitation
Black -Excitation
Red +Signal
White -Signal
Blue +Sense
Brown -Sense

Max Platform Size:
15.75 × 15.75 in

Warranty:
Two-year limited

Approvals:
cFMus

SINGLE POINT
RL1380

Stainless Steel, Environmentally Sealed, NTEP Certified 1:3,000 Class III Single Cell, IP67

LOAD CELLS /
WEIGH MODULES



Picture is a representation of actual product.

Approvals

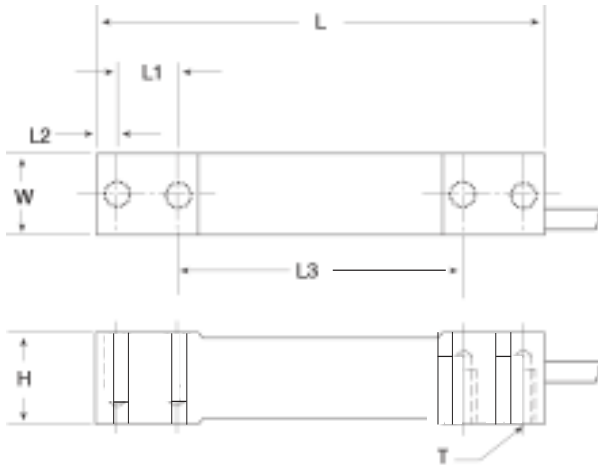


Order Information

| Load Rating | Part # | Est. Weight | Price |
|-------------|--------|-------------|----------|
| 7 kg | 30783 | 2 lb | \$344.50 |
| 10 kg | 30782 | 2 lb | \$344.50 |
| 15 kg | 30781 | 2 lb | \$344.50 |
| 30 kg | 30780 | 2 lb | \$344.50 |
| 60 kg | 30779 | 2 lb | \$344.50 |

Dimensions

| Rated Capacity | H | L | L1 | L2 | L3 | T | W |
|----------------|------|-------|------|-----|------|------------|------|
| kg/mm | | | | | | | |
| 7 to 15 | 30.2 | 139.7 | 19.1 | 6.4 | 88.9 | 1/4-20 UNC | 19.0 |
| 30 to 60 | 30.2 | 139.7 | 19.1 | 6.4 | 88.9 | 1/4-20 UNC | 23.6 |



Interchangeable Products

HBK®
PWS

Specifications

- Full Scale Output:**
2.0 mV/V
- Output Resistance:**
359 (± 10) ohm
- Input Resistance:**
390 (± 15) ohm
- Material/Finish:**
Stainless steel
- Temperature:**
Compensated:
14 °F to 104 °F (-10 °C to 40 °C)
Operating:
0 °F to 150 °F (-18 °C to 65 °C)
- Seal Type:**
Environmentally sealed, IP67
- Safe Overload:**
150% full scale
- Rated Excitation:**
5 to 10 VDC (15 V maximum)
- Combined Error:**
0.03% full scale
- Insulation Resistance:**
5,000 megohm
- Deflection at Capacity:**
<0.4 mm full scale
- Cable Length:**
10 ft
- Cable Diameter:**
0.190 in
Polyurethane jacket
- Cable Color Code:**
Green +Excitation
Black -Excitation
White +Signal
Red -Signal
Yellow Shield
- Max Platform Size:**
15.75 × 15.75 in
- Warranty:**
Two-year limited
- Approvals:**
FM
NTEP 94-128



Picture is a representation of actual product.

Approvals

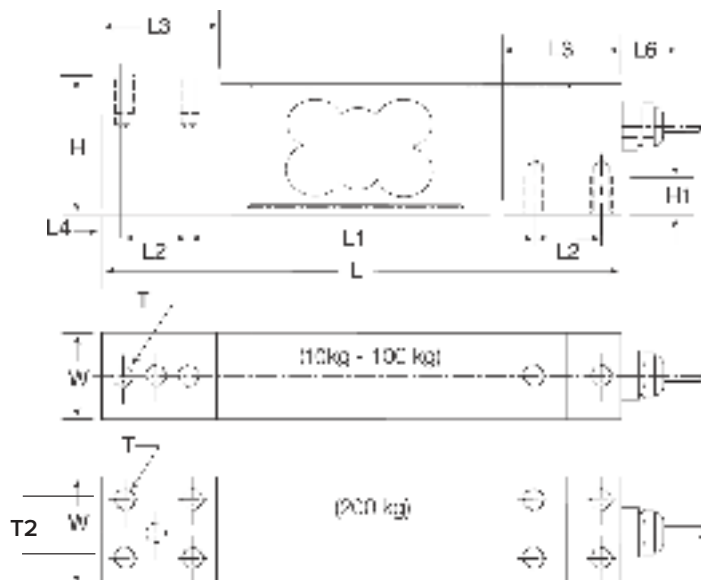


Order Information

| Load Rating | Part # | Est. Weight | Price |
|---------------------------|--------|-------------|----------|
| NTEP Certified | | | |
| 10 kg | 41405 | 3 lb | \$328.00 |
| 15 kg | 41233 | 3 lb | \$328.00 |
| 30 kg | 41234 | 3 lb | \$328.00 |
| 50 kg | 41235 | 3 lb | \$328.00 |
| 75 kg | 41236 | 3 lb | \$328.00 |
| Non-NTEP Certified | | | |
| 100 kg | 41237 | 3 lb | \$310.00 |
| 200 kg | 41406 | 4 lb | \$477.00 |

Dimensions

| Rated Capacity | H | H1 | L | L1 | L2 | L3 | L4 | L6 | W | T | T2 |
|----------------|------|------|-------|-------|------|------|-----|------|------|----------------------|------|
| kg/mm | | | | | | | | | | | |
| 10 to 100 | 40.0 | 10.0 | 150.0 | 100.0 | 19.0 | 32.0 | 6.0 | 20.0 | 25.4 | 1/4-20 UNC x 19.1 DP | N/A |
| 200 | 40.0 | 10.0 | 150.0 | 100.0 | 19.0 | 32.0 | 6.0 | 20.0 | 38.1 | 1/4-20 UNC x 19.1 DP | 25.4 |



Interchangeable Products

FLINTEC®
PC1

Specifications

- Full Scale Output:** 2.0 mV/V
- Output Resistance:** 330 (± 25) ohm
- Input Resistance:** 390 (± 20) ohm
- Material/Finish:** Stainless steel
- Temperature:** Operating: 0 °F to 150 °F (-18 °C to 65 °C)
- Seal Type:** Environmentally sealed, IP67
- Safe Overload:** 200% full scale
- Rated Excitation:** 5 VDC (15 V maximum)
- Combined Error:** 0.02% full scale
- Insulation Resistance:** 5,000 megohm
- Cable Length:** 10 ft
- Cable Diameter:** 0.196 in Polyurethane jacket
- Cable Color Code:** Green +Excitation, Black -Excitation, White +Signal, Red -Signal, Yellow Shield
- Max Platform Size:** 18 × 18 in
- Warranty:** Two-year limited
- Approvals:** FM, NTEP 00-125

SINGLE POINT
RL260FD

Fluid Damped, Stainless Steel, Environmentally Sealed, NTEP Certified Single Cell 1:3,000, IP68

LOAD CELLS /
WEIGH MODULES



Protective Cover

Picture is a representation of actual product.

Approvals

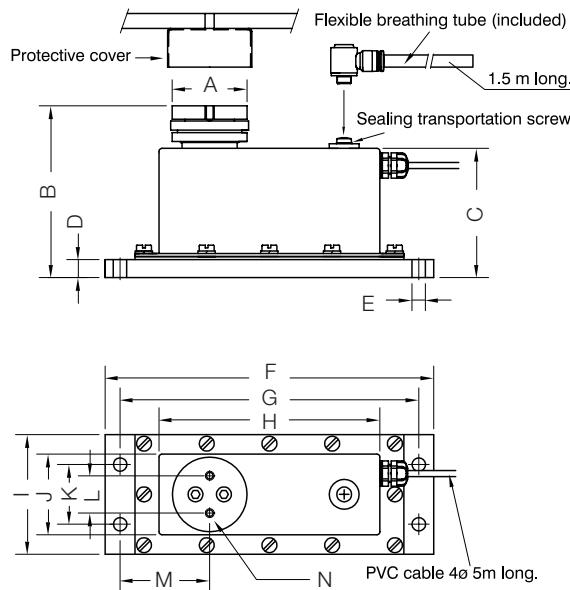


Order Information

| Load Rating | Part # | Est. Weight | Price |
|-------------|--------|-------------|----------|
| 2 kg | 194928 | 8 lb | \$710.00 |
| 3 kg | 199001 | 8 lb | \$710.00 |
| 5 kg | 194929 | 8 lb | \$710.00 |
| 7 kg | 194930 | 8 lb | \$710.00 |
| 10 kg | 194932 | 8 lb | \$710.00 |
| 15 kg | 194933 | 8 lb | \$710.00 |
| 20 kg | 194934 | 8 lb | \$710.00 |
| 30 kg | 194935 | 8 lb | \$710.00 |
| 50 kg | 194936 | 16 lb | \$710.00 |

Dimensions

| Rated Capacity | A | B | C | D | E | F | G | H | I | J | K | L | M | N |
|----------------|--------|-------|------|------|-----|-------|-------|-------|------|------|------|------|------|------------|
| kg/mm | | | | | | | | | | | | | | |
| 2 to 50 | 50 dia | 115.0 | 86.5 | 12.0 | 9.0 | 220.0 | 200.0 | 148.0 | 80.0 | 54.0 | 40.0 | 25.0 | 60.0 | 1/4-20 UNC |



Interchangeable Products

VPG® TEDEA-HUNTLEIGH®
240*

*5000d NTEP, 10ft cable

Specifications

Full Scale Output:

2.0 mV/V

Output Resistance:

350 (± 3) ohm

Input Resistance:

400 (± 20) ohm

Material/Finish:

Stainless steel

Temperature:

Compensated:

14 °F to 104 °F (-10 °C to 40 °C)

Operating:

0 °F to 150 °F (-18 °C to 65 °C)

Seal Type:

Environmentally sealed, IP68

Safe Overload:

200% of full scale

Rated Excitation:

5 to 10 VDC

Combined Error:

0.017% full scale

Insulation Resistance:

> 5,000 megohm

Cable Length:

5 m

Cable Color Code:

Green +Excitation

Black -Excitation

Red +Signal

White -Signal

Blue +Sense

Yellow -Sense

Warranty:

Two-year limited

Approvals:

NTEP 20-045

cFMus



Picture is a representation of actual product.

Approvals

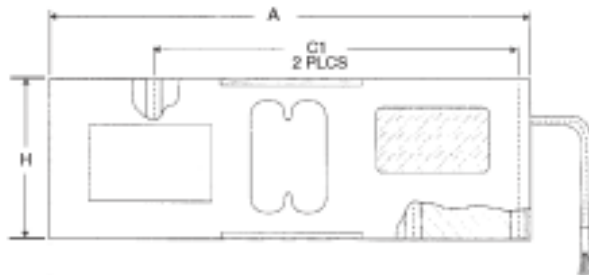


Order Information

| Load Rating | Part # | Est. Weight | Price |
|-------------|---------------|-------------|----------|
| 50 kg | 188682 | 5 lb | \$290.00 |
| 75 kg | 188683 | 5 lb | \$290.00 |
| 100 kg | 188684 | 5 lb | \$290.00 |
| 150 kg | 188685 | 5 lb | \$290.00 |
| 200 kg | 188686 | 5 lb | \$290.00 |
| 250 kg | 188687 | 5 lb | \$290.00 |
| 300 kg | 188688 | 5 lb | \$290.00 |
| 500 kg | 188689 | 5 lb | \$290.00 |
| 635 kg | 188690 | 5 lb | \$290.00 |

Dimensions

| Rated Capacity | A | B | C | C1 | D | E | F | G | H |
|----------------|-------|------|------|-------|-----|------|------|-------------|------|
| kg/mm | | | | | | | | | |
| 50 to 635 | 188.0 | 52.0 | 35.0 | 142.0 | 5.5 | 63.5 | 50.0 | 5/16-18 UNC | 62.3 |



Interchangeable Products

RICE LAKE WEIGHING SYSTEMS

RLPWM16

RICE LAKE WEIGHING SYSTEMS

RL1260

VPG® TEDEA-HUNTLEIGH®

1260

Specifications

Full Scale Output:

2.0 mV/V nominal

Output Resistance:

350 (± 3) ohm

Input Resistance:

415 (± 15) ohm

Material/Finish:

Anodized aluminum

Temperature:

Compensated:

14 °F to 104 °F (-10 °C to 40 °C)

Operating:

0 °F to 150 °F (-18 °C to 65 °C)

Seal Type:

Environmentally sealed, IP67

Safe Overload:

150% of full scale

Rated Excitation:

5 to 10 VDC (15 V maximum)

Combined Error:

0.02% full scale

Insulation Resistance:

> 5,000 megohm

Deflection at Capacity:

0.3 to 0.5 mm

Cable Length:

10 ft

Cable Color Code:

Green +Excitation

Black -Excitation

Red +Signal

White -Signal

Blue +Sense

Yellow -Sense

Warranty:

Two-year limited

Approvals:

cFMus

NTEP 18-108

SINGLE POINT
RL1218A

Aluminum, Environmentally Sealed, NTEP Certified 1:5,000 Class III Single Cell, IP67

LOAD CELLS /
WEIGH MODULES



Picture is a representation of actual product.

Approvals

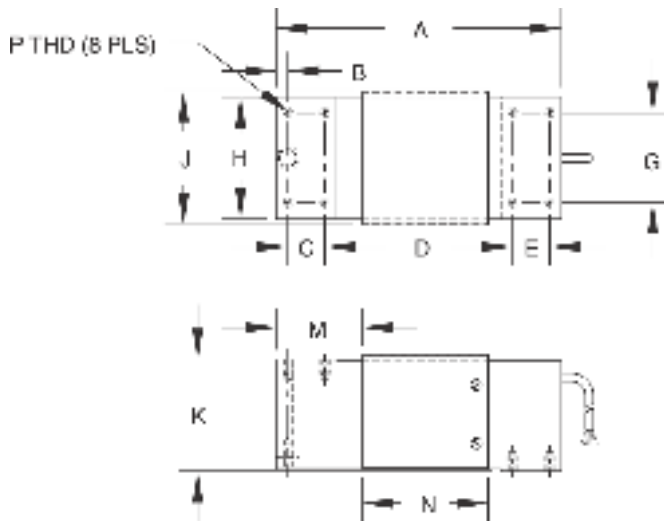


Order Information

| Load Rating | Part # | Est. Weight | Price |
|-------------|--------|-------------|----------|
| 50 kg | 191096 | 5 lb | \$328.00 |
| 75 kg | 191097 | 5 lb | \$328.00 |
| 100 kg | 191098 | 5 lb | \$328.00 |
| 150 kg | 191099 | 5 lb | \$328.00 |
| 200 kg | 191100 | 5 lb | \$328.00 |
| 250 kg | 191101 | 5 lb | \$328.00 |
| 300 kg | 191102 | 5 lb | \$328.00 |
| 500 kg | 191103 | 5 lb | \$328.00 |
| 635 kg | 191104 | 5 lb | \$328.00 |
| 1,000 kg | 191105 | 5 lb | \$328.00 |

Dimensions

| Rated Capacity | A | B | C | D | E | G | H | J | K | M | N | P |
|----------------|-------|-----|------|-------|------|------|------|------|------|------|------|---------------------|
| kg/mm | | | | | | | | | | | | |
| 50 to 1,000 | 191.0 | 8.0 | 25.0 | 125.0 | 25.0 | 60.0 | 75.0 | 82.0 | 75.0 | 57.5 | 85.0 | 5/16-18 UNC x 15 DP |



Interchangeable Products

RICE LAKE WEIGHING SYSTEMS
RLPWM12
VPG® TEDEA-HUNTLEIGH®
1250

Specifications

- Full Scale Output:** 2.0 mV/V nominal
- Output Resistance:** 350 (± 3) ohm
- Input Resistance:** 415 (± 15) ohm
- Material/Finish:** Anodized aluminum
- Temperature:** Compensated: 14 °F to 104 °F (-10 °C to 40 °C)
Operating: 0 °F to 150 °F (-18 °C to 65 °C)
- Seal Type:** Environmentally sealed, IP67
- Safe Overload:** 150% full scale
- Rated Excitation:** 5-10 VDC (15 V maximum)
- Combined Error:** 0.02% full scale
- Insulation Resistance:** > 5,000 megohm
- Deflection at Capacity:** 0.4 mm
- Cable Length:** 10 ft
- Cable Color Code:** Green +Excitation
Black -Excitation
Red +Signal
White -Signal
Blue +Sense
Yellow -Sense
- Max Platform Size:** 50 to 500 kg: 800 × 800 mm
635 to 1,000 kg: 600 × 600 mm
- Warranty:** Two-year limited
- Approvals:** cFMus
NTEP 18-133



Picture is a representation of actual product.

Approvals

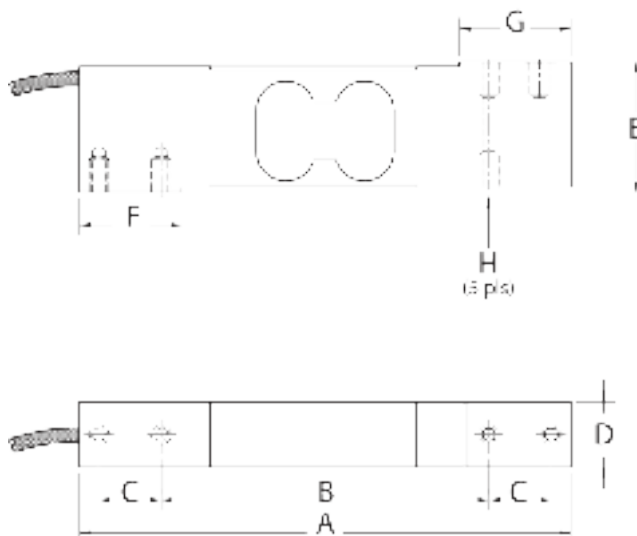


Order Information

| Load Rating | Part # | Est. Weight | Price |
|-------------|---------------|-------------|----------|
| 3 kg | 188672 | 2 lb | \$190.00 |
| 5kg | 188673 | 2lb | \$190.00 |
| 7 kg | 188674 | 2lb | \$190.00 |
| 10 kg | 188675 | 2lb | \$190.00 |
| 15 kg | 188676 | 2lb | \$190.00 |
| 20 kg | 188677 | 2lb | \$190.00 |
| 30 kg | 188678 | 2lb | \$190.00 |
| 50 kg | 188679 | 2lb | \$190.00 |
| 75 kg | 188680 | 2lb | \$190.00 |
| 100 kg | 188681 | 2lb | \$190.00 |

Dimensions

| Rated Capacity | A | B | C | D | E | F | G | H |
|----------------|-------|-------|------|------|------|------|------|------------|
| kg/mm | | | | | | | | |
| 3 to 30 | 150.0 | 100.0 | 19.0 | 20.0 | 40.0 | 31.2 | 34.0 | 1/4-20 UNC |
| 50 to 100 | 150.0 | 100.0 | 19.0 | 25.4 | 40.0 | 31.2 | 34.0 | 1/4-20 UNC |



Interchangeable Products

RICE LAKE WEIGHING SYSTEMS

RL1042

RICE LAKE WEIGHING SYSTEMS

RLSP4

VPG® TEDEA-HUNTLEIGH®

1042

HBK®

SP4M*

*Color code is different

Specifications

Full Scale Output:

2.0 mV/V ± 10%

Output Resistance:

350 (± 3) ohm

Input Resistance:

400 (± 20) ohm

Material/Finish:

Aluminum

Temperature:

Compensated:

14 °F to 104 °F (-10 °C to 40 °C)

Operating:

0 °F to 150 °F (-18 °C to 65 °C)

Seal Type:

Environmentally sealed, IP66

Safe Overload:

150% of full scale at center loading point

Rated Excitation:

10 VDC

Combined Error:

0.02% full scale

Insulation Resistance:

> 5,000 megohm

Deflection at Capacity:

0.3 to 0.5 mm

Cable Length:

10 ft

Cable Color Code:

Green +Excitation

Black -Excitation

Red +Signal

White -Signal

Blue +Sense

Yellow -Sense

Max Platform Size:

15.75 × 15.75 in max

Warranty:

Two-year limited

Approvals:

cFMus

NTEP 18-105



LOAD CELLS / WEIGH MODULES



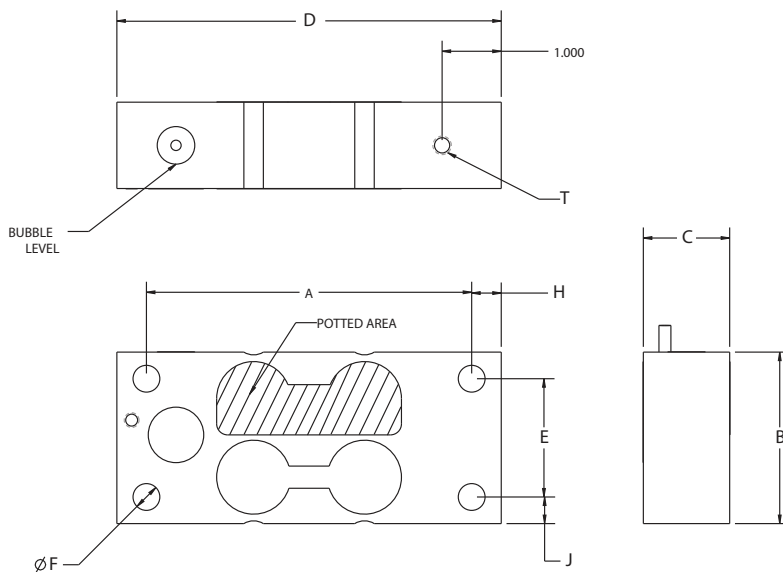
Picture is a representation of actual product.

Order Information

| Load Rating | Part # | Est. Weight | Price |
|-------------|--------|-------------|----------|
| 50 lb | 125612 | 3 lb | \$650.00 |

Dimensions

| Rated Capacity | A | B | C | D | E | F | H | J | T |
|----------------|------|------|------|------|------|------|------|------|--------------------|
| 50 lb/in | 5.50 | 2.90 | 0.74 | 6.50 | 2.00 | 0.50 | 0.50 | 0.45 | 5/16-18 UNC x 0.50 |



Interchangeable Products

AVERY WEIGH-TRONIX®
FLS

Specifications

- Full Scale Output:**
1.0 (± 10%) mV/V
- Output Resistance:**
350 (± 3) ohm
- Input Resistance:**
385 (± 10) ohm
- Material/Finish:**
Stainless steel
- Temperature:**
Operating:
0 °F to 150 °F (-18 °C to 65 °C)
- Seal Type:**
Environmentally sealed, IP67
- Safe Overload:**
150% full scale
- Rated Excitation:**
5 to 15 VDC
- Nonlinearity:**
0.02% full scale
- Hysteresis:**
0.02% full scale
- Insulation Resistance:**
5,000 megohm
- Cable Length:**
10 ft
- Cable Color Code:**
Green +Excitation
Black -Excitation
Red +Signal
White -Signal
- Warranty:**
Two-year limited



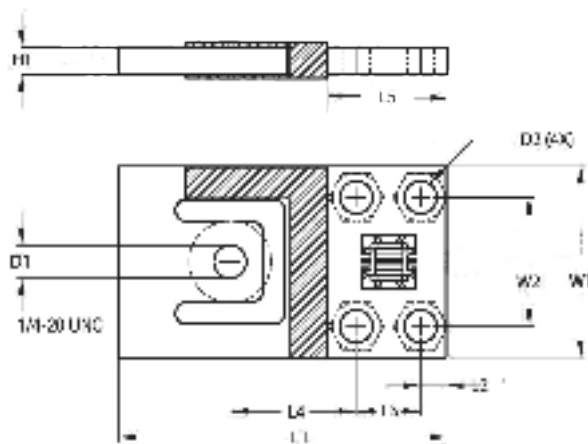
Picture is a representation of actual product.

Order Information

| Load Rating | Part # | Est. Weight | Price |
|-------------|--------|-------------|----------|
| 15 kg | 100272 | 1 lb | \$87.00 |
| 37.5 kg | 104645 | 1 lb | \$92.00 |
| 75 kg | 100273 | 1 lb | \$97.00 |
| 150 kg | 100274 | 1 lb | \$102.00 |

Dimensions

| Rated Capacity | L1 | L2 | L3 | L4 | L5 | W1 | W2 | H1 | D1 | D2 |
|----------------|-------|-----|------|------|------|------|------|-----|-----|-----|
| kg/mm | | | | | | | | | | |
| 15.0 | 70.0 | 4.9 | 14.0 | 28.0 | 23.7 | 39.0 | 27.8 | 4.1 | 7.6 | 5.1 |
| 37.5 | 76.2 | 6.0 | 15.0 | 29.3 | 27.0 | 44.5 | 30.0 | 4.8 | 7.6 | 6.6 |
| 75.0 | 84.4 | 6.4 | 15.0 | 34.0 | 27.7 | 54.8 | 30.0 | 6.4 | 7.6 | 6.6 |
| 150.0 | 107.3 | 7.8 | 22.9 | 45.9 | 38.4 | 69.9 | 44.5 | 7.9 | 9.1 | 8.1 |



Interchangeable Products

FLINTEC®
PB

Specifications

- Full Scale Output:**
1.0 mV/V
- Output Resistance:**
1,000 (± 10) ohm
- Input Resistance:**
1,180 (± 50) ohm
- Material/Finish:**
Aluminum
- Temperature:**
Operating:
0 °F to 150 °F (-18 °C to 65 °C)
- Seal Type:**
Environmentally sealed, IP65
- Safe Overload:**
150% full scale
- Rated Excitation:**
5 to 15 VDC
- Combined Error:**
0.05% full scale
- Insulation Resistance:**
5,000 megohm
- Cable Length:**
15 kg: 1.0 m
37.5 kg, 75 kg, 150 kg: 1.5 m
- Cable Color Code:**
Green +Excitation
Black -Excitation
White +Signal
Red -Signal
- Warranty:**
Two-year limited

LOAD CELLS / WEIGH MODULES

TENSION LINK
RL2010

Stainless Steel, Environmentally Sealed, IP67

LOAD CELLS /
WEIGH MODULES



Picture is a representation of actual product.

Specifications

- Full Scale Output:**
3.0 (± 0.1%) mV/V
- Bridge Resistance:**
350 ohm, nominal
- Material/Finish:**
Stainless steel
- Temperature:**
Operating:
0 °F to 150 °F (-18 °C to 65 °C)
- Seal Type:**
Environmentally sealed, IP67
- Safe Overload:**
150% full scale
- Rated Excitation:**
5 to 10 VDC (15 V maximum)
- Linearity:**
0.05% full scale
- Repeatability:**
0.03% full scale
- Insulation Resistance:**
5,000 megohm
- Cable Length:**
40 ft
- Cable Diameter:**
0.25 in
Polyurethane jacket with connector
- Cable Color Code:**
Green +Excitation
Black -Excitation
White +Signal
Red -Signal
- Warranty:**
Two-year limited

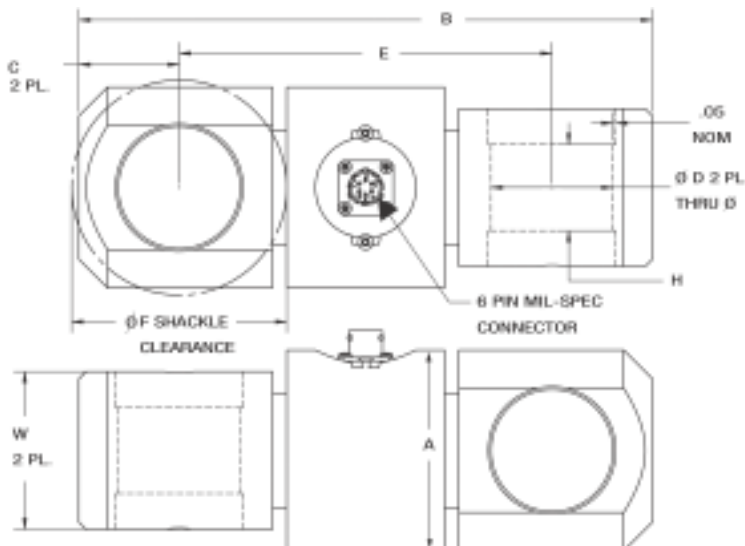
Order Information

| Load Rating | Part # | Est. Weight | Price |
|--------------------------|--------|-------------|------------|
| 5,000 lb | 117731 | 5 lb | \$1,430.00 |
| 10,000 lb | 117732 | 5 lb | \$1,430.00 |
| 25,000 lb | 117733 | 8 lb | \$1,690.00 |
| 50,000 lb | 117735 | 34 lb | \$2,915.00 |
| 75,000 lb | 117736 | 34 lb | \$2,915.00 |
| 100,000 lb | 117737 | 56 lb | \$3,127.00 |
| 150,000 lb | 117738 | 56 lb | \$3,127.00 |
| 200,000 lb | 117739 | 95 lb | \$5,565.00 |
| 250,000 lb | 117740 | 117 lb | \$5,989.00 |
| 300,000 lb | 117741 | 191 lb | \$8,427.00 |
| 500,000 lb | 117742 | 191 lb | \$8,427.00 |
| Replacement Parts | | | |
| 40 ft load cell cable | 187132 | | \$175.00 |

NOTE: Consult factory for shackles

Dimensions

| Rated Capacity | A | B | C | ØD | E | ØF | W | H |
|--------------------|------|-------|------|------|-------|------|------|------|
| 5,000 to 10,000 | 2.00 | 6.50 | 1.00 | 1.05 | 4.50 | 2.38 | 1.37 | 0.75 |
| 25,000 | 2.75 | 8.00 | 1.38 | 1.55 | 5.25 | 2.88 | 2.00 | 1.00 |
| 50,000 to 75,000 | 3.25 | 14.00 | 2.50 | 2.31 | 9.00 | 5.00 | 3.00 | 1.75 |
| 100,000 to 150,000 | 4.00 | 16.00 | 2.88 | 2.88 | 10.25 | 6.25 | 4.00 | 2.00 |
| 200,000 | 6.00 | 18.00 | 3.25 | 3.38 | 11.50 | 6.50 | 4.75 | 2.38 |
| 250,000 | 6.50 | 20.00 | 3.75 | 3.88 | 12.50 | 7.50 | 5.00 | 2.75 |
| 300,000 to 500,000 | 7.50 | 24.00 | 4.50 | 4.31 | 15.00 | 9.50 | 5.40 | 3.00 |





Standard Features

- Designed and manufactured to each integrated solution. Machined from 17-4 stainless steel for safety, strength and corrosion resistance.
- (Contact MSI for application consultation)

For most overhead weighing applications, traditional scales are an ideal solution. However, applications with limited to no headroom require specialty equipment beyond even reduced-height or low-profile crane scales.

One such solution is an MSI load pin sensor. A load pin sensor is a type of load cell that directly replaces clevis, pivot, normal shaft or equalizer pins. Load pin sensors are designed to be permanently installed, so they can continuously monitor vertical or horizontal tension. An integrated load pin provides load monitoring and overload protection without impacting headroom to promote safety and to prevent costly equipment damage.

Rice Lake's industry leading engineers design and manufacture custom load pin sensors for any application. Every load pin is constructed from stainless steel for safety, strength (minimum 5:1) and corrosion resistance.

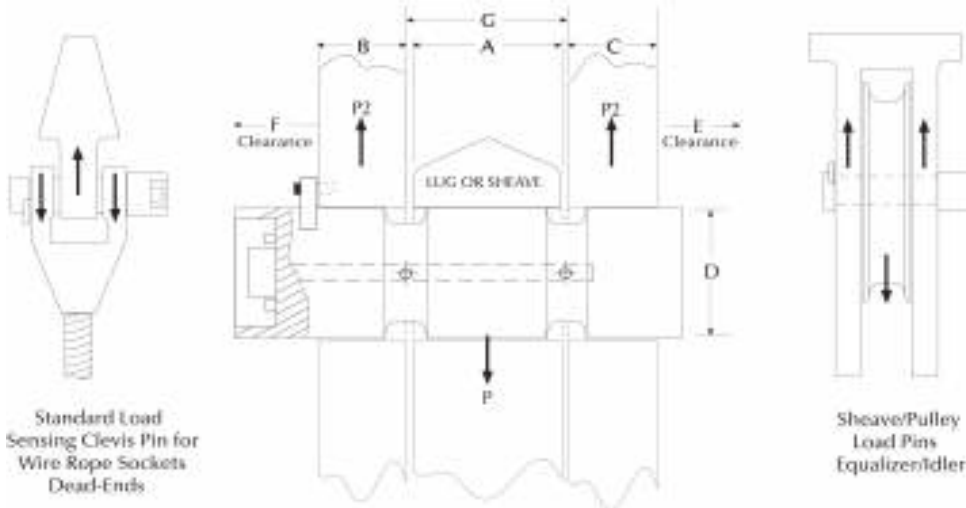
To receive a quote for a load pin sensor, complete the load pin questionnaire on page 784 or online at www.ricelake.com/questionnaires. For further assistance, contact an MSI overhead weighing specialist.

MSI Load Pin Questionnaire

LOAD CELLS / WEIGH MODULES

Name: _____
 Company: _____
 Phone: _____

LOAD PIN CRITICAL DIMENSIONS



| A=Width | B=Width | C=Width | D=Diameter | E=Clearance | F=Clearance | G=Width |
|---------|---------|---------|------------|-------------|-------------|---------|
| inch | inch | inch | inch | inch | inch | inch |

NOTE: Minimum clearance between A and G is 0.0625 inch

LOAD PIN DATA

Lube port: Yes No _____ # of exits
 Accuracy requirement: _____
 Hoist capacity: _____ tons
 Temperature requirement: _____
 Parts of wire rope: _____
 Output requirement: _____
 Sensor capacity: _____ tons
 Material testing requirements: _____
 Safety factor: 3:1 5:1 7:1 10:1
 Load vector orientation/alignment:
 Application: _____ ← → ↑ ↓

CABLE CONNECTIONS

End-mounted cable: Sensor's cable length: _____ feet
 End-mounted connector (standard): Comments: _____
 Side-mounted cable: _____
 Side-mounted connector: _____
 Recessed connector: _____

Form #0201 New 10/2024



Standard Features

- Integrates between a crane block and lifting equipment to provide force measurement for lifted items. This ideal integration for cranes features a 7:1 safety factor for compliance with industrial and military safety requirements.

Options

(Contact MSI for application consultation)

- Crosby® top and bottom shackles

Specifications

Full Scale Output:

0.8 mV/V

Output Resistance:

2,000 ohm

Input Resistance:

1,500 ohm

Material/Finish:

4340 steel

Connector Pin Out:

A: EX +

B: Sig +

C: Sig -

D: EX -

Accuracy:

0.1% sensor accuracy

Part Number/Price

| Part # | Description | Price |
|--------|---------------------------------|---------|
| 181907 | 2 K 7200 style load cell only | Consult |
| 181908 | 5 K 7200 style load cell only | Consult |
| 181909 | 10 K 7200 style load cell only | Consult |
| 178093 | 25 K 7200 style load cell only | Consult |
| 178094 | 50 K 7200 style load cell only | Consult |
| 181910 | 100 K 7200 style load cell only | Consult |

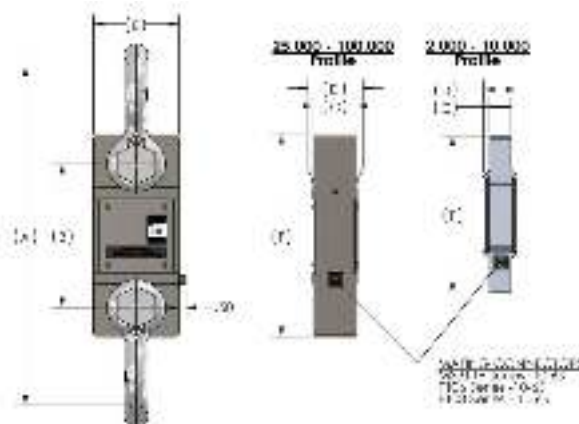
Contact factory for higher capacities

Options/Accessories

| Part # | Description | Price |
|--------|---|----------|
| 165978 | Load cell to MSI-7001 interface cable, 6.5 ft | \$345.00 |
| 165979 | Load cell to MSI-7001 interface cable, 10 ft | \$365.00 |
| 165990 | Load cell to MSI-7001 interface cable, 25 ft | \$460.00 |
| 134505 | Load cell mating cable to bare wires, 10 ft | \$195.00 |

Dimensions

| Capacity (lbs) | P/N | Load Cell Material | (A) Headroom Loss | (B) C-C Length | (C) Lug Thk | (D) Body Thk | (E) Body Width | (F) Body Length | Lug Hole | Crosby Shackle |
|----------------|--------|--------------------|-------------------|----------------|-------------|--------------|----------------|-----------------|----------|----------------|
| 2,000 | 181907 | Aluminum | 13.50 in | 8.00 in | 0.99 in | 2.13 in | 4.50 in | 9.75 in | 0.78 in | 3-1/4 T 151357 |
| 5,000 | 181908 | Aluminum | 13.50 in | 8.00 in | 0.99 in | 2.13 in | 4.50 in | 9.75 in | 0.78 in | 3-1/7 T 151357 |
| 10,000 | 181909 | Aluminum | 16.13 in | 8.50 in | 1.35 in | 2.13 in | 5.37 in | 10.75 in | 1.05 in | 6-1/2 T 151355 |
| 25,000 | 178093 | Steel | 22.39 in | 9.26 in | 2.24 in | 2.24 in | 4.80 in | 12.76 in | 1.67 in | 17 T 141992 |
| 50,000 | 178094 | Steel | 25.74 in | 9.76 in | 2.74 in | 2.81 in | 5.43 in | 13.76 in | 2.05 in | 25 T 151356 |
| 100,000 | 181910 | Steel | 28.49 in | 10.74 in | 3.09 in | 3.09 in | 6.86 in | 15.74 in | 2.30 in | 55 T 146336 |



MSI Clamp-On

Load Cell

LOAD CELLS /
WEIGH MODULES



Standard Features

- A durable solution for measuring wire rope tension and preventing overloads for cranes and hoists. Available in two envelopes for accommodating the most common wire ropes. Weight-based setpoints can provide the operator alerts and safety shut-offs based on unsafe load conditions.

Options

(Contact MSI for application consultation)

- Custom sizes available on request
- Pair with an SCT transmitter for basic safety functions

Specifications

System Accuracy of Calibrated Capacity:
3 to 5%

Output Resistance:
350 ohm

Material/Finish:
4340 steel, zinc plated

IP Rating:
IP68

Cable Length:
20 ft integral cable with blunt end termination

Cable Color Code:
Red +Excitation
Black -Excitation
Green +Signal
White -Signal

Part Number/Price

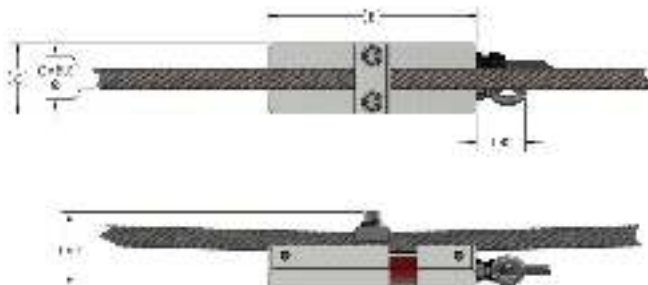
| Part # | Description | Price |
|--------|--|------------|
| 179080 | Load Cell Assembly Clamp-On for 3/8 to 1/2 in wire rope | \$790.00 |
| 179082 | Load Cell Assembly Clamp-On for 9/16 to 3/4 in wire rope | \$940.00 |
| 188816 | Kit with SCT-2200 for 3/8 to 1/2 in wire rope | \$1,400.00 |
| 188817 | Kit with SCT-2200 for 9/16 to 3/4 in wire rope | \$1,550.00 |

Larger diameter clamp ons available - call for pricing

Dimensions

| Cable Range | Part # | A | B | C |
|-------------|--------|--------------|------|------|
| 3/8 to 1/2 | 179080 | Cable + 1.70 | 6.00 | 2.00 |
| 9/16 to 3/4 | 179082 | Cable + 1.67 | 6.00 | 2.00 |

*8mm cable can be used with PN 179080



Optional SCT-2200 transmitter

Monorail Scales

TABLE OF CONTENTS

MS200 **788**

Portable Monorail Scale

MS202 **790**

Permanent Monorail Scale

The following product names, logos, brands and other trademarks featured or referred to within this publication are the property of their respective trademark holders.

MS200

Portable Monorail Scale

MONORAIL SCALES



Approvals



Measurement
Canada
Approved

Part Number/Price

| Part # | Description | Est. Weight | Price |
|---|---------------------------------|-------------|------------|
| MS200HB for 3/8-in or 1/2-in Rails | | | |
| 19743 | 750 x 0.5 lb, nickel-plated | 38 lb | \$2,650.00 |
| MS200HB for 1/2-in Rails | | | |
| 213006 | 1,500 x 0.5 lb, nickel-plated | 40 lb | \$2,650.00 |
| 213007 | 1,500 x 0.5 lb, stainless steel | 40 lb | \$2,950.00 |

Options/Accessories

| Part # | Description | Price |
|---------------|---|----------|
| 16984 | Additional operating manual | \$5.00 |
| 167585 | Replacement load cell for 750 lb cap monorail, model SPT 1510-500 kg, 20 ft cable | \$842.00 |
| 87026 | Replacement load cell for 1,500 lb cap monorail, model RLPCBC-60, 1,000 kg, 10 ft cable | \$980.00 |
| 216728 | Configuration and Monorail calibration | \$300.00 |

Standard Features

- 8-in live-rail designed to weigh one trolley at a time
- 750 × 0.5 lb (3/8 in rail)
- 1500 × 0.5 lb (1/2 in rail)
- Available for rail sizes 3/8 × 2-1/2 in or 1/2 × 2-1/2 in
- Requires less than 41 in of straight rail to install (22 inch between tail hangers)
- Nickel-plated mild steel and stainless steel construction available
- High accuracy, stainless steel load cell
- 20 ft of cable on 750 lb capacity models
- 15 ft of cable on 1500 lb capacity models
- Slightly recessed live-rail for the trolley roller provides stable weighments

Specifications

Construction:

Nickel-plated mild steel or stainless steel construction, stainless steel hardware

Load Cell Construction:

Stainless steel

Bridge Resistance:

350 ohms nominal

Rated Output:

2 mV/V

Nonlinearity:

0.03% full scale

Warranty:

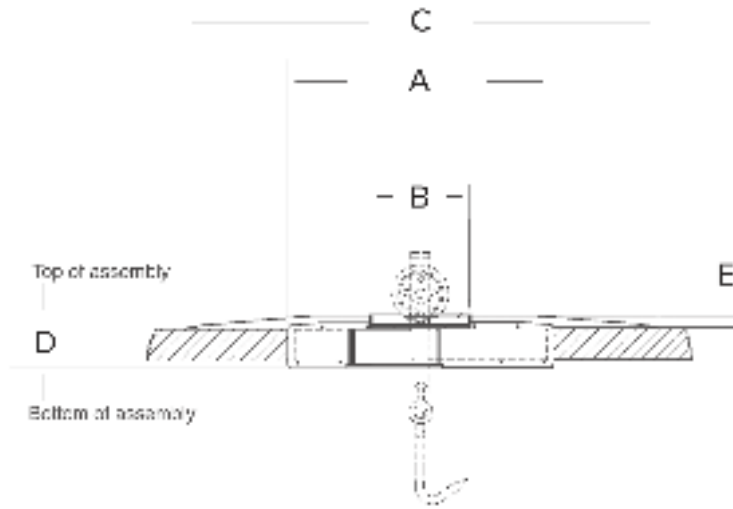
One-year limited

Approvals:

NTEP CC 90-003 Class III, 3,400d (Max)

Dimensions

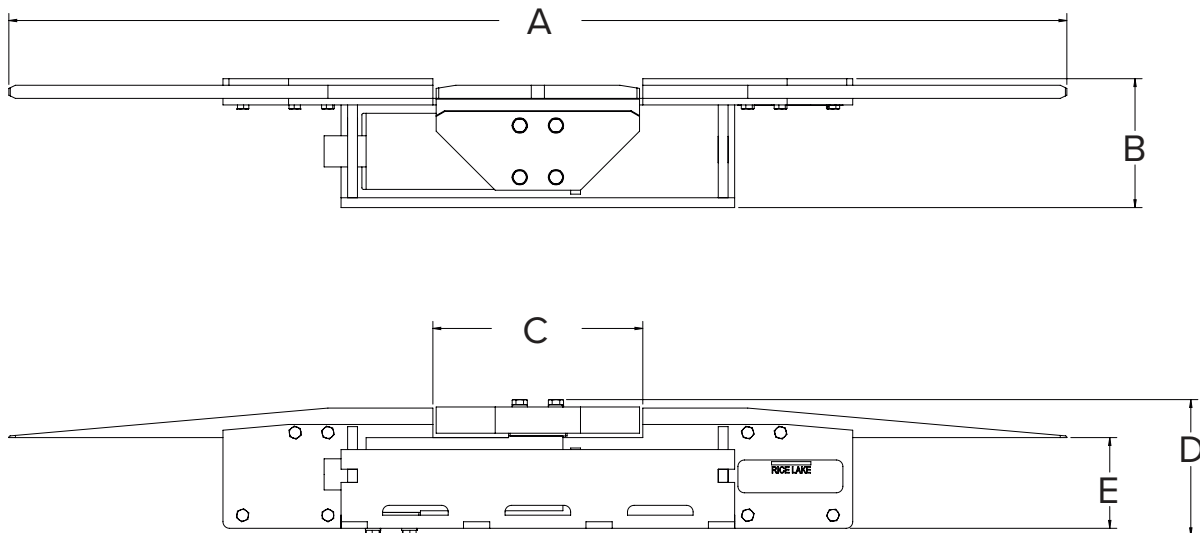
| MS200 | |
|-----------------|----------------------------|
| 750 lb Capacity | |
| A | 21.00 in (533 mm) |
| B | 8.00 in live rail (203 mm) |
| C | 40.32 in (1,024 mm) |
| D | 4.50 in (114 mm) |
| E | 1.13 in (29 mm) |



MONORAIL SCALES

Dimensions

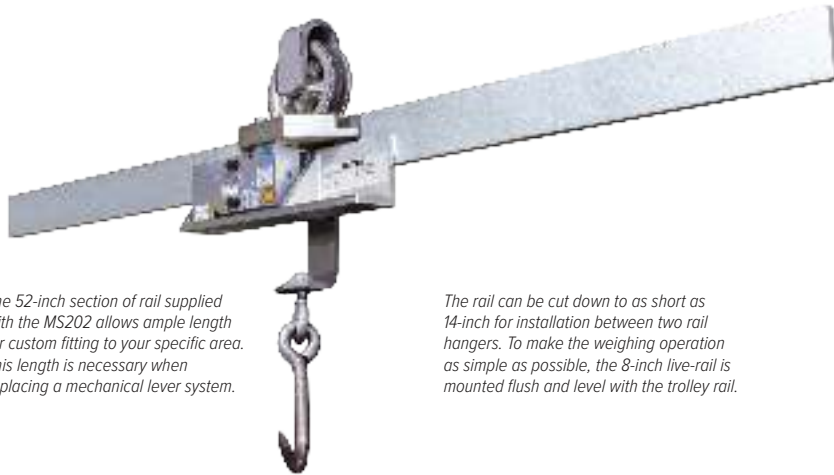
| MS200 | |
|-------------------|----------------------------|
| 1,500 lb Capacity | |
| A | 40.32 in (1,024 mm) |
| B | 4.90 in (125 mm) |
| C | 8.00 in live rail (203 mm) |
| D | 5.19 in (132 mm) |
| E | 3.46 in (88 mm) |



MS202

Permanent Monorail Scale

MONORAIL SCALES



The 52-inch section of rail supplied with the MS202 allows ample length for custom fitting to your specific area. This length is necessary when replacing a mechanical lever system.

The rail can be cut down to as short as 14-inch for installation between two rail hangers. To make the weighing operation as simple as possible, the 8-inch live-rail is mounted flush and level with the trolley rail.

Approvals



Measurement
Canada
Approved

Part Number/Price

| Part # | Description | Est. Weight | Price |
|---------------------------------|---|-------------|------------|
| MS202HB for 3/8-in Rails | | | |
| 19744 | MS202HB-3/8 in, 750 lb x 0.5 lb, nickel-plated | 38 lb | \$2,600.00 |
| 196885 | MS202HB-SS 3/8 in, 750 lb x 0.5 lb, stainless steel | 38 lb | \$2,900.00 |
| MS202HB for 1/2-in Rails | | | |
| 213003 | MS202HB, 1500 lb x 0.5 lb, nickel-plated | 40 lb | \$2,350.00 |
| 213004 | MS202HB, 1500 lb x 0.5 lb, stainless steel | 40 lb | \$2,650.00 |

Options/Accessories

| Part # | Description | Price |
|--------|---|----------|
| 16984 | Additional operating manual | \$5.00 |
| 167585 | Replacement load cell for 750 lb cap monorail, model SPT 1510-500 kg, 20 ft cable | \$842.00 |
| 87026 | Replacement load cell for 1,500 lb cap monorail, model RLPCBC-60, 1,000 kg, 10 ft cable | \$980.00 |
| 216728 | Configuration and Monorail calibration | \$300.00 |

Standard Features

- 8 in live-rail designed to weigh one trolley at a time
- 750 × 0.5 lb (3/8 in rail)
- 1500 × 0.5 lb (1/2 in rail)
- Available for rail sizes 3/8 × 2- 1/2 in or 1/2 × 2- 1/2 in
- Requires less than 41 in of straight rail to install (14 in between rail hangers)
- Nickel-plated mild steel and stainless steel construction available
- High accuracy, stainless steel load cell
- 20 ft of cable on 750 lb capacity models
- 15 ft of cable on 1500 lb capacity models
- Slightly recessed live-rail for the trolley roller provides stable weighments

Specifications

Construction:

Nickel-plated mild steel or stainless steel construction

Load Cell Construction:

Stainless steel

Bridge Resistance:

350 ohms nominal

Rated Output:

2 mV/V

Nonlinearity:

0.03% full scale

Warranty:

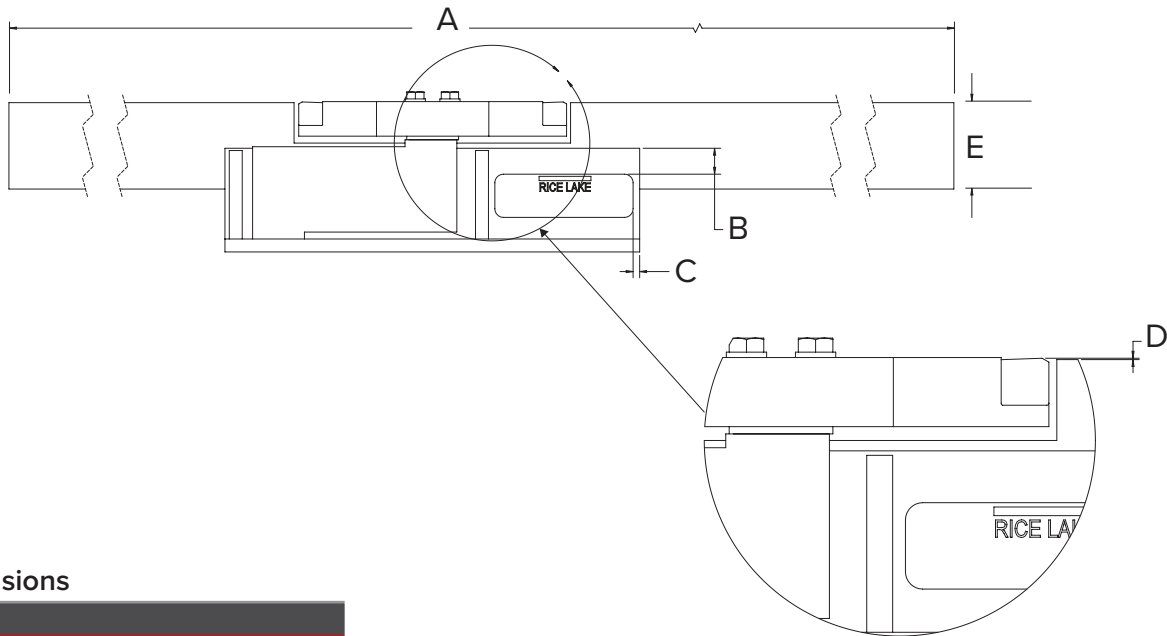
One-year limited

Approvals:

NTEP CC 90-003 Class III, 3,400d (Max)
Measurement Canada (750 lb/375 kg only)

Dimensions

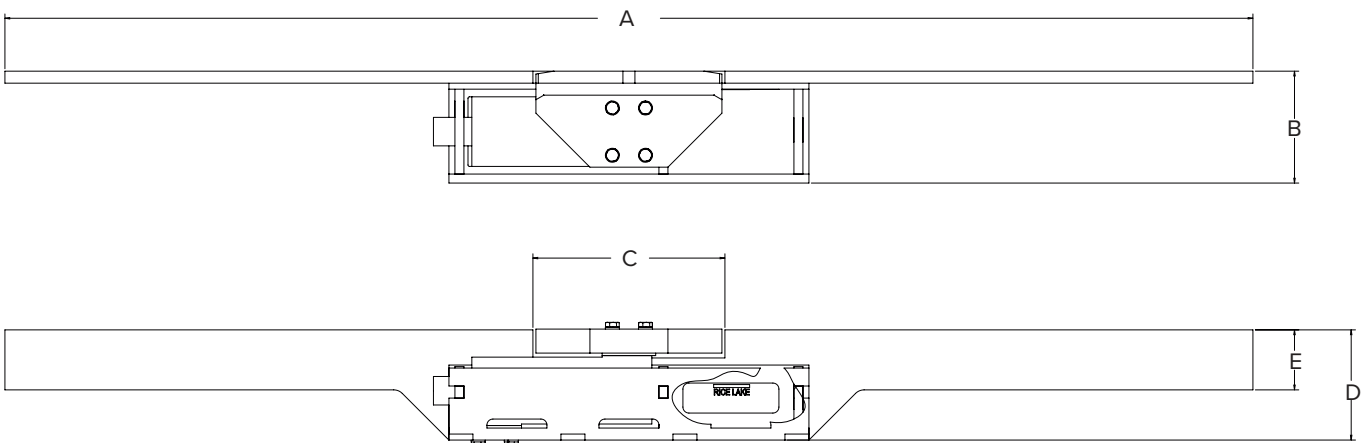
| MS202 | |
|-----------------|---|
| 750 lb Capacity | |
| A | 52.00 in (± 0.03 in) (1,321 mm ± 0.76 mm) |
| B | 0.75 in (19 mm) |
| C | 0.19 in (5 mm) |
| D | 0.06/0.02 in (2/0.5 mm) |
| E | 2.50 in (63.5 mm) |



MONORAIL SCALES

Dimensions

| MS202 | |
|-------------------|---|
| 1,500 lb Capacity | |
| A | 52.00 in (± 0.03 in) (1,321 mm ± 0.76 mm) |
| B | 4.66 in (118 mm) |
| C | 8.00 in (203 mm) |
| D | 4.59 in (117 mm) |
| E | 2.50 in (64 mm) |



Onboard Weighing

TABLE OF CONTENTS

| | |
|---|------------|
| PL Series Load Cells | 794 |
| PL9110 | 796 |
| <i>Mount Assembly</i> | |
| PLSB-25K Stacking Cone and TwistLock | 796 |
| Rigid Underbody Load Cell Kits | 797 |
| Tractor-Trailer Kits | 798 |
| Loadrunner® | 799 |
| <i>Dump Truck Systems Kit</i> | |
| King Pin Load Cell Kit | 800 |
| <i>Trailer Kit</i> | |
| Sand Shoe Load Cell Kit | 800 |
| <i>Trailer Kit</i> | |
| TradeRoute® HL Series | 801 |
| <i>Legal for Trade Onboard Weighing System</i> | |

Product names, logos, brands and other trademarks featured or referred to within this publication are the property of their respective trademark holders.

PL Series Load Cells

PL9000-14



The PL9000-14 is a low-profile load cell designed for onboard weighing applications with limited height. With a single-piece bearing plate and an overall profile of only 2.4 inches, the PL9000-14 is ideal for applications with four- or six-point under-body mounts and body rest mounts.

Order Information

Picture is a representation of actual product

| Load Rating | Part # | Est. Weight | Price | |
|------------------|-------------------|---------------|-------|----------|
| Static 16,500 lb | Dynamic 10,000 lb | 114322 | 19 lb | \$810.00 |

PL9000-14.4



The PL9000-14.4 is ideal for under-body and body rest mounts in four- or six-point system configurations. This load cell offers higher load ratings with a single-piece bearing plate and overall length of 14 inches.

Order Information

Picture is a representation of actual product

| Load Rating | Part # | Est. Weight | Price | |
|------------------|-------------------|---------------|-------|----------|
| Static 25,000 lb | Dynamic 12,500 lb | 115345 | 18 lb | \$920.00 |

PL9000-22



The PL9000-22 is designed for underbody mounts and low-profile axle scales such as Rice Lake's AX3040. It has a 2.4 inch profile and is 22.6 inches long.

Order Information

Picture is a representation of actual product

| Load Rating | Part # | Est. Weight | Price | |
|------------------|-------------------|---------------|-------|------------|
| Static 30,000 lb | Dynamic 20,000 lb | 111766 | 30 lb | \$1,170.00 |

PL9000-26



The PL9000-26 is a heavy duty, shear beam load cell designed for kingpin plates and underbody mounts. Available with either a single bearing plate or two separate bearing plates, the PL9000-26 has a 2.3 inch profile and is 26 inches long.

Order Information

Picture is a representation of actual product

| Load Rating | Part # | Est. Weight | Price | |
|------------------|-------------------|---------------|-------|------------|
| Static 40,000 lb | Dynamic 20,000 lb | 114325 | 35 lb | \$1,095.00 |

PL9000-50



The PL9000-50 is designed for 5th wheel kits and spring suspension equalizer hangers. The PL9000-50 has two separate bearing plates, one on each end, and an overall profile of 2.8 inches.

Order Information

Picture is a representation of actual product

| Load Rating | Part # | Est. Weight | Price | |
|------------------|-------------------|---------------|-------|----------|
| Static 50,000 lb | Dynamic 12,500 lb | 114326 | 24 lb | \$925.00 |

PL9110



The PL9110 double-ended shear beam load cell is ideal for weighing equipment typically fixed to a truck body. This low-profile, rigid mount load cell is offered in capacities from 2,000 lb to 20,000 lb with the same profile.

Order Information

Picture is a representation of actual product

| Load Rating | Part # | Est. Weight | Price |
|------------------|---------------|-------------|----------|
| Static 2,000 lb | 204610 | 6 lb | \$780.00 |
| Static 5,000 lb | 204611 | 6 lb | \$780.00 |
| Static 10,000 lb | 204612 | 6 lb | \$780.00 |
| Static 20,000 lb | 204613 | 6 lb | \$780.00 |

PL Series Load Cells

PL9200



The PL9200 onboard weighing load cell is hermetically sealed with an IP69 rating.

Order Information

Picture is a representation of actual product

| Load Rating | Part # | Est. Weight | Price |
|------------------|---------------|-------------|------------|
| Static 25,000 lb | 209603 | 25 lb | \$1,195.00 |
| Static 35,000 lb | 210812 | 25 lb | \$1,195.00 |

RLD-10K



The RLD-10K double-ended shear beam load cell has a low profile and rigid mount. The RLD-10K is ideal for applications where suspension mounts are not suitable, profile increases don't work, or dynamic forces are present.

Order Information

Picture is a representation of actual product

| Load Rating | Part # | Est. Weight | Price |
|------------------|---------------|-------------|------------|
| Static 10,000 lb | 120959 | 6 lb | \$1,260.00 |

PLSB-25K



The PLSB-25K is used in Rice Lake's twist-lock and stacking cone mount assemblies. This rigid mount, double-ended shear beam load cell is used when a series of mounts are not fixed to a frame at all times. The PLSB-25K can also be used in applications with dynamic forces.

Order Information

Picture is a representation of actual product

| Load Rating | Part # | Est. Weight | Price |
|------------------|---------------|-------------|------------|
| Static 25,000 lb | 179827 | 26 lb | \$1,250.00 |
| Static 25,000 lb | 191898 | 26 lb | \$1,320.00 |

PLSB-40K



The PLSB-40K alloy steel load cell is hermetically sealed with an IP68 rating and has a 0.75 mV/V output at 12,500 lb.

Order Information

Picture is a representation of actual product

| Load Rating | Part # | Est. Weight | Price |
|-------------------|---------------|-------------|------------|
| Static 40,000 lbs | 117666 | 31 lb | \$1,075.00 |

LOAD PIN - 2 INCH, 20K



This 2-inch load pin is used in Rice Lake's Loadrunner kits and semi trailer landing gear. This load pin can be paired with load and support collars for applications that have pivot or rotation requirements.

Order Information

Picture is a representation of actual product

| Load Rating | Part # | Est. Weight | Price |
|------------------|---------------|-------------|------------|
| Static 20,000 lb | 181895 | 10 lb | \$1,050.00 |

Additional details and complete specifications for onboard weighing load cells can be found online. Please consult the factory to determine the best model for your application.

PL9110

Mount Assembly



The PL9110 double ended shear beam load cell is ideal for weighing equipment typically fixed to a truck body. This with a single piece bearing plate this assembly offers both low profile and rigid mounting. With capacities from 2 K to 20 K (per) offering the same dimensions, integration for varied equipment is easy.

Complete Kit Includes

- One PL9110 stainless steel load cell
- Bearing plate (mild steel)
- Load cell bolts and spherical washers
- Upper mount bolts and flat washers

Standard Features

- Capacities from 2 K to 20 K (per module)
- IP68 rated load cell
- Single piece bearing plate, allowance to bolt or welded into position
- Spherical washer securement for load cell
- Rigid securement of equipment
- Low profile (2.25 in)

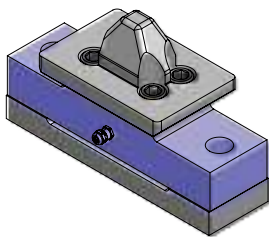
Part Number/Price

| Part # | Description | Price |
|--------|--|----------|
| 208297 | Kit, OnBoard PL9110K (single module kit) | \$960.00 |
| 208299 | Kit, OnBoard PL9110-2K (single module kit) | \$960.00 |
| 208300 | Kit, OnBoard PL9110-2K (single module kit) | \$960.00 |
| 208301 | Kit, OnBoard PL9110-2K (single module kit) | \$960.00 |

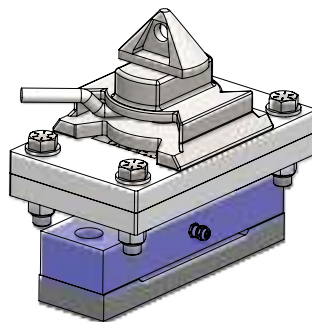
ONBOARD WEIGHING

PLSB-25K Stacking Cone and TwistLock

Mount Assembly



Stacking Cone Plate



TwistLock

The TwistLock and Stacking Cone modules are designed for use with corner castings. Corner casting are most common on intermodal containers, but can also be found integrated into other equipment. The low profile, rigid mount PLSB-25K double ended shear beam load cell is the heart of these modules.

Complete Kit Includes

- One PLSB-25K load cell
- Bearing plate (mild steel)
- Functional TwistLock or Stacking Cone upper assembly
- Intermediate plate (TwistLock only)
- Hardware to secure upper assembly to load cell

Standard Features

- 25 K capacity per module
- 50 ft cable lengths
- Single piece bearing plate, through hole mounting
- Rigid securement for upper assembly

Part Number/Price

| Part # | Description | Price |
|--------|---|------------|
| 190901 | Kit, Onboard, TwistLock (single module kit) | \$2,250.00 |
| 188542 | Kit, OnBoard, Stacking Cone (single module kit) | \$1,875.00 |

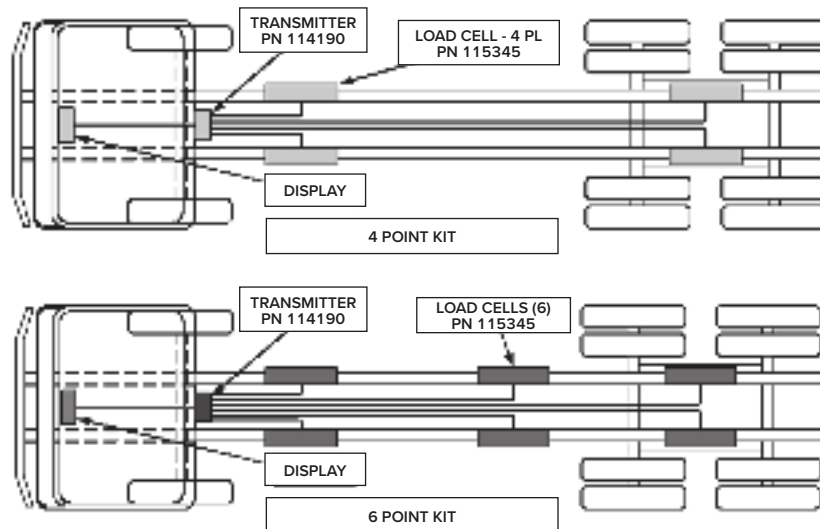
Rigid Underbody Load Cell Kits



Rice Lake Weighing Systems' rigid underbody load cell kits are designed to offer an onboard weighing solution for a variety of truck body types. They are mounted between the truck chassis and the body, needing little clearance to record weight information. These kits are common for straight truck applications with tanks and hoppers. Contact one of our product specialists to find a solution for your equipment.

Part Number/Price

| Part # | Model # | Description | Price |
|--------|--------------|---|------------|
| 114307 | PL9710-414.4 | Four-point indicator kit with 14.4 in load cells (50,000 lb max with dead load) Kit includes: 9710, four-lead transmitter, (4) 14.4 in load cell, (4) bearing plates, (4) body coil springs, 35 ft truck cable, 15 ft power cable | \$6,800.00 |
| 114308 | PL9710-614.4 | Six-point indicator kit with 14.4 in load cells (75,000 lb max with dead load) Kit includes: 9710, six-lead transmitter, (6) 14.4 in load cell, (6) bearing plates, (8) body coil springs, anti rotation plate, 35 ft truck cable, 15 ft power cable | \$8,820.00 |



9700 Series Indicator, PN 114186



PL9000-14.4 Load Cell, PN 115345



Bearing Plate, PN 115309



Transmitter, PN 114190



Transmitter, PN 114354



Cable Assembly, PN 114199



Power Cable, PN 115093

ONBOARD WEIGHING

Tractor-Trailer Kits

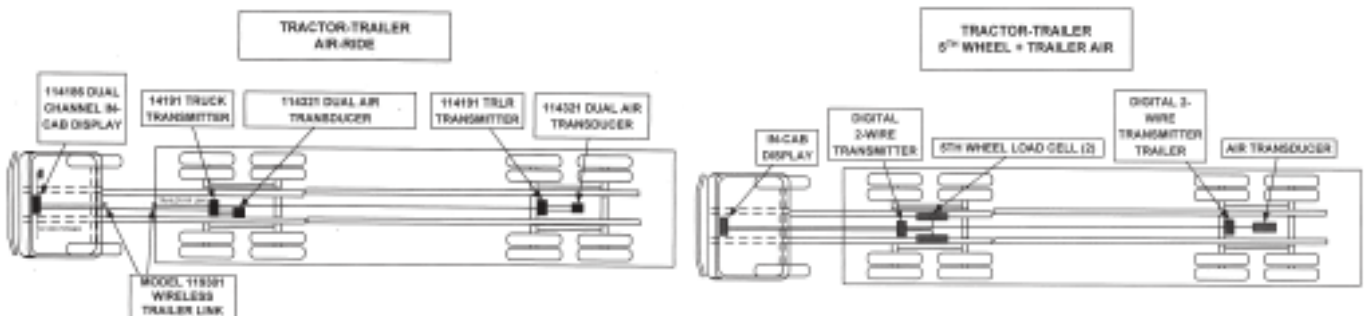


Rice Lake Weighing Systems offers an array of onboard scale systems for over-the-road tractor-trailer. Whether you are adding air pressure or load cell sensing, many combinations are available to fit your needs. Talk with one of our product specialists to find an onboard weighing solution for your tractor-trailer.

Part Number/Price

| Part # | Model # | Description | Price |
|--|-------------|--|------------|
| Air Ride Kit, Tractor/Trailer | | | |
| 114286 | PL9700-200 | Dual transducer kit (tractor-trailer) Kit includes: 9700, (2) air transmitter 2-lead, (2) dual air pressure transducer, 35 ft & 80 ft truck cable, 15 ft power cable | \$3,880.00 |
| Fifthwheel Kit w/Air Ride Trailer Kit | | | |
| 114295 | PL9701-250H | Holland fixed 5th wheel kit (25,000 lb max with dead load) Kit includes: 9700, dual lead transmitter, (2) 5th wheel bending beam/suspension load cell, 35 ft truck cable, 15 ft power cable, hardware | \$4,620.00 |
| 114294 | PL9701-200 | Dual transducer kit (trailer only) Kit includes: Air transmitter 2-lead LC, dual air pressure transducer, 80 ft truck cable | \$1,360.00 |

ONBOARD WEIGHING



9700 Series Indicator, PN 114186



Air Pressure Transducer, PN 114321



Transmitter, PN 114191



Cable Assembly, PN 114199



Trailer Cable, PN 114201



Power Cable, PN 115093



PL9000-50 Load Cell, PN 114326



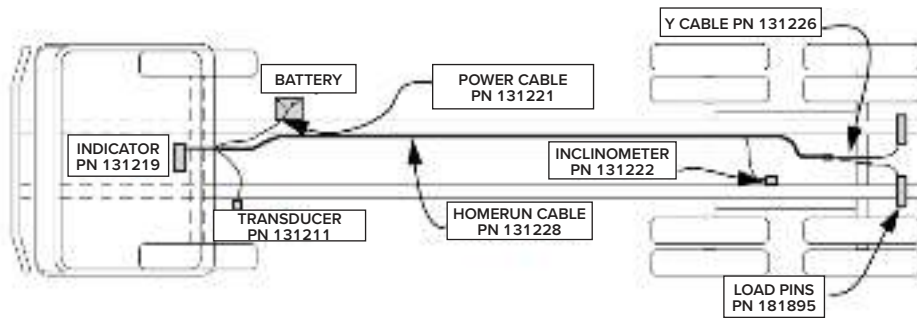
Trunnion, Holland, PN 115104



Rice Lake Weighing Systems' onboard scale systems assure optimal and safe use of a truck's payload capacity. The Loadrunner dump truck system incorporates both load cell and hydraulic pressure sensing. Weight information is obtained when the dump body is lifted a few inches off the frame. Speak with one of our product specialists to learn more about how Loadrunner can benefit your fleet operations.

Part Number/Price

| Part # | Description | Price |
|---------------|---|------------|
| System | | |
| 158195 | Dump truck system with 2-in load pins, indicator, cables and hardware | \$5,200.00 |



ONBOARD WEIGHING



OB-350 Indicator, PN 131219



Hydraulic Transducer, PN 131211



Dump Truck Load Pin, PN 181895



Onboard Inclinator, PN 131222



Dump Truck Hardware Kit



Power Cable, PN 131221



Y-Splitter Cable, PN 131226



Homerun Cable, PN 131228

Compatibility note: The Loadrunner dump truck kit has been designed for use on dual pin hinge pivot type dump bodies only. For dump truck body rear pivot assemblies using a single hinge bar, contact Rice Lake.

King Pin Load Cell Kit

Trailer Kit



The length of the PL9000-26 double ended shear beam load cell is ideal for distributing the loading of the king pin plate to the trailer frame. With a dynamic capacity of 20 K lbs (per), 40 K lbs as a system, it can handle the pounding of the highway.

Complete Kit Includes

- Two PL9000-26 load cells
- Two bearing plates (mild steel)
- Two 30 ft cables w/connectors
- Load cell bolts and flat washers
- Upper mount bolts and flat washers

Standard Features

- System capacity, Dynamic 40 K lb/Static 80 K lb
- Four-pin load cell connectors
- Connector cable assembly with potted connectors
- Single piece bearing plate, welded securement
- Rigid mounting of load cell to frame (Kingpin plate not included)

Part Number/Price

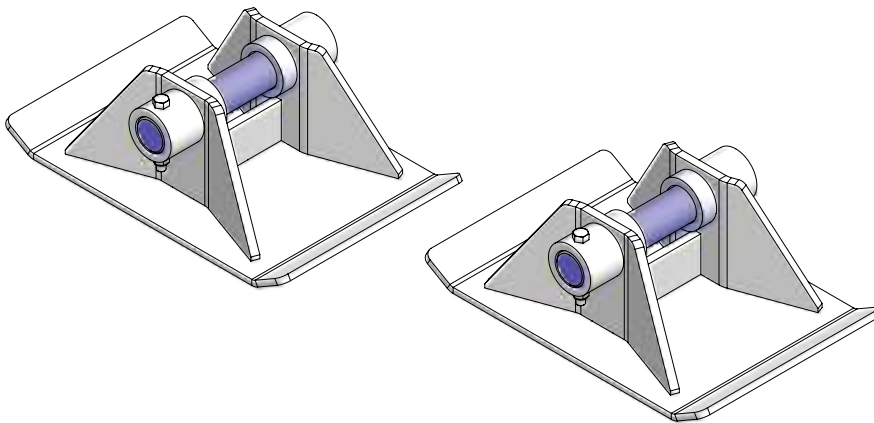
| Part # | Description | Price |
|--------|--|------------|
| 171325 | Onboard kit, king pin plate load cell system | \$3,200.00 |

*King pin plate not included with kit

ONBOARD WEIGHING

Sand Shoe Load Cell Kit

Trailer Kit



The Sand Shoe load cell kit is a conversion for common semi-trailer landing gear. This system offers a pair of 2 in diameter, 20 K lbs load cells that are installed in place of the original sand shoe pins. Complimenting sand shoes are included to distribute the forces to the load cell properly.

Complete Kit Includes

- Two 2 in, 20 K lb load cell pins
- Two sand shoes
- Four load distribution spacers
- Two bolts for anti-rotation of load cell

Standard Features

- System capacity, 40 K lb
- Load cell with connectors, M12
- 20 x 13 ft heavy duty painted sand shoe

Part Number/Price

| Part # | Description | Price |
|--------|---|------------|
| 215049 | Onboard Kit, sand shoe load cell system | \$4,600.00 |

TradeRoute® HL Series

Legal for Trade Onboard Weighing System



Double-double Assembly

Approvals



Measurement
Canada
Approved



Single Assembly



Double Assembly

Standard Features

Legal for Trade Onboard System Includes

- 3 or 4 point onboard system RL20000 load cell with 20 ft cable, IP67
- 80 ft conduit cable
- Magnetic transport alarm sensor with 15 ft cable
- JB4SS junction box
- Hydraulic line locks and hoses
- 920i® Onboard Weigh Center
- Hydraulic pump not included
- Minimum 3,000 PSI recommended to maintain 2,200 PSI during lift

920i Onboard Weigh Center

- Epson® TM-U295 printer with splash shield
- Pre-installed 30 ft power cable, 30 ft load cell cable and inclinometer
- Transport alarm LEDs
- Power switch
- Start/End switch
- Waterproof enclosure
- Vibration mounts
- Mounting bracket to body not included

920i USB Universal with Onboard Software

- RS-232 port for connecting to ticket printer
- Standard onboard software
- USB interface board only

USB Interface Functions

- Available upon special request using a Type A sealed connection
- USB interface card on Port 2
- Supports weigh mode and configuration mode functions
- Supports upload of databases and 920i configuration file
- Supports download of databases, 920i configuration file, iRite®, COD file and firmware file
- Sanity checks for command errors
- Create standard database files

Flash Drives

- Supports USB 2.0 (optional)
- Create subdirectories by unit ID and database name
- Use the root directory for generic files

Specifications

Capacity:

Up to 60,000 lb (30,000 kg)

Load Cell:

Rice Lake RL20000I alloy steel
S-Beam, 20 ft cable

Junction Box:

JB4SS TuffSeal®

Rating/Material:

NEMA Type 4X
Stainless steel enclosure

Power Input:

9 to 36 VDC

Weigh Center:

920i® series weight controller
Epson® TM-U295

Approvals:

NTEP CC 15-102 Class III/IIIL
Measurement Canada AM-4847

ONBOARD WEIGHING

TradeRoute® HL Series

Legal for Trade Onboard Weighing System

Part Number/Price

| Part # | Model # | Description | Price |
|--|------------|---|-------------|
| TradeRoute Package (Includes 920i Weigh Center) | | | |
| 131098 | AN15L-3 | 15,000 lb × 5 lb/8,000 kg × 2 kg 3-point system, OB5-SGL5 / OB10-DBL5 modules | \$15,400.00 |
| 131099 | AN20L-4 | 20,000 lb × 5 lb/10,000 kg × 2 kg 4-point system, OB10-DBL5 (× 2) modules | \$18,200.00 |
| 131100 | AN30L-3 | 30,000 lb × 10 lb/15,000 kg × 5 kg 3-point system, OB10-SGL10 / OB20-DBL10 modules | \$16,300.00 |
| 131101 | AN40L-4 | 40,000 lb × 10 lb/20,000 kg × 5 kg 4-point system, OB20-DBL10 (× 2) modules | \$18,200.00 |
| 131103 | AN60L-4 | 60,000 lb × 10 lb/30,000 kg × 5 kg 4-point system, OB30-DBL15 (× 2) modules | \$20,400.00 |
| TradeRoute Package (Includes In-cab 920i, Alarm and Inclinometer) | | | |
| 221327 | AN15L-3 | 15,000 lb × 5 lb/8,000 kg × 2 kg 3-point system, OB5-SGL5 / OB10-DBL5 modules | \$14,900.00 |
| 221328 | AN20L-4 | 20,000 lb × 5 lb/10,000 kg × 2 kg 4-point system, OB10-DBL5 (× 2) modules | \$17,700.00 |
| 221329 | AN30L-3 | 30,000 lb × 10 lb/15,000 kg × 5 kg 3-point system, OB10-SGL10 / OB20-DBL10 modules | \$15,800.00 |
| 214818 | AN40L-4 | 40,000 lb × 10 lb/20,000 kg × 5 kg 4-point system, OB20-DBL10 (× 2) modules | \$17,700.00 |
| 219104 | AN60L-4 | 60,000 lb × 10 lb/30,000 kg × 5 kg 4-point system, OB30-DBL15 (× 2) modules | \$19,400.00 |
| System Components | | | |
| 131442 | – | 920i® Weigh Center package includes: Indicator, Epson® Ticket Printer, 25 ft load cell cable, power cable, housing, vibration mounts for installation to customer supplied mounting bracket | \$5,350.00 |
| 154109 | – | In-cab indicator 920i (requires 154112, 154111 and printer) | \$4,150.00 |
| 154112 | – | In-cab LED alarm assembly, 8 ft cable | \$130.00 |
| 154111 | – | Inclinometer, junction box assembly, 35 ft cable | \$750.00 |
| 65635 | – | Epson TM-U295 printer | \$630.00 |
| 131811 | – | Optional LED cab alarm, 35 ft | \$150.00 |
| 15494 | EL146HE | Four conductor hostile environment load cell cable | \$1.96/ft |
| 88956 | JB4SS | JB4SS signal trim j-box with PG37 cord grips | \$275.00 |
| 128123 | – | Conduit, 1/2 in non metallic liquid tight polytuf® | \$12.00/ft |
| 128670 | OB5-SGL5 | Low profile 5,000 lb single assembly | \$4,870.00 |
| 128666 | OB10-DBL5 | Low profile 10,000 lb double assembly | \$6,140.00 |
| 127956 | OB10-SGL10 | Low profile 10,000 lb single assembly | \$4,870.00 |
| 127958 | OB20-DBL10 | Low profile 20,000 lb double assembly | \$6,140.00 |
| 127959 | OB30-DBL15 | Low profile 30,000 lb double assembly | \$8,520.00 |
| 155300 | OB30-TAN15 | Low profile 30,000 lb single tandem assembly | \$10,320.00 |

Note: Connect to your existing hydraulic pump with a maximum pressure of 3,000 PSI with a minimum flow of 5 GPM for best performance of lifting speed.

Note: Contact factory for other capacities not shown.

ONBOARD WEIGHING

Overhead Weighing

TABLE OF CONTENTS

| | |
|---|------------|
| MSI-3460 Challenger 3 | 804 |
| <i>Crane Scale</i> | |
| MSI-4260 Port-A-Weigh | 806 |
| <i>Industrial Crane Scale</i> | |
| MSI-4260 IS Port-A-Weigh | 808 |
| <i>Intrinsically Safe Crane Scale</i> | |
| MSI-4260M Port-A-Weigh | 809 |
| <i>Industrial Crane Scale</i> | |
| MSI-4260M Port-A-Weigh | 811 |
| <i>Marine Crane Scale</i> | |
| MSI-9600HT Hi-Torque Port-A-Weigh Plus | 812 |
| <i>High Torque Crane Scale</i> | |
| MSI-6360 Trans-Weigh | 813 |
| <i>Crane Scale</i> | |
| RL101 Scale | 815 |
| <i>Compact Digital Below-the-Hook Scale</i> | |
| Crane Scale Cart | 816 |
| <i>Universal Transport and Storage Cart</i> | |
| MSI-7300 Dyna-Link 2 | 817 |
| <i>Digital Tension Dynamometer</i> | |
| MSI Dyna-Clamp | 819 |
| <i>Tension Meter</i> | |
| MSI Clamp-On | 820 |
| <i>Load Cell</i> | |
| MSI Load Pin Sensors | 821 |
| MSI Load Pin Questionnaire | 822 |
| MSI Shear Web | 823 |
| <i>Load Cell</i> | |
| MSI Tension Link | 824 |
| <i>Load Cell</i> | |
| Shackle Dimensions | 825 |
| MSI-8000 | 826 |
| <i>RF Remote Display</i> | |
| MSI-8000HD | 827 |
| <i>Indicator/Remote Display</i> | |
| MSI-8004HD | 829 |
| <i>Indicator/RF LED Remote Display</i> | |
| MSI Scoreboards Wireless RF | 831 |
| <i>Featuring LaserLight2 Remote Displays</i> | |
| TranSend™ MSI-7000 | 832 |
| <i>Wireless Load Cell Interface System</i> | |
| TranSend™ MSI-7001 | 833 |
| <i>Wireless Load Cell Interface System</i> | |
| TranSend™ MSI-7000HD | 835 |
| <i>Wireless Load Cell Interface System</i> | |
| TranSend™ MSI-7001HD | 836 |
| <i>Wireless Load Cell Interface System</i> | |
| ScaleCore Webserver | 837 |
| <i>Wireless Network Router/Webserver</i> | |
| Rugged Remote | 839 |
| Wi-Fi Information Request | 840 |

The following product names, logos, brands and other trademarks featured or referred to within this publication are the property of their respective trademark holders.

MSI-3460 Challenger 3

Crane Scale



Approvals



Standard Features

- Multi-color LED display
- Top lifting eye and bottom swivel hook
- Lb/kg switch selectable
- Six volt rechargeable battery and universal 115/230 VAC, 50/60 Hz battery charger (NA plug standard)
- Meets or exceeds OSHA, ANSI, ASME and other safety design standards (5:1 Ultimate Safety Factor)
- NTEP Certified (250 to 10,000 lb capacities)

Part Number/Price

| Part # | Description | Est. Weight | Price |
|--------|---|-------------|------------|
| 207063 | 250 lb (125 kg) 0.1 lb (0.05 kg) | 22 lb | \$2,700.00 |
| 208091 | 500 lb (250 kg) 0.2 lb (0.1 kg) | 22 lb | \$2,700.00 |
| 207064 | 1,000 lb (500 kg) 0.5 lb (0.2 kg) | 22 lb | \$2,875.00 |
| 208138 | 2,000 lb (1,000 kg) 1 lb (0.5 kg) | 22 lb | \$2,875.00 |
| 207065 | 5,000 lb (2,500 kg) 2 lb (1 kg) | 39 lb | \$3,550.00 |
| 208092 | 10,000 lb (5,000 kg) 5 lb (2 kg) | 39 lb | \$3,550.00 |
| 207067 | 15,000 lb (7,000 kg) 5 lb (2 kg) | 67 lb | \$5,350.00 |
| 207633 | 250 lb (125 kg), RF Modem 0.1 lb (0.05 kg) | 22 lb | \$2,875.00 |
| 208096 | 500 lb (250 kg), RF Modem 0.2 lb (0.1 kg) 22 lb | 22 lb | \$2,875.00 |
| 207635 | 1,000 lb (500 kg), RF Modem 0.5 lb (0.2 kg) 22 lb | 22 lb | \$3,050.00 |
| 208140 | 2,000 lb (1,000 kg), RF Modem 1 lb (0.5 kg) | 22 lb | \$3,050.00 |
| 207637 | 5,000 lb (2,500 kg), RF Modem 2 lb (1 kg) 39 lb | 39 lb | \$3,725.00 |
| 208098 | 10,000 lb (5,000 kg), RF Modem 5 lb (2 kg) 39 lb | 39 lb | \$3,725.00 |
| 207639 | 15,000 lb (7,000 kg), RF Modem 5 lb (2 kg) 67 lb | 67 lb | \$5,550.00 |
| 207640 | 250 lb (125 kg), with Wi-Fi 0.1 lb (0.05 kg) 22 lb | 22 lb | \$3,025.00 |
| 208100 | 500 lb (250 kg), with Wi-Fi 0.2 lb (0.1 kg) 22 lb | 22 lb | \$3,025.00 |
| 207642 | 1,000 lb (500 kg), with Wi-Fi 0.5 lb (0.2 kg) 22 lb | 22 lb | \$3,175.00 |
| 208141 | 2,000 lb (1,000 kg), with Wi-Fi 1 lb (0.5 kg) 22 lb | 22 lb | \$3,175.00 |
| 207644 | 5,000 lb (2,500 kg), with Wi-Fi 2 lb (1 kg) 39 lb | 39 lb | \$3,875.00 |
| 208102 | 10,000 lb (5,000 kg), with Wi-Fi 5 lb (2 kg) 39 lb | 39 lb | \$3,875.00 |
| 207646 | 15,000 lb (7,000 kg), with Wi-Fi 5 lb (2 kg) | 67 lb | \$5,700.00 |

Options

(Contact MSI for application consultation)

- RF modem install for connectivity to MSI-8000, MSI-8000HD RF, MSI-8004HD RF remote display, TranSend™ and LaserLight2 remote display (Typical range 100-300 ft line of sight)
- Rugged Remote (control for off, zero, tare and other functions) (Requires 3460RF version, typical range 50 ft line of sight)
- Universal direct power supply (115/230 VAC)
- Audible alarm
- Wi-Fi communication is available for specialty applications

Specifications

Accuracy:

± 0.1% (+1 d) of applied load

Resolution:

2,500 d max standard
(up to 10,000 d max non-standard)

Enclosure:

NEMA 4, IP65, powder coated cast aluminum

Lifting Eye and Hook:

Crosby® or equivalent with 360° non-bearing swivel hook

Design Overload:

200% Safe/500% Ultimate

Functions:

Power, zero, tare, user (programmable)

Display:

Five-digit, 1.5 in (38 mm) LED with programmable brightness control; toggle between red, orange, green digits

Displayable Units:

Pounds or kilogram selectable

Annunciators:

COZ, net, gross, total, peak, low battery, lb/kg, motion, setpoints, ACK IN, ACK OUT, RF

Power:

6 volt rechargeable battery. 115/230 VAC battery charger is included

Operating Time:

Up to 80 hours between charging with typical use. Less with optional RF model link

Temperature:

Certified: 14 °F to 104 °F (-10 °C to 40 °C)
Operating: -40 °F to 104 °F (-40 °C to 40 °C)

Auto-Off Mode:

Select for 15, 30, 45, 60 minutes or off

Auto Sleep Mode:

Power down during non-use and power up with weight change or any key press

Service Counters:

Counts number of lifts over percentage of capacity and lifts over capacity

Filtering:

OFF, LO, HI-1, HI-2 selectable

Warranty:

One-year limited

Approvals:

NTEP 86-021: 250 to 10,000 lb
OIML R76/2006-A-NL1-21.36
CE
UKCA

OVERHEAD WEIGHING

MSI-3460 Challenger 3

Crane Scale

Options/Accessories

| Part # | Description | Est. Weight | Price |
|---------|---|-------------|------------|
| 140049 | Battery assembly, 6 volt rechargeable | 3 lb | \$165.00 |
| 139152 | Universal 115/230 VAC, 50/60 Hz battery charger (NA plug standard) | 5 lb | \$210.00 |
| 139153 | Battery charger 115/230 VAC, 50/60 Hz (EC plug standard) | 5 lb | \$210.00 |
| 197201 | Battery charger, 115 VAC, 50/60 Hz (NA plug standard) CEC compliant | 5 lb | \$255.00 |
| 149549 | Universal 115/230 VAC 50/60 Hz (NA plug standard) battery charger for MSI-8000 remote display | 3 lb | \$175.00 |
| 178004 | LaserLight2, 4 in (100 mm) six-digit RF scoreboard (requires MSI-3460 with RF modem) | 21 lb | \$2,675.00 |
| 178006 | LaserLight2, 6 in (150 mm) six-digit RF scoreboard (requires MSI-3460 with RF modem) | 37 lb | \$3,175.00 |
| Consult | AC power supply | - | \$325.00 |
| 140058 | 3460 AC conversion kit | 1 lb | \$485.00 |
| Consult | Audible alarm | - | \$420.00 |
| Consult | 3460 retrofit kit | 3 lb | Consult |
| 173014 | Rugged remote control (requires MSI-3460 with RF modem) | - | \$355.00 |
| 139381 | MSI-8000 RF remote display (requires MSI-3460 with RF modem) | 5 lb | \$1,500.00 |
| 153591 | MSI-8000HD ScaleCore RF remote display (requires MSI-3460 with RF modem) | - | \$1,625.00 |
| 178281 | MSI-8004HD AC, red/green 85~264 VAC, 47~440 Hz, 120~370 VDC | - | \$1,785.00 |

OVERHEAD
WEIGHING

MSI-4260 Port-A-Weigh

Industrial Crane Scale



Approvals



Measurement
Canada
Approved

Standard Features

- Multi-color LED display
- Top lifting eye or shackle, bottom thrust bearing swivel hook
- 12 volt rechargeable battery and universal 115/230 VAC, 50/60 Hz battery charger (NA plug standard)

Options

(Contact MSI for application consultation)

- Rugged remote control (control for on/off, zero, tare and other functions)
- RF modem install for connectivity to MSI-8000, MSI-8000HD RF, MSI-8004HD RF remote display, TranSend™ and LaserLight2 remote display. Typically 100 to 300 ft, line of sight; for longer range consult factory
- Anti-heat shielding for high temperature applications
- Substitute bottom swivel hook with shackle
- Oversized top lifting eye or shackle
- Oversized bottom hook
- Universal direct power supply; 85 to 265 VAC, 47 to 440 Hz / 130 to 300 VDC
- Wi-Fi communication is available for specialty applications and for use with the ScaleCore Webservice
- Low headroom top adapter
- Audible alarm
- Custom top and bottom interfaces
- Factory Mutual and ATEX approved intrinsically safe models available

Part Number/Price

| Part # | Description | Resolution | Est. Weight | Price |
|--------|--|-----------------|-------------|-------------|
| 197760 | 500 lb (250 kg), swivel hook, F/A | 0.2 lb (0.1 kg) | 53 lb | \$5,575.00 |
| 197761 | 2,000 lb (1,000 kg), swivel hook, F/A | 1.0 lb (0.5 kg) | 53 lb | \$5,600.00 |
| 197762 | 5,000 lb (2,500 kg), swivel hook, F/A | 1.0 lb (0.5 kg) | 62 lb | \$5,750.00 |
| 197763 | 10,000 lb (5,000 kg), swivel hook, F/A | 2.0 lb (1.0 kg) | 62 lb | \$6,325.00 |
| 197764 | 20,000 lb (10,000 kg), swivel hook, F/A | 5.0 lb (2.0 kg) | 105 lb | \$7,300.00 |
| 197765 | 30,000 lb (15,000 kg), swivel hook, F/A | 10 lb (5.0 kg) | 125 lb | \$7,400.00 |
| 197766 | 50,000 lb (25,000 kg), swivel hook, F/A | 10 lb (5.0 kg) | 235 lb | \$13,000.00 |
| 197767 | 70,000 lb (35,000 kg), swivel hook, F/A | 20 lb (10 kg) | 270 lb | \$18,375.00 |
| 197768 | 100,000 lb (50,000 kg), swivel hook, F/A | 20 lb (10 kg) | 420 lb | \$26,625.00 |

Specifications

Accuracy:

± 0.1% +1 d of applied load

Resolution:

2,000 to 5,000 d standard
(Up to 10,000 d available)

Enclosure:

NEMA Type 4, IP66 marine grade 356 alloy anodized cast aluminum

Lifting Eye, Shackle & Hook:

Crosby® or equal with 360° thrust-bearing swivel hook

Design Overload:

200% Safe / 500% Ultimate (except where noted)

Functions:

Power, zero, tare, F1 (programmable)

Display:

1.2 in (30 mm), 5-digit, programmable LED display, multi-color (red, orange, green)

Displayable Units:

Pounds or kilograms selectable

Annunciators:

COZ, net, gross, total, peak, low battery, lb/kg, motion, setpoints

Power:

12 V rechargeable battery (115/230 VAC battery charger is included)

Operating Time:

Up to 200 hours between charging with typical use, less with optional RF modem

Temperature:

Certified: 14 °F to 104 °F (-10 °C to 40 °C)
Operating: -40 °F to 122 °F (-40 °C to 50 °C)

Auto-Off Mode:

Select for 15, 30, 45 minutes, 1 hour or off

Auto Sleep Mode:

Power down during non-use and power up with weight change or any key press

Service Counters:

Counts number of lifts over percentage of capacity and lifts over capacity

Filtering:

OFF, LO, HI-1, HI-2 selectable

Warranty:

One-year limited

Approvals:

NTEP 19-122: 500 to 70,000 lb
Measurement Canada AM-6198: 500 to 5,000 lb

OVERHEAD
WEIGHING

MSI-4260 Port-A-Weigh

Industrial Crane Scale

Options/Accessories

| Part # | Description | Est. Weight | Price |
|--|--|-------------|------------|
| 150971 | MSI RF modem option kit (used with MSI-4260, MSI-4260M, MSI-9600HT) | - | \$250.00 |
| 139381 | MSI-8000 RF remote display (requires MSI-4260 equipped with RF modem) | 5 lb | \$1,500.00 |
| 173014 | RF rugged remote control (requires MSI-4260 equipped with RF modem) | - | \$355.00 |
| 153591 | MSI-8000HD remote display, AC power and tilt bracket option (requires MSI-4260 equipped with RF modem) | 3 lb | \$1,625.00 |
| 178281 | MSI-8004HD AC, red/green 85~264 VAC, 47~440 Hz, 120~370 VDC (requires MSI-4260 equipped with RF modem) | - | \$1,785.00 |
| 159221 | Universal crane scale transport cart | 180 lb | \$1,340.00 |
| 178004 | LaserLight2, 4 in (100 mm) six-digit RF scoreboard (requires MSI-4260 equipped with RF modem) | 21 lb | \$2,675.00 |
| 178006 | LaserLight2, 6 in (150 mm) six-digit RF scoreboard (requires MSI-4260 equipped with RF modem) | 37 lb | \$3,175.00 |
| Consult | AC direct power supply | - | \$560.00 |
| Consult | Audible alarm | - | \$420.00 |
| Consult | Anti-heat shield | - | \$1,125.00 |
| Consult | 4260 retrofit kit | 5 lb | Consult |
| 176956 | MSI Wi-Fi modem option kit (used in MSI-4260, MSI-4260M, MSI-6360, MSI-9600HT) | - | \$490.00 |
| 150367 | Battery assembly, 12 V rechargeable | 7 lb | \$145.00 |
| 138006 | Universal 115/230 VAC, 50/60 Hz battery charger (NA plug standard) | 4 lb | \$345.00 |
| 138007 | Universal 115/230 VAC, 50/60 Hz battery charger (UK plug standard) | 4 lb | \$370.00 |
| 138008 | Universal 115/230 VAC, 50/60 Hz battery charger (EC plug standard) | 4 lb | \$370.00 |
| 149549 | Universal 115/ 230 VAC 50/60 Hz (NA plug standard) battery charger for MSI-8000 remote display | 3 lb | \$175.00 |
| 4260 Sub Hook with Shackle | | | |
| Consult | 500 to 10,000 lb, 6.5 ton shackle | - | Consult |
| Consult | 20,000 to 30,000 lb, 17 ton shackle | - | Consult |
| Consult | 50,000 lb, 25 ton shackle | - | Consult |
| Consult | 70,000 lb, 40 ton shackle | - | Consult |
| Consult | 100,000 lb, 55 ton shackle | - | Consult |
| 4260 Oversize Lifting Eye/Shackle | | | |
| Consult | 500 to 10,000 lb capacity | - | Consult |
| Consult | 20,000 to 30,000 lb capacity, adapter with 25 ton shackle | - | Consult |
| Consult | 50,000 to 70,000 lb capacity | - | Consult |
| Consult | 100,000 lb capacity | - | Consult |

MSI-4260 IS Port-A-Weigh

Intrinsically Safe Crane Scale



Approvals



Standard Features

- LED display
- Top lifting eye or shackle, bottom thrust bearing swivel hook
- 12 volt rechargeable battery and universal 115/230 VAC, 50/60 Hz battery charger (NA plug standard)

(Contact MSI for application consultation)

Part Number/Price

| Part # | Description | Resolution | Price |
|--------|-------------------------------------|-----------------|-------------|
| 156013 | 500 lb (250 kg), swivel hook | 0.2 lb (0.1 kg) | \$7,450.00 |
| 156014 | 2,000 lb (1,000 kg), swivel hook | 1.0 lb (0.5 kg) | \$7,450.00 |
| 156015 | 5,000 lb (2,500 kg), swivel hook | 1.0 lb (0.5 kg) | \$7,450.00 |
| 156016 | 10,000 lb (5,000 kg), swivel hook | 2.0 lb (1.0 kg) | \$7,450.00 |
| 156017 | 20,000 lb (10,000 kg), swivel hook | 5.0 lb (2.0 kg) | \$9,425.00 |
| 156018 | 30,000 lb (15,000 kg), swivel hook | 10 lb (5.0 kg) | \$9,425.00 |
| 156019 | 50,000 lb (25,000 kg), swivel hook | 10 lb (5.0 kg) | \$13,900.00 |
| 156020 | 70,000 lb (35,000 kg), swivel hook | 20 lb (10 kg) | \$16,425.00 |
| 156021 | 100,000 lb (50,000 kg), swivel hook | 20 lb (10 kg) | \$25,300.00 |

Capacities over 70,000lb are not NTEP

Options/Accessories

| Part # | Description | Price |
|--------|-----------------|----------|
| 170606 | Battery charger | \$330.00 |
| 167777 | Spare battery | \$295.00 |

Specifications

Accuracy:

± (0.1% +1 d) of applied load

Resolution:

3,000 to 5,000 d standard
(up to 10,000 d available)

Enclosure:

NEMA Type 4, IP66 marine grade 356 alloy
anodized cast aluminum

Intrinsic Safety:

USA Listings
FM16US0156X
IS Class I, Division 1, Groups C, D; T4 - PN 184530
IS Class II, Division 1, Groups, E, F, G; T4; Class III,
Division 1 - PN 184530
Class I, Zone 0, AEx ia IIB T4 Ga - PN 184530
Class I, Zone 20, AEx ia IIIC T135°C Da - PN 184530
Ta = -20 °C to +50 °C
Canada Listings
FM16CA0092X
Ex ia Class I, Division 1, Groups C, D; T4 - PN 184530
Ex ia Class II, Division 1, Groups E, F, G, Class III,
Division 1; T4 - PN 184530
Class I, Zone 0, Ex ia IIB T4 Ga - PN 184530
Class I, Zone 20, Ex ia IIIC T135°C Da - PN 184530
TA = -10 °C to +50 °C
ATEX / UKEX Listings
FM18ATEX0052X
FM21UKEX0104X
II 1 G Ex ia IIB T4 Ga
II 1 D Ex ia IIIC T135°C Da
-10 °C Ta +50 °C

Lifting Eye, Shackle & Hook:

Crosby® or equal with 360° thrust-bearing
swivel hook

Design Overload:

200% Safe / 500% Ultimate (except where noted)

Functions:

Power, zero, tare, Mode F1 (programmable)

Display:

Five-digit, 1.2 in (30 mm) LED with
programmable brightness control

Displayable Units:

Pounds or kilograms selectable

Annunciators:

COZ, net, gross, total, peak, low battery, lb/kg,
motion, setpoints

Power:

12 V rechargeable battery
115/230 VAC approved battery charger is included

Temperature:

Certified: 14 °F to 104 °F (-10 °C to 40 °C)

Operating Time:

Up to 200 hours between charging with typical use

Auto-Off Mode:

Select for 15, 30, 45 minutes, 1 hour or Off

Auto Sleep Mode:

Power down during non-use and power up with
weight change or any key press

Service Counters:

Counts number of lifts over percentage of capacity
and lifts over capacity

Filtering:

OFF, LO, HI-1, HI-2 selectable

Warranty:

One-year limited

Approvals:

NTEP 19-122: 500 to 70,000 lb
Measurement Canada AM-6198: 500 to 5,000 lb
cFMus Approved

MSI-4260M Port-A-Weigh

Industrial Crane Scale



Standard Features

- LCD display
- IP66 cast aluminum
- Top lifting eye or shackle, bottom thrust bearing swivel hook
- Battery operated, six (6) D cell 1.5V alkaline batteries or 12 volt rechargeable battery (115/230 VAC battery charger is included)

Options

(Contact MSI for application consultation)

- Rugged Remote (control for on/off, zero, tare and other functions)
- RF modem install for connectivity to MSI-8000, MSI-8000HD RF, MSI-8004HD RF remote display, TranSend™ and LaserLight2 remote display
- Wi-Fi communication is available for specialty applications
- Anti-heat shielding for high temperature applications
- Substitute bottom swivel hook with shackle
- Oversized top lifting eye or shackle
- Oversized bottom hook
- Universal direct power supply; 85 to 265 VAC, 47 to 440 Hz/130 to 300 VDC
- Low headroom top adapter
- Audible alarm
- Custom top and bottom interfaces

Specifications

Accuracy:

± 0.1% +1 d of applied load

Resolution:

Max NTEP Approved Class III: 2,500 d
Max NTEP Approved Class IIII: 5,000 d
Max Non-NTEP Approved: 10,000 d

Enclosure:

IP66 cast aluminum

Lifting Eye, Shackle & Hook:

Crosby® or equal with 360° thrust-bearing swivel hook

Design Overload:

200% Safe / 500% Ultimate (except where noted)

Functions:

Power: Turns unit on or off
Zero: Zeros applied load up to 100% of capacity (limited range in NTEP configuration)
Tare: Tares applied load and displays weight in Net mode
User: Programmable as test, total, unit, peak hold, net/gross, view total and print

Display:

Five-digit, 1.75 in (44.5 mm) LCD with programmable brightness control

Displayable Units:

Pounds or kilograms selectable

Annunciators:

CO₂, battery level, net, total, lb/kg, stability, RF and setpoint LEDs

Power:

Battery operated, six (6) D cell 1.5 V alkaline batteries or 12 V rechargeable battery (115/230 VAC battery charger is included)

Operating Time:

Six (6) D Cell 1.5V alkaline batteries:
Up to 1,000 hours of battery life with typical use, less with RF modem
12 volt rechargeable battery: Up to 250 hours between charging with typical use, less with RF modem

Temperature:

Certified: 14 °F to 104 °F (-10 °C to 40 °C)
Operating: -20 °F to 122 °F (-28 °C to 50 °C)

Auto-Off Mode:

Powers off after the scale is not used for the set time (in minutes); 15, 30, 45, 60 or OFF selectable

Auto Sleep Mode:

Power down during non-use after the set time (in minutes) and powers up with weight change or any key press; 5, 15, 30 or OFF selectable

Service Counters:

Counts number of lifts over percentage of capacity and lifts over capacity

Filtering:

OFF, LO, HI-1 or HI-2 selectable

Radio Link:

802.15.4 at 2.4 GHz

Radio Effective Range:

Typically 100 to 300 ft line of sight

Warranty:

One-year limited

Approvals:

NTEP CC 19-122: 500 to 70,000 lb
Measurement Canada AM-6198: 500 to 5,000 lb

Approvals



Measurement
Canada
Approved

Part Number/Price

| Part # | Description | Resolution | Est. Weight | Price |
|--|--|-----------------|-------------|-------------|
| 4260M with LCD display, Swivel Hook, No RF, 12V SLA Battery | | | | |
| 201951 | 500 lb (250 kg) with 12V battery F/A | 0.2 lb (0.1 kg) | 53 lb | \$5,525.00 |
| 201953 | 2,000 lb (1,000 kg) with 12V battery F/A | 1.0 lb (0.5 kg) | 53 lb | \$5,550.00 |
| 201954 | 5,000 lb (2,500 kg) with 12V battery F/A | 1.0 lb (0.5 kg) | 62 lb | \$5,900.00 |
| 201955 | 10,000 lb (5,000 kg) with 12V battery F/A | 2.0 lb (1.0 kg) | 62 lb | \$6,150.00 |
| 201956 | 20,000 lb (10,000 kg) with 12V battery F/A | 5.0 lb (2.0 kg) | 105 lb | \$8,025.00 |
| 201957 | 30,000 lb (15,000 kg) with 12V battery F/A | 10 lb (5.0 kg) | 125 lb | \$8,425.00 |
| 201958 | 50,000 lb (25,000 kg) with 12V battery F/A | 10 lb (5.0 kg) | 235 lb | \$12,875.00 |
| 201959 | 70,000 lb (35,000 kg) with 12V battery F/A | 20 lb (10 kg) | 270 lb | \$16,850.00 |
| 201960 | 100,000 lb (50,000 kg) with 12V battery F/A | 20 lb (10 kg) | 420 lb | \$25,625.00 |
| 4260M with LCD display, Swivel Hook, No RF, D-Cell Battery | | | | |
| 201999 | 500 lb (250 kg) with D-cell battery F/A | 0.2 lb (0.1 kg) | 53 lb | \$5,550.00 |
| 202000 | 2,000 lb (1,000 kg) with D-cell battery F/A | 1.0 lb (0.5 kg) | 53 lb | \$5,550.00 |
| 202001 | 5,000 lb (2,500 kg) with D-cell battery F/A | 1.0 lb (0.5 kg) | 62 lb | \$5,900.00 |
| 202002 | 10,000 lb (5,000 kg) with D-cell battery F/A | 2.0 lb (1.0 kg) | 62 lb | \$6,150.00 |
| 202003 | 20,000 lb (10,000 kg) with D-cell battery F/A | 5.0 lb (2.0 kg) | 105 lb | \$8,025.00 |
| 202004 | 30,000 lb (15,000 kg) with D-cell battery F/A | 10 lb (5.0 kg) | 125 lb | \$8,425.00 |
| 202005 | 50,000 lb (25,000 kg) with D-cell battery F/A | 10 lb (5.0 kg) | 235 lb | \$12,875.00 |
| 202006 | 70,000 lb (35,000 kg) with D-cell battery F/A | 20 lb (10 kg) | 270 lb | \$16,850.00 |
| 202007 | 100,000 lb (50,000 kg) with D-cell battery F/A | 20 lb (10 kg) | 420 lb | \$25,625.00 |

Capacities over 70,000lb are not NTEP and capacities over 5,000lb are not currently Measurement Canada

OVERHEAD
WEIGHING

MSI-4260M Port-A-Weigh

Industrial Crane Scale

Options/Accessories

| Part # | Description | Est. Weight | Price |
|--|---|-------------|------------|
| 150971 | MSI RF modem option kit (used in MSI-4260, MSI-4260M, MSI-9600HT) | - | \$250.00 |
| 139381 | MSI-8000 RF remote display (requires MSI-4260M equipped with RF modem) | 5 lb | \$1,500.00 |
| 173014 | RF rugged remote control (requires MSI-4260M equipped with RF modem) | - | \$355.00 |
| 153591 | MSI-8000HD remote display, AC power and tilt bracket option (requires MSI-4260M equipped with RF modem) | 3 lb | \$1,625.00 |
| 178281 | MSI-8004HD AC, red/green 85~264 VAC, 47~440 Hz, 120~370 VDC | - | \$1,785.00 |
| 159221 | Universal crane scale transport cart | 180 lb | \$1,340.00 |
| 178004 | LaserLight2, 4 in (100 mm) six-digit RF scoreboard (requires MSI-4260M equipped with RF modem) | 21 lb | \$2,675.00 |
| 178006 | LaserLight2, 6 in (150 mm) six-digit RF scoreboard (requires MSI-4260M equipped with RF modem) | 37 lb | \$3,175.00 |
| 176956 | MSI Wi-Fi modem option kit (used in MSI-4260, MSI-4260M, MSI-6360, MSI-9600HT) | - | \$490.00 |
| Consult | 4260M Retrofit Kit | - | Consult |
| Accessories | | | |
| 150367 | Battery assembly, 12V rechargeable | 7 lb | \$145.00 |
| 138006 | Universal 115/230 VAC, 50/60 Hz battery charger (NA plug standard) | 4 lb | \$345.00 |
| 138007 | Universal 115/230 VAC, 50/60 Hz battery charger (UK plug standard) | 4 lb | \$370.00 |
| 138008 | Universal 115/230 VAC, 50/60 Hz battery charger (EC plug standard) | 4 lb | \$370.00 |
| 149549 | Universal 115/ 230 VAC 50/60 Hz (NA plug standard) battery charger for MSI-8000 remote display | 3 lb | \$175.00 |
| 4260 Sub Hook with Shackle | | | |
| Consult | 500 to 10,000 lb, 6.5 ton shackle | - | Consult |
| Consult | 20,000 to 30,000 lb, 17 ton shackle | - | Consult |
| Consult | 50,000 lb, 25 ton shackle | - | Consult |
| Consult | 70,000 lb, 40 ton shackle | - | Consult |
| Consult | 100,000 lb, 55 ton shackle | - | Consult |
| 4260 Oversize Lifting Eye/Shackle | | | |
| Consult | 500 to 10,000 lb capacity | - | Consult |
| Consult | 20,000 to 30,000 lb capacity, adapter with 25 ton shackle | - | Consult |
| Consult | 50,000 to 70,000 lb capacity | - | Consult |
| Consult | 100,000 lb capacity | - | Consult |

OVERHEAD
WEIGHING

MSI-4260M Port-A-Weigh

Marine Crane Scale



Standard Features

- LCD display
- IP66 cast aluminum
- Top lifting eye with lower link interface
- Battery operated, six (6) D cell 1.5 V alkaline batteries

Options

(Contact MSI for application consultation)

- Rugged Remote (control for on/off, zero, tare and other functions)
- RF modem install for connectivity to MSI-8000, MSI-8000HD, MSI-8004HD, TranSend™ and LaserLight2 remote display. Typically 100 to 300 ft, line of sight; for longer range consult factory.
- Wi-Fi communication is available for specialty applications

Specifications

Accuracy:

± (0.1% +1 d) of applied load

Resolution:

Max NTEP Approved Class III: 5,000 Divisions
Max Non NTEP Approved: 10,000 Divisions

Enclosure:

IP66 cast aluminum

Lifting Eye, Link & Hook:

Top lifting eye with lower link interface

Design Overload:

200% Safe / 500% Ultimate

Functions:

Power: Turns unit on or off
Zero: Zeros applied load up to 100% of capacity (limited range in NTEP configuration),
Tare: Tares applied load and displays weight in net mode
User: Programmable as test, total, unit, peak hold, net/gross, view total and print

Display:

Five-digit, 1.75 in (44.5 mm) LCD with programmable brightness control

Displayable Units:

Pounds or kilograms selectable

Annunciators:

COZ, battery level, net, total, lb/kg, stability, RF and setpoint LEDs

Power:

Battery operated, six (6) D cell 1.5 V alkaline batteries

Operating Time:

Up to 1,000 hours of battery life with typical use, less with RF modem option

Temperature:

Certified: 14 °F to 104 °F (-10 °C to 40 °C)
Operating: -20° F to 122° F (-28 °C to 50 °C)

Auto-Off Mode:

Powers off after the scale is not used for the set time (in minutes); 15, 30, 45, 60 or off selectable

Auto Sleep Mode:

Power down during non-use after the set time (in minutes) and powers up with weight change or any key press; 5, 15, 30 or OFF selectable

Service Counters:

Counts number of lifts over percentage of capacity and lifts over capacity

Filtering:

OFF, LO, HI-1 or HI-2 selectable

Radio Link:

802.15.4 at 2.4 GHz

Radio Effective Range:

Typically 100 to 300 ft line of sight

Warranty:

One-year limited

Approvals:

NTEP CC 19-122
Measurement Canada AM-6198

Approvals



Measurement
Canada
Approved

Part Number/Price

| Part # | Description | Resolution | Est. Weight | Price |
|--------|---------------|-----------------|-------------|------------|
| 194593 | 5,000 lb | 1.0 lb (0.5 kg) | 58 lb | \$5,600.00 |
| 196908 | 5,000 lb w/RF | 1.0 lb (0.5 kg) | 58 lb | \$5,925.00 |

Options/Accessories

| Part # | Description | Est. Weight | Price |
|--------|---|-------------|------------|
| 139381 | MSI-8000 RF remote display (requires MSI-4260M equipped with RF modem) | 5 lb | \$1,500.00 |
| 173014 | RF rugged remote control (requires MSI-4260M equipped with RF modem) | - | \$355.00 |
| 153591 | MSI-8000HD remote display, AC power and tilt bracket option (requires MSI-4260M equipped with RF modem) | 3 lb | \$1,625.00 |
| 178281 | MSI-8004HD AC, red/green 85~264 VAC, 47~440 Hz, 120~370 VDC | - | \$1,785.00 |
| 159221 | Universal crane scale transport cart | 180 lb | \$1,340.00 |
| 178004 | LaserLight2, 4 in (100 mm) six-digit RF scoreboard (requires MSI-4260M equipped with RF modem) | 21 lb | \$2,675.00 |
| 178006 | LaserLight2, 6 in (150 mm) six-digit RF scoreboard (requires MSI-4260M equipped with RF modem) | 37 lb | \$3,175.00 |
| 176956 | MSI Wi-Fi modem option kit (used in MSI-4260, MSI-4260M, MSI-6360, MSI-9600HT) | - | \$490.00 |

OVERHEAD
WEIGHING

MSI-9600HT Hi-Torque Port-A-Weigh Plus

High Torque Crane Scale



Standard Features

- Multi-color LED display
- 12 volt rechargeable battery and universal 115/230 VAC, 50/60 Hz battery charger (NA plug standard)
- Hi-torque load train designed for use with powered rotation

Part Number/Price

| Part # | Description | Resolution | Est. Weight | Price |
|---------|-----------------------------|-----------------|-------------|-------------|
| 214371 | 10,000 lb (5000 kg) F/A | 2.0 lb (1.0 kg) | 62 lb | \$14,400.00 |
| 214370 | 30,000 lb (15,000 kg) F/A | 10 lb (5.0 kg) | 125 lb | \$14,400.00 |
| 214369 | 70,000 lb (35,000 kg) F/A | 20 lb (10 kg) | 270 lb | \$20,400.00 |
| 214477 | 100,000 lb (50,000 kg) F/A | 20 lb (10 kg) | 420 lb | Consult |
| 214474 | 120,000 lb (60,000 kg) F/A | 50 lb (20 kg) | 550 lb | Consult |
| 214479* | 200,000 lb (100,000 kg) F/A | 100 lb (50 kg) | 1,100 lb | Consult |

* 400% Ultimate overload

Options/Accessories

| Part # | Description | Est. Weight | Price |
|--------------------|--|-------------|------------|
| 144126 | Top lifting shackle 9.5 ton for 10,000 lb cap unit | - | Consult |
| 141992 | Top lifting shackle Crosby® G2130 17 ton for 30,000 lb cap unit | - | Consult |
| 146335 | Top lifting shackle Crosby® G2140 40 ton for 70,000 lb cap unit | - | Consult |
| 146336 | Top lifting shackle Crosby® G2140 55 ton for 120,000 lb cap unit | - | Consult |
| 150971 | MSI RF modem option kit (used in MSI-4260, MSI-4260M, MSI-9600HT) | 3 lb | \$250.00 |
| 173014 | RF rugged remote control (requires MSI-9600HT equipped with RF modem) | - | \$355.00 |
| 153591 | MSI-8000HD RF remote display AC powered (no A/D) | 180 lb | \$1,625.00 |
| 178004 | LaserLight2, 4 in (100 mm) six-digit RF scoreboard | 21 lb | \$2,675.00 |
| 178006 | LaserLight2, 6 in (150 mm) six-digit RF scoreboard | 37 lb | \$3,175.00 |
| 159221 | Universal crane scale transport cart | - | \$1,340.00 |
| Consult | AC direct power supply | - | \$560.00 |
| Consult | Anti-heat shield | - | \$1,125.00 |
| Consult | Audible alarm | - | \$420.00 |
| 176956 | MSI Wi-Fi modem option kit (used in MSI-4260, MSI-4260M, MSI-6360, MSI-9600HT) | - | \$490.00 |
| Consult | 9600 Retrofit kit | - | Consult |
| Accessories | | | |
| 150367 | Battery assembly, 12V rechargeable | 7 lb | \$145.00 |
| 138006 | Universal 115/230 VAC, 50/60Hz battery charger (NA plug standard) | 4 lb | \$345.00 |
| 138007 | Universal 115/230 VAC, 50/60Hz battery charger (UK plug standard) | 4 lb | \$370.00 |
| 138008 | Universal 115/230 VAC, 50/60Hz battery charger (EC plug standard) | 4 lb | \$370.00 |

Options

(Contact MSI for application consultation)

- Top shackle
- Rugged Remote (control for on/off, zero, tare and other functions)
- Anti-heat shielding for high-temperature applications
- Substitute bottom hook with shackle
- Oversized top or shackle
- Oversized bottom hooks
- Universal direct power supply
- Wi-Fi communication is available for specialty applications
- RF modem install for connectivity to MSI-8000, MSI-8000HD RF, MSI-8004HD RF remote display, TranSend™ and LaserLight2 remote display
- Typically 100 to 300 ft, line of sight; for longer range consult factory
- Low headroom top adapter
- Audible alarm
- Custom top and bottom interfaces

Specifications

Accuracy:

10,000 to 120,000 lb: ± (0.1% +1 d) of capacity
200,000 lb: ± (0.2% +1 d) of capacity

Resolution:

2,400 to 5,000 d standard
(Up to 10,000 d available)

Enclosure:

NEMA Type 4, IP66, marine grade 356 alloy anodized cast aluminum

Shackle and Hook:

Shackle is optional and Crosby® fixed hook provided as standard

Design Overload:

200% Safe / 500% Ultimate (except where noted)

Functions:

Power: Turns unit on or off
Zero: Zeros applied load up to 100% of capacity
Tare: Tares applied load and displays weight in net
Mode F1: Programmable as test, units, net/gross, total and peak hold

Display:

1.5 in (38 mm, 6-digit, programmable LED display, multi-color (red, orange, and green)

Displayable Units:

Pounds or kilograms selectable

Power:

12 V rechargeable battery, 115/230 VAC battery charger included

Operating Time:

Up to 250 hours w/o radio
Up to 75 hours w/ radio

Temperature:

Operating: 14 °F to 131 °F (-10 °C to 55 °C)

Filtering:

OFF, LO, HI-1 or HI-2 selectable

Radio Link:

802.15.4 at 2.4 GHz

Radio Link Effective Range:

Typically 100 to 300 ft line of sight

Warranty:

One-year limited

MSI-6360 Trans-Weigh

Crane Scale



Approvals



Standard Features

- Top lifting eye or shackle, bottom thrust bearing swivel hook
- 12 volt rechargeable battery and universal 115/230 VAC, 50/60 Hz battery charger (NA plug standard)
- RF modem install for connectivity to MSI-8000, MSI-8000HD RF, MSI-8004HD RF remote display, TranSend™ and LaserLight2 remote display. Typically 100 to 300 ft, line of sight; for longer range consult factory.
- Meets or exceeds OSHA, ANSI, ASME and other safety design standards (5:1 Ultimate Safety Factor)

Part Number/Price

| Part # | Description | Resolution | Est. Weight | Price |
|--------|----------------------------|-----------------|-------------|-------------|
| 215829 | 500 lb (250 kg) F/A | 0.2 lb (0.1 kg) | 53 lb | \$6,000.00 |
| 215830 | 2,000 lb (1000 kg) F/A | 1.0 lb (0.5 kg) | 53 lb | \$6,000.00 |
| 215831 | 5,000 lb (2500 kg) F/A | 1.0 lb (0.5 kg) | 62 lb | \$6,100.00 |
| 215832 | 10,000 lb (5000 kg) F/A | 2.0 lb (1.0 kg) | 62 lb | \$6,675.00 |
| 215833 | 20,000 lb (10,000 kg) F/A | 5.0 lb (2.0 kg) | 105 lb | \$7,725.00 |
| 215834 | 30,000 lb (15,000 kg) F/A | 10 lb (5.0 kg) | 125 lb | \$7,825.00 |
| 215835 | 50,000 lb (25,000 kg) F/A | 10 lb (5.0 kg) | 235 lb | \$15,600.00 |
| 215836 | 70,000 lb (35,000 kg) F/A | 20 lb (10 kg) | 270 lb | \$21,900.00 |
| 215837 | 100,000 lb (50,000 kg) F/A | 20 lb (10 kg) | 420 lb | \$33,100.00 |

Options

(Contact MSI for application consultation)

- Anti-heat shielding for high-temperature applications
- Rugged Remote (control for on/off, zero, tare, and other functions)
- Substitute bottom swivel hook with shackle
- Oversized top lifting eye or shackle
- Oversized bottom hook
- Low headroom top adapter
- Universal direct power supply; 85 to 265 VAC, 47 to 440 Hz/130 to 300 VDC
- Wi-Fi communication is available for specialty applications
- Custom top and bottom interfaces
- Crane scale cart

Specifications

Accuracy:

± (0.1% +1 d) of capacity

Resolution:

3,000 to 5,000 d standard
(Up to 10,000 d available)

Enclosure:

NEMA Type 4, IP66, marine grade 356 alloy anodized cast aluminum

Lifting Eye, Shackle and Hook:

Crosby® or equivalent with 360° thrust-bearing swivel hook

Design Overload:

200% Safe / 500% Ultimate

Functions:

On/Off

Displayable Units:

Pounds or kilograms selectable

Power:

12 V rechargeable battery, 115/230 VAC battery charger included

Operating Time:

Up to 75 hours between charging with typical use

Temperature:

Certified: 14 °F to 104 °F (-10 °C to 40 °C)
Operating: -40 °F to 176 °F (-40 °C to 80 °C)

Calibration:

Digital via MSI ScaleCore remote device

Radio Link:

802.15.4 at 2.4 GHz

Radio Link Effective Range:

Typically 100 to 300 ft line of sight

Warranty:

One-year limited

Approvals:

NTEP 19-122: 500 to 70,000 lb

OVERHEAD
WEIGHING

MSI-6360 Trans-Weigh

Crane Scale

Options/Accessories

| Part # | Description | Est. Weight | Price |
|--|--|-------------|------------|
| 144773 | MSI RF Module, XBEE-PRO 802.15.4 | | \$145.00 |
| 139381 | MSI-8000 Remote Display | 5 lb | \$1,500.00 |
| 173014 | RF Rugged remote control | 1 lb | \$355.00 |
| 153591 | MSI-8000HD RF remote display AC powered (no A/D) | 4 lb | \$1,625.00 |
| 178281 | MSI-8004HD AC, red/green 85~264 VAC, 47~440 Hz, 120~370 VDC | - | \$1,785.00 |
| 178004 | 4 in LaserLight2 MSI RF | 21 lb | \$2,675.00 |
| 178006 | 6 in LaserLight2 MSI RF | 37 lb | \$3,175.00 |
| 159221 | Universal crane scale transport cart | 180 lb | \$1,340.00 |
| 175308 | MSI WiFi Modem 802.11 b/g | | \$145.00 |
| Consult | AC power supply | - | \$560.00 |
| Consult | Anti-heat shield | - | \$1,125.00 |
| Consult | Audible alarm | - | \$420.00 |
| Consult | 6360 retrofit kit | 5 lb | Consult |
| 6360 Sub Hook with Shackle | | | |
| Consult | 500 to 10,000 lb, 6.5 ton shackle | - | Consult |
| Consult | 20,000 to 30,000 lb, 17 ton shackle | - | Consult |
| Consult | 50,000 lb, 25 ton shackle | - | Consult |
| Consult | 70,000 lb, 40 ton shackle | - | Consult |
| Consult | 100,000 lb, 55 ton shackle | - | Consult |
| 6360 Oversize Lifting Eye/Shackle | | | |
| Consult | 500 to 10,000 lb capacity | - | Consult |
| Consult | 20,000 to 30,000 lb capacity, adapter with 25 ton shackle | - | Consult |
| Consult | 50,000 to 70,000 lb capacity | - | Consult |
| Consult | 100,000 lb capacity | - | Consult |
| Accessories | | | |
| 150367 | Battery assembly, 12 volt rechargeable | 6.6 lb | \$145.00 |
| 138006 | Universal 115/230 VAC, 50/60 Hz battery charger (NA plug standard) | 4 lb | \$345.00 |
| 138007 | Universal 115/230 VAC, 50/60 Hz battery charger (UK plug standard) | 4 lb | \$370.00 |
| 138008 | Universal 115/230 VAC, 50/60 Hz battery charger (EC plug standard) | 4 lb | \$370.00 |

OVERHEAD
WEIGHING

RL101 Scale

Compact Digital Below-the-Hook Scale



Remote Control

Standard Features

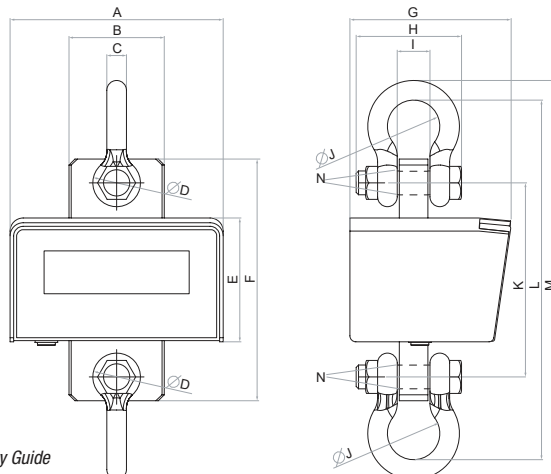
- Low headroom (14.5 to 16.65 in)
- Infrared remote control (up to 25 ft)
- Carrying case
- Single and multi-point calibration
- Upper and lower shackles
- Lift and weigh scale (or device)

Part Number/Price

| Part # | Description | Resolution | Est. Weight | Price |
|--------|---|------------------|-------------|------------|
| 219144 | 3 K Capacity (0 to 600 lbs / 601 to 1,500 lbs / 1,501 to 3,000 lbs) | 0.2 / 0.5 / 1 lb | 25 lb | \$1,750.00 |
| 219145 | 6 K Capacity (0 to 1,500 lbs / 1,501 to 3,000 lbs / 3,002 to 6,000 lbs) | 0.5 / 1 / 2 lb | 32 lb | \$1,950.00 |
| 219147 | 12 K Capacity (0 to 3,000 lbs / 3,002 to 6,000 lbs / 6,005 to 12,000 lbs) | 1 / 2 / 5 lb | 32 lb | \$2,100.00 |

Dimensions

| RL101 3 K / 6 K & 12 K | | | |
|------------------------|-----------------------------------|---|---------------------------------------|
| A | 7.09 in (180 mm) | H | 3.48 in (88.5 mm) / 4.76 in (121 mm) |
| B | 3.15 in (80 mm) | I | 3.48 in (88.5 mm) / 4.76 in (121 mm) |
| C | 0.63 in (16 mm) / 0.87 in (22 mm) | J | 1.69 in (43 mm) / 2.28 in (58 mm) |
| D | 1.58 in (40) / 2.17 in (55 mm) | K | 7.72 in (196 mm) / 7.32 in (186 mm) |
| E | 4.09 in (104 mm) | L | 13.19 in (335 mm) / 14.92 in (379 mm) |
| F | 9.69 in (246 mm) | M | 14.49 in (368 mm) / 16.65 in (423 mm) |
| G | 5.35 in (136 mm) | N | 0.83 in (21 mm) / 1.1 in (28 mm) |



*Please review the
Overhead Weighing Safety Guide

Specifications

Power:

Batteries: four AA (included)

Battery Life:

Up to 40 hours, standard configuration

Resolution:

3,000 d standard

Annunciators:

COZ, net, gross, low batt, lb/kg/t, motion, active weight range and tare

Keys/Buttons:

Five key: zero, tare, mode, print and on/off

Display:

1 in (25 mm) backlight, LCD

Displayable Units:

Pounds and kilograms, selectable

Accuracy:

± 0.03% of capacity

Design Overload:

150% Safe / 500% Ultimate

Auto-Off Mode:

Off, 1-minute intervals (programmable)

Shackles:

Forged, alloy steel (6:1 safety factor)

Temperature:

Operating: 14 °F to 104 °F (-10 °C to 40 °C)

Rating/Material:

IP54

Oven-fired painted steel

Filtering:

Various: overhead weighing-dYn.0, dYn.1, dYn.2, dYn.3

Warranty:

One-year limited

OVERHEAD
WEIGHING

Crane Scale Cart

Universal Transport and Storage Cart



Standard Features

- Designed to hold MSI-4260, MSI-4260IS, MSI-4260M, MSI-4300, MSI-9600HT, MSI-6360
- Four swivel casters with brake
- Powder coated mild steel

Specifications

Warranty:

One-year limited

Part Number/Price

| Part # | Description | Est. Weight | Price |
|----------------|---|-------------|------------|
| 159221 | Universal MSI Crane Scale Cart | 180 lb | \$1,340.00 |
| Consult | Modified versions of universal MSI Crane Scale Cart | - | Consult |

MSI-7300 Dyna-Link 2

Digital Tension Dynamometer



Shown with optional shackles

Part Number/Price

| Part # | Description | Resolution | Est. Weight | Price |
|---|---|-----------------|-------------|------------|
| 139162 | 1,000 lb (500 kg) F/A | 0.5 lb (0.2 kg) | 8 lb | \$1,700.00 |
| 139163 | 2,500 lb (1,250 kg) F/A | 1 lb (0.5 kg) | 9 lb | \$1,700.00 |
| 139164 | 5,000 lb (2,500 kg) F/A | 2 lb (1.0 kg) | 9 lb | \$1,700.00 |
| 139165 | 10,000 lb (5,000 kg) F/A | 5 lb (2.0 kg) | 11 lb | \$1,825.00 |
| 139166 | 25,000 lb (12,500 kg) F/A | 10 lb (5 kg) | 19 lb | \$2,450.00 |
| 139167 | 50,000 lb (25,000 kg) F/A | 20 lb (10 kg) | 29 lb | \$3,150.00 |
| 139168* | 100,000 lb (50,000 kg) F/A | 50 lb (20 kg) | 65 lb | \$4,125.00 |
| Optional Configurations (for connectivity to MSI-8000 RF Remote Display) F/A | | | | |
| 139441 | 1,000 lb (500 kg) RF module | 0.5 lb (0.2 kg) | 8 lb | \$1,925.00 |
| 139442 | 2,500 lb (1,250 kg) RF module | 1 lb (0.5 kg) | 9 lb | \$1,925.00 |
| 139443 | 5,000 lb (2,500 kg) RF module | 2 lb (1 kg) | 9 lb | \$1,925.00 |
| 139444 | 10,000 lb (5,000 kg) RF module | 5 lb (2 kg) | 11 lb | \$2,050.00 |
| 139445 | 25,000 lb (12,500 kg) RF module | 10 lb (5 kg) | 19 lb | \$2,625.00 |
| 139446 | 50,000 lb (25,000 kg) RF module | 20 lb (10 kg) | 29 lb | \$3,350.00 |
| 139447* | 100,000 lb (50,000 kg) RF module | 50 lb (20 kg) | 65 lb | \$4,325.00 |
| 159168* | 120,000 lb (60,000 kg) RF module includes MSI-8000 | 50 lb (20 kg) | 57 lb | Consult |
| 159169* | 180,000 lb (90,000 kg) RF module includes MSI-8000 | 100 lb (50 kg) | 74 lb | Consult |
| 159170* | 260,000 lb (130,000 kg) RF module includes MSI-8000 | 100 lb (50 kg) | 100 lb | Consult |
| 159171* | 380,000 lb (190,000 kg) RF module includes MSI-8000 | 200 lb (100 kg) | 169 lb | Consult |
| 159172** | 550,000 lb (275,000 kg) RF module includes MSI-8000 | 200 lb (100 kg) | 336 lb | Consult |
| MSI-7300 Dyna-Link 2 Wi-Fi | | | | |
| 176813 | 1,000 lb (500 kg) F/A with Wi-Fi | 0.5 lb (0.2 kg) | 8 lb | \$1,850.00 |
| 176814 | 2,500 lb (1,250 kg) F/A with Wi-Fi | 1 lb (0.5 kg) | 9 lb | \$1,950.00 |
| 176815 | 5,000 lb (2,500 kg) F/A with Wi-Fi | 2 lb (1.0 kg) | 9 lb | \$1,950.00 |
| 176816 | 10,000 lb (5,000 kg) F/A with Wi-Fi | 5 lb (2.0 kg) | 11 lb | \$2,075.00 |
| 176817 | 25,000 lb (12,500 kg) F/A with Wi-Fi | 10 lb (5 kg) | 19 lb | \$2,700.00 |
| 176818 | 50,000 lb (25,000 kg) F/A with Wi-Fi | 20 lb (10 kg) | 29 lb | \$3,525.00 |
| 176819 | 100,000 lb (50,000 kg) F/A with Wi-Fi | 50 lb (20 kg) | 65 lb | \$4,425.00 |
| 176827 | 120,000 lb (60,000 kg) F/A with Wi-Fi | 50 lb (20 kg) | 57 lb | Consult |
| 176828 | 180,000 lb (90,000 kg) F/A with Wi-Fi | 100 lb (50 kg) | 74 lb | Consult |
| 176829 | 260,000 lb (130,000 kg) F/A with Wi-Fi | 100 lb (50 kg) | 100 lb | Consult |
| 176830 | 380,000 lb (190,000 kg) F/A with Wi-Fi | 200 lb (100 kg) | 169 lb | Consult |
| 176831 | 550,000 lb (275,000 kg) F/A with Wi-Fi | 200 lb (100 kg) | 336 lb | Consult |

* 500% Ultimate overload

** 440% Ultimate overload

Standard Features

- LCD display
- Two C-cell alkaline batteries for capacities up to 10,000 lb (5,000 kg)
- Two D-cell alkaline batteries for capacities 25,000 lb (12,500 kg) and above

Options

(Contact MSI for application consultation)

- Crosby® top and bottom shackles
- Portable transport case
- Serial output cable
- Rugged Remote (control for On/Off, Zero, Tare and other functions)
- RF modem install for connectivity to MSI-8000, MSI-8000HD RF, MSI-8004HD RF remote display and TranSend™. Typically 100 to 300 ft, line of sight, for longer range consult factory.
- Audible alarm

Specifications

Accuracy:

- 0.1% FS of rated capacity (up to 100,000 lb)
- 0.5% FS of rated capacity (120,000 lb and above)

Enclosure:

- NEMA Type 4, IP65, anodized corrosion-resistant finish

Material:

- 2024 aircraft grade aluminum
- 100,000 lb and above: Zinc plated, 4340 mild steel

Design Overload:

- 200% Safe / 700% Ultimate* (except where noted)

Functions:

- On/Off, zero, hi-speed peak hold, setpoints, total, tare, auto-off, motion filter

Display:

- 5-digit, 1.22 in (31 mm) tall, LCD - 50,000 lb and lower
- 6-digit, 1.00 in (25 mm) tall, LCD - 100,000 lb and higher

Displayable Units:

- Pounds, kilograms, kilonewtons, tons, metric tons

LED Annunciators:

- Function 1, function 2, setpoint 1, setpoint 2

LCD Annunciators:

- Net, center of zero, stable, battery test, peak hold, total

Power:

- Two each C-cell alkaline batteries for capacities up to 10,000 lb; two each D-cell alkaline batteries for capacities 25,000 to 100,000 lb

Operating Time:

- From 150 to 300 hours in typical use depending on unit capacity and battery configuration.
- Approximately 25 to 30 hours with optional RF modem link installed.

Temperature:

- Operating: -4 °F to 140 °F (-20 °C to 60 °C)

Filtering:

- OFF, LO, HI selectable

Data Output:

- Serial RS-232

Warranty:

- Two-year limited

OVERHEAD
WEIGHING

MSI-7300 Dyna-Link 2

Digital Tension Dynamometer

Options/Accessories

| Part # | Description | Est. Weight | Price |
|---------|---|-------------|------------|
| 151357* | Shackle anchor, bolt type 3.25 ton for 500 lb-5,000 lb unit | 1.5 lb | Consult |
| 151355* | Shackle anchor, bolt type 6.5 ton for 10,000 lb unit | 3 lb | Consult |
| 141992* | Shackle anchor, bolt type 17 ton for 25,000 lb unit | 19.5 lb | Consult |
| 151356* | Shackle anchor, bolt type 25 ton for 50,000 lb unit | 31.5 lb | Consult |
| 146336* | Shackle anchor, bolt type 55 ton for 100,000 lb unit | 51.5 lb | Consult |
| 151359* | Shackle anchor, bolt type 85 ton for 180,000 lb unit | 103 lb | Consult |
| 151360* | Shackle anchor, bolt type 120 ton for 260,000 lb unit | 112.5 lb | Consult |
| 151361* | Shackle anchor, bolt type 175 ton for 380,000 lb unit | 332.5 lb | Consult |
| 151358* | Shackle anchor, bolt type 250 ton for 550,000 lb unit | 650lb | Consult |
| 139381 | MSI-8000 RF remote display (requires MSI-7300 equipped with optional RF modem) | 5 lb | \$1,500.00 |
| 153591 | MSI-8000HD RF remote display, A/C powered with tilt stand (requires MSI-7300 equipped with optional RF modem) | 5 lb | \$1,625.00 |
| 165313 | Heavy duty Pelican transport case with precision cut. Heavy duty foam for units up to 10,000 lb capacity | 10 lb | \$405.00 |
| 145076 | Transport crate for 25,000 lb and 50,000 lb capacity unit | 35 lb | \$480.00 |
| 145073 | Transport crate for 100,000 lb capacity unit | 42 lb | Consult |
| 139470 | RS-232 serial cable for MSI-7300 | 1 lb | \$180.00 |
| 178004 | LaserLight2, 4 in (100 mm) six-digit RF scoreboard (requires MSI-7300 equipped with optional RF modem) | 21 lb | \$2,675.00 |
| 178006 | LaserLight2, 6 in (150 mm) six-digit RF scoreboard (requires MSI-7300 equipped with optional RF modem) | 37 lb | \$3,175.00 |
| 149549 | Universal 115/ 230 VAC 50/60 Hz (NA plug standard) battery charger for MSI-8000 remote display | 3 lb | \$175.00 |
| 173014 | Rugged remote control (requires MSI-7300 equipped with optional RF modem) | 1 lb | \$355.00 |
| 150964 | RS-232 13 ft (4 m) serial cable for MSI-8000 | 1 lb | \$210.00 |
| 139438 | Audible setpoint (not available with MSI-7300RF or MSI-7300WiFi) | - | \$460.00 |
| 149550 | Battery charger for MSI-8000 EC plug | - | \$170.00 |

* 2 shackles will be needed per 7300

MSI Dyna-Clamp

Tension Meter



Approvals



Part Number/Price

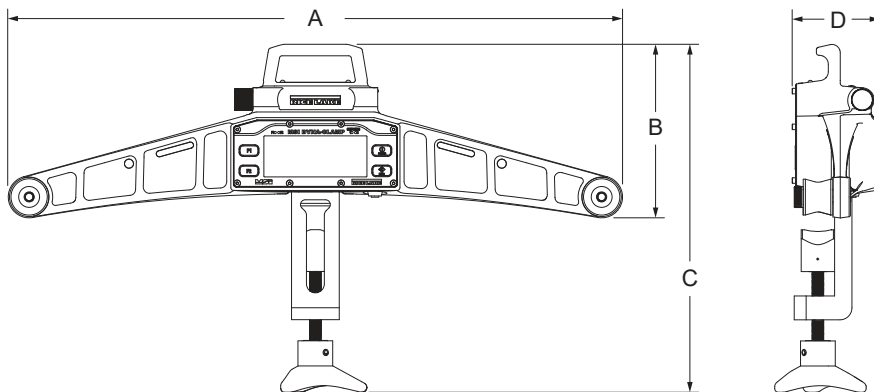
| Part # | Description | Tension | Est. Weight | Price |
|--------|------------------------------|-----------------------------------|-------------|------------|
| 189581 | MSI Dyna-Clamp tension meter | 12,500 lbf (5,670 kgf / 55.60 kN) | 15 lb | \$5,125.00 |

Options/Accessories

| Part # | Description | Price |
|--------|--------------------------|----------|
| 198418 | Heavy-duty carrying case | \$680.00 |

Dimensions

| MSI Dyna-Clamp | | | |
|----------------|----------------------|---|---|
| A | 25.70 in (652.80 mm) | C | 13.75 in-15.50 in (349.25 mm-393.70 mm) |
| B | 7.30 in (185.50 mm) | D | 3.70 in (94 mm) |



Standard Features

- Dual line LCD display
- Two user-programmable function keys
- IP65 anodized aluminum frame
- RS-232 port
- Up to eight factory calibrations included at no additional cost

Options

(Contact MSI for application consultation)

- Heavy-duty carrying case

Specifications

Power:

Battery operated two AA cells 1.5 V alkaline batteries (can be replaced with rechargeable NiMH cells)

Max Tension:

12,500 lbf (5,670 kgf / 55.60 kN)

Operating Time:

Alkaline AA-cells: 24 hours

Wire Rope:

Diameter 3/16 in (5 mm) to 1 in (25 mm)

Accuracy:

±3% of capacity

Units:

lbf, kgf, kN

Resolution:

Standard: 2,500 divisions

Display:

Primary display (bottom) six, 0.7 in (18 mm) numeric digits
Secondary display (top) eight, 0.5 in (13 mm) numeric digits

Function Keys:

Two programmable keys (user-defined) – F1, F2 (test, unit, print, scroll, actfun)
Two permanent keys – power, zero

Setpoints:

Two dedicated setpoints for minimum and maximum allowable wire rope tension (LEDs for measurements outside of allowable range)

Auto-Off Mode:

Prolongs battery life by turning power OFF after 15, 30, 45 or 60 minutes of no activity (user determined)

Enclosure:

IP65 powder-coated aluminum frame

Calibration:

Up to eight factory programmed wire rope calibrations

Temperature:

Operating:
-4 °F to 122 °F (-20 °C to 50 °C)

Operator Use:

Outdoor

Storage:

Indoor

Warranty:

Two-year limited

Approvals:

CE Marked
UKCA

OVERHEAD
WEIGHING

MSI Clamp-On

Load Cell



Standard Features

- A durable solution for measuring wire rope tension and preventing overloads for cranes and hoists. Available in two envelopes for accommodating the most common wire ropes. Weight-based setpoints can provide the operator alerts and safety shut-offs based on unsafe load conditions.

Options

(Contact MSI for application consultation)

- Custom sizes available on request
- Pair with an SCT transmitter for basic safety functions

Specifications

System Accuracy of Calibrated Capacity:
3 to 5%

Output Resistance:
350 ohm

Material/Finish:
4340 steel, zinc plated

IP Rating:
IP68

Cable Length:
20 ft integral cable with blunt end termination

Cable Color Code:
Red +Excitation
Black -Excitation
Green +Signal
White -Signal

Part Number/Price

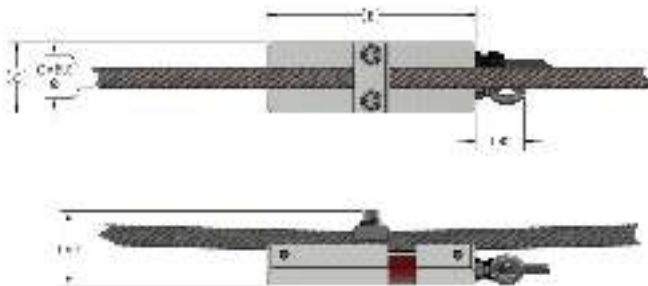
| Part # | Description | Price |
|--------|--|------------|
| 179080 | Load cell assembly Clamp-On for 3/8 to 1/2 in wire rope | \$790.00 |
| 179082 | Load cell assembly Clamp-On for 9/16 to 3/4 in wire rope | \$940.00 |
| 188816 | Kit with SCT-2200 for 3/8 to 1/2 in wire rope | \$1,400.00 |
| 188817 | Kit with SCT-2200 for 9/16 to 3/4 in wire rope | \$1,550.00 |

Larger diameter clamp ons available - call for pricing

Dimensions

| Cable Range | P/N | A | B | C |
|-------------|--------|--------------|------|------|
| 3/8 - 1/2 | 179080 | Cable + 1.70 | 6.00 | 2.00 |
| 9/16-3/4 | 179082 | Cable + 1.67 | 6.00 | 2.00 |

*8mm cable can be used with PN 179080



Optional SCT-2200 transmitter

OVERHEAD
WEIGHING



Standard Features

- Designed and manufactured to each integrated solution. Machined from 17-4 stainless steel for safety, strength and corrosion resistance.

(Contact MSI for application consultation)

For most overhead weighing applications, traditional scales are an ideal solution. However, applications with limited to no headroom require specialty equipment beyond even reduced-height or low-profile crane scales.

One such solution is an MSI load pin sensor. A load pin sensor is a type of load cell that directly replaces clevis, pivot, normal shaft or equalizer pins. Load pin sensors are designed to be permanently installed, so they can continuously monitor vertical or horizontal tension. An integrated load pin provides load monitoring and overload protection without impacting headroom to promote safety and to prevent costly equipment damage.

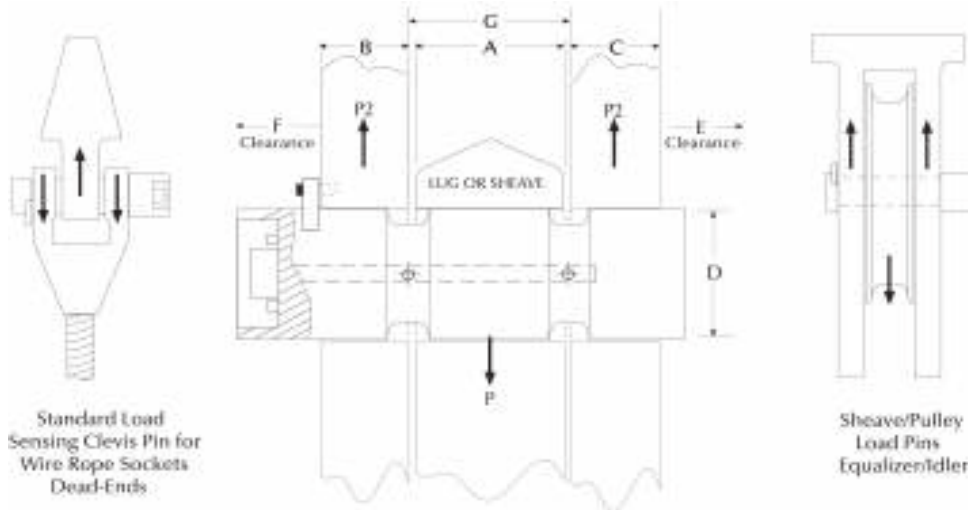
Rice Lake's industry leading engineers design and manufacture custom load pin sensors for any application. Every load pin is constructed from stainless steel for safety, strength (minimum 5:1) and corrosion resistance.

To receive a quote for a load pin sensor, complete the load pin questionnaire on page 822 or online at www.ricelake.com/questionnaires. For further assistance, contact an MSI overhead weighing specialist.

MSI Load Pin Questionnaire

Name: _____
 Company: _____
 Phone: _____

LOAD PIN CRITICAL DIMENSIONS



| A=Width | B=Width | C=Width | D=Diameter | E=Clearance | F=Clearance | G=Width |
|---------|---------|---------|------------|-------------|-------------|---------|
| inch | inch | inch | inch | inch | inch | inch |

NOTE: Minimum clearance between A and G is 0.0625 inch

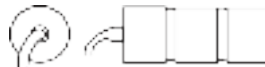
LOAD PIN DATA

Lube port: Yes No _____ # of exits
 Hoist capacity: _____ tons
 Parts of wire rope: _____
 Sensor capacity: _____ tons
 Safety factor: 3:1 5:1 7:1 10:1
 Application: _____

Accuracy requirement: _____
 Temperature requirement: _____
 Output requirement: _____
 Material testing requirements: _____
 Load vector orientation/alignment:
 ← → ↑ ↓

CABLE CONNECTIONS

End-mounted cable:



Sensor's cable length: _____ feet

End-mounted connector:
(standard)



Comments: _____

Side-mounted cable:



Side-mounted connector:



Recessed connector:



Form #0201 New 10/2024



Standard Features

- Designed to be placed above the trunnion of a load block, this integrated low-profile load cell eliminates headroom loss
- Off-axis compensation

(Contact MSI for application consultation)

Specifications

Accuracy (Static Load):

0.5 to 1% system accuracy of rated capacity

Material:

4340 alloy steel, zinc plated

IP Rating:

IP67

Resistance:

700 ohm

Part Number/Price

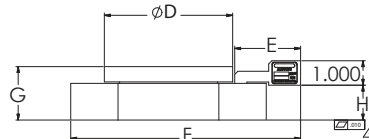
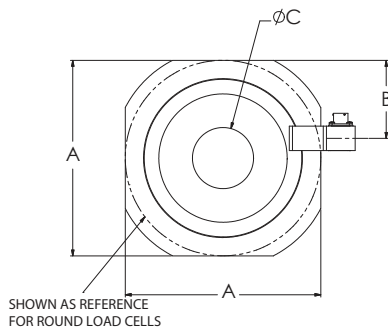
| Part # | Description | Est. Weight | Price |
|--------|--------------------------------|-------------|---------|
| 160651 | 10,000 lb/5,000 kg capacity | 5 lb | Consult |
| 163595 | 20,000 lb/10,000 kg capacity | 10 lb | Consult |
| 163596 | 40,000 lb/20,000 kg capacity | 20 lb | Consult |
| 163829 | 60,000 lb/30,000 kg capacity | 30 lb | Consult |
| 163597 | 80,000 lb/40,000 kg capacity | 34 lb | Consult |
| 163598 | 100,000 lb/50,000 kg capacity | 38 lb | Consult |
| 159550 | 120,000 lb/60,000 kg capacity | 60 lb | Consult |
| 163599 | 160,000 lb/80,000 kg capacity | 105 lb | Consult |
| 163600 | 200,000 lb/100,000 kg capacity | 215 lb | Consult |

Options/Accessories

| Part # | Description | Price |
|--------|---|----------|
| 165978 | Load cell to MSI-7001 interface cable, 6.5 ft | \$345.00 |
| 165979 | Load cell to MSI-7001 interface cable, 10 ft | \$365.00 |
| 165980 | Load cell to MSI-7001 interface cable, 16 ft | \$400.00 |
| 165989 | Load cell to MSI-7001 interface cable, 20 ft | \$430.00 |
| 165990 | Load cell to MSI-7001 interface cable, 25 ft | \$460.00 |
| 165991 | Load cell to MSI-7001 interface cable, 32 ft | \$535.00 |

Dimensions

| Part # | Capacity | A | B | C (+0.005-0.000) | D | E | F | G | H | Required Hook Shank Diameter (+0.000,-0.005) |
|--------|------------|-----------|----------|---------------------|-----------|----------|-----------|----------|----------|--|
| 160651 | 10,000 lb | 3.500 in | 1.350 in | 1.005 in | 2.450 in | 1.880 in | 4.905 in | 1.500 in | 1.000 in | 1.000 in |
| 163595 | 20,000 lb | 6.000 in | 2.500 in | 1.505 in | 3.500 in | 2.443 in | 7.405 in | 1.750 in | 1.250 in | 1.500 in |
| 163596 | 40,000 lb | 7.500 in | 3.150 in | 2.005 in | 5.000 in | 2.580 in | 8.905 in | 2.000 in | 1.375 in | 2.000 in |
| 163829 | 60,000 lb | 8.000 in | 3.190 in | 2.505 in | 5.250 in | 2.695 in | 9.405 in | 2.188 in | 1.500 in | 2.500 in |
| 163597 | 80,000 lb | 8.500 in | 3.650 in | 3.505 in | 5.750 in | 2.680 in | 9.905 in | 2.313 in | 1.500 in | 3.500 in |
| 163598 | 100,000 lb | 9.125 in | 3.873 in | 4.005 in | 7.000 in | 2.382 in | 10.530 in | 2.668 in | 1.875 in | 4.000 in |
| 159550 | 120,000 lb | 9.125 in | 3.873 in | 4.005 in | 7.000 in | 2.382 in | 10.530 in | 2.813 in | 2.000 in | 4.000 in |
| 163599 | 160,000 lb | 16.000 in | 7.030 in | 6.005 in | 14.500 in | 2.955 in | 17.405 in | 4.625 in | 2.500 in | 6.000 in |
| 163600 | 200,000 lb | 16.000 in | 7.030 in | 6.005 in | 14.500 in | 2.955 in | 17.405 in | 5.125 in | 3.000 in | 6.000 in |



OVERHEAD WEIGHING

MSI Tension Link

Load Cell



Standard Features

- Integrates between a crane block and lifting equipment to provide force measurement for lifted items. This ideal integration for cranes features a 7:1 safety factor for compliance with industrial and military safety requirements.

Options

(Contact MSI for application consultation)

- Crosby® top and bottom shackles

Specifications

Full Scale Output:
0.8 mV/V

Output Resistance:
2,000 ohm

Input Resistance:
1,500 ohm

Material/Finish:
4340 steel

Connector Pin Out:

- A: EX +
- B: Sig +
- C: Sig -
- D: EX -

Accuracy:

0.1% sensor accuracy

Part Number/Price

| Part # | Description | Price |
|--------|---------------------------------|---------|
| 181907 | 2 K 7200 style load cell only | Consult |
| 181908 | 5 K 7200 style load cell only | Consult |
| 181909 | 10 K 7200 style load cell only | Consult |
| 178093 | 25 K 7200 style load cell only | Consult |
| 178094 | 50 K 7200 style load cell only | Consult |
| 181910 | 100 K 7200 style load cell only | Consult |

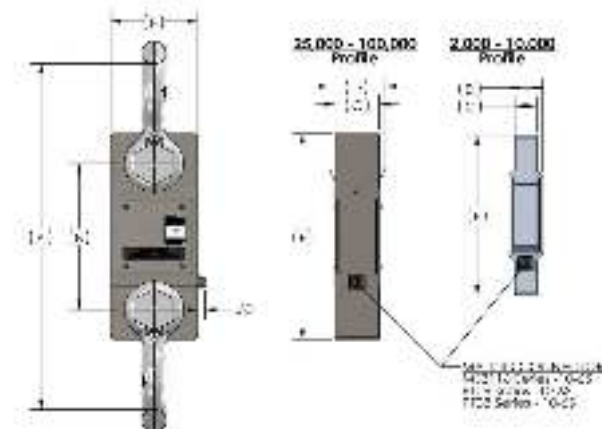
Contact factory for higher capacities

Options/Accessories

| Part # | Description | Price |
|--------|---|----------|
| 165978 | Load cell to MSI-7001 interface cable, 6.5 ft | \$345.00 |
| 165979 | Load cell to MSI-7001 interface cable, 10 ft | \$365.00 |
| 165990 | Load cell to MSI-7001 interface cable, 25 ft | \$460.00 |
| 134505 | Load cell mating cable to bare wires, 10 ft | \$195.00 |

Dimensions

| Capacity (lbs) | P/N | Load Cell Material | (A) Headroom Loss | (B) C-C Length | (C) Lug Thk | (D) Body Thk | (E) Body Width | (F) Body Length | Lug Hole | Crosby Shackle |
|----------------|--------|--------------------|-------------------|----------------|-------------|--------------|----------------|-----------------|----------|----------------|
| 2,000 | 181907 | Aluminum | 13.50 in | 8.00 in | 0.99 in | 2.13 in | 4.50 in | 9.75 in | 0.78 in | 3-1/4 T 151357 |
| 5,000 | 181908 | Aluminum | 13.50 in | 8.00 in | 0.99 in | 2.13 in | 4.50 in | 9.75 in | 0.78 in | 3-1/7 T 151357 |
| 10,000 | 181909 | Aluminum | 16.13 in | 8.50 in | 1.35 in | 2.13 in | 5.37 in | 10.75 in | 1.05 in | 6-1/2 T 151355 |
| 25,000 | 178093 | Steel | 22.39 in | 9.26 in | 2.24 in | 2.24 in | 4.80 in | 12.76 in | 1.67 in | 17 T 141992 |
| 50,000 | 178094 | Steel | 25.74 in | 9.76 in | 2.74 in | 2.81 in | 5.43 in | 13.76 in | 2.05 in | 25 T 151356 |
| 100,000 | 181910 | Steel | 28.49 in | 10.74 in | 3.09 in | 3.09 in | 6.86 in | 15.74 in | 2.30 in | 55 T 146336 |

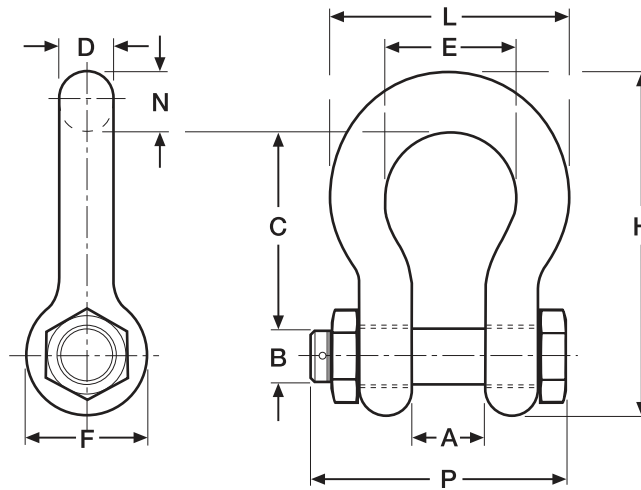


OVERHEAD WEIGHING

Shackle Dimensions

Part Number/Price

| Part # | W.L.L. Tons | Size | A | B | C | D | E | F | H | L | N | P | Weight | Price |
|---------------------------|---|---------|---------|---------|----------|---------|----------|----------|----------|----------|---------|----------|-----------|---------|
| 151357 | 3 1/4 | 0.63 in | 1.06 in | .75 in | 2.38 in | 0.63 in | 1.69 in | 1.56 in | 4.22 in | 2.94 in | 0.69 in | N/A | 1.58 lb | Consult |
| 151355 | 6 1/2 | 0.88 in | 1.44 in | 1.00 in | 3.31 in | 0.88 in | 2.28 in | 2.13 in | 5.75 in | 4.03 in | 0.97 in | 5.00 in | 3.95 lb | Consult |
| 141992 | 17 | 1.50 in | 2.38 in | 1.63 in | 5.75 in | 1.50 in | 3.88 in | 3.63 in | 9.88 in | 6.88 in | 1.62 in | 8.25 in | 19.50 lb | Consult |
| 151356 | 25 | 1.75 in | 2.88 in | 2.00 in | 7.00 in | 1.75 in | 5.00 in | 4.32 in | 11.88 in | 8.50 in | 2.12 in | 9.59 in | 31.30 lb | Consult |
| 146334 | 30 | 1.50 in | 2.38 in | 1.63 in | 5.75 in | 1.50 in | 3.88 in | 3.63 in | 9.88 in | 6.88 in | 1.62 in | 8.25 in | 20.80 lb | Consult |
| 146335 | 40 | 1.75 in | 2.88 in | 2.00 in | 7.00 in | 1.75 in | 5.00 in | 4.32 in | 11.88 in | 8.50 in | 2.12 in | 9.59 in | 33.91 lb | Consult |
| 146336 | 55 | 2.00 in | 3.25 in | 2.25 in | 7.75 in | 2.00 in | 5.75 in | 5.00 in | 13.38 in | 9.75 in | 2.00 in | 11.00 in | 51.75 lb | Consult |
| 151359 | 85 | 2.5 in | 4.12 in | 2.75 in | 10.50 in | 2.72 in | 7.25 in | 5.69 in | 17.84 in | 12.87 in | 3.12 in | 13.58 in | 96.00 lb | Consult |
| 151360 | 120 | 3.00 in | 5.00 in | 3.25 in | 13.00 in | 3.00 in | 7.88 in | 6.50 in | 21.50 in | 14.50 in | 3.63 in | 16.50 in | 178.00 lb | Consult |
| 83455 | 120 | 3 in | 5.00 in | 3.25 in | 13.00 in | 3.11 in | 7.88 in | 6.50 in | 21.50 in | 14.36 in | 3.63 in | 15.13 in | 178.00 lb | Consult |
| 151361 | 175 | 4.00 in | 5.50 in | 4.25 in | 14.50 in | 4.00 in | 10.00 in | 9.00 in | 25.69 in | 18.38 in | 4.56 in | 19.75 in | 338.00 lb | Consult |
| 151358 | 250 | 4 in | 8.50 in | 5.00 in | 20.00 in | 4.50 in | 13.00 in | 12.00 in | 35.00 in | 24.50 in | 6.50 in | 22.68 in | 600.00 lb | Consult |
| Oversized Shackles | | | | | | | | | | | | | | |
| 148497 | 40 | 1.75 in | 2.88 in | 2.00 in | 10.00 in | 2.25 in | 6.00 in | 4.32 in | 15.35 in | 10.50 in | 2.25 in | 9.00 in | 45.00 lb | Consult |
| 148393 | 40 | 2.25 in | 2.88 in | 2.00 in | 12.50 in | 2.25 in | 8.00 in | 4.32 in | 17.85 in | 12.50 in | 2.25 in | 10.00 in | 90.00 lb | Consult |
| 148394 | 50 | 2.00 in | 3.25 in | 2.25 in | 12.25 in | 2.50 in | 8.00 in | 5.00 in | 18.50 in | 13.00 in | 2.50 in | 11.00 in | 72.00 lb | Consult |
| Shims | | | | | | | | | | | | | | |
| 146534 | (For use with 50,000 to 70,000 ton systems) | | | | | | | | | | | | | Consult |



OVERHEAD
WEIGHING

MSI-8000

RF Remote Display



Part Number/Price

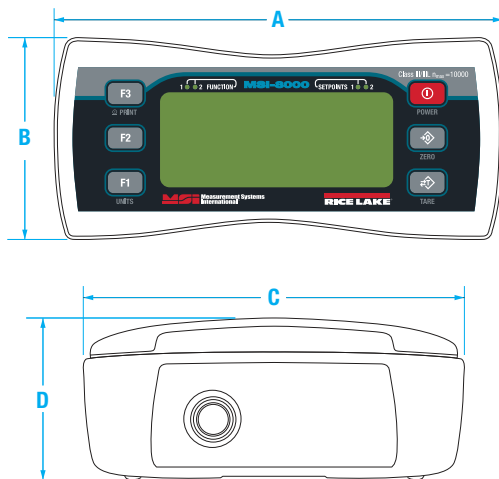
| Part # | Description | Est. Weight | Price |
|--------|----------------------------|-------------|------------|
| 139381 | MSI-8000 RF remote display | 5 lb | \$1,500.00 |

Options/Accessories

| Part # | Description | Est. Weight | Price |
|--------|--|-------------|----------|
| 149549 | Universal 115/230 VAC 50/60 Hz (NA plug standard) battery charger for MSI-8000 RF remote display | 3 lb | \$175.00 |
| 149550 | Universal 115/230 VAC 50/60 Hz (EC plug standard) battery charger for MSI 8000 RF remote display | 1 lb | \$170.00 |
| 150964 | DB9 female serial interface cable for MSI-8000 RF remote display | 1 lb | \$210.00 |
| 151095 | Audible alarm | — | \$330.00 |

Dimensions

| MSI-8000 | | | |
|----------|------------------|---|-----------------|
| A | 8.00 in (203 mm) | C | 3.85 in (98 mm) |
| B | 3.85 in (98 mm) | D | 1.37 in (35 mm) |



Standard Features

- LCD display
- Membrane keypad for remote control functionality
- User-definable function keys for added versatility
- Universal 115/230 VAC, 50/60 Hz battery charger (NA plug standard)
- Compatible with all ScaleCore™ based products including: MSI-7300 Dyna-Link 2, MSI-3460 Challenger 3, MSI-4260 Port-A-Weigh, MSI-7000 and MSI-7001 TranSend™, MSI-9600HT and MSI-6360

(Contact MSI for application consultation)

Specifications

Enclosure:

NEMA Type 4, IP65

Weight:

0.98 lb (445 g)

Keypad:

On/Off, zero (100%), tare, print and two user-defined keys for the following functions: peak hold, high resolution, total, view total, net/gross, units switching

Display:

Six-digit 1.0 in (26.4 mm) LCD screen

Units Displayed:

Pounds, kilograms, tons, metric tons, kilonewtons

Annunciators:

COZ, stable, low battery, peak, net, kg, kN, lb, M, ton, setpoint, function LEDs

Power:

Integral lithium-ion battery
Universal 115/230 VAC, 50/60 Hz battery charger (NA plug included)

Operating Time:

Up to 24 hours of continuous use (15 minute auto-shutoff with non-use)

Temperature:

Operating:
-4 °F to 140 °F (-20 °C to 60 °C)

RF Radio Link:

2.4 GHz 802.15.4
Communicates with RF 3460, 4260, 7300, 7000 & 7001

RF Effective Range:

Typically 100 to 300 ft, line of sight; for longer range consult factory

Connector:

Four-pin Turck connector for charging and RS-232 communication

Warranty:

One-year limited

OVERHEAD
WEIGHING

MSI-8000HD

Indicator/Remote Display



Approvals

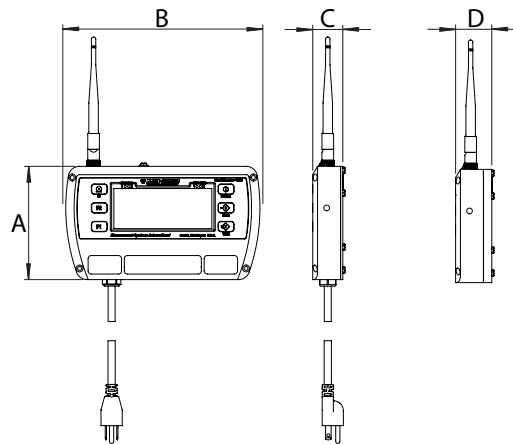


Standard Features

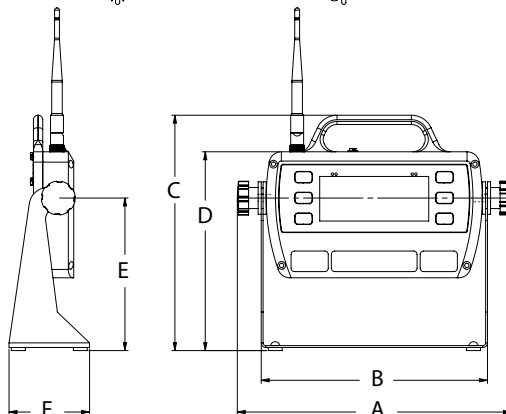
- Compatible with all ScaleCore™ based products
- LCD display
- Time and date
- Membrane keypad for remote-control functionality
- User-definable function keys for added versatility
- Swivel tilt stand

Dimensions

| MSI-8000HD | |
|------------|------------------|
| A | 5.09 in (129 mm) |
| B | 8.98 in (228 mm) |
| C | 1.35 in (34 mm) |
| D | 1.63 in (41 mm) |



| With Tilt Stand | |
|-----------------|-------------------|
| A | 11.06 in (281 mm) |
| B | 9.13 in (232 mm) |
| C | 9.50 in (241 mm) |
| D | 8.02 in (204 mm) |
| E | 6.16 in (156 mm) |
| F | 3.25 in (83 mm) |



Options

(Contact MSI for application consultation)

- 18 to 72 VDC power
- Up to 8 configurable relay outputs
- Wi-Fi communications
- Wi-Fi indicators
- 802.15.4 Serial RF
- FHSS
- Wired Ethernet

Specifications

Power:

90 to 267 VAC, 9 to 36 VDC, 18 to 72 VDC,
120 to 300 VDC
Optional battery power module available

Excitation Voltage:

4.8 V current limited and over-voltage protected

RF Remote Channels:

Up to four remote sensors, monitored individually,
in pairs or sum all (non-A/D version only)

Service Counters:

A/D version only

A/D Inputs:

Two independent or summing load cell inputs

Filtering:

Off, Low, Hi-1, Hi-2

RF Radio Link:

2.4 GHz 802.15.4

Compatible with all ScaleCore™ based
products including:

MSI-7300 Dyna-Link 2,

MSI-3460 Challenger 3,

MSI-4260 Port-A-Weigh, MSI-7000 and MSI-7001

RF Effective Range:

Typically 100 to 300 ft, line of sight;
for longer range consult factory

Communication Ports:

Dual RS-232 communication ports

Annunciators:

stable, CO2, peak, kg, kN, lb, M, ton, setpoint,
function LEDs

Channels: 1, 2, 3, 4, TTL

Display:

Six-digit 1.0 in (26.4 mm) LCD

Units Displayed:

Pounds, kilograms, tons, metric tons, kilonewtons

Keys/Buttons:

On/Off, zero (100%), tare, print, and Two user-
defined keys for the following functions: peak hold,
high resolution, total, view total, net/gross,
units switching

Rating/Material:

Enclosure: NEMA Type 4, IP68 milled anodized
aluminum with O-ring gaskets

Temperature:

Certified: 14 °F to 104 °F (-10 °C to 40 °C)

Operating: -4 °F to 140 °F (-20 °C to 60 °C)

Warranty:

One-year limited

Approvals:

NTEP 15-110

OVERHEAD
WEIGHING

MSI-8000HD

Indicator/Remote Display

Part Number/Price

| Part # | Description | Est. Weight | Price |
|--------|--|---------------|------------|
| 153591 | ScaleCore RF/remote display/85 to 265 VAC | 5 lb (2.5 kg) | \$1,625.00 |
| 154853 | ScaleCore RF/remote display/internal battery | 5 lb (2.5 kg) | \$1,775.00 |
| 160476 | ScaleCore RF/remote display/7 to 36 VDC | 5 lb (2.5 kg) | \$1,575.00 |
| 159376 | ScaleCore RF/remote display/9 to 36 VDC | 5 lb (2.5 kg) | \$1,600.00 |
| 158427 | Indicator/2 A/D inputs/85 to 265 VAC (non RF) | 5 lb (2.5 kg) | \$1,975.00 |
| 158428 | Indicator/2 A/D inputs/internal battery (non RF) | 5 lb (2.5 kg) | \$2,100.00 |
| 160478 | Indicator/2 A/D inputs/7 to 36 VDC (non RF) | 5 lb (2.5 kg) | \$1,775.00 |
| 159380 | Indicator/2 A/D inputs/9 to 36 VDC (non RF) | 5 lb (2.5 kg) | \$1,800.00 |
| 158425 | RF Indicator/2 A/D inputs/85 to 265 VAC | 5 lb (2.5 kg) | \$2,000.00 |
| 158426 | RF Indicator/2 A/D inputs/internal battery | 5 lb (2.5 kg) | \$2,175.00 |
| 160477 | RF Indicator/2 A/D inputs/7 to 36 VDC | 5 lb (2.5 kg) | \$2,000.00 |
| 159378 | RF Indicator/2 A/D inputs/9 to 36 VDC | 5 lb (2.5 kg) | \$2,025.00 |

Options/Accessories

| Part # | Description | Price |
|---------------|--|----------|
| 155173 | MSI-8000HD spare tilt stand option kit | \$94.00 |
| 155193 | MSI-8000HD Ethernet TCP/IP option kit wired | \$450.00 |
| 162178 | Antenna extension kit, 6 ft | \$510.00 |
| 148624 | MSI-8000HD serial RS-232 cable | \$140.00 |
| 158779 | MSI-8000HD two each coil relay option kit, 250 VAC/30 VDC 5 A or 100 VDC 0.4 A | \$390.00 |
| 158780 | MSI-8000HD two each solid state relay option kit, 60 V pk 2.7 A | \$390.00 |
| 158781 | MSI-8000HD two each solid state relay option kit, 200 V pk 0.9 A | \$390.00 |
| 149549 | Universal 115/230 VAC 50/60 Hz (NA plug standard) battery charger for MSI-8000HD battery powered device | \$175.00 |
| 149550 | Universal 115/230 VAC 50/60 Hz (international plugs) battery charger for MSI-8000HD battery powered device | \$170.00 |
| 171203 | Audible alarm kit | \$390.00 |
| 176963 | Serial print cable (for GoDex printer) | \$175.00 |
| Relays | | |
| 172490 | Expanded relay kit, four-channel, 12 A 5 V, latching relays | Consult |
| 172492 | Expanded relay kit, four-channel, 12 A 5 V, momentary relays | Consult |
| Consult | Expanded relay kit, four-channel, 0.9 A 200 V pk, AC/DC solid state relays | Consult |
| 172495 | Expanded relay kit, eight-channel, 12 A 5 V, momentary relays | Consult |
| 172500 | Expanded relays option kit, four-channel, 3 A, 60 V pk solid state Form C relays | Consult |
| 172501 | Expanded relays option kit, eight-channel, 3 A 60 V pk, solid state Form C relays | Consult |
| 172502 | Expanded relays option kit, eight-channel, 0.9 A 200 V pk, solid state Form C relays | Consult |
| 171676 | Expanded relays option kit, eight-channel, 12 A 5 V, latching relays | Consult |

OVERHEAD
WEIGHING

MSI-8004HD

Indicator/RF LED Remote Display



Approvals



Standard Features

- Multicolor LED display
- Backlit membrane keypad for user functioning and controls
- Tilt bracket included
- Color changing display (via setpoints)

Options

(Contact MSI for application consultation)

- Expanded relay outputs
- Battery pack for mobile operation
- Second radio module for additional network connectivity
- Remote display 8 to 32 VDC
- Remote display 5 VDC
- Remote display 9 to 36 VDC
- Indicator 8 to 32 VDC
- Wired ethernet
- Single and dual channel analog output
- Additional antenna kits
- Extended relay option kits

Part Number/Price

| Part # | Description | Price |
|-----------------------|---|------------|
| Indicator | | |
| 221177 | AC Power (85 to 264 VAC), Multi-color display, RF | \$2,025.00 |
| 221183 | AC Power (85 to 264 VAC), Multi-color display, RF, Instant power-on | \$2,000.00 |
| 221179 | DC Power (9 to 36 VDC), Multi-color display, RF | \$1,925.00 |
| 221181 | DC Power (5 VDC), Multi-color display, RF | \$2,225.00 |
| Remote Display | | |
| 221184 | AC Power (85 to 264 VAC), Multi-color display, RF | \$1,650.00 |

Specifications

Power:

90 to 267 VAC, 9 to 36 VDC, 18 to 72 VDC, 120 to 300 VDC

Excitation Voltage:

4.8 V current limited and over-voltage protected

Functions:

Peak hold, high resolution, total, view total net/gross, units switching

Units:

Pounds and kilograms

Channels:

1, 2, 3, 4, TTL

RF Remote Channels:

Up to 4 remote sensors, monitored individually, in pairs or sum all (non-A/D version only) (when used with TranSend™)

Service Counters:

A/D version only

A/D Inputs:

Two independent or summing load cell inputs

Relays:

Two 5 V coil, 250 VAC, 5 A relays

Filtering:

Off, Low, Hi-1, Hi-2

RF Radio Link:

2.4 GHz 802.15.4, optional second channel for Serial RF, 802.11 Wi-Fi

RF Effective Range:

Typically 100 to 300 ft, line of sight; for longer range consult factory

Communication Ports

Two RS-232 hard wired communication ports

Annunciators:

Stable, COZ, BT, RF, TTL, NET, kg, lb

Display:

Six-digit, 1.5 in (38 mm) LED display with red/green/orange coloring

Keys/Buttons:

On/Off, zero, tare, print and two user-defined keys

Temperature:

Certified: 23 °F to 104 °F (-5 °C to 40 °C)
Operating: -40 °F to 140 °F (-40 °C to 60 °C)

Rating/Material:

NEMA Type 4, IP65 milled anodized aluminum

Warranty:

One-year limited

Approvals:

NTEP 17-036
Measurement Canada AM-6068

OVERHEAD
WEIGHING

MSI-8004HD

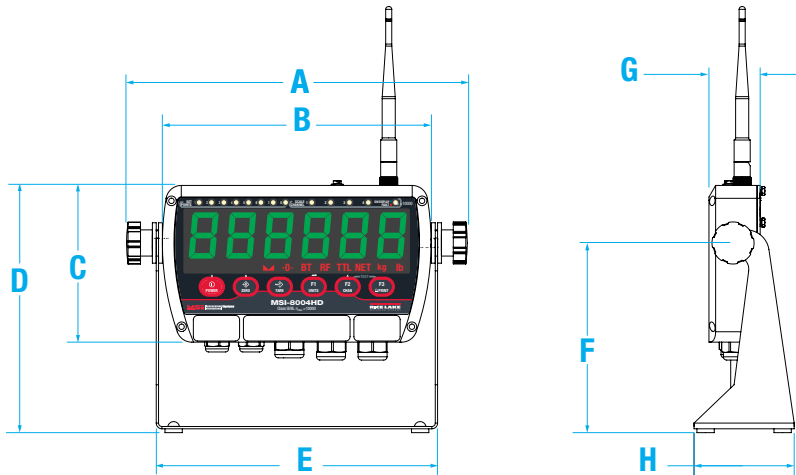
Indicator/RF LED Remote Display

Options/Accessories

| Part # | Description | Price |
|--------|---|----------|
| 162178 | Antenna extension kit, 6 ft | \$510.00 |
| 197013 | Antenna extension kit, 20 ft | \$545.00 |
| 199105 | Audible alarm not compatible with battery versions | Consult |
| 22436 | Cable assembly, DB9F to bare wires, 6 in | \$70.00 |
| 183437 | Battery, 5V Li-ion battery with USB power ports. Output 5 V/3.0 A per port (6.0 A max) Rate, 2 A per port (4 A if both ports are used). | \$245.00 |
| 187425 | 8004 option kit, Wi-Fi with TNC connector | \$200.00 |
| 187424 | 8004 option kit, 2nd Xbee with TNC connector | \$210.00 |
| 223594 | Option Kit, Dual Analog Output, 8004HD | \$575.00 |
| 224817 | Ethernet (forward module only) | \$240.00 |

Dimensions

| MSI-8004HD | | | |
|-----------------|-------------------|---|------------------|
| With Tilt Stand | | | |
| A | 11.10 in (282 mm) | E | 9.13 in (232 mm) |
| B | 8.76 in (223 mm) | F | 6.16 in (156 mm) |
| C | 8.02 in (204 mm) | G | 3.25 in (83 mm) |
| D | 5.09 in (129 mm) | H | 1.66 in (42 mm) |



OVERHEAD
WEIGHING

MSI Scoreboards Wireless RF

Featuring LaserLight2 Remote Displays



Standard Features

- Tilt mounting bracket
- Integrated data repeater
- Six high-intensity red digits (double-row discrete LED)

- Auto Learn mode of communication protocols
- Hold displayed weight (demand input)
- Software selectable standstill mode for no updates while in motion
- Durable weather-tight IP66 enclosure
- Adjustable daylight/night intensity
- Non-glare contrast filtered lens
- Mirror (reverse image) feature
- RS-232, 20 mA and RS-485 communications
- Auto sensing 115/230 VAC power supply
- PEMs for VESA flat-wall mount or side-mounting flange available
- Polyethylene breather vent inhibits internal moisture buildup
- Compatible with: MSI-7300 Dyna-Link 2, MSI-3460 Challenger 3, MSI-4260 Port-A-Weigh, MSI-7000 and MSI-7001 TranSend™, MSI-9600HT, MSI-6360, MSI-8000HD and MSI-8004HD

(Contact MSI for application consultation)

Specifications

Enclosure:

NEMA Type 4, IP66

Display:

Six-digit long-life LED, 4 in or 6 in

Power:

AC/DC power supply 85 to 265 VAC, 47 to 440 Hz/130 to 300 VDC

Radio Link:

Direct sequence spread spectrum at 2.4 GHz

Radio Link Effective Range:

Typically 100 to 300 ft, line of sight; for longer range consult factory

Standard Antenna:

1/2 wave 2 dBi, articulated

Warranty:

One-year limited

Echo Data Output:

RS-232

Part Number/Price

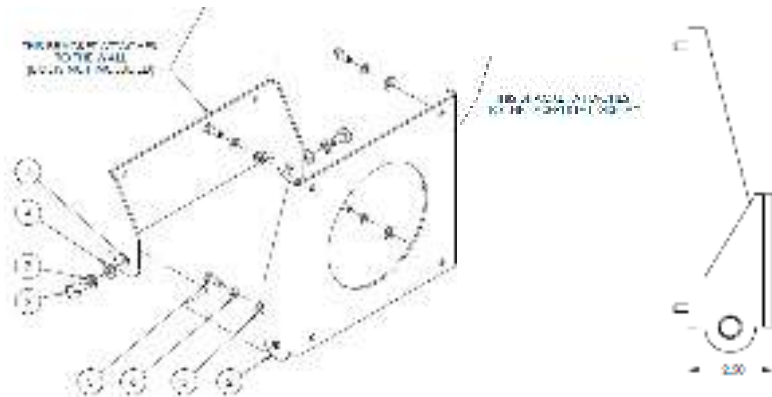
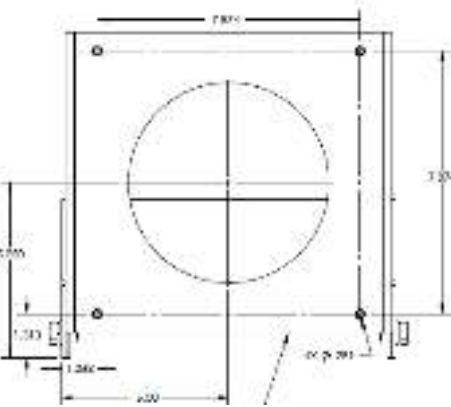
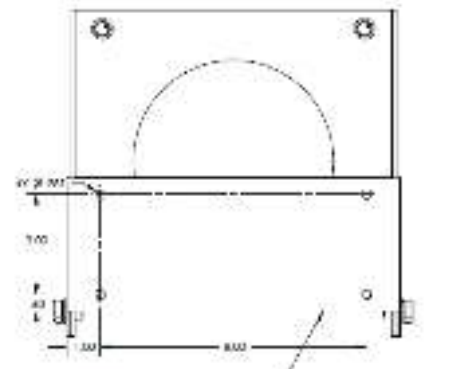
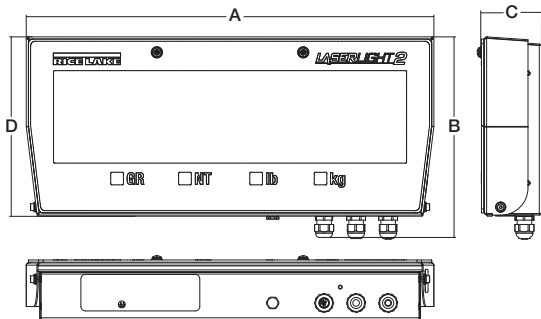
| Part # | Description | Est. Weight | Price |
|--------|--|-------------|------------|
| 178004 | LaserLight2, 4 in with ScaleCore RF and tilt bracket | | \$2,675.00 |
| 178006 | LaserLight2, 6 in with ScaleCore RF and tilt bracket | | \$3,175.00 |
| 178341 | Laserlight2, 4 in with tilt bracket | | \$2,550.00 |
| 178342 | Laserlight2, 6 in with tilt bracket | | \$3,025.00 |

Options/Accessories

| Part # | Description | Est. Weight | Price |
|--------|---------------------------------------|-------------|----------|
| 162178 | Antenna extension kit, 6 ft | | \$510.00 |
| 197013 | Antenna extension kit, 20 ft | | \$545.00 |
| 178318 | Replacement tilt bracket, LaserLight2 | | \$275.00 |

Dimensions

| MSI Scoreboards Wireless RF | | | |
|------------------------------|-------------------|------------------------------|-------------------|
| 22 in enclosure (4 in model) | | 31 in enclosure (6 in model) | |
| A | 22.28 in (565 mm) | C | 3.28 in (85 mm) |
| B | 10.96 in (280 mm) | D | 9.80 in (250 mm) |
| A | 30.63 in (780 mm) | C | 3.73 in (95 mm) |
| B | 13.94 in (355 mm) | D | 12.77 in (325 mm) |



OVERHEAD WEIGHING

TranSend™ MSI-7000

Wireless Load Cell Interface System



Standard Features

- Works with any basic digital weight indicator
- Excitation to load cell(s) provided by the transmitter, not the indicator
- Each transmitter/receiver set is individually paired
- Serial communication cable included with all transmitters
- IP68 milled aluminum enclosure

Options

(Contact MSI for application consultation)

- Multiple antenna selections
- 7 to 36 VDC power (input)

Specifications

Power:

5 to 6 VDC, 85 to 265 VAC

Excitation Voltage:

Transmitter: + 4.8 VDC, 16 × 350 ohm or 32 × 700 ohm load cells

Standard Antenna:

1/2 wave 2 dBi, articulated

Frequency:

Direct sequence spread spectrum at 2.4 GHz, 802.15.4

Effective Range:

Typically 100 to 300 ft, line of sight; for longer range consult factory

Communication Ports:

Full duplex RS-232

Circuit Protection:

RFI, EMI, ESD protection

Temperature:

Operating:
-40 °F to 185 °F (-40 °C to 85 °C)

Rating/Material:

IP68, milled aluminum enclosure

Additional RF Options:

Wi-Fi
802.15.4
FHSS

Warranty:

One-year limited

Part Number/Price

| Part # | Description | Est. Weight | Price |
|----------------------------------|--|-------------|------------|
| Transmitters | | | |
| 5 to 6 VDC Power Input | | | |
| 159207 | Four-channel transmitter, no relays, RF 802.15.4, 2.4 GHz | 2 lb | \$1,125.00 |
| 161949 | Four-channel transmitter, includes three coil relays, RF 802.15.4, 2.4 GHz | 2 lb | \$1,275.00 |
| 176648 | Four-channel transmitter, no relays, Wi-Fi | 2 lb | \$1,175.00 |
| 176652 | Four-channel transmitter, includes three coil relays, Wi-Fi | 2 lb | \$1,350.00 |
| 85 to 265 VAC Power Input | | | |
| 159469 | Four-channel transmitter, no relays, RF 802.15.4, 2.4 GHz | 2 lb | \$1,175.00 |
| 161950 | Four-channel transmitter, includes three coil relays, RF 802.15.4, 2.4 GHz | 2 lb | \$1,375.00 |
| 176647 | Four-channel transmitter, no relays, Wi-Fi | 2 lb | \$1,250.00 |
| 176651 | Four-channel transmitter, includes three coil relays, Wi-Fi | 2 lb | \$1,450.00 |
| Receivers | | | |
| 5 to 6 VDC Power Input | | | |
| 160016 | Four-channel receiver to provide an analog output signal: 4 to 20 mA, 0 to 20 mA, 0 to 5 VDC, 0 to 10 VDC, ± 5 VDC, ± 10 VDC, includes three coil relays, RF 802.15.4, 2.4 GHz | 2 lb | \$1,350.00 |
| 160017 | MSI-7000 four-channel receiver to provide RS232 serial output | 2 lb | \$1,350.00 |
| 85 to 265 VAC Power Input | | | |
| 159477 | Four-channel receiver to provide RS232 serial output | 2 lb | \$1,250.00 |
| 159475 | Four-channel receiver to provide an analog output signal: 4 to 20 mA, 0 to 20 mA, 0 to 5 VDC, 0 to 10 VDC, ± 5 VDC, ± 10 VDC, includes three coil relays, RF 802.15.4, 2.4 GHz | 2 lb | \$1,625.00 |

Options/Accessories

| Part # | Description | Price |
|--------|--|----------|
| 162172 | Charger, TranSend™ for 6 V SLA battery | \$73.00 |
| 162173 | Battery, TranSend 6 V SLA | \$145.00 |
| 162175 | Enclosure, TranSend for 6 V SLA battery | \$365.00 |
| 160109 | AC adapter, TranSend 6 V | \$62.00 |
| 143531 | Power cord, 6 V SLA battery charger EU | \$33.00 |
| 143533 | Power cord, 6 V SLA battery charger, Australia | \$54.00 |
| 143534 | Power cord, 6 V SLA battery charger, UK | \$49.00 |
| 160110 | 265 VAC to 6 VDC wall adapter US/UK/EU/AUS/China | \$62.00 |
| 162178 | Antenna extension kit, 6 ft coax cable | \$510.00 |
| 144345 | 30 m coaxial cable, for use with non-vehicle mount antenna kits | \$480.00 |
| 139313 | Antenna kit, vehicle mount. 5 dBi with 5 m coaxial cable | \$160.00 |
| 150964 | RS-232 13 ft (4 m) serial cable with nine-pin (female) connector | \$210.00 |
| 150965 | RS-232 13 ft (4 m) serial cable with nine-pin (male) connector | \$180.00 |
| 145085 | RS-232 serial cable, unterminated | \$145.00 |

OVERHEAD WEIGHING

TranSend™ MSI-7001

Wireless Load Cell Interface System



Standard Features

- Works with any basic digital weight indicator
- Excitation to load cell(s) provided by the transmitter, not the indicator
- Each transmitter/receiver set is individually paired
- Serial communication cable included with all transmitters
- IP68 milled aluminum enclosure

Options

(Contact MSI for application consultation)

- Multiple antennas

Specifications

Power:

5 to 6 VDC, 7 to 36 VDC, 85 to 265 VAC

Excitation Voltage:

Transmitter: + 4.8 VDC, 16 × 350 ohm or 32 × 700 ohm load cells

Standard Antenna:

1/2 wave 2 dBi, articulated

Frequency:

Direct sequence spread spectrum at 2.4 GHz, 802.15.4

Effective Range:

Typically 100 to 300 ft, line of sight; for longer range consult factory

Communication Ports:

Full duplex RS-232

Circuit Protection:

RFI, EMI, ESD protection

Temperature:

Operating:
-40 °F to 185 °F (-40 °C to 85 °C)

Rating/Material:

IP68, milled aluminum enclosure

Additional RF Options:

Wi-Fi
802.15.4
FHSS

Warranty:

One-year limited

Part Number/Price

| Part # | Description | Est. Weight | Price |
|----------------------------------|--|-------------|------------|
| Transmitters | | | |
| 5 to 6 VDC Power Input | | | |
| 160330 | Single-channel transmitter, no relays, RF 802.15.4, 2.4 GHz | 2 lb | \$1,050.00 |
| 176655 | Single-channel transmitter, no relays, Wi-Fi | 2 lb | \$1,125.00 |
| 7 to 36 VDC Power Input | | | |
| 160329 | Single-channel transmitter, no relays, RF 802.15.4, 2.4 GHz | 2 lb | \$1,125.00 |
| 176656 | Single-channel transmitter, no relays, Wi-Fi | 2 lb | \$1,175.00 |
| 85 to 265 VAC Power Input | | | |
| 160328 | Single-channel transmitter, no relays, RF 802.15.4, 2.4 GHz | 2 lb | \$1,150.00 |
| 176654 | Single-channel transmitter, no relays, Wi-Fi | 2 lb | \$1,225.00 |
| Receivers | | | |
| 5 to 6 VDC Power Input | | | |
| 160337 | Single-channel receiver to provide a mV signal to a digital weight indicator, RF 802.15.4, 2.4 GHz | 2 lb | \$1,125.00 |
| 160334 | Single-channel receiver to provide an analog output signal: 4 to 20 mA, 0 to 20 mA, 0 to 5 VDC, 0 to 10 VDC, ± 5 VDC, ± 10 VDC, RF 802.15.4, 2.4 GHz | 2 lb | \$1,175.00 |
| 161941 | Single-channel receiver to provide RS232 serial output | 2 lb | \$870.00 |
| 7 to 36 VDC Power Input | | | |
| 160336 | Single-channel receiver to provide a mV signal to a digital weight indicator, RF 802.15.4, 2.4 GHz | 2 lb | \$1,225.00 |
| 161939 | Single-channel receiver to provide RS232 serial output | 2 lb | \$990.00 |
| 160333 | Single-channel receiver to provide an analog output signal: 4 to 20 mA, 0 to 20 mA, 0 to 5 VDC, 0 to 10 VDC, ± 5 VDC, ± 10 VDC, RF 802.15.4, 2.4 GHz | 2 lb | \$1,350.00 |
| 85 to 265 VAC Power Input | | | |
| 160335 | Single-channel receiver to provide a mV signal to a digital weight indicator, RF 802.15.4, 2.4 GHz | 2 lb | \$1,275.00 |
| 161938 | Receiver to provide RS232 serial output | 2 lb | \$1,075.00 |
| 160332 | 7001AN AC power | - | \$1,400.00 |

OVERHEAD
WEIGHING

TranSend™ MSI-7001

Wireless Load Cell Interface System

Options/Accessories

| Part # | Description | Price |
|---------|---|----------|
| 162177 | Cordset, TranSend, pre-wired for use with single channel transmitters or non-relay based receivers | \$145.00 |
| 164865 | Cable, 4 m, one-channel, mV/V output, LC input | \$145.00 |
| 165648 | Cable, 5 m, one-channel, mV/V output, LC input | \$175.00 |
| 165651 | Cable, 10 m, one-channel, mV/V output, LC input | \$240.00 |
| 162184 | Load cell connector, TranSend, field wireable, 4 to 6 mm straight. For use with single channel transmitters and all receivers. | \$65.00 |
| 162185 | Load cell connector, TranSend, field wireable, 6 to 8 mm straight. For use with single channel transmitters and all receivers. | \$65.00 |
| 162186 | Load cell connector, TranSend, field wireable, 4 to 6 mm right angle. For use with single channel transmitters and all receivers. | \$65.00 |
| 162187 | Load cell connector, TranSend, field wireable, 6 to 8 mm right angle. For use with single channel transmitters and all receivers. | \$65.00 |
| 145084 | Cable, 2 m, one-channel, analog output | \$64.00 |
| 144400 | Cable, 5 m, one-channel, analog output | \$100.00 |
| 168903 | Cable, 10 m, one-channel, analog output | \$160.00 |
| Consult | Straight connector, analog output, field wire able, 4-6 mm OD | Consult |
| Consult | Straight connector, analog output, field wire able, 6-8 mm OD | Consult |
| Consult | Right angle connector, analog output, field wire able, 4-6 mm OD | Consult |
| Consult | Right angle connector, analog output, field wire able, 6-8 mm OD | Consult |
| 162172 | Charger, TranSend™ for 6 V SLA battery | \$73.00 |
| 162173 | Battery, TranSend 6 V SLA | \$145.00 |
| 162175 | Enclosure, TranSend for 6 V SLA battery | \$365.00 |
| 160109 | AC adapter, TranSend 6 V | \$62.00 |
| 143531 | Power cord, 6 V SLA battery charger EU | \$33.00 |
| 143533 | Power cord, 6 V SLA battery charger, Australia | \$54.00 |
| 143534 | Power cord, 6 V SLA battery charger, UK | \$49.00 |
| 160110 | 265 VAC to 6 VDC wall adapter US/UK/EU/AUS/China | \$62.00 |
| 162178 | Antenna extension kit, 6 ft coax cable | \$510.00 |
| 144345 | 30 m coaxial cable, for use with non-vehicle mount antenna kits | \$480.00 |
| 139313 | Antenna kit, vehicle mount. 5 dbi with 5 m coaxial cable | \$160.00 |
| 150964 | RS-232 13 ft (4 m) serial cable with nine-pin (female) connector | \$210.00 |
| 150965 | RS-232 13 ft (4 m) serial cable with nine-pin (male) connector | \$180.00 |
| 145085 | RS-232 serial cable, unterminated | \$145.00 |

OVERHEAD
WEIGHING

TranSend™ MSI-7000HD

Wireless Load Cell Interface System



Standard Features

- Works with any basic digital weight indicator
- Excitation to load cell(s) provided by the transmitter, not the indicator
- Each transmitter/receiver set is individually paired
- Serial communication cable included with all transmitters
- IP68 milled aluminum enclosure

Options

(Contact MSI for application consultation)

- Multiple antennas

Specifications

Power:

7 to 36 VDC, 9 to 36 VDC, 85 to 265 VAC

Excitation Voltage:

Transmitter: +4.8 VDC, 16 × 350 ohm or 32 × 700 ohm load cells

Standard Antenna:

1/2 wave 2dBi, articulated

Frequency:

Direct sequence spread spectrum at 2.4 GHz, 802.15.4

Effective Range:

Typically 100 to 300 ft, line of sight; for longer range consult factory

Communication Ports:

Full duplex RS-232

Circuit Protection:

RFI, EMI, ESD protection

Temperature:

Operating:
-40 °F to 185 °F (-40 °C to 85 °C)

Rating/Material:

IP68, milled aluminum enclosure

Additional RF Options:

Wi-Fi
802.15.4
FHSS

Warranty:

One-year limited

Part Number/Price

| Part # | Description | Est. Weight | Price |
|----------------------------------|--|-------------|------------|
| Transmitters | | | |
| 7 to 36 VDC Power Input | | | |
| 177944 | Four-channel 7 to 36 VDC, three coil relays, 802.15.4 | | \$2,350.00 |
| 177997 | Four-channel 7 to 36 VDC, three coil relays, Wi-Fi | | \$2,350.00 |
| 9 to 36 VDC Power Input | | | |
| 177945 | Four-channel 9 to 36 VDC isolated, three coil relays, 802.15.4 | | \$2,450.00 |
| 177998 | Four-channel 9 to 36 VDC isolated, three coil relays, Wi-Fi | | \$2,475.00 |
| 85 to 265 VAC Power Input | | | |
| 177942 | Four-channel 85 to 265 VAC, three coil relays, 802.15.4 | | \$2,400.00 |
| 177995 | Four-channel 85 to 265 VAC, three coil relays, Wi-Fi | | \$2,425.00 |

Options/Accessories

| Part # | Description | Price |
|--------|---|------------|
| 187424 | Dual XBee option kit for 7000HD with TNC antenna | \$210.00 |
| 162178 | Antenna extension kit, 6 ft coax cable | \$510.00 |
| 144345 | 30 m coaxial cable, for use with non-vehicle mount antenna kits | \$480.00 |
| 139313 | Antenna kit, vehicle mount. 5 dbi with 5 m coaxial cable | \$160.00 |
| 148624 | RS-232/RS-485 serial cable | \$140.00 |
| 143348 | Cordset IP68 5-pin male | \$135.00 |
| 141263 | 12 V battery half plate, requires separate power cable | \$1,550.00 |

OVERHEAD
WEIGHING

TranSend™ MSI-7001HD

Wireless Load Cell Interface System



Part Number/Price

| Part # | Description | Est. Weight | Price |
|-----------------------------|--|-------------|------------|
| Transmitters | | | |
| 5 to 6 VDC | | | |
| 178010 | Two-channel 5 to 6 VDC, 802.15.4 | | \$1,325.00 |
| 178018 | Two-channel 5 to 6 VDC, Wi-Fi | | \$1,425.00 |
| 7 to 36 VDC | | | |
| 178011 | Two-channel 7 to 36 VDC, 802.15.4 | | \$1,400.00 |
| 178019 | Two-channel 7 to 36 VDC, Wi-Fi | | \$1,425.00 |
| 9 to 36 VAC Isolated | | | |
| 178012 | Two-channel 9 to 36 VDC isolated, 802.15.4 | | \$1,425.00 |
| 178020 | Two-channel 9 to 36 VDC isolated, Wi-Fi | | \$1,500.00 |
| 85 to 265 VAC | | | |
| 178021 | Two-channel 85 to 265 VAC, 802.15.4 | | \$1,450.00 |
| 178017 | Two-channel 85 to 265 VAC, Wi-Fi | | \$1,475.00 |

Options/Accessories

| Part # | Description | Price |
|--------|---|----------|
| 162172 | Charger, TranSend™ for 6 V SLA battery | \$73.00 |
| 162173 | Battery, TranSend 6 V SLA | \$145.00 |
| 162175 | Enclosure, TranSend for 6 V SLA battery | \$365.00 |
| 160109 | AC adapter, TranSend 6 V | \$62.00 |
| 143531 | Power cord, 6 V SLA battery charger EU | \$33.00 |
| 143533 | Power cord, 6 V SLA battery charger, Australia | \$54.00 |
| 143534 | Power cord, 6 V SLA battery charger, UK | \$49.00 |
| 160110 | 265 VAC to 6 VDC wall adapter US/UK/EU/AUS/China | \$62.00 |
| 162178 | Antenna extension kit, 6 ft coax cable | \$510.00 |
| 144345 | 30 m coaxial cable, for use with non-vehicle mount antenna kits | \$480.00 |
| 139313 | Antenna kit, vehicle mount. 5 dbi with 5 m coaxial cable | \$160.00 |
| 148624 | RS-232/RS-485 serial cable | \$140.00 |
| 143348 | Cordset IP68, 5-pin | \$135.00 |

Standard Features

- Works with any basic digital weight indicator
- Excitation to load cell(s) provided by the transmitter, not the indicator
- Each transmitter/receiver set is individually paired
- Serial communication cable included with all transmitters
- IP68 milled aluminum enclosure

(Contact MSI for application consultation)

Specifications

Power:

5 to 6 VDC, 7 to 36 VDC, 9 to 36 VDC, 85 to 265 VAC

Excitation Voltage:

Transmitter: +4.8 VDC, 16 × 350 ohm or 32 × 700 ohm load cells

Standard Antenna:

1/2 wave 2dBi, articulated

Frequency:

Direct sequence spread spectrum at 2.4 GHz, 802.15.4

Effective Range:

Typically 100 to 300 ft, line of sight; for longer range consult factory

Communication Ports:

Full duplex RS-232

Circuit Protection:

RFI, EMI, ESD protection

Temperature:

Operating: -40 °F to 185 °F (-40 °C to 85 °C)

Rating/Material:

IP68, milled aluminum enclosure

Additional RF Options:

Wi-Fi
802.15.4
FHSS

Warranty:

One-year limited

OVERHEAD
WEIGHING

ScaleCore Webserver

Wireless Network Router/Webserver



Approvals



Part Number/Price

| Part # | Description | Price |
|--------|--|------------|
| 207943 | ScaleCore Webserver, 5 VDC and PoE | \$4,025.00 |
| 209704 | ScaleCore Webserver, 7 to 14 VDC and PoE | \$4,025.00 |
| 210817 | ScaleCore Webserver, 85 to 265 VAC and PoE wall cube | \$4,025.00 |

Options/Accessories

| Part # | Description | Price |
|---------|--|------------|
| Consult | Extended-range antennas | Consult |
| 213559 | MSI-8000 handheld remote display with Wi-Fi, (only to be used with MSI ScaleCore Webserver systems and applications) | \$1,650.00 |

Standard Features

- Display and control multiple ScaleCore based scales, indicators, remote displays and receivers through network connected devices using a web browser, including cell phones, tablets, and PCs.
- Capable of functioning either with an existing Wi-Fi network or as its own Wi-Fi router
- Can be powered by a dedicated power input or directly through the Ethernet cable where PoE (Power over Ethernet) is supported
- RS-232 communications at up to 460 Kbps
- Scale / load cell summing
- Tiered login to limit scale functionality for different levels of users

(Contact MSI for application consultation)

Specifications

Power:

5 to 6 VDC, 7 to 14 VDC, 85 to 265 VAC, PoE

Effective Range:

Typically 100 to 300 ft, line of sight; for longer range consult factory

Minimum System Requirements:

Will display on any device with a web browser supporting HTML 5
Connected ScaleCore based MSI scales and indicators are required to have the optional Wi-Fi radio modul

Connectivity:

Wi-Fi 2.4 GHz IEEE 802.11g
Gigabit Ethernet
2 × USB 2.0 Interface
RS-232 Serial

Status Annunciators:

Units (lb, kg, short tons (tn), metric tons (t), (NONE) gross/net, motion, center of zero

Enclosure:

IP65, aluminum black powder coated (excludes 85 to 265 VAC model)

Temperature:

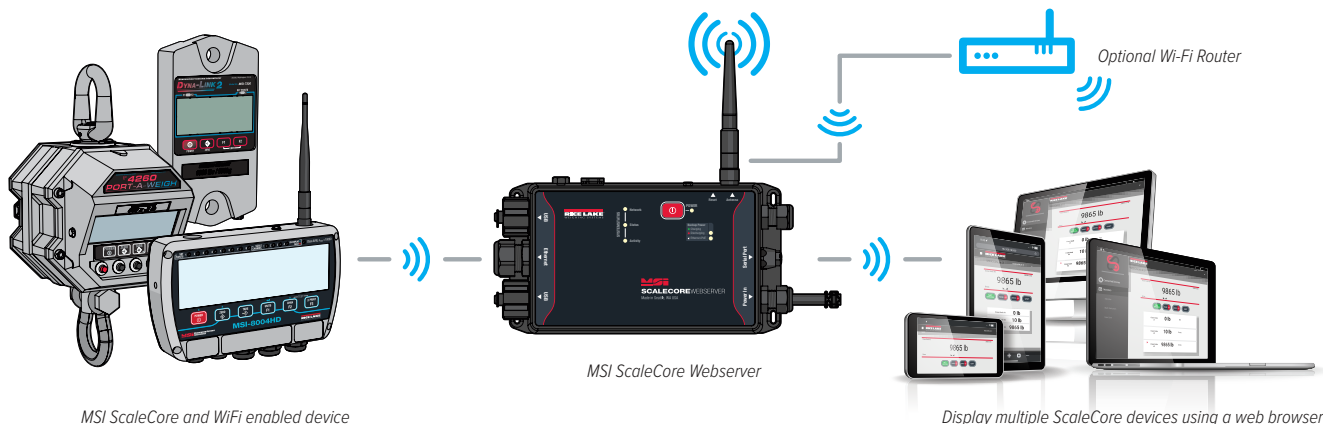
Operating:
-10 °C to 40 °C (14 °F to 104 °F)

Warranty:

One year limited

Approvals:

NTEP 21-098 Classes III and IIIL at 10,000d



MSI ScaleCore and WiFi enabled device

MSI ScaleCore Webserver

Display multiple ScaleCore devices using a web browser

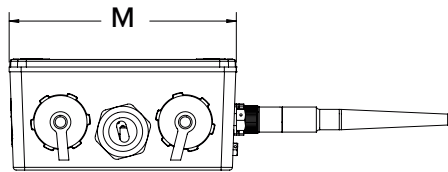
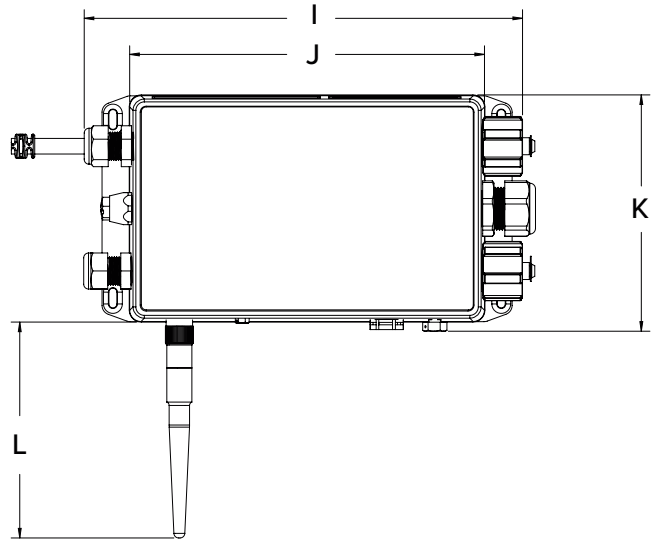
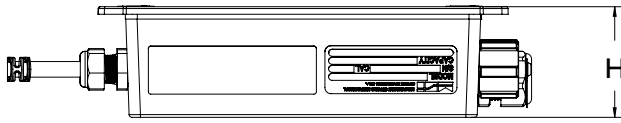
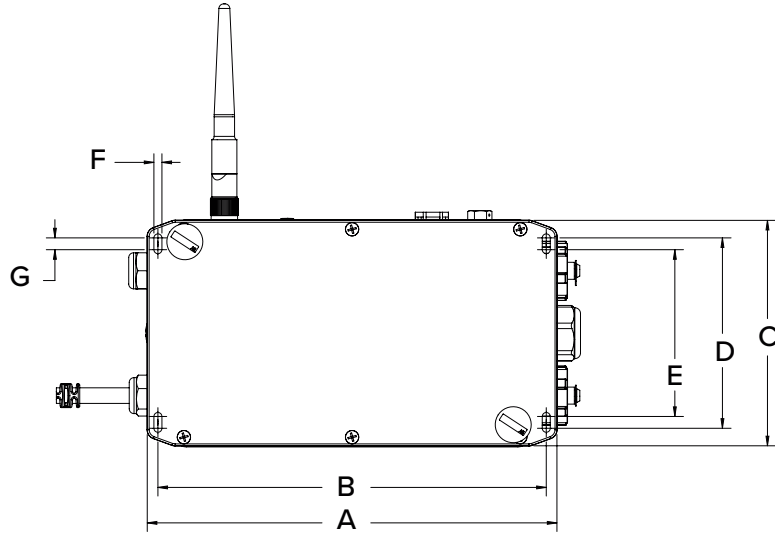
OVERHEAD
WEIGHING

ScaleCore Webserver

Wireless Network Router/Webserver

Dimensions

| ScaleCore Webserver | | | |
|---------------------|------------------|---|------------------|
| A | 8.54 in (217 mm) | H | 2.23 in (57 mm) |
| B | 8.09 in (205 mm) | I | 9.13 in (232 mm) |
| C | 4.70 in (119 mm) | J | 7.40 in (188 mm) |
| D | 3.97 in (101 mm) | K | 4.90 in (124 mm) |
| E | 3.47 in (88 mm) | L | 4.50 in (114 mm) |
| F | 0.17 in (4 mm) | M | 4.70 in (119 mm) |
| G | 0.25 in (6 mm) | | |



OVERHEAD WEIGHING



Computer Screenshot



Tablet Screenshot



Phone Screenshot

Rugged Remote



Approvals



Part Number/Price

| Part # | Description | Price |
|--------|--|----------|
| 173014 | MSI Rugged Remote control, non-CE | \$355.00 |
| 211841 | MSI Rugged Remote control, CE approved | \$355.00 |

Standard Features

- Handheld
- Compatible with: MSI-7300, Dyna-Link 2, MSI-7000 Series, and all MSI Crane Scales
- Four button interface: Power, zero, tare, function

Specifications

Power:

Battery operated, three (3) AAA alkaline batteries

Function:

Power: turns unit on/off

Zero: zeros applied load up to 100% of capacity (limited range in NTEP/OIML configurations)

Tare: tares applied load and displays weight in net mode

User: programmable as test, units, net/gross, total, peak hold and setpoints

Radio Effective Range:

Typically 100 to 300 ft line of sight

Warranty:

One-year limited

Approval:

CE

Wi-Fi Information Request



Product: _____ Electronics Serial Number: _____

In order to customize a Wi-Fi module, the following information is required.

NETWORK TOPOLOGY

- Server (Soft AP) - User's laptop or tablet is connecting directly to the scale. Only one module may be connected at a time in this mode.
- Client - The scale connects to an existing router. This allows a laptop or tablet to connect to multiple scales at once.

SERVER MODE

SSID: _____
The name for the network that the laptop/tablet is connecting to.

Security Mode:

- Open - Allow anyone to connect to the scale
- WPA2 - Require a password to connect to the scale
Password: _____
Only necessary if security mode is set to WPA2.

DHCP:

- On - Assign a dynamic IP to the scale. The laptop/tablet connecting to the scale may have a dynamic IP (**RECOMMENDED**)
- Off - Assign a static IP to the scale. The laptop/tablet connecting to the scale must also have a static IP
IP Address-Static IP of the scale: _____
Net Mask/Gateway to assign to the scale: _____
Port used to connect to the scale (default 2000): _____

CLIENT MODE

SSID: _____
The SSID of the router the scale will connect to.

Security Mode of the router:

- Open
- WPA2 - Password: _____
This is the password used to connect to the router.

DHCP:

- On - Allow the router to assign a dynamic IP to the scale (**RECOMMENDED**)
- Off - Assign a static IP to the scale. This IP must be added to the static IP list in the router
IP Address-Static IP of the scale: _____
Net Mask/Gateway to assign to the scale: _____
Port used to connect to the scale (default 2000): _____

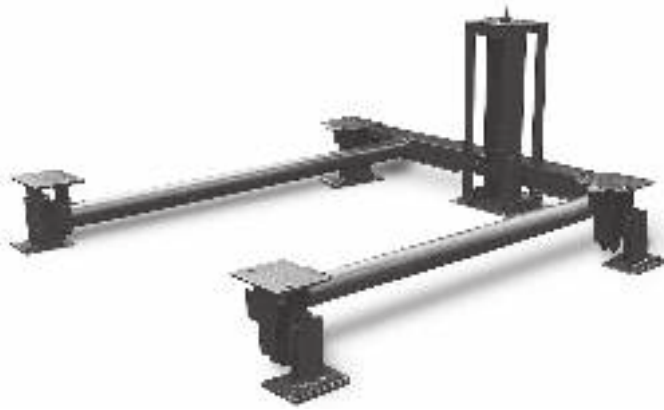
Pipe Lever Scales

TABLE OF CONTENTS

Pipe Lever Scale..... 842
Pipe Lever Scale Questionnaire 843

Product names, logos, brands and other trademarks featured or referred to within this publication are the property of their respective trademark holders.

Pipe Lever Scale



Approvals



Measurement
Canada
Approved



Part Number/Price

| Part # | Dimensions | Est. Weight | Price |
|----------------------------------|--------------------|-------------|-------------|
| 25,000 lb | | | |
| 29587 | 62 5/8 × 62 5/8 in | 532 lb | \$4,700.00 |
| 29586 | 60 1/2 × 66 in | 528 lb | \$4,700.00 |
| 29588 | 66 1/2 × 91 in | 640 lb | \$4,700.00 |
| 29589 | 64 × 64 in | 538 lb | \$4,700.00 |
| 35008 | 62 × 92 in | 561 lb | \$4,700.00 |
| 35009 | 62 × 105 in | 720 lb | \$4,700.00 |
| 40409 | 72 × 72 in | 618 lb | \$4,700.00 |
| 83433 | 64 3/4 × 64 3/4 in | 567 lb | \$4,700.00 |
| 25,000 lb Stainless Steel | | | |
| 46264 | 62 5/8 × 62 5/8 in | 405 lb | \$10,400.00 |
| 46265 | 60 1/2 × 66 in | 550 lb | \$10,400.00 |
| 46266 | 66 1/2 × 91 in | 610 lb | \$10,400.00 |
| 50172 | 64 × 64 in | 550 lb | \$10,400.00 |
| 50173 | 62 × 92 in | 680 lb | \$10,400.00 |
| 50174 | 62 × 105 in | 720 lb | \$10,400.00 |
| 40,000 lb | | | |
| 39152 | 5 × 5 ft | 1,885 lb | \$11,800.00 |
| 39153 | 6 × 6 ft | 1,975 lb | \$11,800.00 |
| 39154 | 7 × 7 ft | 2,220 lb | \$11,800.00 |
| 39155 | 8 × 8 ft | 2,310 lb | \$11,800.00 |
| 39156 | 9 × 9 ft | 2,545 lb | \$11,800.00 |
| 39157 | 10 × 10 ft | 2,635 lb | \$11,800.00 |
| 50,000 lb | | | |
| 39158 | 5 × 5 ft | 2,010 lb | \$12,100.00 |
| 39159 | 6 × 6 ft | 2,120 lb | \$12,100.00 |
| 39160 | 7 × 7 ft | 2,385 lb | \$12,100.00 |
| 39161 | 8 × 8 ft | 2,495 lb | \$12,100.00 |
| 39162 | 9 × 9 ft | 2,750 lb | \$12,100.00 |
| 39163 | 10 × 10 ft | 2,860 lb | \$12,100.00 |

Standard Features

- NTEP Certified and Measurement Canada Approved models available
- RL20000 alloy steel load cell standard (prices include load cell and ITCM load cell assembly)
- Mild steel construction, black paint finish
- Stainless steel, hermetically sealed load cells available
- Custom sizes and capacities available from 5,000 to 60,000 lb

Specifications

End Load Capacity:

100% full scale

mV/V Output:

1.50 to 1.87 mV/V nominal

Cable Length:

20 ft (6.1 m)

Warranty:

One-year limited

Approvals:

NTEP CC 94-126

Class III/IIII

Measurement Canada Approved, AM-5114,
Legal For Trade on sizes greater than 1.6 m,
or a capacity greater than 10,000 kg



Custom sizes fit your tank/hopper system for fewer modifications and less installation time.

Pipe Lever Scale Questionnaire



Company _____

Name _____ Date _____

Phone _____ Fax _____ Email _____

| | 5K/10K Total Load* | | 25K Total Load* | | 30K Total Load* | | 40K/60K Total Load* | |
|---|--------------------|----------|-----------------|----------|-----------------|----------|---------------------|----------|
| | Standard | Minimum | Standard | Minimum | Standard | Minimum | Standard | Minimum |
| A | – | 48.00 in | – | 48.00 in | – | 60.00 in | – | 60.00 in |
| B | – | 48.00 in | – | 48.00 in | – | 60.00 in | – | 60.00 in |
| C | 12.25 in | 4.50 in | 15.50 in | 7.00 in | 15.62 in | 7.00 in | 18.00 in | 7.00 in |
| D | 6.00 in | 6.00 in | 9.50 in | 8.75 in | 9.50 in | 8.75 in | 13.00 in | 12.00 in |
| E | 6.00 in | 6.00 in | 9.50 in | 8.75 in | 9.50 in | 8.75 in | 13.00 in | 12.00 in |
| F | 8.62 in | 8.62 in | 13.56 in | 13.56 in | 13.81 in | 13.81 in | 18.18 in | 18.18 in |
| G | 4.50 in | 3.50 in | 6.50 in | 4.75 in | 6.50 in | 4.75 in | 9.25 in | 6.50 in |
| H | 4.50 in | 3.50 in | 6.50 in | 4.75 in | 6.50 in | 4.75 in | 9.25 in | 6.50 in |
| J | 24.00 in | 24.00 in | 32.25 in | 32.25 in | 32.25 in | 32.25 in | 37.25 in | 37.25 in |

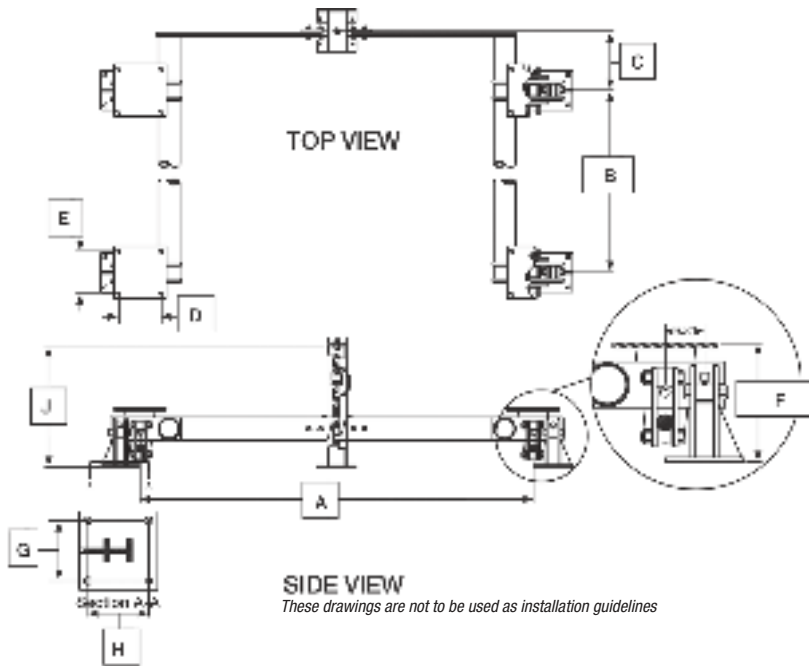
A x B must be equal to or less than 64 square feet. If, over consult factory.

* Live and dead load

A x B must be equal to or less than 100 square feet. If, over consult factory.

A x B must be equal to or less than 100 square feet. If, over consult factory.

A x B must be equal to or less than 100 square feet. If, over consult factory.



| | |
|-----|--|
| A | |
| B | |
| C | |
| D+ | |
| E+ | |
| F | |
| G** | |
| H** | |
| J | |

** Stand hole dimensions +Chair hole dimensions.

Capacity: 5K 10K 25K 30K 40K 50K 60K

Material: Stainless Steel Mild Steel

NTEP Required: Yes No

Finish: _____

Load Cell: Mild Steel Stainless Steel Hermetically Sealed
 Model _____ Model _____

Form #0652 New 08/2021

Power Conditioning

TABLE OF CONTENTS

| | |
|--|------------|
| Selecting the Best Power Conditioning Devices/ Equipment for Your Application | 846 |
| Transient Protection AC, DC, Series and Parallel | 848 |
| TP232 RS-232 | 849 |
| <i>Serial Surge Protector</i> | |
| Tripp-Lite DNET1 | 850 |
| <i>Ethernet Surge Suppressor</i> | |
| LCP-1 DC | 850 |
| <i>Transient Protector</i> | |
| UJB3T6 DC | 851 |
| <i>Transient Protector</i> | |
| TP75 DC | 852 |
| <i>Transient Protector</i> | |
| ISOBLOK® | 853 |
| <i>AC Transient Protector</i> | |
| ISOBAR® | 854 |
| <i>AC Transient Protector</i> | |
| EL226 | 855 |
| <i>AC Transient Protector</i> | |
| EL225-4 | 856 |
| <i>AC Transient Protector</i> | |
| Sola MCR Series | 856 |
| <i>AC Power Regulators</i> | |
| Tripp-Lite PV Series | 857 |
| <i>Power Converter</i> | |
| Tripp-Lite LC1200 | 857 |
| <i>Power Regulator</i> | |
| Sola S1K/S3K | 858 |
| <i>Uninterruptible Power Supply (UPS)</i> | |
| Eaton 3S/5S | 858 |
| <i>Uninterruptible Power Supply (UPS)</i> | |

Product names, logos, brands and other trademarks featured or referred to within this publication are the property of their respective trademark holders.

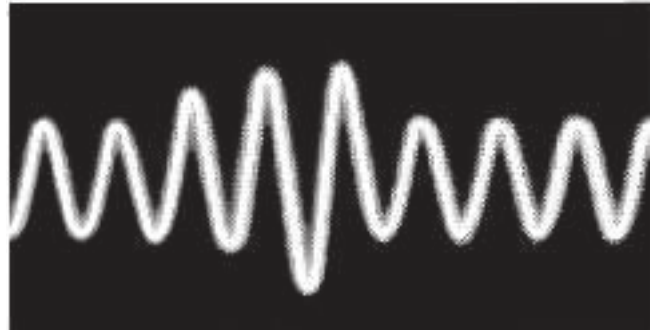
Selecting the Best Power Conditioning Devices/ Equipment for Your Application

Digital weighing indicators utilize an incredibly small signal in their operation. These signals are easily disturbed by any number of voltage distortions. Additionally, many weighing systems are now designed with a complex array of peripheral equipment, including printers and computers. To maintain proper operation and provide maximum protection, Rice Lake Weighing Systems offers a wide variety of power conditioning products as your first line of defense in the battle to improve power problems.

The following is a list of power problems you are likely to experience, with a reference to the equipment we recommend to solve each problem. A quick reference power conditioning equipment chart is also included for your convenience.

Voltage Surge

A voltage surge is a temporary rise in voltage level lasting at least one AC cycle (1/60 second). They are typically caused by switching off high-power electric motors (electric welders, compressors, machine tools, conveyors, material handling equipment and power tools), momentarily boosting the line voltage. Regulation of the line to an acceptable voltage level is required to prevent the damage caused by voltage surges. The SOLA MCR series of voltage regulators (MCR070, MCR150 and MCR250) are designed to keep the voltage level within acceptable and harmless limits.



Voltage Dip

A voltage dip is the opposite of a voltage surge, lasting at least one AC cycle (1/60 second). They are typically caused by a sudden nearby increase in an electrical load, such as turning on high-power electrical motors (electric welders, compressors, machine tools, conveyors, material handling equipment and power tools). During this time, every other piece of operating equipment is forced to operate with the reduced available voltage. Regulation of the line voltage is required to remedy this situation. The SOLA MCR series of voltage regulators (MCR070, MCR150 and MCR250) solve your problem by temporarily boosting the line voltage to within acceptable limits until the voltage dip condition has corrected itself.



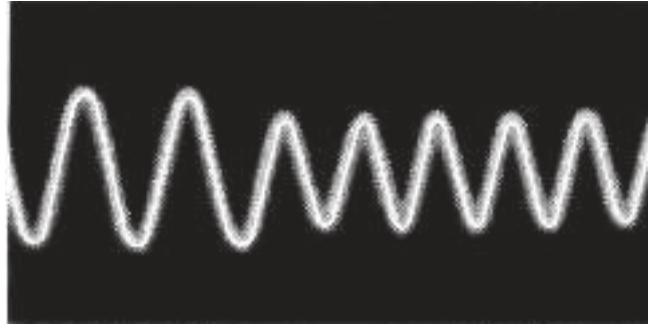
Voltage Spikes

A voltage spike is a large, damaging voltage pulse caused when lightning strikes a powerline, communications line, signal or sensing line, or even the nearby ground. Voltage spikes last only a few milliseconds, but can reach a potential of 1,000 volts. High-quality protection is the only practical answer. For RS-232, RS-485, RS-422 and 20mA communication lines, use the TP232. The UJB3T6, LCP-1 and TP-75 are practical solutions for load cell protection. For line-powered equipment, the Tripp-Lite ISOBLOK® and ISOBAR® or Rice Lake's EL225 or EL226 are the most effective protection against voltage spikes.



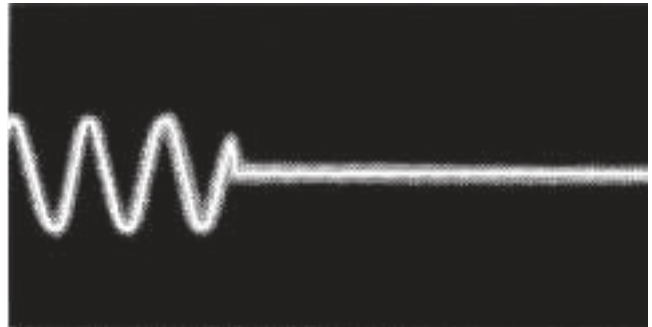
Brownouts

Brownouts are prolonged voltage dips of as much as 15 percent, lasting from several hours to several days. This condition is initiated by local power companies during hours of unusually high demands. Brownouts create many forms of abnormal behavior. The only way to safeguard the operation of critical equipment is to bring the powerline voltage back up to normal specifications. The SOLA MCR series of line voltage regulators (MCR070, MCR150 and MCR250), the Sola SK Series or Eaton uninterruptible power systems can eliminate the problems associated with brownout conditions.



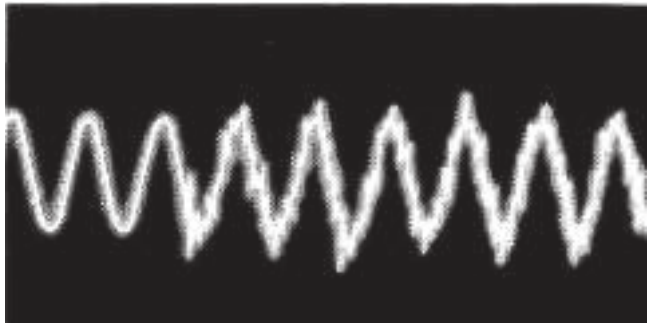
Blackouts

The ultimate power problem! The only way to keep critical electrical equipment running during a blackout is to provide a new supply of power either from batteries or generators. The Sola SK Series or Eaton uninterruptible power system are our answer for battery-supplied electrical power.



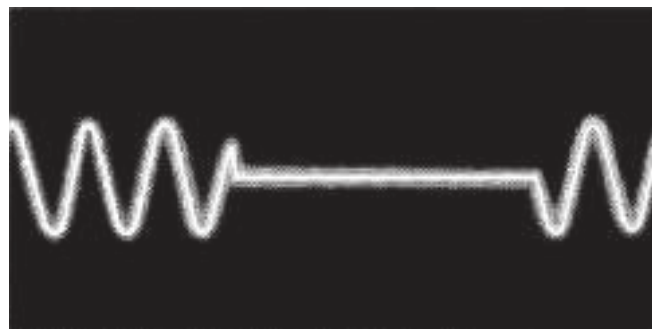
Electrical Noise

Noise is a disturbance of electrical power caused by distant lightning, radio transmitters, welding equipment, electrical switching equipment and poor brush contact on motors and other electronic devices utilizing switching power supplies. One solution is to prevent noise from entering equipment by filtering the powerline input. The Tripp-Lite ISOBLOK and ISOBAR, or Rice Lake's EL225 or EL226 will effectively filter most electrical noise problems. In severe cases, the use of uninterruptible power systems such as Eaton and Sola SK Series are recommended.



Dropouts

A dropout is a temporary loss of electrical power normally caused by utility and maintenance switching functions where break-before-make switching strategies are used. This simply means the old source of power is disconnected momentarily prior to the connection of the new power source. Your local utility company may be the most common source of this type of disturbance, causing many problems—notably computer lockups, software errors, equipment resets and diagnostic self-tests. The SOLA MCR series of regulators (MCR070, MCR150 and MCR250) are available to deal with short-term dropouts (less than three milliseconds). For longer-lasting protection, Eaton and Sola SK Series uninterruptible power systems are recommended.



Transient Protection AC, DC, Series and Parallel

AC Protection

AC protection is designed to filter voltage spikes and electrical noise from AC wall receptacles providing power to sensitive microprocessor-based equipment such as computers, printers and indicators. Clamping voltages typically are set to 140 volts AC rms and peak current handling capacities are near 6,000 amps.

DC Protection

DC protection is designed to filter voltage spikes and electrical noise from load cell cables, and both RS-232 and 20 milliamp serial communication lines protecting indicators, communications interfaces and computers.

Parallel Protection

Parallel protection is provided by “diverting” or “bypassing” elements that attempt to quickly change the direction of the voltage spike, typically toward earth ground. Examples of “diverting” type elements are gas tubes, MOVs and Transzorbs™. In a parallel-type transient protector, the equipment to be protected is not removed from the line in the event of a protector damaging voltage spike, leaving the possibility of a second catastrophic voltage spike to enter the unprotected equipment.

Series Protection

Series protection is provided by “blocking” type elements that buffer the equipment to be protected from the line voltage available at the wall receptacle. Examples of “blocking” type protective elements that are used in series-type transient protectors are fuses, circuit breakers, common mode coils and inductors. In addition, series-type protectors will utilize “diverting” elements used in parallel protectors. In the series type of transient protector, the equipment to be protected is generally removed from the line source in the event of a damaging transient or surge.

Rice Lake Weighing Systems endorses only series type AC and DC transient protectors. The additional performance and protection they provide are substantial compared to parallel type counterparts.

A Message About Grounds...

A good ground is essential for any successful transient protection scheme. However, simply driving a copper ground rod is not enough. The conductivity of the soil can vary seasonally, particularly if the local water table rises and falls with the season. An adequate ground in spring, when the water table is high, may not be adequate in late summer when the water table is low (and thunderstorms are common). Check the resistivity of your ground regularly throughout the year. If problems appear, check with your local utility about alternate grounding techniques.

| Type of Disturbance | AC Line Disturbance Solutions | | | |
|---------------------|---|--------------------|-------------------------------|-------|
| | TRANSIENT PROTECTORS | VOLTAGE REGULATORS | UNINTERRUPTIBLE POWER SYSTEMS | |
| | ISOBLOK/ISOBAR Our Best - EL225, EL226 | MCR Series | Sola Series | Eaton |
| SURGE | * | ✓ | ✓ | ✓ |
| DIP | | ✓ | ✓ | ✓ |
| BROWNOUT | | ✓ | ✓ | ✓ |
| DROPOUT | | ✓ | ✓ | ✓ |
| BLACKOUT | | | ✓ | ✓ |
| SPIKES | ✓ | | ✓ | ✓ |
| NOISE EMI/RFI | ✓ | | ✓ | ✓ |

** Will provide some protection against surges; however, we recommend that transient protectors be used on lines where spikes, noise and interference occur.*

Our Policy

Rice Lake Weighing Systems recommends the installation of AC and/or DC transient protection, which is effective in significantly reducing both the frequency and degree of damage caused by AC and/or DC transient voltage occurrences. However, transient protection devices will not eliminate all damage caused by transient voltage. Rice Lake does not warrant or guarantee any transient protection device against damage or repair or any scale-related or other electrical/electronic device, which is intended to be protected by any transient protection device. No other warranty or guarantees—express or implied—contrary to this written policy are supported or acknowledged by Rice Lake.

TP232 RS-232

Serial Surge Protector

POWER
CONDITIONING



Approvals



Part Number/Price

| Part # | Description | Est. Weight | Price |
|--------|--|-------------|----------|
| 69201 | RS-232 transient serial protection TP232 high energy surge protector | 0.42 lb | \$187.00 |

Options/Accessories

| Part # | Description | Price |
|--------|----------------------------------|---------|
| 17778 | 12 in ground strap, copper braid | \$22.00 |
| 17781 | 24 in ground strap, copper braid | \$22.00 |
| 69516 | Additional installation manual | \$6.00 |

Standard Features

- Two metal mounting brackets
- Three stages of protection: Gas discharge tube, series resistor and transient voltage suppressor (TVS)
- Two terminal posts for ground
- RS-232 high energy surge protector
- Terminal blocks for transmit, receive, request to send, clear to send and signal ground
- Safe for use with computers and PLCs
- Also works with RS-485, RS-422 and 20 mA

Applications

- Indicators
- Remote displays
- Printers
- Computers
- PLC

Specifications

Clamping Voltage (Stage One):

72 V DC minimum, 108 V DC maximum

Series Resistance (Stage Two):

2.7 ohm

Clamping Voltage (Stage Three):

14.3 V minimum, 15.7 V maximum

Clamping Time:

Less than 5 <10-9 seconds

Temperature:

Operating:
0 °F to 122 °F (-18 °C to 50 °C)

Connectors:

Five-position terminal blocks

Dimensions:

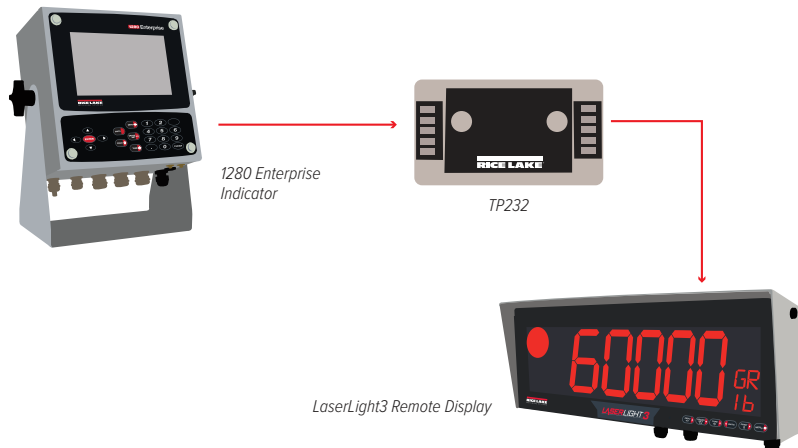
(L × W × H)
Approximately 4.5 × 3.3 × 1.8 in

Warranty:

One-year limited

Approvals:

CE



Tripp-Lite DNET1

Ethernet Surge Suppressor



Part Number/Price

| Part # | Description | Est. Weight | Price |
|--------|---------------------------------|-------------|---------|
| 72682 | DNET1 Ethernet surge suppressor | 1 lb | \$80.00 |

Standard Features

- RJ45 input and output connections
- Five-inch Ethernet patch cable enables ideal protection placed as close as possible to the point of use
- Six-inch heavy gauge lead connects to designated grounding lugs on protected equipment
- Surge suppression utilizing high-speed avalanche diodes divert excess energies on the network to ground

Specifications

Interface Type:

RJ45

Application:

100 Base-T, 10 Base-T, Token Ring, AS400/Sys3x, RS-422. Ideal for NICs, terminals, hubs, MAUs, LAN equipment. RJ11/45-compatible. RJ45 cable included.

Lines Protected:

1 to 8

Peak Pulse Clamping Voltage:

7.5 V

Maximum Current:

750 amps

Warranty:

One-year limited

LCP-1 DC

Transient Protector



Standard Features

- Low cost, non-serviceable
- Effective series protection for strain gauge transducers
- Encapsulated circuitry ensures positive protection against fungus or corrosion on boards
- Two nylon strain reliefs for 0.187 to 0.312 in (4.7 to 7.9 mm) diameter cable

Specifications

Protection Type:

Four-channel series type with separate shield

Maximum Excitation Voltage Rate:

18 VDC or 18 VAC

Clamping Voltage:

75 VDC or 75 VAC

Clamping Time:

< 100 nanoseconds typical

Peak Surge Currents:

5,000 amps any line to ground and 5,000 amps excitation to excitation

Maximum Serial Transmission Rate:

30 Kbaud

Grounding:

Through a 0.25 in lug to a 20 ft insulated #10 AWG ground wire provided

Cable Fitting:

(2) Standard nylon strain relief for 0.187 to 0.312 in diameter cable

Enclosure:

Chemically-resistant PVC. This device, for outdoor or indoor service, is not intended for washdown service (NEMA 4) or for submersion (NEMA 6). Optional NEMA 4X available.

Temperature:

Operating:
14 °F to 104 °F (-10 °C to 40 °C)

Leakage:

7,500 M ohm minimum

Dimensions:

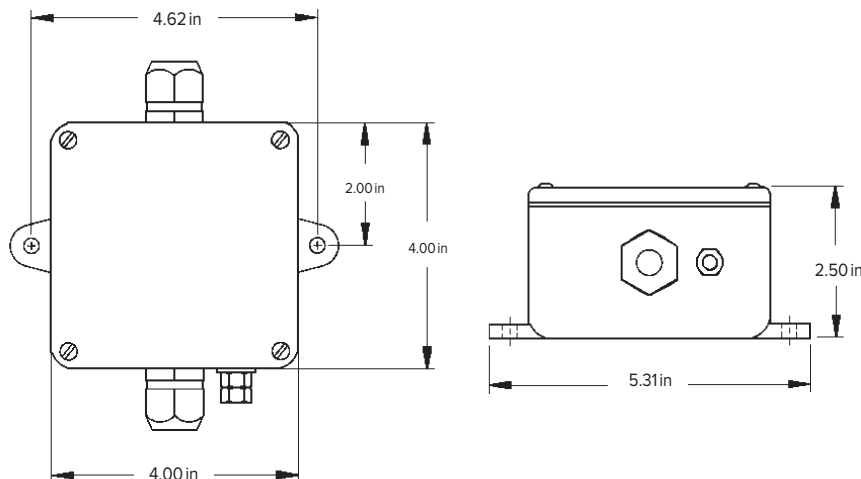
(L × W × H)
4.0 × 4.0 × 2.50 in

Warranty:

One-year limited

Part Number/Price

| Part # | Description | Est. Weight | Price |
|--------|--|-------------|----------|
| 21143 | LCP-1 DC with cable compression fittings | 2 lb | \$210.00 |



UJB3T6 DC

Transient Protector

POWER
CONDITIONING



Standard Features

- Protects load cells from voltage transients
- Compatible with signals down to 1 μ V per grad
- Factory serviceable
- Full six-wire with shield protection
- #6 SEMS screw type; accepts spade lugs, tinned leads or bare wires up to #12 AWG
- Up to eight parallel or summed load cells

Applications

- Installations exposed to significant transients
- Protects serial communication lines
- Protects load cells

Specifications

Protection Type:

Six-wire type with separate shield

Maximum Excitation Voltage:

20 VDC or 20 VAC

Clamping Voltage:

75 VDC or 75 VAC

Clamping Time:

75 VDC Stages <100 nanoseconds typical

Peak Surge Currents:

75 VDC Stage, 5,000 amps

Maximum Serial Transmission Rate:

50K baud

Series Resistance:

0.219 ohm typical

Series Inductance:

110 μ H typical

Grounding:

20 ft insulated #10 AWG wire

Cable Fitting:

(2) Nylon strain relief for 0.079 to 0.236 in diameter cable

Enclosure:

NEMA Type 4X, maximum 40 psi washdown
Fiberglass Reinforced Polyester (FRP)

Temperature:

Operating:
4 °F to 104 °F (-10 °C to 40 °C)

Circuit Board:

6.75 \times 4.75 in with anti-fungal coating

Dimensions:

(L \times W \times H)
7.63 \times 6.63 \times 3.25 in

Warranty:

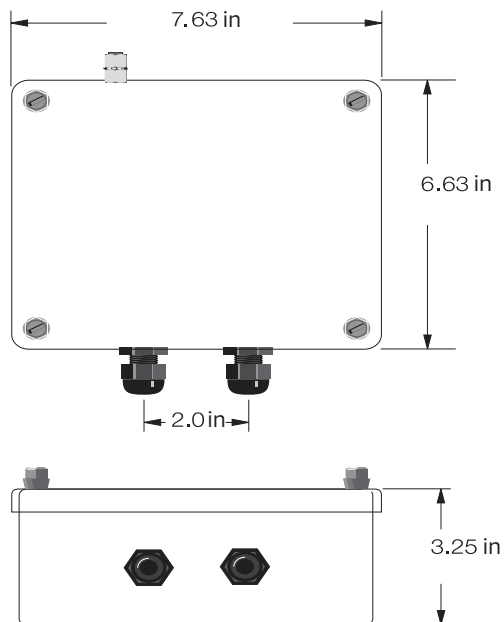
One-year limited

Part Number/Price

| Part # | Description | Est. Weight | Price |
|--------|-------------|-------------|----------|
| 21134 | UJB3T6 DC | 4 lb | \$495.00 |

Options/Accessories

| Part # | Description | Price |
|--------|---|----------|
| 21135 | UJB3T6 DC six-channel load cell transient protector, board only | \$285.00 |



TP75 DC

Transient Protector

POWER
CONDITIONING



Standard Features

- Protects load cells and indicators from voltage transients
- Avalanche diode design
- Full six-wire with shield protection
- NEMA Type 4X enclosure
- Unlimited number of parallel load cells; up to eight in series
- Terminal lugs provided

Applications

- Tank, bin and hopper scales
- Truck and railroad scales
- Suitable for outdoor use

Specifications

Protection Type:

Six-wire type with separate shield

Maximum Excitation Voltage:

22.8 VDC

Response Time:

Five nanoseconds

Peak Surge Currents:

100 amps

Grounding:

10 AWG wire or larger (not provided)

Cable Fitting:

(2) Nylon strain relief for 0.187 to 0.312 in diameter cable

Enclosure:

Impact-resistant polycarbonate NEMA Type 4X, maximum 40 psi washdown

Temperature:

Operating:
-4 °F to 149 °F (-20 °C to 65 °C)

Dimensions:

(L × W × H)
3.16 × 2.20 × 1.18 in

Warranty:

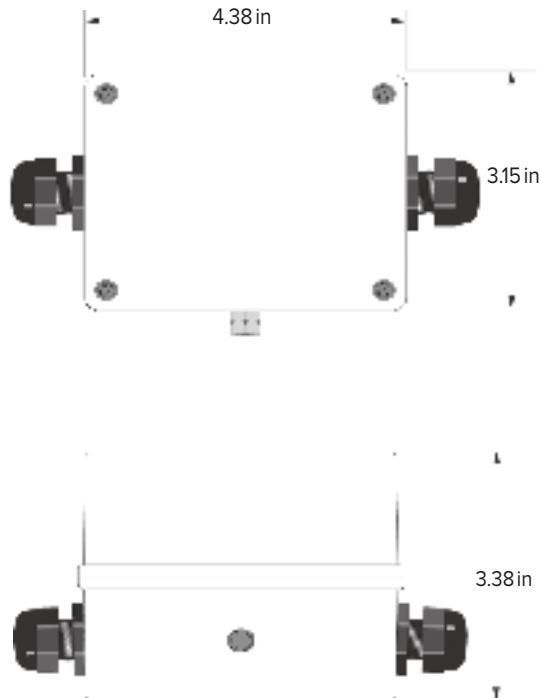
One-year limited

Part Number/Price

| Part # | Description | Est. Weight | Price |
|--------|---|-------------|----------|
| 33185 | TP75, load cell protector and mounting hardware | 2 lb | \$335.00 |

Options/Accessories

| Part # | Description | Price |
|--------|---|----------|
| 31164 | TP75 DC transient protection, board only, with labels | \$260.00 |





Standard Features

- Two outlets, direct plug-in
- LED indicator for power on
- LED indicator for protection circuitry
- UL1449 listed at 330 volts
- Mounting clamp assures positive connection

Specifications

Input Voltage:
120 VAC

Clamping Voltage:
140 V rms

Clamping Time:
Less than five nanoseconds

Peak Surge Currents:
6,500 amps

Maximum Current:
15 amps

Maximum Power:
1,875 watts

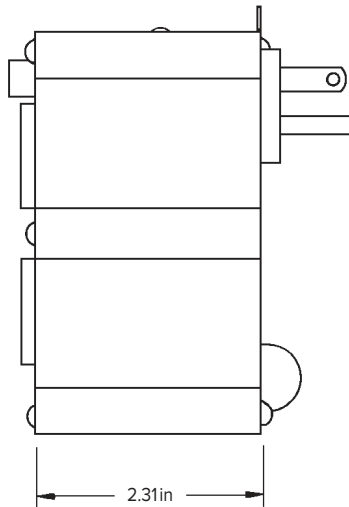
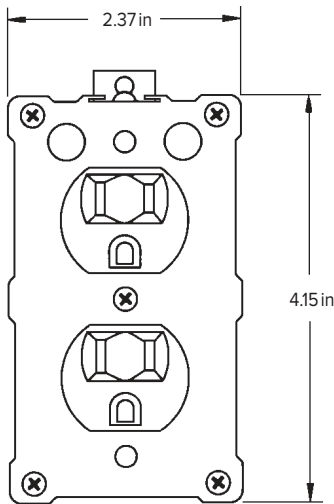
Noise Suppression:
Frequency Attenuation
50 KHz > 20 db
150 KHz > 40 db
1 MHz > 80 db
> 6 MHz > 30 db

Dimensions:
(L x W x H)
4.15 x 2.37 x 2.31 in

Weight:
Approximately 1 lb

Part Number/Price

| Part # | Description | Est. Weight | Price |
|--------|---|-------------|----------|
| 21145 | ISOBLOK AC two-outlet transient protector | 1 lb | \$125.00 |



ISOBAR®

AC Transient Protector

POWER
CONDITIONING



Standard Features

- Four outlets
- Six-foot cord with grounded three-prong plug
- Lighted on/off switch
- Circuit breaker protected
- Multiple filter design prevents the different components of your system from interfering with each other
- UL1449 listed at 330 volts
- Exclusive isolated filter banks prevent equipment interaction
- ISOBAR cascade circuitry allows you to choose more protection for your most sensitive equipment and a lesser degree of protection for equipment with more tolerance

Specifications

Input Voltage:
120 VAC

Maximum Current:
15 amps

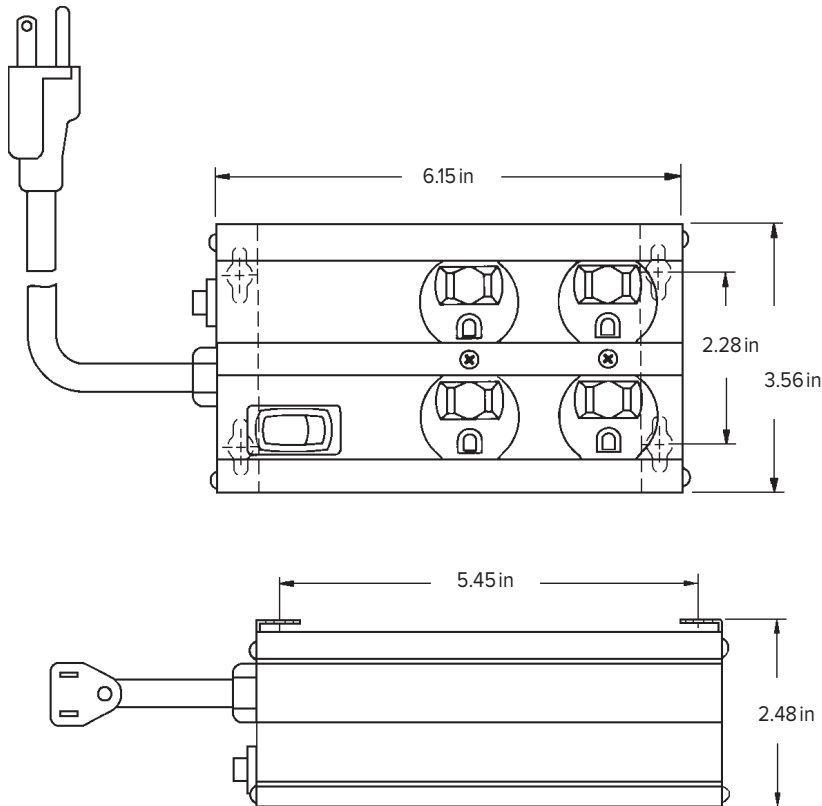
Maximum Power:
1,875 watts

Noise Suppression:
Frequency Attenuation
50 KHz > 20 db
150 KHz > 40 db
1 MHz > 80 db
> 6 MHz > 30 db

Dimensions:
(L × W × H)
6.15 × 3.56 × 2.48 in

Part Number/Price

| Part # | Description | Est. Weight | Price |
|--------|--|-------------|----------|
| 21146 | ISOBAR AC four-outlet transient protector, 115 VAC | 2 lb | \$220.00 |
| 36663 | ISOBAR 230 VAC Euro | 3 lb | \$195.00 |





Standard Features

- Duplex receptacle
- 20 ft ground cable
- Factory serviceable
- 9 ft cord with three-prong plug
- Plugs into any grounded three-prong outlet
- Indicator light to confirm secure protection
- Shielded line cord
- Scale, computer and printer protection
- Can mount on any surface

Specifications

Protection Type:

13-stage filters out both common and normal mode transients

Voltage:

120 VAC 50/60 Hz, nominal

Maximum Current:

10 A rms instantaneous
7.5 A rms continuous

Clamping Time:

Less than three to five nanoseconds

EMI/RFI Protection:

13 stages

Grounding:

20 ft insulated #10 AWG wire provided

Enclosure:

Stainless steel

Temperature:

Operating:
14 °F to 104 °F (-10 °C to 40 °C)

Circuit Board:

Fiberglass reinforced 4-glass epoxy

Dimensions:

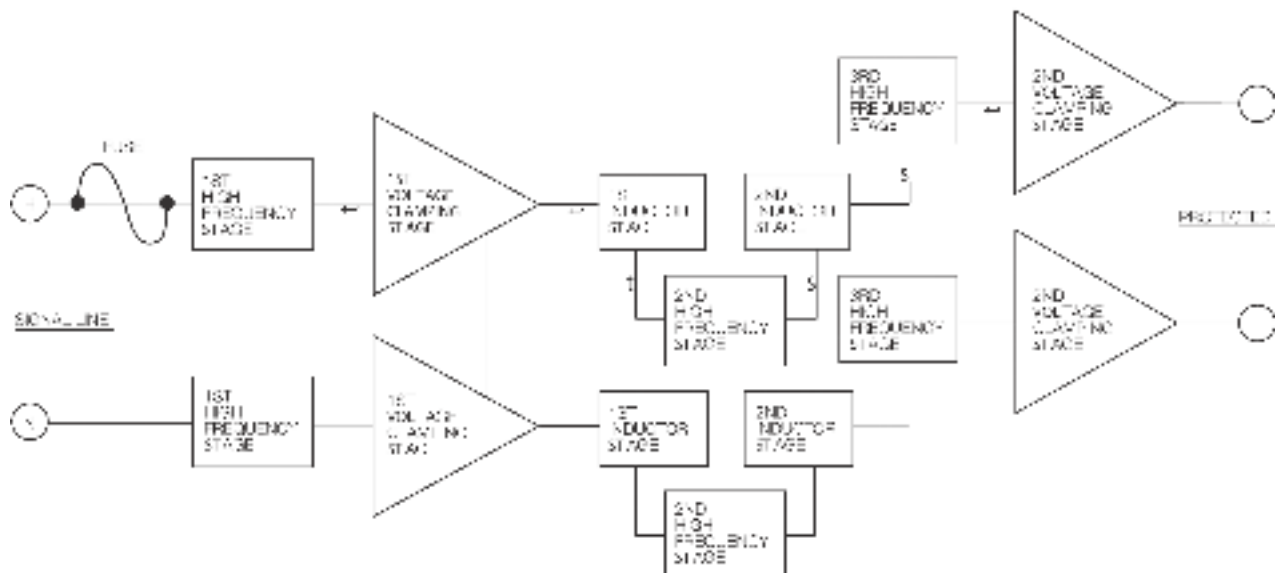
(L x W x H)
8.00 x 6.00 x 2.50 in

Warranty:

One-year limited

Part Number/Price

| Part # | Description | Est. Weight | Price |
|--------|--|-------------|----------|
| 21136 | EL226 AC two-outlet transient protector, 115 VAC | 6 lb | \$370.00 |



EL225-4

AC Transient Protector



POWER
CONDITIONING

Standard Features

- Dedicated series transient protection
- Bidirectional design reduces noise on surrounding lines

Specifications

Protection Type:

Nine-stage series type filters out both common and normal mode transients

Maximum Current:

2 amps continuous

Trip Point:

130 VAC rms

Clamping Time:

Less than five nanoseconds

EMI/RFI Protection:

Nine stages

Grounding:

20 ft insulated #10 AWG wire provided

Temperature:

Operating:
14 °F to 104 °F (-10 °C to 40 °C)

Dimensions:

(L × W × H)
4.01 × 2.05 × 2.00 in

Warranty:

One-year limited

Part Number/Price

| Part # | Description | Est. Weight | Price |
|--------|--|-------------|----------|
| 21142 | EL225-4 AC transient protector (chassis mount) 115 VAC | 1 lb | \$285.00 |

Sola MCR Series

AC Power Regulators



Standard Features

- Automatic overload protection
- Convenient lighted on/off switches
- Available in 70, 150 and 250 VA outputs
- Offered in standard 120 volt, 60 Hz models
- Two duplex receptacles allow several pieces of equipment to economically share the same source of regulated power

Specifications

Input:

Voltage: 120 V
Input Voltage Range: +10% to -20% of input nominal voltage

Control:

Lighted Enable Switch

Output:

Voltage: 120 V
Voltage Regulation: ±3% for an input line variation of +10% to -20%. Output will remain within NEMA voltage specifications for input voltages as low as 65% of nominal. No loss of output for line loss of three milliseconds.
Harmonic Distortion: Less than 3% total RMS content at full load

Noise Reduction:

Common mode noise rejection exceeds 120 dB (DC to 1 MHz)
Transverse mode noise rejection exceeds 60 dB (10 KHz to 1 MHz)

Protection:

Input: Surge suppression module
Output: Surge suppression module and ferroresonant technology suppresses ANSI/IEEE C62.41-1980 Class A and B waveforms to safe levels (formerly IEEE 587-1980)

Efficiency:

90% at full load (typical)

Reliability:

25-year continuous life, average

Temperature:

Operating:
-4 °F to 122 °F (-20 °C to 50 °C)

Construction:

Cruciform-type construction with precision die-cut shunts, gaps and spacing between windings

Dimensions:

(L × W × H)
9.25 × 6.75 × 6.25 in

Warranty:

One-year limited

Approvals:

UL listed to UL1012
CSA certified to CSA C22.2-66

Approvals



Part Number/Price

| Part # | Description | Est. Weight | Price |
|--------|--|-------------|------------|
| 21155 | Sola MCR 070 regulator 120 VAC power 70 VA power | 16 lb | \$825.00 |
| 21156 | Sola MCR 150 AC power regulator, 150 VA | 21 lb | \$1,595.00 |
| 21157 | Sola MCR 250 AC power regulator, 250 VA | 29 lb | \$1,995.00 |

Tripp-Lite PV Series

Power Convertor

POWER
CONDITIONING



Standard Features

- Two 5-15R outlets
- Convenient on/off switch
- Transistorized and solid state for long life and quiet operation
- Three-foot cord with DC plug

Specifications

Input VDC:
12 V

Output VAC:
120 VAC

Frequency Hz:
60 Hz

Max Output:
Continuous: 375 watts
Intermittent: 375 watts

Input Amp:
No Load: 0.65 amps
Full load: 40 amps

Enclosure:
Non-sealed aluminum

Dimensions:
(L × W × H)
7.00 × 4.25 × 2.00 in

Warranty:
One-year limited

Part Number/Price

| Part # | Description | Est. Weight | Price |
|--------|-------------|-------------|----------|
| 79679 | PV-375 | 3 lb | \$225.00 |

Tripp-Lite LC1200

Power Regulator



Standard Features

- Maintains usable 120 V nominal output during brownouts as low as 87 V and overvoltages as high as 140 V
- 1,200 watts output power rating supports heavy 120 V loads up to 10 amps
- Network grade surge suppression rated at 1,200 joules
- Complete EMI/RFI noise filtering
- Seven diagnostic LEDs indicate input voltage levels, surge suppression status and line fault conditions
- Four protected NEMA Type 5-15R outlets
- Six-foot AC power cord with standard NEMA 5-15P input plug

Specifications

Max Output:
Continuous: 1,200 watts

Voltage/Frequency:
120/60

Cordset:
6 ft

AC Receptacles:
Four NEMA 5-15R

LED Indicators:
Seven (very high voltage, high voltage, normal voltage, low voltage, very low voltage, line fault, line OK)

Surge Energy Rating (Joules):
1,200

High Frequency Noise Suppression at 1 MHz:
80 dB

Dimensions:
(L × W × H)
6.75 × 5.75 × 6.75 in

Warranty:
One-year limited

NOTE:
LC models have isolated filter banks. Each duplex outlet pair is filtered from the rest to prevent interference between connected equipment.

Part Number/Price

| Part # | Description | Est. Weight | Price |
|--------|---------------------------------|-------------|----------|
| 70726 | LC1200, 120 VAC power regulator | 11 lb | \$525.00 |

Sola S1K/S3K

Uninterruptible Power Supply (UPS)

POWER
CONDITIONING



Standard Features

- Protects against most adverse power conditions, including: frequency variations, surge, noise, blackouts, lightning, spike, brownouts, and over and under voltages
- Data-line surge protection for phone or network included on every unit
- Greater uptime with intelligent power management, full-sequence battery testing and two-level overload protection

Specifications

Input VAC:

Online Operation:
115 VAC: +20%/-25%

Frequency:

Online: 50/60 Hz \pm 1 Hz auto sensing

Overload Capacity:

120% \pm 10% (Three minutes on line mode, 10 seconds on battery)

Max Output:

Continuous: 375 watts

Transfer Time:

Four ms typical

On Battery Voltage:

115 VAC: 115 VAC rms \pm 10%

Output Voltage Waveform:

Step sine wave at 115 V

Output Protection:

Electronically limited

Input Protection:

Circuit breaker

Recharge Time (to 95% capacity):

Four hours

Lightning and Surge Protection:

ANSI/IEEE C62.41 categories A & B, IEC801.4, 801.5

Safety Certification:

115 VAC: UL listed to 1778, designed to meet UL497A, CSA certified to CSAC22.2 No. 107.1

EMI Compliance:

115 VAC: FCC Class B

Data Line Protection:

115 VAC: fax/modem, network

Indicators:

Online/utility fail/overload/replace battery

Audible Alarms:

Utility fail/overload/replace battery

Dimensions:

(L x W x H)

S1K: 5.3 x 3.8 x 12.6 in

S2K: 8.3 x 5.5 x 17.2 in

Warranty:

Two-year limited

Approvals



Part Number/Price

| Part # | Model # | Capacity (Va/Watts) | Volts, Frequency In/Out | Typical Backup (Minutes) | Est. Weight | Input Plug/Output Receptacle | Price |
|--------|--------------|---------------------|-------------------------|--------------------------|-------------|------------------------------|------------|
| 110812 | 520 VA S1K | 520 | 115/115, 50/60 Hz | 15 | 12 lb | 5-15P(4) 5-15R | \$325.00 |
| 203635 | 1,000 VA S3K | 1,000/750 | 115/115, 50/60 Hz | 18 | 39 lb | 5-15P(4) 5-15R | \$2,395.00 |

Note: 230 VAC versions available. Consult factory.

Note: Air around the above units must be free of dust, chemicals or other materials that corrode or contaminate

Eaton 3S/5S

Uninterruptible Power Supply (UPS)



Standard Features

- Five outlets with battery back up and surge protection
- UPS and Surge Protection
- Replaceable battery
- Data Line Protection

Specifications

Input VAC:

Online Operation:
89 to 151 VAC (3S)
93 to 138 VAC (5S)

Frequency:

Online: 50/60 Hz out sensing

Safety Markings:

UL, CUL, NOM

Indicators:

Power, LED

Audible Alarms:

No

Dimensions:

(L x W x H)

3S: 3.4 x 5.5 x 13.2 in

5S: 9.8 x 3.4 x 10.2 in

Warranty:

Three-year limited

Part Number/Price

| Part # | Model # | Capacity (Va/Watts) | Volts, Frequency In/Out | Est. Weight | Input Plug/Output Receptacle | Price |
|--------|----------|---------------------|-------------------------|-------------|------------------------------|----------|
| 154127 | Eaton 3S | 550/330 | 120 V | 10 lb | NEMA Type 5-15R | \$165.00 |
| 154128 | Eaton 5S | 700/450 | 120 V | 16 lb | NEMA Type 5-15R | \$350.00 |

Precision Industrial Weighing

TABLE OF CONTENTS

MINEBEA INTEC

| | |
|--|------------|
| Midrics® Series | 860 |
| <i>Complete Scale</i> | |
| Midrics® 2 Series | 861 |
| <i>Midrics/Combics System</i> | |
| Combics® 2 | 862 |
| <i>Complete Scale</i> | |
| Midrics® 1 and 2 Series | 863 |
| <i>Digital Weight Indicator</i> | |
| Signum Series | 864 |
| <i>Complete Scale</i> | |
| Combics® 1 | 866 |
| <i>Digital Weight Indicator</i> | |
| Combics® 2 | 867 |
| <i>Digital Weight Indicator</i> | |
| Combics® 3 | 868 |
| PURO® SmallFlat | 869 |
| <i>Compact Single Display Scale</i> | |
| PURO® LargeFlat | 870 |
| <i>Compact Single Display Scale</i> | |
| PURO® SmallTall | 871 |
| <i>Compact Dual Display Scale</i> | |
| PURO® LargeTall | 872 |
| <i>Compact Dual Display Scale</i> | |
| PURO® LargeCount | 873 |
| <i>Counting Scale</i> | |
| Combics® | 874 |
| <i>Bench and Floor Platform Scales</i> | |
| IF Series | 875 |
| <i>Painted Steel Platform Scale</i> | |
| IF Series | 877 |
| <i>Stainless Steel Platform Scale</i> | |
| IS Series | 879 |
| <i>Industrial Scale Weighing Platform (not intrinsically safe)</i> | |
| Signum EX Supreme, Explosion Proof | 880 |
| <i>Bench Scale</i> | |
| Combics® 2 Ex, Explosion Proof | 881 |
| <i>Digital Weight Indicator</i> | |
| Combics®, Explosion Proof | 882 |
| <i>Bench and Floor Platform Scales</i> | |
| IF Series, Explosion Proof | 883 |
| <i>Weighing Platform Scales</i> | |
| Inteco | 885 |
| <i>Zinc-Plated Steel Star Mount Kits</i> | |
| Inteco | 886 |
| <i>Stainless Steel Star Mount Kits</i> | |
| PR6202 | 887 |
| <i>Hygienic Weigh Module Kits</i> | |
| Contego-Hygienic Weigh Module Kits | 888 |
| <i>Lateral Cable Outlet</i> | |
| PR5220 Ethernet TCP/IP Transmitter | 889 |
| PR5230 Fieldbus Transmitter | 890 |
| DIGI® DSX-1000 | 891 |
| <i>High Precision Checkweigher</i> | |

Product names, logos, brands and other trademarks featured or referred to within this publication are the property of their respective trademark holders.



Standard Features

- Four adjustable feet, level indicator on LCE and NCE
- Midrics 1 display for simple weighing tasks
- Optional accessories: User-installed interface kits, printer, external battery pack, software tools, panel mount kit

Specifications

Indicators:

MIS1 - UR 20 mm LCD

Power Supply:

100 to 200 VAC, 50/60 Hz

Readability:

15,000 scale intervals

Cable Length:

2.5 m (8.2 ft)

IP Rating:

IP65

Warranty:

Two-year limited, pending evaluation

PRECISION INDUSTRIAL WEIGHING

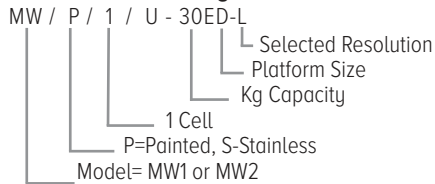
Part Number/Price

| Part # | Minebea Part # | Dimensions | # Load Cells | Capacity | Readability | Est. Weight | Price |
|--------|----------------|-----------------|--------------|----------|-------------|-------------|------------|
| 103668 | MW1P1U-6DC-L | 12.5 × 9.5 in | 1 | 6 kg | 0.5 g | 22 lb | \$1,700.00 |
| 103669 | MW1P1U-15DC-L | 12.5 × 9.5 in | 1 | 15 kg | 1 g | 24 lb | \$1,670.00 |
| 103670 | MW1P1U-30ED-L | 15.75 × 11.8 in | 1 | 30 kg | 2 g | 24 lb | \$1,800.00 |
| 103671 | MW1P1U-60ED-L | 15.75 × 11.8 in | 1 | 60 kg | 5 g | 24 lb | \$1,845.00 |
| 103672 | MW1P1U-60FE-L | 19.5 × 15.75 in | 1 | 60 kg | 5 g | 22 lb | \$2,060.00 |

Options/Accessories

| Part # | Minebea Part # | Description | Price |
|---------|----------------|---|----------|
| 171727 | YDH12CWSUS | Holder base mount for ED base | \$145.00 |
| Consult | Consult | Stainless steel column | Consult |
| 105607 | YDH02CISUS | Wall-mount bracket, SST, tiltable | \$120.00 |
| 193048 | YDC01SW | Indicator dust cover pack of two | \$100.00 |
| Consult | YBP03CIS | Base for installing floor mounted option, SST | \$205.00 |
| Consult | YAS03MI | Indicator panel mount option | \$196.00 |

Custom Part No. Configuration



Capacities

- 6 kg × 0.5 g
- 15 kg × 1 g
- 30 kg × 2 g
- 60 kg × 5 g

Platform Sizes

- DC = 12.5 × 9.5 in
- ED = 15.75 × 11.8 in
- FE = 19.5 × 15.75 in



Standard Features

- Four adjustable feet, level indicator on LCE and NCE
- Midrics 2 with 10-key touchpad and application programs
- Midrics 2 application programs - counting, checkweighing, classification, totalizing, net-total formulation, animal weighing, percent weighing, neutral measurement
- Optional accessories: User-installed interface kits, printer, external battery pack, software tools, panel mount kit

Specifications

Power Supply:

100 to 200 VAC, 50/60 Hz

Readability:

15,000 scale intervals

Cable Length:

3 m (10 ft)

Rating/Material:

Painted: IP65
 Stainless steel: IP67/IP68

Warranty:

Two-year limited, pending evaluation

Part Number/Price

| Part # | Minebea Part # | Dimensions | Capacity | Readability | Est. Weight | Price |
|------------------------------------|------------------|------------|-----------------|-----------------------|-------------|------------|
| Mild Steel with MIS2-U | | | | | | |
| 156428 | MW2P1UE-10CC-I | 10 × 10 in | 15 lb (6 kg) | 0.0005 lb (0.0002 kg) | 18 lb | \$1,795.00 |
| 156429 | MW2P1UE-50DD-I | 12 × 12 in | 60 lb (30 kg) | 0.002 lb (0.001 kg) | 22 lb | \$1,910.00 |
| 156430 | MW2P1UE-100EE-I | 18 × 18 in | 150 lb (60 kg) | 0.005 lb (0.002 kg) | 63 lb | \$2,495.00 |
| 156431 | MW2P1URE-250GG-I | 24 × 24 in | 300 lb (150 kg) | 0.01 lb (0.005 kg) | 118 lb | \$4,515.00 |
| Stainless Steel with MIS2-U | | | | | | |
| 156432 | MW2S1UE-10CC-I | 10 × 10 in | 15 lb (6 kg) | 0.0005 lb (0.0002 kg) | 18 lb | \$2,535.00 |
| 156433 | MW2S1UE-50DD-I | 12 × 12 in | 60 lb (30 kg) | 0.002 lb (0.001 kg) | 22 lb | \$2,425.00 |
| 156434 | MW2S1UE-100EE-I | 18 × 18 in | 150 lb (60 kg) | 0.005 lb (0.002 kg) | 63 lb | \$2,910.00 |
| 156435 | MW2S4URE-250GG-I | 24 × 24 in | 300 lb (150 kg) | 0.01 lb (0.005 kg) | 118 lb | \$7,405.00 |

Options/Accessories

| Part # | Minebea Part # | Description | Price |
|--------|----------------|--|----------|
| 156440 | YDH01CWSUS | Post mount assembly for 10 × 10 in platforms, 13 in high | \$330.00 |
| 156441 | YDH02CWSUS | Post mount assembly for 12 × 12 in platforms, 19 in high | \$340.00 |
| 156442 | YDH03CWSUS | Post mount assembly for 18 × 18 in platforms, 29 in high | \$400.00 |
| 193048 | YDC01SW | Indicator dust cover pack of two | \$100.00 |

PRECISION INDUSTRIAL WEIGHING



Shown with optional post mount assembly

Application Note:

Counting, checkweighing, differential weighing, percentage weighing, gross-net-tare, sorting, net-total, animal weighing, averaging, totalizing

Standard Features

- Amber backlit LCD display, 0.8 in, 13 segment
- External calibration routine
- RS-232C
- Numeric keypad (with two IDs) for entering identifier codes and preset tares
- Info key for quick and easy display of tare input and ID codes
- Date/time fully integrated
- Three built-in LED checkweighing lights
- Bar graph weighing range indicator
- Optional bar code scanner for preset tare, reference weight and ID entry
- Stored customer-specific data records
- Two scale connections, analog or digital

Specifications

Supply Voltage:
9 V

Power Requirements:
120 to 240 VAC, 17 W (23 VA maximum)

Indicator Housing:
AISI 304 stainless steel

Indicator Dimensions:
(L × W × H)
11.9 × 7.4 × 3.5 in
(302.3 × 188 × 89 mm)

Temperature:
Operating:
14 °F to 104 °F (-10 °C to 40 °C)

Cable Length:
3 m (10 ft)

Warranty:
Two-year limited, pending evaluation

Part Number/Price

| Part # | Minebea Part # | Dimensions | Capacity | Readability | Est. Weight | Price |
|-------------------------------------|------------------|------------|-----------------|-----------------------|-------------|------------|
| Mild Steel with CAISL2-U | | | | | | |
| 156409 | CAW2P1U-10CC-I | 10 × 10 in | 15 lb (6 kg) | 0.0005 lb (0.0002 kg) | 20 lb | \$2,330.00 |
| 156414 | CAW2P1U-50DD-I | 12 × 12 in | 60 lb (30 kg) | 0.002 lb (0.001 kg) | 24 lb | \$2,430.00 |
| 156420 | CAW2P1U-100EE-I | 18 × 18 in | 150 lb (60 kg) | 0.005 lb (0.002 kg) | 65 lb | \$2,870.00 |
| 156423 | CAW2P1U-250GG-I | 24 × 24 in | 300 lb (150 kg) | 0.01 lb (0.005 kg) | 120 lb | \$4,720.00 |
| Stainless Steel with CAIS2-U | | | | | | |
| 156424 | CAW2S1U-10CC-I | 10 × 10 in | 15 lb (6 kg) | 0.0005 lb (0.0002 kg) | 22 lb | \$3,070.00 |
| 156425 | CAW2S1U-50DD-I | 12 × 12 in | 60 lb (30 kg) | 0.002 lb (0.001 kg) | 30 lb | \$3,260.00 |
| 156426 | CAW2S1U-100EE-I | 18 × 18 in | 150 lb (60 kg) | 0.005 lb (0.002 kg) | 68 lb | \$3,970.00 |
| 156427 | CAW2S4UR-250GG-I | 24 × 24 in | 300 lb (150 kg) | 0.01 lb (0.005 kg) | 127 lb | \$8,600.00 |

CAW2P are an IP65 mild steel base with an IP44 indicator
 CAW2S are an IP67 stainless steel base with an IP69K indicator

Options/Accessories

| Part # | Minebea Part # | Description | Price |
|---------|----------------|--|----------|
| 156440 | YDH01CWSUS | Post mount assembly for 10 × 10 in platforms, 13 in high | \$330.00 |
| 156441 | YDH02CWSUS | Post mount assembly for 12 × 12 in platforms, 19 in high | \$340.00 |
| 156442 | YDH03CWSUS | Post mount assembly for 18 × 18 in platforms, 29 in high | \$400.00 |
| 171727 | YDH12CWSUS | Bench mount bracket | \$145.00 |
| 105607 | YDH02CISUS | Tilttable wall mount bracket | \$120.00 |
| Consult | 69CW0126 | Power supply | Consult |



Standard Features

- Backlit 14-segment, 20 mm LCD display
- Wall-mount bracket
- Time and date
- RS-232 and clock (V1 and V2 models only)
- Midrics 2 additional feature
 - Numerical keyboard
- Applications
 - Weighing
 - Counting
 - Checkweighing
 - Sorting (3 or 5 classes)
 - Totalizing
 - Net-total
 - Animal weighing
 - Weighing in percent
 - Neutral measurement

Part Number/Price

| Part # | Minebea Part # | Description | Price |
|--------|----------------|---|------------|
| 155855 | MIS1UR-V1 | Midrics 1, wall bracket (table top versions with U bracket) | \$795.00 |
| 155857 | MIS1U-L9 | Midrics 1, wall bracket, internal battery pack | \$1,100.00 |
| 155856 | MIS2UR-V2 | Midrics 2, wall bracket (table top versions with U bracket) | \$895.00 |
| 155859 | MIS2U-L9 | Midrics 2, wall bracket, internal battery pack | \$1,200.00 |

Options/Accessories

| Part # | Minebea Part # | Description | Price |
|---------|----------------|--|----------|
| 155860 | YD001M-232CLK | Replacement RS-232 interface and clock | \$285.00 |
| 103044 | YDA01M-20MA | Analog current output, 0-20 mA, 4-20 mA, 0-10 V (16-bit) | \$650.00 |
| 155805 | YCC01-USBM2 | Connecting cable from RS-232 to USB connector, 2 m | \$280.00 |
| 155806 | YCC02-D25F6 | Connecting cable for accessories 25-pin D-SUB female | \$295.00 |
| Consult | YAS03-M1 | Panel mount option | Consult |
| 193048 | YDC01SW | Dust cover pack of two | \$100.00 |
| 171727 | YDH12CWSUS | Bracket, bench mount for DC, ED, and FE | \$145.00 |

Options

- 4 to 20 mA

Specifications

Load Cell Connection:

Excitation voltage 8.4 V
 4 or 6 conductor

Power Requirements:

100 to 240 VAC (-15/10) 50/60 Hz, Max 17 W/23 VA

Power Cord:

3 m (10 ft)

Rating/Material:

IP65
 304 stainless steel enclosure

Dimensions:

(L × W × H)
 9.37 × 6.50 × 3.70 in
 (238 × 165 × 94 mm)

Temperature:

Operating:
 14 °F to 104 °F (-10 °C to 40 °C)

Net Weight:

5 lb (2.3 kg)

Warranty:

Two-year limited, pending evaluation

Approvals:

NTEP Class III

Signum Series

Complete Scale



PRECISION
INDUSTRIAL WEIGHING

Standard Features

- Compact scale built as custom
- Three indicator models: 6, 14 or 28 keys
- Three weighing technologies - load cell, mechatronic or monolithic
- Resolution 35,000 d to 350,000 d
- Built-in motorized calibration weight (Signum Supreme)
- RS-232 output

Specifications

Power:

Multi-range, 110 to 240 V

Temperature:

Operating: 14 °F to 104 °F (-10 °C to 40 °C)

Measurement Technology:

SIWRDCP-Load cell signum regular
SIWADCP-Mechatronic cell-advanced
SIWSDCP-Monolithic-supreme

Rating/Material:

IP65
Painted steel frame with a stainless steel cover

Cable Length:

Display: 6 ft (1.83 m) approximately

Platform Size:

13.8 × 9.5 in (351 × 241 mm)

Warranty:

Two-year limited, pending evaluation

| Weighing Technology | Indicator Options | Capacity | Readability | Included |
|---|--|-------------------------|----------------------|----------------------------------|
| SIWRDCP (Load Cell) | Applications level 1 - Tare, Zero, Weight Toggle OR Application level 3 - Tare, Zero, Counting, Checkweighing, IDs | 3, 6, 15, 35, and 60 kg | 30,000 d | IP65, RS-232, detachable display |
| SIWADCP (Temperature Compensated Load Cell) | | 7, 16, 35 and 65 kg | 70,000 d | IP65, RS-232 |
| SIWSDCP (Monolithic) | | 6, 16 and 35 kg | 160,000 to 600,000 d | IP65, RS-232, detachable display |

Part Number/Price

| Part # | Minebea Part # | Dimensions | # Load Cells | Application Level | Capacity | Readability | Est. Weight | Price |
|--------|----------------|---------------|--------------|-------------------|----------|-------------|-------------|------------|
| 103665 | SIWADCP-V3 | 13.7 × 9.5 in | 1 | 1 | 7 kg | 0.1 g | 29 lb | \$2,838.00 |
| 103666 | SIWADCP-V4 | 13.7 × 9.5 in | 1 | 3 | 7 kg | 0.1 g | 29 lb | \$3,720.00 |
| 105853 | SIWADCP-V5 | 13.7 × 9.5 in | 1 | 3 | 35 kg | 0.5 g | 29 lb | \$3,765.00 |
| 105854 | SIWADCP-V6 | 13.7 × 9.5 in | 1 | 3 | 65 kg | 1 g | 29 lb | \$3,785.00 |
| 105855 | SIWRDCP-V6 | 13.7 × 9.5 in | 1 | 1 | 3 kg | 0.1 g | 29 lb | \$2,150.00 |
| 103657 | SIWRDCP-V7 | 13.7 × 9.5 in | 1 | 1 | 6 kg | 0.2 g | 29 lb | \$2,175.00 |
| 103658 | SIWRDCP-V8 | 13.7 × 9.5 in | 1 | 1 | 15 kg | 0.5 g | 29 lb | \$2,195.00 |
| 103659 | SIWRDCP-V9 | 13.7 × 9.5 in | 1 | 1 | 35 kg | 1 g | 29 lb | \$2,220.00 |
| 103660 | SIWRDCP-V10 | 13.7 × 9.5 in | 1 | 1 | 60 kg | 2 g | 29 lb | \$2,240.00 |
| 151372 | SIWSBBP-V16 | 7.1 × 7.1 in | 1 | 1 | 3 kg | 0.01 g | 16.5 lb | \$5,505.00 |
| 151373 | SIWSBBP-V17 | 7.1 × 7.1 in | 1 | 1 | 6 kg | 0.01 g | 16.5 lb | \$6,645.00 |
| 151374 | SIWSDCP-V18 | 13.7 × 9.5 in | 1 | 1 | 16 kg | 0.1 g | 29 lb | \$6,520.00 |
| 151375 | SIWSDCP-V19 | 13.7 × 9.5 in | 1 | 1 | 35 kg | 0.1 g | 29 lb | \$7,115.00 |
| 151376 | SIWRDCP-V20 | 13.7 × 9.5 in | 1 | 3 | 6 kg | 0.2 g | 29 lb | \$2,990.00 |
| 151377 | SIWRDCP-V21 | 13.7 × 9.5 in | 1 | 3 | 15 kg | 0.5 g | 29 lb | \$3,000.00 |
| 151378 | SIWRDCP-V22 | 13.7 × 9.5 in | 1 | 3 | 35 kg | 1 g | 29 lb | \$3,030.00 |
| 151379 | SIWRDCP-V23 | 13.7 × 9.5 in | 1 | 3 | 60 kg | 2 g | 29 lb | \$3,050.00 |
| 151410 | SIWADCP-V24 | 13.7 × 9.5 in | 1 | 1 | 16 kg | 0.2 g | 29 lb | \$2,860.00 |
| 151411 | SIWADCP-V25 | 13.7 × 9.5 in | 1 | 1 | 35 kg | 0.5 g | 29 lb | \$2,890.00 |

PRECISION
INDUSTRIAL WEIGHING

Options/Accessories

| Part # | Minebea Part # | Description | Price |
|---------|----------------|---|------------|
| 36907 | YDP21 | Data printer, statistics and T/D functions, 5 ft cable (requires 83248) | \$1,360.00 |
| 31106 | 6906918 | Ribbon | \$105.00 |
| 31103 | 6906937 | Paper | \$75.00 |
| 83248 | YCC01-0016M3 | Cable, 9.8 ft, 12-pin round to 25 D-Sub female | \$442.00 |
| 105607 | YDH02CISUS | Wall mount bracket | \$120.00 |
| 153218 | YDH01P | Column for DC platforms, 19 in | \$680.00 |
| 155884 | YDH02P | Column to BBP | \$725.00 |
| 155804 | YCC05-001M5 | RS-232 cable, 25-pin D-sub male to 9/25-pin D-sub female | \$160.00 |
| 193048 | YDC01SW | Dust cover pack of two | \$100.00 |
| 194664 | YD001CS-ETH | Ethernet option (for DCP & EDG models only) | \$955.00 |
| 199894 | YD003SW-ETH | Ethernet option (for BBP models only) | \$1,090.00 |
| Consult | 69CW0126 | Power cord | Consult |



Application Note:

Combics 1 indicator is designed for use with both Combics, IF and IS series platforms. However, various accessories may differ and are application dependent.

Part Number/Price

| Part # | Minebea Part # | Description | Est. Weight | Price |
|--------|----------------|-------------------------------|-------------|------------|
| 102396 | CAISL1-U | IP44 protection rated | 7.5 lb | \$1,370.00 |
| 102398 | CAIS1-U | IP69K protection rated | 7.5 lb | \$1,845.00 |
| 115668 | CAISL1-UV1 | IP44, controller for IS base | 7.5 lb | \$1,919.00 |
| 115671 | CAIS1-UV1 | IP69K, controller for IS base | 7.5 lb | \$2,208.00 |

Options/Accessories

| Part # | Minebea Part # | Description | Price |
|---------------|----------------|--|------------|
| 105607 | YDH02CISUS | Wall mount bracket | \$120.00 |
| 171727 | YDH12CWSUS | Bench mount bracket | \$145.00 |
| 156440 | YDH01CWSUS | Post mount assembly for 10 × 10 in platforms, 13 in high | \$330.00 |
| 156441 | YDH02CWSUS | Post mount assembly for 12 × 12 in platforms, 19 in high | \$340.00 |
| 156442 | YDH03CWSUS | Post mount assembly for 18 × 18 in platforms, 29 in high | \$400.00 |
| 103049 | YAS02MI | 24 V industrial power supply | \$285.00 |
| 162640 | YDO02C-ETH | Ethernet TCP/IP | \$1,075.00 |
| 155826 | YDO02C-AO | Analog output, 0-20 mA, 4-20 mA, 0-10 V | \$1,075.00 |
| 193049 | YDC01CI | Dust cover pack of two | \$100.00 |
| Cables | | | |
| 155804 | YCC05-001M2 | RS-232 9/25-pin D-Sub female, 1.5 m, IP44 | \$160.00 |
| 155805 | YCC01-USBM2 | RS-232 to USB connector, 2 m IP44 | \$280.00 |
| 155806 | YCC02-D25F6 | RS-232 open to 25 D-Sub female | \$295.00 |

Standard Features

- Amber backlit LCD display, 0.8 in
- External calibration routine
- RS-232C
- On/off, zero, tare, print/data keys
- Function keys for: gross/net toggle; three-way unit toggle; 10X higher resolution toggle
- Automatic tare feature
- One scale connection

Specifications

Load Cell Connection:

4 or 6 wire

Excitation Voltage:

9 V

Power Requirements:

120 to 240 VAC, 17 W / 23 VA maximum

Housing:

AISI 304 stainless steel

Dimensions:

(L × W × H)
 11.9 × 7.4 × 3.5 in
 (302 × 188 × 90 mm)

Temperature:

Operating:
 14 °F to 104 °F (-10 °C to 40 °C)

IP Rating:

IP44, IP69K

Net Weight:

5 lb (2.3 kg)

Warranty:

Two-year limited, pending evaluation

PRECISION
INDUSTRIAL WEIGHING



Application Note:

Combics 2 and Combics 3 indicators are designed for use with both Combics, IF and IS series platforms. However, various accessories may differ and are application dependent.

Applications Software Pre-installed:

Counting, checkweighing, differential weighing, percentage weighing, gross-net-tare, sorting, net-total, animal weighing, averaging, totalizing

Part Number/Price

| Part # | Minebea Part # | Description | Est. Weight | Price |
|--------|----------------|-------------------------------|-------------|------------|
| 102402 | CAISL2-U | IP44 protection rated | 7.5 lb | \$1,710.00 |
| 102404 | CAIS2-U | IP69K protection rated | 7.5 lb | \$2,180.00 |
| 115670 | CAISL2-UV1 | IP44, controller for IS base | 7.5 lb | \$2,233.00 |
| 115673 | CAIS2-UV1 | IP69K, controller for IS base | 7.5 lb | \$2,639.00 |

Options/Accessories

| Part # | Minebea Part # | Description | Price |
|---------------|----------------|--|------------|
| 105607 | YDH02CISUS | Wall mount bracket | \$120.00 |
| 171727 | YDH12CWSUS | Bench mount bracket | \$145.00 |
| 156440 | YDH01CWSUS | Post mount assembly for 10 × 10 in platforms, 13 in high | \$330.00 |
| 156441 | YDH02CWSUS | Post mount assembly for 12 × 12 in platforms, 19 in high | \$340.00 |
| 156442 | YDH03CWSUS | Post mount assembly for 18 × 18 in platforms, 29 in high | \$400.00 |
| 103049 | YAS02MI | 24 V industrial power supply | \$285.00 |
| 162640 | YDO02C-ETH | Ethernet TCP/IP | \$1,075.00 |
| 155826 | YDO02C-A0 | Analog output, 0-20 mA, 4-20 mA, 0-10 V | \$1,075.00 |
| 193049 | YDC01CI | Dust cover pack of two | \$100.00 |
| Cables | | | |
| 155804 | YCC05-001M2 | RS-232 9/25-pin D-Sub female, 1.5 m, IP44 | \$160.00 |
| 155805 | YCC01-USBM2 | RS-232 to USB connector, 2 m IP44 | \$280.00 |
| 155806 | YCC02-D25F6 | RS-232 open to 25 D-Sub female | \$295.00 |

Standard Features

- Amber backlit LCD display, 0.8 in, 13-segment
- External calibration routine
- RS-232C
- On/off, zero, tare, print/data keys
- Function keys for: Gross/net toggle; three-way unit toggle; 10X higher resolution toggle
- Numeric keypad with two IDs for entering identifier codes and preset tare
- Info key for quick and easy display of tare input and ID codes
- Date/time fully integrated
- GMP compliant printable record
- NICE Label Express FlexiPrint compatible
- Platform toggling and four function keys
- Three built-in LED checkweighing lights
- Bar graph weighing range indicator
- Application data and totalization memory stored in battery-backed RAM
- Optional bar code scanner for preset tare, reference weight and ID entry
- Stored customer-specific data records
- Optional two scale connections, analog or digital

Specifications

Load Cell Connection:

4 or 6 wire

Excitation Voltage:

9 V

Power Requirements:

120 to 240 VAC, 17 W / 23 VA maximum

Housing:

AISI 304 stainless steel

Dimensions:

(L × W × H)
 11.9 × 7.4 × 3.5 in
 (302 × 188 × 90 mm)

Temperature:

Operating:
 14 °F to 104 °F (-10 °C to 40 °C)

IP Rating:

IP44, IP69K

Net Weight:

5 lb (2.3 kg)

Warranty:

Two-year limited, pending evaluation

PRECISION
INDUSTRIAL WEIGHING

Combics 2 and Combics 3 indicators are designed for use with both Combics, IF and IS series platforms. However, various accessories may differ and are application dependent.

Applications Software Pre-installed:

Counting, checkweighing, differential weighing, percentage weighing, gross-net-tare, sorting, net-total, animal weighing

Custom Applications Packages:

Single component batching BASIC
 Single component batching PRO



Standard Features

- Amber backlit LCD display
- On/off zero, tare, print/data keys
- Function keys for: gross/net toggle; three-way unit toggle; 10X higher resolution toggle
- Keypad with two IDs for entering identifier codes and preset tare
- Info key for quick and easy display of tare input and ID codes
- Date/time fully integrated
- GMP/GLP printable record
- Platform toggling and four function keys
- Three built-in LED checkweighing lights
- Bar graph weighing range indicator
- Application data and totalization memory stored in battery-backed RAM
- Optional bar code scanner for preset tare, reference weight and ID entry
- Stored customer-specific data records
- Key for toggling between weighing applications, and five soft keys with text-supported user guidance
- Input functions for entering up to four alphanumeric ID texts
- Connection for four or six wire load cell

Part Number/Price

| Part # | Minebea Part # | Description | Est. Weight | Price |
|---------|----------------|-------------------------------|-------------|------------|
| 102405 | CAISL3-U | IP44 protection rated | 7.5 lb | \$2,275.00 |
| Consult | CAISL3-UV1 | IP44, controller for IS base | 7.5 lb | \$2,207.00 |
| 102407 | CAIS3-U | IP69K protection rated | 7.5 lb | \$2,740.00 |
| 115674 | CAIS3-UV1 | IP69K, controller for IS base | 7.5 lb | \$3,146.00 |

Options/Accessories

| Part # | Minebea Part # | Description | Price |
|---------------|----------------|--|------------|
| 105607 | YDH02CISUS | Wall mount bracket | \$120.00 |
| 171727 | YDH12CWSUS | Bench mount bracket | \$145.00 |
| 156440 | YDH01CWSUS | Post mount assembly for 10 × 10 in platforms, 13 in high | \$330.00 |
| 156441 | YDH02CWSUS | Post mount assembly for 12 × 12 in platforms, 19 in high | \$340.00 |
| 156442 | YDH03CWSUS | Post mount assembly for 18 × 18 in platforms, 29 in high | \$400.00 |
| 103049 | YAS02MI | 2 V industrial power supply | \$285.00 |
| 155826 | YDO02C-A0 | Analog output, 0-20 mA, 4-20 mA, 0-10 V | \$1,075.00 |
| 162640 | YDO02C-ETH | Ethernet TCP-IP | \$1,075.00 |
| 193049 | YDC01CI | Dust cover pack of two | \$100.00 |
| Cables | | | |
| 155804 | YCC05-001M2 | RS-232 9/25-Pin D-Sub female, 1.5 m, IP44 | \$160.00 |
| 155805 | YCC01-USBM2 | RS-232 to USB connector, 2 m IP44 | \$280.00 |
| 155806 | YCC02-D25F6 | RS-232 open to 25 D-Sub female | \$295.00 |

Specifications

Supply Voltage:
9 V

Power Requirements:
120 to 240 VAC, 17 W/23 VA maximum

Rating/Material:
IP44, IP69K
AISI 304 stainless steel

Dimensions:
(L × W × H)
11.9 × 7.4 × 3.5 in
(302 × 188 × 90 mm)

Temperature:
Operating:
14 °F to 104 °F (-10 °C to 40 °C)

Warranty:
Two-year limited, pending evaluation



Standard Features

- Large, bright LED display
- Traffic light function
- Built-in USB-C and USB-A
- Three LED (yellow, green, red) indicator lights with configurable operation and alert beeper

Specifications

Power:

100 to 240 V, 50/60 Hz AC adapter
 Internal battery, rechargeable lithium battery

Battery Operation Time:

Up to 500 hours continuous use between recharges with 12 hour recharge time

Rating/Material:

ABS housing/stainless steel 304 load plate, IP43

Display:

LCD, up to 1.4 in (35 mm), six-digit, 14-segment, white backlight

Temperature:

Operating:
 14 °F to 104 °F (-10 °C to 40 °C)

Warranty:

Two-year limited, pending evaluation

Part Number/Price

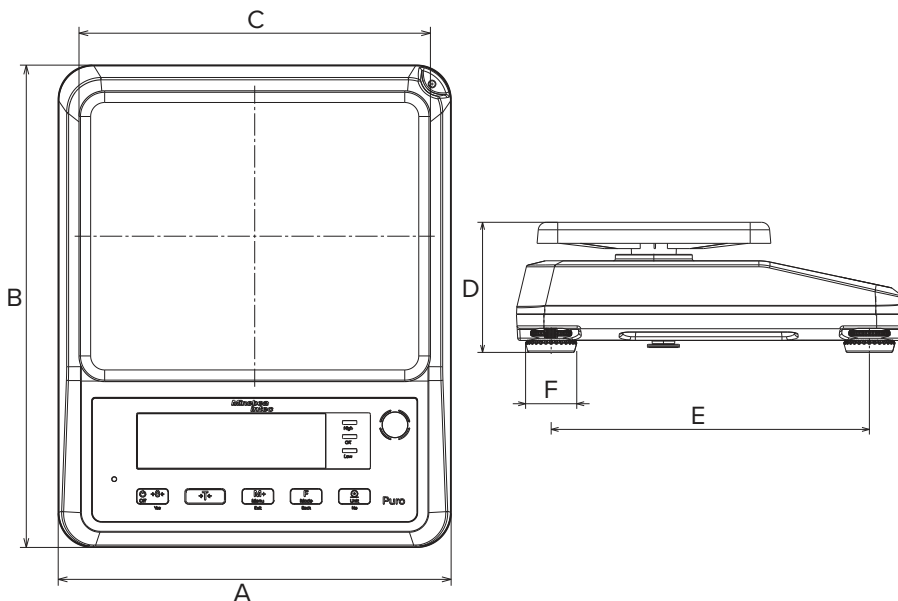
| Part # | Minebea Part # | Description | Price |
|--------|----------------|----------------------------------|----------|
| 218574 | EF-SF2-P1 | 3 × 0.0001 lb (1.5 × 0.00005 kg) | \$450.00 |
| 218575 | EF-SF2-P3 | 6 × 0.0002 lb (3 × 0.0001 kg) | \$450.00 |
| 218576 | EF-SF2-P6 | 15 × 0.0005 lb (6 × 0.0002 kg) | \$450.00 |
| 218577 | EF-SF2-P15 | 30 × 0.001 lb (15 × 0.0005 kg) | \$450.00 |
| 218578 | EF-SF2-P30 | 60 × 0.002 lb (30 × 0.001 kg) | \$450.00 |

Options/Accessories

| Part # | Description | Price |
|--------|---------------------------|---------|
| 218599 | Replacement power adapter | \$87.00 |

Dimensions

| SmallFlat | | | |
|-----------|-------------------|---|------------------|
| A | 9.69 in (246 mm) | D | 3.99 in (101 mm) |
| B | 11.90 in (302 mm) | E | 9.76 in (248 mm) |
| C | 8.67 in (220 mm) | F | 1.57 in (Ø40 mm) |



PRECISION INDUSTRIAL WEIGHING



PRECISION
INDUSTRIAL WEIGHING

Part Number/Price

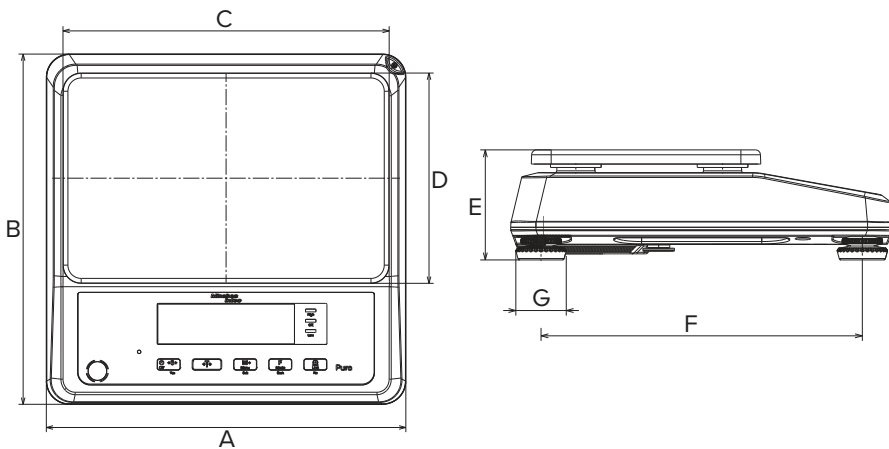
| Part # | Minebea Part # | Description | Price |
|--------|----------------|----------------------------------|----------|
| 218579 | EF-LF2-P1 | 3 × 0.0001 lb (1.5 × 0.00005 kg) | \$632.00 |
| 218580 | EF-LF2-P3 | 6 × 0.0002 lb (3 × 0.0001 kg) | \$632.00 |
| 218581 | EF-LF2-P6 | 15 × 0.0005 lb (6 × 0.0002 kg) | \$632.00 |
| 218582 | EF-LF2-P15 | 30 × 0.001 lb (15 × 0.0005 kg) | \$632.00 |
| 218583 | EF-LF2-P30 | 60 × 0.002 lb (30 × 0.001 kg) | \$632.00 |

Options/Accessories

| Part # | Description | Price |
|--------|---------------------------|---------|
| 218599 | Replacement power adapter | \$87.00 |

Dimensions

| LargeFlat | | | |
|-----------|-------------------|---|-------------------|
| A | 12.21 in (310 mm) | E | 3.43 in (87 mm) |
| B | 11.90 in (302 mm) | F | 10.00 in (254 mm) |
| C | 11.08 in (281 mm) | G | 1.57 in (Ø40 mm) |
| D | 7.14 in (181 mm) | | |



Standard Features

- Large, bright LED display
- Traffic light function
- Built-in RS-232, USB-C and USB-A
- Three LED (yellow, green, red) indicator lights with configurable operation and alert beeper
- Smart connectivity and application packages

Specifications

Power:

100 to 240 V, 50/60 Hz AC adapter
 Internal battery, rechargeable lithium battery

Battery Operation Time:

Up to 500 hours continuous use between recharges with 12 hour recharge time

Rating/Material:

ABS housing/stainless steel 304 load plate, IP43

Display:

LCD, up to 1.4 in (35 mm), six-digit, 14-segment, white backlight

Temperature:

Operating:
 14 °F to 104 °F (-10 °C to 40 °C)

Warranty:

Two-year limited, pending evaluation



Standard Features

- Large front and rear display
- Traffic light function
- Battery powered
- Built-in USB-C and USB-A

Specifications

Power:

100 to 240 V, 50/60 Hz AC adapter
 Internal battery, rechargeable lithium battery

Battery Operation Time:

Up to 500 hours continuous use between recharges
 with 12 hour recharge time

Rating/Material:

ABS housing/stainless steel 304 load plate, IP43

Display:

Front and rear LCD, up to 1.4 in (35 mm), six-digit,
 14-segment, white backlight

Temperature:

Operating:
 14 °F to 104 °F (-10 °C to 40 °C)

Warranty:

Two-year limited, pending evaluation

Part Number/Price

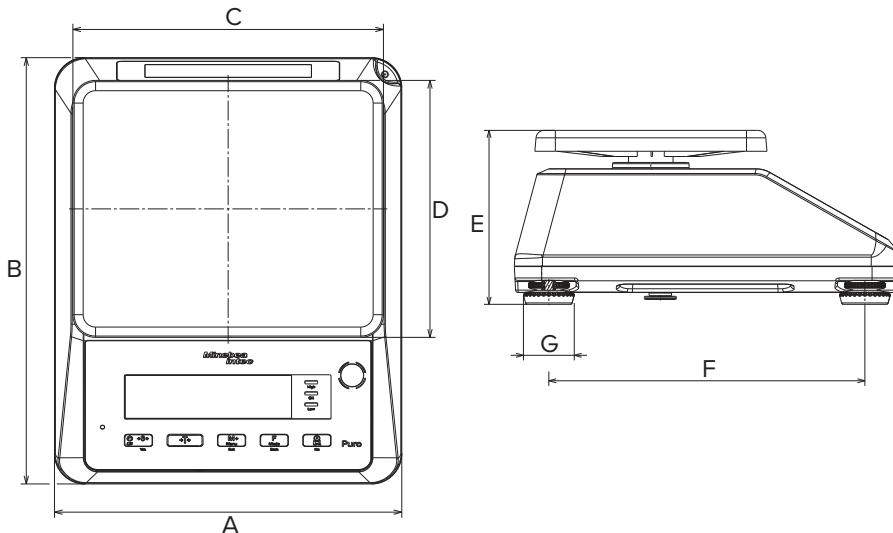
| Part # | Minebea PN | Description | Price |
|--------|------------|----------------------------------|----------|
| 218584 | EF-ST2-P1 | 3 × 0.0001 lb (1.5 × 0.00005 kg) | \$542.00 |
| 218585 | EF-ST2-P3 | 6 × 0.0002 lb (3 × 0.0001 kg) | \$542.00 |
| 218586 | EF-ST2-P6 | 15 × 0.0005 lb (6 × 0.0002 kg) | \$542.00 |
| 218587 | EF-ST2-P15 | 30 × 0.001 lb (15 × 0.0005 kg) | \$542.00 |
| 218588 | EF-ST2-P30 | 60 × 0.002 lb (30 × 0.001 kg) | \$542.00 |

Options/Accessories

| Part # | Description | Price |
|--------|---------------------------|---------|
| 218599 | Replacement power adapter | \$87.00 |

Dimensions

| SmallTall | |
|-----------|-------------------|
| A | 9.69 in (246 mm) |
| B | 11.90 in (302 mm) |
| C | 8.67 in (220 mm) |
| D | 7.17 in (182 mm) |
| E | 5.43 in (138 mm) |
| F | 9.76 in (248 mm) |
| G | 1.57 in (Ø40 mm) |



PRECISION INDUSTRIAL WEIGHING



Standard Features

- Large front and rear display
- Traffic light function
- Battery powered
- Built-in USB-C

Specifications

Power:

100 to 240 V, 50/60 Hz AC adapter
 Internal battery, rechargeable lithium battery

Battery Operation Time:

Up to 500 hours continuous use between recharges with 12 hour recharge time

Rating/Material:

ABS housing/stainless steel 304 load plate, IP43

Display:

Front and rear LCD, up to 1.4 in (35 mm), six-digit, 14-segment, white backlight

Temperature:

Operating:
 14 °F to 104 °F (-10 °C to 40 °C)

Warranty:

Two-year limited, pending evaluation

Part Number/Price

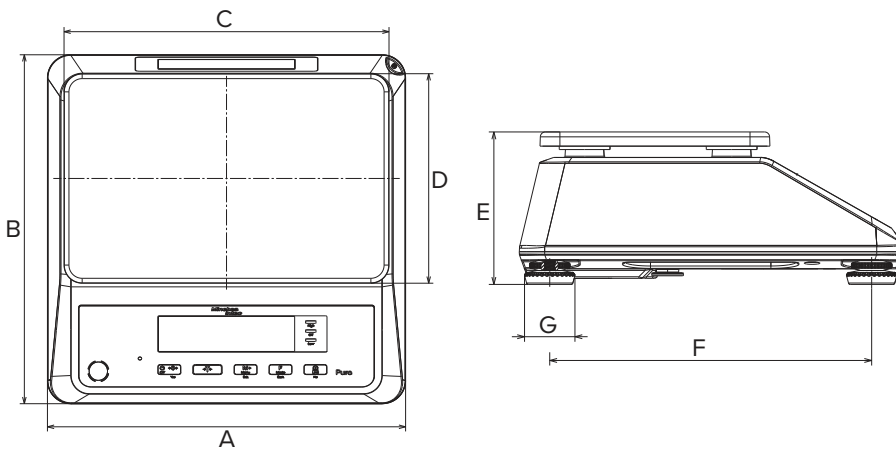
| Part # | Minebea Part # | Description | Price |
|--------|----------------|----------------------------------|----------|
| 218589 | EF-LT2-P1 | 3 × 0.0001 lb (1.5 × 0.00005 kg) | \$697.00 |
| 218590 | EF-LT2-P3 | 6 × 0.0002 lb (3 × 0.0001 kg) | \$697.00 |
| 218591 | EF-LT2-P6 | 15 × 0.0005 lb (6 × 0.0002 kg) | \$697.00 |
| 218592 | EF-LT2-P15 | 30 × 0.001 lb (15 × 0.0005 kg) | \$697.00 |
| 218593 | EF-LT2-P30 | 60 × 0.002 lb (30 × 0.001 kg) | \$697.00 |

Options/Accessories

| Part # | Description | Price |
|--------|---------------------------|---------|
| 218599 | Replacement power adapter | \$87.00 |

Dimensions

| LargeTall | | | |
|-----------|-------------------|---|-------------------|
| A | 12.21 in (310 mm) | E | 4.76 in (121 mm) |
| B | 11.90 in (302 mm) | F | 10.00 in (254 mm) |
| C | 11.08 in (281 mm) | G | 1.57 in (Ø40 mm) |
| D | 7.14 in (181 mm) | | |





Standard Features

- Three large front displays
- Traffic light function
- Battery powered
- Easy charging via USB-C
- Built-in second ADC

Specifications

Power:

100 to 240 V, 50/60 Hz AC adapter
 Internal battery, rechargeable lithium battery

Battery Operation Time:

Up to 500 hours continuous use between recharges
 with 12 hour recharge time

Rating/Material:

ABS housing/stainless steel 304 load plate, IP43

Display:

Three windows, LCD, up to 1.4 in (35 mm), six-digit,
 14-segment, white backlight

Temperature:

Operating:
 14 °F to 104 °F (-10 °C to 40 °C)

Warranty:

Two-year limited, pending evaluation

PRECISION
INDUSTRIAL WEIGHING

Part Number/Price

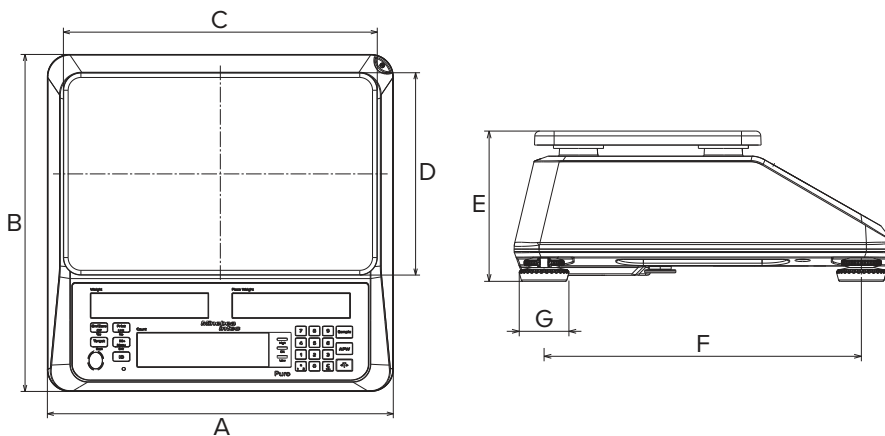
| Part # | Minebea Part # | Description | Price |
|--------|----------------|----------------------------------|----------|
| 218594 | EF-LT-3-P1 | 3 × 0.0001 lb (1.5 × 0.00005 kg) | \$749.00 |
| 218595 | EF-LT-3-P3 | 6 × 0.0002 lb (3 × 0.0001 kg) | \$749.00 |
| 218596 | EF-LT-3-P6 | 15 × 0.0005 lb (6 × 0.0002 kg) | \$749.00 |
| 218597 | EF-LT-3-P15 | 30 × 0.001 lb (15 × 0.0005 kg) | \$749.00 |
| 218598 | EF-LT-3-P30 | 60 × 0.002 lb (30 × 0.001 kg) | \$749.00 |

Options/Accessories

| Part # | Description | Price |
|--------|---------------------------|---------|
| 218599 | Replacement power adapter | \$87.00 |

Dimensions

| LargeCount | |
|---------------------|---------------------|
| A 12.21 in (310 mm) | E 4.74 in (120 mm) |
| B 11.90 in (302 mm) | F 10.00 in (254 mm) |
| C 11.08 in (281 mm) | G 1.57 in (Ø40 mm) |
| D 7.14 in (181 mm) | |





Standard Features

- One or four load cells (as noted)
- NTEP Certified (up to 5,000e) and capable of up to 30,000d for non-NTEP
- Compatible with all Rice Lake and Combics indicators (30,000 d not guaranteed with Rice Lake instrumentation)

Optional Configurations:

- Complete selection of pit frames for flush mounting available
- R2 - electropolished 316T, stainless steel
- T1 - pressure lift system (only available for II platforms and larger)
- Drive-on ramps
- Pit frame
- Mild steel painted or 304 stainless steel
- 304 stainless steel platters

Specifications

Cable Length:

10 ft/3 m-up to 1,000 lb 30 × 30 in
20 ft/6 m 1,000 lb and above 36 × 36 in

Temperature:

Operating:
14 °F to 104 °F (-10 °C to 40 °C)

Height:

Adjustable feet

Warranty:

Two-year limited, pending evaluation

Part Number/Price

| Part # | Minebea Part # | Dimensions | Foot Adjustable Height | # Load Cells | Capacity Readability | Capacity Readability | Est. Weight | Price |
|------------------------|------------------|-----------------|------------------------|--------------|----------------------|----------------------|-------------|-------------|
| Painted Steel | | | | | | | | |
| 102285 | CAPP1U-10CC-LU | 10 × 10 in | 2.7 to 3.6 in | 1 | 15 lb | 0.0005 lb | 14 kg | \$900.00 |
| 102286 | CAPP1U-20CC-LU | 10 × 10 in | 2.7 to 3.6 in | 1 | 30 lb | 0.001 lb | 14 kg | \$900.00 |
| 102287 | CAPP1U-50CC-LU | 10 × 10 in | 2.7 to 3.6 in | 1 | 60 lb | 0.002 lb | 14 kg | \$900.00 |
| 102288 | CAPP1U-50DD-LU | 12 × 12 in | 3.6 to 4.5 in | 1 | 60 lb | 0.002 lb | 18 kg | \$1,020.00 |
| 102291 | CAPP1U-100DD-LU | 12 × 12 in | 3.6 to 4.5 in | 1 | 150 lb | 0.005 lb | 18 kg | \$1,000.00 |
| 102289 | CAPP1U-50EE-LU | 18 × 18 in | 3.5 to 4.4 in | 1 | 60 lb | 0.002 lb | 64 kg | \$1,500.00 |
| 102292 | CAPP1U-100EE-LU | 18 × 18 in | 3.5 to 4.4 in | 1 | 150 lb | 0.005 lb | 64 kg | \$1,500.00 |
| 102297 | CAPP1U-200EE-LU | 18 × 18 in | 3.5 to 4.4 in | 1 | 200 lb | 0.01 lb | 64 kg | \$1,500.00 |
| 102294 | CAPP1U-100GG-LU | 24 × 24 in | 5.7 to 6.7 in | 1 | 150 lb | 0.005 lb | 121 kg | \$3,200.00 |
| 102299 | CAPP1U-250GG-LU | 24 × 24 in | 5.9 to 6.4 in | 1 | 300 lb | 0.01 lb | 121 kg | \$3,200.00 |
| 102302 | CAPP1U-500GG-LU | 24 × 24 in | 5.7 to 6.7 in | 1 | 600 lb | 0.02 lb | 121 kg | \$3,200.00 |
| 102296 | CAPP1U-100HH-LU | 30 × 30 in | 5.71 to 6.71 in | 1 | 150 lb | 0.005 lb | 187 kg | \$4,000.00 |
| 102301 | CAPP1U-250HH-LU | 30 × 30 in | 5.71 to 6.71 in | 1 | 300 lb | 0.01 lb | 187 kg | \$4,000.00 |
| 102304 | CAPP1U-500HH-LU | 30 × 30 in | 5.71 to 6.71 in | 1 | 600 lb | 0.02 lb | 187 kg | \$4,000.00 |
| 102306 | CAPP1U-1000HH-LU | 30 × 30 in | 5.71 to 6.71 in | 1 | 1,500 lb | 0.05 lb | 187 kg | \$4,000.00 |
| Pit Frames | | | | | | | | |
| 104313 | YEG-HG-PUS | 30 × 24 in (HG) | | | | | | \$1,105.00 |
| 104315 | YPF01KKP-MUS | 36 × 36 in (KK) | | | | | | \$1,210.00 |
| Stainless Steel | | | | | | | | |
| 102429 | CAPS1U-10CC-LU | 10 × 10 in | 2.6 to 3.4 in | 1 | 15 lb | 0.0005 lb | 16 lb | \$1,350.00 |
| 102430 | CAPS1U-20CC-LU | 10 × 10 in | 2.6 to 3.4 in | 1 | 30 lb | 0.001 lb | 16 lb | \$1,350.00 |
| 102431 | CAPS1U-50CC-LU | 10 × 10 in | 2.6 to 3.4 in | 1 | 60 lb | 0.002 lb | 16 lb | \$1,350.00 |
| 102432 | CAPS1U-50DD-LU | 12 × 12 in | 3.3 to 4.4 in | 1 | 60 lb | 0.002 lb | 24 lb | \$1,500.00 |
| 102433 | CAPS1U-100DD-LU | 12 × 12 in | 3.5 to 4.4 in | 1 | 150 lb | 0.005 lb | 24 lb | \$1,515.00 |
| 102434 | CAPS1U-50EE-LU | 18 × 18 in | 3.5 to 4.4 in | 1 | 60 lb | 0.002 lb | 62 lb | \$2,000.00 |
| 102435 | CAPS1U-100EE-LU | 18 × 18 in | 3.5 to 4.4 in | 1 | 150 lb | 0.005 lb | 62 lb | \$2,000.00 |
| 102436 | CAPS1U-200EE-LU | 18 × 18 in | 3.5 to 4.4 in | 1 | 200 lb | 0.01 lb | 62 lb | \$2,000.00 |
| 102458 | CAPS4U-100GG-LU | 24 × 24 in | 3.4 to 3.6 in | 4 | 150 lb | 0.005 lb | 121 lb | \$6,600.00 |
| 102460 | CAPS4U-250GG-LU | 24 × 24 in | 3.4 to 3.6 in | 4 | 300 lb | 0.01 lb | 121 lb | \$6,740.00 |
| 102461 | CAPS4U-500GG-LU | 24 × 24 in | 3.4 to 3.6 in | 4 | 600 lb | 0.02 lb | 121 lb | \$6,740.00 |
| 102466 | CAPS4U-100HH-LU | 30 × 30 in | 3.4 to 3.6 in | 4 | 150 lb | 0.005 lb | 187 lb | \$7,330.00 |
| 102467 | CAPS4U-250HH-LU | 30 × 30 in | 3.4 to 3.6 in | 4 | 300 lb | 0.01 lb | 187 lb | \$7,330.00 |
| 102468 | CAPS4U-500HH-LU | 30 × 30 in | 3.4 to 3.6 in | 4 | 600 lb | 0.02 lb | 187 lb | \$7,330.00 |
| 102474 | CAPS4U-2500NN-LU | 48 × 48 in | 3.5 in | 4 | 3,000 lb | 0.1 lb | 390 lb | \$10,530.00 |
| 102475 | CAPS4U-5000NN-LU | 48 × 48 in | 3.5 in | 4 | 6,000 lb | 0.2 lb | 390 lb | \$6,901.00 |
| Pit Frames | | | | | | | | |
| 104322 | YEG-HH-SUS | 30 × 30 in (HH) | | | | | | \$2,900.00 |
| 104323 | YPF01KKT-MUS | 36 × 36 in (KK) | | | | | | \$3,165.00 |
| 104324 | YPF01NNT-MUS | 48 × 48 in (NN) | | | | | | \$3,800.00 |



Does not represent standard models
 (This is the stainless version shown with additional optional features)

Specifications

- Cable Length:**
6 m (19.7 ft)
- IP Rating:**
IP65
- Regulatory Compliance:**
HACCP, FDA
- Warranty:**
Two-year limited, pending evaluation

Standard Features

- Various options for portability utilizing unique MoveLine weighing platform
- Four strain gauge stainless steel load cells ensure precise results
- Ultra low profile: standard platform height
- Material/surface finish: mild steel powder coated
- Resolution: scale intervals of 15,000 d or 30,000 d
- Drive-on ramp included with every platform
- No pit required
- NEMA Type 4 dust and water protection

Applications

- Pharmaceutical, chemical, electronics, food processing, precious metals, metal production and processing

Optional Configurations

- T14: Integrated column
- T4: Stop bar
- T15: Second ramp

Part Number/Price

| Part # | Minebea Part # | Weighing Surface Dimensions | Platform Height | # Load Cells | Capacity Readability | Capacity Readability | Capacity Readability | Est. Weight | Price |
|--------|----------------|-----------------------------|-----------------|--------------|----------------------|----------------------|----------------------|-------------|--------------------|
| 100970 | IFP4-150GG | 23.6 × 23.6 in | 25 mm | 4 | 330 lb | 0.01 lb | 150 kg | 0.005 kg | 198 lb \$10,500.00 |
| 100973 | IFP4-300GG | 23.6 × 23.6 in | 25 mm | 4 | 660 lb | 0.02 lb | 300 kg | 0.01 kg | 198 lb \$10,500.00 |
| 100974 | IFP4-600GG | 23.6 × 23.6 in | 25 mm | 4 | 1,320 lb | 0.05 lb | 600 kg | 0.02 kg | 198 lb \$10,500.00 |
| 100975 | IFP4-1000GG | 23.6 × 23.6 in | 25 mm | 4 | 2,200 lb | 0.1 lb | 1,000 kg | 0.05 kg | 198 lb \$10,500.00 |
| 100984 | IFP4-150IG | 31.5 × 23.6 in | 25 mm | 4 | 3,30 lb | 0.01 lb | 150 kg | 0.005 kg | 221 lb \$10,650.00 |
| 100986 | IFP4-300IG | 31.5 × 23.6 in | 25 mm | 4 | 660 lb | 0.02 lb | 300 kg | 0.01 kg | 221 lb \$10,650.00 |
| 100987 | IFP4-600IG | 31.5 × 23.6 in | 25 mm | 4 | 1,320 lb | 0.05 lb | 600 kg | 0.02 kg | 221 lb \$10,650.00 |
| 100988 | IFP4-1000IG | 31.5 × 23.6 in | 25 mm | 4 | 2,200 lb | 0.1 lb | 1,000 kg | 0.05 kg | 221 lb \$10,650.00 |
| 100991 | IFP4-150II | 31.5 × 31.5 in | 25 mm | 4 | 330 lb | 0.01 lb | 150 kg | 0.005 kg | 243 lb \$10,750.00 |
| 100992 | IFP4-300II | 31.5 × 31.5 in | 25 mm | 4 | 660 lb | 0.02 lb | 300 kg | 0.01 kg | 243 lb \$10,750.00 |
| 100993 | IFP4-600II | 31.5 × 31.5 in | 25 mm | 4 | 1,320 lb | 0.05 lb | 600 kg | 0.02 kg | 243 lb \$10,750.00 |
| 100994 | IFP4-1000II | 31.5 × 31.5 in | 25 mm | 4 | 2,200 lb | 0.1 lb | 1,000 kg | 0.05 kg | 243 lb \$10,750.00 |
| 100995 | IFP4-1500II | 31.5 × 31.5 in | 25 mm | 4 | 3,300 lb | 0.1 lb | 1,500 kg | 0.05 kg | 243 lb \$10,750.00 |
| 101005 | IFP4-150LG | 39.4 × 23.6 in | 25 mm | 4 | 330 lb | 0.01 lb | 150 kg | 0.005 kg | 243 lb \$10,750.00 |
| 101006 | IFP4-300LG | 39.4 × 23.6 in | 25 mm | 4 | 660 lb | 0.02 lb | 300 kg | 0.01 kg | 243 lb \$10,750.00 |
| 101007 | IFP4-600LG | 39.4 × 23.6 in | 25 mm | 4 | 1,320 lb | 0.05 lb | 600 kg | 0.02 kg | 243 lb \$10,750.00 |
| 101008 | IFP4-1000LG | 39.4 × 23.6 in | 25 mm | 4 | 2,200 lb | 0.1 lb | 1,000 kg | 0.05 kg | 243 lb \$10,750.00 |
| 101009 | IFP4-1500LG | 39.4 × 23.6 in | 25 mm | 4 | 3,300 lb | 0.1 lb | 1,500 kg | 0.05 kg | 243 lb \$10,750.00 |
| 101010 | IFP4-150LI | 39.4 × 31.5 in | 25 mm | 4 | 330 lb | 0.01 lb | 150 kg | 0.005 kg | 265 lb \$10,880.00 |
| 101011 | IFP4-300LI | 39.4 × 31.5 in | 25 mm | 4 | 660 lb | 0.02 lb | 300 kg | 0.01 kg | 265 lb \$10,880.00 |
| 101012 | IFP4-600LI | 39.4 × 31.5 in | 25 mm | 4 | 1,320 lb | 0.05 lb | 600 kg | 0.02 kg | 265 lb \$10,880.00 |
| 101013 | IFP4-1000LI | 39.4 × 31.5 in | 25 mm | 4 | 2,200 lb | 0.1 lb | 1,000 kg | 0.05 kg | 265 lb \$10,880.00 |
| 101014 | IFP4-1500LI | 39.4 × 31.5 in | 35 mm | 4 | 3,300 lb | 0.1 lb | 1,500 kg | 0.05 kg | 265 lb \$10,880.00 |
| 101015 | IFP4-150LL | 39.4 × 39.4 in | 25 mm | 4 | 330 lb | 0.01 lb | 150 kg | 0.005 kg | 375 lb \$11,560.00 |

PRECISION INDUSTRIAL WEIGHING

Part Number/Price

| Part # | Minebea Part # | Weighing Surface Dimensions | Platform Height | # Load Cells | Capacity Readability | Capacity Readability | Capacity Readability | Est. Weight | Price | |
|--------|----------------|-----------------------------|-----------------|--------------|----------------------|----------------------|----------------------|-------------|--------|-------------|
| 101016 | IFP4-300LL | 39.4 × 39.4 in | 25 mm | 4 | 660 lb | 0.02 | 300 kg | 0.01 | 375 lb | \$11,560.00 |
| 101017 | IFP4-600LL | 39.4 × 39.4 in | 25 mm | 4 | 1,320 lb | 0.05 | 600 kg | 0.02 | 375 lb | \$11,560.00 |
| 101018 | IFP4-1000LL | 39.4 × 39.4 in | 25 mm | 4 | 2,200 lb | 0.1 | 1,000 kg | 0.05 | 375 lb | \$11,560.00 |
| 101019 | IFP4-1500LL | 39.4 × 39.4 in | 35 mm | 4 | 3,300 lb | 0.1 | 1,500 kg | 0.05 | 376 lb | \$11,560.00 |
| 101020 | IFP4-3000LL | 39.4 × 39.4 in | 45 mm | 4 | 6,600 lb | 0.2 | 3,000 kg | 0.1 | 376 lb | \$11,560.00 |
| 101021 | IFP4-150NL | 49.2 × 39.4 in | 25 mm | 4 | 330 lb | 0.01 | 150 kg | 0.005 | 397 lb | \$11,765.00 |
| 101022 | IFP4-300NL | 49.2 × 39.4 in | 25 mm | 4 | 660 lb | 0.02 | 300 kg | 0.01 | 397 lb | \$11,765.00 |
| 101023 | IFP4-600NL | 49.2 × 39.4 in | 25 mm | 4 | 1,320 lb | 0.05 | 600 kg | 0.02 | 397 lb | \$11,765.00 |
| 101024 | IFP4-1000NL | 49.2 × 39.4 in | 25 mm | 4 | 2,200 lb | 0.1 | 1,000 kg | 0.05 | 397 lb | \$11,765.00 |
| 101025 | IFP4-1500NL | 49.2 × 39.4 in | 35 mm | 4 | 3,300 lb | 0.1 | 1,500 kg | 0.05 | 397 lb | \$11,765.00 |
| 101026 | IFP4-3000NL | 49.2 × 39.4 in | 45 mm | 4 | 6,600 lb | 0.2 | 3,000 kg | 0.1 | 397 lb | \$11,765.00 |
| 101027 | IFP4-150NN | 49.2 × 49.2 in | 25 mm | 4 | 330 lb | 0.01 | 150 kg | 0.005 | 481 lb | \$12,200.00 |
| 101028 | IFP4-300NN | 49.2 × 49.2 in | 25 mm | 4 | 660 lb | 0.02 | 300 kg | 0.01 | 481 lb | \$12,200.00 |
| 101029 | IFP4-600NN | 49.2 × 49.2 in | 35 mm | 4 | 1,320 lb | 0.05 | 600 kg | 0.02 | 481 lb | \$12,200.00 |
| 101030 | IFP4-1000NN | 49.2 × 49.2 in | 35 mm | 4 | 2,200 lb | 0.1 | 1,000 kg | 0.05 | 481 lb | \$12,200.00 |
| 101031 | IFP4-1500NN | 49.2 × 49.2 in | 35 mm | 4 | 3,300 lb | 0.1 | 1,500 kg | 0.05 | 481 lb | \$12,200.00 |
| 101032 | IFP4-3000NN | 49.2 × 49.2 in | 45 mm | 4 | 6,600 lb | 0.2 | 3,000 kg | 0.1 | 481 lb | \$12,200.00 |
| 101033 | IFP4-150RN | 59.1 × 49.2 in | 25 mm | 4 | 330 lb | 0.01 | 150 kg | 0.005 | 547 lb | \$12,820.00 |
| 101034 | IFP4-300RN | 59.1 × 49.2 in | 25 mm | 4 | 660 lb | 0.02 | 300 kg | 0.01 | 547 lb | \$12,820.00 |
| 101035 | IFP4-600RN | 59.1 × 49.2 in | 35 mm | 4 | 1,320 lb | 0.05 | 600 kg | 0.02 | 547 lb | \$12,820.00 |
| 101036 | IFP4-1000RN | 59.1 × 49.2 in | 35 mm | 4 | 2,200 lb | 0.1 | 1,000 kg | 0.05 | 547 lb | \$12,820.00 |
| 101037 | IFP4-1500RN | 59.1 × 49.2 in | 35 mm | 4 | 3,300 lb | 0.1 | 1,500 kg | 0.05 | 547 lb | \$12,820.00 |
| 101038 | IFP4-3000RN | 59.1 × 49.2 in | 45 mm | 4 | 6,600 lb | 0.2 | 3,000 kg | 0.1 | 547 lb | \$12,820.00 |
| 101039 | IFP4-150RR | 59.1 × 59.1 in | 35 mm | 4 | 330 lb | 0.01 | 150 kg | 0.005 | 628 lb | \$13,500.00 |
| 101040 | IFP4-300RR | 59.1 × 59.1 in | 35 mm | 4 | 660 lb | 0.02 | 300 kg | 0.01 | 628 lb | \$13,500.00 |
| 101041 | IFP4-600RR | 59.1 × 59.1 in | 35 mm | 4 | 1,320 lb | 0.05 | 600 kg | 0.02 | 628 lb | \$13,500.00 |
| 101042 | IFP4-1000RR | 59.1 × 59.1 in | 45 mm | 4 | 2,200 lb | 0.1 | 1,000 kg | 0.05 | 628 lb | \$13,500.00 |
| 101043 | IFP4-1500RR | 59.1 × 59.1 in | 45 mm | 4 | 3,300 lb | 0.1 | 1,500 kg | 0.05 | 628 lb | \$13,500.00 |
| 101044 | IFP4-3000RR | 59.1 × 59.1 in | 45 mm | 4 | 6,600 lb | 0.2 | 3,000 kg | 0.1 | 628 lb | \$13,500.00 |
| 101045 | IFP4-150WR | 78.7 × 59.1 in | 35 mm | 4 | 330 lb | 0.01 | 150 kg | 0.005 | 739 lb | \$13,920.00 |
| 101046 | IFP4-300WR | 78.7 × 59.1 in | 35 mm | 4 | 660 lb | 0.02 | 300 kg | 0.01 | 739 lb | \$13,920.00 |
| 101047 | IFP4-600WR | 78.7 × 59.1 in | 35 mm | 4 | 1,320 lb | 0.05 | 600 kg | 0.02 | 739 lb | \$13,920.00 |
| 101048 | IFP4-1000WR | 78.7 × 59.1 in | 45 mm | 4 | 2,200 lb | 0.1 | 1,000 kg | 0.05 | 739 lb | \$13,920.00 |
| 101049 | IFP4-1500WR | 78.7 × 59.1 in | 45 mm | 4 | 3,300 lb | 0.1 | 1,500 kg | 0.05 | 739 lb | \$13,920.00 |
| 101050 | IFP4-3000WR | 78.7 × 59.1 in | 45 mm | 4 | 6,600 lb | 0.2 | 3,000 kg | 0.1 | 739 lb | \$13,920.00 |

PRECISION
INDUSTRIAL WEIGHING

Options/Accessories

| Part # | Description | Price |
|---------|--|---------|
| T4 | Stop bar | Consult |
| T5 | Tow bar | Consult |
| T6 | Two handles and two rollers | Consult |
| T7 | Retractable wheels (not available with the GG and IG models) | Consult |
| T9 | Bottom plate | Consult |
| L6 | IP69K kit | Consult |
| T13 | Four handles | Consult |
| T14 | Integrated column | Consult |
| T15 | 2nd ramp | Consult |
| Consult | Pressure lift (not available for 30,000d models) | Consult |



Does not represent standard models (Shown with additional optional features)

Specifications

Load Cells:

Four hermetically sealed IP68

Regulatory Compliance:

HACCP, FDA, Class 10,000 clean rooms (US Federal Standard 209D)

IP Rating:

IP68

Cable Length:

6 m (19.7 ft)

Warranty:

Two-year limited, pending evaluation

Standard Features

- Capacities from 330 to 6,614 lb with resolutions up to 30,000 d
- Various portability options utilizing the unique MoveLine weighing platform
- Ultra low profile: standard platform height
- Material/surface finish: 304 bead-blasted stainless steel
- Drive-on ramp included with every platform
- No pit required
- Convenient for application-oriented weighing systems from processing to the chemical industry
- All units built for easy cleaning and disinfection to meet HACCP and FDA requirements for the food/ pharmaceutical industries

Optional Configurations

- L6: IP69K kit
- T4: Stop bar
- T9: Bottom plate
- T5: Towing bar
- T6: Two handles, two rollers
- T13: Four handles
- T14: Integrated column
- T15: 2nd ramp
- Pressure lift (not available for 30,000 d models)

Note: Consult factory for lifting device options and compatibility of combined options

Applications

- Pharmaceutical, chemical, electronics, food processing, precious metals, metal production and processing

Part Number/Price

| Part # | Minebea Part # | Weighing Surface Dimensions | Platform Height | # Load Cells | Capacity Readability | Capacity Readability | Capacity Readability | Est. Weight | Price | |
|--------|----------------|-----------------------------|-----------------|--------------|----------------------|----------------------|----------------------|-------------|--------|-------------|
| 101266 | IFS4-150GG | 23.6 × 23.6 in | 25 mm | 4 | 330 lb | 0.01 lb | 150 kg | 0.005 kg | 198 lb | \$15,900.00 |
| 101267 | IFS4-300GG | 23.6 × 23.6 in | 25 mm | 4 | 660 lb | 0.02 lb | 300 kg | 0.01 kg | 198 lb | \$15,900.00 |
| 101268 | IFS4-600GG | 23.6 × 23.6 in | 25 mm | 4 | 1,320 lb | 0.05 lb | 600 kg | 0.02 kg | 198 lb | \$15,900.00 |
| 101269 | IFS4-1000GG | 23.6 × 23.6 in | 25 mm | 4 | 2,200 lb | 0.1 lb | 1,000 kg | 0.05 kg | 198 lb | \$15,900.00 |
| 101270 | IFS4-150IG | 31.5 × 23.6 in | 25 mm | 4 | 330 lb | 0.01 lb | 150 kg | 0.005 kg | 221 lb | \$16,160.00 |
| 101274 | IFS4-300IG | 31.5 × 23.6 in | 25 mm | 4 | 660 lb | 0.02 lb | 300 kg | 0.01 kg | 221 lb | \$16,160.00 |
| 101275 | IFS4-600IG | 31.5 × 23.6 in | 25 mm | 4 | 1,320 lb | 0.05 lb | 600 kg | 0.02 kg | 221 lb | \$16,160.00 |
| 101279 | IFS4-1000IG | 31.5 × 23.6 in | 25 mm | 4 | 2,200 lb | 0.1 lb | 1,000 kg | 0.05 kg | 221 lb | \$16,160.00 |
| 101281 | IFS4-150II | 31.5 × 31.5 in | 25 mm | 4 | 330 lb | 0.01 lb | 150 kg | 0.005 kg | 243 lb | \$16,430.00 |
| 101282 | IFS4-300II | 31.5 × 31.5 in | 25 mm | 4 | 660 lb | 0.02 lb | 300 kg | 0.01 kg | 243 lb | \$16,430.00 |
| 101283 | IFS4-600II | 31.5 × 31.5 in | 25 mm | 4 | 1,320 lb | 0.05 lb | 600 kg | 0.02 kg | 243 lb | \$16,430.00 |
| 101284 | IFS4-1000II | 31.5 × 31.5 in | 25 mm | 4 | 2,200 lb | 0.1 lb | 1,000 kg | 0.05 kg | 243 lb | \$16,430.00 |
| 101285 | IFS4-1500II | 31.5 × 31.5 in | 25 mm | 4 | 3,300 lb | 0.1 lb | 1,500 kg | 0.05 kg | 243 lb | \$16,430.00 |
| 101286 | IFS4-150LG | 39.4 × 23.6 in | 25 mm | 4 | 330 lb | 0.01 lb | 150 kg | 0.005 kg | 243 lb | \$16,980.00 |
| 101287 | IFS4-300LG | 39.4 × 23.6 in | 25 mm | 4 | 660 lb | 0.02 lb | 300 kg | 0.01 kg | 243 lb | \$16,980.00 |
| 101288 | IFS4-600LG | 39.4 × 23.6 in | 25 mm | 4 | 1,320 lb | 0.05 lb | 600 kg | 0.02 kg | 243 lb | \$16,980.00 |
| 101289 | IFS4-1000LG | 39.4 × 23.6 in | 25 mm | 4 | 2,200 lb | 0.1 lb | 1,000 kg | 0.05 kg | 243 lb | \$16,980.00 |
| 101290 | IFS4-1500LG | 39.4 × 23.6 in | 25 mm | 4 | 3,300 lb | 0.1 lb | 1,500 kg | 0.05 kg | 243 lb | \$16,980.00 |
| 101291 | IFS4-150LI | 39.4 × 31.5 in | 25 mm | 4 | 330 lb | 0.01 lb | 150 kg | 0.005 kg | 265 lb | \$17,560.00 |
| 101293 | IFS4-300LI | 39.4 × 31.5 in | 25 mm | 4 | 660 lb | 0.02 lb | 300 kg | 0.01 kg | 265 lb | \$17,560.00 |
| 101294 | IFS4-600LI | 39.4 × 31.5 in | 25 mm | 4 | 1,320 lb | 0.05 lb | 600 kg | 0.02 kg | 265 lb | \$17,560.00 |
| 101295 | IFS4-1000LI | 39.4 × 31.5 in | 25 mm | 4 | 2,200 lb | 0.1 lb | 1,000 kg | 0.05 kg | 265 lb | \$17,560.00 |
| 101296 | IFS4-1500LI | 39.4 × 31.5 in | 35 mm | 4 | 3300 lb | 0.1 lb | 1,500 kg | 0.05 kg | 265 lb | \$17,560.00 |
| 101304 | IFS4-150LL | 39.4 × 39.4 in | 25 mm | 4 | 330 lb | 0.01 lb | 150 kg | 0.005 kg | 375 lb | \$18,380.00 |
| 101305 | IFS4-300LL | 39.4 × 39.4 in | 25 mm | 4 | 660 lb | 0.02 lb | 300 kg | 0.01 kg | 375 lb | \$18,380.00 |
| 101306 | IFS4-600LL | 39.4 × 39.4 in | 25 mm | 4 | 1,320 lb | 0.05 lb | 600 kg | 0.02 kg | 375 lb | \$18,380.00 |

Part Number/Price

| Part # | Minebea Part # | Weighing Surface Dimensions | Platform Height | # Load Cells | Capacity Readability | Capacity Readability | Capacity Readability | Est. Weight | Price | |
|--------|----------------|-----------------------------|-----------------|--------------|----------------------|----------------------|----------------------|-------------|--------|-------------|
| 101307 | IFS4-1000LL | 39.4 × 39.4 in | 25 mm | 4 | 2,200 lb | 0.1 lb | 1,000 kg | 0.05 kg | 375 lb | \$18,380.00 |
| 101308 | IFS4-1500LL | 39.4 × 39.4 in | 35 mm | 4 | 3,300 lb | 0.1 lb | 1,500 kg | 0.05 kg | 375 lb | \$18,380.00 |
| 101309 | IFS4-3000LL | 39.4 × 39.4 in | 45 mm | 4 | 6,600 lb | 0.2 lb | 3,000 kg | 0.1 kg | 375 lb | \$18,380.00 |
| 101310 | IFS4-150NL | 49.2 × 39.4 in | 25 mm | 4 | 330 lb | 0.01 lb | 150 kg | 0.005 kg | 397 lb | \$19,110.00 |
| 101311 | IFS4-300NL | 49.2 × 39.4 in | 25 mm | 4 | 660 lb | 0.02 lb | 300 kg | 0.01 kg | 397 lb | \$19,110.00 |
| 101312 | IFS4-600NL | 49.2 × 39.4 in | 25 mm | 4 | 1,320 lb | 0.05 lb | 600 kg | 0.02 kg | 397 lb | \$19,110.00 |
| 101313 | IFS4-1000NL | 49.2 × 39.4 in | 25 mm | 4 | 2,200 lb | 0.1 lb | 1,000 kg | 0.05 kg | 397 lb | \$19,110.00 |
| 101314 | IFS4-1500NL | 49.2 × 39.4 in | 35 mm | 4 | 3,300 lb | 0.1 lb | 1,500 kg | 0.05 kg | 397 lb | \$19,110.00 |
| 101315 | IFS4-3000NL | 49.2 × 39.4 in | 45 mm | 4 | 6,600 lb | 0.2 lb | 3,000 kg | 0.1 kg | 397 lb | \$19,110.00 |
| 101317 | IFS4-1500NN | 49.2 × 49.2 in | 25 mm | 4 | 330 lb | 0.01 lb | 150 kg | 0.005 kg | 481 lb | \$19,920.00 |
| 101318 | IFS4-300NN | 49.2 × 49.2 in | 25 mm | 4 | 660 lb | 0.02 lb | 300 kg | 0.01 kg | 481 lb | \$19,920.00 |
| 101319 | IFS4-600NN | 49.2 × 49.2 in | 35 mm | 4 | 1,320 lb | 0.05 lb | 600 kg | 0.02 kg | 481 lb | \$19,920.00 |
| 101320 | IFS4-1000NN | 49.2 × 49.2 in | 35 mm | 4 | 2,200 lb | 0.1 lb | 1,000 kg | 0.05 kg | 481 lb | \$19,920.00 |
| 101321 | IFS4-1500NN | 49.2 × 49.2 in | 35 mm | 4 | 3,300 lb | 0.1 lb | 1,500 kg | 0.05 kg | 481 lb | \$19,920.00 |
| 101322 | IFS4-3000NN | 49.2 × 49.2 in | 45 mm | 4 | 6,600 lb | 0.2 lb | 3,000 kg | 0.1 kg | 481 lb | \$19,920.00 |
| 101323 | IFS4-150RN | 59.1 × 49.2 in | 25 mm | 4 | 330 lb | 0.01 lb | 150 kg | 0.005 kg | 547 lb | \$20,700.00 |
| 101324 | IFS4-300RN | 59.1 × 49.2 in | 25 mm | 4 | 660 lb | 0.02 lb | 300 kg | 0.01 kg | 547 lb | \$20,700.00 |
| 101325 | IFS4-600RN | 59.1 × 49.2 in | 35 mm | 4 | 1,320 lb | 0.05 lb | 600 kg | 0.02 kg | 547 lb | \$20,700.00 |
| 101326 | IFS4-1000RN | 59.1 × 49.2 in | 35 mm | 4 | 2,200 lb | 0.1 lb | 1,000 kg | 0.05 kg | 547 lb | \$20,700.00 |
| 101327 | IFS4-1500RN | 59.1 × 49.2 in | 35 mm | 4 | 3,300 lb | 0.1 lb | 1,500 kg | 0.05 kg | 547 lb | \$20,700.00 |
| 101328 | IFS4-3000RN | 59.1 × 49.2 in | 45 mm | 4 | 6,600 lb | 0.2 lb | 3,000 kg | 0.1 kg | 628 lb | \$20,700.00 |
| 101329 | IFS4-150RR | 59.1 × 59.1 in | 35 mm | 4 | 330 lb | 0.01 lb | 150 kg | 0.005 kg | 628 lb | \$21,480.00 |
| 101330 | IFS4-300RR | 59.1 × 59.1 in | 35 mm | 4 | 660 lb | 0.02 lb | 300 kg | 0.01 kg | 628 lb | \$21,480.00 |
| 101331 | IFS4-600RR | 59.1 × 59.1 in | 35 mm | 4 | 1,320 lb | 0.05 lb | 600 kg | 0.02 kg | 628 lb | \$21,480.00 |
| 101332 | IFS4-1000RR | 59.1 × 59.1 in | 45 mm | 4 | 2,200 lb | 0.1 lb | 1,000 kg | 0.05 kg | 628 lb | \$21,480.00 |
| 101333 | IFS4-1500RR | 59.1 × 59.1 in | 45 mm | 4 | 3,300 lb | 0.1 lb | 1,500 kg | 0.05 kg | 628 lb | \$21,480.00 |
| 101334 | IFS4-3000RR | 59.1 × 59.1 in | 45 mm | 4 | 6,600 lb | 0.2 lb | 3,000 kg | 0.1 kg | 739 lb | \$21,480.00 |
| 101335 | IFS4-150WR | 78.7 × 59.1 in | 35 mm | 4 | 330 lb | 0.01 lb | 150 kg | 0.005 kg | 739 lb | \$22,260.00 |
| 101337 | IFS4-300WR | 78.7 × 59.1 in | 35 mm | 4 | 660 lb | 0.02 lb | 300 kg | 0.01 kg | 739 lb | \$22,260.00 |
| 101338 | IFS4-600WR | 78.7 × 59.1 in | 35 mm | 4 | 1,320 lb | 0.05 lb | 600 kg | 0.02 kg | 739 lb | \$22,260.00 |
| 101339 | IFS4-1000WR | 78.7 × 59.1 in | 45 mm | 4 | 2,200 lb | 0.1 lb | 1,000 kg | 0.05 kg | 739 lb | \$22,260.00 |
| 101340 | IFS4-1500WR | 78.7 × 59.1 in | 45 mm | 4 | 3,300 lb | 0.1 lb | 1,500 kg | 0.05 kg | 739 lb | \$22,260.00 |
| 101341 | IFS4-3000WR | 78.7 × 59.1 in | 45 mm | 4 | 6,600 lb | 0.2 lb | 3,000 kg | 0.1 kg | 739 lb | \$22,260.00 |

PRECISION
INDUSTRIAL WEIGHING**Options/Accessories**

| Part # | Description | Price |
|------------------------|--|---------|
| T4 | Stop bar | Consult |
| T5 | Tow bar and stop bar | Consult |
| T6 | Two handles and two rollers | Consult |
| T7 | Retractable wheels | Consult |
| T9 | Bottom plate | Consult |
| T13 | Four handles | Consult |
| T14 | Integrated column | Consult |
| T15 | Second ramp | Consult |
| Stainless Steel | | |
| R2 | 316, T1, 2B cold-rolled steel, electropolished stainless steel | Consult |
| R6 | 304, 2B cold-rolled steel, electropolished stainless steel | Consult |

Note: Consult factory for lifting device options and compatibility of combined options



Specifications

Indicator Connectivity:

Combics UV1

Models Sensing:

Force motor cell

Stability:

Weight stabilizes 1.5 second

Power Requirements:

10.6 VDC to 30 VDC supplied by external power supply, battery pack or Combics IS indicator

Weighing Design:

Electro magnetic

Indicators Options:

Combics UV1 models

Construction:

Stainless steel platforms
Die-cast or galvanized base construction (model dependent)

IP Rating:

BBP/DCS: IP54

EDE: IP65

IGG: IP67

Cable Length:

6 m (20 ft)

Warranty:

Two-year limited, pending evaluation

Standard Features

- The standard RS-485 interface is X-bus compatible. An RS-232C interface is available as an option.
- Power requirements range from 10.6 VDC to 30 VDC
- At the touch of the unique ISO TEST key, the IS platform calibrates and adjusts itself automatically using a built-in calibration weight
- High internal resolution guarantees reliable weight readouts
- Weighing results: up to 50 times/second
- All scales come standard with stainless steel load plate (wraparound design optional)
- Internal calibration (ISEDE and ISIGG models only)

Accessories and Options

- A complete selection of options and accessories are available, including interfaces, cables and connectors, power supplies, mechanical accessories, software and mechanical security devices

Part Number/Price

| Part # | Minebea Part # | Platform Size | # Load Cells | Capacity Readability | Capacity Readability | Capacity Readability | Est. Weight | Price | |
|----------------------|----------------|----------------|--------------|----------------------|----------------------|----------------------|-------------|--------|-------------|
| 174127 | ISBBP-06-H | Ø 4.5 in | 1 | 1.6 lb | 0.00002 lb | 0.62 kg | 0.001 g | 19 lb | \$4,180.00 |
| 174128 | ISBBP-3-H | 7.1 × 7.1 in | 1 | 6.8 lb | 0.00002 lb | 3.1 kg | 0.01 g | 19 lb | \$3,400.00 |
| 174129 | ISBBP-6-H | 7.1 × 7.1 in | 1 | 13.7 lb | 0.00002 lb | 6.2 kg | 0.01 g | 19 lb | \$4,374.00 |
| 102003 | ISDCS-16-H | 15.8 × 11.8 in | 1 | 35 lb | 0.0002 lb | 16 kg | 0.1 g | 41 lb | \$5,950.00 |
| 102004 | ISDCS-35-H | 15.8 × 11.8 in | 1 | 75 lb | 0.0002 lb | 34 kg | 0.1 g | 41 lb | \$7,140.00 |
| 102005 | ISEDE-64-SV1 | 15.8 × 11.8 in | 1 | 141 lb | 0.002 lb | 64 kg | 1 g | 41 lb | \$6,555.00 |
| 102006 | ISEDE-64-HV1 | 15.8 × 11.8 in | 1 | 141 lb | 0.0002 lb | 64 kg | 0.1 g | 41 lb | \$9,000.00 |
| 102008 | ISIGG-150-HV1 | 32 × 24 in | 1 | 330 lb | 0.002 lb | 150 kg | 1 g | 185 lb | \$9,354.00 |
| 102009 | ISIGG-300-HV1 | 32 × 24 in | 1 | 660 lb | 0.005 lb | 300 kg | 2 g | 185 lb | \$9,590.00 |
| Special Order | | | | | | | | | |
| 102012 | ISIGG-150-DS1 | 32 × 24 in | 1 | 330 lb | 0.0002 lb | 150 kg | 0.1 g | 185 lb | \$10,038.00 |
| 102013 | ISIGG-300-DS1 | 32 × 24 in | 1 | 660 lb | 0.0005 lb | 300 kg | 0.2 g | 185 lb | \$11,040.00 |

Options/Accessories

| Part # | Minebea Part # | Description | Price |
|---------|----------------|---|---------|
| Consult | - | Interface mode (RS-485/422) required with Combics II indicators | Consult |
| Consult | - | DC power supply to weigh platform | Consult |
| Consult | YCC05_001M5 | Cable, 25-pin to 9-pin D sub, cable for PC | Consult |

Indicators

| Part # | Minebea Part # | Description | Price |
|---------|----------------|--|------------|
| 115668 | CAISL1-UV1 | Combics 1 indicator for IS base, IP44 | \$1,919.00 |
| 115670 | CAISL2-UV1 | Combics 2 indicator for IS base, IP44 | \$2,233.00 |
| Consult | CAISL3-UV1 | Combics 3 indicator for IS base, IP44 | \$2,121.00 |
| 115671 | CAIS1-UV1 | Combics 1 indicator for IS base, IP69K | \$2,208.00 |
| 115673 | CAIS2-UV1 | Combics 2 indicator for IS base, IP69K | \$2,639.00 |
| 115674 | CAIS3-UV1 | Combics 3 indicator for IS base, IP69K | \$3,146.00 |

Signum EX Supreme, Explosion Proof

Bench Scale



Approvals



Part Number/Price

| Part # | Minebea Part # | Description | Platform Dimensions | Price |
|------------------|-----------------|---------------------------------------|---------------------|------------|
| Painted | | | | |
| 155866 | SIWXSBBP-3-06-H | 1.3 × 0.000002 lb (0.62 kg × 0.001 g) | Ø 5 in | \$7,000.00 |
| 155867 | SIWXSBBP-3-3-H | 6.8 × 0.00002 lb (3.1 kg × 0.01 g) | 7.1 × 7.1 in | \$5,000.00 |
| 155868 | SIWXSBBP-3-6-H | 13.5 × 0.00002 lb (6.1 kg × 0.01 g) | 7.1 × 7.1 in | \$6,100.00 |
| 155870 | SIWXSDCP-3-35-H | 75 × 0.0002 lb (35 kg × 0.1 g) | 13.7 × 9.7 in | \$6,600.00 |
| Stainless | | | | |
| 155871 | SIWXSBBP-3-3-H | 6.8 × 0.00002 lb (3.1 kg × 0.01 g) | 7.1 × 7.1 in | \$7,500.00 |
| 155872 | SIWXSBBP-3-6-H | 13.5 × 0.0002 lb (6.1 kg × 0.01 g) | 7.1 × 7.1 in | \$8,350.00 |
| 155873 | SIWXSDCS-3-35-H | 75 × 0.0002 lb (35 kg × 0.1 g) | 13.7 × 9.7 in | \$8,000.00 |

Options/Accessories

| Part # | Minebea Part # | Description | Price |
|---------|----------------|--|------------|
| 46518 | YPS02-XUR | Hazardous area power supply - (FM approved for use in the USA) (8 ft. of intrinsic cable and 8 ft. of cable requiring hard wiring by licensed electrician) | \$2,494.00 |
| 103066 | YPS02-XKR | Hazardous area power supply - (CSA approved for use in Canada) (8 ft. of intrinsic cable and 8 ft. of cable requiring hard wiring by a licensed electrician) | \$2,494.00 |
| 46517 | YPS02-ZKR | Safe area power supply (3 ft to wall plug and 65 ft of intrinsically safe cable to the scale) | \$1,687.00 |
| 103055 | YDI05-ZU2 | Zener barrier hazardous area RS-232 to RS-232 converter, 14-pin plug | \$1,220.00 |
| 103059 | YDI05-ZU3 | Zener barrier hazardous area RS-422 to RS-232 (requires 6971413, RL 50232, power supply) cable connection not included | \$1,160.00 |
| 153218 | YDH01P | Column for DCP platforms, height 19 in, painted | \$680.00 |
| 155884 | YDH02P | Column for BBP platforms, height 15.75 in, painted | \$725.00 |
| Consult | YDH01CWSUS | Column for DCS platform, height 13 in, stainless steel | Consult |
| Consult | YDH02CWSUS | Column for DCS platform, height 19.6 in, stainless steel | Consult |
| Consult | YDH03CWSUS | Column for DCS platform, height 25.5 in, stainless steel | Consult |
| Consult | YDH02S | Column for BBS platform, height 15.75 in, stainless steel | Consult |
| 103068 | YRB02-X | Rechargeable battery (requires 103069 battery charger) | \$1,994.00 |
| 103069 | YRB02-LD | Battery charger (requires power cord) | \$461.00 |
| 103057 | YCC422-X | Cable without connectors for RS-422 | \$18.00/ft |
| 102078 | 6971954 | Power cord | \$27.00 |

Standard Features

- Monolithic weighing system
- Resolution up to 620,000 d
- Stainless steel weighing pan
- Stainless or painted versions
- Requires YPS02-XUR (RL # 46518)
US hazardous area or YPS02-ZKR (RL# 46517) safe area connection

Specifications

Material:

SIWXSBBP, SIWXSDCP: Stainless steel display unit, painted platform with stainless steel load plate
SIWXSBBP, SIWXSDCS: Brushed stainless steel

Net Weight/Gross Weight:

SIWXSBBP, SIWXSBBP: 19.8/23.8 lb (9.0/10.8 kg)
SIWXSDCP, SIWXSDCS: 33/39.6 lb (15.0/18.0 kg)

Packaging Dimensions:

(L × W × H)
SIWXSBBP, SIWXSBBP: 22.4 × 15.7 × 14.5 in (570 × 400 × 370 mm)
SIWXSDCP, SIWXSDCS: 20 × 17.3 × 16.1 in (510 × 440 × 410 mm)

Temperature:

Operating:
SIWXSBBP, SIWXSBBP: 50 °F to 104 °F (10 °C to 40 °C)
SIWXSDCP, SIWXSDCS: 14 °F to 104 °F (-10 °C to 40 °C)

Data Interfaces:

RS-232
Can be switched to RS-485 or RS-422 connection via 14-Pin round socket

Supply Voltage:

Via external power supply, connection via 14-Pin round socket (20 cm cable)

Power Supply Hazardous Area:

ATEX: YPSC01-X

Power Supply Safe Area:

ATEX: YPSC01-Z
FM/CSA: YPS02-ZKR (PN 46517)

Battery Operation:

Via external battery YRB02-X (103068)
Charger PN 103069

IP Rating:

IP65
IP44 Zone 1 ONLY: SIWXSBBP, SIWXSBBP 1.3 lb (0.6 kg)

Cable Length:

2 m (6.6 ft) between display unit and platform

Warranty:

Two-year limited, pending evaluation

Approvals:

FM Class I, II, III; Div. 1; Groups ABCDEFG and T4
IECEX/ATEX Zone 1/2/21/22

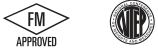
PRECISION INDUSTRIAL WEIGHING

Combics® 2 Ex, Explosion Proof

Digital Weight Indicator



Approvals



Standard Features

- Amber backlit LCD dot matrix display
- On/off, zero, tare and print/data keys
- Function keys for: gross/net toggle; three-way unit toggle; 10X higher resolution toggle
- Two header line storage
- Battery charge status display (with connection of battery pack)
- Numeric keypad with two IDs for entering identifier codes and preset tare
- Date/time fully integrated
- GMP printable record
- Three built-in LED checkweighing lights
- Bar graph weighing range indicator
- Application data and totalization memory stored in battery-backed RAM
- Connection for four or six wire load cell
- Requires power supply

Applications Software Pre-installed

- Counting, checkweighing, differential weighing, percentage weighing, gross-net-tare, sorting, net-total, animal weighing
- Ex approval: FM Class 1,2,3, Division 1, Groups ABCDEFG and temperature class T4
- Weighbridge connectivity – maximum two precision weighing platforms or load cells, and one precision platform or 1 Combics Ex and one precision platform
- Power supply can be provided by 110-220 VAC connections and a 24 VDC industrial power module (each suitable for hazardous and safe areas) and a rechargeable battery pack in stainless steel casing

Specifications

Supply Voltage:

6 V

Dimensions:

(L × W × H):
11.9 × 7.4 × 3.5 in
(302 × 188 × 89 mm)

Temperature:

Operating:
14 °F to 104 °F (-10 °C to 40 °C)

IP Rating/Material:

IP69K/NEMA Type 4X
304 stainless steel

Warranty:

Two-year limited, pending evaluation

Approvals:

NTEP 19-055
FM

PRECISION
INDUSTRIAL WEIGHING

Part Number/Price

| Part # | Minebea Part # | Description | Est. Weight | Price |
|--------|----------------|--|-------------|------------|
| 158644 | CAIXS2-U | Indicator, CAIXS2-U IP69K protection rated | 7 lb | \$2,800.00 |
| 197168 | CAIXS2-UA19M26 | Indicator, CAIXS2 EX IS-X | 7 lb | \$3,300.00 |

Options/Accessories

| Part # | Minebea Part # | Description | Price |
|--------|----------------|--|------------|
| 46518 | YPS02-XUR | Power supply, hazardous area, United States | \$2,494.00 |
| 46517 | YPS02-ZKR | Power supply, safe area, 65 ft cable | \$1,687.00 |
| 103068 | YRB02-X | Battery pack, 30+ hours (requires 103069) | \$1,994.00 |
| 103069 | YRB02-LD | Charger for battery pack | \$461.00 |
| 103054 | YCC02-XR14F02 | Quick disconnect cable, for Zener barrier | \$322.00 |
| 155882 | YDI05-ZU1 | Zener barrier | \$1,188.00 |
| 155918 | A19 | 485 interface (IS-X Base) | \$581.00 |
| 155919 | M26 | Cable to IS-X | \$319.00 |
| 105607 | YDH02CISUS | Wall mount bracket | \$120.00 |
| 156440 | YDH01CWSUS | Post mount assembly for 10 × 10 in platforms, 13 in high | \$330.00 |
| 156441 | YDH02CWSUS | Post mount assembly for 12 × 12 in platforms, 19 in high | \$340.00 |
| 156442 | YDH03CWSUS | Post mount assembly for 18 × 18 in platforms, 29 in high | \$400.00 |

Combics[®], Explosion Proof

Bench and Floor Platform Scales



*GLP/GMP requires use of Combics 1 Plus or higher digital weight indicator

Specifications

Indicator Option:
CIXS3-U

Temperature:
Operating:
14 °F to 104 °F (-10 °C to 40 °C)

IP Rating:
NEMA Type 4/IP67

Cable Length:
Up to 30 × 30: 10 ft
36 × 36 and over: 20 ft

Warranty:
Two-year limited, pending evaluation

Approvals:
FM approved Classes 1,2,3, Division 1, Groups ABCDEGFT4, US and Canadian hazardous areas, when used with CIXS3-U or FCT01-X indicator

PRECISION INDUSTRIAL WEIGHING

Approvals



Standard Features

- Can be used in areas where explosive gas and dust mixtures occur
- Documentation to verify intrinsic safety available upon request
- Completely constructed with AISI 304 stainless steel
- All units are built for easy cleaning and disinfection and meet HACCP and FDA requirements for the food industry
- Load cells are hermetically sealed, IP68 protection rated
- Pit frames for flush mounting available
- High resolution 30,000 d

Applications

- Pharmaceutical, chemical, electronics, food processing, precious metals, metal production and processing
- Regulatory Compliance: NEMA, HACCP, FDA, GLP/GMP*, FM

*GLP/GMP requires use of Combics 1 Plus or higher digital weight indicator

Part Number/Price

| Part # | Minebea Part # | Dimensions | Height Adjustment | # Load Cells | Capacity | Capacity Readability | Capacity Readability | Est. Weight | Price |
|--------|----------------|------------|-------------------|--------------|----------|----------------------|----------------------|-------------|--------------------|
| 100919 | CAPXS1U-10CC | 10 × 10 in | 2.37 in | 1 | 15 lb | 0.0005 lb | 6 kg | 0.0002 kg | 16 lb \$1,500.00 |
| 100920 | CAPXS1U-20CC | 10 × 10 in | 2.37 in | 1 | 30 lb | 0.001 lb | 15 kg | 0.0005 kg | 16 lb \$1,500.00 |
| 100921 | CAPXS1U-50CC | 10 × 10 in | 2.37 in | 1 | 60 lb | 0.002 lb | 30 kg | 0.001 kg | 16 lb \$1,500.00 |
| 100922 | CAPXS1U-50DD | 12 × 12 in | 3.87 in | 1 | 60 lb | 0.002 lb | 30 kg | 0.001 kg | 24 lb \$1,600.00 |
| 100923 | CAPXS1U-100DD | 12 × 12 in | 3.87 in | 1 | 150 lb | 0.005 lb | 60 kg | 0.002 kg | 24 lb \$1,600.00 |
| 100924 | CAPXS1U-50EE | 18 × 18 in | 3.5 in | 1 | 60 lb | 0.002 lb | 30 kg | 0.001 kg | 62 lb \$2,100.00 |
| 100925 | CAPXS1U-100EE | 18 × 18 in | 3.5 in | 1 | 150 lb | 0.005 lb | 60 kg | 0.002 kg | 62 lb \$2,100.00 |
| 100926 | CAPXS1U-200EE | 18 × 18 in | 3.5 in | 1 | 200 lb | 0.01 lb | 100 kg | 0.005 kg | 62 lb \$2,100.00 |
| 100934 | CAPXS4U-250GG | 24 × 24 in | 3.31 in | 4 | 300 lb | 0.01 lb | 150 kg | 0.005 kg | 12 lb \$6,600.00 |
| 100935 | CAPXS4U-500GG | 24 × 24 in | 3.31 in | 4 | 600 lb | 0.02 lb | 300 kg | 0.01 kg | 12 lb \$6,600.00 |
| 100943 | CAPXS4U-500HH | 30 × 30 in | 3.31 in | 4 | 600 lb | 0.02 lb | 300 kg | 0.01 kg | 187 lb \$7,200.00 |
| 100944 | CAPXS4U-1000HH | 30 × 30 in | 3.31 in | 4 | 1,500 lb | 0.05 lb | 600 kg | 0.02 kg | 187 lb \$7,200.00 |
| 100945 | CAPXS4U-1000KK | 36 × 36 in | 3.75 in | 4 | 1,500 lb | 0.05 lb | 600 kg | 0.02 kg | 250 lb \$8,800.00 |
| 100946 | CAPXS4U-2500KK | 36 × 36 in | 3.75 in | 4 | 3,000 lb | 0.1 lb | 1,500 kg | 0.05 kg | 250 lb \$8,800.00 |
| 100947 | CAPXS4U-5000KK | 36 × 36 in | 3.75 in | 4 | 6,000 lb | 0.2 lb | 3,000 kg | 0.1 kg | 250 lb \$8,800.00 |
| 100949 | CAPXS4U-2500NN | 48 × 48 in | 3.75 in | 4 | 3,000 lb | 0.1 lb | 1,500 kg | 0.05 kg | 390 lb \$11,000.00 |
| 100950 | CAPXS4U-5000NN | 48 × 48 in | 3.75 in | 4 | 6,000 lb | 0.2 lb | 3,000 kg | 0.1 kg | 390 lb \$11,000.00 |

IF Series, Explosion Proof

Weighing Platform Scales



Shown with additional optional features

Approvals



Standard Features

- Capacities from 150 kg to 3,000 kg (330 to 6,613 lb) with resolutions up to 30,000 d
- Ultra low profile: standard platform height is 35 mm; optional heights available as low as 25 mm
- Drive-on ramp included with every platform
- No pit required
- Load cells are hermetically sealed, IP68 protection rated
- Convenient for application-oriented weighing systems from processing to the chemical industry
- Standard configuration: AISI 304 stainless steel

Optional Configurations

- Electro-polished finish
- AISI 304 electro-polished stainless steel platform
- AISI 316Ti electro-polished stainless steel platform
- Ingenious manually-operated lifting mechanism option (patented system) for effortless raising of the platform to facilitate cleaning underneath.

- R2: Cold rolled AISI 316Ti stainless steel, electro-polished
- R6: AISI 304 2b stainless steel, electro-polished
- T4: Stop bar
- T5: Tow bar and stop bar
- T6: Two handles and two rollers
- T7: Retractable wheels (reduces effective resolution to 15,000 dd)
- T9: Additional bottom plate
- T15: Second ramp
- T14: Integrated column
- T13: Four handles

Applications

- Pharmaceutical, chemical, electronics, food processing, precious metals, metal production and processing

Specifications

Rating/Material:

IP68
304 bead-blasted stainless steel

Cable Length:

19.7 ft (6 m)

Regulatory Compliance:

NEMA, HACCP, FDA, GLP/GMP*, Class 10,000 clean rooms (US Federal Standard 209D) (equivalent to Class C in accordance with EEC-GWP), FM

*GLP/GMP requires use of Comblics 1 Plus or higher digital weight indicator

Warranty:

Two-year limited, pending evaluation

Approvals:

FM approved, IFXS4 series, are certified for use in Class 1,2,3, Div. 1, Groups ABCDEFT4 (Verification of Intrinsic Safety included; also covers any explosion protected Minebea components combined with this platform series)



Part Number/Price

| Part # | Minebea Part # | Weighing Surface Dimensions | # Load Cells | Capacity Readability | Capacity Readability | Capacity Readability | Est. Weight | Price |
|--------|----------------|-----------------------------|--------------|----------------------|----------------------|----------------------|-------------|----------------------|
| 102530 | IFXS4-150GG | 23.6 × 23.6 in | 4 | 330 lb | 0.01 lb | 150 kg | 0.005 kg | 198 lb \$15,431.00 |
| 102531 | IFXS4-300GG | 23.6 × 23.6 in | 4 | 660 lb | 0.02 lb | 300 kg | 0.01 kg | 198 lb \$15,431.00 |
| 102532 | IFXS4-600GG | 23.6 × 23.6 in | 4 | 1,320 lb | 0.05 lb | 600 kg | 0.02 kg | 198 lb \$15,431.00 |
| 102533 | IFXS4-1000GG | 23.6 × 23.6 in | 4 | 2,200 lb | 0.1 lb | 1,000 kg | 0.05 kg | 198 lb \$15,431.00 |
| 102534 | IFXS4-150IG | 31.5 × 23.6 in | 4 | 330 lb | 0.01 lb | 150 kg | 0.005 kg | 221 lb \$15,705.00 |
| 102536 | IFXS4-300IG | 31.5 × 23.6 in | 4 | 660 lb | 0.02 lb | 300 kg | 0.01 kg | 221 lb \$15,705.00 |
| 102537 | IFXS4-600IG | 31.5 × 23.6 in | 4 | 1,320 lb | 0.05 lb | 600 kg | 0.02 kg | 221 lb \$15,705.00 |
| 102538 | IFXS4-1000IG | 31.5 × 23.6 in | 4 | 2,200 lb | 0.1 lb | 1,000 kg | 0.05 kg | 221 lb \$15,705.00 |
| 102540 | IFXS4-150II | 31.5 × 31.5 in | 4 | 330 lb | 0.01 lb | 150 kg | 0.005 kg | 243 lb \$15,973.00 |
| 102541 | IFXS4-300II | 31.5 × 31.5 in | 4 | 660 lb | 0.02 lb | 300 kg | 0.01 kg | 243 lb \$15,973.00 |
| 102542 | IFXS4-600II | 31.5 × 31.5 in | 4 | 1,320 lb | 0.05 lb | 600 kg | 0.02 kg | 243 lb \$15,973.00 |
| 102543 | IFXS4-1000II | 31.5 × 31.5 in | 4 | 2,200 lb | 0.1 lb | 1,000 kg | 0.05 kg | 243 lb \$15,973.00 |
| 102544 | IFXS4-1500II | 31.5 × 31.5 in | 4 | 3,300 lb | 0.1 lb | 1,500 kg | 0.05 kg | 243 lb \$15,973.00 |
| 102545 | IFXS4-150LG | 39.4 × 23.6 in | 4 | 330 lb | 0.01 lb | 150 kg | 0.005 kg | 243 lb \$16,505.00 |
| 102546 | IFXS4-300LG | 39.4 × 23.6 in | 4 | 660 lb | 0.02 lb | 300 kg | 0.01 kg | 243 lb \$16,505.00 |
| 102547 | IFXS4-600LG | 39.4 × 23.6 in | 4 | 1,320 lb | 0.05 lb | 600 kg | 0.02 kg | 243 lb \$16,505.00 |
| 102548 | IFXS4-1000LG | 39.4 × 23.6 in | 4 | 2,200 lb | 0.1 lb | 1,000 kg | 0.05 kg | 243 lb \$16,505.00 |
| 102549 | IFXS4-1500LG | 39.4 × 23.6 in | 4 | 3,300 lb | 0.1 lb | 1,500 kg | 0.05 kg | 243 lb \$16,505.00 |
| 102550 | IFXS4-150LI | 39.4 × 31.5 in | 4 | 330 lb | 0.01 lb | 150 kg | 0.005 kg | 265 lb \$17,062.00 |
| 102551 | IFXS4-300LI | 39.4 × 31.5 in | 4 | 660 lb | 0.02 lb | 300 kg | 0.01 kg | 265 lb \$17,062.00 |
| 102552 | IFXS4-600LI | 39.4 × 31.5 in | 4 | 1,320 lb | 0.05 lb | 600 kg | 0.02 kg | 265 lb \$17,062.00 |
| 102553 | IFXS4-1000LI | 39.4 × 31.5 in | 4 | 2,200 lb | 0.1 lb | 1,000 kg | 0.05 kg | 265 lb \$17,062.00 |

Rails add 16.1 in to width

IF Series, Explosion Proof

Weighing Platforms

Part Number/Price

| Part # | Minebea Part # | Weighing Surface Dimensions | # Load Cells | Capacity Readability | Capacity Readability | Capacity Readability | Est. Weight | Price | |
|--------|----------------|-----------------------------|--------------|----------------------|----------------------|----------------------|-------------|--------|-------------|
| 102554 | IFXS4-1500LI | 39.4 × 31.5 in | 4 | 3,330 lb | 0.1 lb | 1,500 kg | 0.05 kg | 265 lb | \$17,062.00 |
| 102555 | IFXS4-150LL | 39.4 × 39.4 in | 4 | 330 lb | 0.01 lb | 150 kg | 0.005 kg | 375 lb | \$17,855.00 |
| 102556 | IFXS4-300LL | 39.4 × 39.4 in | 4 | 660 lb | 0.02 lb | 300 kg | 0.01 kg | 375 lb | \$17,855.00 |
| 102557 | IFXS4-600LL | 39.4 × 39.4 in | 4 | 1,320 lb | 0.05 lb | 600 kg | 0.02 kg | 375 lb | \$17,855.00 |
| 102558 | IFXS4-1000LL | 39.4 × 39.4 in | 4 | 2,200 lb | 0.1 lb | 1,000 kg | 0.05 kg | 375 lb | \$17,855.00 |
| 102559 | IFXS4-1500LL | 39.4 × 39.4 in | 4 | 3,330 lb | 0.1 lb | 1,500 kg | 0.05 kg | 375 lb | \$17,855.00 |
| 102560 | IFXS4-3000LL | 39.4 × 39.4 in | 4 | 6,660 lb | 0.2 lb | 3,000 kg | 0.1 kg | 375 lb | \$17,855.00 |
| 102561 | IFXS4-150NL | 49.2 × 39.4 in | 4 | 330 lb | 0.01 lb | 150 kg | 0.005 kg | 397 lb | \$18,564.00 |
| 102562 | IFXS4-300NL | 49.2 × 39.4 in | 4 | 660 lb | 0.02 lb | 300 kg | 0.01 kg | 397 lb | \$18,564.00 |
| 102563 | IFXS4-600NL | 49.2 × 39.4 in | 4 | 1,320 lb | 0.05 lb | 600 kg | 0.02 kg | 397 lb | \$18,564.00 |
| 102564 | IFXS4-1000NL | 49.2 × 39.4 in | 4 | 2,200 lb | 0.1 lb | 1,000 kg | 0.05 kg | 397 lb | \$18,564.00 |
| 102565 | IFXS4-1500NL | 49.2 × 39.4 in | 4 | 3,330 lb | 0.1 lb | 1,500 kg | 0.05 kg | 397 lb | \$18,564.00 |
| 102566 | IFXS4-3000NL | 49.2 × 39.4 in | 4 | 6,660 lb | 0.2 lb | 3,000 kg | 0.1 kg | 397 lb | \$18,564.00 |
| 102567 | IFXS4-150NN | 49.2 × 49.2 in | 4 | 330 lb | 0.01 lb | 150 kg | 0.005 kg | 481 lb | \$19,353.00 |
| 102568 | IFXS4-300NN | 49.2 × 49.2 in | 4 | 660 lb | 0.02 lb | 300 kg | 0.01 kg | 481 lb | \$19,353.00 |
| 102569 | IFXS4-600NN | 49.2 × 49.2 in | 4 | 1,320 lb | 0.05 lb | 600 kg | 0.02 kg | 481 lb | \$19,353.00 |
| 102570 | IFXS4-1000NN | 49.2 × 49.2 in | 4 | 2,200 lb | 0.1 lb | 1,000 kg | 0.05 kg | 481 lb | \$19,353.00 |
| 102571 | IFXS4-1500NN | 49.2 × 49.2 in | 4 | 3,330 lb | 0.1 lb | 1,500 kg | 0.05 kg | 481 lb | \$19,353.00 |
| 102572 | IFXS4-3000NN | 49.2 × 49.2 in | 4 | 6,660 lb | 0.2 lb | 3,000 kg | 0.1 kg | 481 lb | \$19,353.00 |
| 102573 | IFXS4-150RN | 59.1 × 49.2 in | 4 | 330 lb | 0.01 lb | 150 kg | 0.005 kg | 547 lb | \$20,097.00 |
| 102574 | IFXS4-300RN | 59.1 × 49.2 in | 4 | 660 lb | 0.02 lb | 300 kg | 0.01 kg | 547 lb | \$20,097.00 |
| 102575 | IFXS4-600RN | 59.1 × 49.2 in | 4 | 1,320 lb | 0.05 lb | 600 kg | 0.02 kg | 547 lb | \$20,097.00 |
| 102576 | IFXS4-1000RN | 59.1 × 49.2 in | 4 | 2,200 lb | 0.1 lb | 1,000 kg | 0.05 kg | 547 lb | \$20,097.00 |
| 102577 | IFXS4-1500RN | 59.1 × 49.2 in | 4 | 3,330 lb | 0.1 lb | 1,500 kg | 0.05 kg | 547 lb | \$20,097.00 |
| 102578 | IFXS4-3000RN | 59.1 × 49.2 in | 4 | 6,660 lb | 0.2 lb | 3,000 kg | 0.1 kg | 547 lb | \$20,097.00 |
| 102579 | IFXS4-150RR | 59.1 × 59.1 in | 4 | 330 lb | 0.01 lb | 150 kg | 0.005 kg | 628 lb | \$20,855.00 |
| 102580 | IFXS4-300RR | 59.1 × 59.1 in | 4 | 660 lb | 0.02 lb | 300 kg | 0.01 kg | 628 lb | \$20,855.00 |
| 102581 | IFXS4-600RR | 59.1 × 59.1 in | 4 | 1,320 lb | 0.05 lb | 600 kg | 0.02 kg | 628 lb | \$20,855.00 |
| 102582 | IFXS4-1000RR | 59.1 × 59.1 in | 4 | 2,200 lb | 0.1 lb | 1,000 kg | 0.05 kg | 628 lb | \$20,855.00 |
| 102583 | IFXS4-1500RR | 59.1 × 59.1 in | 4 | 3,330 lb | 0.1 lb | 1,500 kg | 0.05 kg | 628 lb | \$20,855.00 |
| 102584 | IFXS4-3000RR | 59.1 × 59.1 in | 4 | 6,660 lb | 0.2 lb | 3,000 kg | 0.1 kg | 628 lb | \$20,855.00 |
| 102585 | IFXS4-150WR | 78.7 × 59.1 in | 4 | 330 lb | 0.01 lb | 150 kg | 0.005 kg | 739 lb | \$21,615.00 |
| 102586 | IFXS4-300WR | 78.7 × 59.1 in | 4 | 660 lb | 0.02 lb | 300 kg | 0.01 kg | 739 lb | \$21,615.00 |
| 102587 | IFXS4-600WR | 78.7 × 59.1 in | 4 | 1,320 lb | 0.05 lb | 600 kg | 0.02 kg | 739 lb | \$21,615.00 |
| 102588 | IFXS4-1000WR | 78.7 × 59.1 in | 4 | 2,200 lb | 0.1 lb | 1,000 kg | 0.05 kg | 739 lb | \$21,615.00 |
| 102589 | IFXS4-1500WR | 78.7 × 59.1 in | 4 | 3,330 lb | 0.1 lb | 1,500 kg | 0.05 kg | 739 lb | \$21,615.00 |
| 102590 | IFXS4-3000WR | 78.7 × 59.1 in | 4 | 6,660 lb | 0.2 lb | 3,000 kg | 0.1 kg | 739 lb | \$21,615.00 |

Rails add 16.1 in to width

Options/Accessories - Not Available On All Models

| Part # | Description | Price |
|------------------------|--|---------|
| T4 | Stop bar | Consult |
| T5 | Tow bar and stop bar | Consult |
| T6 | Two handles and two rollers | Consult |
| T7 | Retractable wheels | Consult |
| T9 | Bottom plate | Consult |
| T13 | Four handles | Consult |
| T14 | Integrated column | Consult |
| T15 | Second ramp | Consult |
| Stainless Steel | | |
| R2 | 316, T1, 2B cold-rolled steel, electropolished stainless steel | Consult |
| R6 | 304, 2B cold-rolled steel, electropolished stainless steel | Consult |

Note: Consult factory for lifting device options and compatibility of combined options

PRECISION INDUSTRIAL WEIGHING



Junction Box not shown



The zinc-plated star mount kit is optimized for the Inteco load cell family to guarantee the best weighing performance. It covers the capacity range from 500 kg up to 300 t. The special design allows a horizontal displacement in the unconstrained direction of the load cell. All constrainers are 100% maintenance free. There are two different materials available: stainless steel or mild steel zinc plated. Its unique design includes a dummy functionality to install the vessel without load cell. The top load disc remains in place even when the load cell is not mounted. The design principle integrates a lift-off protection and built-in stops.

Standard Features

- Fast and easy installation
- Mounting kit with dummy function included
- Designed to withstand high lateral forces
- Maintenance-free constrainer and module construction
- Patent pending DE 101 38 435A1
- Approval Certificate "Germanischer Lloyd" No. 47-458-03HH
- Load cell output 1 mV/V
- 15-year load cell warranty
- 10,000 division load cell
- 45 kN zinc-plated mount destructive lateral force; 20 kN permissible lift-off protection
- Foot 20 kN lateral force and lift-off protection

Zinc-Plated Steel Models

| Part # | Minebea Part # | Total Capacity | | Load Cell Capacity | | Price |
|---------------------|-----------------|----------------|------------|--------------------|-----------|-------------|
| 3-Module Kit | | | | | | |
| 158706 | Inteco-1531-U | 3,300 lb | 1,500 kg | 1,100 lb | 500 kg | \$8,256.25 |
| 158708 | Inteco-3031-U | 6,600 lb | 3,000 kg | 2,200 lb | 1,000 kg | \$8,256.25 |
| 158710 | Inteco-6031-U | 13,200 lb | 6,000 kg | 4,400 lb | 2,000 kg | \$8,256.25 |
| 158712 | Inteco-9031-U | 19,800 lb | 9,000 kg | 6,600 lb | 3,000 kg | \$8,256.25 |
| 158716 | Inteco-15031-U | 33,000 lb | 15,000 kg | 11,025 lb | 5,000 kg | \$8,505.25 |
| 158719 | Inteco-30031-U | 66,000 lb | 30,000 kg | 22,050 lb | 10,000 kg | \$9,189.25 |
| 158721 | Inteco-60031-U | 132,000 lb | 60,000 kg | 44,100 lb | 20,000 kg | \$9,501.25 |
| 158723 | Inteco-90031-U | 198,000 lb | 90,000 kg | 66,140 lb | 30,000 kg | \$9,900.25 |
| 158725 | Inteco-150031-U | 330,500 lb | 150,000 kg | 110,200 lb | 50,000 kg | \$10,863.25 |
| 4-Module Kit | | | | | | |
| 158707 | Inteco-2041-U | 4,400 lb | 2,000 kg | 1,100 lb | 500 kg | \$10,212.25 |
| 158709 | Inteco-4041-U | 8,800 lb | 4,000 kg | 2,200 lb | 1,000 kg | \$10,212.25 |
| 158711 | Inteco-8041-U | 17,600 lb | 8,000 kg | 4,400 lb | 2,000 kg | \$10,212.25 |
| 158713 | Inteco-12041-U | 26,400 lb | 12,000 kg | 6,600 lb | 3,000 kg | \$10,212.25 |
| 158718 | Inteco-20041-U | 44,000 lb | 20,000 kg | 11,025 lb | 5,000 kg | \$10,544.25 |
| 158720 | Inteco-40041-U | 88,000 lb | 40,000 kg | 22,050 lb | 10,000 kg | \$11,456.25 |
| 158722 | Inteco-80041-U | 176,000 lb | 80,000 kg | 44,100 lb | 20,000 kg | \$11,872.25 |
| 158724 | Inteco-120041-U | 264,500 lb | 120,000 kg | 66,140 lb | 30,000 kg | \$12,404.25 |
| 158726 | Inteco-200041-U | 440,500 lb | 200,000 kg | 110,200 lb | 50,000 kg | \$13,688.25 |

Complete Kit Includes:

Inteco load cell, PR6001/10 (11) mount, junction box, load cell extension cable;

Four-mount kit includes PR6001/00 or (01) N foot



Junction Box not shown



The stainless steel star mount kit is optimized for the Inteco load cell family to guarantee the best weighing performance. It covers the capacity range from 500 kg up to 300 t. The special design allows a horizontal displacement in the unconstrained direction of the load cell. All constrainers are 100% maintenance free. There are two different materials available: stainless steel or mild steel zinc plated. Its unique design includes a dummy functionality to install the vessel without load cell. The top load disc remains in place even when the load cell is not mounted. The design principle integrates a lift-off protection and built-in stops.

Standard Features

- Fast and easy installation
- Mounting kit with dummy function included
- Inteco load cell for capacities ranging from 500 kg to 300 t
- Designed to withstand high lateral forces
- Maintenance-free constrainer and module construction
- Patent pending DE 101 38 435A1
- Approval Certificate "Germanischer Lloyd" No. 47-458-03HH
- Load cell output 1 mV/V
- 15-year load cell warranty
- 10,000 division load cell
- 39 kN stainless steel mount destructive lateral force; 20 kN permissible lift-off protection
- Foot 20 kN lateral force and lift-off protection

Load Cell Certifications



Stainless Steel Models

| Part # | Minebea Part # | Total Capacity | | Load Cell Capacity | | Price |
|---------------------|-----------------|----------------|------------|--------------------|-----------|-------------|
| 3-Module Kit | | | | | | |
| 158727 | Inteco-1532-U | 3,300 lb | 1,500 kg | 1,100 lb | 500 kg | \$10,098.25 |
| 158788 | Inteco-3032-U | 6,600 lb | 3,000 kg | 2,200 lb | 1,000 kg | \$10,098.25 |
| 158731 | Inteco-6032-U | 13,200 lb | 6,000 kg | 4,400 lb | 2,000 kg | \$12,476.25 |
| 158733 | Inteco-9032-U | 19,800 lb | 9,000 kg | 6,600 lb | 3,000 kg | \$10,098.25 |
| 158735 | Inteco-15032-U | 33,000 lb | 15,000 kg | 11,025 lb | 5,000 kg | \$10,347.25 |
| 158737 | Inteco-30032-U | 66,000 lb | 30,000 kg | 22,050 lb | 10,000 kg | \$11,031.25 |
| 158739 | Inteco-60032-U | 132,000 lb | 60,000 kg | 44,100 lb | 20,000 kg | \$11,343.25 |
| 158741 | Inteco-90032-U | 198,000 lb | 90,000 kg | 66,140 lb | 30,000 kg | \$11,742.25 |
| 158743 | Inteco-150032-U | 330,500 lb | 150,000 kg | 110,200 lb | 50,000 kg | \$12,705.25 |
| 4-Module Kit | | | | | | |
| 158729 | Inteco-2042-U | 4,400 lb | 2,000 kg | 1,100 lb | 500 kg | \$12,476.25 |
| 158730 | Inteco-4042-U | 8,800 lb | 4,000 kg | 2,200 lb | 1,000 kg | \$10,098.25 |
| 158732 | Inteco-8042-U | 17,600 lb | 8,000 kg | 4,400 lb | 2,000 kg | \$10,098.25 |
| 158734 | Inteco-12042-U | 26,400 lb | 12,000 kg | 6,600 lb | 3,000 kg | \$10,098.25 |
| 158736 | Inteco-20042-U | 44,000 lb | 20,000 kg | 11,025 lb | 5,000 kg | \$12,808.25 |
| 158738 | Inteco-40042-U | 88,000 lb | 40,000 kg | 22,050 lb | 10,000 kg | \$13,720.25 |
| 158740 | Inteco-80042-U | 176,000 lb | 80,000 kg | 44,100 lb | 20,000 kg | \$14,136.25 |
| 158742 | Inteco-120042-U | 264,500 lb | 120,000 kg | 66,140 lb | 30,000 kg | \$14,668.25 |
| 158744 | Inteco-200042-U | 440,500 lb | 200,000 kg | 110,200 lb | 50,000 kg | \$15,952.25 |

Complete Kit Includes:

Inteco load cell, PR6001/10 (11) mount, junction box, load cell extension cable;

Four-mount kit includes PR6001/00 or (01) N foot

PRECISION INDUSTRIAL WEIGHING



The PR6202 range of load cells is specially designed to meet the high demands of the food, pharmaceutical and chemical industries. These products are made completely from stainless steel and are specially designed for use with process vessels. All horizontal surfaces are inclined for easy draining, and gaps and undercuts have purposely been avoided. The materials and surface quality were also selected to ensure the load cell meets tried and tested international standards and specifications. Its unique design principle enables it to compensate for motions caused by mechanical/thermal contractions or expansions of containers and/or padding construction in combination with its mounting kit, which has been specially designed for this area of application. The PR6202 is designed for consistent, high accuracy.

Load Cell Certifications



Zinc-Plated Steel Options

| Part # | Minebea Part # | Total Capacity | Load Cell Capacity | Price |
|---------------------|-----------------|----------------|--------------------|-------------|
| 3-Module Kit | | | | |
| 158761 | PR6202-3032-U | 6,600 lb | 3,000 kg | \$13,455.25 |
| 158764 | PR6202-6032-U | 13,200 lb | 6,000 kg | \$13,455.25 |
| 158767 | PR6202-12032-U | 26,000 lb | 12,000 kg | \$13,821.25 |
| 158770 | PR6202-18032-U | 39,500 lb | 18,000 kg | \$13,821.25 |
| 158772 | PR6202-30032-U | 66,000 lb | 30,000 kg | \$13,821.25 |
| 158929 | PR6202-75032-U | 165,000 lb | 75,000 kg | \$14,184.25 |
| 158775 | PR6202-150032-U | 330,500 lb | 150,000 kg | \$16,137.25 |
| 4-Module Kit | | | | |
| 158762 | PR6202-4042-U | 8,800 lb | 4,000 kg | \$16,724.25 |
| 158765 | PR6202-8042-U | 17,600 lb | 8,000 kg | \$16,724.25 |
| 158769 | PR6202-16042-U | 35,000 lb | 16,000 kg | \$17,212.25 |
| 158771 | PR6202-24042-U | 52,900 lb | 24,000 kg | \$17,212.25 |
| 158773 | PR6202-40042-U | 88,000 lb | 40,000 kg | \$17,212.25 |
| 158774 | PR6202-100042-U | 220,000 lb | 100,000 kg | \$17,696.25 |
| 158776 | PR6202-200042-U | 440,500 lb | 200,000 kg | \$20,300.25 |

Complete Kit Includes:
PR6202 load cell, PR6002/10S (11S) mount, junction box, load cell extension cable;
Four-mount kit includes PR6002/04S or (05S) foot

Standard Features

- Proven rocker pin principle for accurate repeatability
- Easy corner adjustment by matched load cell output
- All stainless steel construction (316 stainless steel load cells)
- Wide operating temperature range
- High overload capacity
- Resists vibration for consistent high accuracy
- Hermetically sealed, IP68/69K (depth of 1.5 m for 10,000 hours)
- EX-version available (PR 6202/..E)
- 10,000 division load cell, 2 mV/V
- 15-year warranty
- 50 kN destructive lateral force, and 25 kN permissible lift-off protection
- Foot 35 kN lateral force and lift-off protection

PRECISION
INDUSTRIAL WEIGHING

Contego-Hygienic Weigh Module Kits

Lateral Cable Outlet



Junction Box not shown

The protective cover made of FDA-compliant silicone ensures a reliable encapsulation of the module and prevents the intrusion of dirt and microorganisms. The connecting geometry between protective cover and mounting plates guarantees a safe fitting and, together with the already excellent resistance to aging of the silicone, ensures reliable protection over years.

The Contego® weighing module therefore represents an absolutely hygienic unity of load cell and installation kit. As a result, you can refrain from using other expensive and complicated constructions to protect the weighing technology against dirt.

Besides the hygienic aspect, the Contego weighing module provides all the other important mechatronic functions for a fast operational startup and reliable results. The integrated constraint holds the process vessel in the proper position and, at the same time, allows movement through thermal expansion of the vessel. The integrated lift-off protector is a reliable safety feature to protect the vessel from tilting. At the same time, this feature can be used as a lifting system as well. This way, the vessel leg can be raised a few millimeters without using supplemental tools.

A PR6241 S-type load cell is used with this module. This series is distinguished by its unmatched reliability, robustness and stability, enabling years of undisturbed usage without any readjustment, in addition to the high measuring accuracy and reproducibility.

PRECISION INDUSTRIAL WEIGHING

Load Cell Certifications



Options/Accessories

| Part # | Type | Minebea Part # | Description | Price |
|--------|------------|----------------|-----------------------------------|----------|
| 160438 | PR6041/80S | 9405 360 41802 | Bottom plate, tank leg connection | \$460.00 |

Lateral Cable Outlet Options

| Part # | Minebea Part # | Total Capacity | Load Cell Capacity | | Price | |
|---------------------|----------------|----------------|--------------------|----------|----------|-------------|
| 3-Module Kit | | | | | | |
| 158832 | CTG-332A-U | 660 lb | 300 kg | 220 lb | 100 kg | \$10,677.25 |
| 158834 | CTG-632A-U | 1,300 lb | 600 kg | 440 lb | 200 kg | \$10,677.25 |
| 158892 | CTG-932A-U | 1,900 lb | 900 kg | 660 lb | 300 kg | \$10,677.25 |
| 158837 | CTG-1532A-U | 3,300 lb | 1500 kg | 1,100 lb | 500 kg | \$10,677.25 |
| 158839 | CTG-3032A-U | 6,600 lb | 3000 kg | 2,200 lb | 1,000 kg | \$10,677.25 |
| 158841 | CTG-6032A-U | 13,200 lb | 6,000 kg | 4,400 lb | 2,000 kg | \$10,677.25 |
| 4-Module Kit | | | | | | |
| 158833 | CTG-442A-U | 880 lb | 400 kg | 220 lb | 100 kg | \$13,992.25 |
| 158835 | CTG-842A-U | 1,700 lb | 800 kg | 440 lb | 200 kg | \$13,992.25 |
| 158836 | CTG-1242A-U | 2,500 lb | 1200 kg | 660 lb | 300 kg | \$13,992.25 |
| 158838 | CTG-2042A-U | 4,400 lb | 2000 kg | 1,100 lb | 500 kg | \$13,992.25 |
| 158840 | CTG-4042A-U | 8,800 lb | 4000 kg | 2,200 lb | 1,000 kg | \$13,992.25 |
| 158842 | CTG-8042A-U | 17,600 lb | 8000 kg | 4,400 lb | 2,000 kg | \$13,992.25 |

Complete Kit Includes:

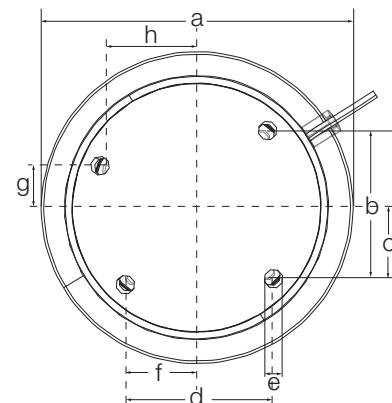
Contego load cell, junction box, load cell extension cable

Dimensions

| Rated Capacity | A | B | C | D | E | F | G | H |
|----------------|--------------------|-------------------|-------------------|-------------------|-------------------|-------------------|-------------------|-------------------|
| in/mm | | | | | | | | |
| Lateral cable | 8.3 in (210 mm) | 3.7 in (94 mm) | 1.9 in (47 mm) | 3.7 in (94 mm) | 0.5 in (12 mm) | 1.9 in (47 mm) | 1.1 in (29 mm) | 2.4 in (60 mm) |

Standard Features

- Compact and absolute hygienic weighing solution for a load range up to 2 t
- Quick and seamless installation
- Easy cleaning without residue
- High chemical resistance
- Protective cover made of FDA-compliant silicone
- Integrated S-like lift-off protector and jack-up function with constrainer for horizontal forces
- Proven rocker pin principle for accurate repeatability
- 10,000 divisions
- Load cell, 2 mV/V
- 15-year load cell warranty
- 30 kN destructive lateral force and 8 kN permissible lift-off protection



PR5220 Ethernet TCP/IP Transmitter



The PR5220 Ethernet transmitter sets new standards in process instrumentation. The standard Ethernet TCP/IP interface enables easy transmission of information to superordinate systems.

Standard Features

- Configuring via VNC
- OPC server
- Full digital signal processing with up to 4.8 Mio divisions internal resolution
- SmartCalibration feature for fast calibration even without weights
- Requires supply voltage of 24 VDC
- IP20 housing, DIN Rail Mount
- Verifiable with remote display up to 10,000 e, CL III (EN 45501, OIML R76)
- Precision analog output
- Serial RS-485/422 interface
- CD supplied with software suite
- 10,000 divisions at six samples per second

Specifications

Housing:

Housing IP20 according to DIN 40050
Mounting on DIN Rail 35 mm according to DIN 46277
Material: polyamide RoHS conform

Dimensions:

(L × W × H)
Version 00: 3.9 × 4.6 × 1.77 in
(99 × 116 × 45 mm)
Versions 01, 04, 06, 07: 3.9 × 4.6 × 2.68 in
(99 × 116 × 68 mm)

Supply Voltage:

24 VDC, ± 20%

Power Consumption:

6 W / 8 W (Versions /01, /04, /06, /07)

Control Outputs:

Quantity: 3 opto-isolated output, passive
Voltage: max. 30 VDC:
Current: max. 30 mA
Functions: Limits, weight status

Specifications (cont.)

Control Inputs:

Quantity: 3, opto-isolated input, passive
Functions: zero setting, taring
Voltage: max. 30 VDC
Current: max. 10 mA

In/Output:

All I/O circuits fully galvanically isolated from sensor input and supply

Load Cell Connection:

All strain gauge load cells; 6 or 4 wire connection

Load Cell Supply:

12 V, short-circuit proof. External load cell supply possible

Minimum Load Impedance:

Min. 75 ohm e.g. 6 load cells with 600 ohm or 4 load cells with 350 ohm

Measuring Principle:

Measuring amplifier: Delta-Sigma converter
Measuring time: min 5 ms - max. 1600 ms

Input Range:

7.5 mV (appr. 4.8 Mio. div.)
Usable resolution: 0.2 µV/d

Input Signal:

Measuring signal: 0 to 36 mV
(for 100 % nominal load)

Linearity:

< 0.002 %

Temperature Effects:

Zero: TK0 m < 0.02 µV/K RTI
Span: TKspan < ± 2 ppm/K

Digital Filter for Load Cell:

4th order (low pass), Bessel, aperiodic or Butterworth

Ethernet Interface (functions):

Ethernet IP and Modbus/TCP
Definition of an IP address: – AutoIP; – DHCP Server classification; – manual entering of an IP address
Automatic detection of signal transmission and corresponding change over (cross-over or patch cable) Webservice via SOAP/UPnP (Simple Object Access Protocol) Synchronal Modbus UDP

Status Indicator:

Status LEDs to signal operation and error conditions.

Analogue Output:

0 to 10 or 4-20 mA, internal resolution 16-bit, usable step-width: 0.5 µA max. load 500 Ω; user configurable

Serial Interfaces:

RS422/485 via screw terminals
Protocol: Remote display, SMA and Minebea digital scales (XBPI-protocol)

Electrical Connections:

All electrical connections via modular screw terminals for 2.5 mm 2 max. System Phoenix/COMBICO

Temperature:

WandM: 14 °F to 104 °F (–10 °C to 40 °C)
Operation: 14 °F to 122 °F (–10 °C to 50 °C)
Storage: –40 °F to 158 °F (–40 °C to 70 °C)

Weight:

Version 00:
Net: 0.29 kg
Versions 01, 04, 06, 07
Net: 0.35 kg

Approvals:

10,000 e class III acc. to EN 45501; according to OIML R76, min. verification interval: 0.5 µV/e

Part Number/Price

| Part # | Type | Minebea Part # | Description | Price |
|--------|-----------|----------------|---|------------|
| 158856 | PR5220/00 | 940515220003 | PR5220 Ethernet Transmitter TCP/IP, 4 to 20 mA | \$1,953.00 |
| 158857 | PR5220/01 | 940515220013 | PR5220 Ethernet Transmitter TCP/IP, 4 to 20 mA with Profibus DP | \$2,350.00 |
| 158858 | PR5220/04 | 940515220043 | PR5220 Ethernet Transmitter TCP/IP, 4 to 20 mA with DeviceNet | \$2,350.00 |
| 158859 | PR5220/06 | 940515220063 | PR5220 Ethernet Transmitter TCP/IP, 4 to 20 mA with ProfiNet | \$2,350.00 |
| 158891 | PR5220/07 | 940515220073 | PR5220 Ethernet Transmitter TCP/IP, 4 to 20 mA with EtherNet IP | \$2,350.00 |

PR5230 Fieldbus Transmitter



The fieldbus transmitter PR5230 is a product for readout and transmit weight values to installed networks and control systems. LCD display is configurable and displays up to 10 items, and can be installed at the process. Through the different interface upgrade possibilities and the robust stainless steel housing, the PR5230 is an innovative and flexible process unit.

PRECISION INDUSTRIAL WEIGHING

Load Cell Certifications



Standard Features

- IP66, stainless steel, electro-polished construction
- Display for weight and status information
- OIML approval for 10,000e, and an internal resolution of 4 and 8 Mio. counts
- SmartCalibration feature for fast calibration even without weights
- Serial Interface RS-485/422 and RS-232
- Option cards: Analog output 0 to 10 or 4-20 mA, DeviceNet and Ethernet/IP
- Load cell connection board for up to four load cells

Specifications

Housing:

Stainless steel electro-polished
IP66, RoHS compliant

Dimensions:

(L × W × H)
13.78 × 9.84 × 5.91 in
(350 × 250 × 150 mm)

Weight:

Net: 1.45 kg (3.2 lb)

Specifications (cont.)

Display and Status:

LCD, transfective, back-lit
Weight: 6-digits
Size: 128 × 64-pixel, graphic
Information can be configured
Status LEDs to signal operation and error conditions

Internal Keys:

In the housing: 3 keys for Zero, Tare, Test

Supply Voltage:

230 VAC, (+10/-15%): 24 VDC, (± 20%)

Power Consumption:

11 W

Control Outputs:

Quantity: 3
Relay output, passive
Functions: Limits, weight status
Voltage: max. 30 VDC
Current: max. 30 mA

Control Inputs:

Quantity: 3 opto-isolated input, passive
Functions: zero setting, taring
Voltage: max. 30 VDC
Current: max. 10 mA

Specifications (cont.)

Remote I/O:

The I/O can be set internally via a function and remote via fieldbus or PC

In/Output:

All I/O circuits fully galvanically isolated from sensor input and supply 3 inputs/3 outputs (relays)

Load Cell Connection:

All strain gauge load cells; 6 or 4 wire connection

Load Cell Supply:

12 V, short-circuit proof. External load cell supply possible.

Minimum Load Impedance:

Min. 75 ohm (e.g. 6 load cells with 600 ohm or 4 load cells with 350 ohm)

Measuring Principle:

Measuring amplifier: Delta-Sigma converter
Measuring time: min 5 ms – max. 1600 ms

Accuracy:

7.5 nV (appr. 4.8 Mio. div.)

Usable Resolution:

0.2 µV/d

LC Input Signal:

Measuring signal: 0 bis 36 mV
(for 100 % nominal load)

WandM Approval (in preparation):

10,000 e class III acc. to EN 45501; according to OIML R76, min. verification interval: 0.5 µV/e at 160 ms

Linearity:

< 0.003 %

Temperature Effects:

Zero: TK0 m < 0.05 µV/K
RTI

Span: TKspan < ±2.5 ppm/K

Digital Filter for Load Cell:

4th order (low pass), Bessel, aperiodic or Butterworth Ethernet Interface for Optional IP Card: Ethernet TCP/IP and Modbus® TCP
Definition of an IP address: – AutoIP; – DHCP Server classification; – manual entering of an IP address
Automatic detection of signal transmission and corresponding change over (cross-over or patch cable)
Web service via SOAP/UPnP (Simple Object Access Protocol) Synchronal Modbus UDP

Serial Interfaces:

RS 422/485 and RS232 Protocols: Remote Display, SMA, Modbus RTU, printer and Minebea digital scales (XBPI – protocol)

Options Analogue Output PR 5230/06 (C11):

0-10 VDC or 4 -20 mA, internal resolution 16 bit, usable stepwidth: 0.5 µA max. load 500 Ω, user configurable

Fieldbus PR 1721/4x (C2x):

Profibus®-DP, Interbus-S, DeviceNet®, CC-Link, Profinet® and EtherNet/IP®

Load Cell Connection Board

PR 5230/22 (C31):

For the internal connection of up to 4 load cells (instead using a cable junction box)

Temperature:

WandM: 14 °F to 104 °F (-10 °C to 40 °C)
Operation: 14 °F to 122 °F (-10 °C to 50 °C)
Storage: -4 °F to 158 °F (-20 °C to 70 °C)

ATEX Approvals PR 5230:

II 3G Ex nA nC IIC T4
II 3D Ex tD A22 IP6X T80° C
SAG 09ATEX004X
II (2)G [Ex ib IIC
II (2)D [Ex ibD
KEMA 10 ATEX 0065 X

Part Number/Price

| Part # | Type | Minebea Part # | Description | Price |
|--------|-----------|----------------|-------------------------------------|------------|
| 158861 | PR5230/00 | 9405 152 30000 | PR5230 transmitter in field housing | \$2,754.00 |

Options/Accessories

| Part # | Type | Minebea Part # | Description | Price |
|--------|-----------|----------------|--|------------|
| 158863 | PR1721/57 | 9405 317 21571 | EtherNet IP interface module | \$1,265.00 |
| 158864 | PR1721/44 | 9405 317 21441 | DeviceNet interface module | \$1,110.00 |
| 160431 | PR5230/06 | 9405 352 30061 | 0 to 10 or 4 to 20 mA interface module | \$204.00 |

DIGI® DSX-1000

High Precision Checkweigher



Standard Features

- Full color touchscreen display
- Six-digit display
- Splash-proof housing
- RS-232C interface

Specifications

Power AC:

100 to 240 V

Power Consumption:

22 W

Temperature:

Operating:
14 °F to 104 °F (-10 °C to 40 °C)

Humidity:

15% to 85% relative humidity

Resolution:

Internal: 300,000 counts

Warranty:

Two-year limited

Approvals:

UL

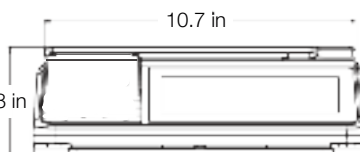
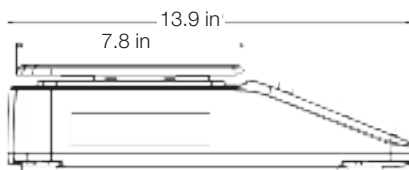
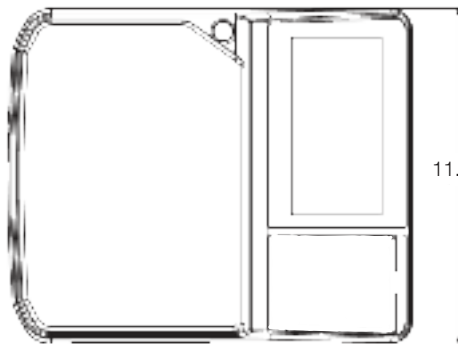
PRECISION
INDUSTRIAL WEIGHING

Approvals

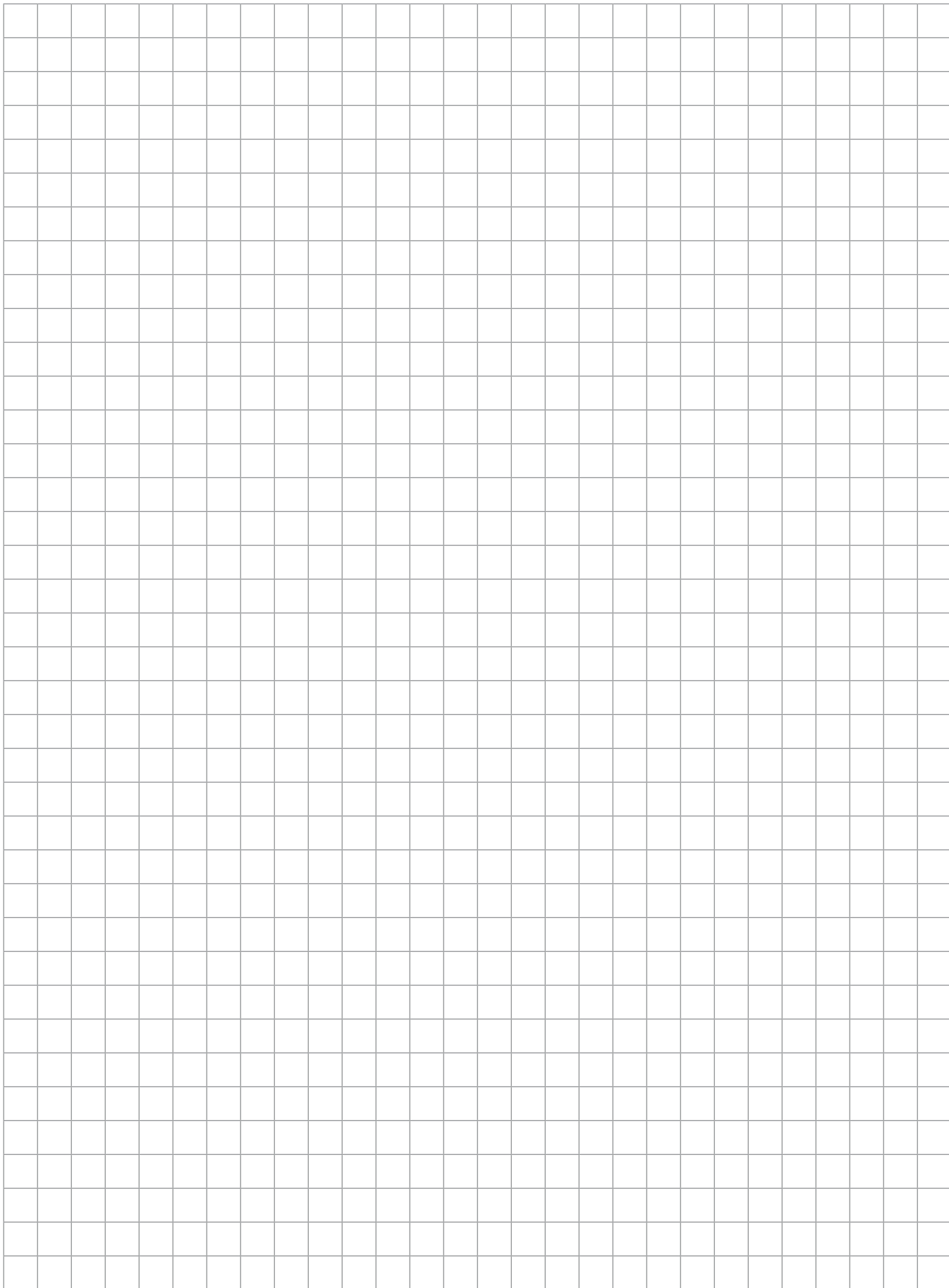


Part Number/Price

| Part # | Description | Price |
|--------|--------------|----------|
| 178183 | 600 × 0.05 g | \$685.00 |
| 178185 | 6 kg × 0.5 g | \$685.00 |
| 178187 | 15 kg × 2 g | \$685.00 |



**PRECISION
INDUSTRIAL WEIGHING**



Printers

Table of Contents

| | |
|--|--|
| Rice Lake SURVIVOR® SST4™ 894 | DTL Plus/DTT 917 |
| <i>Washdown Label Printer</i> | <i>Direct Thermal Labels</i> |
| Rice Lake GUARDIAN™ 895 | DTL-SYN 917 |
| <i>Stainless Steel Printer Enclosure</i> | <i>Direct Thermal Label</i> |
| Rice Lake GUARDIAN G-2™ 895 | TTL 918 |
| <i>Steel Printer Enclosure</i> | <i>Thermal Transfer Label</i> |
| Rice Lake POLY GUARD 896 | Fantastock 918 |
| <i>Clear Printer Enclosure</i> | <i>Thermal Transfer Label</i> |
| GoDEX® DT2x 897 | TTT Standard 919 |
| <i>Direct Thermal Label Printer</i> | SDR Super Durable Ribbon 919 |
| GoDEX® DT4x+ 898 | MaxWax™ GPR 920 |
| <i>Direct Thermal Label Printer</i> | <i>General-Purpose Ribbon</i> |
| GoDEX® G500 899 | Tape and Ticket Printer |
| <i>Direct Thermal/Thermal Transfer Label Printer</i> | Impact Ribbons 921 |
| GoDEX® GX4000i Series 900 | Tape Printer Paper Supplies 922 |
| <i>Direct Thermal Label Printer</i> | Electronic Scale Tickets 923 |
| GoDEX® ZX1200i+ 901 | Mechanical Scale Tickets 924 |
| <i>Direct Thermal Label Printer</i> | <i>Create Your Own Custom Ticket</i> |
| GoDEX® ZX400i+ Series 902 | Replacement Printheads 925 |
| <i>Direct Thermal Printer</i> | Printer Cables 926 |
| Honeywell® PD45S 903 | Dust Covers 927 |
| <i>Direct Thermal/Thermal Transfer Label Printer</i> | |
| Honeywell® PM45 904 | |
| <i>Direct Thermal/Thermal Transfer Label Printer</i> | |
| Honeywell® PX940 905 | |
| <i>Direct Thermal/Thermal Transfer Label Printer</i> | |
| EPSON® TM-T88VI 906 | |
| <i>Direct Thermal POS Receipt Printer</i> | |
| EPSON® TM-U220 907 | |
| <i>Tape Printer</i> | |
| EPSON® TM-U295 908 | |
| <i>Ticket Printer</i> | |
| EPSON® TM-U590 909 | |
| <i>Ticket Printer</i> | |
| Star® SP742 910 | |
| <i>Dot Matrix Printers</i> | |
| Star® TSP 847 911 | |
| <i>Receipt Thermal Printer</i> | |
| Star® TSP743 II 912 | |
| <i>Direct Thermal Printer</i> | |
| Zebra® ZD411 913 | |
| <i>Label Printer</i> | |
| Zebra® ZD421 914 | |
| <i>Direct Thermal Label Printer</i> | |
| Zebra® ZQ630 915 | |
| <i>Direct Thermal Mobile Printer</i> | |
| DTL 916 | |
| <i>Direct Thermal Label</i> | |

Product names, logos, brands and other trademarks featured or referred to within this publication are the property of their respective trademark holders.

Rice Lake SURVIVOR® SST4™

Washdown Label Printer



Standard Features

- Washdown enclosure
- Direct thermal
- 203 dpi printhead
- Label length detection
- Real-time clock
- USB, serial or parallel communications
- Line mode

Options

- Thermal transfer
- Heater
- Bluetooth®
- Wireless LAN (802.11 b/g/n)
- External label roll holder for 10 in (250 mm) OD label rolls
- External label rewinder
- Label dispenser and internal rewinder (factory installed)

Specifications

Print Speed:

10 in per second (254 mm)

Supply Roll Capacity:

8 in (203 mm) O.D. on
1.5 to 3.0 in (38 to 76 mm) core

Bar Code Modulus:

5 mil to 55 mil "X" dimension in picket fence or ladder orientations

Media Width:

4.09 in (104 mm)

Media Type:

Roll fed, die-cut or continuous labels; perforated or continuous tag/ticket stock

Print Length:

0.25 to 99 in (6 mm to 247 cm)

Media Thickness:

0.0025 to 0.0100 in (0.0635 to 0.254 mm)

1-D Bar Codes:

Code 39, Code 93, EAN 8/13 (add on 2 & 5), UPC A/E (add on 2 & 5), I 2 of 5 & I 2 of 5 with Shipping Bearer Bars, Codabar, Code 128 (subset A, B, C), EAN 128, RPS 128, UCC 128, UCC/EAN-128 K-Mart, Random Weight, Post NET, ITF 14, China Postal Code, HIBC, MSI, Plessey, Telepen, FIM, GS1 DataBar, German Post Code, Planet 11 & 13 digit, Japanese Postnet, I 2 of 5 with human readable check digit, Standard 2 of 5, Industrial 2 of 5, Logmars, Code 11, Code 49, Cadablock

2-D Bar Codes:

PDF417, Micro PDF417, Datamatrix code, Maxicode, QR code, Micro QR code and Aztec code

Graphics Support:

PCX and BMP files

Memory:

128 MB FLASH
23 MB SDRAM

Dimensions:

(L × W × H) 24.5 × 12.5 × 15.0 in

Rating/Material:

IP69K, 304 stainless steel

Interfaces:

RS-232, USB, Ethernet TCP/IP

Power Source:

Switching power 100 to 240 VAC, 50/60 Hz input

Temperature:

Operating:
41 °F to 104 °F (5 °C to 40 °C)

Warranty:

One-year limited
Printhead (original):
One-year or 1 million linear inches
Printhead (replacement): 90 days

Part Number/Price

| Part # | Description | Est. Weight | Price |
|--------|--|-------------|------------|
| 209110 | SST4 direct thermal | 70 lb | \$5,230.00 |
| 209111 | SST4 direct thermal with heater installed | 70 lb | \$5,945.00 |
| 209112 | SST4 direct thermal with Wi-Fi | 70 lb | \$6,590.00 |
| 209113 | SST4 direct thermal with Wi-Fi and heater installed | 70 lb | \$7,275.00 |
| 209114 | SST4 direct thermal with internal rewind | 70 lb | \$5,790.00 |
| 209115 | SST4 direct thermal with internal rewind and heater installed | 70 lb | \$6,520.00 |
| 209116 | SST4 direct thermal with internal rewind and Wi-Fi | 70 lb | \$7,170.00 |
| 209117 | SST4 direct thermal with internal rewind, Wi-Fi and heater installed | 70 lb | \$7,899.00 |

Options/Accessories

| Part # | Description | Price |
|--------|--|----------|
| 111121 | Heater kit for SST4 115 VAC (for installs after printer has been purchased) | \$730.00 |
| 111872 | Heater kit for SST4, 230 VAC (for installs after printer has been purchased) | \$535.00 |
| 35664 | Pre-saturated cleaning cards, 4 × 6 in, 25/box | \$60.00 |
| 93181 | Film, printhead cleaning 4 in wide, three/box | \$21.50 |

Label Stock/Ribbon (W × L)

| | | |
|--------|---|--------------|
| 21776 | Direct thermal, 3 × 3 in, 8 in diameter with perf., 2,000/roll | \$70.00/roll |
| 150921 | Direct thermal, 4 × 6 in, 8 in diameter with perf., 1,000/roll | \$36.50/roll |
| 25975 | Direct thermal, 4.25 × 2.5 in, 6 in diameter with perf., 1,095/roll | \$30.75/roll |
| 21785 | Thermal transfer, 2 × 1 in, 8 in diameter, 5,500/roll | \$15.55/roll |
| 21788 | Thermal transfer, 4 × 6 in, 8 in diameter, 1,000/roll | \$21.50/roll |
| 20573 | Thermal transfer, 4 × 6.5 in, 8 in diameter, 900/roll | \$23.00/roll |
| 126629 | Thermal kit, (4) 4 in labels, (2) 4 in ribbons and cleaning card | \$170.00 |
| 34056 | Wax ribbon, black, 4 in 1,182 ft (required for thermal transfer labels) | \$30.50/roll |

Maintenance/Replacement Components

| | | |
|--------|-------------------------|----------|
| 209107 | Printhead 203 dpi, SST4 | \$260.00 |
| 209136 | Board, main | \$345.00 |
| 209137 | Power supply | \$235.00 |
| 209138 | Display, front panel | \$245.00 |
| 209139 | Power cord | \$15.00 |

Cables

| | | |
|---------|---|----------|
| 41276 | DB9 male RS-232 serial data cable with blunt end (Rice Lake indicators) | \$77.00 |
| 64794 | DB9 RS-232 serial data cable with DB9F to DB9M | \$69.00 |
| 79074 | USB-A (male) to USB-B (male) cable, 6 ft | \$35.00 |
| Consult | Custom 20 mA/RS-232 serial interface cable | \$100.00 |

Custom cables are designed to interface with your specific equipment.

Please specify equipment model number and connector type.

Standard cable length is 5 ft. \$2.00 charge for each additional foot.

Rice Lake GUARDIAN™

Stainless Steel Printer Enclosure



Guardian Plus/Guardian Max

Standard Features

- Designed to protect various printers from harsh washdown environments
- Single lift-and-turn latch for easy access
- Adjustable anti-skid feet for easy leveling alignment and cleaning under unit
- Sliding label-access door
- Heavy-gauge 304 stainless steel construction for durability

Specifications

Enclosure:

Stainless steel; piano-style hinge

Dimensions:

(L × W × H)
21.25 × 14.25 × 14.25 in
(540 × 361 × 361 mm)

Warranty:

One-year limited

Part Number/Price

| Part # | Description | Est. Weight | Price |
|--------|---|-------------|------------|
| 66762 | Guardian stainless steel printer enclosure for Honeywell® I-4206, I-4208, I-4308, I-4212, Mark II PM45 and PD45SS | 38 lb | \$5,700.00 |

Consult factory for additional models and pricing

PRINTERS

Rice Lake GUARDIAN G-2™

Steel Printer Enclosure



Guardian G-2

Standard Features

- Designed to protect various printers from harsh washdown environments
- Single lift-and-turn latch for easy access
- Adjustable anti-skid feet for easy leveling alignment and cleaning under unit
- Sliding label-access door
- Heavy-gauge 304 stainless steel construction for durability

Specifications

Enclosure:

304 stainless steel

Dimensions:

(L × W × H)
18.50 × 12.75 × 8.25 in
(324 × 209.5 × 469.9 mm)

Warranty:

One-year limited

Part Number/Price

| Part # | Description | Est. Weight | Price |
|--------|---------------------------------|-------------|------------|
| 78672 | Guardian, G-2 for Zebra TLP2844 | 30 lb | \$1,210.00 |
| 99465 | Guardian, G-2, LP2844, GKD | 30 lb | \$1,210.00 |
| 107638 | Guardian, G-2 RL-42DT, DT4 | 30 lb | \$1,210.00 |
| 107639 | Guardian, G-2 RL-42TT, G500 | 30 lb | \$1,210.00 |

Options/Accessories

| Part # | Description | Price |
|--------|---------------|----------|
| 46341 | Heater option | \$225.00 |
| 46342 | Fan option | \$120.00 |

Rice Lake POLY GUARD

Clear Printer Enclosure



Standard Features

- Designed for use in meat and food processing plants
- Cover separates from bottom
- Power and data cable feed through sealed notch in back of enclosure
- Side door for easy label loading

Specifications

Enclosure:

0.25 in polycarbonate
Base-natural polyethylene (butcher's block)

Dimensions:

(L x W x H)
24.50 x 14.00 x 14.75 in
Add 0.50 in sides for latches and 0.50 in side door

Warranty:

90-day limited

Part Number/Price

| Part # | Description | Est. Weight | Price |
|---------|--|-------------|------------|
| 88532 | Enclosure, Honeywell® I-Class (PM45 and PD45S) | 24 lb | \$1,530.00 |
| Consult | Additional models available | 24 lb | Consult |

Options/Accessories

| Part # | Description | Price |
|---------|----------------------------|---------|
| Consult | Ventilation fan | Consult |
| Consult | Heater assembly with power | Consult |

PRINTERS



Standard Features

- Auto language emulations GEPL, GZPL
- Free GoLabel design software for EZPL
- 203 dpi
- 32-bit CPU
- Drop-in media loading
- USB or RS-232 interface (DB-9F)
- Plain, gap label, black, mark or fanfold label
- Label length detection
- Direct thermal
- Serrated tear bar

Specifications

Print Speed:

Up to 7 ips

Print Length:

Min: 0.16 in
Max: 68 in

Print Width:

2.12 in

Media:

Types: Continuous form, gap labeling, black mark sensing and punched sensing
Thickness: Min. 0.0024 in - Max. 0.01 in
Label Roll Diameter: Max. 5 in
Core Diameter: Min. 1 in - Max. 1.5 in

Resident Fonts:

Bitmap fonts 8 times expandable in horizontal and vertical directions
11 resident alphanumeric fonts (included OCR A and B) are expandable eight times horizontally and vertically

1-D Bar codes:

China Postal Code, Codabar, Code 11, Code 32, Code 39, Code 93, Code 128 (subset A, B, C), EAN-8/ EAN-13 (with 2 & 5 digits extension), EAN 128, FIM, German Post Code, GS1 DataBar, HIBC, Industrial 2 of 5, Interleaved 2-of-5 (I 2 of 5), Interleaved 2-of-5 with Shipping Bearer Bars, ISBT-128, ITF 14, Japanese Postnet, Logmars, MSI, Postnet, Plessey, Planet 11 & 13 digit, RPS 128, Standard 2 of 5, Telepen, Matrix 2 of 5, UPC-A/UPC-E (with 2 or 5 digit extension), UCC/EAN-128 K-Mart, Random Weight and Pharmacode

2-D Bar codes:

Aztec code, Code 49, Codablock F, Datamatrix code, Maxi Code, Micro PDF417, Micro QR code, PDF417, QR code, TLC 39, GS1 Composite, Dot Code, Macro PDF4 17

Memory:

4 MB flash

Interfaces:

USB 2.0 (Type B)
Serial Port (RS-232)
Ethernet 10/100 Mbps

Power:

Auto Switching 100/240 VAC, 50/60 Hz

Temperature:

Operating:
41 °F to 104 °F (5 °C to 40 °C)
Storage:
-4 °F to 122 °F (-20 °C to 50 °C)

Dimensions:

(L × W × H)
8.58 × 3.94 × 6.77 in
(218 × 100 × 172 mm)

Warranty:

Two-year limited

Approvals:

CE (EMC)
FCC Class A
CB
cUL
CCC

Approvals



Part Number/Price

| Part # | Description | Est. Weight | Price |
|---------------|---|-------------|----------|
| 167515 | DT2x 2 in direct thermal, time and date 10/240 VAC printer | 3 lb | \$365.00 |
| 167626 | Label peeler, black | — | \$41.00 |
| 167627 | Cutter, black | — | \$210.00 |
| 107532 | Printhead | — | \$120.00 |
| Cables | | | |
| 41276 | 6 ft serial cable DB9 M to blunt end (Rice Lake indicators) | — | \$77.00 |
| 79074 | USB-A (male) to USB-B (male) cable, 6 ft | — | \$35.00 |
| 64661 | 6 ft serial cable DB9 M to 8-Pin DIN | — | \$69.00 |
| 64660 | 6 ft serial cable DB9 M to DB9 male | — | \$69.00 |
| Consult | Custom RS-232 serial cable | — | \$100.00 |

Options/Accessories

| Part # | Description | Price |
|---------------------------|--|--------------|
| 38941 | Cleaning pen for open printhead printers 12/box | \$60.00 |
| 35664 | Cleaning cards, (W × L) 4 × 6 in for RL-42DT and RL-42TT | \$60.00 |
| 111085 | Power supply, printers | \$170.00 |
| 15438 | Power cord, detachable | \$25.00 |
| Label Stock/Ribbon | | |
| 110347 | Direct thermal, (W × L) 2.25 × 1.25 in, 5 in diameter with perf., 2,100/roll | \$15.50/roll |
| 40332 | Direct thermal, (W × L) 2.25 × 2 in, 5 in diameter with perf., 1,445/roll | \$17.00/roll |
| 110348 | Direct thermal, (W × L) 2.25 × 3 in, 5 in diameter with perf., 950/roll | \$16.50/roll |
| 110349 | Direct thermal, (W × L) 2.25 × 4 in, 5 in diameter with perf., 700/roll | \$15.00/roll |
| 65617 | Direct thermal, (W × L) 2.25 × 4.5 in, 5 in diameter with perf., 600/roll | \$17.50/roll |
| 110346 | Direct thermal, (W × L) 1.20 × 0.85 in, 5 in diameter with perf., 2,710/roll | \$15.00/roll |
| 47761 | Direct thermal, (W × L) 2.5 × 121 ft, continuous 12 rolls/case | \$93.00/case |



GoDEX® DT4x+

Direct Thermal Label Printer



Approvals



Standard Features

- Auto language emulations GEPL, GZPL
- Free GoLabel design software for EZPL or Q-Label
- 203 dpi
- 32-bit CPU
- Drop-in media loading
- USB, Ethernet and RS-232 interface
- Plain, gap label, black, mark or fanfold label
- Label length detection

Part Number/Price

| Part # | Description | Est. Weight | Price |
|---------------|---|-------------|------------|
| 167516 | DT4x+ 4 in direct thermal, 110/240 VAC printer | 4 lb | \$405.00 |
| 167628 | Label peeler, black | — | \$57.50 |
| 167629 | Cutter, black | — | \$210.00 |
| 150743 | Printhead | — | \$205.00 |
| 107638 | Guardian enclosure | — | \$1,210.00 |
| Cables | | | |
| 41276 | 6 ft serial cable DB9 M to blunt end (Rice Lake indicators) | — | \$77.00 |
| 79074 | USB-A (male) to USB-B (male) cable, 6 ft | — | \$35.00 |
| 64661 | 6 ft serial cable DB9 M to 8-Pin DIN | — | \$69.00 |
| 64660 | 6 ft serial cable DB9 M to DB9 male | — | \$69.00 |
| Consult | Custom RS-232 serial cable | — | \$100.00 |

Options/Accessories

| Part # | Description | Price |
|---------------------------|--|--------------|
| 38941 | Cleaning pen for open printhead printers 12/box | \$60.00 |
| 35664 | Cleaning cards, (W × L) 4 × 6 in for RL-42DT and RL-42TT | \$60.00 |
| 111085 | Power supply, printers | \$170.00 |
| 15438 | Power cord, detachable | \$25.00 |
| 193466 | Real-time clock for DT4xW | \$21.00 |
| Label Stock/Ribbon | | |
| 53251 | Direct thermal, (W × L) 4 × 3 in, 5 in diameter with perf., 930/roll | \$32.00/roll |
| 40331 | Direct thermal, (W × L) 4 × 4 in, 5 in diameter with perf., 745/roll | \$34.00/roll |
| 37345 | Direct thermal, (W × L) 4 × 6 in, 5 in diameter with perf., 450/roll | \$24.00/roll |

Specifications

Print Speed:

Up to 7 ips

Print Length:

Min: 0.16 in

Max: 68 in

Print Width:

4.25 in

Media:

Types: Continuous form, gap labeling, black mark sensing and punched sensing

Thickness: Min. 0.0024 in - Max. 0.008 in

Label Roll Diameter: Max. 5.0 in

Core Diameter:

Min. 1 in, Max. 1.5 in

Resident Fonts:

Bitmap fonts 8 times expandable in horizontal and vertical directions

11 resident alphanumeric fonts (included OCR A and B) are expandable eight times horizontally and vertically

Printer Language:

EZPL, GEPL, GZPL, GDPL auto switch

Bar Codes:

Code 39, Code 93, Code 128 (subset A, B, C), UCC/EAN - 128 K-Mart, UCC/EAN - 128, UPC A/E (add on 2 and 5) 2 of 5, EAN 8/13 (add on 2 and 5) Codabar, Post Net, EAN 128, DUN 14, MaxiCode, HIBC, Plessey, Random Weight, Telepen, FIM, China Postal Code, RPS 128, PDF 417, Datamatrix code, QR Code

Memory:

8 MB flash

Interfaces:

USB 2.0 (Type B)

Serial Port (RS-232)

Ethernet 10/100 Mbps

Power:

Auto Switching 100/240 VAC, 50/60 Hz

Temperature:

Operating:

41 °F to 104 °F (5 °C to 40 °C)

Storage:

-4 °F to 122 °F (-20 °C to 50 °C)

Dimensions:

(L × W × H)

8.58 × 6.61 × 6.53 in

(218 × 168 × 166 mm)

Warranty:

Two-year limited

Approvals:

CE (EMC)

FCC Class A

CB

cUL

CCC



Approvals



Standard Features

- Auto language emulations GEPL, GZPL
- Free GoLabel design software for EZPL or Q Label
- 203 dpi
- 32-bit CPU
- Drop-in media loading
- USB or RS-232 (DB-9F) interface
- Plain, gap label, black, mark or fanfold label
- Label length detection

Part Number/Price

| Part # | Description | Est. Weight | Price |
|---------------|---|-------------|------------|
| 132425 | G500 4 in direct/thermal transfer, 110/240 VAC printer | 6 lb | \$615.00 |
| 150744 | Label peeler, black | — | \$42.00 |
| 150745 | Cutter | — | \$450.00 |
| 150746 | Printhead | — | \$205.00 |
| 107639 | Guardian enclosure | — | \$1,210.00 |
| Cables | | | |
| 41276 | 6 ft serial cable DB9 M to blunt end (Rice Lake indicators) | — | \$77.00 |
| 79074 | USB-A (male) to USB-B (male) cable, 6 ft | — | \$35.00 |
| 64661 | 6 ft serial cable DB9 M to 8-Pin DIN | — | \$69.00 |
| 64660 | 6 ft serial cable DB9 M to DB9 male | — | \$69.00 |
| Consult | Custom RS-232 serial cable | — | \$100.00 |

Options/Accessories

| Part # | Description | Price |
|---------------------------|--|--------------|
| 38941 | Cleaning pen for open printhead printers 12/box | \$60.00 |
| 35664 | Cleaning cards, (W × L) 4 × 6 in for RL-42DT and RL-42TT | \$60.00 |
| 111085 | Power supply, printers | \$170.00 |
| 15438 | Power cord, detachable | \$25.00 |
| Label Stock/Ribbon | | |
| 53261 | Thermal transfer, (W × L) 4 × 3 in, 5 in diameter with perf., 930/roll | \$29.00/roll |
| 178965 | Ribbon (black), 4.3 in wax/resin, 984 ft length | \$30.00/roll |
| 110537 | Ribbon (black), 2.5 in wax/resin, 984 ft length | \$10.00/roll |

Specifications

Print Speed:

Up to 5 ips

Print Length:

Min: 0.16 in

Max: 68 in

Print Width:

4.25 in

Media:

Types: Continuous form, gap labeling, black mark sensing and punched sensing

Thickness: Min. 0.0024 in - Max. 0.008 in

Label Roll Diameter:

Max. 5.0 in

Core Diameter: Min. 1 in - Max. 1.5 in

Printer Language:

GZPL or GEPL, EZ PL auto switch

Resident Fonts:

Bitmap fonts 8 times expandable in horizontal and vertical directions

11 resident alphanumeric fonts (included OCR A and B) are expandable eight times horizontally and vertically

Bar Codes:

Code 39, Code 93, Code 128 (subset A, B, C,) UCC/ EAN - 128 K-Mart, UCC/EAN - 128, UPC A/E (add on 2 and 5,) 2 of 5, EAN 8/13 (add on 2 and 5,) Codabar, Post Net, EAN 128, DUN 14, MaxiCode, HIBC, Plessey, Random Weight, Telepen, FIM, China Postal Code, RPS 128, PDF 417, Datamatrix code, QR Code

Memory:

8 MB flash

Interfaces:

USB 2.0 (Type B)

Serial Port (RS-232)

Ethernet (RJ-45)

Power:

Auto Switching 100/240 VAC, 50/60 Hz

Temperature:

Operating: 41 °F to 104 °F (5 °C to 40 °C)

Storage: -4 °F to 122 °F (-20 °C to 50 °C)

Dimensions:

(L × W × H)

11.2 × 8.9 × 6.8 in

(285 × 226 × 171 mm)

Warranty:

Two-year limited

Approvals:

CE (EMC)

FCC

Class A

CB

UL

GoDEX® GX4000i Series

Direct Thermal Label Printer



Approvals



Standard Features

- Thermal transfer/direct thermal
- Free GoLabel and GoLabel II design software
- 32-bit RISC CPU
- Equipped with a 5 in LCD touchscreen
- Aluminum cast frame

GoDEX GX4200i

- Resolution: 203 dpi
- Print Speed: Up to 16 ips
- Print Length: Min. 0.16 in - Max. 279.53 in

GoDEX GX4300i

- Resolution: 300 dpi
- Print Speed: Up to 12 ips
- Print Length: Min. 0.16 in - Max. 125.98 in

Part Number/Price

| Part # | Description | Est. Weight | Price |
|-----------------|--|-------------|------------|
| GX 4200i | | | |
| 222248 | Printer, Label GX4200i GX4200i, 203 dpi, DT, TT, 16 UPS, SUB, RS232, Ethernet, 5 in, Color Touchscreen | 30 lb | \$2,395.00 |
| GX 4300i | | | |
| 222250 | Printer, Label GX4300i, 300 DPI, DT, TT, 12 IPS, USB, RS232 Ethernet, 5 in Color Touchscreen | 30 lb | \$2,495.00 |

Options/Accessories

| Part # | Description | Price |
|-----------------------------------|---|--------------|
| 225332 | Wi-Fi module | \$250.00 |
| Label Stock/Ribbon (W × L) | | |
| 21776 | Direct thermal, 3 × 3 in, 8 in diameter with perf., 2,000/roll | \$70.00/roll |
| 150921 | Direct thermal, 4 × 6 in, 6 in diameter with perf., 1,000/roll | \$36.50/roll |
| 25975 | Direct thermal, 4.25 × 2.5 in, 6 in diameter with perf., 1,095/roll | \$30.75/roll |
| 21785 | Thermal transfer, 2 × 1 in, 8 in diameter, 5,500/roll | \$15.55/roll |
| 21788 | Thermal transfer, 4 × 6 in, 8 in diameter, 1,000/roll | \$21.50/roll |
| 20573 | Thermal transfer, 4 × 6.5 in, 8 in diameter, 900/roll | \$23.00/roll |
| 34056 | Ribbon, black, 4 in, 1,181 ft, wax | \$30.50/roll |
| 126629 | Thermal kit, (4) 4 × 4 in labels, (2) 4 in ribbons and 1 cleaning card | \$170.00 |
| Cables | | |
| 41276 | DB9 male RS-232 serial data cable with blunt end (Rice Lake indicators) | \$77.00 |
| 64794 | DB9 RS-232 serial data cable with DB9F to DB9M | \$69.00 |
| 37527 | 6 ft parallel cable | \$37.00 |
| 79074 | USB-A (male) to USB-B (male) cable, 6 ft | \$35.00 |
| 225309 | Printhead, 203 dpi | \$315.00 |
| 225310 | Printhead, 300 dpi | \$450.00 |

Specifications

Print Width:

4.09 in

Media:

Types: Continuous form, gap labels, black mark sensing, and punched hole; label length set by auto sensing or programming
 Thickness: Min. 0.0024 in - Max. 0.01 in
 Label Roll Diameter: Max. 8 in
 Core Diameter: Min. 1.5 in - Max. 3 in

Printer Language:

EZPL, GEPL, GZPL, GDPL auto switch

Resident Fonts:

Bitmap fonts 8 times expandable in horizontal and vertical directions
 TTF fonts: (Bold / Italic / Underline) 0°, 90°, 180°, 270° rotatable
 Internal TTF Fonts x 5: Traditional Chinese, Simplified Chinese, Japanese, Korean, Western languages

1-D Bar Codes:

China Postal Code, Codabar, Code 11, Code 32, Code 39, Code 93, Code 128 (subset A, B, C), EAN-8/ EAN-13 (with 2 & 5 digits extension), EAN 128, FIM, German Post Code, GS1 DataBar, HIBC, Industrial 2 of 5, Interleaved 2-of-5 (1 of 5), Interleaved 2-of-5 with Shipping Bearer Bars, ISBT-128, ITF 14, Japanese Postnet, Logmars, MSI, Postnet, Plessey, Planet 11 & 13 digit, RPS 128, Standard 2 of 5, Telepen, Matrix 2 of 5, UPC-A/UPC-E (with 2 or 5 digit extension), UCC/EAN-128 K-Mart, Random Weight and Pharmacode

2-D Bar Codes:

Aztec code, Code 49, Codablock F, Datamatrix code, MaxiCode, Micro PDF417, Micro QR code, PDF417, QR Code, TLC 39, GS1 Composite, DotCode, Marco PDF 417

Memory:

256 MB flash; 256 MB SDRAM

Interfaces:

USB 2.0 (Type B)
 Serial Port (RS-232)
 Ethernet 10/100 Mbps
 USB Host (A-Type)

Power:

Auto Switching 100/240 VAC, 50/60 Hz

Temperature:

Operating: 41 °F to 104 °F (5 °C to 40 °C)
 Storage: -4 °F to 140 °F (-20 °C to 60 °C)

Dimensions:

(L × W × H)
 18 × 11 × 12 in
 (460 × 269 × 309 mm)

Warranty:

Three-year limited

Approvals:

CE (EMC)
 FCC Class B
 CB
 cULus
 UKCA
 BSMI
 ICES-003



Approvals



Standard Features

- Auto language emulations GDPL
- Free GoLabel design software for EZPL
- Thermal transfer/direct thermal
- 32-bit MPU
- All-metal frame structure
- Various output options
- Supports high-volume printing jobs
- Full range adjustable media sensors

Part Number/Price

| Part # | Description | Est. Weight | Price |
|--------|---|-------------|------------|
| 209082 | Printer, Label ZX1200i+ With Color Touch Display, USB, Serial, Ethernet. 203 dpi. | 30 lb | \$1,695.00 |
| 209083 | Printer, Label ZX1200i+ With Color Touch Display, USB, Serial, Ethernet. 203 dpi. With Wi-Fi | 30 lb | \$1,790.00 |
| 209084 | Printer, Label ZX1200i+ With Color Touch Display, USB, Serial, Ethernet. 203 dpi. With Internal Rewind | 30 lb | \$1,990.00 |
| 209085 | Printer, Label ZX1200i+ With Color Touch Display, USB, Serial, Ethernet. 203 dpi. With Internal Rewind, and Wi-Fi | 30 lb | \$2,185.00 |

Options/Accessories

| Part # | Description | Price |
|-----------------------------------|---|--------------|
| Label Stock/Ribbon (W × L) | | |
| 21776 | Direct thermal, 3 × 3 in, 8 in diameter with perf., 2,000/roll | \$70.00/roll |
| 150921 | Direct thermal, 4 × 6 in, 6 in diameter with perf., 1,000/roll | \$36.50/roll |
| 25975 | Direct thermal, 4.25 × 2.5 in, 6 in diameter with perf., 1,095/roll | \$30.75/roll |
| 21785 | Thermal transfer, 2 × 1 in, 8 in diameter, 5,500/roll | \$15.55/roll |
| 21788 | Thermal transfer, 4 × 6 in, 8 in diameter, 1,000/roll | \$21.50/roll |
| 20573 | Thermal transfer, 4 × 6.5 in, 8 in diameter, 900/roll | \$23.00/roll |
| 34056 | Ribbon, black, 4 in, 1,181 ft, wax | \$30.50/roll |
| 126629 | Thermal kit, (4) 4 × 4 in labels, (2) 4 in ribbons and 1 cleaning card | \$170.00 |
| Cables | | |
| 41276 | DB9 male RS-232 serial data cable with blunt end (Rice Lake indicators) | \$77.00 |
| 64794 | DB9 RS-232 serial data cable with DB9F to DB9M | \$69.00 |
| 37527 | 6 ft parallel cable | \$37.00 |
| 79074 | USB-A (male) to USB-B (male) cable, 6 ft | \$35.00 |
| 209107 | Printhead, 203 dpi | \$260.00 |

Specifications

Print Speed:

Up to 10 ips

Print Length:

Min: 0.16 in
Max: 279.53 in

Print Width:

4.09 in

Media:

Types: Continuous form, gap labels, black mark sensing, and punched hole; label length set by auto sensing or programming
Thickness: Min. 0.0024 in - Max. 0.01 in
Label Roll Diameter: Max. 8 in
Core Diameter: Min. 1.5 in - Max. 3 in

Printer Language:

EZPL, GEPL, GZPL, GDPL auto switch

Resident Fonts:

Bitmap fonts 8 times expandable in horizontal and vertical directions
TTF fonts: (Bold/Italic/Underline) 0°, 90°, 180°, 270° rotatable
internal TTF fonts x 5: traditional Chinese, simplified Chinese, Japanese, Korean, western languages

1-D Bar Codes:

China Postal Code, Codabar, Code 11, Code 32, Code 39, Code 93, Code 128 (subset A, B, C), EAN-8/ EAN-13 (with 2 & 5 digits extension), EAN 128, FIM, German Post Code, GS1 DataBar, HIBC, Industrial 2 of 5, Interleaved 2-of-5 (1 2 of 5), Interleaved 2-of-5 with Shipping Bearer Bars, ISBT-128, ITF 14, Japanese Postnet, Logmars, MSI, Postnet, Plessey, Planet 11 & 13 digit, RPS 128, Standard 2 of 5, Telepen, Matrix 2 of 5, UPC-A/UPC-E (with 2 or 5 digit extension), UCC/EAN-128 K-Mart and Random Weight

2-D Bar Codes:

Aztec code, Code 49, Codablock F, Datamatrix code, MaxiCode, Micro PDF417, Micro QR code, PDF417, QR code, TLC 39, GS1 Composite

Memory:

256 MB flash

Interfaces:

USB 2.0 (Type B)
Serial Port (RS-232)
Ethernet 10/100 Mbps
USB Host (A-Type)

Power:

Auto Switching 100/240 VAC, 50/60 Hz

Temperature:

Operating: 41 °F to 104 °F (5 °C to 40 °C)
Storage: -4 °F to 140 °F (-20 °C to 60 °C)

Dimensions:

(L × W × H)
18.3 × 10.6 × 12.3 in
(465 × 269 × 312 mm)

Warranty:

Three-year limited

Approvals:

CE (EMC)
FCC Class B
CB
cULus
UKCA
BSMI
ICES-003

GoDEX® ZX400i+ Series

Direct Thermal Printer



Approvals



Standard Features

- Thermal transfer/direct thermal
- Free GoLabel II design software
- Auto language emulations GDPL
- 32-bit RISC CPU
- Die-cast frame

GoDEX ZX420i+

- Resolution: 203 dpi
- Print Speed: Up to 6 ips
- Print Width: 4.25 in
- Print Length: Min. 0.16 in - Max. 279.53 in

GoDEX ZX430i+

- Resolution: 300 dpi
- Print Speed: Up to 4 ips
- Print Width: 4.16 in
- Print Length: Min. 0.16 in - Max. 125.98 in

Part Number/Price

| Part # | Description | Est. Weight | Price |
|----------------|--|-------------|----------|
| ZX420i+ | | | |
| 222252 | Printer, Label ZX420i+ 203 dpi, DT, TT, 6 IPS, USB, RS232, Ethernet, Color screen with navigation buttons | 24 lb | \$875.00 |
| ZX430i+ | | | |
| 222253 | Printer, Label ZX430i+ 300 dpi, DT, TT, 4 IPS, USB, RS232 Ethernet, Color Screen with push button navigation | 24 lb | \$945.00 |

Options/Accessories

| Part # | Description | Price |
|-----------------------------------|---|--------------|
| Label Stock/Ribbon (W × L) | | |
| 21776 | Direct thermal, 3 × 3 in, 8 in diameter with perf., 2,000/roll | \$70.00/roll |
| 150921 | Direct thermal, 4 × 6 in, 6 in diameter with perf., 1,000/roll | \$36.50/roll |
| 25975 | Direct thermal, 4.25 × 2.5 in, 6 in diameter with perf., 1,095/roll | \$30.75/roll |
| 21785 | Thermal transfer, 2 × 1 in, 8 in diameter, 5,500/roll | \$15.55/roll |
| 21788 | Thermal transfer, 4 × 6 in, 8 in diameter, 1,000/roll | \$21.50/roll |
| 20573 | Thermal transfer, 4 × 6.5 in, 8 in diameter, 900/roll | \$23.00/roll |
| 34056 | Ribbon, black, 4 in, 1,181 ft, wax | \$30.50/roll |
| 126629 | Thermal kit, (4) 4 × 4 in labels, (2) 4 in ribbons and 1 cleaning card | \$170.00 |
| Cables | | |
| 41276 | DB9 male RS-232 serial data cable with blunt end (Rice Lake indicators) | \$77.00 |
| 64794 | DB9 RS-232 serial data cable with DB9F to DB9M | \$69.00 |
| 37527 | 6 ft parallel cable | \$37.00 |
| 79074 | USB-A (male) to USB-B (male) cable, 6 ft | \$35.00 |
| 225395 | Printhead, 203 dpi | \$250.00 |
| 225396 | Printhead, 300 dpi | \$350.00 |

Specifications

Media:

Types: Continuous form, gap labels, black mark sensing, and punched hole; label length set by auto sensing or programming
 Thickness: Min. 0.0024 in - Max. 0.01 in
 Label Roll Diameter: Max. 8 in
 Core Diameter: Min. 1 in - Max. 3 in

Printer Language:

EZPL, GEPL, GZPL, GDPL auto switch

Resident Fonts:

Bitmap fonts 8 times expandable in horizontal and vertical directions
 TTF fonts: (bold/italic/underline) 0°, 90°, 180°, 270° rotatable
 Internal TTF fonts x 5: Traditional Chinese, Simplified Chinese, Japanese, Korean, Western languages

1-D Bar Codes:

China Postal Code, Codabar, Code 11, Code 32, Code 39, Code 93, Code 128 (subset A, B, C), EAN-8/EAN-13 (with 2 & 5 digits extension), EAN 128, FIM, German Post Code, GS1 DataBar, HIBC, Industrial 2 of 5, Interleaved 2-of-5 (1 2 of 5), Interleaved 2-of-5 with Shipping Bearer Bars, ISBT 128, ITF 14, Japanese Postnet, Logmars, MSI, Postnet, Plessey, Planet 11 & 13 digit, RPS 128, Standard 2 of 5, Telepen, Matrix 2 of 5, UPC-A/UPC-E (with 2 or 5 digit extension), UCC/EAN-128 K Mart, Random Weight and Pharmacode

2-D Bar Codes:

Aztec code, Code 49, Codablock F, Datamatrix code, MaxiCode, Micro PDF417, Micro QR code, PDF417, QR code, TLC 39, GS1 Composite, DotCode, Marco PDF 417

Memory:

128 MB flash; 128 MB SDRAM

Interfaces:

USB 2.0 (Type B)
 Serial Port (RS-232)
 Ethernet 10/100 Mbps
 USB Host (A-Type)

Power:

Auto Switching 100/240 VAC, 50/60 Hz

Temperature:

Operating: 41 °F to 104 °F (5 °C to 40 °C)
 Storage: -4 °F to 140 °F (-20 °C to 60 °C)

Dimensions:

(L × W × H)
 15.9 × 10.2 × 10.8 in
 (403 × 260 × 274 mm)

Warranty:

Three-year limited

Approvals:

CE (EMC)
 FCC Class B
 CB
 cULus
 UKCA
 BSMI
 ICES-003
 ENERGY STAR

Honeywell® PD45S

Direct Thermal/Thermal Transfer Label Printer



Approvals



Part Number/Price

| Part # | Description | Est. Weight | Price |
|--------|---|-------------|------------|
| 209079 | Label printer, PD45S thermal transfer, 203 dpi, 115/230 VAC Requires power cord 15438 (sold separately) | 27 lb | \$2,000.00 |
| 209080 | Label printer, PD45S thermal transfer, 203 dpi, 115/230 VAC, with peel and present, internal rewind Requires power cord 15438 (sold separately) | 27 lb | \$2,500.00 |
| 209081 | Label printer, PD45S thermal transfer, 300 dpi, 115/230 VAC, with peel and present, internal rewind Requires power cord 15438 (sold separately) | 27 lb | \$2,600.00 |

Options/Accessories

| Part # | Description | Price |
|-----------------------------------|---|--------------|
| 15438 | US power cord | \$25.00 |
| 35664 | Pre-saturated cleaning cards, 4 x 6 in 25/box | \$60.00 |
| 93181 | Film, printhead cleaning 4 in wide, 3/box | \$21.50 |
| Label Stock/Ribbon (W x L) | | |
| 21776 | Direct thermal, 3 x 3 in, 8 in diameter with perf., 2,000/roll | \$70.00/roll |
| 150921 | Direct thermal, 4 x 6 in, 6 in diameter with perf., 1,000/roll | \$36.50/roll |
| 25975 | Direct thermal, 4.25 x 2.5 in, 6 in diameter with perf., 1,095/roll | \$30.75/roll |
| 21785 | Thermal transfer, 2 x 1 in, 8 in diameter, 5,500/roll | \$15.55/roll |
| 21788 | Thermal transfer, 4 x 6 in, 8 in diameter, 1,000/roll | \$21.50/roll |
| 20573 | Thermal transfer, 4 x 6.5 in, 8 in diameter, 900/roll | \$23.00/roll |
| 34056 | Ribbon, black, 4 in, 1,181 ft, wax | \$30.50/roll |
| 126629 | Thermal kit, (4) 4 x 4 in labels, (2) 4 in ribbons and 1 cleaning card | \$170.00 |
| Printhead | | |
| 209251 | Printhead 203 dpi, Honeywell® PD45S | \$685.00 |
| 209252 | Printhead 300 dpi, Honeywell® PD45S | \$758.00 |
| Cables | | |
| 41276 | DB9 male RS-232 serial data cable with blunt end (Rice Lake indicators) | \$77.00 |
| 64794 | DB9 RS-232 serial data cable with DB9F to DB9M | \$69.00 |
| 37527 | 6 ft parallel cable | \$37.00 |
| 79074 | USB-A (male) to USB-B (male) cable, 6 ft | \$35.00 |

Standard Features

(REPLACING M-CLASS PRINTERS)

- 203 dpi or 300 dpi
- Serial, USB, wired TCP/IP
- Real-time clock
- Color graphical display

Options

- Consult (to be determined)

Specifications

Print Speed:

203 dpi: 2 to 10 ips
300 dpi: 2 to 8 ips

Supply Roll Capacity:

8 in (203 mm) OD on 1.5 to 3.0 in
(38 to 76.2 mm) cores
Fanfold stock accepted from rear and
bottom of printer

Bar Code Modulus:

5 to 55 mil "X" dimension in picket fence
or ladder orientations

Media Width:

0.75 to 4.5 in (17 to 114 mm)

Media Type:

Roll fed or fan-fold materials, die-cut or continuous
labels; perforated or continuous tag/ticket stock

Print Length:

0.25 to 99 in (6 to 2,475 mm)

Media Thickness:

0.0025 to .01 in (0.0635 to 0.254 mm)

Ribbons:

Industry standard ribbon widths: 1 in (25 mm)
Ribbon core: 1,476 ft (450 m) in length

Bar Codes:

Code 3 of 9, UPC-A, UPC-E, Interleaved
2 of 5, Code 128, EAN-8, EAN-13, HIBC,
Codabar, Plessey, UPC 2 and 5 digit
addendums, Code 93, Postnet, UCC/EAN Code
128, Telepen, UPS MaxiCode, FIM, PDF417, USD-8,
Datamatrix, QR Code, Aztec,
TLC 39, Micro PDF417, RSS

Graphics Support:

.PCX, .BMP and .IMG files

Memory:

128 MB RAM

Power Source:

Auto-sensing 90 to 132 or 180 to 264 VAC at 47 to
63 Hz

Temperature:

Operating:
40 °F to 95 °F (4 °C to 35 °C)

Dimensions:

(L x H x W)
17.24 x 10.63 x 9.80 in

Warranty:

One-year limited
Printhead (original):
One-year or 1 million linear inches
Printhead (replacement): 90 days

Approvals:

CE
FCC
UL
CSA certified
TUV-GS safety standards
RoHS
WEE compliant

Honeywell® PM45

Direct Thermal/Thermal Transfer Label Printer



Icon LED display
Touchscreen

Approvals



Part Number/Price

| Part # | Description | Est. Weight | Price |
|--------|---|-------------|------------|
| 208559 | PM45A, icon display, Ethernet, fixed hanger, DT, 203 dpi, US power cord | 51 lb | \$2,695.00 |
| 208560 | PM45A, icon display, Ethernet, fixed hanger, TT, 203 dpi, US power cord | 51 lb | \$2,370.00 |
| 208561 | PM45A, full touch display, Ethernet, fixed hanger, TT, 203 dpi, US power cord | 51 lb | \$2,772.00 |
| 208562 | PM45A, full touch display, Ethernet, fixed hanger, rewinder + label taken sense, TT, 203 dpi, US power cord | 51 lb | \$3,156.00 |
| 208563 | PM45A, full touch display, Ethernet, Bluetooth®, Wi-Fi NA, fixed hanger, TT, 203 dpi, US power cord | 51 lb | \$3,150.00 |
| 208564 | PM45A, icon display, Ethernet, fixed hanger, TT, 300 dpi, US power cord | 51 lb | \$3,234.00 |
| 208565 | PM45A, full touch display, Ethernet, fixed hanger, TT, 300 dpi, US power cord | 51 lb | \$3,368.00 |
| 208566 | PM45A, full touch display, Ethernet, fixed hanger, rewinder + label taken sense, TT, 300 dpi, US power cord | 51 lb | \$3,645.00 |
| 208567 | PM45A, full touch display, Ethernet, Bluetooth®, Wi-Fi NA, fixed hanger, TT, 300 dpi, US power cord | 51 lb | \$4,042.00 |

Options/Accessories

| Part # | Description | Price |
|-----------------------------------|---|--------------|
| 207889 | Honeywell® WLAN 802.11 option card | \$530.00 |
| 68517 | External rewinder/unrewinder DMX | \$495.00 |
| 214842 | Standard cutter kit for 10 mil stock | \$1,104.00 |
| Label Stock/Ribbon (W × L) | | |
| 21776 | Direct thermal, 3 × 3 in, 8 in diameter with perf., 2,000/roll | \$70.00/roll |
| 150921 | Direct thermal, 4 × 6 in, 8 in diameter with perf., 1,000/roll | \$36.50/roll |
| 25975 | Direct thermal, 4.25 × 2.5 in, 6 in diameter with perf., 1,095/roll | \$30.75/roll |
| 21785 | Thermal transfer, 2 × 1 in, 8 in diameter, 5,500/roll | \$15.55/roll |
| 21788 | Thermal transfer, 4 × 6 in, 8 in diameter, 1,000/roll | \$21.50/roll |
| 20573 | Thermal transfer, 4 × 6.5 in, 8 in diameter, 900/roll | \$23.00/roll |
| 126629 | Thermal kit, (4) 4 × 4 in labels, (2) 4 in ribbons and 1 cleaning card | \$170.00 |
| 34056 | Ribbon (black), 4 in, 1,181 ft, wax | \$30.50/roll |
| Printhead | | |
| 211645 | Printhead, 203 dpi, PM45 | \$825.00 |
| 211646 | Printhead, 300 dpi, PM45 | \$826.00 |
| Cables | | |
| 15547 | Blunt end, 25-pin D-sub male RS-232 serial interface cable (Rice Lake indicators) | \$70.00 |
| 41276 | DB9M cable to blunt end, 9-pin (Rice Lake indicators) | \$77.00 |
| 79074 | USB-A (male) to USB-B (male) cable, 6 ft | \$35.00 |
| 64794 | DB9F to DB9M RS-232 cable | \$69.00 |

Standard Features

(REPLACING I-CLASS PRINTERS)

- Two types of user interfaces, touchscreen display or icon LEDs (no display)
- PrintSet MC support for systems settings and configuration (required for Icon LED model)
- Opintel support for print optimization and firmware upgrades
- Smart Media calibration detects printing method, media type and length
- Enhance security with secured flashing
- Internal rewinder
- Label tear sensor
- Larger ribbon collapsible core for easy ribbon removal
- Ethernet/USB/serial
- USB host port for connecting storage devices, scanners, or keyboards
- USB device port to connect to a PC
- Wide range of printer accessories
- US power cord

Specifications

Print Speed:

203 dpi: 2 to 14 ips
300 dpi: 2 to 12 ips

Supply Roll Capacity:

Maximum 8.375 in diameter on 3 in core

Media Width:

0.79 to 4.5 in

Media Type:

Tag, label, ribbon

Print Length:

0.25 to 99 in (6 to 247 mm)

Media Thickness:

0.003 to 0.01 in

Ribbons (Optional):

2 in core, up to 4.33 in wide

Printer Command Language:

WMS, FP, DPL, IPL, ZPL II, XML, DP

Bar Codes:

SCC-14, HIBC 39, EAN-13, HIBC 128, ITF-14, EAN-128, GS1 Databar Expanded, ISBT 128, Code 39, EAN-8, Code 128, GS1-128, UPC-E, UPC-A, Interleaved 2 of 5, RSS14E, ISBT Data Matrix, Data Matrix

Graphics Support:

PNG, GIF, PCX, BMP

Memory:

256 MB Flash/1 GB Ram

Interfaces:

USB 2.0 Host (x2), USB 2.0 Device, Ethernet 10/100 Mbps, RS-232 (up to 115.2 KB/s)

Power Source:

100 to 240 VAC, 50/60 Hz

Temperature:

Operating:
41 °F to 104 °F (5 °C to 40 °C)

Dimensions:

(L × W × H)
19.0 × 11.2 × 11.6 in

Warranty:

One-year limited
Printhead (original):
One-year or 1 million linear inches
Printhead (replacement): 90 days

Approvals:

CE
UL

Honeywell® PX940

Direct Thermal/Thermal Transfer Label Printer



Part Number/Price

| Part # | Description | Est. Weight | Price |
|--------|---|-------------|------------|
| 207885 | Label printer, PX940 direct thermal/thermal transfer 203 dpi, 100-240 VAC | 51 lb | \$3,999.00 |
| 207886 | Label printer, PX940 direct thermal/thermal transfer 300 dpi, 100-240 VAC | 51 lb | \$4,297.00 |

Options/Accessories

| Part # | Description | Price |
|--------------------|---|--------------|
| 207889 | Honeywell® WLAN 802.11 option card | \$530.00 |
| 68517 | External rewinder/unrewinder DMX | \$495.00 |
| Label Stock | | |
| 21776 | Direct thermal, 3 × 3 in, 8 in diameter with perf., 2,000/roll | \$70.00/roll |
| 150921 | Direct thermal, 4 × 6 in, 6 in diameter with perf., 460/roll | \$36.50/roll |
| 25975 | Direct thermal, 4.25 × 2.5 in, 6 in diameter with perf., 1,095/roll | \$30.75/roll |
| 21785 | Thermal transfer, 2 × 1 in, 8 in diameter, 5,500/roll | \$15.55/roll |
| 21788 | Thermal transfer, 4 × 6 in, 8 in diameter, 1,000/roll | \$21.50/roll |
| 20573 | Thermal transfer, 4 × 6.5 in, 8 in diameter, 900/roll | \$23.00/roll |
| 126629 | Thermal kit, (4) 4 in labels, (2) 4 in ribbons and 1 cleaning card | \$170.00 |
| 34056 | Ribbon (black), 4 in, 1,181 ft wax | \$30.50/roll |
| Printhead | | |
| 207887 | Printhead 203 dpi PX940 | \$840.00 |
| 207888 | Printhead 300 dpi PX940 | \$961.00 |
| Cables | | |
| 15547 | Blunt end, 25-pin D-sub male RS-232 serial interface cable (Rice Lake indicators) | \$70.00 |
| 41276 | DB9M cable to blunt end, 9-pin (Rice Lake indicators) | \$77.00 |
| 79074 | USB-A (male) to USB-B (male) cable, 6 ft | \$35.00 |
| 64794 | RS-232 DB9FM/M null modem | \$69.00 |

Standard Features

(REPLACING H-CLASS PRINTERS)

- Full touch display
- Internal rewinder
- US power cord
- Ethernet/USB/serial
- Label tear sensor

Specifications

Print Speed:

203 dpi: 2 to 14 ips
300 dpi: 2 to 12 ips

Supply Roll Capacity:

Maximum 8.375 in diameter on 3 in core

Media Width:

0.79 to 4.5 in

Media Type:

Tag, label, ribbon

Print Length:

0.25 to 99 in (6 to 247 mm)

Media Thickness:

0.003 to 0.01 in

Ribbons (Optional):

2 in core, up to 4.33 in wide

Printer Command Language:

WMS, FP, DPL, IPL, ZPL II, XML, DP

Bar Codes:

SCC-14, HIBC 39, EAN-13, HIBC 128, ITF-14, EAN-128, GS1 Databar Expanded, ISBT 128, Code 39, EAN-8, Code 128, GS1-128, UPC-E, UPC-A, Interleaved 2 of 5, RSS14E, ISBT Data Matrix, Data Matrix

Graphics Support:

PNG, GIF, PCX, BMP

Memory:

256 MB flash / 1 GB ram

Interfaces:

USB 2.0 Host (x2), USB 2.0 Device, Ethernet 10/100 Mbps, RS-232 (up to 115.2 KB/s)

Power Source:

100 to 240 VAC, 50/60 Hz

Temperature:

Operating:
41 °F to 104 °F (5 °C to 40° C)

Dimensions:

(L × W × H)
15.70 × 10.25 × 19.92 in

Warranty:

One-year limited on parts
One-year or 1 million linear inches on original printhead

EPSON® TM-T88VI

Direct Thermal POS Receipt Printer



Standard Features

- High-speed printing of both text and graphics (up to 300 mm/second)
- Direct thermal POS receipt printer
- True grayscale image printing
- Best-in-class reliability
- Convenient drop-in paper loading, auto cutter and status LEDs
- ENERGY STAR® qualified
- Accommodates 58 mm or 80 mm paper roll
- Paper saving print features
- Improved cover protects from dust and debris
- OS support for Microsoft® Windows® 7, Vista, XP, 2000; Mac OS X v10.4, v10.5, v10.6 (Power PC/Intel Processor) and Linux

Specifications

Interface:

Built-in USB and serial interface (DB-25F); built-in USB and Ethernet; or built-in USB and Wireless LAN

Paper Dimensions:

80 mm: 3.13 × 3.27 in diameter
58 mm: 2.26 × 3.27 in diameter

Paper Thickness:

55 to 80 µm

Print Speed:

300 mm/s (11.81 inch/s)

Power:

24 VDC ± 7%

Temperature:

Operating: 31 °F to 113 °F (5 °C to 45 °C)
Storage: 14 °F to 122 °F (-10 °C to 50 °C)

Reliability:

MTBF: 360,000 hours
MCBF: 70 million lines

Dimensions:

(L × W × H)
7.68 × 5.71 × 5.83 in
(195 × 145 × 148 mm)

Warranty:

One-year limited

Part Number/Price

| Part # | Description | Est. Weight | Price |
|--------|--|-------------|----------|
| 117233 | TM-T88V, RS-232 and USB, PS-180 power supply | 4 lb | \$650.00 |

Options/Accessories

| Part # | Description | Price |
|---------|---|----------|
| 23112 | Power supply, PS-180 | \$120.00 |
| 69917 | One-ply thermal, (W) 3.125 in (75.44 mm, 2.97 in dia.) 7/16 core 230 ft | \$6.00 |
| 83007 | Parallel option connect-it cartridge | \$66.00 |
| 15568 | 25-pin D-sub male to 25-pin D-sub male RS-232 serial interface cable | \$70.00 |
| 15547 | Blunt end, 25-pin D-sub male RS-232 serial interface (Rice Lake indicators) | \$70.00 |
| Consult | Custom RS-232 serial cable | Consult |
| 79074 | USB-A (male) to USB-B (male) cable, 6 ft | \$35.00 |
| 167545 | TM88IV and V printhead | \$135.00 |

PRINTERS



Approvals



Part Number/Price

| Part # | Description | Est. Weight | Price |
|--------|---|-------------|----------|
| 81076 | TM-U220D, RS-232, 115/230 VAC, gray | 10 lb | \$445.00 |
| 81077 | TM-U220A, internal rewind and cutter, RS-232, 115/230 VAC, gray | 10 lb | \$660.00 |
| 164387 | TM-U220D, USB, 115/230 VAC, gray | 10 lb | \$475.00 |
| 204682 | TM-U220B, Ethernet TCP/IP, auto-cutter | 10 lb | \$655.00 |

Options/Accessories

| Part # | Description | Price |
|--------|---|-------------|
| 83007 | Parallel option connect-it cartridge | \$66.00 |
| 35666 | Protective dust cover | \$63.00 |
| 31296 | Ink cartridge (purple) | \$12.75 |
| 66499* | Ink cartridge (black and red) | \$12.75 |
| 69916 | One-ply bond paper roll, (W × L) 3 in × 150 ft (76 mm × 46 m) 3 in OD | \$5.25/roll |
| 69915 | Two-ply bond paper roll, (W × L) 3 in × 90 ft (76 mm × 28 m), white/canary yellow 3 in OD | \$7.50/roll |
| 35667 | Additional operating manual | \$17.00 |
| 72309 | Power supply, 12 VDC vehicle cigarette plug | \$290.00 |
| 23112 | 115 VAC power supply (included with printer) | \$120.00 |
| Cables | | |
| 15568 | 25-pin D-sub male to 25-pin D-sub male RS-232 serial interface cable | \$70.00 |
| 15547 | Blunt end, 25-pin D-sub male RS-232 serial interface cable (Rice Lake indicators) | \$70.00 |

Interfaces to: Rice Lake indicators with a serial port screw terminal connection. Consult custom 20mA/RS-232 serial interface cable \$100.00 Custom cables are designed to interface with your specific equipment. Please specify equipment model number and connector type. Standard cable length is 5ft. \$2.00 charge for each additional foot.

*Red/Black ribbon to turn on ASCII code-27,14,48 ON 27,14,49 OFF

Standard Features

- Nine-pin dot matrix printhead
- High-speed 4.7 to 6.0 lines per second printing
- Drop-in paper set and auto paper loading
- Automatically transmits changes in printer status
- RS-232 (DB-25F connector)
- Optional connect-it cartridges for parallel, USB, 10 Base-T
- Uses MI88D mechanism

Specifications

Print Speed:

Approximately 4.7 lines per second

Characters Per Line:

40 characters

Form Thickness:

0.002 to 0.003 in (0.06 to 0.085 mm)

Ribbon:

Cassette-type purple ribbon. Ribbon life is approximately 1.5 million characters (continuous prints)
Black ink also available

Serial Interfaces:

Baud rates: 4800, 9600
RS-232 compatible (DB-25F) or USB model

Parity:

7 or 8 bits, none, even or odd

Temperature:

Operating:
32 °F to 122 °F (0 °C to 50 °C)

Dimensions:

(L × W × H)
Type A: 11.3 × 6.3 × 6.2 in
(286 × 160 × 158 mm)
Type D: 9.7 × 6.3 × 5.4 in
(248 × 160 × 139 mm)

Warranty:

Two-year limited
(includes printhead)

Approvals:

CE
UL
CSA certified

EPSON® TM-U295

Ticket Printer



Approvals



Part Number/Price

| Part # | Description | Est. Weight | Price |
|--------|---|-------------|----------|
| 23113 | TM-U295 ticket printer, RS-232, 115/230 VAC with power supply, cool white | 9 lb | \$685.00 |
| 35891 | TM-U295 ticket printer, 115/230 VAC with RS-232 and power supply, 25DB to blunt end cable, cool white | 9 lb | \$735.00 |
| 33816 | TM-U295 ticket printer, RS-232, 24 VDC, cool white | 9 lb | \$650.00 |

Options/Accessories

| Part # | Description | Price |
|---------------|---|----------|
| 29582 | Protective dust cover | \$58.00 |
| 29584 | Ink cartridge (purple) ERC-27 | \$12.75 |
| 29583 | Ink cartridge (black) ERC-27B | \$12.75 |
| 23112 | Power supply | \$120.00 |
| 34344 | Additional operating manual | \$21.00 |
| 72309 | Power supply, 12 VDC vehicle cigarette plug | \$290.00 |
| Cables | | |
| 15568 | 25-pin D-sub male to 25-pin D-sub male RS-232 serial interface cable | \$70.00 |
| 15547 | Blunt end, 25-pin D-sub male RS-232 serial interface cable (Rice Lake indicators) | \$70.00 |
| 41279 | 25-pin D-sub male to 9-pin D-sub male, RS-232 with handshaking | \$70.00 |
| 32810 | 25-pin D-sub male to 8-pin D-sub male, RS-232 with handshaking | \$69.00 |
| Consult* | Custom 20 mA/RS-232 serial interface cable | \$100.00 |

*Custom cables are designed to interface with your specific equipment. Please specify equipment model number and connector type.

Standard cable length is 5ft. \$2.00 charge for each additional foot.

Standard Features

- High-speed 1.9 to 2.3 lines per second printing
- Single copy or up to four-part multicopy ticket printing
- RS-232 serial communication

Note: Does not support double-strike commands.

Specifications

Print Speed:

1.9 to 2.3 lines per second (5 × 7 character, 3 dot line spacing)

Column Capacity:

35/42 columns

Characters Per Line:

35 standard font

Form Thickness:

Single-ply: 0.003 to 0.009 in (0.08 to 0.23 mm)
Copy paper: 0.003 to 0.014 in (0.08 to 0.36 mm)

Ribbon:

Cassette-type purple ribbon
Ribbon life is approximately 1.5 million characters (continuous prints)
Black ink also available

Serial Interfaces:

RS-232 (DB-25F) compatible

Baud Rates:

1200, 2400, 4800, 9600, selectable

Parity:

7 or 8 bits, none, even or odd

Dimensions:

(L × W × H)
7.49 × 7.08 × 3.99 in
(190.5 × 180 × 101.5 mm)

Warranty:

One-year limited
(includes printhead)

Approvals:

CE
UL
CSA certified



Approvals



Part Number/Price

| Part # | Description | Est. Weight | Price |
|--------|--|-------------|------------|
| 68502 | TM-U590 ticket printer, RS-232 with power supply, 115/230 VAC, cool white | 12lb | \$1,150.00 |
| 128726 | TM-U590 ticket printer, RS-232 with European power supply, 115/230 VAC, cool white | 12lb | \$1,190.00 |
| 164391 | TM-U590, USB, with 115/230 VAC power supply, cool white | 12lb | \$1,320.00 |

Options/Accessories

| Part # | Description | Price |
|---------------|---|----------|
| 68525 | Ink cartridge (purple) ERC-31 | \$14.50 |
| 104145 | Ink cartridge (black) ERC-31B | \$14.50 |
| 23112 | Power supply, U.S. version PS-180 | \$120.00 |
| 128746 | Power supply, European version of PS-180 | \$145.00 |
| 111840 | Protective dust cover | \$69.00 |
| 68562 | Additional operating manual | \$12.75 |
| 68725 | Technical manual | \$37.00 |
| 72309 | Power supply, 12VDC vehicle cigarette plug | \$290.00 |
| Cables | | |
| 15568 | 25-pin D-sub male to 25-pin D-sub male RS-232 serial interface cable | \$70.00 |
| 15547 | Blunt end, 25-pin D-sub male RS-232 serial interface cable (Rice Lake indicators) | \$70.00 |
| 41279 | 25-pin D-sub male to nine-pin D-sub male, RS-232 with handshaking Interfaces to Rice Lake indicators with a serial port screw terminal connection | \$70.00 |
| 32810 | 25-pin D-sub male to eight-pin D-sub male, RS-232 with handshaking Interfaces with DC-190, DC-100, DC-200, DC-300 | \$69.00 |
| Consult | Custom 20mA/RS-232 serial interface cable | \$100.00 |

Custom cables are designed to interface with your specific equipment. Please specify equipment model number and connector type.

Standard cable length is 5ft. \$2.00 charge for each additional foot.

Standard Features

- High-speed 2.8 lines per second printing for 88 columns of print; 4.9 lines per second printing for 40 columns
- Single copy and up to five-part
- Wide slip capability of A4 size documents
- Remote-printing functionality sent via RS-232
- 5.2 in wide print area
- Supports double-strike commands

Specifications

Serial Interfaces:

Bidirectional parallel, RS-232 (DB-25F)/ RS-485

Paper Dimensions:

(L × W)
2.76 × 2.76 in/11.69 × 8.26 in
(70 × 70 mm/297 × 210 mm)

Paper Thickness:

0.003 in to 0.014 in (0.09 mm to 0.36 mm)

Power:

24 VDC ± 10%

Ribbon:

ERC-31 (purple)

Dimensions:

(L × W × H)
10.47 × 9.92 × 7.28 in
(266 × 252 × 185 mm)

Warranty:

One-year limited
(includes printhead)

Approvals:

CE
FCC
UL
C-UL
TUV

Star® SP742

Dot Matrix Printers



Approvals



Part Number/Price

| Part # | Description | Est. Weight | Price |
|--------|-----------------------------------|-------------|----------|
| 103142 | SP742 RS-232 tape printer, cutter | 9 lb | \$520.00 |

Consult factory for models with a parallel interface.

Options/Accessories

| Part # | Description | Price |
|---------------|---|---------|
| 69921 | Ink ribbon (purple) SP500, SP2000, SP200, series | \$12.75 |
| 103728 | Ink ribbon (black), SP700 Series | \$12.75 |
| 69916 | One-ply paper roll, (W × D) 3 × 3 in, 150 ft roll, Bond, 3 in OD | \$5.25 |
| 69915 | Two-ply paper roll, (W × D) 3 × 3 in white/canary yellow, 90 ft roll, 3 in OD | \$7.50 |
| 121331 | Wall mount bracket, SP700 Series | \$31.50 |
| Cables | | |
| 15547 | Blunt end, 25-pin D-sub male RS-232 serial interface cable (Rice Lake indicators) | \$70.00 |
| 15568 | 25-pin D-sub male to 25-pin D-sub male RS-232 serial interface cable | \$70.00 |
| 72440 | 25-pin to nine-pin D-sub female cable | \$67.00 |
| 79074 | USB-A (male) to USB-B (male) cable, 6 ft | \$35.00 |

Standard Features

- Spill-proof cover
- Single-color highlights
- Power switch cover
- Internal universal power supply
- Serial interface
- Star and ESC/POS emulation
- Black mark sensor
- More than four lines per second print speed
- Auto cutter and tear bar versions
- Prints multiple copies (original and two copies)
- High reliability
- Prints graphics

Specifications

Print Speed:

13 RPM

Paper Width:

70 and 58 mm (with paper guide)

Power:

110 to 230 VAC

Connectivity:

Nine-pin serial (DB-25F), parallel, USB, Ethernet, Wi-Fi

Dimensions:

(L × W × H)
245 × 152 × 160 mm

Warranty:

Three-year limited

Approvals:

cULus

PRINTERS



Standard Features

- Direct thermal
- Small desktop footprint
- Jam-proof patented cutter with full or partial cut
- Wide area printing
- Zoom raster drive allows letter-sized documents to be printed in 4.4 format
- Logo storage capability

Specifications

Print Speed:

1,200 dots per second (150 mm/sec)

Paper Width:

Max 104 mm

Resolution:

203 dpi

Bar Codes:

Code 39, Interleaved 2 of 5, JAN/EAN/UPC, Code 128, Code 93, Coderbar, GS1-128

Roll Paper:

Paper width: 111.5 mm (4.4 in)
Thickness: 65 to 150 mm
Diameter: 4 in

Interface:

RS-232 serial (DB-25F)

Temperature:

Operating:
41 °F to 113 °F (5 °C to 45 °C)

Dimensions:

(W × D × H)
7 × 8.4 × 5.8 in
(180 × 213 × 148 mm)

Warranty:

Three-year limited

Approvals:

RoHS compliant

Part Number/Price

| Part # | Description | Est. Weight | Price |
|--------|---|-------------|----------|
| 107617 | TSP847D-24 line receipt printer (requires power supply) | 5 lb | \$725.00 |

Options/Accessories

| Part # | Description | Price |
|---------------|---|----------|
| 69903 | Power supply, PS-60-24A | \$105.00 |
| 72309 | Power supply, 12 VDC with car adapter | \$290.00 |
| 107618 | Thermal paper 4.4 in wide, 4 in OD | \$20.00 |
| Cables | | |
| 15547 | Blunt-end 25-pin D-sub male RS-232 | \$70.00 |
| 15568 | 25-pin D-sub male to 25-pin D-sub male RS-232 serial interface cable (Rice Lake indicators) | \$70.00 |
| 72440 | 25-pin male to nine-pin female | \$67.00 |

Star® TSP743 II

Direct Thermal Printer



Approvals



Standard Features

- 203 dpi (8 dots/mm) print resolution
- Two-color printing (software enabled)
- Small footprint
- Easy load "drop-in and print" paper loading
- Adjustable paper width
- Logo storage utility for easy logo data
- Drawer kickout device function
- Cutter
- Easy to change "cartridge-type interface" from RS-232 (DB-25F) to parallel

Part Number/Price

| Part # | Description | Est. Weight | Price |
|--------|--|-------------|----------|
| 69907 | *TSP743II direct thermal transfer, RS-232 with power supply, 115/230 VAC | 8 lb | \$630.00 |
| 69908 | *TSP743II direct thermal transfer, RS-232 only, 24 VDC | 8 lb | \$630.00 |
| 85929 | *TSP743II direct thermal, parallel without power supply | 8 lb | \$630.00 |

* If using for labels with black mark, request printer to be configured by Rice Lake Weighing Systems

Options/Accessories

| Part # | Description | Price |
|---------------|---|----------|
| TSP654 | | |
| 69903 | Power supply, PS-60-24A | \$105.00 |
| 69917 | One-ply thermal, (W) 3.125 in (75.44 mm, 2.97 in dia.) 7/16 in core 230 ft | \$6.00 |
| 107041 | MaxStick receipt paper for TSP654 3 1/8 in wide 150 ft long adhesive strip | \$18.75 |
| 72309 | Power supply, 12 VDC with vehicle cigarette lighter | \$290.00 |
| 71355 | Parallel cartridge option | \$63.00 |
| TSP743 | | |
| 69919 | Wall mount bracket | \$84.00 |
| 70598 | Label, DTL, (W × L × D) 3 × 1 × 4 in, with black line timing mark 1,600 labels/roll | \$26.50 |
| 70597 | Label, DTL, (W × L × D) 3 × 2 × 4 in, with black line timing mark 900 labels/roll | \$26.50 |
| Cables | | |
| 15547 | Blunt end, 25-pin D-sub male RS-232 serial interface cable (Rice Lake indicators) | \$70.00 |
| 15568 | 25-pin D-sub male to 25-pin D-sub male RS-232 serial interface cable | \$70.00 |
| 72440 | 25-pin to nine-pin D-sub female cable | \$67.00 |

Specifications

Print Speed:

7 in (177.8 mm) per second,
60 lines per second at 3 mm per line
(180 mm/sec)

Print Width:

2.83 in (80 mm)
Optional: 2.05 in (52 mm),
3.15 in (80 mm)

Resolution:

203 dpi (8 dots/mm)

Bar Codes:

UPC-A/E, JAN/EAN-8/13, Code 39/93/128,
Codabar (NW7)

Paper Width:

Adjustable 3.15 in (80 mm)
Optional: 3.25 in (82.5 mm)

Paper Thickness:

0.003 to 0.006 in (0.065 to 0.150 mm)

Roll Diameter:

3.5 in (90 mm)

Paper Roll Core:

0.50 to 1.00 in (12 to 25.4 mm)

Printer Reliability:

60 million lines MCBF (CRT)

Interface:

RS-232 serial DB-25F

Temperature:

Operating:
41 °F to 113 °F (5 °C to 45 °C)

Dimensions:

(W × H × D)
5.79 × 5.83 × 8.39 in
(147 × 148 × 213 mm)

Warranty:

Parts: Three-year limited
Printhead: One-year limited

Approvals:

cULus
FCC
TUV



ZD411

Part Number/Price

| Part # | Description | Est. Weight | Price |
|--------|---|-------------|----------|
| 216767 | ZD411 Printer, 203 dpi, direct thermal, USB/Ethernet/Bluetooth, 120 VAC U.S. power cord | 3 lb | \$455.00 |
| 219364 | Printer, Label ZD411 203 dpi, Thermal Transfer, USB, Ethernet, BT, US 120 VAC | 3 lb | \$585.33 |

Parallel and Ethernet models available by special request

Options/Accessories

| Part # | Description | Price |
|--------------------|---|--------------|
| 212815 | RS-232 option card, compatible with ZD411 and ZD421 (field installable) | \$26.00 |
| 38941 | Cleaning pens for open printhead printers, 12/box | \$60.00 |
| Label Stock/Ribbon | | |
| 110346 | Direct thermal, (W × L × D) 1.2 × .85 × 5 in with perf., 2,700/LPR | \$15.00/roll |
| 110347 | Direct thermal, (W × L × D) 2.25 × 1.25 × 5 in with perf., 2,100/LPR | \$15.50/roll |
| 40332 | Direct thermal, (W × L × D) 2.25 × 2 × 5 in with perf., 1,445/LPR | \$17.00/roll |
| 110348 | Direct thermal, (W × L × D) 2.25 × 3 × 5 in with perf., 950/LPR | \$16.50/roll |
| 110349 | Direct thermal, (W × L × D) 2.25 × 4 × 5 in with perf., 700/LPR | \$15.00/roll |
| 65617 | Direct thermal, (W × L × D) 2.25 × 4.5 × 5 in with perf., 600/LPR | \$17.50/roll |
| 126092 | Thermal paper, (W × D) 2 × 5 in, 6 rolls/case | \$87.00/case |
| 207358 | Ribbon, wax/general purpose, 2.5 in × 243 ft, 0.5 in core | \$8.00 |
| Cables | | |
| 41276 | Serial cable, 6 ft (DB9 male to blunt end) (Rice Lake indicators) | \$77.00 |
| 79074 | USB-A (male) to USB-B (male) cable, 6 ft | \$35.00 |
| 64794 | DB9 RS-232 cable DB9F to DB9M | \$69.00 |

Standard Features

- Open ACCESS™ design for easy media loading
- Fully enclosed 5.0 in (127 mm) media compartment
- Double-walled ABS case construction
- EPL and ZPL® programming language, co-resident
- 32-bit RISC processor
- 8 MB SDRAM, 4 MB flash memory
- Zebra E3 print head energy control
- Auto-calibration of media
- Five resident expandable EPL2® fonts
- Auto-switching 100 V and 240 V power supply
- Linear and 2-D bar code symbologies
- Transmissive and reflective media sensing
- Head-up sensor
- Tear-off mode
- Certified Microsoft® Windows® drivers

Specifications

Resolution:

203 dpi (8 dpmm)

Print Length:

0.005 to 39.0 in (0.125 to 991 mm)

Print Speed:

2 to 4 in per second (ips)

Media:

Width: 1.00 to 2.36 in (25 to 60 mm)

Interface:

USB, Ethernet, and Bluetooth (Serial Optional)

Label Length:

Minimum: 0.38 in (9.7 mm)

1.0 in with optional cutter

Maximum 39 in (991 mm)

Inner Core: 1.0 in

Max roll diameter: 5 in

Sensing: gap, black line, notch

Type: roll-fed, fan fold, die cut or continuous with or without black mark, tag stock

Bar Codes:

Code 11, Code 39, Code 93, Code 128, UPC-A, UPC-E, EAN-8, EAN-13, EAN-14, UPC-A and UPC-E with EAN 2 or 5 digit extensions, Plessey, POSTNET, Standard 2 of 5, Industrial 2 of 5, Interleaved 2 of 5, LOGMARS, MSI, Codabar, and GS1 DataBar (formerly RSS), PDF417, MicroPDF417, Code 49, Maxicode, Codablock, Data Matrix, QR code, Aztec

Power:

100 to 240 VAC, 50/60 Hz, US power cord

Temperature:

Operating:

-40 °F to 105 °F (-40 °C to 40.5 °C)

Dimensions:

8.5 × 4.5 × 6.0 in

(220 × 115 × 151 mm)

Warranty:

One-year limited

Zebra® ZD421

Direct Thermal Label Printer



Standard Features

- Print speeds of 6 in per second
- 203 dpi
- Auto sense EPLZ or ZPL
- Tear bar

Options

- RS-232 (DB-9F)
- Peeler mechanism
- Models available with Ethernet

Specifications

Paper Width:

0.75 to 4.25 in (19 × 108 mm)

Paper Thickness:

0.003 to 0.0075 in (0.08 × 0.19 mm)

Paper Diameter:

5 in (127 mm)

Paper Roll Shaft:

0.5 and 1.0 in (13 × 25 mm) standard

Resolution:

203 dpi/8 dots per mm

Memory:

512 MB flash, 128 MB SDRAM

Print Width:

4.09 in (104 mm)

Ribbon Outside Diameter:

2.6 in

Ribbon Standard Length:

984 ft (300 m)

Ribbon Ratio:

1:4 media to ribbon

Ribbon Width:

0.585 to 4.65 in

Ribbon Core Inner Diameter:

1 in

Interface:

USB 2.0 host
Ethernet TCP/IP
Optional: RS-232 serial (DB-9F)

Temperature:

Operating: 40 °F to 105 °F
(4 °C to 41 °C)
Storage: -40 °F to 140 °F
(-40 °C to 60 °C)

Dimensions:

(L × W × H)
ZD421: 8.69 × 6.98 × 5.93 in
ZD421T: 10.5 × 8.0 × 7.5 in

Warranty:

One-year limited

Part Number/Price

| Part # | Description | Est. Weight | Price |
|-------------------------|---|-------------|----------|
| Direct Thermal | | | |
| 212409 | ZD421d direct thermal printer, USB host | 10 lb | \$699.00 |
| 212410 | ZD421d direct thermal printer, USB host, Ethernet LAN | 10 lb | \$880.00 |
| Thermal Transfer | | | |
| 212406 | ZD421t thermal transfer printer, USB host | 10 lb | \$745.00 |
| 212411 | ZD421t thermal transfer printer, USB host, Ethernet LAN | 10 lb | \$999.00 |

Options/Accessories

| Part # | Description | Price |
|--------|---|---------|
| 213390 | Peeler option, ZD421t, front mount, field installable | \$40.00 |
| 213356 | Peeler option, ZD421d, front mount, field installable | \$40.00 |
| 212815 | RS-232 option, ZD421 field installable | \$26.00 |
| 41276 | Interface cable | \$77.00 |

Label Stock/Ribbon

| | | |
|--------|--|---------|
| 192736 | Ribbon core option (ZD421t) to accept 1 in ribbon cores (set of 2) | \$26.50 |
| 192724 | 2000 wax ribbon (ZD421t) 2.52 in × 984 ft, 1 in core | \$4.75 |
| 192725 | 2000 wax ribbon (ZD421t) 3.31 in × 984 ft, 1 in core | \$6.50 |
| 192726 | 2000 wax ribbon (ZD421t) 4.23 in × 984 ft, 1 in core | \$8.00 |
| 192727 | 5555 wax/resin ribbon (ZD421t) 2.52 in × 984 ft, 1 in core | \$12.75 |
| 192728 | 5555 wax/resin ribbon (ZD421t) 3.31 in × 984 ft, 1 in core | \$16.50 |
| 192729 | 5555 wax/resin ribbon (ZD421t) 4.33 in × 984 ft, 1 in core | \$21.75 |
| 192730 | 5095 resin ribbon (ZD421t) 2.52 in × 984 ft, 1 in core | \$26.50 |
| 192731 | 5095 resin ribbon (ZD421t) 3.31 in × 984 ft, 1 in core | \$34.50 |
| 192732 | 5095 resin ribbon (ZD421t) 4.33 in × 984 ft, 1 in core | \$45.00 |
| 207358 | Ribbon, thermal transfer, 2.25 in, 243 ft, wax, 1/2 in core | \$8.00 |

PRINTERS



Specifications

Power:

PowerPrecision+ 6800 mAh Li-Ion rechargeable battery
Built-in battery charger

Paper:

Width: 4.40 in
Thickness: 2.3 to 5.5 mil tag stock or 6.5 mil label stock

Diameter:

2.6 in

Paper Roll Shaft:

0.75 in

Resolution:

203 dpi

Memory:

256 MB RAM/512 MB Flash

Bar Codes:

Codabar (NW-7), Code 39, Code 93, Code 128, EAN-8, EAN-13, UCC/EAN 128, UPC-A, UPC-E, PDF417, Micro PDF417, QR Code, TLC39

Print:

Length: 32 in

Speed:

4.5 ips

Interface:

USB, RS-232, Wi-Fi, Bluetooth®

Rating:

IP43 dust- and water-resistance rating (IP54 with soft case)

Temperature:

Operating:
-4 °F to 122 °F (-20 °C to 50 °C)

Warranty:

One-year

Approvals:

CE
TUV
CSA

Approvals



Standard Features

- Apple iOS, Android and Windows Mobile connectivity
- Direct thermal printing of bar codes, text and graphics
- CPCL, EPL™ and ZPL® programming languages
- Belt clip for unobtrusive and convenient printing
- Black mark using fixed center-position sensors
- Easy-to-use peel and present mode
- Label present sensor for issuing labels one at a time
- Tear bar for easy dispensing
- Center-loading media locking for variable roll widths
- Large, easy-to-read LCD control panel
- Color display can be customized
- Tolerance of multiple drops from 6 ft/1.8 m to concrete
- 400 MHz 32-bit ARM processor
- XML support
- Supports vertical and horizontal printing
- Printers can be used in any orientation
- QR bar code links to web-based help pages
- Label odometer
- NTP (Network Time Protocol) support via Wi-Fi or Ethernet

Part Number/Price

| Part # | Description | Est. Weight | Price |
|--------|--|-------------|------------|
| 204373 | ZQ630 kit, 4 in direct thermal printer, 203 dpi, USB/Wi-Fi/Bluetooth® (Kit includes AC adapter, and USB cable) | 3 lb | \$1,283.00 |
| 204370 | ZQ630 printer, 4 in direct thermal printer, 203 dpi, USB/Wi-Fi/Bluetooth® (AC adapter and USB cable sold separately) | 3 lb | \$1,184.00 |

Options/Accessories

| Part # | Description | Price |
|---------------------------|---|----------|
| 181233 | Power supply, 12-24 VDC | \$57.00 |
| 181236 | Power supply, 15-60 VDC | \$98.50 |
| 181234 | RAM Handi-Mount kit | \$330.00 |
| 188144 | AC adapter | \$100.00 |
| 188145 | Receipt paper | \$12.75 |
| Label Stock/Ribbon | | |
| 181238 | 4 in × 4 in direct thermal labels, with Gap. 36 rolls per case | \$430.00 |
| 181239 | 4 in × 2 in direct thermal labels, with Gap. 36 rolls per case | \$430.00 |
| Cables | | |
| 204372 | USB cable, USB 2.0 A to MINIB | \$24.00 |
| 41276 | Serial cable, 6 ft (DB9 male to blunt end) (Rice Lake indicators) | \$77.00 |



Not recommended for applications with exposure to sunlight, fluorescent lamps or heat.

Standard Features

- Requires a 633 nm visible light diode (VLD) scanning device for bar codes
- All-temperature permanent acrylic adhesive with short repositioning time, withstands some contact with alcohol, blood, grease and water

Applications:

- Recommended for paper, corrugated containers, folding cartons with exterior varnish, glass, metal, PVC, polyesters, acetate, cellophane XT polymer, polystyrene, and some treated polypropylenes and polyethylenes

Not recommended for applications with exposure to sunlight, fluorescent lamps or heat.

Part Number/Price

| Part # | Width × Length | Roll Dia. | Case Qty | Labels Per Roll | Perf. | Price |
|-------------------------------------|--|-----------|----------|-----------------|-------|---------------|
| 0.75 in Core Size | | | | | | |
| 110463 | 2.00 × 3.00 in | 2 in | 36 | 125 | Yes | \$104.00/case |
| 1 in Core Size | | | | | | |
| 110346 | 1.20 × 0.85 in | 5 in | 6 | 2,710 | Yes | \$15.00/roll |
| 110350 | 2.00 × 1.00 in | 5 in | 16 | 2,600 | Yes | \$18.00/roll |
| 37354 | 2.25 × 1.25 in | 2 in | 12 | 260 | Yes | \$8.00/roll |
| 40332 | 2.25 × 2.00 in | 5 in | 12 | 1,445 | Yes | \$17.00/roll |
| 110348 | 2.25 × 3.00 in | 5 in | 16 | 950 | Yes | \$16.50/roll |
| 37352 | 2.25 × 4.00 in | 4 in | 12 | 380 | Yes | \$10.25/roll |
| 110349 | 2.25 × 4.00 in | 5 in | 12 | 700 | Yes | \$15.00/roll |
| 65617 | 2.25 × 4.50 in | 5 in | 16 | 600 | Yes | \$17.50/roll |
| 110347 | 2.25 × 1.25 in | 5 in | 16 | 2,100 | Yes | \$15.50/roll |
| 156746 | 3.00 × 2.00 in | 4 in | 8 | 800 | Yes | \$20.00/roll |
| 110352 | 3.00 × 3.00 in | 5 in | 8 | 950 | Yes | \$22.50/roll |
| 110351 | 3.50 × 1.00 in | 5 in | 8 | 2,600 | Yes | \$26.50/roll |
| 110353 | 4.00 × 1.00 in | 5 in | 8 | 2,500 | Yes | \$26.00/roll |
| 37350 | 4.00 × 1.50 in | 4 in | 12 | 960 | Yes | \$33.00/roll |
| 110354 | 4.00 × 1.50 in | 5 in | 8 | 1,800 | Yes | \$25.00/roll |
| 110345 | 4.00 × 2.00 in | 5 in | 8 | 1,400 | Yes | \$25.00/roll |
| 110355 | 4.00 × 2.50 in | 5 in | 8 | 1,100 | Yes | \$26.00/roll |
| 53251 | 4.00 × 3.00 in | 5 in | 12 | 930 | Yes | \$32.00/roll |
| 37348 | 4.00 × 3.00 in | 2 in | 12 | 110 | Yes | \$7.25/roll |
| 40331 | 4.00 × 4.00 in | 5 in | 8 | 745 | Yes | \$34.00/roll |
| 110356 | 4.00 × 5.00 in | 5 in | 8 | 500 | Yes | \$25.00/roll |
| 37345 | 4.00 × 6.00 in | 5 in | 8 | 450 | Yes | \$24.00/roll |
| 3 in Core Size | | | | | | |
| 21776 | 3.00 × 3.00 in | 8 in | 8 | 2,000 | Yes | \$70.00/roll |
| 156745 | 3.00 × 5.00 in | 8 in | 8 | 1,200 | Yes | \$33.50/roll |
| 91303 | 4.00 × 2.00 in | 8 in | 4 | 2,900 | Yes | \$75.00/roll |
| 43937 | 4.00 × 4.00 in | 8 in | 4 | 1,500 | Yes | \$45.50/roll |
| 25935 | 4.00 × 6.00 in | 8 in | 4 | 1,000 | * | \$41.00/roll |
| 150921 | 4.00 × 6.00 in | 8 in | 4 | 1,000 | Yes | \$36.50/roll |
| 20594 | 4.00 × 6.50 in | 8 in | 4 | 900 | Yes | \$32.70/roll |
| 25975 | 4.25 × 2.50 in | 6 in | 6 | 1,090 | Yes | \$30.75/roll |
| 20531 | 4.50 × 2.50 in | 8 in | 4 | 2,500 | * | \$61.00/roll |
| Star Labels (1 in Core Size) | | | | | | |
| 70598 | Black line, 3 × 1 in | 4 in | 10 | 1,600 | No | \$26.50/roll |
| 70597 | Black line, 3 × 2 in | 4 in | 10 | 900 | No | \$26.50/roll |
| Medical | | | | | | |
| 107134 | 1 × 11 in Datamax O-Neil SafeD-Band, wristband | 5 in | 4 | 350 | | \$477.50/case |

* Perforated liner available upon request at no charge. Minimum order quantities may apply. NOTE: 8 and 10 in diameter rolls are not Allegro compatible

Custom label quote form online at www.ricelake.com/customlabel



DTL-Plus



DTT

Not recommended for applications with exposure to sunlight, fluorescent lamps or heat

Standard Features

DTL Plus/DTT

- Top-coated white matte finish
- Requires a visible light (633 nm) scanning device for bar codes
- Withstands some contact with alcohol, blood, grease and water

Part Number/Price

| Part # | Description | Price |
|--------|---|-------------|
| 109340 | 3 in wide continuous tag stock, 7.2 mil, 3 in core, 8 in O.D., 480 ft wound out | \$45.00 |
| 109298 | 4 in wide continuous tag stock, 7.2 mil, 3 in core, 8 in O.D., 480 ft wound out | \$51.00 |
| 119829 | 5 in wide perforated, two up, fan folded stacks of 1,000 | \$0.06 each |

DTL-SYN

Direct Thermal Label



DTL-SYN

Direct Thermal Synthetic Label

Standard Features

DTL-SYN

- Top-coated white matte finish
- Requires a visible light (633 nm) scanning device for bar codes
- All-temperature permanent acrylic adhesive with short repositioning time
- Withstands some contact with alcohol, blood, grease and water

Part Number/Price

| Part # | Description | Price |
|--------|--|---------------|
| 109448 | 3.25 × 3.25 in, 3 in core, 8 in O.D., 1,800 LPR, wound out, 208 roll minimum order | \$108.00/roll |

TTL

Thermal Transfer Label



Standard Features

- All-temperature permanent acrylic adhesive
- Withstands some contact with alcohol, oil, grease, blood and water

Part Number/Price

| Part # | Width × Length | Roll Dia. | Case Qty | Labels Per Roll | Perf. | Price |
|---|----------------|-----------|----------|-----------------|-------|---------------|
| 1 in Core Size | | | | | | |
| 41978 | 4.00 × 3.00 in | 4 in | 8 | 500 | Yes | \$13.80/roll |
| 110357 | 1.50 × 1.00 in | 5 in | 8 | 2,260 | Yes | \$14.00/roll |
| 110362 | 2.00 × 1.00 in | 5 in | 8 | 2,260 | Yes | \$20.00/roll |
| 110358 | 2.25 × .750 in | 5 in | 6 | 3,320 | Yes | \$18.00/roll |
| 110360 | 2.25 × 3.00 in | 5 in | 6 | 930 | Yes | \$19.00/roll |
| 110359 | 2.25 × 1.25 in | 5 in | 12 | 2,100 | Yes | \$15.00/roll |
| 110365 | 4.00 × 2.00 in | 5 in | 6 | 1,370 | Yes | \$26.00/roll |
| 53261 | 4.00 × 3.00 in | 5 in | 12 | 930 | Yes | \$29.00/roll |
| 110366 | 4.00 × 4.00 in | 5 in | 12 | 700 | Yes | \$21.50/roll |
| 160934 | 4.00 × 4.00 in | 5 in | 12 | 700 | No | \$22.50/roll |
| 110367 | 4.00 × 6.00 in | 5 in | 12 | 475 | Yes | \$30.50/roll |
| 3 in Core Size | | | | | | |
| 21785 | 2.00 × 1.00 in | 8 in | 12 | 5,500 | * | \$15.55/roll |
| 25945 | 2.00 × 1.00 in | 6 in | 12 | 2,550 | * | \$9.00/roll |
| 66541 | 2.50 × 1.75 in | 8 in | 2 | 3,600 | | \$96.00/roll |
| 44347 | 2.50 × 1.50 in | 8 in | 8 | 3,600 | No | \$160.00/case |
| 20671 | 3.00 × 3.00 in | 8 in | 8 | 2,000 | * | \$37.00/roll |
| 48408 | 3.50 × 1.00 in | 8 in | 4 | 5,500 | Yes | \$130.50/case |
| 156741 | 4.00 × 4.00 in | 8 in | 4 | 1,500 | Yes | \$22.00/roll |
| 21788 | 4.00 × 6.00 in | 8 in | 4 | 1,000 | * | \$21.50/roll |
| 20573 | 4.00 × 6.50 in | 8 in | 4 | 900 | * | \$23.00/roll |
| 156742 | 4.00 × 6.00 in | 8 in | 4 | 1,000 | Yes | \$21.50/roll |
| 20536 | 4.50 × 2.50 in | 8 in | 4 | 2,500 | * | \$41.50/roll |
| Kit, 4 label rolls, 2 ribbons, 1 cleaning card | | | | | | |
| 126629 | 4.00 × 4.00 in | 8 in | 1 | 1,500 | | \$170.00/case |

* Perforated liner available upon request at no charge. Minimum order quantities may apply.

NOTE: 8 in diameter rolls are not Allegro compatible. Custom label quote form available online at www.ricelake.com/customlabel

NOTE: Not recommended for long-term exposure to water or other liquids

PRINTERS

Fantastock

Thermal Transfer Label

Part Number/Price

| Part # | Width × Length | Roll Qty. | Case | Labels Per Roll | Price |
|-----------------------|-------------------------|-----------|------|-----------------|---------------|
| 1 in Core Size | | | | | |
| 35417 | Fantastock 4 × 2.88 in | 4 | 8 | 500 | \$37.50/roll |
| 126114 | 3 × 1 in TTL Fantastock | 4 | 8 | 500 | \$48.00/roll |
| 129377 | 4 × 2.5 in | 5 | 8 | 1,650 | \$154.00/roll |

NOTE: 8 in diameter rolls are not Allegro compatible

Standard Features

- Withstands some contact with alcohol, oil, grease, blood and water
- Suited for alphanumeric bar codes and graphics
- Top-coated white matte finish



Standard Features

- Withstands some contact with alcohol, oil, grease, blood and water
- Suited for alphanumerics, bar codes and graphics
- Top-coated white matte finish

Part Number/Price

| Part # | Width × Length | Roll Qty. | Case | Labels Per Roll/ft. | Perf. | Price |
|-----------------------|---|-----------|------|---------------------|-------|--------------|
| 3 in Core Size | | | | | | |
| 89190 | 4 in wide continuous 7.5 pt | 8 in | 4 | 4,000 ft | No | \$46.25/roll |
| 107621 | 3.25 in wide × continuous 7.5 pt, 11 in O.D., 50 roll minimum order | — | — | 1,010 ft | No | \$75.00/roll |
| 124757 | 4.5 × 2.5 in, with sensing notch 20 roll minimum order | — | 4 | 2,300 | Yes | \$51.50/roll |

NOTE: Not recommended for long-term exposure to water or other liquids

PRINTERS

SDR Super Durable Ribbon



Standard Features

- 4.6 micron, thermal transfer resin-based ribbon
- Smudge and smear proof
- 1,182 ft (360.3 m) long (one ribbon prints two rolls of 8 in (203 mm), OD label or tag stock
- Avoid exposure to heat, humidity and sunlight during storage

Part Number/Price

| Part # | Width × Length | Color | Case Qty | Datamax Comp | Zebra/Elton Desktop Comp | Zebra Ind. Comp. | Price |
|--|-------------------|-------|----------|--------------|--------------------------|------------------|-----------------|
| 1/2 in Core Size Not for all 2 in wide printers | | | | | | | |
| 37366 | 2.50 in × 242 ft | No | 12 | No | 800009-002 | No | \$6.85/roll |
| 126115 | 3.27 in × 243 ft | No | 36 | 221967 | No | No | \$9.55/roll |
| 37368 | 4.30 in × 242 ft | No | 12 | No | 800009-004 | No | \$11.25/roll |
| 92633 | 4.33 in × 360 ft | No | 24 | 226757 | No | No | \$18.00/roll |
| 1 in Core Size | | | | | | | |
| 21772 | 4.00 in × 1182 ft | Yes | 24 | 221716 | No | No | \$1,015.00/case |
| 52343 | 4.30 in × 1476 ft | No | 6 | No | 5095BK11045 | Yes | \$89.00/roll |
| 129378 | 4.30 in × 984 ft | — | 24 | 296639 | — | — | \$48.00/roll |

Scannable colors include: Blue, Red, White, Gold

MaxWax™ GPR

General-Purpose Ribbon



Standard Features

- 4.6 micron thermal transfer wax/resin ribbon
- Smudge and scratch resistant
- 1,182 ft (360.3 m) long (one ribbon prints two rolls of 8 in (203.2 mm) OD label or tag stock)
- Avoid exposure to heat, humidity and sunlight during storage

Part Number/Price

| Part # | Width × Length | Color | GoDex Comp. | Datamax Comp. | Zebra/Eltron Comp. | Zebra Industrial Comp. | Case Qty | Price |
|--|-------------------|-------|-------------|---------------|--------------------|------------------------|----------|---------------|
| 1/2 in Core Size Not for all 2 inch wide printers | | | | | | | | |
| 81212* | 2.50 in × 244 ft | No | | Z28GPRM064074 | 8000130-002 | No | 12 | \$8.00/roll |
| 37362 | 2.50 in × 298 ft | No | | 226351 | 800008-002 | No | 36 | \$7.00/roll |
| 35477 | 3.50 in × 360 ft | No | | 226455 | No | Yes | 12 | \$10.00/roll |
| 37364 | 4.30 in × 298 ft | No | | 226357 | 800008-004 | No | 36 | \$12.50/roll |
| 75895* | 4.30 in × 244 ft | No | | Z28GPRM110074 | 800130-104 | No | 12 | \$18.00/roll |
| 35478 | 4.33 in × 360 ft | No | | 226457 | No | Yes | 12 | \$12.75/roll |
| 53265 | 1.30 in × 298 ft | No | | No | 800008-001 | No | 36 | \$3.15/roll |
| 1 in Core Size | | | | | | | | |
| 178965 | 4.30 in × 984 ft | No | GR4010 | | | | 6 | \$30.00/roll |
| 110537 | 2.50 in × 984 ft | No | | | ZEBGPRM064300 | | 24 | \$10.00/roll |
| 34054 | 3.00 in × 1181 ft | Yes | | 226102 | No | No | 6 | \$17.25/roll |
| 40787 | 4.30 in × 1189 ft | No | | No | 800010-004 | Yes | 6 | \$33.50/roll |
| 110536 | 4.30 in × 984 ft | No | | 296143 | NO | No | 24 | \$16.25/roll |
| 34058 | 4.50 in × 1182 ft | Yes | | 226100 | No | No | 6 | \$27.50/roll |
| 42474 | 6.00 in × 1476 ft | Yes | | 224108 | No | No | 24 | \$42.90/roll |
| GPR Plus (for use with Kimdura Stock) | | | | | | | | |
| 53611** | 1.57 in × 1476 ft | No | | No | No | 5095BK04045 | 6 | \$33.75/roll |
| 20538 | 2.0 in × 1182 ft | No | | 222103 | No | No | 36 | \$8.40/roll |
| 20539 | 3.00 in × 1182 ft | No | | 222102 | No | No | 6 | \$105.25/case |
| 34056 | 4.00 in × 1182 ft | No | | 222116 | No | No | 24 | \$30.50/roll |

Prices for black ribbon only.

Color ribbon—contact RLWS sales for prices and availability.

Scannable colors include: Silver, gold, green, blue, brown, purple, maroon, midnight blue, fuchsia, kelly green, royal blue, lavender

Additional colors available: Red, orange, yellow, white, pink, pumpkin

* Ribbon for TLP2844

** Resin Performance

PRINTERS

Tape and Ticket Printer Impact Ribbons



Standard Features

TicketPress:

- Cartridge-type
- Ribbon life approximately 3 million characters

SP2200 and SP2000:

- Cartridge-type
- Ribbon life is approximately 1 million standard characters

IDS-150A, IDS-152, and IDS-160:

- Inked spools

TM-U295, TM-U200, TM-300:

- Cassette-type
- TM-U295: Ribbon life is approx. 1.5 million standard characters
- TM-U200 and TM-300: Ribbon life is approx. 4 million characters (continuous printing)

Citizen® CBM-750 and Citizen® iDP-3111:

- Cassette-type
- CBM-750: Ribbon life is approx. 4 million lines (continuous printing) iDP-3111: Ribbon life is approx. 1 million lines (continuous printing)

Okidata 184 Turbo and 320:

- Self-inking
- Ribbon life is approximately 3 million characters

Part Number/Price

| Part # | Description | Price |
|---------------------------|--|---------|
| Line Printer | | |
| 20664 | Okidata 184 Turbo and 320 ribbon cartridge | \$8.50 |
| Tape Printer | | |
| 41902 | Citizen CBM-750 red/black ribbon cartridge | \$10.50 |
| 31296 | Epson TM-U200/TM-U220 and TM-300 purple ink cartridge (ERC 30, 34) | \$12.75 |
| 66499 | Epson TM-U200/TM-U220 and TM-300 red/black ink cartridge | \$12.75 |
| 20447 | IDS-160/Star® DP8340 purple ribbon cartridge | \$10.50 |
| 103728 | Star SP700 black ribbon cartridge | \$12.75 |
| Tape Kiosk Printer | | |
| 69920 | Star SP349 and SP312 Purple ribbon cartridge | \$13.75 |
| Ticket Printer | | |
| 29583 | Epson® TM-U295 black ink cartridge | \$12.75 |
| 29584 | Epson TM-U295 purple ink cartridge (ERC 27) | \$12.75 |
| 68525 | Epson TM-U590 purple ink cartridge (ERC-31) | \$14.50 |
| 20440 | IDS-150A and IDS-152 purple ink ribbon | \$26.50 |
| 20308 | SP2200 and SP2000 black ink cartridge | \$25.50 |
| 69921 | Star SP298, SP2320 and SP2520 purple ribbon cartridge | \$12.75 |
| 128031 | TicketPress™ black ribbon cartridge | \$25.25 |

Don't see a ribbon or paper roll you need? Send us the manufacturer name and model of the printer and we will provide you a quotation.

Tape Printer Paper Supplies



Standard Features

IDS-150A, IDS-152, IDS-160, TM-U200, TM-300, and Citizen® CBM-750:

- One-ply paper roll (W × L): 3 × 150 ft (76.2 × 45.7 m)
- Two-ply paper roll (W × L): 3 × 90 ft (76.2 × 27.4 m)

Citizen® iDP-3111:

- One-ply paper roll (W): 2.25 in (57.1 mm)

Star®:

- One- and two-ply paper roll (W × L): 3 in × 3 ft (76.2 × 0.9 m)
- One-ply thermal paper roll (W × L): 3.125 in × 3.25 ft (76.2 × 0.99 m), 8 in roll diameter

Part Number/Price

| Part # | Description | Price |
|---|--|---------------|
| IDS-150A, IDS-152, IDS-160, TM-U220, TM-300, and Citizen CBM-750 | | |
| 69916 | One-ply bond, (W × L) 3 in × 150 ft (76.2 mm × 45.7 m), 3 in dia., 1/2 in core | \$5.25/roll |
| 69915 | Two-ply bond, (W × L) 3 in × 90 ft (76.2 mm × 27.4 m), 3 in dia, 1/2 in core white/canary yellow | \$7.50/roll |
| Citizen iDP-3111 | | |
| 42870 | One-ply bond, (W × L) 2.25 in × 150 ft (57.1 mm), 7/16 in core 2 7/8 in outer diameter | \$6.00/roll |
| Star | | |
| 69916 | One-ply bond, (W × L) 3 in × 150 ft (76.2 mm × 45.7 m), 3 in dia., 1/2 in core | \$5.25/roll |
| 69915 | Two-ply bond, (W × L) 3 in × 90 ft (76.2 mm × 27.4 m), 3 in dia, 1/2 in core white/canary yellow | \$7.50/roll |
| 69917 | One-ply thermal, (W) 3.125 in (75.44 mm, 2.97 in dia.) 7/16 in core 230 ft | \$6.00/roll |
| 70083 | One-ply thermal, (W) 3.23 in (82 mm, 3 in dia.), 8 in roll dia. (2,020 ft long) 1 1/2 in core | \$35.00/roll |
| 71214 | One-ply plain paper, (W) 3.25 in (82.5 mm, 3 in dia.), 50 rolls per case, 3/8 in core | \$100.00/case |
| 105711 | Two-ply plain paper, (W) 3.25 in, 50 per case, 3/8 in core 3 in outer diameter | \$180.00/case |
| 105712 | Three-ply plain paper, (W) 3 in, 50 per case, 3/8 in core, 3 in outer diameter (white, canary, pink) | \$192.00/case |
| 102950 | One-ply thermal, (W) 4.4 in, 6 in outer diameter, 1 in core, 930 ft roll | \$42.50/roll |
| 20448 | One-ply bond, (W × L) 4.5 in × 165 ft, 7/16 in core, 3 in outer diameter | \$9.50/roll |
| 42672 | Two-ply, (W × L) 4.5 in × 95 ft, 3 in outer diameter | \$8.50/roll |
| 70683 | One-ply bond, (W × D) 4.5 × 3 in, sprocket feed, 140 ft | \$13.00/roll |
| 107618 | One-ply thermal, (W) 10 mm (4.4 in, 4 in) outer diameter, 500 ft | \$20.00/roll |
| 102957 | One-ply thermal, (W) 58 mm (2.28 in, 2 3/4 in) outer diameter, 1/2 in core | \$4.25/roll |
| Epson | | |
| 105445 | One-ply thermal, (W) 80 mm (3.1 in, 6 in) outer diameter, 710 ft/roll | \$30.00/roll |
| 105446 | One-ply thermal, (W) 80 mm (3.1 in, 8 in) outer diameter, 1,268 ft/roll | \$32.50/roll |
| 75947 | One-ply thermal, (W × L) 2.25 in × 85 ft, 1 7/8 in outer diameter, Mobilink, 1/2 in core | \$6.50/roll |
| 126092 | One-ply receipt (W × L) 2 in × 574 ft, 1 in core, 5 in O.D., 6 rolls/case | \$87.00/case |
| Kiosk Printers | | |
| 50426 | One-ply, (W × D) 3.25 in × 6 in, 7/16 in core 950 ft | \$29.00/roll |
| 104940 | One-ply thermal, (W × D) 112 mm × 5 in, 1 in core, 625 ft | \$28.75/roll |
| Zebra Mobile | | |
| 105566 | One-ply thermal, 2 in continuous 79 ft rolls, 2.5 in OD (36 per case) | \$79.50/case |
| 105565 | One-ply thermal, 4 in continuous 79 ft rolls, 2.5 in OD (36 per case) | \$145.00/case |
| Misc | | |
| 66653 | One-ply thermal, (W × L) 80 mm (3.1 in × 455 ft, 5 in diameter for Swecoin, Star TUP 900) | \$27.00/roll |
| 76076 | One-ply thermal, (W) 60 mm (2 3/8 in), 100 mm) outer diameter 40 mm core, wound out | \$13.75/roll |
| 73134 | One-ply bond, (W) 1 3/4 in × 1-7/8 in outer diameter, 7/16 in core | \$3.75/roll |
| 47341 | One-ply thermal, (W × L) 64 mm × 50 m, 1 9/16 in core | \$5.50/roll |
| 110463 | (W × L) 2 × 3 in label, RW 220 or RW 420, 125 labels/roll, 2 in OD, 36 per case | \$104.00/case |
| 165865 | Thermal paper, (W × D) 4 × 5 in, 6 rolls/case | \$335.00/case |
| 166916 | Thermal paper, (W × D) 8.5 in × 565 ft, continuous, 4 rolls/case | \$375.00/case |

Electronic Scale Tickets

Standard Features

Hecon® Printers, EL522 & EL516 - 20266

- Triplicate interleaved
- Size (L × W): 7.875 × 4.25 in (200 × 127 mm)
- Order quantity: 500 per package
- Carbonless

20266

Standard Features

SP2200, SP2000 - 20265

- Triplicate interleaved, perforated and glued on one end
- Size (W × L): 5.5 × 9 in (139.7 × 228.6 mm)
- Order quantity: 500 per package
- Carbonless

20265

Standard Features

Rice Lake Scales - 71630 or 105182

- Duplicate or triplicate
- Size (W × L): 4.25 × 7 in (107 × 177.8 mm)
- Attached at 4.25 in side
- Order quantity: 500 per package
- Custom (duplicate): Add company name (min. order two packs)
- Custom (triplicate): Add company name (min. order two packs)
- Carbonless



Standard Features

Blank Scale Ticket - 22263

- Triplicate
- White, canary yellow and pink
- Size (L × W): 5.50 × 4.25 in (140 × 108 mm)
- Attached at 4.25 in edge
- Custom: Add company name (min. order of 1,000)
- Carbonless



Part Number/Price

| Part # | Description | Price |
|--------|---|--------------|
| 20266 | Hecon Printers, EL522 and EL516, 500/pack | \$110.40 |
| 20265 | SP2200, SP2000, 500/pack | \$114.00 |
| 71630 | Rice Lake ticket, two part, 500/pack | \$60.00 |
| 105182 | Rice Lake ticket, three part, 500/pack white, canary yellow, pink | \$86.50 |
| 22263 | Blank scale ticket, each | \$25.00 each |

PRINTERS

Mechanical Scale Tickets

Standard Features

- Fairbanks Scales® - 20260
- Carbonless triplicate with 2 in (50.8 mm) tear-off flap
- Size (W × L): 4.75 × 1.875 in (120.7 × 47.6 mm)
- Order quantity: 500 per package

| WEIGHED ON A FAIRBANKS SCALES | | | | | | No. |
|-------------------------------|------|---------|---------|--|------|-------------------|
| Load | | | | | Date | |
| From | | | | | | |
| Gross | lbs. | To | | | | |
| Tare | lbs. | Address | | | | |
| Net | lbs. | Price | Amt. | | | |
| | On | Off | Weigher | | | |
| Form 333A | | | | | | Printed in U.S.A. |

Standard Features

- Howe Scales - 20261
- Carbon triplicate with 2 in (50.8 mm) tear-off flap
- Size (W × L): 5.5 × 1.75 in (139.7 × 44.5 mm)
- Order quantity: 500 per package

| Weights obtained by using THE HOWE PATENTED RECORDING BEAM | | | | | | | |
|--|-------|----------|-----------|--|--|----|--|
| From | | | | | | To | |
| Gross Tare Net | Gross | Loaded | To Off | | | | |
| | Tare | Unloaded | | | | | |
| | | Price | | | | | |
| | | Net | | | | | |

Create Your Own Custom Ticket

Standard Features

- Send us a copy of the existing custom format or drawing of a completely new one. Please specify number of carbon copies, dimensions, colors and text. Minimum order quantity may apply.
- Download form at ricelake.com/customlabel

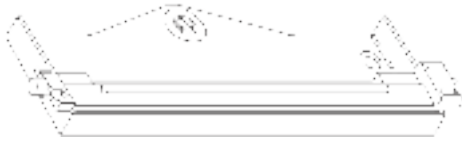


PRINTERS

Part Number/Price

| Part # | Description | Price |
|--------|----------------------------|---------|
| 20260 | Fairbanks scales, 500/pack | \$78.00 |
| 20261 | Howe scales, 500/pack | \$78.00 |

Replacement Printheads



Part Number/Price

| Part # | Description | Price |
|------------------------|---|------------|
| Label Printers | | |
| 78998 | Eltron/Zebra® LP/TLP-2824 (2 in) | \$175.00 |
| 78999 | Eltron/Zebra® LP-2844 (4 in) | \$205.00 |
| 79000 | Eltron/Zebra® TLP-2844 (4 in) | \$225.00 |
| 95375 | Eltron/Zebra® Z4000, S4M (203 dpi) | \$730.00 |
| 111091 | Eltron/Zebra® Zebra GK, (203 dpi) | \$210.00 |
| 107532 | GoDex® DT2X printhead | \$120.00 |
| 150743 | GoDex® DT4xW printhead | \$205.00 |
| 150746 | GoDex® G500 printhead | \$205.00 |
| 53939 | Honeywell® I-4208 I-4210, I-4212 (203 dpi) | \$475.00 |
| 210807 | Honeywell® M-4210, 203 dpi | \$1,170.00 |
| 96957 | Honeywell® H-4212, 203 dpi | \$475.00 |
| 112517 | Honeywell® E4205 (e) (203 dpi) | \$175.00 |
| 103368 | Honeywell® M4206, (203 dpi) | \$990.00 |
| 118183 | Honeywell® Print engine A-class model 4212, 203 dpi | \$475.00 |
| Tape Printers | | |
| 118730 | Epson® TM-U220 | \$135.00 |
| Ticket Printers | | |
| 29535 | Epson® TM-290/TM-U295 | \$315.00 |
| 116659 | Epson® TM-U590 | \$315.00 |
| 68726 | Epson® TM-U590 print mechanism | \$890.00 |
| 35347 | Rice Lake Weighing Systems SP2200 | \$300.00 |
| 72513 | Star® SP298 | \$135.00 |

PRINTERS

Printer Cables



Part Number/Price

| Part # | Description | Price |
|---|--|---------|
| Interface Cables for TicketPress, SP-2200, TM-U295, TM-U590 and Star® Printers | | |
| 15547 | Blunt end, 25-pin D-sub male RS-232 serial interface cable | \$70.00 |
| 15548 | 25-pin D-sub male to 25-pin D-sub male 20 mA serial interface cable (SP2200 only) | \$70.00 |
| 15568 | 25-pin D-sub male to 25-pin D-sub male RS-232 serial interface cable (this is a kit, not a complete cable) | \$70.00 |
| Consult | Custom 20 mA/RS-232 serial interface cable | \$95.00 |
| Interface Cables for I-Class | | |
| 15547 | Blunt end, 25-pin D-sub male RS-232 serial interface cable | \$70.00 |
| Consult | Custom RS-232 interface cable | \$95.00 |
| Interface Cables for Desktops, GoDEX Models, Zebra, E-4203 and M-4206 | | |
| 41276 | DB9 male RS-232 cable to blunt end | \$77.00 |
| Straight Cable | | |
| 70056 | DB9 male to DB9 female | \$40.00 |
| 50749 | DB9 female to DB9 female | \$60.00 |
| 41279 | DB25 male to DB9 male | \$70.00 |
| 72440 | DB25 male to DB9 female | \$67.00 |
| Null Modem Cable | | |
| 66535 | DB9F to DB9 female, null modem | \$46.00 |
| 64794 | DB9 male to DB9 female | \$69.00 |
| USB Cable | | |
| 79074 | USB-A (male) to USB-B (male) cable, 6 ft | \$35.00 |
| 156806 | USB-A (male) to USB-A (male) cable, 1 m | \$35.00 |
| 156807 | USB-A (male) to USB-A (male) cable, 3 m | \$50.00 |
| 156808 | USB-A (male) to USB-A (male) cable, 5 m | \$60.00 |
| 156809 | USB-A (male) to USB-B (male) cable, 1 m | \$55.00 |
| 156815 | USB-A (male) to USB-B (male) cable, 3 m | \$55.00 |
| 156811 | USB-A (male) to USB-B (male) cable, 5 m | \$70.00 |
| Ethernet Cable/RJ45 | | |
| 72697 | RJ45 to RJ45, 7 ft | \$40.00 |
| 78860 | RJ45 to RJ45, crossover 7 ft | \$40.00 |
| 75594 | RJ45 to nine-pin female | \$70.00 |
| 156817 | RJ45, 1 m | \$35.00 |
| 156818 | RJ45, 3 m | \$42.00 |
| 156821 | RJ45, 5 m | \$50.00 |
| Misc. Cables and Adapters | | |
| 22436 | Blunt end, nine-pin D-sub female | \$70.00 |
| 130213 | Blunt end DB25 male | \$58.00 |
| 165698 | Female to male gender changer | \$11.25 |
| 119064 | Slimline, null modem gender changer, DB9 female/female | \$12.50 |
| 130789 | Null modem DB9 M/F | \$14.50 |

Blunt-end cables interface to: UMC444, UMC555, UMC600, IQ700, IQ plus® 310A, IQ plus® 355, IQ plus® 390-DC, IQ plus® 510, IQ plus® 590-DC, IQ plus® 710, IQ plus® 800, and IQ plus® 810, 520 and 920i®

Custom cables are designed to interface with your specific equipment. Please specify equipment model number and connector type. Standard cable length is 5ft (1.5m).



Standard Features

- Tough, flexible transparent vinyl, constructed with heavy-duty stitching
- Loose fit allows for operation of switches or controls through the dust cover
- Available for most types of scale equipment

Protect your electronic scales, weight indicators and printers with a scale veil. Reduce costly repairs and down time due to moisture penetrating through instrument enclosures during cleanup or operation.

Part Number/Price

| Model | Part # | Price |
|---------------------------|---------------|---------|
| Epson | | |
| TM290/295 | 29582 | \$58.00 |
| TM-U200 TM-U220 | 35666 | \$63.00 |
| TM-U590 | 111840 | \$69.00 |
| Okidata | | |
| Okidata 184 Turbo printer | 21208 | \$65.00 |
| Okidata 320/390 | 21226 | \$65.00 |

Custom veils and specials available; consult factory.

Remote Displays / Scoreboards

TABLE OF CONTENTS

| | |
|--|------------|
| LaserLight2™ | 930 |
| <i>Remote Display</i> | |
| LaserLight3™ | 932 |
| <i>Color Messaging Remote Display</i> | |
| LaserLT-60 and LaserLT-100 | 934 |
| <i>Remote Display or Weight Indicators</i> | |
| RD-232 | 936 |
| <i>Remote Display</i> | |
| RD-300 | 937 |
| <i>Remote Display</i> | |

REMOTE DISPLAYS /
SCOREBOARD

Product names, logos, brands and other trademarks featured or referred to within this publication are the property of their respective trademark holders.

LaserLight2™

Remote Display



Specifications

Display:

6-digit, 7-segment discrete red LED lamps
 Contrast enhanced optical filtering lens
 1 or 2 place decimal or comma indication
 4 annunciators for GR, NT, lb, kg
 4-inch red, green ball/arrow in stop/go model

Maximum Viewing Distance:

4 in: 100 ft (30 m)
 6 in: 150 ft (46 m)

Input Interface:

RS-232, RS-485, 20 mA current loop (active or passive, switch selectable)

Output Interface:

Configurable echo out port or RS-232

Input Data Format:

Baud Rate: 1200, 2400, 4800, 9600 and 19200
 Self-learning or software selectable

Character Format:

7 or 8 data bits; even, odd, or no parity; 1 or 2 stop bits, self-learning or software selectable

Update:

Continuous or out-of-motion only;
 software selectable

Power Consumption:

AC voltages: 100/240 VAC; 50/60 Hz
 4 in: 21 watt
 6 in: 27 watt

Time:

Software enable/disable, 12- or 24-hour format

Date:

Software enable/disable, US or ISO format

Rating/Material:

IP66 weather tight, mild steel, powder coated

Weight:

4-inch: 20 lb (9 kg)
 6-inch: 25 lb (11 kg)

Temperature:

Operating:
 -40 °F to 120 °F (-40 °C to 49 °C)

Warranty:

Two-year limited

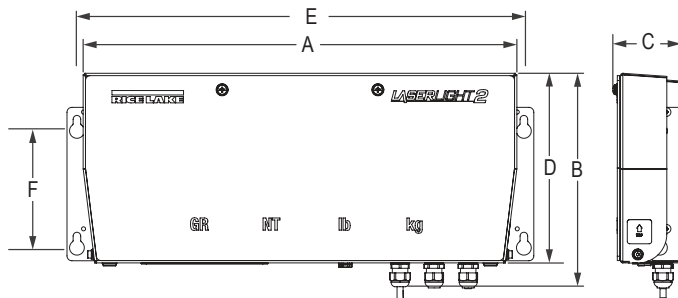
Dimensions

| LaserLight2 | | | |
|---|-------------------|---|---------------------------------|
| 22-in Enclosure (Four-in Model) | | | |
| A | 22.28 in (565 mm) | D | 9.80 in (250 mm) |
| B | 10.96 in (280 mm) | E | 23.00 in (584 mm) |
| C | 3.28 in (85 mm) | F | 6.00 in (152 mm) 3/8 in bolt |
| 31-in Enclosure (Six-in and Stop & Go Models) | | | |
| A | 30.63 in (780 mm) | D | 12.77 in (325 mm) |
| B | 13.94 in (355 mm) | E | 31.00 in (787 mm) |
| C | 3.73 in (95 mm) | F | 7.75 in (197 mm) 3/8 in bolt |

(Flanges add 2.00 in width)

Standard Features

- Available with a 4 in (100 mm) or 6 in (150 mm) digit display
- Six high-intensity red digits (double-row discrete LED)
- Time and date displayed when scale is empty
- Auto Learn mode of communication protocols
- Hold displayed weight (demand input)
- Software selectable standstill mode for no updates while in motion
- Setting for 10 levels, daylight/night intensity
- Non-glare contrast filtered lens
- Mirror (reverse image) function
- Wall mounted with side flanges or with VESA mount
- Gore-Tex® breather vent inhibits internal moisture buildup
- Red, green and arrow lights in stop/go version, set with either digital input or serial command



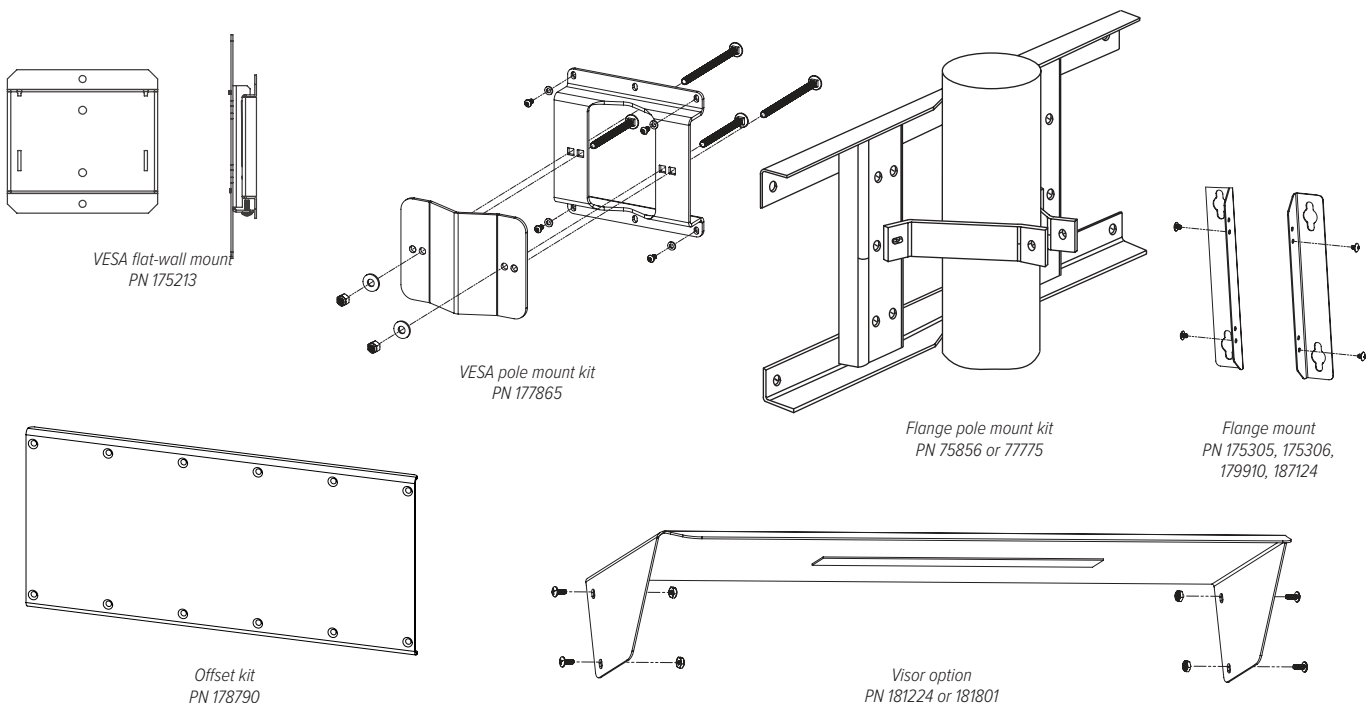
REMOTE DISPLAYS /
SCOREBOARD

Part Number/Price

| Part # | Description | Est. Weight | Price |
|---------------------------------------|---|-------------|------------|
| Includes Flange Mount Hardware | | | |
| 167091 | LaserLight2 remote display 4-in (100 mm) includes PN 175305 | 20 lb | \$2,015.00 |
| 167092 | LaserLight2 remote display 6-in (150 mm) includes PN 175306 | 25 lb | \$2,550.00 |
| 167093 | LaserLight2 remote display stop/go 4-in (100 mm) includes PN 175306 | 25 lb | \$2,550.00 |
| 175286 | LaserLight2 remote display 4-in (100 mm) stainless steel includes PN 179910 | 20 lb | \$2,400.00 |
| 187120 | LaserLight2 remote display stop/go 4-in (100 mm) stainless steel includes PN 187124 | 25 lb | \$2,975.00 |
| Includes VESA Mount Hardware | | | |
| 175860 | LaserLight2 remote display 4-in (100 mm) includes PN 175213 | 20 lb | \$2,040.00 |
| 175861 | LaserLight2 remote display 6-in (150 mm) includes PN 175213 | 25 lb | \$2,575.00 |
| 175862 | LaserLight2 remote display stop/go 4-in (100 mm) includes PN 175213 | 25 lb | \$2,575.00 |

Options/Accessories

| Part # | Description | Price |
|--------|---|----------|
| 175052 | Wireless interface, pair of ConnexLink Radios and mount | \$835.00 |
| 214644 | Wireless interface, ConnexLink radio client kit | \$495.00 |
| 175213 | Mount bracket, VESA flat-wall option (included with VESA mounted remote) | \$95.00 |
| 175305 | Mount bracket, 4-in flange option (included with flange mounted remote) | \$29.00 |
| 175306 | Mount bracket, 6-in flange option (included with flange mounted remote) | \$29.00 |
| 179910 | Mount bracket, 4-in stainless steel flange option (included with flange mounted stainless steel remote) | \$32.00 |
| 187124 | Mount bracket, 6-in stainless steel flange option (included with flange mounted stainless steel remote) | \$42.00 |
| 75856 | Pole mount kit, 4-in flange option (24-in wide frame for 4-8 in dia. pole) | \$280.00 |
| 77775 | Pole mount kit, 6-in and 4-in stop/go flange option (32-in wide frame for 4-8 in dia. pole) | \$280.00 |
| 177865 | Pole mount kit, VESA flat-wall option mount for 2-6 inch pole | \$90.00 |
| 178790 | Offset kit (right or left flange mount) used with universal pole mount (requires PN 177865) | \$82.00 |
| 181224 | Visor for 22 in enclosure (not required for weather protection) | \$190.00 |
| 181801 | Visor for 31 in enclosure (not required for weather protection) | \$205.00 |



REMOTE DISPLAYS /
SCOREBOARD

LaserLight3™

Color Messaging Remote Display



Standard Features

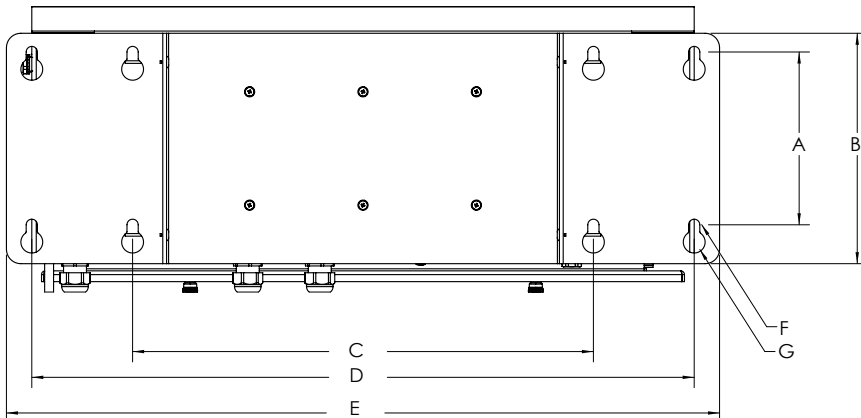
- Vibrant 128- by 32-pixel LED color display with non-glare lens; high-intensity digits up to 5 inches tall
- Color commands change background and foreground text
- Auto Learn identifies and interprets the source weight data string for maximum compatibility with a wide range of indicators
- Versatile layout choices include mirror mode, 1-line, 2-line and quadrant format
- Dynamic messaging views can scroll, slide or flash
- Display stop/go light symbols/arrows with digits up to 4 inches tall
- Selectable time/date when weight is at zero
- Integrated weathertight keypad for sending configurable scale commands to the indicator
- Durable IP66 enclosure with Gore-Tex® breather vent to inhibit internal moisture
- RS-232, RS-422, 20 mA and Ethernet TCP/IP
- Mounting options include VESA, flange and pole configurations

Options

- Wireless LAN, Wi-Fi interface 802.11 a/b/g/n
- Wireless interface, pair of ConnexLink radios and mount
- Pole mount kit for 4 to 8 inch pole
- VESA kit for 2 to 6-inch pole
- Sunshade visor, 8-inch painted steel

Dimensions

| LaserLight3 | | | |
|-------------|-------------------|---|--------------------|
| A | 6.00 in (152 mm) | E | 25.00 in (6.35 mm) |
| B | 8.00 in (203 mm) | F | 0.39 in (10 mm) |
| C | 16.00 in (406 mm) | G | 0.76 in (19 mm) |
| D | 23.00 in (584 mm) | | |



Specifications

Power Consumption:

AC voltages: 100 to 240 VAC; 50/60 Hz
120 watt (120 VAC)
95 watt (12 VDC)

Output Interface:

Ethernet TCP/IP, independently configurable
echo port

Input Data Format:

Baud Rate: 1200, 2400, 4800, 9600, 19200, 38400,
57600 and 115200 self-learning or configurable

Update:

Continuous or out-of-motion modes
Message interrupt mode

Digital I/O:

Four I/O read or set
5 V logic

Communication Ports:

Ethernet TCP/IP, RS-232, RS-485,
20 mA current loop

Character Format:

7 or 8 data bits; even, odd, or no parity;
1 or 2 stop bits

Maximum Viewing Distance:

4-inch character: 100 ft (30 m)
5-inch character: 150 ft (46 m)

Viewing Angle:

160°

Display:

Bright, outdoor color LED lamps
128 × 32-pixel, 4 mm pitch
Decimal or comma indication
Weight display with units and mode
Message display 1, 2 or 4 lines
Stop/go and directional arrow

Keys/Buttons:

Integrated keypad

Time:

Software enable, 12- or 24-hour format

Date:

Software enable, US or ISO format

Temperature:

Operating: -40 °F to 120 °F (-40 °C to 49 °C)

Rating/Material:

IP66 weathertight
Mild steel, powder-coated

Weight:

Without wall mount: 14.19 lb (7.81 kg)
With wall mount: 20.48 lb (10.66 kg)
With sunshade and wall mount: 29.79 lb (14.88 kg)

Warranty:

Two-year limited

Part Number/Price

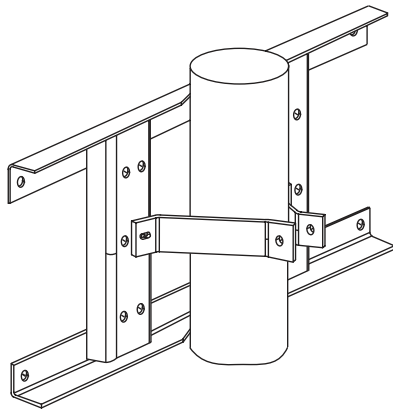
| Part # | Description | Est. Weight | Price |
|-------------------------|--|-------------|------------|
| Remote Display | | | |
| 214825 | LaserLight3 color 5-in (127 mm) messaging remote display | 20 lb | \$2,110.00 |
| Weight Indicator | | | |
| 205780 | LaserLight3 large display weight indicator | 20 lb | \$2,495.00 |

Options/Accessories

| Part # | Description | Price |
|--------|--|----------|
| 224940 | Cantilever side-mount, mild steel, allows display to be turned for viewing, yellow powder coated finish. | Consult |
| 212745 | Pole mount kit, VERSA flat-wall for 2 to 6 in diameter pole, 6 fasteners (M4 × 8 mm) | \$100.00 |
| 75856 | Pole mount kit, 4 in flange style, 24 in wide frame for use with 4 to 8 in diameter pole | \$280.00 |
| 208807 | Sunshade, 8 in | \$135.00 |
| 209118 | Wireless LAN, RS-232/Wi-Fi interface 802.11 a/b/g/n XPico module | \$250.00 |
| 212753 | RF interface, paired ConnexLink radios transceiver kit and mount | \$835.00 |



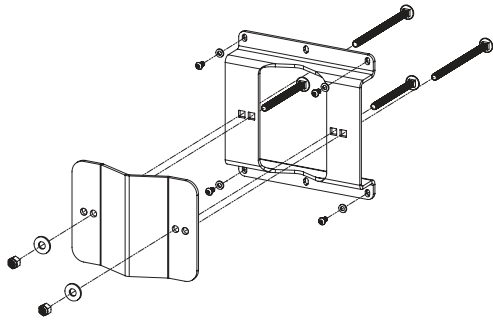
Pictured with optional sunshade visor and legacy mode stop/go



*Flange pole-mount kit
PN 75856*



Cantilever side-mount pictured with optional VESA pole-mount kit



*VESA pole-mount kit
PN 212745*



*Sunshade
PN 208807*

**REMOTE DISPLAYS /
SCOREBOARD**

LaserLT-60 and LaserLT-100

Remote Display or Weight Indicators

LaserLT-60



LaserLT-100

Approvals



Part Number/Price

| Part # | Description | Price |
|-------------------------|---|------------|
| Remote Display | | |
| 185253 | LaserLT-60 remote display, 2.4 in (60 mm) LED | \$1,330.00 |
| 185255 | LaserLT-100 remote display, 4.0 in (100 mm) LED | \$1,715.00 |
| Weight Indicator | | |
| 197453* | LaserLT-60, indicator for weighing 2.4 in (60 mm) LED | \$1,380.00 |
| 197454* | LaserLT-100, indicator for weighing 4.0 in (100 mm) LED | \$1,765.00 |

*See Instrumentation catalog section for LaserLT models that are configurable as a weight indicator (using SCT-1100 firmware).

- Max 10,000 divisions or multi-range
- A/D 24 bit 4-channel conversion
- Connect 4 cells with summing or up to 4 independent weighing systems

Options/Accessories

| Part # | Description | Price |
|--------|--|----------|
| 185256 | Mount bracket, 2 tilting side brackets for LaserLT-100 | \$65.00 |
| 185258 | Visor for LaserLT-100 | \$165.00 |

Standard Features

- LED display
- Auto Learn mode, weight value only
- Manual configuration for format length, weight location, termination character
- Manual Configuration mode for reading weight, variables and bitmap bytes
- Parameters for motion, overload, decimal point, net character, COZ
- Status LEDs for zero, motion, net, unit 1, unit 2
- Integrated five-key waterproof keypad with configurable scale commands
- Adjustment for six levels of brightness through the keypad
- Includes removable back wall mount bracket
- Fitted with anti-condensation air valve to regulate humidity and pressure

Specifications

Power:

AC voltages: 110 to 240 VAC
DC voltages: 12 to 24 VDC

Display:

6-digit, 7-segment discrete red LED lamps, single width
2.4 in (60 mm) or 4 in (100 mm) digit
Decimal/comma indication in any position
Annunciators for NT, Stability, COZ

Maximum Viewing Distance:

LaserLT-60: 2.4 in digit 75 ft (25 m)
LaserLT-100: 4 in digit 100 ft (30 m)

Communication Ports:

RS-232, RS-485

Input Data Format:

Baud rate: 1200 to 115.2 K software selectable
Even parity 7 data bits, or no parity 8 data bits

Update:

Software selectable 1-20/sec

Digital I/O:

Two inputs, 12 to 24 VDC
Two outputs, 48 VAC, 60 VDC max

Rating/Material:

304 stainless steel, IP68

Weight:

10 lb

Temperature:

Operating:
-40 °F to 120 °F (-40 °C to 49 °C)

Warranty:

One-year limited

Approvals:

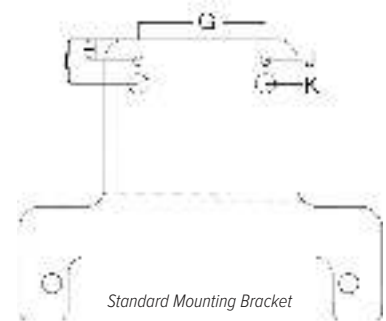
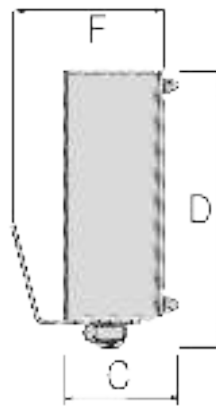
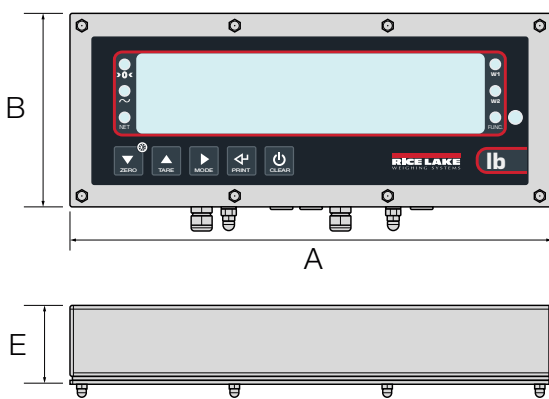
CE Marked

LaserLT-60 and LaserLT-100

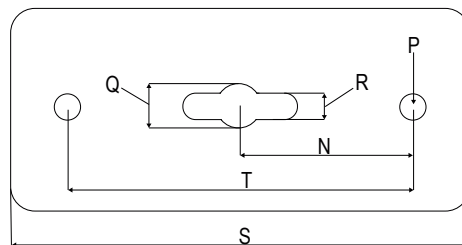
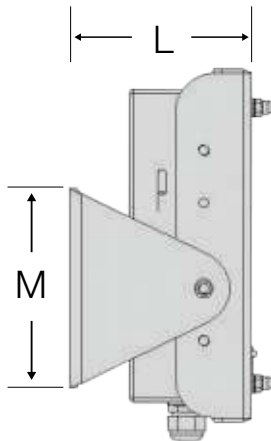
Remote Display or Weight Indicators

Dimensions

| LaserLT-60/LaserLT-100 | | | |
|-------------------------------|-------------------|---|------------------|
| LaserLT-60 | | | |
| A | 16.14 in (410 mm) | D | 7.28 in (185 mm) |
| B | 6.50 in (165 mm) | E | 2.64 in (67 mm) |
| C | 3.03 in (77 mm) | F | 4.84 in (123 mm) |
| LaserLT-100 | | | |
| A | 16.93 in (430 mm) | D | 7.63 in (194 mm) |
| B | 7.28 in (185 mm) | E | 2.52 in (64 mm) |
| C | 2.52 in (64 mm) | F | 3.98 in (101 mm) |
| Mount Bracket Hole Dimensions | | | |
| G | 2.36 in (60 mm) | J | 0.24 in (6 mm) |
| H | 0.39 in (10 mm) | K | 0.39 in (10 mm) |
| I | 0.81 in (21 mm) | | |



| Optional Side Bracket for LaserLT-100 Hole Dimensions | | | |
|---|------------------|---|------------------|
| L | 3.98 in (101 mm) | Q | 0.43 in (11 mm) |
| M | 4.13 in (105 mm) | R | 0.28 in (7 mm) |
| N | 1.57 in (40 mm) | S | 4.13 in (105 mm) |
| P | 0.28 in (7 mm) | T | 3.15 in (80 mm) |



LaserLT-100
Optional Side Bracket

REMOTE DISPLAYS /
SCOREBOARD

RD-232

Remote Display



RD-232 NEMA Type 4X FRP Enclosure



RD-232 Compact Stainless Steel Wall Mount Enclosure



RD-232 NEMA Type 4X Stainless Steel Wall Mount Enclosure

Standard Features

- AC or DC operation
- Easy-to-read 0.8 in (20 mm) LED red or green (sunlight visible)
- Three enclosure types or panel mount kit
- Four annunciators
- Full floating decimal point
- Compatible with a variety of digital weighing indicators; DIP switch selectable intuitive data receiver interprets serial strings

Specifications

Display:

6-digit, 7-segment, 0.8 in (20 mm)
LED
Red (standard intensity)
Green (sunlight visible)

Annunciators:

lb, kg, gross, net

Operating Voltage:

115 VAC, 230 VAC available
DC voltage Range: 6.2 to 18 VDC

Input Interface:

RS-232, 20 mA active or passive current loop
ASCII compatible

Baud Rate:

Selectable: 300, 600, 1200, 2400, 4800,
9600, 19200

Temperature:

Operating:
-13 °F to 104 °F (-25 °C to 40 °C)

Rating/Material:

NEMA Type 4X FRP or stainless steel

Weight:

Approximately 5 lb (2.3 kg)
Stainless steel unit, approximately 8 lb (3.6 kg)

Warranty:

One-year limited

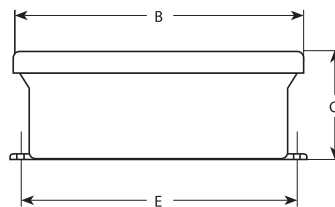
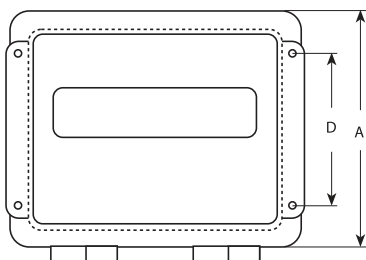
Part Number/Price

| Part # | Description | Est. Weight | Price |
|------------------|--|-------------|------------|
| Red LED | | | |
| 32716 | RD-232, 115 VAC/12 VDC, FRP enclosure, red LED | 5 lb | \$1,030.00 |
| 68786 | RD-232, 115 VAC/12 VDC, compact stainless steel wall mount enclosure, red LED | 5 lb | \$1,030.00 |
| 32717 | RD-232, 115 VAC/12 VDC, NEMA Type 4X stainless steel wall mount enclosure, red LED | 8 lb | \$1,280.00 |
| 32727 | RD-232, 115 VAC/12 VDC, panel mount, red LED | 3 lb | \$980.00 |
| 34748 | RD-232, 230 VAC/12 VDC, no power cord, FRP enclosure, red LED | 5 lb | \$1,130.00 |
| Green LED | | | |
| 178168 | RD-232, 117 VAC/12 VDC, FRP enclosure, green LED | 5 lb | \$1,030.00 |
| 178169 | RD-232, 117 VAC/12 VDC, compact stainless steel wall mount enclosure, green LED | 5 lb | \$1,030.00 |
| 178170 | RD-232, 117 VAC/12 VDC, NEMA Type 4X stainless steel wall mount enclosure, green LED | 8 lb | \$1,280.00 |
| 178171 | RD-232, 220 VAC/12 VDC, FRP enclosure, no power cord, green LED | 5 lb | \$1,130.00 |

Specify interfacing indicator when ordering a remote display

Options/Accessories

| Part # | Description | Price |
|--------|---|---------|
| 33210 | Additional operating manual (RD-232/RD-300) | \$25.00 |



Dimensions

| RD-232 | | | |
|-----------------------------------|-------------------|---|------------------|
| FRP Enclosure | | | |
| A | 8.00 in (203 mm) | D | 4.00 in (101 mm) |
| B | 9.50 in (241 mm) | E | 9.00 in (222 mm) |
| C | 6.00 in (152 mm) | | |
| Stainless Steel Enclosure | | | |
| A | 8.00 in (203 mm) | D | 8.63 in (219 mm) |
| B | 10.00 in (254 mm) | E | 8.00 in (203 mm) |
| C | 4.31 in (109 mm) | | |
| Compact Stainless Steel Enclosure | | | |
| A | 6.25 in (158 mm) | D | 5.25 in (133 mm) |
| B | 9.25 in (234 mm) | E | 8.50 in (215 mm) |
| C | 2.00 in (50 mm) | | |
| Panel Mount | | | |
| A | 5.88 in (149 mm) | D | 5.12 in (130 mm) |
| B | 7.88 in (200 mm) | E | 7.12 in (180 mm) |
| C | 2.00 in (50 mm) | | |



RD-300 NEMA Type 4X FRP Enclosure



RD-300 Compact Stainless Enclosure



RD-300 NEMA Type 4X Stainless Steel Enclosure

Standard Features

- Easy-to-read 1 in (25 mm) LCD
- Three enclosure types or panel mount kit
- Status annunciators
- AC operation
- Backlight for dark conditions
- Compatible with a variety of digital weight indicators; intuitive data receiver automatically interprets serial strings

Specifications

Display:

6-digit, 7-segment, 0.8 in (20 mm) LED

Annunciators:

lb, kg, gross, net

Operating Voltage:

115 VAC, 230 VAC available
DC Voltage Range: 6.2 to 18 VDC

Input Interface:

RS-232, 20 mA active or passive current loop
ASCII compatible

Baud Rate:

Selectable: 300, 600, 1200, 2400, 4800, 9600, 19200

Temperature:

Operating:
-13 °F to 104 °F (-25 °C to 40 °C)

Rating/Material:

NEMA Type 4X FRP or stainless steel

Weight:

Approximately 5 lb (2.3 kg)
Stainless steel unit, approximately 8 lb (3.6 kg)

Warranty:

One-year limited

Part Number/Price

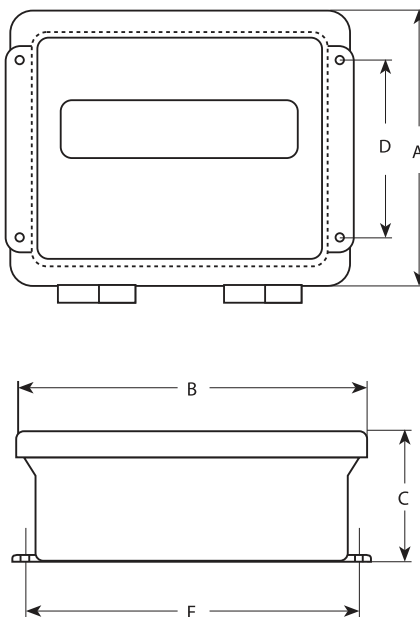
| Part # | Description | Est. Weight | Price |
|--------|--|-------------|------------|
| 68782 | RD-300 AC, compact stainless steel enclosure with backlight | 5 lb | \$1,055.00 |
| 22532 | RD-300 AC, FRP enclosure with backlight | 5 lb | \$1,055.00 |
| 22536 | RD-300 AC, NEMA Type 4X stainless steel enclosure with backlight | 8 lb | \$1,305.00 |
| 22540 | RD-300 AC, panel mount with backlight | 3 lb | \$980.00 |
| 34750 | RD-300 AC, 230 VAC, FRP enclosure with backlight | 5 lb | \$1,155.00 |

Options/Accessories

| Part # | Description | Price |
|--------|---|---------|
| 33210 | Additional operating manual (RD-300/RD-232) | \$25.00 |

Dimensions

| RD-300 | | | |
|-----------------------------------|-------------------|---|------------------|
| FRP Enclosure | | | |
| A | 8.00 in (203 mm) | D | 4.00 in (101 mm) |
| B | 9.50 in (241 mm) | E | 8.75 in (222 mm) |
| C | 6.00 in (152 mm) | | |
| Stainless Steel Enclosure | | | |
| A | 8.00 in (203 mm) | D | 8.63 in (219 mm) |
| B | 10.00 in (254 mm) | E | 8.00 in (203 mm) |
| C | 4.31 in (109 mm) | | |
| Compact Stainless Steel Enclosure | | | |
| A | 6.25 in (158 mm) | D | 5.25 in (133 mm) |
| B | 9.25 in (234 mm) | E | 8.50 in (215 mm) |
| C | 2.00 in (50 mm) | | |
| Panel Mount | | | |
| A | 5.88 in (149 mm) | D | 5.12 in (130 mm) |
| B | 7.88 in (200 mm) | E | 7.12 in (180 mm) |
| C | 2.00 in (50 mm) | | |



Retail

TABLE OF CONTENTS

| | |
|---|------------|
| Rice Lake RS-130/RS-160 | 940 |
| <i>Battery-Operated Price Computing Scales</i> | |
| Ishida Astra II | 941 |
| <i>Price Computing Scale with Printer</i> | |
| Ishida Astra II Standard Label Formats | 943 |
| BenchPro™ BP-R | 944 |
| <i>Multi-Purpose Digital Bench Scale</i> | |
| QuikSharp™ | 946 |
| <i>Sharpener</i> | |
| Weight Set | 946 |
| <i>ASTM Class 5 Stainless Steel Satin 30lb kit</i> | |

Product names, logos, brands and other trademarks featured or referred to within this publication are the property of their respective trademark holders.

Rice Lake RS-130/RS-160

Battery-Operated Price Computing Scales



RS-130 Pole



RS-160 Bench

Standard Features

- Toggle between lb/kg/oz*
- PLU keys for direct price lookups
- Cash back calculation
- Large stainless steel platter
- In-use cover
- Pole swivels to face desired direction
- Battery charge indicator
- Internal sealed battery
- Customer display

*Not Measurement Canada Approved

Specifications

Power:

Rechargeable battery: DC 6 V/25 mA
AC adapter: AC 115 V/0.1 A max (included)

Battery Life:

100+ hours, 8 to 10 hours to recharge

Resolution:

Display: 3,000 divisions maximum

Annunciators:

Net, zero, kg, lb, oz. change due, cash received

Display:

LCD backlit, 0.45 in (11.5 mm)

Display Items:

Weight: Five-digits
Unit price: Five-digits
Total price: Six-digits

Keys/Buttons:

Change, unit, zero, tare buttons
Nine PLU keys

Temperature Range:

Certified: 14 °F to 104 °F (-10 °C to 40 °C)

Warranty:

One-year limited

Approvals:

NTEP 04-067, Class III 3000d

Approvals



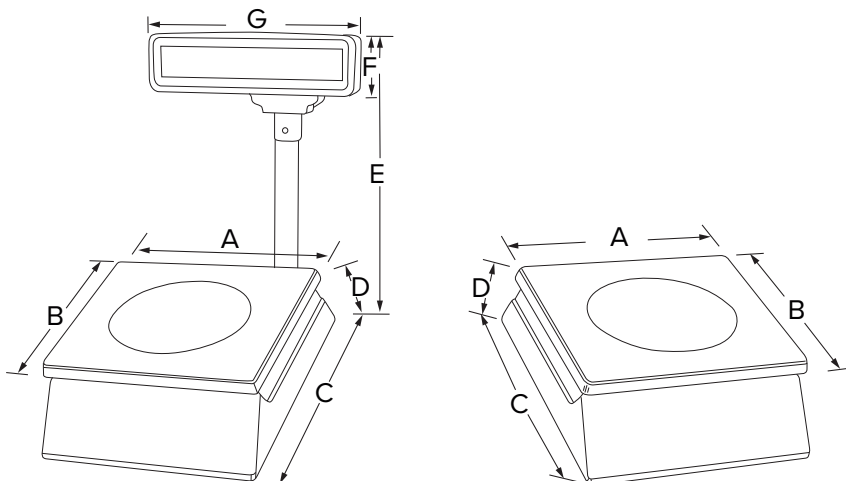
Part Number/Price

| Part # | Model | Capacity | Est. Weight | Price |
|--------|--------------|---|-------------|----------|
| 167941 | RS-130 Bench | 30 × 0.01 lb 15 × 0.005 kg 480 × 0.2 oz | 12 lb | \$383.50 |
| 168100 | RS-130 Pole | 30 × 0.01 lb 15 × 0.005 kg 480 × 0.2 oz | 13 lb | \$395.00 |
| 167942 | RS-160 Bench | 60 × 0.02 lb 30 × 0.01 kg 960 × 0.5 oz | 12 lb | \$394.00 |
| 168101 | RS-160 Pole | 60 × 0.02 lb 30 × 0.01 kg 960 × 0.5 oz | 13 lb | \$406.50 |

NOTE: Buy quantity of 5 and get a 50% discount

Options/Accessories

| Part # | Description | Price |
|--------|--|----------|
| 169634 | Additional operating manual | \$15.00 |
| 169635 | Additional calibration instructions | \$5.00 |
| 85711 | Additional in-use cover | \$6.50 |
| 47976 | Fish platter, (W × D) 9.5 × 13.5 in | \$104.00 |
| 47977 | Produce platter, (W × D) 9.5 × 13.5 in | \$82.00 |
| 85710 | Replacement rechargeable battery, 6 V | \$23.50 |



Dimensions

| Bench | | | |
|-------|--------|---|--------|
| Unit | | | |
| A | 300 mm | C | 330 mm |
| B | 240 mm | D | 120 mm |
| Pole | | | |
| Unit | | | |
| A | 300 mm | E | 410 mm |
| B | 240 mm | F | 78 mm |
| C | 330 mm | G | 280 mm |
| D | 120 mm | | |

RETAIL SCALES

Ishida Astra II

Price Computing Scale with Printer



Approvals



Part Number/Price

| Part # | Model | Capacity | Est. Weight | Price |
|--------|---|--------------|-------------|------------|
| 185822 | Astra II Bench | 30 × 0.01 lb | 25 lb | \$1,863.00 |
| 185823 | Astra II Pole | 30 × 0.01 lb | 25 lb | \$1,957.00 |
| 190641 | Astra II Lite software CD (available for download at www.ricelake.com) | | | N/C |
| 190642 | Astra II Lite license file (for one computer only, not transferable) | | | \$149.00 |

Options/Accessories

| Part # | Description | Price |
|--------------------|---|----------|
| 47977 | Produce platter (sits on top platter included with scale) | \$82.00 |
| 47976 | Fish platter (sits on top platter included with scale) | \$104.00 |
| 47341 | Continuous roll thermal journal paper, 64 mm W × 50 m L (for reports only) | \$5.50 |
| 184273* | Technical manual | \$15.00 |
| 184270* | Additional operating manual | \$15.00 |
| 184274* | Additional operation card | \$15.00 |
| 170916 | Additional operator keysheet insert | \$26.50 |
| Label Stock | | |
| 47732 | 2.36 × 1.73 in (60 × 44 mm) | \$93.00 |
| 47733 | 2.52 × 1.85 in (64 × 47 mm) | \$93.00 |
| 47735 | 2.52 × 2.32 (64 × 59 mm) | \$93.00 |
| 47736 | Pre-printed safe handling instructions, 2.52 × 2.32 in (64 × 59 mm) | \$93.00 |
| 47743*** | Extended text, 2.52 × 3.34 in (64 × 85 mm) | \$93.00 |
| 47745 | Pre-printed safe handling instructions on top of label, 2.52 × 3.34 in (64 × 85 mm) | \$93.00 |
| 47753 | Blank 2.52 × 1.46 in (64 × 37 mm) | \$93.00 |
| 47754 | Blank 2.52 × 1.85 in (64 × 47 mm) | \$93.00 |
| 47761 | Continuous strip label stock 2.25 × 121 in (64 × 37,000 mm) | \$93.00 |
| 47762 | Non-bar code, 2.52 × 2.32 in (64 × 37 mm) | \$93.00 |
| 105346 | Blank 2.52 × 3.34 in (64 × 85 mm) | \$93.00 |

Label stock, please consult factory for case quantity pricing. Examples shown on page 943
Labels sold by the case-12 rolls per case.

* Manuals and software programs can be downloaded at www.ricelake.com

*** Safe handling instructions can also be printed by scale

Standard Features

- Programmable function keys
- Blue alphanumeric LCD display
- Convenient side-loading label feature
- Wired Ethernet
- Customer display

Specifications

Power:

AC 100 to 240 V, 50/60 Hz

Power Consumption:

Standby: 50 W

In operation: 100 W

Resolution:

Display: 3,000 divisions

Communication Ports:

Ethernet: TCP/IP 10/100 Base-T

USB: data backup and restore

Memory Capacity:

2 MB

Annunciators:

Net, zero, save, auto

Display:

Blue alphanumeric LCD display (23 digits, 16 segments)

Display Items:

Tare: four-digits

Unit price: five-digits

Total price: six-digits

Keys/Buttons:

84 one-touch preset keys, 168 presets (assign two items/key)

Printing Speed:

3.9 in (100 mm) per second

Printing:

Direct thermal 2.2 in (56 mm) (448 dot, 8 dot/mm)

Label Size:

Width: 1.5 to 2.5 in (38 to 64 mm)

Length: 1.2 to 6.9 in (30 to 175 mm)

Label Roll:

Inside diameter: 1.6 in (40 mm)

Outside diameter: 3.9 in (100 mm)

Label Backing Paper:

Width: Up to 2.6 in (66 mm)

Temperature :

Certified: 14 °F to 104 °F (-10 °C to 40 °C)

Warranty:

One-year limited

Approvals:

NTEP 07-005

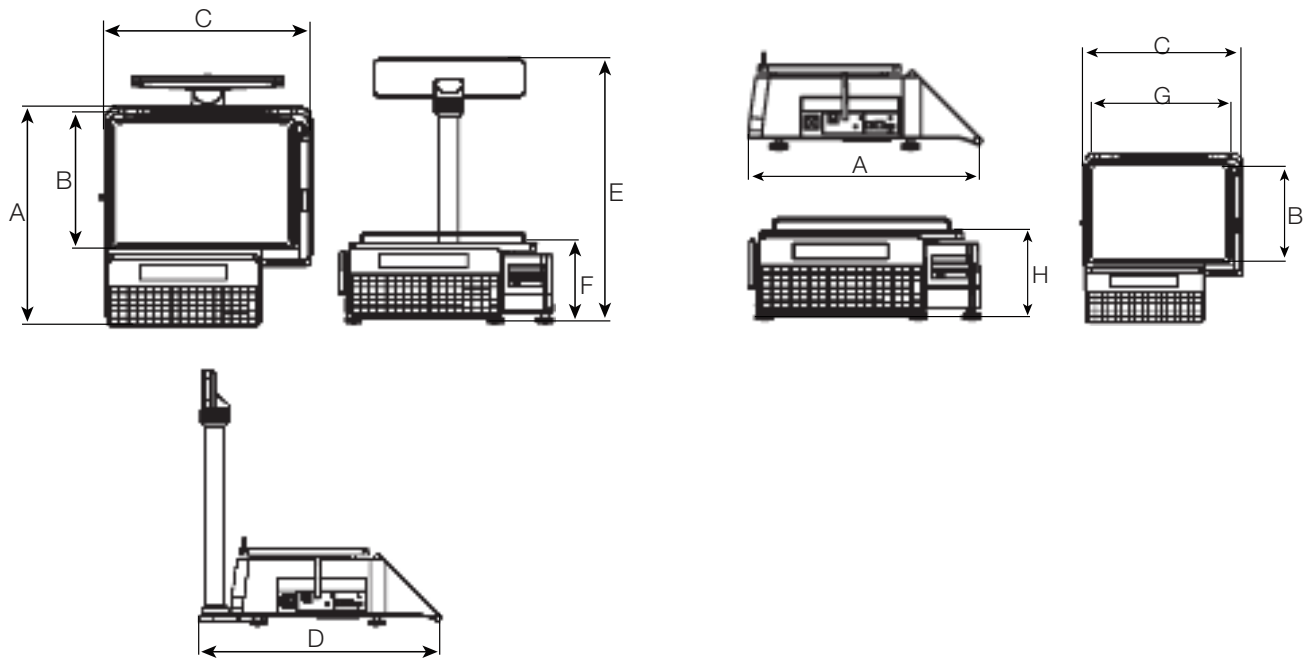
UL

Ishida Astra II

Price Computing Scale with Printer

Dimensions

| |
|--|
| Bench |
| Unit |
| 17.2 × 16.1 × 6.3 in (437 × 410 × 159 mm) |
| Stainless Steel Platter |
| 10.5 × 14.6 in (268 × 370 mm) |
| Pole |
| Unit |
| 17.2 × 16.1 × 6.3 in (437 × 410 × 159 mm) |
| Stainless Steel Platter |
| 10.5 × 14.6 in (268 × 370 mm) |
| Unit with Pole |
| 19.7 × 16.1 × 20.6 in (500 × 410 × 524 mm) |



Ishida Astra II Standard Label Formats

Titles on labels are pre-printed (SELL BY, PACKED ON, \$ LB, NET WT, TOTAL PRICE)

Maximum description text per label:

Formats 1-5..... 1 name line + 2 ingredient lines

Format 6..... 1 name line + 6 ingredient lines

Format 7..... 1 name line + 17 ingredient lines

Format 8..... 1 name line + 6 ingredient lines

Format 1

| SELL BY | PACKED ON | \$/LB. | WEIGHT(LB.) |
|---------|-----------|--------|------------------------|
| | | | |
| | | | TOTAL PRICE(\$) |

Example PN 47732

60 x 44 STD.
Part #47732 800 Labels Per Roll

| SELL BY | PACKED ON | \$/LB. | WEIGHT(LB.) |
|----------|-----------|--------|-------------|
| SEP28.15 | SEP27.15 | 0.00 | 0.71 |

0 200000 200003 1000

TOTAL PRICE(\$)
\$0.00

RICE LAKE/ISHIDA
230 W. Coleman St. Rice Lake, WI (800) 472-6703

Format 5

| PACKED ON | \$/LB. | NET WT. | TOTAL PRICE |
|-----------|--------|---------|--------------------|
| | | | |
| | | | TOTAL PRICE |

SELL BY

Example PN 47762

60 x 37 NON BAR CODE
Part #47762 1000 Labels Per Roll

| PACKED ON | \$/LB. | NET WT. | TOTAL PRICE |
|-----------|--------|---------|-------------|
| SEP27.15 | 0.00 | 0.71 | |

SELL BY
SEP28.15

TOTAL PRICE
\$0.00

RICE LAKE/ISHIDA
230 W. Coleman St. Rice Lake, WI (800) 472-6703

Format 2

| SELL BY | PACKED ON | \$/LB. | NET WT. |
|---------|-----------|--------|--------------------|
| | | | |
| | | | TOTAL PRICE |

Example PN 47733

64 x 47 STD.
Part #47733 800 Labels Per Roll

| SELL BY | PACKED ON | \$/LB. | NET WT. |
|----------|-----------|--------|---------|
| SEP28.15 | SEP27.15 | 0.00 | 0.71 |

0 200000 200003 1000

TOTAL PRICE
\$0.00

RICE LAKE/ISHIDA
230 W. Coleman St. Rice Lake, WI (800) 472-6703

Format 6

| SELL BY | PACKED ON | \$/LB. | NET WT. |
|---------|-----------|--------|--------------------|
| | | | |
| | | | TOTAL PRICE |

Example PN 47735

64 x 59 EXTENDED TEXT
Part #47735 625 Labels Per Roll

| SELL BY | PACKED ON | \$/LB. | NET WT. |
|----------|-----------|--------|---------|
| SEP28.15 | SEP27.15 | 5.99 | 0.14 |

TOTAL PRICE
\$0.84

RICE LAKE/ISHIDA
230 W. Coleman St. Rice Lake, WI (800) 472-6703

Format 3

| SELL BY | PACKED ON | \$/LB. | NET WT. (LB.) |
|---------|-----------|--------|-----------------------|
| | | | |
| | | | TOTAL PRICE \$ |

Example PN 47743

64 x 85 SAFE HANDLING
Part #47743 425 Labels Per Roll

SAFE HANDLING INSTRUCTIONS
THIS PRODUCT WAS PREPARED FROM INSPECTED AND PASSED MEAT AND/OR POULTRY. SOME FOOD PRODUCTS MAY CONTAIN BACTERIA THAT COULD CAUSE ILLNESS IF THE PRODUCT IS MISHANDLED OR COOKED IMPROPERLY. FOR YOUR PROTECTION, FOLLOW THESE SAFE HANDLING INSTRUCTIONS:

- KEEP REFRIGERATED OR FROZEN, THAW IN REFRIGERATOR OR MICROWAVE.
- KEEP RAW MEAT AND POULTRY SEPARATE FROM OTHER FOODS. WASH WORKING SURFACES (INCLUDING CUTTING BOARDS, UTENSILS, AND HANDS) IMMEDIATELY OR DISCARD.
- COOK THOROUGHLY.
- KEEP HOT FOODS HOT. REFRIGERATE LEFTOVERS IMMEDIATELY OR DISCARD.

| SELL BY | PACKED ON | \$/LB. | NET WT. (LB.) |
|----------|-----------|--------|---------------|
| SEP28.15 | SEP27.15 | 0.00 | 0.71 |

0 200000 200003 1000

TOTAL PRICE \$
\$0.00

RICE LAKE/ISHIDA
230 W. Coleman St. Rice Lake, WI (800) 472-6703

Format 7

| SELL BY | PACKED ON | \$/LB. | NET WT. (LB.) |
|---------|-----------|--------|-----------------------|
| | | | |
| | | | TOTAL PRICE \$ |

Example PN 47743

64 x 85 EXTENDED TEXT
Part #47743 425 Labels Per Roll

| SELL BY | PACKED ON | \$/LB. | NET WT. (LB.) |
|----------|-----------|--------|---------------|
| SEP28.23 | SEP27.23 | 0.49 | 0.71 |

0 200000 200353 1000

TOTAL PRICE \$
\$0.35

RICE LAKE/ISHIDA
230 W. Coleman St. Rice Lake, WI (800) 472-6703

Format 4

SAFE HANDLING INSTRUCTIONS
THIS PRODUCT WAS PREPARED FROM INSPECTED AND PASSED MEAT AND/OR POULTRY. SOME FOOD PRODUCTS MAY CONTAIN BACTERIA THAT COULD CAUSE ILLNESS IF THE PRODUCT IS MISHANDLED OR COOKED IMPROPERLY. FOR YOUR PROTECTION, FOLLOW THESE SAFE HANDLING INSTRUCTIONS:

- KEEP REFRIGERATED OR FROZEN, THAW IN REFRIGERATOR OR MICROWAVE.
- KEEP RAW MEAT AND POULTRY SEPARATE FROM OTHER FOODS. WASH WORKING SURFACES (INCLUDING CUTTING BOARDS, UTENSILS, AND HANDS) IMMEDIATELY OR DISCARD.
- COOK THOROUGHLY.
- KEEP HOT FOODS HOT. REFRIGERATE LEFTOVERS IMMEDIATELY OR DISCARD.

| NET WT (LBS) | PRICE/LB (\$) | DATE |
|--------------|---------------|------|
| | | |

TOTAL PRICE

Example PN 47736

64 x 59 SAFE HANDLING
Part #47736 625 Labels Per Roll

SAFE HANDLING INSTRUCTIONS
THIS PRODUCT WAS PREPARED FROM INSPECTED AND PASSED MEAT AND/OR POULTRY. SOME FOOD PRODUCTS MAY CONTAIN BACTERIA THAT COULD CAUSE ILLNESS IF THE PRODUCT IS MISHANDLED OR COOKED IMPROPERLY. FOR YOUR PROTECTION, FOLLOW THESE SAFE HANDLING INSTRUCTIONS:

- KEEP REFRIGERATED OR FROZEN, THAW IN REFRIGERATOR OR MICROWAVE.
- KEEP RAW MEAT AND POULTRY SEPARATE FROM OTHER FOODS. WASH WORKING SURFACES (INCLUDING CUTTING BOARDS, UTENSILS, AND HANDS) IMMEDIATELY OR DISCARD.
- COOK THOROUGHLY.
- KEEP HOT FOODS HOT. REFRIGERATE LEFTOVERS IMMEDIATELY OR DISCARD.

| NET WT (LBS) | PRICE/LB (\$) | DATE |
|--------------|---------------|----------------------|
| 0.71 | 0.00 | SEP27.15 SEP28.15 |

0 200000 200003 1000

TOTAL PRICE
\$0.00

RICE LAKE/ISHIDA
230 W. Coleman St. Rice Lake, WI (800) 472-6703

Format 8

SAFE HANDLING INSTRUCTIONS
THIS PRODUCT WAS PREPARED FROM INSPECTED AND PASSED MEAT AND/OR POULTRY. SOME FOOD PRODUCTS MAY CONTAIN BACTERIA THAT COULD CAUSE ILLNESS IF THE PRODUCT IS MISHANDLED OR COOKED IMPROPERLY. FOR YOUR PROTECTION, FOLLOW THESE SAFE HANDLING INSTRUCTIONS:

- KEEP REFRIGERATED OR FROZEN, THAW IN REFRIGERATOR OR MICROWAVE.
- KEEP RAW MEAT AND POULTRY SEPARATE FROM OTHER FOODS. WASH WORKING SURFACES (INCLUDING CUTTING BOARDS, UTENSILS, AND HANDS) IMMEDIATELY OR DISCARD.
- COOK THOROUGHLY.
- KEEP HOT FOODS HOT. REFRIGERATE LEFTOVERS IMMEDIATELY OR DISCARD.

| SELL BY | PACKED ON | \$/LB. | NET WT. |
|---------|-----------|--------|--------------------|
| | | | |
| | | | TOTAL PRICE |

Example PN 47745

64 x 85 REDUCED S.H.
Part #47745 425 Labels Per Roll

SAFE HANDLING INSTRUCTIONS
THIS PRODUCT WAS PREPARED FROM INSPECTED AND PASSED MEAT AND/OR POULTRY. SOME FOOD PRODUCTS MAY CONTAIN BACTERIA THAT COULD CAUSE ILLNESS IF THE PRODUCT IS MISHANDLED OR COOKED IMPROPERLY. FOR YOUR PROTECTION, FOLLOW THESE SAFE HANDLING INSTRUCTIONS:

- KEEP REFRIGERATED OR FROZEN, THAW IN REFRIGERATOR OR MICROWAVE.
- KEEP RAW MEAT AND POULTRY SEPARATE FROM OTHER FOODS. WASH WORKING SURFACES (INCLUDING CUTTING BOARDS, UTENSILS, AND HANDS) IMMEDIATELY OR DISCARD.
- COOK THOROUGHLY.
- KEEP HOT FOODS HOT. REFRIGERATE LEFTOVERS IMMEDIATELY OR DISCARD.

| SELL BY | PACKED ON | \$/LB. | NET WT. |
|----------|-----------|--------|---------|
| SEP28.15 | SEP27.15 | 3.30 | 0.72 |

0 200000 202383 1000

TOTAL PRICE
\$2.38

RICE LAKE/ISHIDA
230 W. Coleman St. Rice Lake, WI (800) 472-6703

RETAIL SCALES

BenchPro™ BP-R

Multi-Purpose Digital Bench Scale



BP-R 10 x 10 in with optional tabletop display pole PN 183103 and customer display PN 180901

Approvals



Measurement
Canada
Approved



Part Number/Price

| Part # | Capacity | Dimensions | Est. Weight | Price |
|--------|---|------------|-------------|----------|
| 182374 | 15 x 0.005 lb (6 x 0.002 kg) / 15 lb x 0.1 oz | 6 x 10 in | 12 lb | \$730.00 |
| 182375 | 30 x 0.01 lb (15 x 0.005 kg) / 30 lb x 0.2 oz | 6 x 10 in | 12 lb | \$730.00 |
| 182376 | 15 x 0.005 lb (6 x 0.002 kg) / 15 lb x 0.1 oz | 10 x 10 in | 15 lb | \$730.00 |
| 182377 | 30 x 0.01 lb (15 x 0.005 kg) / 30 lb x 0.2 oz | 10 x 10 in | 15 lb | \$730.00 |
| 179733 | 15 x 0.005 lb (6 x 0.002 kg) / 15 lb x 0.1 oz | 12 x 14 in | 17 lb | \$572.50 |
| 179732 | 30 x 0.01 lb (15 x 0.005 kg) / 30 lb x 0.2 oz | 12 x 14 in | 17 lb | \$572.50 |

Options/Accessories

| Part # | Description | Est. Weight | Price |
|--------|--|-------------|----------|
| 174783 | Column bracket and post (12 x 14 in scale only) | 2 lb | \$50.00 |
| 180901 | Second customer display, BenchPro BP-R no keyboard with 68 in cable | 4 lb | \$72.00 |
| 174784 | Second remote operator display, BenchPro BP-R with 68 in cable | 4 lb | \$88.00 |
| 183103 | 16 in (H) tabletop display post for use with second display, customer or remote operator | 4 lb | \$215.00 |
| 178501 | USB-RS-232 serial adapter | 1 lb | \$60.00 |
| 196179 | Wedgelink cable for direct RS-232 output, 9600-N-8-1 | 1 lb | \$247.00 |



Operator display



Customer display
(optional)

Standard Features

- Large LCD display protected by heavy-duty tempered glass
- Powered USB HID point of sale interface – plug and play USB interface provides power and communications
- Interface for use with SMA, NCI and ECR
- Battery operation for portability (BP-R 12 x 14 scale only)
- Gravitational compensation allows for adjustment of factory calibration to meet your local gravity setting, non-approved

Specifications

Power:

Line Voltage: 100 to 240 VAC, +10% -15%
(US 3-prong plug, w/ground)
Batteries: (12 x 14 units only)
four AA alkaline batteries (not included)

Power Consumption:

Frequency: 50/60 Hz ± 3 Hz
DC: 12 V at 0.1 amps minimum

Battery Life:

250 hrs sleep mode or 80 hrs continuous use,
backlight on 80 hrs sleep mode or 50 hrs continuous use

Dynamic Response:

0 to 1,000 d, 1.0 sec, maximum average
1,000 d +, 1.5 sec, maximum average

Communication Ports:

RS-232 DB 9-pin male to female, straight pass through and null modem (10 ft cable included)
USB A/B type (46 in cable included)
USB HID, 2.0 full speed, vendor ID 1C19, product ID 0002

Annunciators:

Zero, gross/brutto, net, W1/W2/W3, lb, oz, kg

Display:

Six-digit backlight LCD display with 1 in (29 mm) characters protected by heavy-duty tempered glass

Keys/Buttons:

Zero, units, tare, F1

Temperature:

Certified: 14 °F to 104 °F (-10 °C to 40 °C)

Warranty:

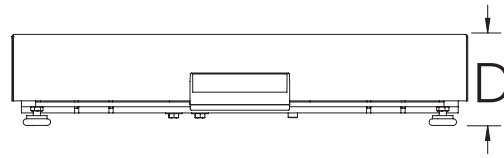
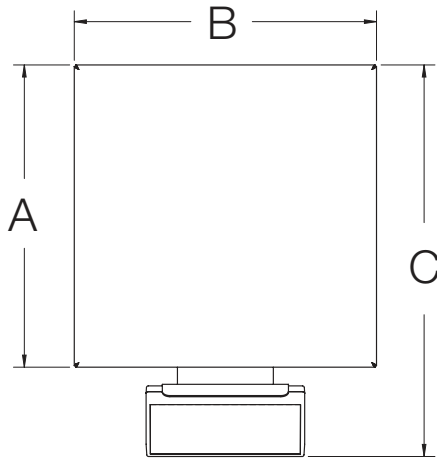
One-year limited

Approvals:

NTEP 07-002
Measurement Canada AM-6050
CE

Dimensions

| | A | B | C | D |
|------------|---------|---------|---------|--------|
| 6 × 10 in | 6.0 in | 10.0 in | 9.0 in | 2.4 in |
| 10 × 10 in | 10.0 in | 10.0 in | 13.0 in | 2.5 in |
| 12 × 14 in | 12.0 in | 14.0 in | 14.5 in | 2.7 in |



BP-R 12 × 14 scale



BP-R 06 × 10 scale



BP-R 12 × 14 scale with optional
column bracket & post

QuikSharp™

Sharpener



Standard Features

- Tungsten carbide sharpener
- Ceramic honing rods
- Reversible blades

Specifications

Blades:

Tungsten carbide

Dimensions:

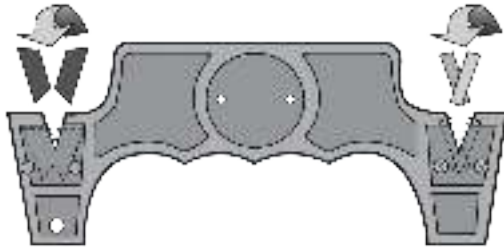
(L × W × H)
6 × 0.75 × 2.5 in
(152 × 19 × 64 mm)

Honing Rods:

Ceramic

Part Number/Price

| Part # | Description | Weight | Price |
|--------|--|---------|---------|
| 78720 | Intruder QuikSharp™ complete knife sharpening system | 2.25 oz | \$13.00 |



HOW TO REVERSE CARBIDE BLADES AND CERAMIC RODS

1. Remove screws to open sharpener.
2. Reverse blades or rods as shown.
3. Replace screws and reassemble sharpener.

Reversible blades have a total expected life of four to five years with normal use.

Weight Set

ASTM Class 5 Stainless Steel Satin 30 lb kit



Standard Features

- ASTM Class 5
- Protective case
- Stainless steel

Weight Sets

| Part # | Description | Price | Optional Certificate |
|--------|--|------------|----------------------|
| 12638 | 30 lb weight kit (10 lb - 3 pcs) satin | \$975.00 | Accredited |
| 12640 | 30 lb weight kit (5 lb - 6 pcs) satin | \$1,130.00 | \$235.00 |
| | | | \$470.00 |

RETAIL SCALES

Scanners

TABLE OF CONTENTS

Datalogic QuickScan® QD2590 948

Linear Imager Handheld Scanner

**Datalogic PowerScan®
PD9130 Series..... 949**

Linear Imager Handheld Scanner

**Datalogic PowerScan® RF
PM9100 Series 950**

Linear Imager Handheld Scanner

Zebra® DS457..... 951

Omnidirectional Laser Scanner

*Product names, logos, brands and other trademarks featured
or referred to within this publication are the property of their respective trademark holders.*

Datalogic QuickScan® QD2590

Linear Imager Handheld Scanner

SCANNERS



Standard Features

- Lightweight and balanced design
- Extra-wide scan angle and extra-long scan line
- Extended reading range and depth of field (DOF)
- Sharp and highly visible scan line
- Depth of field reading for general purpose scanning applications
- Datalogic's patented 'Green Spot' technology for good-read feedback

Specifications

Light Source:

Red LED 617 nm

Printing Resolution:

Contract and ambient light dependent

Decode Capabilities:

UPC A, E/EAN 8, 13/JAN 8, 13 (including add-ons P2/P5, Code128), Code 128, Code 93, Pharmacode 39, Code 39, Codabar, Interleaved 2 of 5, Industrial 2 of 5, Matrix 2 of 5, RSS 14, RSS 14 Stacked, RSS Expanded, RSS Limited, MSI/Plessey, UK/Plessey, Telepen, Code 16K, Code 11, PDF417 with audio assist

Dimensions:

(L × W × H)
6.7 × 2.8 × 2.6 in
(17.0 × 7.1 × 6.6 cm)

Weight:

121.9 g (4.3 oz)

Read Rate:

270 reads/sec

Communications:

RS-232 DB9 female connector
USB
Keyboard wedge
Wand multi-interface

Temperature:

Operating:
32 °F to 122 °F (0 °C to 50 °C)

Humidity:

5% to 95% non-condensing

Shock Tolerance:

Withstands repeated drops on concrete from 5 ft (1.5 m)

IP Rating:

IP42

Warranty:

Five-year limited

Part Number/Price

| Part # | Description | Weight | Price |
|--------|---|--------|----------|
| 225022 | QuickScan, QD2590 KBW, USB Capable, Wand Emulation, RS-232, w/6 foot RS-232 cable and stand black | 4 lb | \$375.00 |
| 225020 | Quickscan QD2590 with USB cable | 4 lb | \$345.00 |
| 225023 | QuickScan QD2590 With RS232 8-Pin Din cable for Digi counting scales | 4 lb | \$490.00 |
| 225024 | QuickScan QD2590 Counterpart scanner & 9Pin RS232 Cable w/quick connect | 4 lb | \$430.00 |

Options/Accessories

| Part # | Description | Price |
|--------|---|----------|
| 192322 | Power supply, desktop 5 V, 12 W | \$48.00 |
| 112447 | RS-232 6 ft cable coiled nine-pin female | \$58.00 |
| 85022 | PS/2 to AT adaptor five-pin DIN male six-pin DIN female 6 in tail | \$14.00 |
| 114797 | RS-232 cable with eight-pin DIN cable (for use with Digi counting scales) | \$110.00 |
| 125744 | RS-232 cable nine-pin powered cable to blunt end with plug in (for use with Counterpart®) | \$58.00 |

| Density | Range |
|---------|--------------------------------|
| 4 mils | 0.8 to 4.3 in (2.0 to 11 cm) |
| 5 mils | 0.6 to 6.0 in (1.5 to 15.0 cm) |
| 10 mils | 0.3 to 15 in (0.8 to 38.0 cm) |
| 20 mils | 1 to 26 in (2.5 to 65 cm) |

Datalogic PowerScan® PD9130 Series

Linear Imager Handheld Scanner



SCANNERS

Standard Features

- Durable—tested to 50 drops of 2 m/6.6 ft
- 25 kV electrostatic protection
- Datalogic's patented 'Green Spot' technology for good-read feedback
- Aladdin® software for configuration
- Linear Imager

Specifications

Light Source:

Aiming 630 to 680 nm VLD

Decode Capabilities:

GS1 DataBar™ linear codes, UPC/EAN, UPC/EAN P2/P5 add ons, UPC/EAN Coupons, ISBN, Code 128, EAN 128, Code 39, Code 39 Full ASCII, Code 39 CIP, Code 32, Codabar, Interleaved 2 of 5, IATA, Industrial 2 of 5, Standard 2 of 5, Code 11, MSI, Plessey, Code 93, Follet 2/5, Code 4, Code 5, Datalogic 2 of 5, Codablock F

Dimensions:

(L × W × H)
8.0 × 3.0 × 4.5 in
(20.3 × 7.6 × 11.4 cm)

Display:

LED

Weight:

280.0 g (9.9 oz)

Communications:

Keyboard wedge, USB or RS-232

Temperature:

Operating:
-22 °F to 122 °F (-30 °C to 50 °C)
Storage:
-22 °F to 122 °F (-30 °C to 50 °C)

Humidity:

5% to 95% non-condensing

IP Rating:

IP65

Drop Resistance:

6.6 ft (2 m)

Warranty:

Three-year limited

Part Number/Price

| Part # | Description | Weight | Price |
|--------|---|--------|----------|
| 195144 | Scanner, PD9130 YB multi-interface, requires cable - (ordered separately) | 4 lb | \$588.00 |
| 195145 | Scanner kit, PD9130 YBK2 scanner and RS-232 cable - (included) | 4 lb | \$725.00 |

Options/Accessories

| Part # | Description | Price |
|---------|--|---------|
| 195146 | Kit, universal mount, Datalogic STD-P090 | \$42.00 |
| 108217 | RS-232 cable, CAB-434, 8 ft, nine-pin female coiled, PD9100 series | \$82.00 |
| 195147 | USB cable, CAB-524 for use with PD9130 only | \$82.00 |
| 108219 | Keyboard wedge cable, CAB-437, PD9100 series | \$82.00 |
| 192322 | Power supply, desktop 5 volt, 12 W, PD9100 series | \$48.00 |
| 41276 | DB9-M Pin blunt end cable | \$77.00 |
| Consult | RS-232 coiled 12 ft, CAB 467 | Consult |
| Consult | RS-232 coiled 15 ft, CAB 486 | Consult |
| Consult | USB, 8-0734-08 | Consult |

Datalogic PowerScan® RF PM9100 Series

Linear Imager Handheld Scanner

SCANNERS



Standard Features

- Wireless operation
- Operates up to 10 hours on a single charge
- Datalogic's patented 'Green Spot' technology for good-read feedback
- Polycarbonate molded with rubber
- Multi-point operation allows for multiple scanner communications to a single base station
- Linear imager

Specifications

Light Source:

VLD between 630 to 380 nm

Decode Capabilities:

Codabar, Codablock F, Code 11, Code 128, Code 32, Code 39, Code 39 CIP, Code 39 Full ASCII, Code 4, Code 5, Code 93, Datalogic 2 of 5, GS1 DataBar, IATA, Industrial 2 of 5, Interleaved 2 of 5, ISBN, MSI, Plessey, Standard 2 of 5, UPC/EAN supplementals

Dimensions:

Scanner: 8.4 × 4.5 × 2.8 in
(212 × 109 × 71 mm)
Base station: 10.5 × 3.5 × 2.5 in
(266.7 × 88.9 × 63.5 mm)
(width is 4.2 in/106.68 mm including mounting knobs)

Display:

LCD: 6 lines × 16 characters

Base Station:

US: 110 V ± 10%, 60 Hz

Weight:

Scanner: 14.2 oz (405 g)
Base station: 16 oz (454 g)

Communications:

Host: RS-232 with DB9 S, P/S and 12 ft cable.
KBW (keyboard wedge) with P/S and 6 M Din, coiled cable 12 ft
USB, 12 ft coiled cable

Frequency Range:

(varies by country)
915 mHz

Temperature Range:

Operating:
-4 °F to 122 °F (-20 °C to 50 °C)
Storage:
-40 °F to 158 °F (-40 °C to 70 °C)

Humidity:

0 to 90% non-condensing

IP Rating:

Scanner: IP65
Base station: IP64

Drop Resistance:

2 m

Battery Type:

Li-Ion 2150 mAh

Electrical:

Complies to C-CSA-US
(60950 Canada and USA)

Warranty:

Three-year limited

Part Number/Price

| Part # | Description | Weight | Price |
|--------|--|--------|------------|
| 196334 | PowerScan RF scanner with battery, SR, 910 MHz for RS-232 keyboard wedge wand emulation interfaces (requires cable and base station) | 4 lb | \$895.00 |
| 182779 | PowerScan RF base station, 910 MHz for RS-232, keyboard wedge/wand | 5 lb | \$530.00 |
| 190963 | PowerScan PM9100 US, AC power adapter | 3 lb | \$46.00 |
| 225182 | Scanner kit, PM9100 for Rice Lake indicators | - | \$1,600.00 |

Options/Accessories

| Part # | Description | Price |
|--------|--|---------|
| 108219 | Cable, wedge, Y, six-pin mini DIN, five-pin D/N, universal adapter cable | \$82.00 |
| 108217 | Cable, RS-232, nine-pin D-sub, 8 ft | \$82.00 |



Standard Features

- High-speed omnidirectional scan pattern
- Rugged, durable housing
- Reads 1D and 2D symbols
- Supports 123Scan2 configuration tool
- Enables rapid and easy customized setup through a free, wizard-based PC software tool
- Scans any barcode on paper, mobile phones and computer displays

Specifications

Decode Capability:

1D - All major 1D bar codes
 2D - PDF417, DataMatrix, QR Code, Aztec, Composite Codes and MaxiCode
 Postal - US Postnet, US Planet, UK Postal, Australian Postal, Japan Postal

Dimensions:

(L × W × H)
 2.44 × 2.30 × 1.15 in
 (6.20 × 5.84 × 2.92 cm)

Weight:

3.9 oz (111 g)

Communications:

Interfaces supported: 9-pin male D-sub USB (full speed) and TTL level RS-232 with RTS and CTS

Performance Characteristics:

Sensor resolution: 752 (H) × 480 (V) gray scale
 Imager field of view DS457 SR: 39.6° horizontal, 25.7° vertical
 Aiming element: 655 ± 10 nm (VLD)
 Illumination element: 625 ± 5 nm (LED)

Power Maximum:

5 VDC ± 10% at 450 mA

Temperature Range:

Operating:
 -4 °F to 122 °F (-20 °C to 50 °C)
 Storage:
 -40 °F to 158 °F (-40 °C to 70 °C)

Humidity:

95% RH, non-condensing at 122 °F (50 °C)

IP Rating:

IP54

Drop Resistance:

Withstands multiple 30 in (76 cm) drops to concrete

Image File Formats:

BMP, TIFF, JPG

Regulatory:

Electrical Safety ETL, VDE, CETL, EN60950, Ctick, VCCI
 Laser Classification Intended for use in CDRH Class II/IEC 825 Class I devices
 EMI/RFI FCC Part 15 Class B, ICES-003 Class B, CISPR22 Class B

Warranty:

Three-year limited
 (against defects in workmanship and materials)

Part Number/Price

| Part # | Description | Weight | Price |
|--------|--|--------------|----------|
| 154077 | Motorola DS457-SR (scanner 5 VDC ±10% at 450 mA requires power source) | 4 oz (111 g) | \$630.00 |

Options/Accessories

| Part # | Description | Price |
|--------|---|---------|
| 97479 | Cable assembly, DB9F to blunt end, can supply power from scale indicator DI/O | \$55.00 |

Software Systems

Table of Contents

Interchange 954
9201®/1280 Database Management Software

Myrias® 955
Integrated Software Solution

OnTrak® Enterprise 957
Truck Scale Data Management Software

OnTrak® 958
Truck Scale Data Management Software

RL Web Display 959
Remote Scale Monitoring Software

VIRTUj2® 960
PC-Based HMI for iQUBE®

VIRTUlink™ 961
Scale Monitoring and Diagnostics System

WeighVault® 963
Web Application with Middleware Services

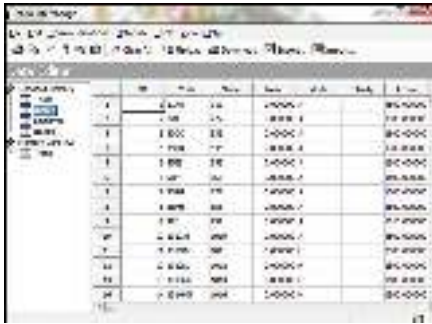
WinWedge® TAL Software 964
Wedge Software

SOFTWARE SYSTEMS

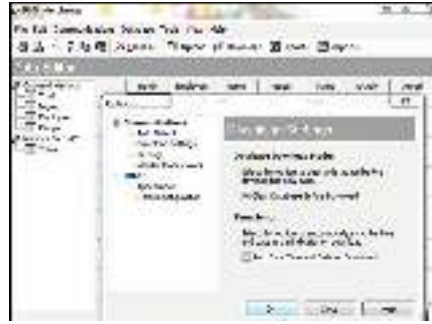
Product names, logos, brands and other trademarks featured or referred to within this publication are the property of their respective trademark holders.

Interchange

920i®/1280 Database Management Software



Database Editor



Communication Settings for Download



Export or Import Data

SOFTWARE SYSTEMS

Interchange database management software is used to set up a custom job file for each database you need to export. Manually or automatically run the job file by setting a predetermined time using Windows® Task Scheduler.

Part Number/Price

| Part # | Description | Price |
|--------|-------------------------------|----------|
| 72809 | Interchange database software | \$325.00 |

Standard Features

- Edit and manage databases
- Set up using an export job wizard
- Connect using RS-232, RS-485 or Ethernet TCP/IP
- Program will connect to the indicator and upload current database structure
- Select the desired database
- Export database table file types: delimited text, XML, XLS, HTML
- Compatible with 920i® and 1280 indicators

Specifications

Minimum System Requirements:
Windows® 7 or newer



Standard Features

- Modular process management creates the best system for each facility
- Full material traceability
- Extensive real-time reports
- Monitor cost, product quality and regulatory compliance
- Works with many types of hardware and peripheral equipment including legacy hardware
- Integrate with third-party systems
- SQL database or proprietary file-based database

SOFTWARE SYSTEMS



Standard modules are listed below.
Many additional modules are available.

BATCH RECIPE FORMULATION

Accurate ingredient weighing in batches, blends and mixes. Offers benefits of consistent quality, reduced waste, better cost control and full traceability of weighing and measuring ingredients for set recipes.

- Displays recipe method, HACCP messages and manufacturing information
- Automatic calculation of ingredient weights for non-standard batch sizes

Part Number/Price

| Part # | Description | Starting Package Price |
|---------|--------------------------|------------------------|
| Consult | Batch Recipe Formulation | \$8,975.00 |

DYNAMIC CHECKWEIGHING

Records all packs from checkweigher and offers real-time charting. Immediate warning of low weights and expensive giveaway. Comprehensive records help analyze pack weights and diagnose filling faults.

- Allows product database to be centrally managed at one PC and send settings to each checkweigher
- Automatically changes products on checkweigher from central job control
- Calculates fill adjustments to maintain control target (can be displayed to operator or connected to suitable equipment for automatic feedback control)
- Advanced statistical and AI control options available for complex products
- Option to record integrated metal detector actions

Part Number/Price

| Part # | Description | Starting Package Price |
|---------|-----------------------|------------------------|
| Consult | Dynamic Checkweighing | \$7,575.00 |

STATIC CHECKWEIGHING

Adds efficiency to manufacturing, sorting and food-processing applications. Each pack is continuously monitored and checked to be within a preset range or target.

- Control filling with checkweighing lights to notify operators of weight status
- Optimize limits to control weight and operator speed
- Control multiple scales from central database
- Support normal and takeaway fill control
- Automatically record each weight by operator, product and other key data
- Works with Ethernet, Wi-Fi and serial interfaces

Part Number/Price

| Part # | Description | Starting Package Price |
|---------|----------------------|------------------------|
| Consult | Static Checkweighing | \$5,605.00 |

FORKLIFT

Streamline material handling operations by integrating forklift scales to move and weigh pallets in one step. Straightforward prompts guide operators through each pallet transaction.

- Operator and product traceability
- Forklift performance statistics
- Real-time data sent to FTP
- Reports available in CSV or TXT files for data transfer

Part Number/Price

| Part # | Description | Starting Package Price |
|---------|-------------|------------------------|
| Consult | Forklift | \$6,975.00 |

OFFLINE SAMPLING

Offers close control of pack fills to meet legal requirements and limit profit loss. Powerful diagnostics help characterize filling performance and minimize fill variability issues. Provides legally accepted records as proof of due diligence.

- Operator warning displayed for individual and collective pack fill infringements, with calculated fill adjustments to maintain control target
- Includes library of statistical control strategies
- Records secure records for average weight, minimum weight and other legislations, as well as for SPC and quality control
- Density conversion for liquid fills
- Quarantine module available to record handling of defects

Part Number/Price

| Part # | Description | Starting Package Price |
|---------|------------------|------------------------|
| Consult | Offline Sampling | \$8,575.00 |

PALLET WEIGHING

Shipping and warehouse inventory systems greatly benefit from pallet weighing. Integrate data in real-time for live views of product quantities and shipping status.

- Accurate weighing and recording of pallets
- Integrates floor and fork scales into a single database
- Data analysis identifies shortages, overfills and process yields
- Labels pallets by makeup, customer, storage and other customer criteria.

Part Number/Price

| Part # | Description | Starting Package Price |
|---------|-----------------|------------------------|
| Consult | Pallet Weighing | \$6,975.00 |

WASTE

Optimize profits by identifying, measuring and reducing waste throughout your operation. Reductions in waste go straight to bottom-line profits.

- Monitors waste by type, product and department
- Records waste transactions for regulations
- Full traceability of all transactions
- Multiple sites can be networked back to regional and head offices for orders, accounts and reporting.
- Operator prompts guide the user quickly and smoothly through each transaction

Part Number/Price

| Part # | Description | Starting Package Price |
|---------|-------------|------------------------|
| Consult | Waste | \$6,975.00 |

TRACEABILITY (ADD-ON MODULE)

Minimizes business risk in the event of a quality failure by allowing quick response to identify affected items. Helps locate process issues related to customer complaints.

- Provides full traceability from intake to dispatch through all stages of production, supply and distribution
- Links traceability data through comprehensive, easy-to-use reports
- Every transaction includes time, date, lot numbers and operator identity for full accountability
- Instant forward and backward traceability of all materials and batches

Part Number/Price

| Part # | Description | Starting Package Price |
|---------|--------------|------------------------|
| Consult | Traceability | \$1,995.00 |

OnTrak®

ENTERPRISE

TRUCK SCALE DATA MANAGEMENT



Weigh Screen



Customer Screen Main

Standard Features

- Comprehensive transaction management
- Unlimited charge and discount amounts per product
- Calculates tax
- Ship or Receive mode for each transaction
- Assign one of four security levels to each user
- Exclusive databases for customer, hauler, truck, product, job, price/discount, tax and transaction
- Filter reports to view relevant information
- Customize printed tickets
- Back up and restore via SQL Server Management Studio available through Microsoft
- Software supports unlimited number of scales, number of scales supported is dependent on user's hardware
- Website for remote access, systems integration and data monitoring (SSL certificate required for publishing website to internet)
- A supported web browser (Google® Chrome®, Microsoft® Edge®, Mozilla® Firefox® or Apple® Safari®)

Optional Features

- 1280 kiosk interface
- REST API
- Image capturing*
- License plate recognition*

*User must Purchase SQL Server Standard when using cameras for image capturing or license plate recognition.

Specifications

Systems Requirements:

Windows® 10 or newer (x64 systems)

Databases:

10 GB max database size when using included Microsoft SQL Server Express

*Unlimited database size when using a purchased edition of Microsoft SQL Server (required when using image capturing or license plate recognition)

Communications:

Supports all Rice Lake indicator interfaces and 1280 based Automated Ticketing Kiosks
Optional drivers available for non-Rice Lake weight indicators (Ethernet TCP/IP required)

Transaction Ticket:

User defined ticket formatting

Export Data:

File export of completed transactions via: XML, JSON, CSV or TXT

Software Support:

Database configuration, field installation and training available
Phone support packages available
Contact Rice Lake for further options

Approvals:

NTEP 05-107

SOFTWARE SYSTEMS

Approvals



Part Numbers/Price

| Part # | Description | Price |
|--|--|------------|
| 218502 | OnTrak Enterprise base software | \$3,495.00 |
| Modules | | |
| 218503 | License, Kiosk Module OnTrak Enterprise | \$795.00 |
| 218504 | License, API Module OnTrak Enterprise | \$695.00 |
| 218505 | License, Image Capture Module OnTrak Enterprise | \$695.00 |
| 218506 | License, LPR Module OnTrak Enterprise, License Plate Recognition | \$595.00 |
| Annual Maintenance Agreements (AMA) | | |
| 218507 | OnTrak Enterprise AMA for Base Software | \$699.00 |
| 218508 | OnTrak Enterprise AMA for Kiosk Module | \$159.00 |
| 218509 | OnTrak Enterprise AMA for API Module | \$139.00 |
| 218510 | OnTrak Enterprise AMA for Image Capture Module | \$119.00 |
| 218511 | OnTrak Enterprise AMA for LPR Module | \$119.00 |

Note: Annual Maintenance Agreements (AMA) are required. Billable after year two.

Options/Accessories

| Part # | Description | Price |
|---------|-----------------------------------|---------------|
| Consult | Non-Rice Lake indicator interface | \$295.00 |
| Consult | Custom reports | \$245.00/hour |
| 104789 | Phone support, one hour | \$145.00 |

OnTrak®

TRUCK SCALE DATA MANAGEMENT



Weigh Scale



Customer Account Information

SOFTWARE SYSTEMS

Approvals



Part Numbers/Price

| Part # | Description | Price |
|--------|------------------------|------------|
| 104787 | OnTrak activation code | \$1,495.00 |
| 101062 | OnTrak CD-ROM | \$84.00 |

OnTrak trial at www.ricelake.com/ontrak

Options/Accessories

| Part # | Description | Price |
|-------------|-----------------------------------|---|
| Consult | Non-Rice Lake indicator interface | \$245.00 |
| Consult | Custom reports | \$243.00/hour |
| Consult | Database configuration | \$243.00/hour |
| FLD-INSTALL | Field installation | \$1,395.00/ weekday plus expenses |
| 104789 | Phone support, one hour | \$145.00 |
| 101003 | Additional OnTrak manual | \$65.00 |

Standard Features

- Supports systems using Windows® 10 and newer
- Microsoft SQL Server Express client/server database (free edition)
- Comprehensive report filters
- User and administrator roles
- Back up and restore via SQL Server Management Studio freely available through Microsoft
- Unlimited charge/discount per product
- Ship or Receive mode for each transaction
- Exclusive database for: customer, hauler, truck, product, job, price/discount, tax, transaction
- Ethernet TCP/IP or RS-232 connectivity
- Supports VIRTUi/VIRTUi2® or Rice Lake weight indicators
- CSV transaction file export
- Supports one or two scales

Optional Features

- Image capture with Ethernet camera TCP/IP (requires SQL Server Standard or better through Microsoft)
- Interface to non-Rice Lake weight indicators
- Custom reports
- Database configuration
- Field installation and training
- Factory phone support

Specifications

System Requirements:

Windows® 10 and newer (x64 systems)

Databases:

10 GB max database size when using included Microsoft SQL Server Express
 Unlimited database size when using a purchased edition (contact Microsoft for details on purchasing a licensed edition of SQL Server)

Communications:

Support for multiple printers
 Supports all Rice Lake indicator interfaces
 Supports VIRTUi/VIRTUi2 interface
 920i® based Automated Ticketing Kiosks
 Optional drivers available for non-Rice Lake weight indicators

Transaction Ticket:

User defined ticket formatting

Reports:

Comprehensive report filters
 Optional custom reports

Export Data:

File transfer via XML transaction; exported reports can be saved as PDF/XLS; configurable transaction data export in CSV file format

Transaction Calculations:

Unlimited product prices and discounts
 Tax calculations (does not integrate directly to financial software)

Software Support:

Database configuration, field installation and training available
 Phone support packages available
 Contact Rice Lake for further options

Approvals:

NTEP 05-107

RL Web Display

Remote Scale Monitoring Software



Similar to viewing a scale on a remote display, RL Web Display is a software application that replicates the weight display for one or more indicators.

Using a web browser, RL Web Display allows basic access to the scale including ZERO key and Stop/Go commands when connected to a remote display.

Multiple users can remotely view configured scales with a licensed installation of RL Web Display software.

Fully functional for five minutes in demo mode.

Part Number/Price

| Part # | Description | Price |
|--------|--|----------|
| 219392 | Software, RL Web Display remote display software | \$695.00 |

System Requirements

- Windows 10® build 1607 or newer (64 bit only) or equivalent Windows® Server OS
- 2.0 GHz processor or faster
- 250 MB drive space needed for install
- 8 GB ram or greater
- Ethernet TCP/IP connection
- A supported web browser (Google® Chrome®, Microsoft® Edge®, Mozilla® Firefox® or Apple® Safari®)

NOTE: Indicators and remote displays must be connected via Ethernet TCP/IP.

Compatible Instrumentation

- 1280 Enterprise™ Series
- 920i® Series
- 880/880 Plus Performance™ Series
- 820i™ Series
- 720i™ Series
- VIRTUj2® PC-based HMI for iQUBE2®
- 682 Synergy Series
- 680 Synergy Series
- SCT-2200 Advanced Series
- 480 Legend™ Series
- 420 Plus
- IQ Plus® 355
- IQ Plus® 710
- Avery Weigh-Tronix® E1105
- Avery Weigh-Tronix® W1127
- Mettler Toledo® 8530
- Cardinal® 738
- LaserLight2 and LaserLight3 in legacy mode

NOTE: Custom drivers available on request

VIRTUi2®

PC-Based HMI for iQUBE2®

SOFTWARE SYSTEMS



VIRTUi2

VIRTUi2 is a Windows®-based desktop application that works with iQUBE2 to replicate simple indicator functionality ideal for system integrators and OEMs wanting to provide a PC-based solution. Load cells are individually monitored and calibrated, making setup easy.

Approvals



Part Number/Price

| Part # | Description | Price |
|--------|---|----------|
| 108436 | Activation part number - requires machine ID and customer's email address | \$550.00 |

Standard Features

- Virtual front panel consists of display and five-button keypad
- Web browser-based iQUBE2 cell status
- Provides local and remote reporting of diagnostics and error conditions
- Up to four scales and one total scale
- Primary/secondary units configuration (lb, kg, short tons, metric tons, none)
- RS-232 communications at up to 460 kbps
- Electronic Data Processing (EDP) port over RS-232 and TCP/IP
- Printer port for output-only, simplex communications
- Two print formats
- Provides iQUBE2 configuration screen and iQUBE2 digital I/O configuration
- Supports iQUBE2 diagnostics with configurable error viewing
- Peak weight history
- Recalibration notification
- Concentrated load capacity (CLC)
- Section capacity

Specifications

Minimum System Requirements:

Windows® 8.1 or newer

Serial Port:

USB to serial converter, or Ethernet TCP/IP for connection to iQUBE2

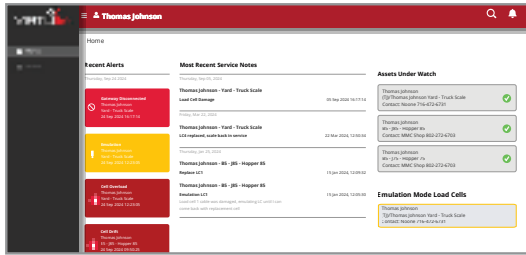
Additional serial ports are required for connections to printers/remote displays

Annunciators:

Units (lb, kg, short tons (tn), metric tons (t), NONE) gross/net, motion, center of zero

Approvals:

NTEP CC 04-058 Class III/IIIL, 10,000 d



Home Screen for Service Provider



Rice Lake's VIRTUlink IoT System connects analog platform scales (up to four iQUBE systems) to the cloud, enabling data from networked devices to be utilized for a wide variety of business and operational decisions. By combining the iQUBE digital junction box with the latest cloud technology, VIRTUlink provides access to diagnostics and can automate service alerts.

VIRTUlink-enabled systems can automatically report scale status and individual load cell information. iQUBE's unique load cell emulation feature allows it to compensate for a failing load cell until a repair can be made. With an unmatched reaction time, accuracy is brought to new levels.

Standard Features

Data

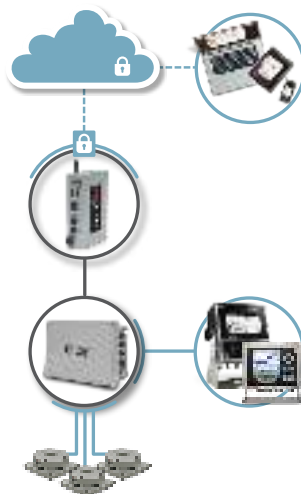
- Sends raw and analyzed values from the scale to the cloud
- Supports long-term efficiency by providing scale and throughput records
- Expandable with support for multiple data points from junction boxes, auxiliary equipment, sensors and IP cameras

Diagnostics

- Enhanced onboard diagnostics identify cell noise, tests for linearity and zero-reference, and monitors drift
- Diagnostics are complemented by a unique load cell emulation feature which compensates for a failing load cell until a repair can be made
- Unmatched reaction time (500 cycles per second) brings accuracy to new levels

Dashboard

- Online portal to monitor scale status in real-time
- Receive alert text and/or emails when scale is outside of programmable tolerances
- Remotely identify service needs and review technician notes
- Hosted on a cloud platform



Specifications

Communication:

Ethernet TCP/IP

Power Connector:

3-pin terminal block (3.5 mm)

Power Supply:

24 V DC ± 6 V DC

Conformity with UL:

Use Class 2 power source, Over-voltage Category II

Current (at 24 V DC):

170 mA (typical)

Operating System:

Security-hardened Linux

Display:

8 LEDs

Real-time Clock:

Capacitor buffered, maximum 7 days backup, maintenance free

Required Accessible Ports:

- http (80)
- https (443)
- MQTT (1883)
- MQTT over SSL (8883)
- AMQP (5672)
- AMQPS (5671)

Environment Protection:

IP20

Ambient Temperature:

Operation: -20 °C to 60 °C
Storage: -40 °C to 85 °C

Humidity:

10% to 95% (95% at 40 °C) RH (non-condensing)

Use:

Indoor

Dimensions:

5.5 × 1.38 × 4.13 in
(140 × 35 × 105 mm)

Weight:

0.89 lb (400 g)

Metal Housing:

DIN top hat rail mount

Approvals:

- UL Nr. E221530 Vol D1
- FCC ID 2ANEG0001
- IC 24152-0001
- KCC No. R-C-HKR-ETP51EN-RE
- UL Japan No. 007-AH0211
- RoHS
- Conformance with EMC Directives: CE Emission EN 55011:2009
- Immunity IEC 61000-6-2/3, EN 61131-2
- Electrostatic discharge (ESD) (air and contact discharge method) EN 61000-4-2
- Fast transient interferences (Burst) EN 61000-4-4
- Surge voltage EN 61000-4-5

Part Numbers/Price

| Part # | Description | Price |
|--------|--|------------|
| 209604 | VIRTUlink secure gateway | \$1,795.00 |
| 215212 | Power supply for VIRTUlink secure gateway, 3 wire AC power and DC hookup 24 VDC cord (12 in) | \$260.00 |
| 215213 | 24 VDC output wall adapter, 100 to 240VAC input, 12W | \$45.50 |
| 211283 | VIRTUlink cloud service contract, annual agreement | \$1,200.00 |

Specifications subject to change without notice.

SOFTWARE SYSTEMS

Thomas Johnson

Customer: Thomas Johnson | Site: Smithville | Location: B5

Load Cell Layout

| | |
|-----------------------|-----------------------|
| Cell 1 1.092694 mV | Cell 3 1.162678 mV |
| Cell 2 1.219877 mV | |

Alert History

| Alert type | Cell Name | Cell Board | Date |
|-----------------|-----------|------------|----------------------|
| Cell Connection | CELL #3 | Primary | 26 Jun 2024 10:16:51 |
| Cell Overload | CELL #3 | Primary | 26 Jun 2024 10:16:51 |
| | | | 26 Jun 2024 10:16:51 |

Thomas Johnson

Customer: Thomas Johnson | Site: Smithville | Location: B1

Load Cell Layout

| | | | |
|-----------------------|-----------------------|-----------------------|-----------------------|
| Cell 1 0.427751 mV | Cell 3 0.425560 mV | Cell 5 0.410715 mV | Cell 7 0.417452 mV |
| 0.419762 mV | Cell 4 0.426398 mV | Cell 6 0.409933 mV | Cell 8 0.414175 mV |

Live Weight: **00 lb** | Last Updated: 25 Sep 2014 11:58:53

Service Notes

| DATE | TITLE | CREATED BY | CELL |
|---|----------------------|------------|------|
| Tuesday, Apr 30, 2024 | Gateway Disconnected | | 1 |
| Gateway disconnected, power off at scale site; maintenance in progress. | | | |
| Wednesday, Oct 25, 2023 | Service Call | | |
| Found mechanical br | | | |

Thomas Johnson

Home

Recent Alerts

- Thursday, Sep 24 2024
 - Gateway Disconnected (Thomas Johnson) - Yard - Truck Scale (24 Sep 2024 16:17:14)
 - Emulation (Thomas Johnson) - Yard - Truck Scale (24 Sep 2024 12:23:05)
 - Cell Overload (Thomas Johnson) - Yard - Truck Scale (24 Sep 2024 12:23:05)
 - Cell Drift (Thomas Johnson) - B5 - J85 - Hopper 85 (24 Sep 2024 09:30:25)

Most Recent Service Notes

- Thursday, Sep 05, 2024
 - Thomas Johnson - Yard - Truck Scale: Load Cell Damage (05 Sep 2024 16:17:14)
- Friday, Mar 22, 2024
 - Thomas Johnson - Yard - Truck Scale: LC4 replaced, scale back in service (22 Mar 2024, 12:50:34)
- Thursday, Jan 25, 2024
 - Thomas Johnson - B5 - J85 - Hopper 85: Replace LC1 (25 Jan 2024, 12:09:32)
 - Thomas Johnson - B5 - J85 - Hopper 85: Emulation LC1 (25 Jan 2024, 12:05:30)

Assets Under Watch

- Thomas Johnson (TJ)/Thomas Johnson Yard - Truck Scale (Contact: Noone 716-472-6731) ✓
- Thomas Johnson B5 - J85 - Hopper 85 (Contact: MMC Shop 802-272-6703) ✓
- Thomas Johnson B5 - J75 - Hopper 75 (Contact: MMC Shop 802-272-6703) ✓

Emulation Mode Load Cells

- Thomas Johnson (TJ)/Thomas Johnson Yard - Truck Scale (Contact: Noone 716-472-6731)

Home Screen for Service Provider



Standard Features

- Specialized PC software makes data entry easy
- Boost product ID storage to nearly limitless potential, and manage as many scales as necessary
- Eliminates front-panel entry of ID parameters
- Quickly program, edit and manage scales and each unique product ID right from your PC
- Stores the details of each transaction for either a single scale or multiple scales
- Collects data as transactions occur and provides detailed transaction and productivity reports
- Allows users to add, edit and access IDs over a network connection
- A supported web browser (Google® Chrome®, Microsoft® Edge®, Mozilla® Firefox® or Apple® Safari®)

REST API designed to:

- Extend reach of WeighVault application
- Gain efficiencies for programmers integrating application specific content
- Enterprise dashboard view points
- Useful weight data related to IDs
- Boost system usage

Part Number/Price

| Part # | Description | Price |
|--------|--|----------|
| 117358 | Software package, WeighVault for CW-90/90X | \$265.00 |
| 125546 | Software package, WeighVault for Counterpart | \$265.00 |

Specifications

Minimum System Specifications:

- CW-90X or Counterpart®
- 800+ MHz Intel® compatible processor
- 1 GB of RAM
- 750 MB hard drive space
- TCP/IP connections to a CW-90, CW-90X or Counterpart

Recommended System Specifications:

- 1.0 GHz Intel compatible processor
- 2 GB of RAM
- 4 GB hard drive space
- Windows® 10 or newer (x64 systems)
- TCP/IP connections to a CW-90, CW-90X or Counterpart

Network Requirements:

- The PC running the WeighVault service must have a static IP address
- Known IP address and subnet of the host PC; if connecting via WLAN, known network SSID and security settings (pass keys and phrases)
- Network policy must allow passwords of six characters

Counterpart Functions Only

Data Registers:

- ID code [32 characters]
- Unit weight [6 places]
- Tare weight [6 places]
- Units field
- Parts name [32 characters]
- Part description [32 characters]
- Lot number [32 characters]
- Location [12 characters]
- Inventory quantity [7 characters]



Reports:

- Part
- Inventory
- Activity
- Location

CW-90/90X Functions Only

Part Fields:

- Product ID [4 characters]
- Two descriptions fields [32 characters each]
- Target
- Tare
- Over
- Under
- Units



Reports:

- Transaction
- Productivity

SOFTWARE SYSTEMS

WinWedge® TAL Software

Wedge Software

SOFTWARE SYSTEMS



Standard Features

- Input scale or instrument data directly into Excel®, Access®, statistical software, LIMS, MMIs, or any Windows® application
- Transfers RS-232 data quickly, accurately and formatted to your exact specifications
- Powerful DDE options for collecting data from multiple devices simultaneously
- Extremely easy to set up and use

WinWedge Pro

Additional Features:

- Support for even the most complex devices and serial I/O with advanced data parsing, filtering, formatting and translation
- RS-232 data collection and I/O support, TCP/IP included with Pro version
- More advanced device control options
- Additional features such as math functions and virtual instrument mode

Part Number/Price

| Part # | Description | Price |
|--------|--|----------|
| 75351 | WinWedge TAL software, 32 Std | \$345.00 |
| 72304 | WinWedge TAL software, 32 Pro, TCP/Wedge | \$575.00 |

Specifications

System Requirements:

- Any Windows PC
- 4 MB of RAM
- 2 MB of hard disk space

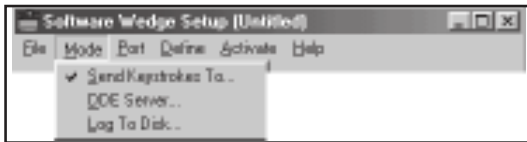
Communications:

WinWedge can collect data on any serial port (RS-232 or RS-485) and even on multiple ports simultaneously. Also supports full device control.

Software Support:

Rice Lake Weighing Systems offers field software support for our software packages. Contact our Service Department for software support. Software support is a chargeable service.

1. Select how you want the data collected:



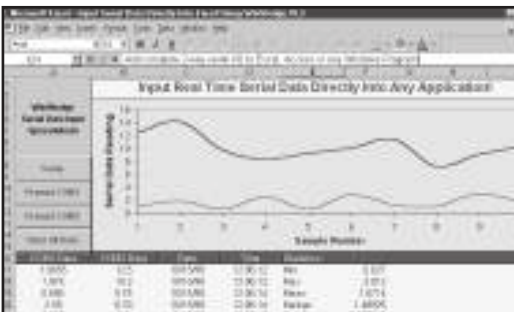
2. Choose the communication parameters for your serial device:



3. Define how you want the serial data to be parsed, filtered, and translated:



4. Activate WinWedge and watch your serial data "pop" into your application:



Vehicle Scales

TABLE OF CONTENTS

| | |
|--|------------|
| SURVIVOR® Truck and Rail Scales | 966 |
| RailBoss® | 967 |
| <i>Full Draft or Double Draft</i> | |
| RoughDeck® AX | 970 |
| <i>Tandem Axle Scale</i> | |
| AX3040 | 971 |
| <i>Tandem Axle Scale</i> | |
| RoughDeck® AX-1 | 972 |
| <i>Axle Scale</i> | |
| Load Ranger | 974 |
| <i>Wireless Wheel Pad Scale</i> | |
| Load Ranger Cart | 976 |
| <i>Transport Cart</i> | |

The following product names, logos, brands and other trademarks featured or referred to within this publication are the property of their respective trademark holders.

SURVIVOR® Truck and Rail Scales

For more information on Rice Lake's full line of SURVIVOR® truck and rail scales, please visit our website at www.ricelake.com or call 800-472-6703 and ask to speak with a heavy capacity team member.



Truck Scales:

www.ricelake.com/survivor

SURVIVOR OTR

Heavy-duty, top access, concrete or steel deck scales

SURVIVOR OTR-LP

Heavy-duty, steel deck, low profile scale for existing foundations

SURVIVOR OTR-XV

Extreme duty, top access, concrete or steel deck scales

SURVIVOR ATV

Heavy or extreme duty, top access portable steel deck scales

SURVIVOR SR

Heavy-duty, low profile, concrete or steel deck siderail scales

SURVIVOR PT

Heavy-duty, pit-type, concrete or steel deck scales

SURVIVOR Multi-Platform

SURVIVOR ATV-M

Portable, self-contained levertronic, steel deck scales

SURVIVOR PT-M

Pit-type, levertronic, concrete deck scales

Rail Scales:

www.ricelake.com/railscales

SURVIVOR RT

Pit-type, rail/truck combination scales

SURVIVOR PL

Low profile, pitless scales

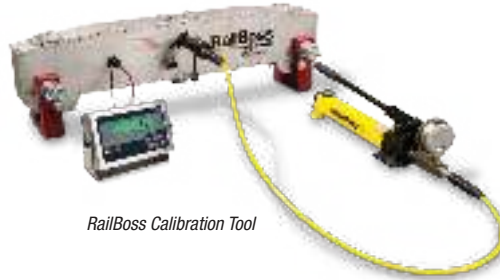
RailBoss®

Full- or double-draft rail scales

VEHICLE SCALES



* Non-Legal for Trade



RailBoss Calibration Tool

Approvals



Part Number/Price

| Part # | Description | Est. Weight | Price |
|-------------------------------------|--|-------------|-------------|
| Kits | | | |
| 164748 | RailBoss assembly kit, full draft, 90 RA rail V2 | 2,280 lb | \$40,900.00 |
| 164749 | RailBoss assembly kit, double draft, 90 RA rail V2 | 1,150 lb | \$20,400.00 |
| 193391 | RailBoss assembly kit, full draft, 100 ARAA | 2,500 lb | \$41,100.00 |
| 193390 | RailBoss assembly kit, double draft, 100 ARAA | 1,100 lb | \$20,500.00 |
| 215172 | RailBoss assembly kit, full draft, 100 ARAA | 2,300 lb | \$46,000.00 |
| 188023 | RailBoss assembly kit, double draft, 100 AREA | 1,100 lb | \$21,500.00 |
| 162515 | RailBoss assembly kit, full draft, 115 RE rail V2 | 2,550 lb | \$41,100.00 |
| 162516 | RailBoss assembly kit, double draft, 115 RE rail V2 | 1,275 lb | \$20,500.00 |
| 164752 | RailBoss assembly kit, full draft, 132 RE rail V2 | 2,800 lb | \$41,500.00 |
| 164753 | RailBoss assembly kit, double draft, 132 RE rail V2 | 1,400 lb | \$20,800.00 |
| 194678 | RailBoss assembly kit, full draft, 133 AREA | 2,900 lb | \$41,500.00 |
| 194679 | RailBoss assembly kit, double draft, 133 AREA | 1,450 lb | \$20,800.00 |
| 169763 | RailBoss assembly kit, full draft, 136 AREA | 3,000 lb | \$43,600.00 |
| 169762 | RailBoss assembly kit, double draft, 136 AREA | 1,500 lb | \$21,900.00 |
| Single Rail Gauge Assemblies | | | |
| 164750 | RailBoss 90 lb gauge assembly V2 (does not include cable) | 290 lb | \$5,400.00 |
| 193389 | RailBoss 100 ARAA gauge assembly V2 (does not include cable) | 300 lb | \$5,400.00 |
| 188013 | RailBoss 100 ARAA gauge assembly V2 (does not include cable) | 320 lb | \$5,400.00 |
| 162517 | RailBoss 115 AREA gauge assembly V2 (does not include cable) | 320 lb | \$5,400.00 |
| 164754 | RailBoss 132 AREA gauge assembly V2 (does not include cable) | 350 lb | \$5,400.00 |
| 194677 | RailBoss 133 AREA gauge assembly V2 (does not include cable) | 370 lb | \$5,400.00 |
| 169761 | RailBoss 136 AREA gauge assembly V2 (does not include cable) | 390 lb | \$5,400.00 |

NOTE: Instrumentation with RailBoss software must be ordered separately and is not included with the RailBoss assembly kit

Standard Features

- 80,000 lb axle capacity
- 320,000 lb full scale capacity
- 40,000 lb rail section capacity
- 90 RA, 100 ARA-A, 115 RE, 132 RE, 133 RE or 136 RE rail sections
- 5 ft 10 in rail sections, pre-drilled for joint bars
- Quick-disconnect cable connection with MS style connector

Full Draft Package Includes

- (8) 5 ft 10 in rail sections
- 30 ft of connecting cable per rail section
- Pre-drilled joint bars with connection hardware
- (2) Rice Lake junction boxes with transient protection
- 30 ft of homerun cable

Double Draft Package Includes

- (4) 5 ft 10 in rail sections
- 30 ft of connecting cable per rail section
- Pre-drilled joint bars with connection hardware
- (1) Rice Lake junction box with transient protection
- 30 ft of homerun cable

Optional Features

- Custom rail sizes are available
- 1280 Enterprise™ Series indicator with RailBoss software for full-draft or double-draft applications*
- 920i® indicator with RailBoss software for full-draft or double-draft applications*
- Custom cable lengths

*Non-Legal for Trade

Calibration Unit

Standard Features

- 482 Legend Series indicator
- Attachment hardware for 90 RA, 115RE and 132RE rail

Specifications

Load Cells:

40,000 lb

Accuracy:

= 0.25% error typical, interchangeable with other gauged rail products

Full Scale Output:

0.8 mV/V ± 0.2%

Input Resistance:

765 ± 5 ohm

Output Resistance:

700 ± 5 ohm

Full Scale Capacity:

320,000 lb

Axle Capacity:

80,000 lb

Warranty:

Two-year limited

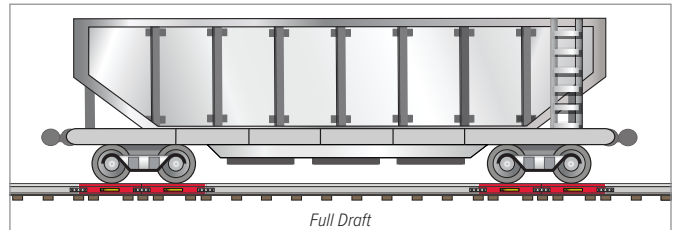
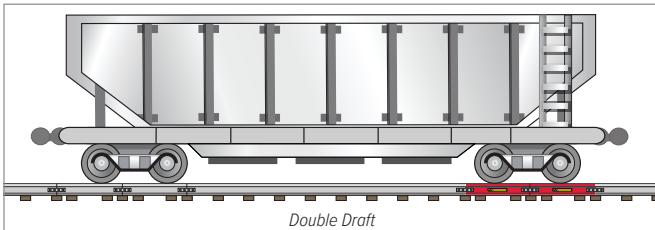
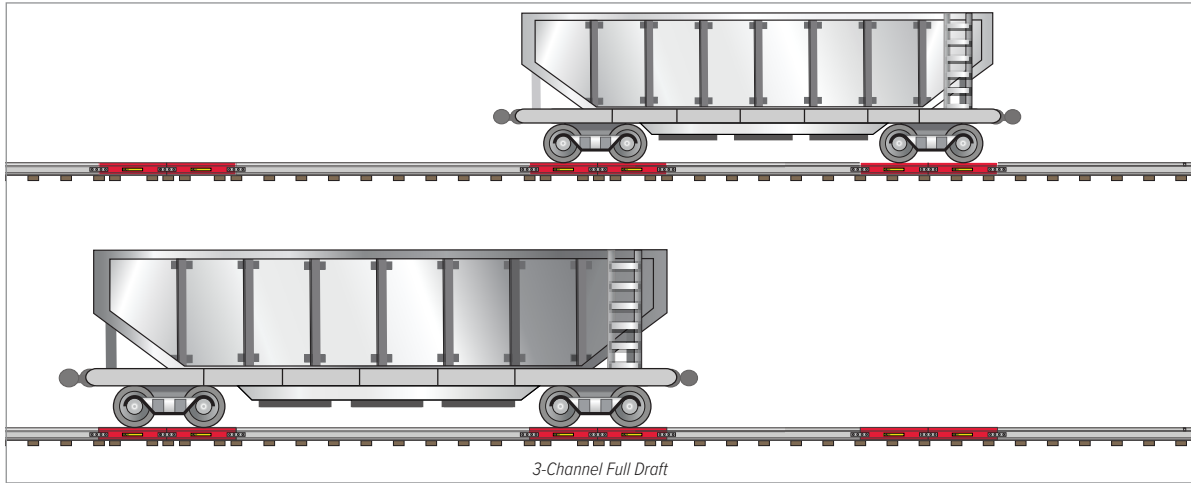
Intrinsic Safety:

cMus
Class I, II, III, Division 1, Groups ABCDEFG
T4

Part Number/Price

| Part # | Description | Est. Weight | Price |
|------------------------------|--|-------------|-------------|
| Instrumentation | | | |
| 119073 | Single-channel 920i® indicator double draft with RailBoss software | 10 lb | \$3,395.00 |
| 119072 | Dual-channel 920i® indicator full draft with RailBoss software | 10 lb | \$3,545.00 |
| 126304 | Three-channel 920i® indicator full draft with RailBoss software | 10 lb | \$3,940.00 |
| 190949 | Single-channel 1280 indicator double draft with RailBoss software | 11 lb | \$3,850.00 |
| 190951 | Dual-channel 1280 indicator full draft with RailBoss software | 11 lb | \$4,050.00 |
| 190952 | Three-channel 1280 indicator full draft with RailBoss software | 11 lb | \$4,525.00 |
| Hardware | | | |
| 126391 | 90 RA 24 in short toe joint bar set, 4 sets required (2 bars with bolts and nuts) | 40 lb | \$1,350.00 |
| 129620 | 100 RE short toe joint bar set, 4 sets required (2 bars with bolts and nuts) | 58 lb | \$1,225.00 |
| 193468 | 100 ARAA short tow joint bar set, 4 sets required (2 bars with bolts and nuts) | 45 lb | \$1,225.00 |
| 126389 | 115 RE 24 in short toe joint bar set, 4 sets required (2 bars with bolts and nuts) | 50 lb | \$1,050.00 |
| 126390 | 132 RE 24 in short toe joint bar set, 4 sets required (2 bars with bolts and nuts) | 60 lb | \$1,225.00 |
| 194674 | 133 AREA short tow joint bar set, 4 sets required (2 bars with bolts and nuts) | 70 lb | \$1,225.00 |
| 126390 | 136 AREA short tow joint bar set, 4 sets required (2 bars with bolts and nuts) | 80 lb | \$1,225.00 |
| 126111 | 90 RA isolation joint bar set, 4 sets required (2 bars with bolts and nuts) | 40 lb | \$1,225.00 |
| 112702 | 115 RE isolation joint bar set, 4 sets required (2 bars with bolts and nuts) | 50 lb | \$1,225.00 |
| 119771 | 132 RE isolation joint bar set, 4 sets required (2 bars with bolts and nuts) | 60 lb | \$1,225.00 |
| 194673 | 133 AREA isolation joint bar set, 4 sets required (2 bars with bolts and nuts) | 70 lb | \$1,225.00 |
| 194344 | 136 AREA isolation joint bar set, 4 sets required (2 bars with bolts and nuts) | 80 lb | \$1,225.00 |
| 198086 | 100 RA isolation joint bar set, 4 sets required (2 bars with bolts and nuts) | - | \$1,225.00 |
| 163004 | 30 ft interface cable | - | \$625.00 |
| 164873 | 60 ft interface cable | - | \$775.00 |
| 164874 | 100 ft interface cable | - | \$1,050.00 |
| 188909 | Adapter cable from AWT Weighline to Rice Lake RailBoss | - | \$650.00 |
| Calibration Equipment | | | |
| 115564 | RailBoss calibration/test unit | 300lb | \$12,900.00 |
| 119068 | RailBoss calibration/test until rental (one week) | 300lb | \$800.00 |
| 208171 | Coupler, flush face, no drip for Enerpac FR400 pump | - | \$425.00 |

NOTE: Instrumentation with RailBoss software must be ordered separately and is not included with the RailBoss assembly kit.



VEHICLE SCALES

02:41 PM 10/15/2024

FULL DRAFT Change Rail Car

Scale 1 Scale 2

5000 lb 7500 lb

Press Capture Button

12500 lb Gross
0 lb Tare
12500 lb Net

Capture

Return to Weigh Screen

Full-draft RailBoss software display with a 1280 indicator

10/15/2024 11:32AM SCALE #1

Scale #1 Scale #2

100050 97000

197050 lb Gross

Rail Truck #1: 100050 lb 98000 lb Tare

Rail Truck #2: 97000 lb 99050 lb Net

Ticket Printed - Exit Scale

Double Draft Reprint

Double-draft RailBoss software display with a 920i indicator

RoughDeck® AX

Tandem Axle Scale



Standard Features

- System includes two platforms with anchor brackets and four on/off ramps with anchor tabs (anchor bolts not included)

Scale

- (L x W x H): 84 x 32 x 6 in
- Axle capacity, tandem platforms: 60,000 lb (two scales 30,000 lb each)
- Includes (2) 3/4-10 NC eye bolts for lifting scale during installation
- Contains four environmentally sealed, IP67 20,000 lb single-ended shear beam load cells per platform
- Treaded top plate with side access junction box
- JB4SS TuffSeal® signal trim junction box
- Top access foot adjustment holes
- Carbon steel captured ball feet
- 20 ft SURVIVOR® EL147HE cable
- Non-Legal for Trade

Ramps

- (L x W x H) 60 x 32 x 6 in
- Treaded top plate

Specifications

End Loading Capacity:

133% full scale at 30,000 lb

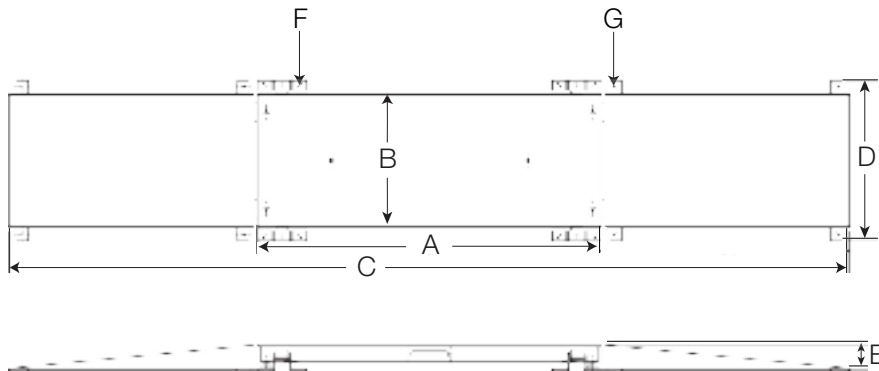
Warranty:

Load cells: Two-years

All other components: One-year limited

Part Number/Price

| Part # | Description | Dimensions (L x W x H) | Est. Weight | Price |
|--------|----------------------------|------------------------|-------------|-------------|
| 107637 | 60,000 lb (30,000 lb each) | 84 x 32 x 6 in | 3,600 lb | \$16,500.00 |



Dimensions

| RoughDeck AX | |
|--------------|-----------|
| A | 84.00 in |
| B | 32.00 in |
| C | 205.50 in |
| D | 38.75 in |
| E | 6.00 in |
| F | 1.00 in |
| G | 0.75 in |

Note: 1 in = 25.4 mm



VEHICLE SCALES



Standard Features

Scales

- Sizes: 7 ft, 12 ft and 14 ft lengths
- Construction: Steel or aluminum
- Axle capacity, tandem platforms: 60,000 or 80,000 lb (30,000 or 40,000 lb each)
- Includes (4) 5/8-11 NC eye bolts for lifting scale during installation
- Contains two load cells per platform
- Treaded top plate with four lifting eyes
- JB4SS TuffSeal® signal trim junction box
- 10 ft EL146HE Interconnect cable with MS-type connectors to go between weigh pads
- 50 ft EL147HE cable to connect weigh pad to indicator
- Non-Legal for Trade

Ramps

- Ramps: (L × W) 7 ft and 12 ft scales: 5.63 × 32.00 in, 14 ft scale: 5.75 × 32.00 in
- Steel or aluminum
- Anchor bolts not included

Specifications

Construction:

Steel or aluminum

Accuracy:

±3%

End Loading Capacity:

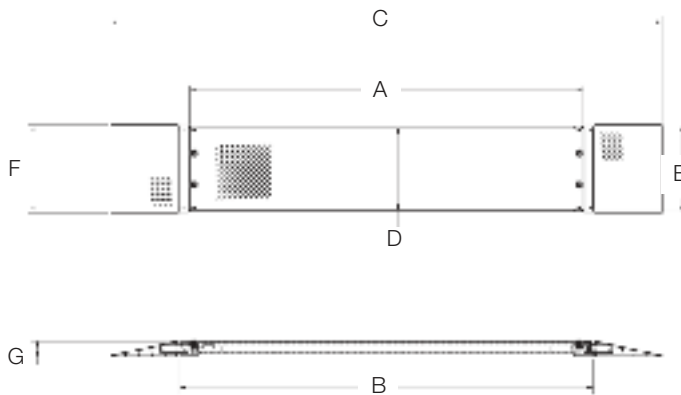
133% full scale at 30,000 lb
100% full scale at 40,000 lb

Warranty:

One-year limited

Part Number/Price

| Part # | Description | Dimensions (L × W × H) | Est. Weight | Price |
|--|--|--------------------------|-------------|-------------|
| Steel Construction - Painted Black 2 Scales with Connecting Cables and 4 Ramps | | | | |
| 112330 | 60,000 lb (30,000 lb each) | 7 ft × 2.5 ft × 5.63 in | 2,500 lb | \$14,850.00 |
| 111748 | 80,000 lb (40,000 lb each) | 12 ft × 2.5 ft × 5.63 in | 4,400 lb | \$17,580.00 |
| 112328 | 80,000 lb (40,000 lb each) | 14 ft × 2.5 ft × 5.75 in | 5,200 lb | \$23,325.00 |
| Steel Construction - Painted Black 2 Scales with Connecting Cables, Without Ramps | | | | |
| 204097 | 60,000 lb (30,000 lb each) | 7 ft × 2.5 ft × 5.63 in | 2,500 lb | \$12,450.00 |
| 204099 | 80,000 lb (40,000 lb each) | 12 ft × 2.5 ft × 5.63 in | 4,400 lb | \$15,180.00 |
| 204100 | 80,000 lb (40,000 lb each) | 14 ft × 2.5 ft × 5.75 in | 5,200 lb | \$20,925.00 |
| Aluminum Construction - Glass Beaded 2 Scales with Connecting Cables and 4 Ramps | | | | |
| 112329 | 60,000 lb (30,000 lb each) | 7 ft × 2.5 ft × 5.63 in | 1,250 lb | \$17,485.00 |
| Aluminum Construction - Glass Beaded with Connecting Cables, Without Ramps | | | | |
| 204101 | 60,000 lb (30,000 lb each) | 7 ft × 2.5 ft × 5.63 in | 1,250 lb | \$14,645.00 |
| Ramps with Hardware (Qty. 2) | | | | |
| 204102 | (2) Ramps steel construction - painted black with hardware | | | \$1,200.00 |
| 204103 | (2) Ramps aluminum construction - glass beaded with hardware | | | \$1,420.00 |



Dimensions

| AX3040 | | |
|----------------------|-----------|------------|
| 7 ft steel | | |
| A | 83.60 in | E 31.00 in |
| B | 90.90 in | F 32.00 in |
| C | 141.25 in | G 5.63 in |
| D | 30.00 in | |
| 12 ft steel | | |
| A | 143.60 in | E 31.00 in |
| B | 150.90 in | F 32.00 in |
| C | 201.2 in | G 5.63 in |
| D | 30.00 in | |
| 14 ft steel | | |
| A | 167.60 in | E 31.00 in |
| B | 174.90 in | F 32.00 in |
| C | 225.25 in | G 5.75 in |
| D | 30.00 in | |
| 7 ft aluminum | | |
| A | 83.60 in | E 31.00 in |
| B | 90.90 in | F 32.00 in |
| C | 141.25 in | G 5.63 in |
| D | 30.00 in | |

Note: 1 in = 25.4 mm

RoughDeck® AX-1

Axle Scale



Standard Features

- Sizes: 7.5 ft, 9.5 ft or 11.5 ft lengths
- Capacity: 50,000 lb
- Includes (2) 1-8 NC eye bolts
- Contains four environmentally sealed, IP67, 20,000 lb single-ended load cells
- Treaded top plate
- JB4SS TuffSeal® signal trim top access junction box
- Top access foot adjustment holes
- Carbon steel captured ball feet
- 20 ft SURVIVOR® EL147HE cable
- Non-Legal for Trade

Options:

- Ramps: 10 x 4 ft, treaded top plate
- Scale frame

Specifications

End Loading Capacity:

80% full scale at 50,000 lb

Warranty:

Load cells: Two-years

All other components: One-year limited

Part Number/Price

| Part # | Dimensions (L x W x H) | Capacity | Est. Weight | Price |
|--|-----------------------------|-----------|-------------|-------------|
| Scale only | | | | |
| 169649 | 7.5 ft x 9.6 ft x 6.0 in | 50,000 lb | 3,350 lb | \$16,550.00 |
| 169650 | 9.5 ft x 9.6 ft x 6.0 in | 50,000 lb | 4,150 lb | \$18,630.00 |
| 169651 | 11.5 ft x 9.6 ft x 6.0 in | 50,000 lb | 5,500 lb | \$20,700.00 |
| Scale, bundled with scale frame | | | | |
| 169645 | 8.0 ft x 10.1 ft x 6.75 in | 50,000 lb | 4,350 lb | \$19,035.00 |
| 169647 | 10.0 ft x 10.1 ft x 6.75 in | 50,000 lb | 5,400 lb | \$21,580.00 |
| 169648 | 12.0 ft x 10.1 ft x 6.75 in | 50,000 lb | 7,000 lb | \$25,610.00 |

Options/Accessories

| Part # | Dimensions (L x W x H) | Est. Weight | Price |
|--------------------------------------|-----------------------------|-------------|------------|
| Scale frame only | | | |
| 169652 | 8.0 ft x 10.1 ft x 6.75 in | 1,000 lb | \$2,900.00 |
| 169653 | 10.0 ft x 10.1 ft x 6.75 in | 1,250 lb | \$3,365.00 |
| 169654 | 12.0 ft x 10.1 ft x 6.75 in | 1,500 lb | \$5,325.00 |
| Ramp, attaches to scale frame | | | |
| 169655 | 10 x 4 ft, single ramp | 1,600 lb | \$3,375.00 |
| 169656 | 10 x 4 ft, ramp set | 3,200 lb | \$6,750.00 |
| Ramp, attaches to scale | | | |
| 169657 * | 10 x 4 ft, single ramp | 1,675 lb | \$3,375.00 |
| 169658 | 10 x 4 ft, ramp set | 3,350 lb | \$6,750.00 |

*Consult factory for quote on riser plate for opposite end of scale.

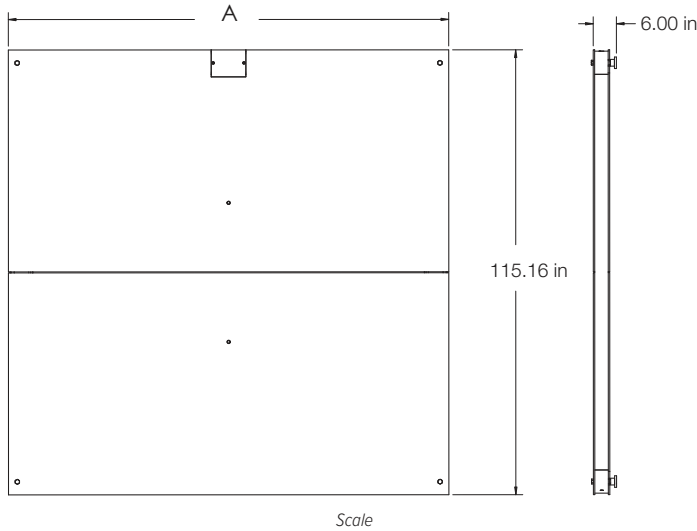


Scale shown with optional ramps

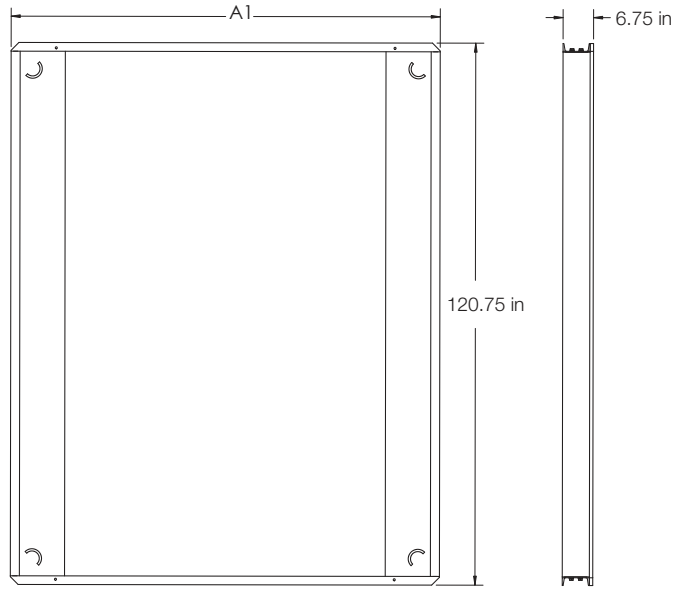
VEHICLE SCALES

RoughDeck® AX-1

Axle Scale



Scale



Scale frame

Dimensions

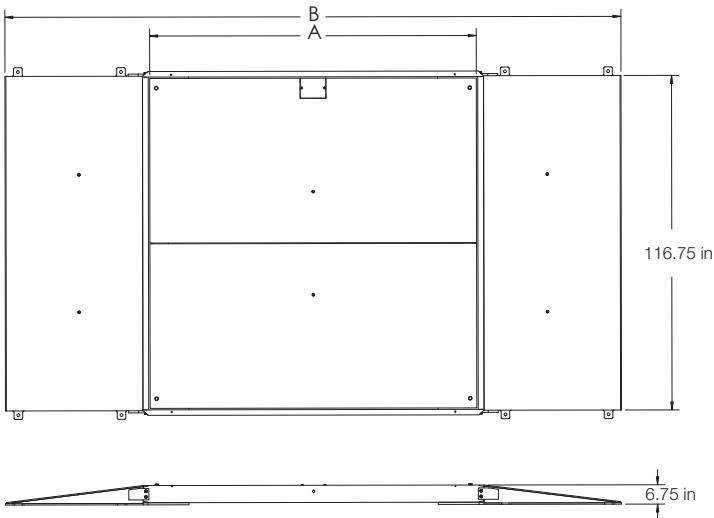
| RoughDeck AX-1 | |
|----------------|-----------|
| PN 169649 | |
| A | 90.00 in |
| PN 169650 | |
| A | 114.00 in |
| PN 169651 | |
| A | 138.00 in |

Note: 1 in = 25.4 mm

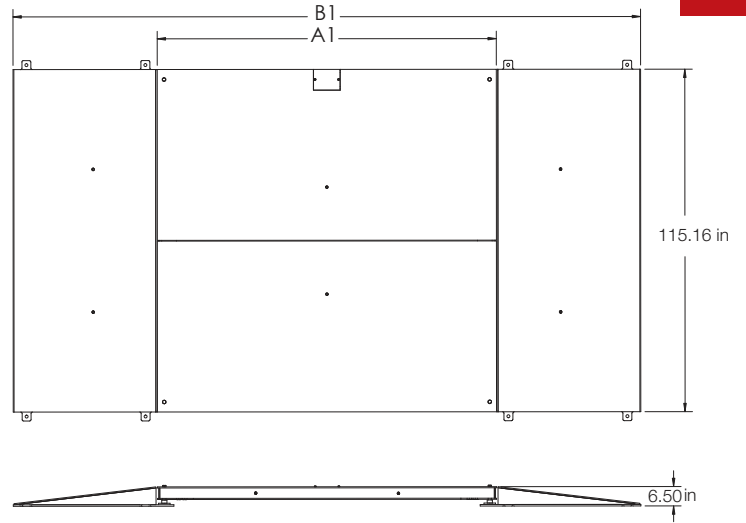
| | |
|-----------|-----------|
| PN 169652 | |
| A1 | 95.75 in |
| PN 169653 | |
| A1 | 119.75 in |
| PN 169654 | |
| A1 | 143.75 in |

Note: 1 in = 25.4 mm

VEHICLE SCALES



Scale in scale frame with ramps



Scale with ramps

| | | | |
|-----------|-----------|---|-----------|
| PN 169645 | | | |
| A | 90.00 in | B | 191.75 in |
| PN 169647 | | | |
| A | 114.00 in | B | 215.75 in |
| PN 169648 | | | |
| A | 138.00 in | B | 239.75 in |

Note: 1 in = 25.4 mm

| | | | |
|-----------|-----------|----|-----------|
| PN 169649 | | | |
| A1 | 90.00 in | B1 | 187.00 in |
| PN 169650 | | | |
| A1 | 114.00 in | B1 | 211.00 in |
| PN 169651 | | | |
| A1 | 138.00 in | B1 | 235.00 in |

Note: 1 in = 25.4 mm

Load Ranger

Wireless Wheel Pad Scale



Part Number/Price

| Part # | Description | Est. Weight | Price |
|--------|---|-------------|------------|
| 212108 | Remote indicator with integrated printer in carrying case | 15 lb | \$2,200.00 |

| Part # | Size (W × L × H), Capacity | Est. Weight | Price |
|-----------------------|---|-------------|------------|
| RF-MD 2.4 GHz | | | |
| 212096 | 1 ft 10 in × 1 ft 8 in × 2.28 in, 3,300 × 1 lb | 40 lb | \$2,295.00 |
| 212097 | 1 ft 10 in × 1 ft 8 in × 2.28 in, 6,600 × 2 lb | 40 lb | \$2,295.00 |
| 212098 | 1 ft 10 in × 1 ft 8 in × 2.28 in, 13,200 × 5 lb | 40 lb | \$2,295.00 |
| 212099 | 1 ft 10 in × 1 ft 8 in × 2.28 in, 22,000 × 10 lb | 40 lb | \$2,495.00 |
| 212100 | 1 ft 10 in × 1 ft 8 in × 2.28 in, 33,000 × 10 lb | 40 lb | \$2,495.00 |
| RF-WD 2.4 GHz | | | |
| 212101 | 2 ft 6 in × 1 ft 10 in × 2.28 in, 13,200 × 5 lb | 65 lb | \$2,875.00 |
| 212102 | 2 ft 6 in × 1 ft 10 in × 2.28 in, 22,000 × 10 lb | 65 lb | \$2,875.00 |
| 212103 | 2 ft 6 in × 1 ft 10 in × 2.28 in, 33,000 × 10 lb | 65 lb | \$2,875.00 |
| 212835 | 2 ft 6 in × 1 ft 10 in × 2.28 in, 22,000 × 20 lb (NTEP Class III) | 65 lb | \$3,520.00 |
| RF-XWD 2.4 GHz | | | |
| 212104 | 3 ft 1 in × 2 ft × 2.28 in, 13,200 × 5 lb | 105 lb | \$3,520.00 |
| 212105 | 3 ft 1 in × 2 ft × 2.28 in, 22,000 × 10 lb | 105 lb | \$3,520.00 |
| 212106 | 3 ft 1 in × 2 ft × 2.28 in, 33,000 × 10 lb | 105 lb | \$3,520.00 |
| 212107 | 3 ft 1 in × 2 ft × 2.28 in, 44,000 × 20 lb | 105 lb | \$3,520.00 |

Options/Accessories

| Part # | Description | Price |
|--------|---|----------|
| 190916 | RS-485 cable used to connect wheel pad directly to indicator | \$195.00 |
| 188744 | RS-485 cable, 10 m, used in a 7 pad or more hybrid-wireless system to join two pads together (for use with Bluetooth versions of Load Ranger pads only) | \$195.00 |
| 181881 | Aluminum ramp for Load Ranger MD models (single ramp only) | \$280.00 |
| 181882 | Aluminum ramp for Load Ranger WD models (single ramp only) | \$310.00 |
| 181883 | Aluminum ramp for Load Ranger XWD models (single ramp only) | \$340.00 |
| 182053 | Printer paper roll, 57 mm x 30 mm, 12 mm core 51 mm OD | \$3.00 |
| 185064 | Load Ranger wheel pad charger, 110 VAC version with US plug | \$130.00 |
| 192591 | Load Ranger Ai-1 remote indicator power adapter, 120-230 VAC version with US plug | \$95.00 |
| 212110 | Load Ranger wheel pad 2.4 GHz radio upgrade kit | \$550.00 |
| 212111 | Load Ranger Ai-1 remote indicator 2.4 GHz radio upgrade kit | \$550.00 |

Note: Bluetooth models are discontinued,
2.4 GHz models are not compatible with discontinued Bluetooth models without upgrade kits.

Standard Features

- Up to 16 individual pads communicate wireless to the indicator
- Industrial RF radio module to communicate with optional indicator
- Integrated wheels and nonslip rubber under platform
- Internal rechargeable battery with 40 hours of battery life
- Built-in indicator on each scale with 1 in character display
- IP67 rating
- Cover plate protects built-in indicator

Optional Remote Indicator with Integrated Printer in Carrying Case

- ABS carrying case: 1 ft × 1 ft 6 in × 7 in
- Backlit graphic display with touchscreen technology
- Internal battery with 10 hours of battery life
- Real-time clock
- Permanent data storage
- Direct thermal receipt printer

Wheel Weighing Software

- Multi-scale function mode weighs with up to 16 individual pads (eight sets)
- Static axle weighing function, up to two channels
- Calculation of center of gravity
- Semi-automatic and preset tare
- Selection of displayed data on LCD touchscreen
- 1,000 field database
- Print and display list of last 3,500 vehicles

Options/Accessories

- Leveling modules
- Aluminum ramps
- NTEP Class III (*Select sizes and capacities only, consult factory for more information*)

Specifications

Power:

Battery: Rechargeable, approximately 40 hour life
AC: uL approved wall adapter

Display:

1 in character display on each scale

System Accuracy:

0.05% of rated capacity

Communication:

Wireless 2.4 GHz

Construction:

Aluminum alloy

Temperature:

Operating:
14 °F to 104 °F (-10 °C to 40 °C)

Storage:
-4 °F to 140 °F (-20 °C to 60 °C)

Effective Wireless Communication Range:

Up to 160 ft (50 m) line of sight typical

Warranty:

Two-year limited

Approvals:

NTEP 20-003P Class III

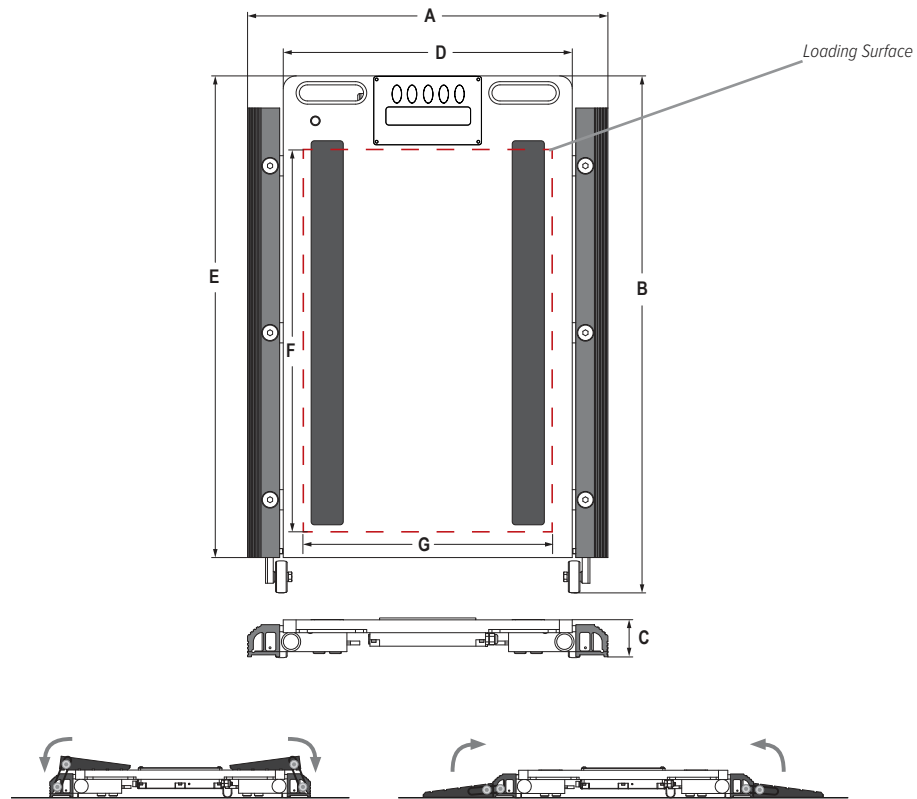


NTEP Class III approved for law enforcement.

Dimensions

| Platform | | | |
|----------|---------------------|---------------------|--------------------|
| | RF-MD | RF-WD | RF-XWD |
| A | 1 ft 8 in (511 mm) | 1 ft 10 in (564 mm) | 2 ft (611 mm) |
| B | 2 ft (611 mm) | 2 ft 8 in (813 mm) | 3 ft 3 in (991 mm) |
| C | 2.28 in (58 mm) | 2.28 in (58 mm) | 2.28 in (58 mm) |
| D | 1 ft 4 in (406 mm) | 1 ft 6 in (457 mm) | 1 ft 8 in (511 mm) |
| E | 1 ft 10 in (564 mm) | 2 ft 6 in (750 mm) | 3 ft 1 in (950 mm) |

| Loading Surface | | | |
|-----------------|--------------------|---------------------|--------------------|
| | RF-MD | RF-WD | RF-XWD |
| F | 1 ft 3 in (381 mm) | 1 ft 11 in (584 mm) | 2 ft 5 in (737 mm) |
| G | 1 ft 4 in (406 mm) | 1 ft 6 in (457 mm) | 1 ft 8 in (511 mm) |



Optional aluminum ramps

VEHICLE SCALES

Load Ranger Cart

Transport Cart



Standard Features

- Can hold up to four, six or eight Load Ranger wheel pads (with or without optional ramps) and one Load Ranger remote indicator case
- Two swivel, locking casters and two rigid casters to insure the safety of the scales during transit
- Painted mild steel
- Bottom surface, heavy duty plastic to offer scratch resistance for Load Rangers
- Integrated forklift channels
- Cam latch closures
- AC power strip, US plug

Specifications

Warranty:

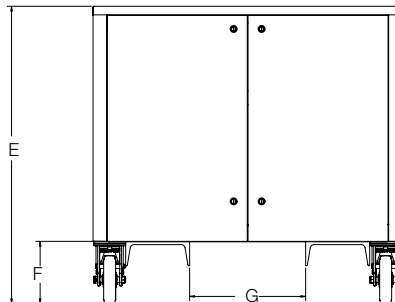
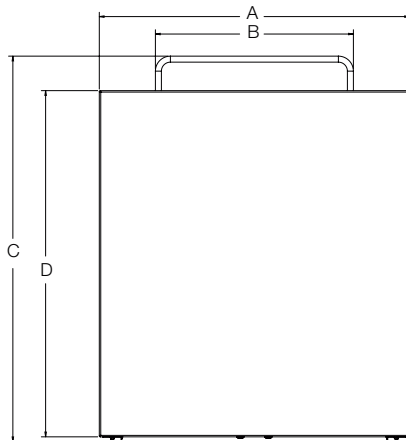
One-year limited

Part Number/Price

| Part # | Description | Price |
|--------|---|------------|
| 225058 | Load Ranger transport cart for up to 4 Load Ranger wheel pads | \$3,995.00 |
| 203078 | Load Ranger transport cart for up to 6 Load Ranger wheel pads | \$4,595.00 |
| 221488 | Load Ranger transport cart for up to 8 Load Ranger wheel pads | \$5,595.00 |

Dimensions

| Load Ranger Cart, 4 Bay | | | |
|-------------------------|---------------------|---|-------------------|
| A | 31.80 in (808 mm) | E | 37.17 in (944 mm) |
| B | 24.75 in (629 mm) | F | 7.80 in (198 mm) |
| C | 47.87 in (1,216 mm) | G | 9.26 in (235 mm) |
| D | 43.50 in (1,105 mm) | | |
| Load Ranger Cart, 6 Bay | | | |
| A | 40.80 in (1,036 mm) | E | 37.17 in (944 mm) |
| B | 24.75 in (629 mm) | F | 7.80 in (198 mm) |
| C | 47.87 in (1,216 mm) | G | 16.25 in (413 mm) |
| D | 43.50 in (1,105 mm) | | |
| Load Ranger Cart, 8 Bay | | | |
| A | 50.30 in (1,278 mm) | E | 37.17 in (944 mm) |
| B | 24.75 in (629 mm) | F | 7.80 in (198 mm) |
| C | 47.87 in (1,216 mm) | G | 25.75 in (654 mm) |
| D | 43.50 in (1,105 mm) | | |



VEHICLE SCALES

You Call. We Answer.

2 4 / 7 / 3 6 5

Every Time.

Your service doesn't stop when the office is closed, and neither does ours—call us anytime to speak with an industry expert. Rice Lake's on-call team is ready to answer questions and provide technical support, even on nights, weekends and holidays when our office is closed.

Emergency Contact Information

Call 800-472-6703 and press 1 to reach on-call personnel
outside of our normal business hours.

**No challenge is too big or too small.
When you need support, rely on Rice Lake.**

RICE LAKE[®]
WEIGHING SYSTEMS

800-472-6703 | prodinfo@ricelake.com
www.ricelake.com

Over 40,000 weighing products and
3,000,000 parts distributed worldwide.

AMERICAS

Corporate Headquarters
RICE LAKE, WISCONSIN

Jasper, Alabama
Fernley, Nevada
Kent, Washington
Concord, California
Newtown, Connecticut
Charlestown, Massachusetts
Monterrey, Mexico
Panama Pacifico, Panama

EUROPE

Modena, Italy
Milan, Italy
Farnham, United Kingdom
Heteren, The Netherlands
Paris, France
Barcelona, Spain

ASIA

Shanghai, China
Chennai, India
Indore, India

OCEANIA

Sydney, Australia



Emergency Contact Information

Call 800-472-6703 and press 1 to reach on-call personnel outside of our normal business hours.

Extended Business Hours

Monday through Friday from 6:30 a.m. to 6:30 p.m.
Saturday from 8:00 a.m. to 12:00 p.m. Central Time

RICE LAKE[®]
WEIGHING SYSTEMS

CORPORATE OFFICE

230 W. Coleman Street, Rice Lake, WI 54868 USA
USA: 800-472-6703 | Direct: 715-234-9171 | Fax: 715-234-6967
Canada and Mexico: +1-800-321-6703 | Europe: +39 0536 843418
China: +86 21 66314055 | International Direct: +1-715-234-9171